



# Opaque Fiberglass Door

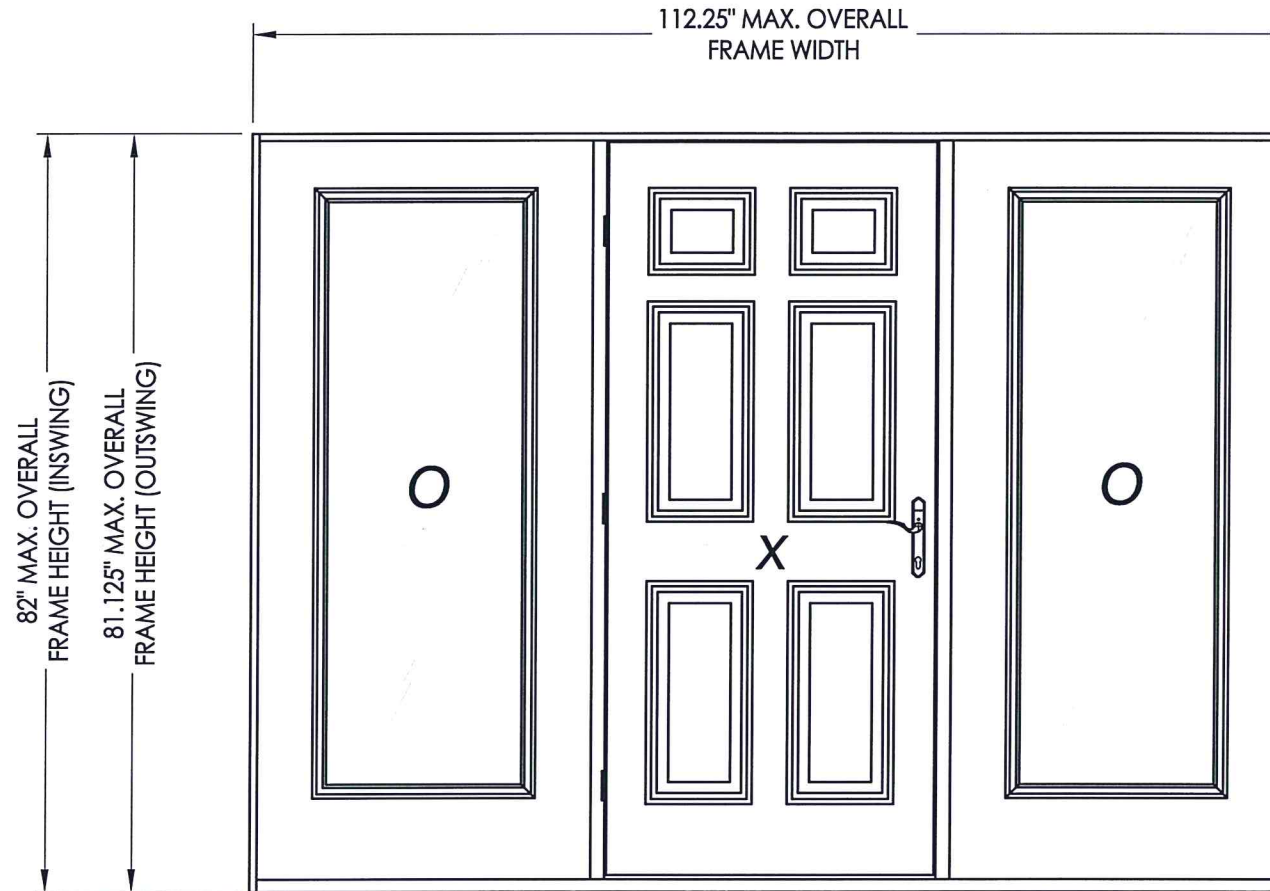
"NON-IMPACT"  
IN SWING / OUT SWING

**EVALUATED FOR USE IN THE STATE OF TEXAS**

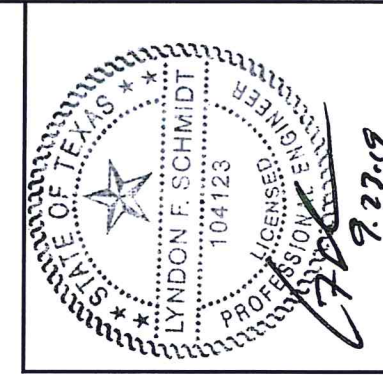
The Fiberglass Door system described herein complies with the 2018 International Residential Code (IRC), Sections R301 & R609 and the 2018 International Building Code (IBC), Sections 1404.13, 1609, 1709.5, 2403 and 2404 subject to the following conditions:

1. Anchors shall be as listed and spaced as shown in the details. Anchor embedment to base material shall be beyond wall dressing or stucco.
2. When used in areas requiring wind-borne debris protection this product is required to be protected with an impact resistant covering that complies with Section R301.2.1.2 of the IRC and Section 1609.2 of the IBC.
3. Allowable design pressure requirements must be equal to or less than the design pressure rating shown in the design pressure chart, sheet 1 of this drawing.
4. Conditions not covered by this drawing are subject to further engineering analysis.

TABLE OF CONTENTS	
SHEET #	DESCRIPTION
1	Typical elevations, design pressures & general notes
2	Door panel details
3	Slidelite panel details (lip lite insert glazing)
4	Horizontal cross sections
5	Vertical cross sections
6	Vertical cross sections
7	Frame anchoring



CONFIG.	MODEL	DESIGN PRESSURE (PSF)	
		POSITIVE	NEGATIVE
OXO	IN SWING	+50.0	-50.0
OXO	OUT SWING	+45.0	-45.0

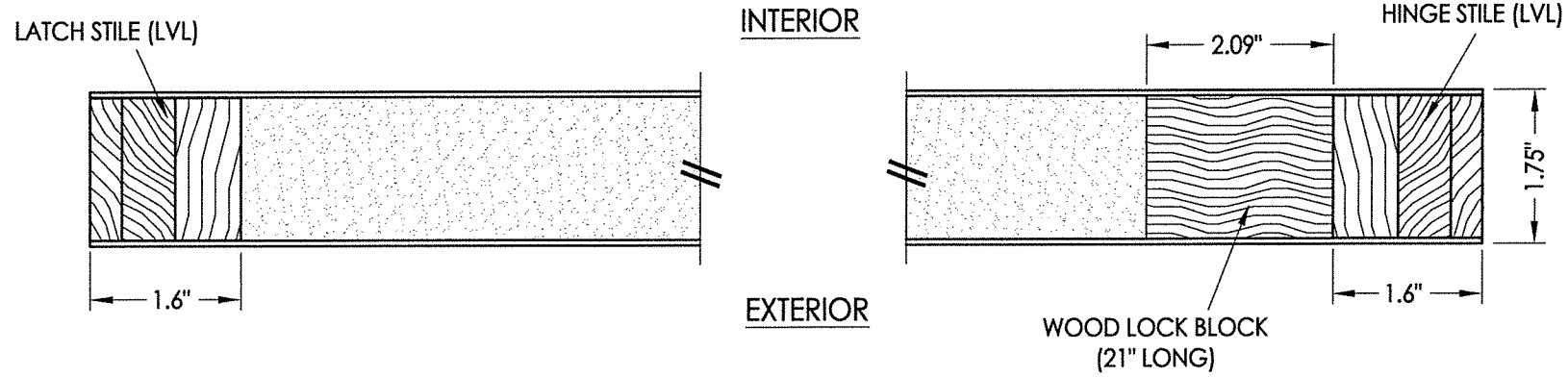


Documents Prepared By: Lyndon F. Schmidt, P.E.  
TEXAS P.E. #104123

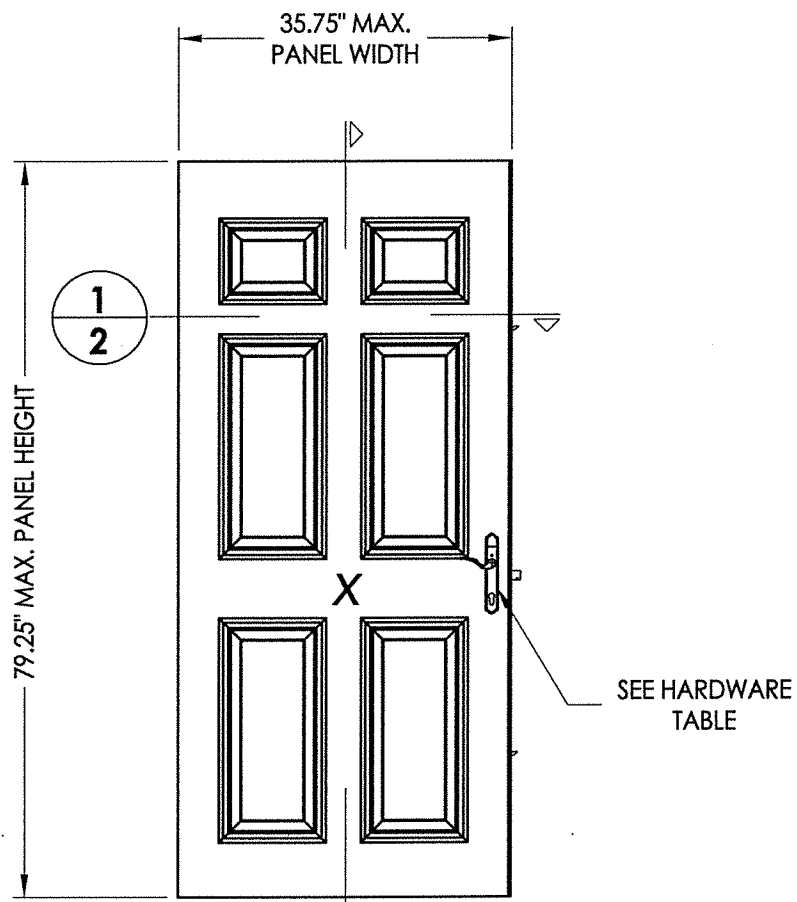
**RW** BUILDING CONSULTANTS, INC.  
P.O. Box 230 Valrico FL 33595  
Phone No.: 813.659.9197  
TEXAS BOARD OF PROFESSIONAL ENGINEERS  
CERTIFICATE OF REGISTRATION # F-11852

PRODUCT:	ENDURA		
PART OR ASSEMBLY:	TYPICAL ELEVATION, DESIGN PRESSURES & GENERAL NOTES		
NO.	DATE	BY	REVISIONS
1	9/19/19	LFS	ADD "FusionFrame" OPTION & UPDATE TO 2018 IBC/IRC CODE
DATE: 11/09/16			
SCALE: N.T.S.			
DWG. BY: JK			
CHK. BY: LFS			
DRAWING NO.: TX-4668			
SHEET 1 OF 7			

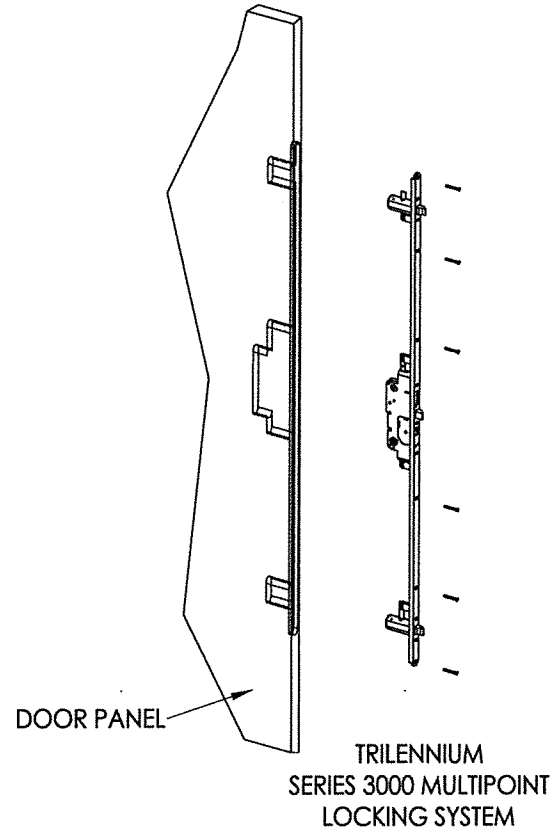
R:\Clients\Endura PERMANENT\B - Texas Dept of Ins\TDI - DR-865 (Sub ID 6622) Masonite FG Opaque (Trilennium)\C - Drawings\TX-4668.69.71.72.dwg, 2.3



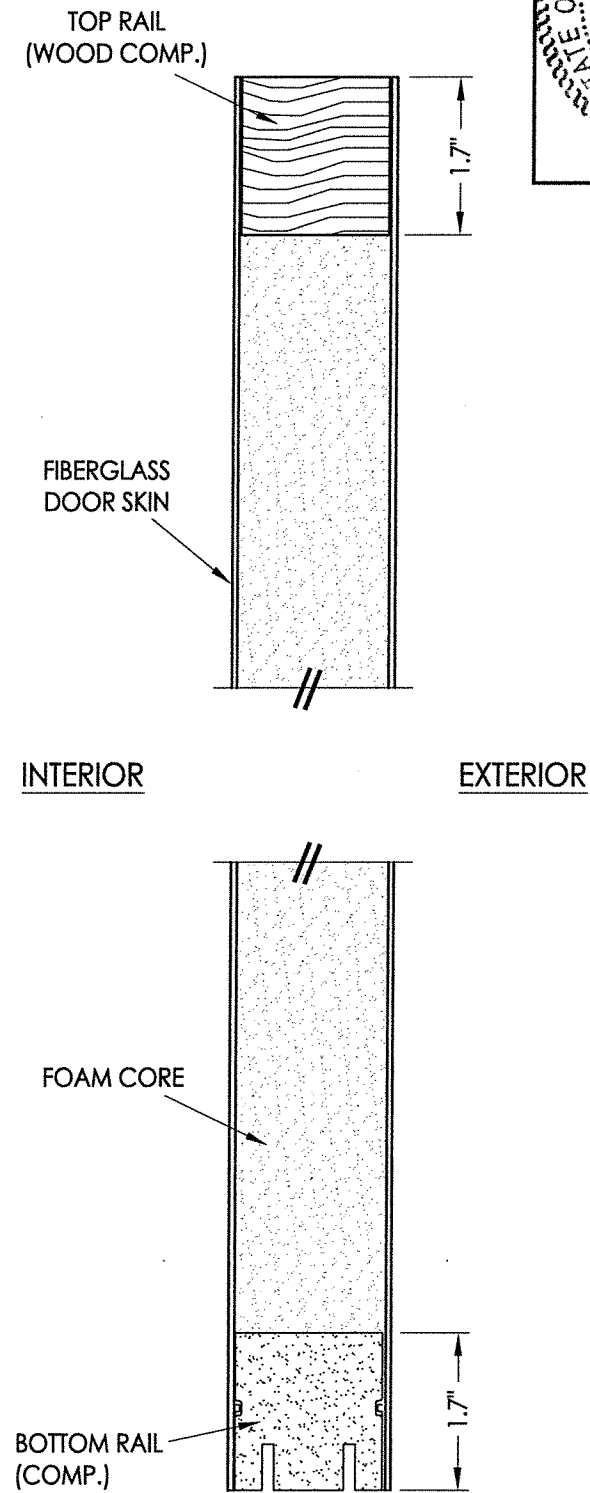
1  
2 **HORIZONTAL CROSS SECTION**



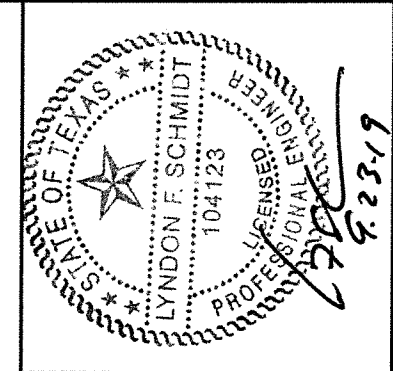
2  
2 **DOOR PANEL**  
Masonite  
Fiberglass



HARDWARE TABLE	
MANUFACTURER	MODEL
Endura	Trilennium® 3000 Series Multipoint lock (3pt.)



2  
2 **VERTICAL CROSS SECTION**



Documents Prepared By: Lyndon F. Schmidt, P.E.  
TEXAS P.E. #104123

**RW** BUILDING CONSULTANTS, INC.  
P.O. Box 230 Valrico FL, 33595  
Phone No.: 813.659.9197

TEXAS BOARD OF PROFESSIONAL ENGINEERS  
CERTIFICATE OF REGISTRATION # F-11852

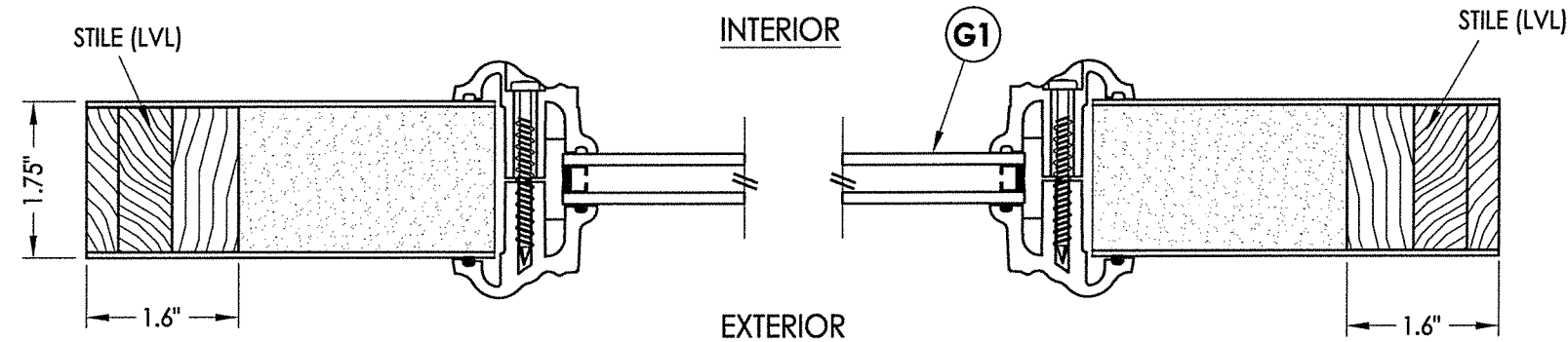
PRODUCT: ENDURA

PART OR ASSEMBLY: DOOR PANEL DETAILS & GLAZING DETAIL

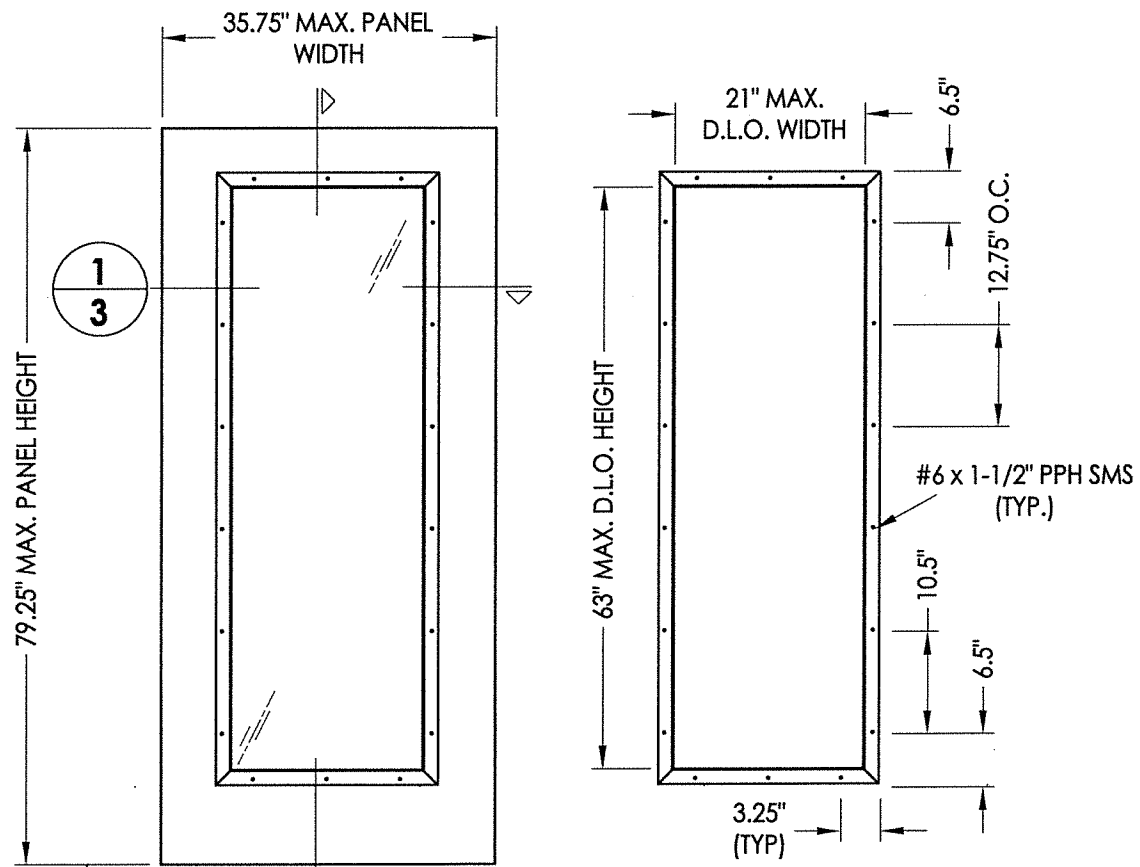
NO.	DATE	BY	REVISIONS
1	9/19/19	LFS	ADD "FusionFrame" OPTION & UPDATE TO 2018 IBC/IRC CODE

DATE: 11/09/16  
SCALE: N.T.S.  
DWG. BY: JK  
CHK. BY: LFS  
DRAWING NO.: TX-4668  
SHEET 2 OF 7

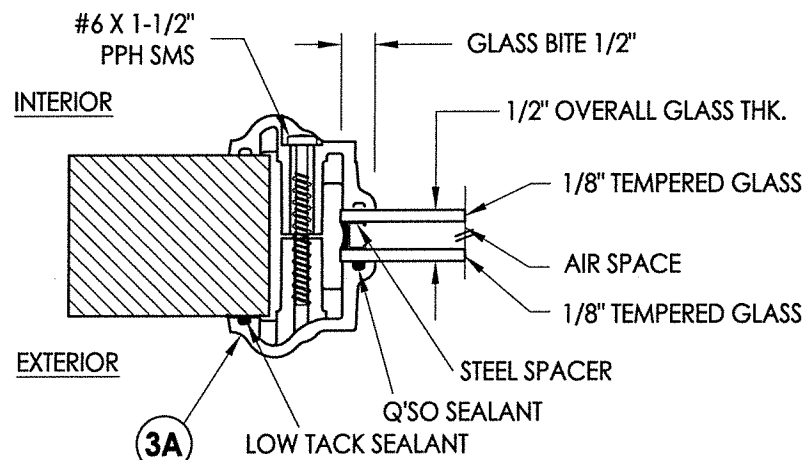
R:\Clients\Endura PERMANENT\B - Texas Dept of Ins\TDI - DR-865 (Sub ID 6622) Masonite FG Opaque (Triennium)\C - Drawings\TX-4668.69.71.72.dwg, 3.3



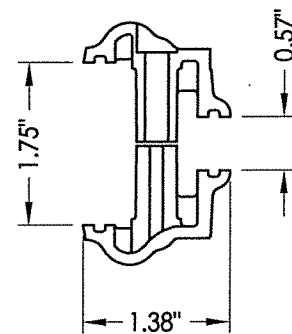
**1**  
**3** HORIZONTAL CROSS SECTION



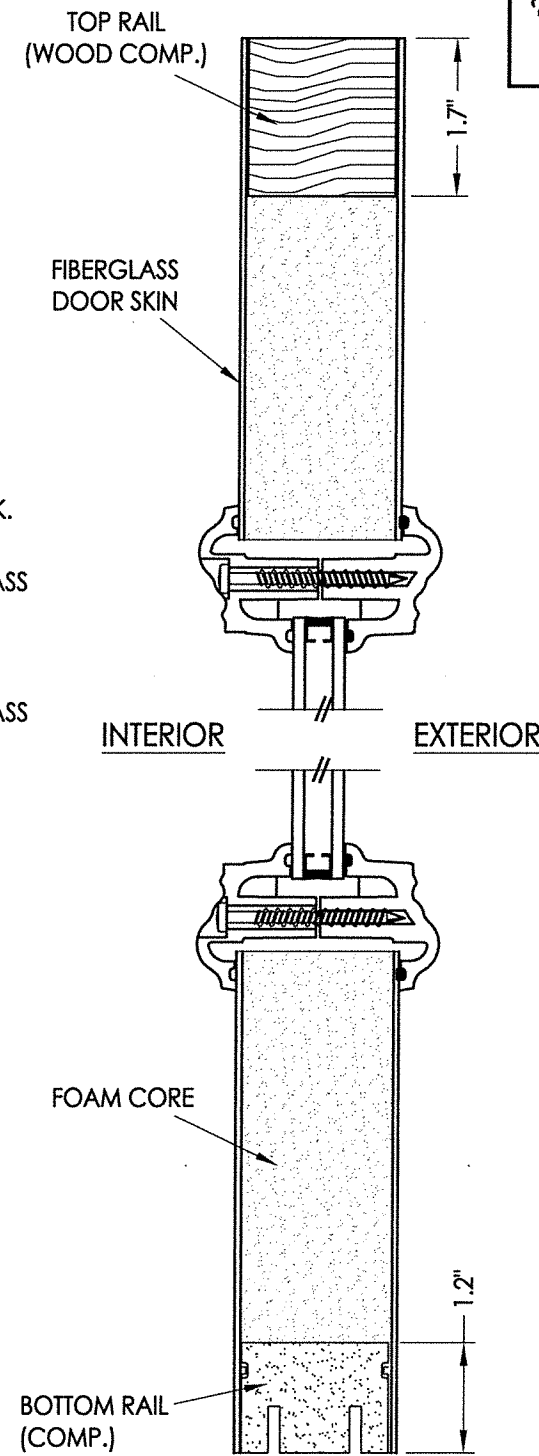
**2**  
**3** SIDELITE PANEL  
Masonite  
Fiberglass



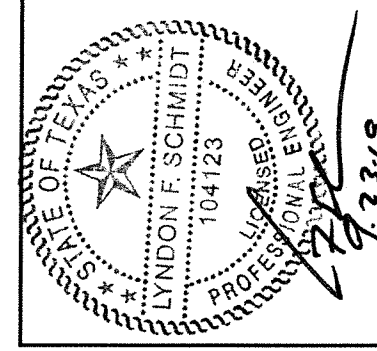
**G1** GLAZING DETAIL



**3A** ODL LITE FRAME  
HP Polypropylene



**2**  
**3** VERTICAL CROSS SECTION



Documents Prepared By: Lyndon F. Schmidt, P.E.  
TEXAS P.E. #104123

**RW** BUILDING CONSULTANTS, INC.  
P.O. Box 230 Valrico FL, 33595  
Phone No.: 813.689.9197  
TEXAS BOARD OF PROFESSIONAL ENGINEERS  
CERTIFICATE OF REGISTRATION # F-11852

PRODUCT: ENDURA

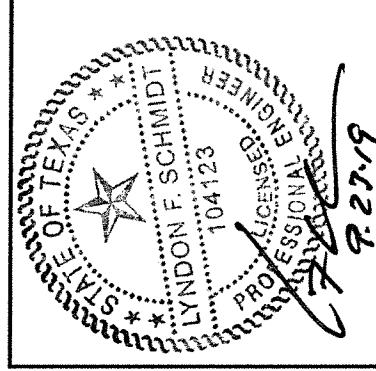
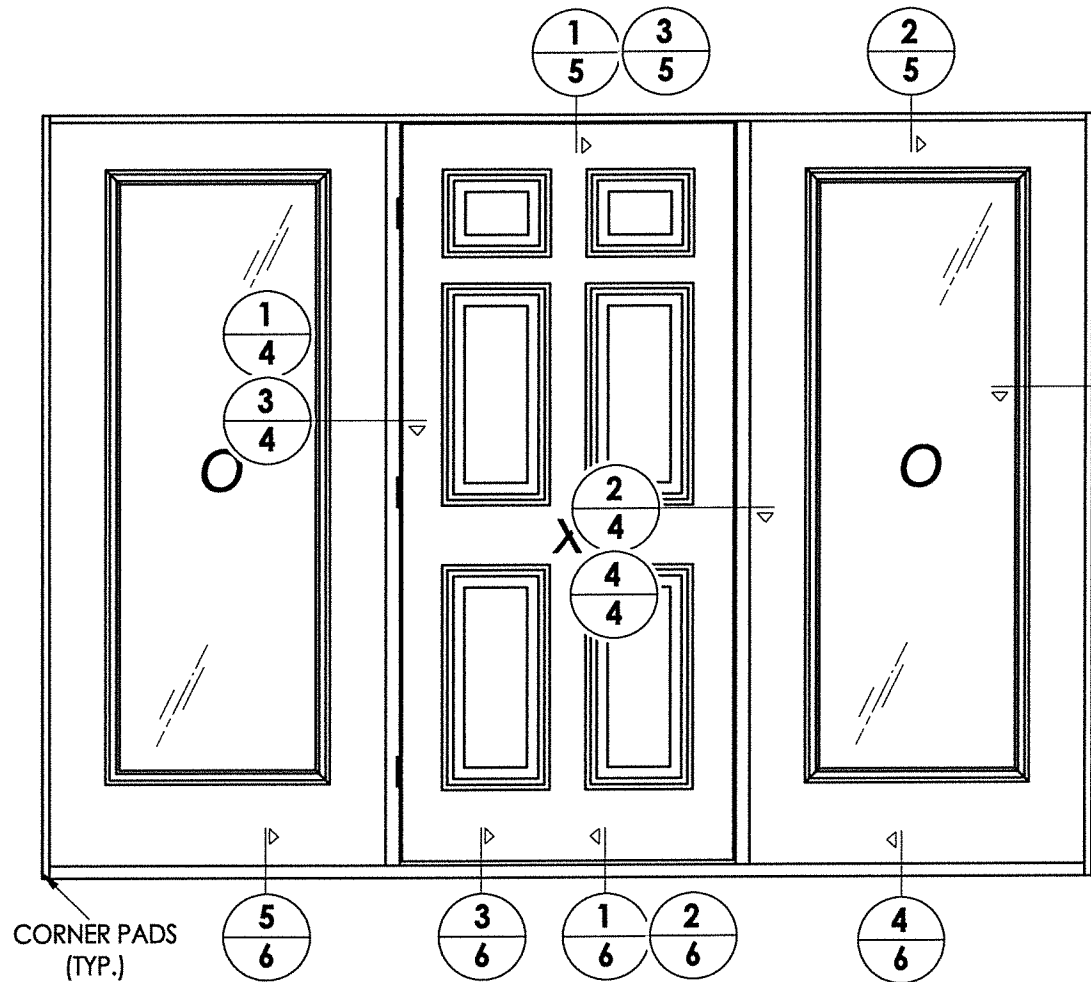
PART OR ASSEMBLY:  
SIDELITE PANEL DETAILS  
(LIP LITE INSERT GLAZING)

NO.	DATE	BY	REVISIONS
1	9/19/19	LFS	ADD "FusionFrame" OPTION & UPDATE TO 2018 IBC/IRC CODE

DATE: 11/09/16  
SCALE: N.T.S.  
DWG. BY: JK  
CHK. BY: LFS  
DRAWING NO.: TX-4668  
SHEET 3 OF 7

SIDELITE PANEL SKIN: FIBERGLASS (0.075" MIN. THICKNESS)  
CORE MATERIAL: POLYURETHANE FOAM (1.9 PCF MIN.)

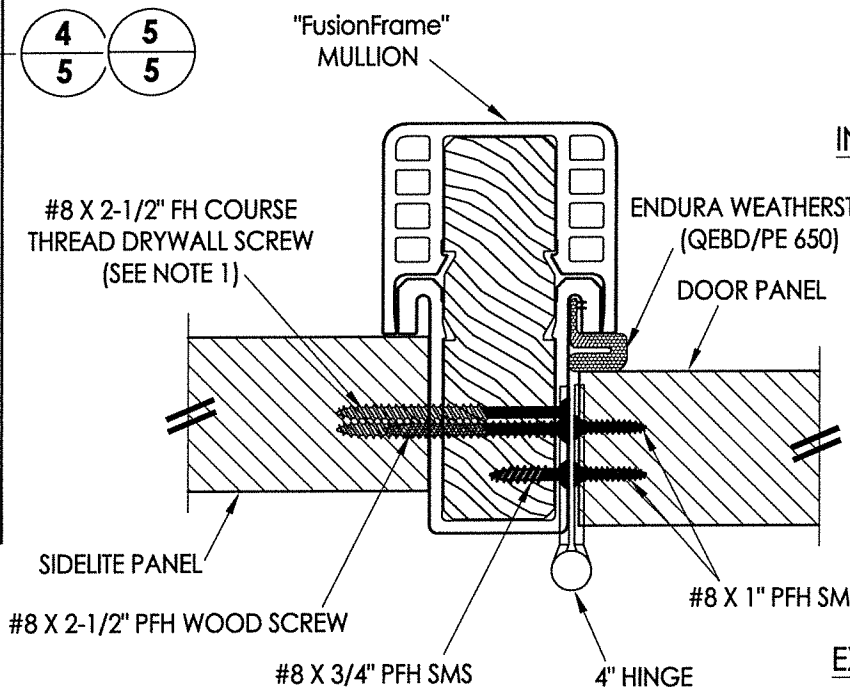
R:\Clients\Endura PERMANENT\B - Texas Dept of Ins\TDI - DR-865 (Sub ID 6622) Masonite FG Opaque (Trilennium)\C - Drawings\TX-4668.69.71.72.dwg. 4.3



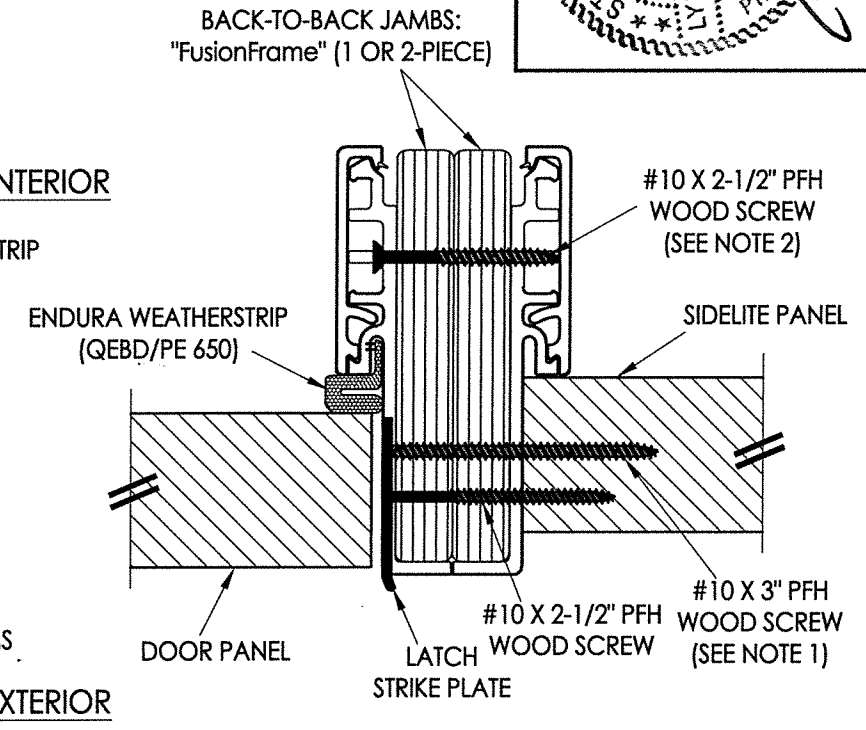
Documents Prepared By: Lyndon F. Schmidt, P.E.  
TEXAS P.E. #104123

**RW** BUILDING CONSULTANTS, INC.  
P.O. Box 230 Valrico FL 33595  
Phone No.: 813.659.9197

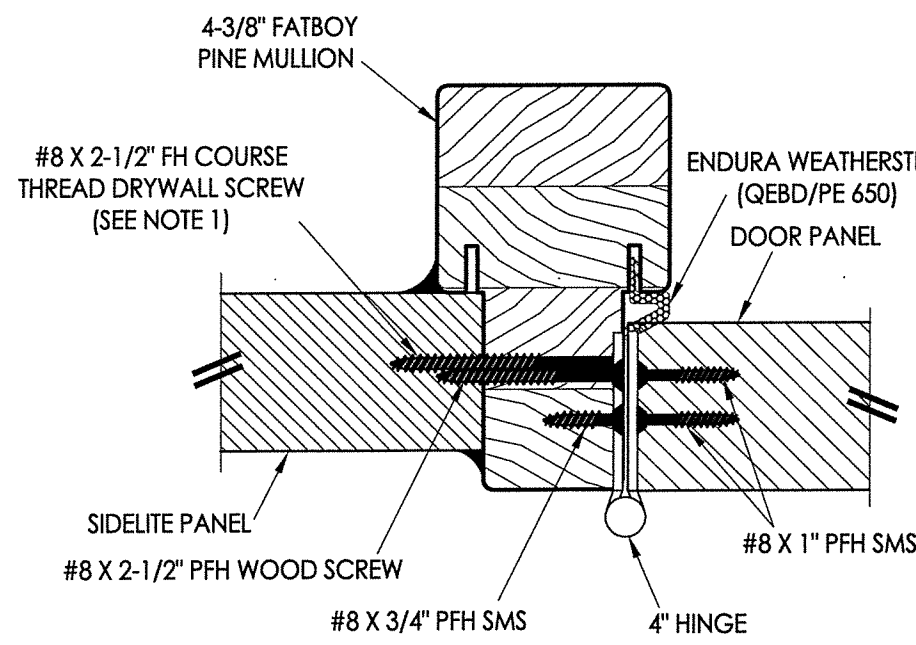
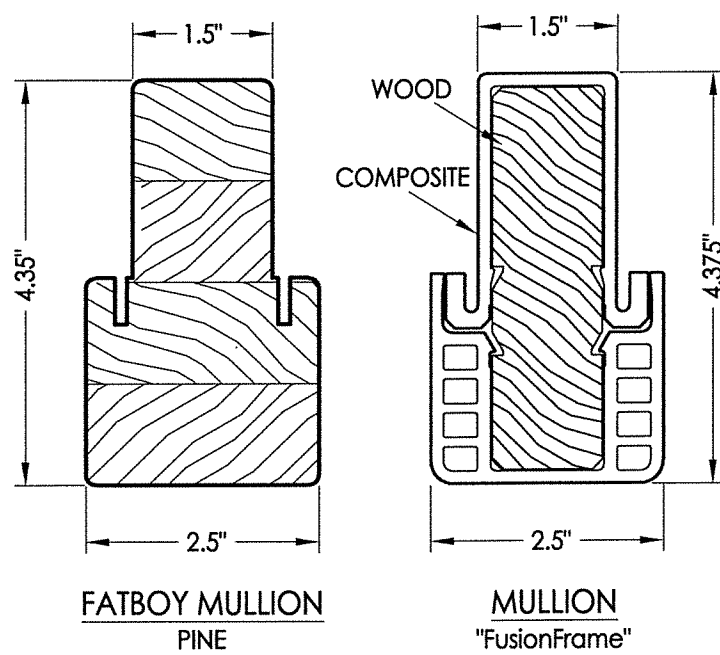
TEXAS BOARD OF PROFESSIONAL ENGINEERS  
CERTIFICATE OF REGISTRATION # F-11852



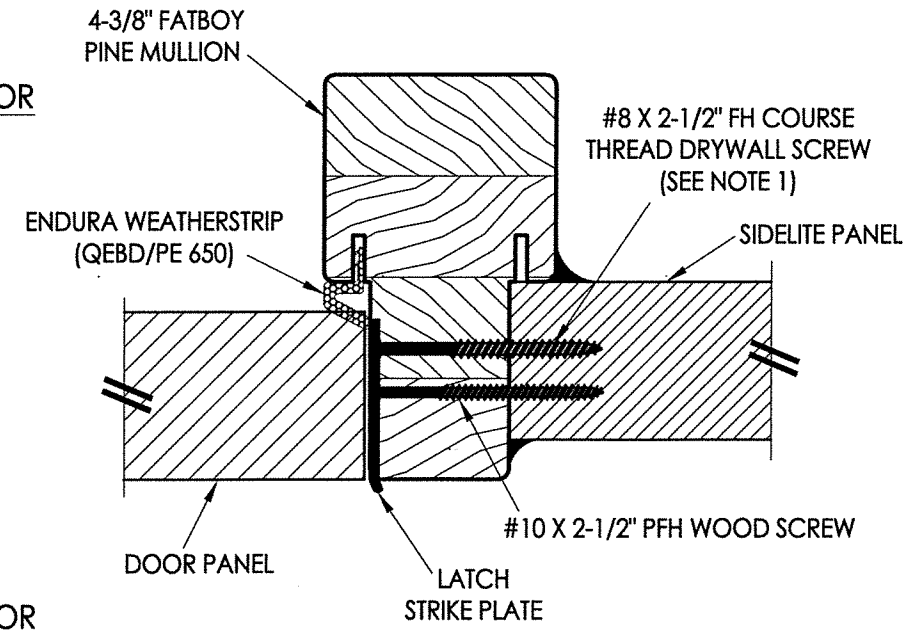
**3** **HORIZONTAL CROSS SECTION**  
4 Outswing shown - Inswing also approved



**4** **HORIZONTAL CROSS SECTION**  
4 Outswing shown - Inswing also approved



**1** **HORIZONTAL CROSS SECTION**  
4 Outswing shown - Inswing also approved



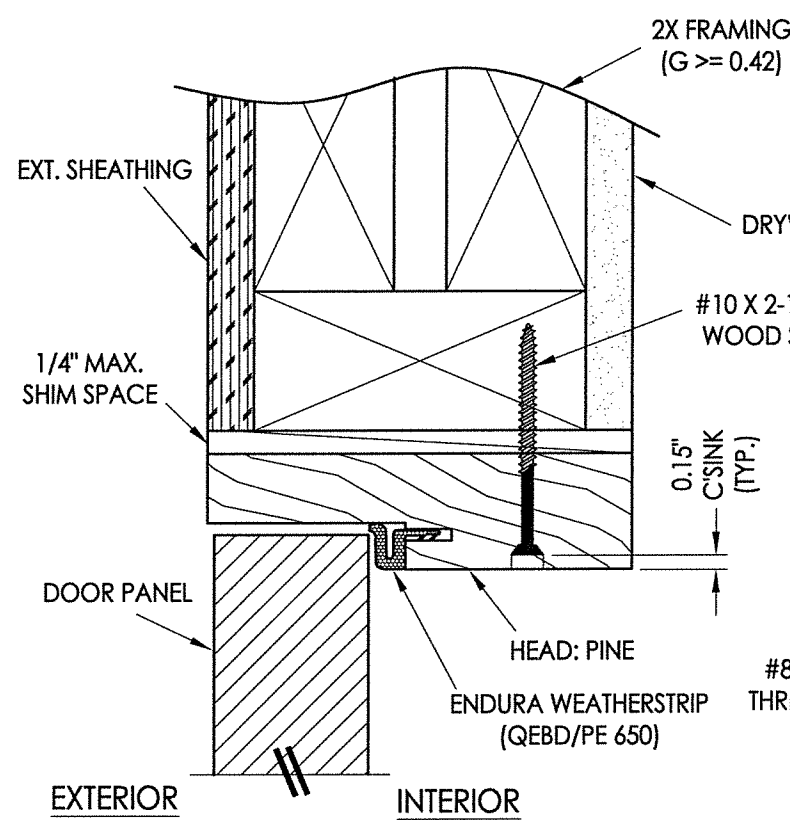
**2** **HORIZONTAL CROSS SECTION**  
4 Outswing shown - Inswing also approved

**NOTES:**  
1. Spacing for sidelite screws: 6.5", 38.5" and 69" from head to sill (3 total).  
2. Spacing for mullion screws: 6" from each end plus 3 more equally spaced (5 total).

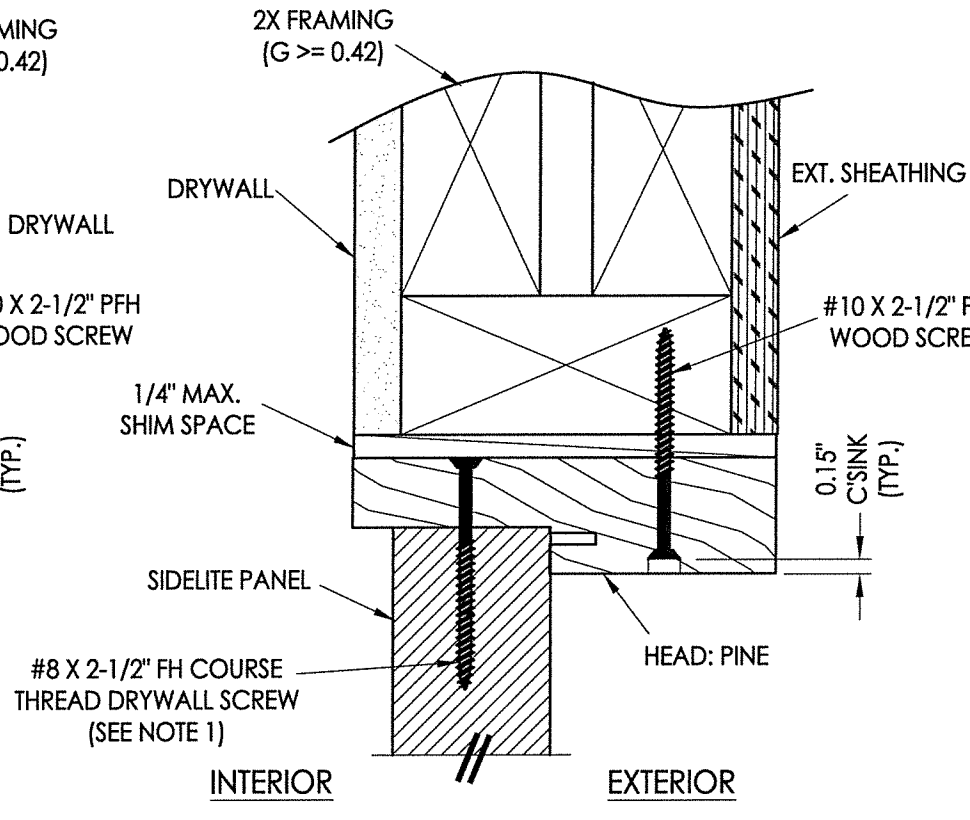
PRODUCT:	ENDURA	
PART OR ASSEMBLY:	FIBERGLASS DOOR	
REVISIONS		
NO.	DATE	BY
1	9/19/19	LFS
ADD "FusionFrame" OPTION & UPDATE TO 2018 IBC/IRC CODE		
DATE:	11/09/16	
SCALE:	N.T.S.	
DWG. BY:	JK	
CHK. BY:	LFS	
DRAWING NO.:	TX-4668	
SHEET	4 OF 7	

© 2016 R.W. BUILDING CONSULTANTS INC.

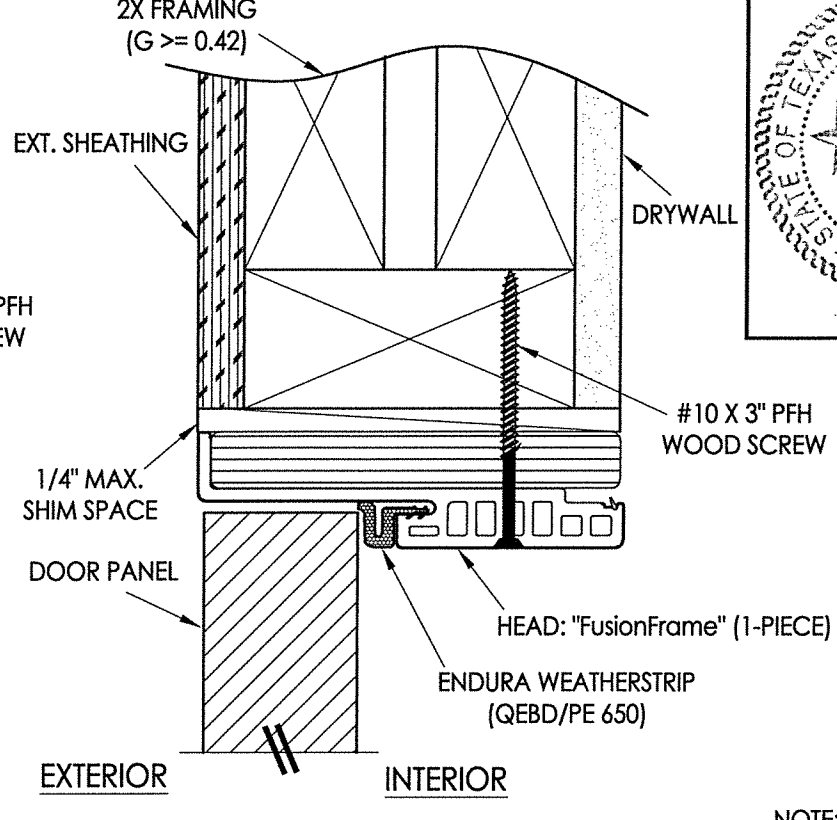
R:\Clients\Endura PERMANENT\B - Texas Dept of Ins\TDI - DR-865 (Sub ID 6622) Masonite FG Opaque (Trilemium)C - Drawings\TX-4668.69.71.72.dwg, 5.3



**1** VERTICAL CROSS SECTION  
**5** Outswing shown - inswing also approved

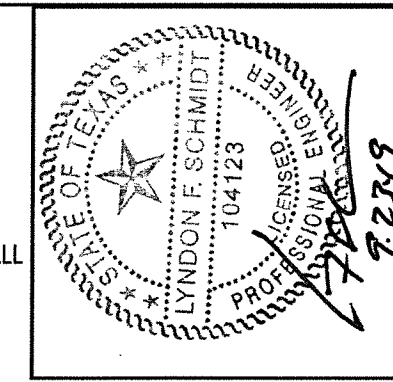


**2** VERTICAL CROSS SECTION  
**5** Inswing shown - Outswing also approved

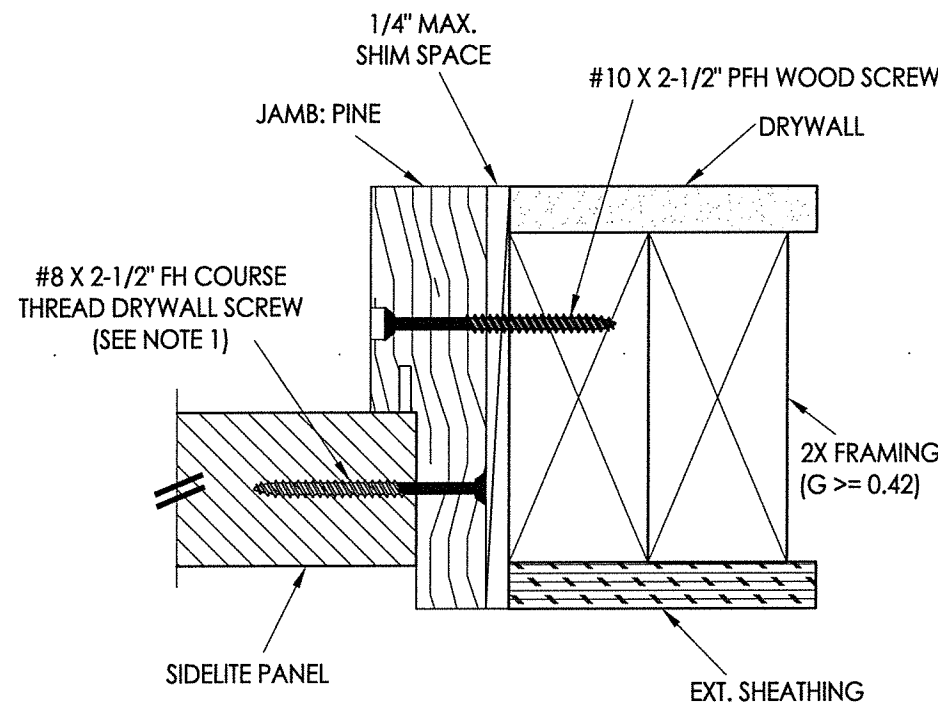
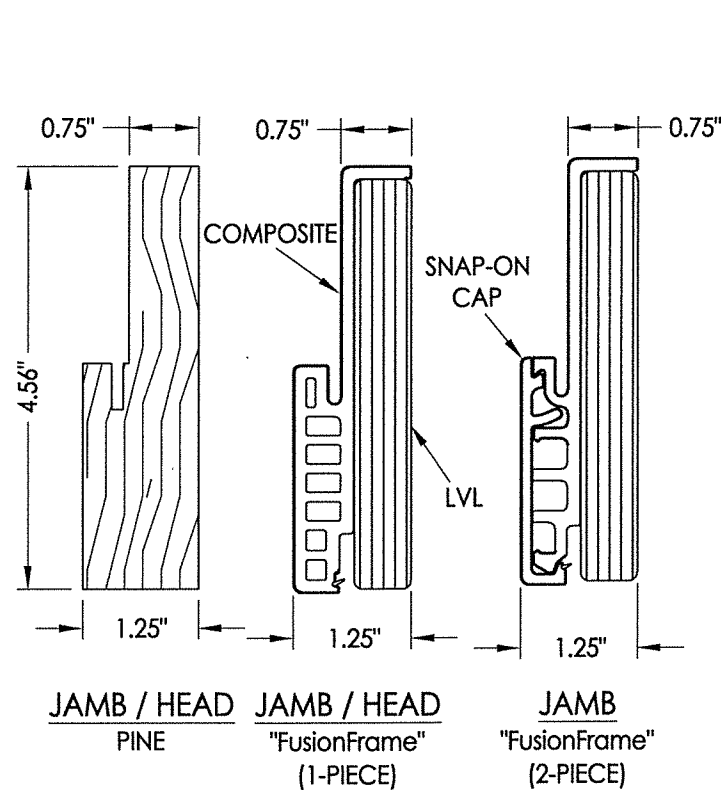


**3** VERTICAL CROSS SECTION  
**5** Outswing shown - inswing also approved

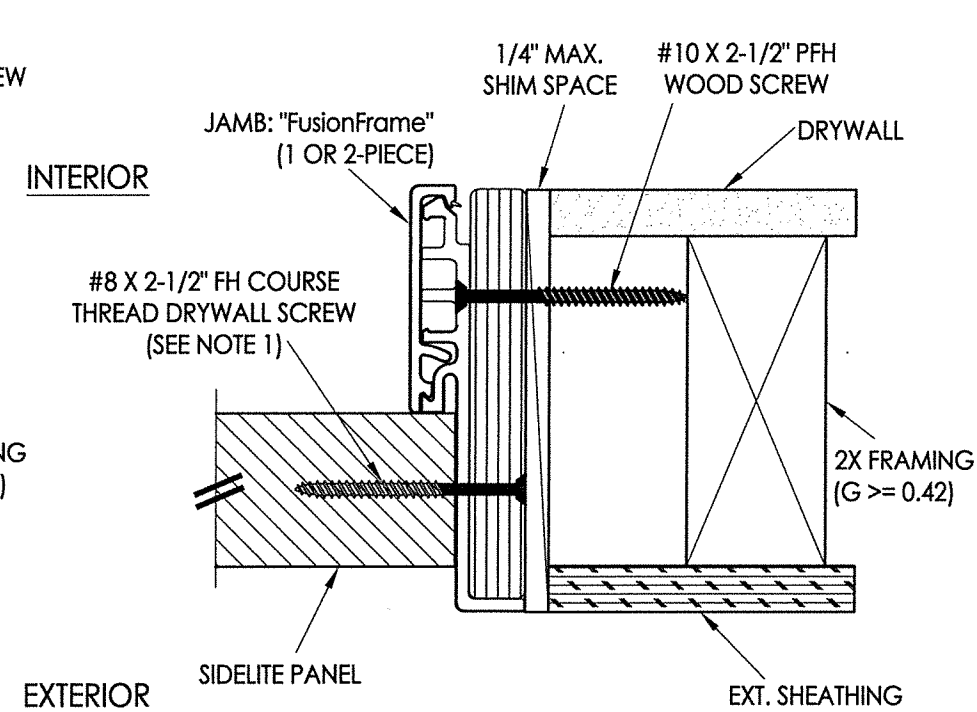
NOTE:  
 1. Spacing for sidelite screws: 6" from each end (2 total).



Documents Prepared By: Lyndon F. Schmidt, P.E.  
 TEXAS P.E. #104123  
**RW** BUILDING CONSULTANTS, INC.  
 P.O. Box 230 Vairico FL 33595  
 Phone No.: 813.659.9197  
 TEXAS BOARD OF PROFESSIONAL ENGINEERS  
 CERTIFICATE OF REGISTRATION # F-11852



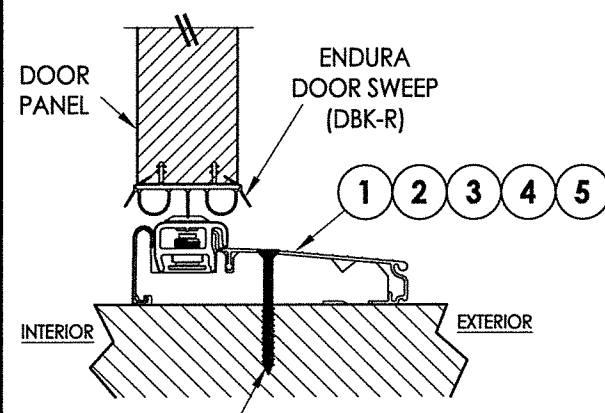
**4** HORIZONTAL CROSS SECTION  
**5** Outswing shown - Inswing also approved



**5** HORIZONTAL CROSS SECTION  
**5** Outswing shown - Inswing also approved

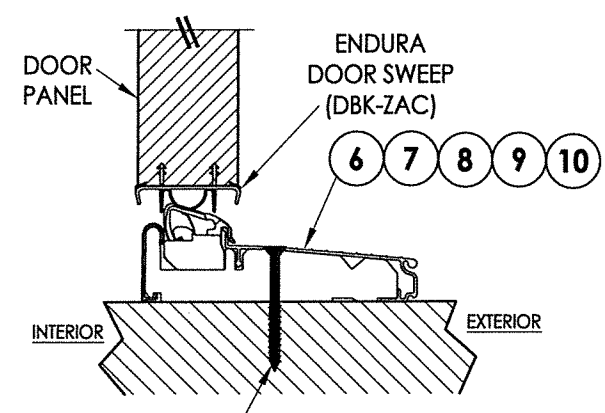
PRODUCT:	ENDURA	
PART OR ASSEMBLY:	VERTICAL CROSS SECTIONS	
NO.	DATE	BY
1	9/19/19	LFS
ADD "FusionFrame" OPTION & UPDATE TO 2018 IBC/IRC CODE		
REVISIONS		
DATE:	11/09/16	
SCALE:	N.T.S.	
DWG. BY:	JK	
CHK. BY:	LFS	
DRAWING NO.:	TX-4668	
SHEET	5	OF 7

R:\Clients\Endura PERMANENT\B - Texas Dept of Ins\TDI - DR-865 (Sub ID 6622) Masonite FG Opaque (Tritanium)\C - Drawings\TX-4668.69.71.72.dwg, 6.3



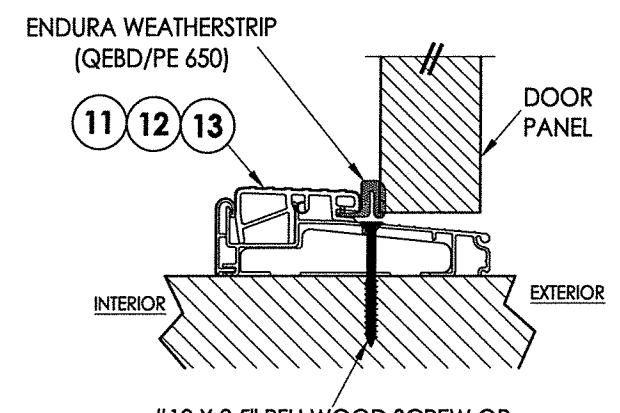
#10 X 2.5" PFH WOOD SCREW OR 1/4" X 2-3/4" ELCO OR ITW CONCRETE SCREW

**1 VERTICAL CROSS SECTION**  
6 Inswing Adjustable Threshold



#10 X 2.5" PFH WOOD SCREW OR 1/4" X 2-3/4" ELCO OR ITW CONCRETE SCREW

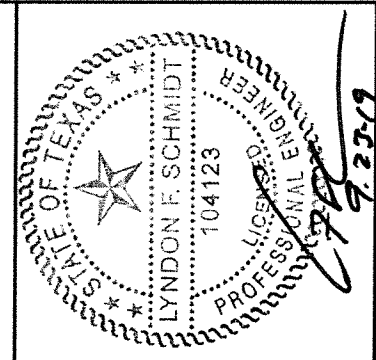
**2 VERTICAL CROSS SECTION**  
6 Inswing Articulating Threshold



#10 X 2.5" PFH WOOD SCREW OR 1/4" X 2-3/4" ELCO OR ITW CONCRETE SCREW

**3 VERTICAL CROSS SECTION**  
6 Outswing Bump Threshold

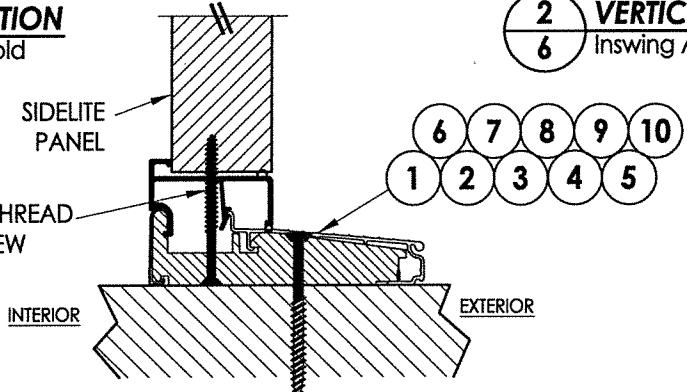
NOTE:  
1. Spacing for sidelite screws: 6" from each end (2 total).



Documents Prepared By: Lyndon F. Schmidt, P.E. TEXAS P.E. #104123

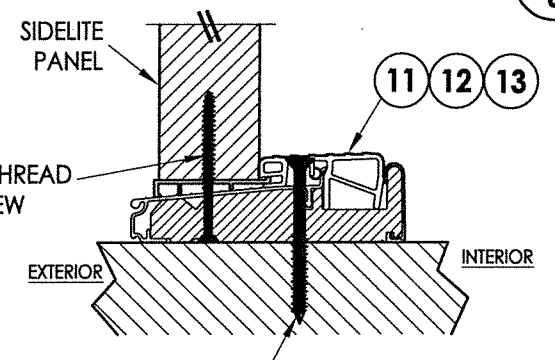
RW BUILDING CONSULTANTS, INC.  
P.O. Box 230 Vairico FL 33595  
Phone No.: 813.659.9197

TEXAS BOARD OF PROFESSIONAL ENGINEERS  
CERTIFICATE OF REGISTRATION # F-11852



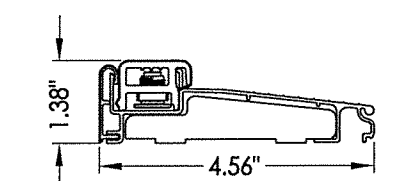
#10 X 2.5" PFH WOOD SCREW OR 1/4" X 2-3/4" ELCO OR ITW CONCRETE SCREW

**4 VERTICAL CROSS SECTION**  
6 Inswing configuration

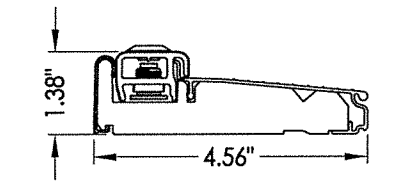


#10 X 2.5" PFH WOOD SCREW OR 1/4" X 2-3/4" ELCO OR ITW CONCRETE SCREW

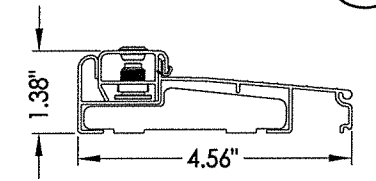
**5 VERTICAL CROSS SECTION**  
6 Outswing configuration



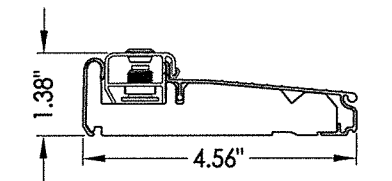
**1 INSWING ADJUSTABLE THRESHOLD**  
ZAIL4565



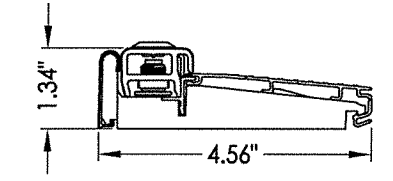
**2 INSWING ADJUSTABLE THRESHOLD**  
ZAI4565FN



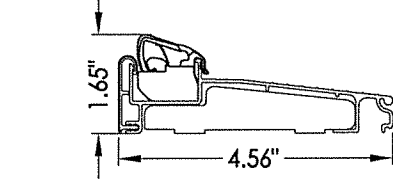
**3 INSWING ADJUSTABLE THRESHOLD**  
ZAILAA4565



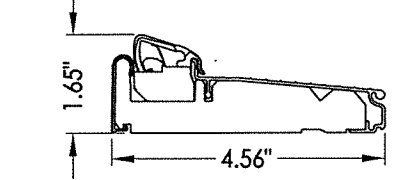
**4 INSWING ADJUSTABLE THRESHOLD**  
ZAIAA4565FN



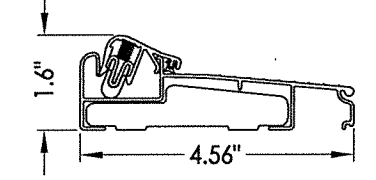
**5 INSWING ADJUSTABLE THRESHOLD**  
ZAI4565RDS



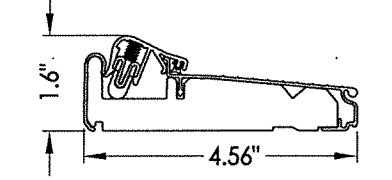
**6 INSWING ARTICULATING THRESHOLD**  
ZACL4565



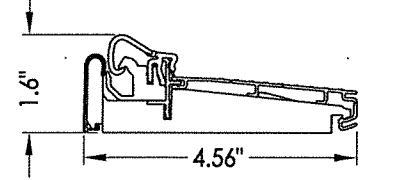
**7 INSWING ARTICULATING THRESHOLD**  
ZAC4565FN



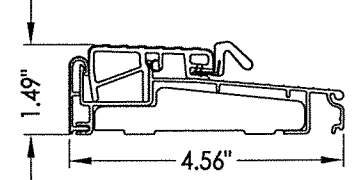
**8 INSWING ARTICULATING THRESHOLD**  
ZACLAA4565



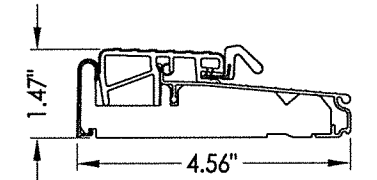
**9 INSWING ARTICULATING THRESHOLD**  
ZACAA4565FN



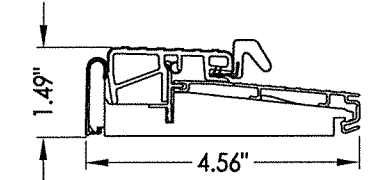
**10 INSWING ARTICULATING THRESHOLD**  
ZAC4565RDS



**11 OUTSWING THRESHOLD**  
ZOBL4565



**12 OUTSWING THRESHOLD**  
ZOB4565FN



**13 OUTSWING THRESHOLD**  
ZOB4565RDS

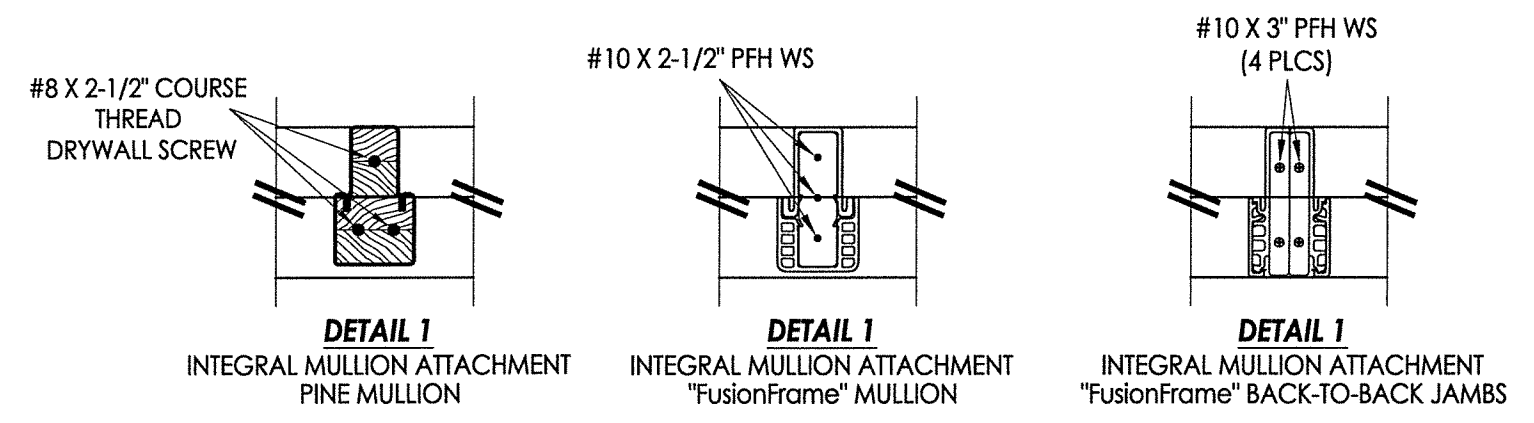
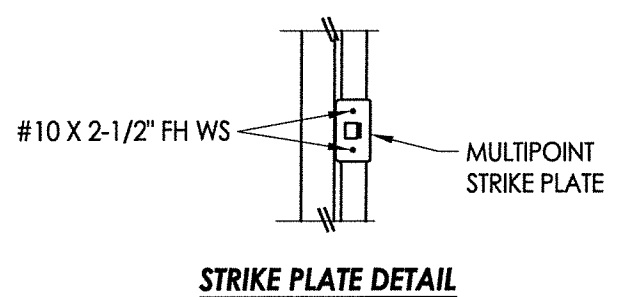
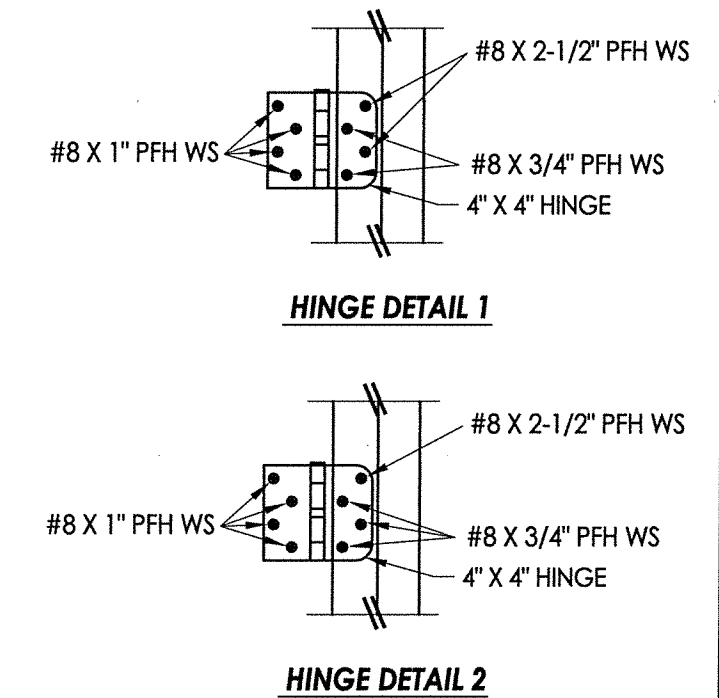
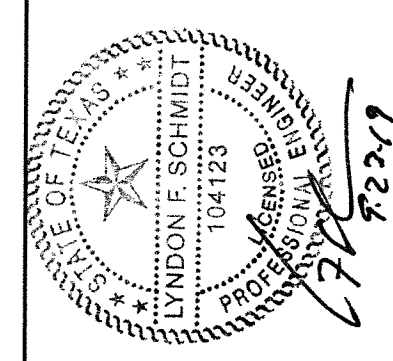
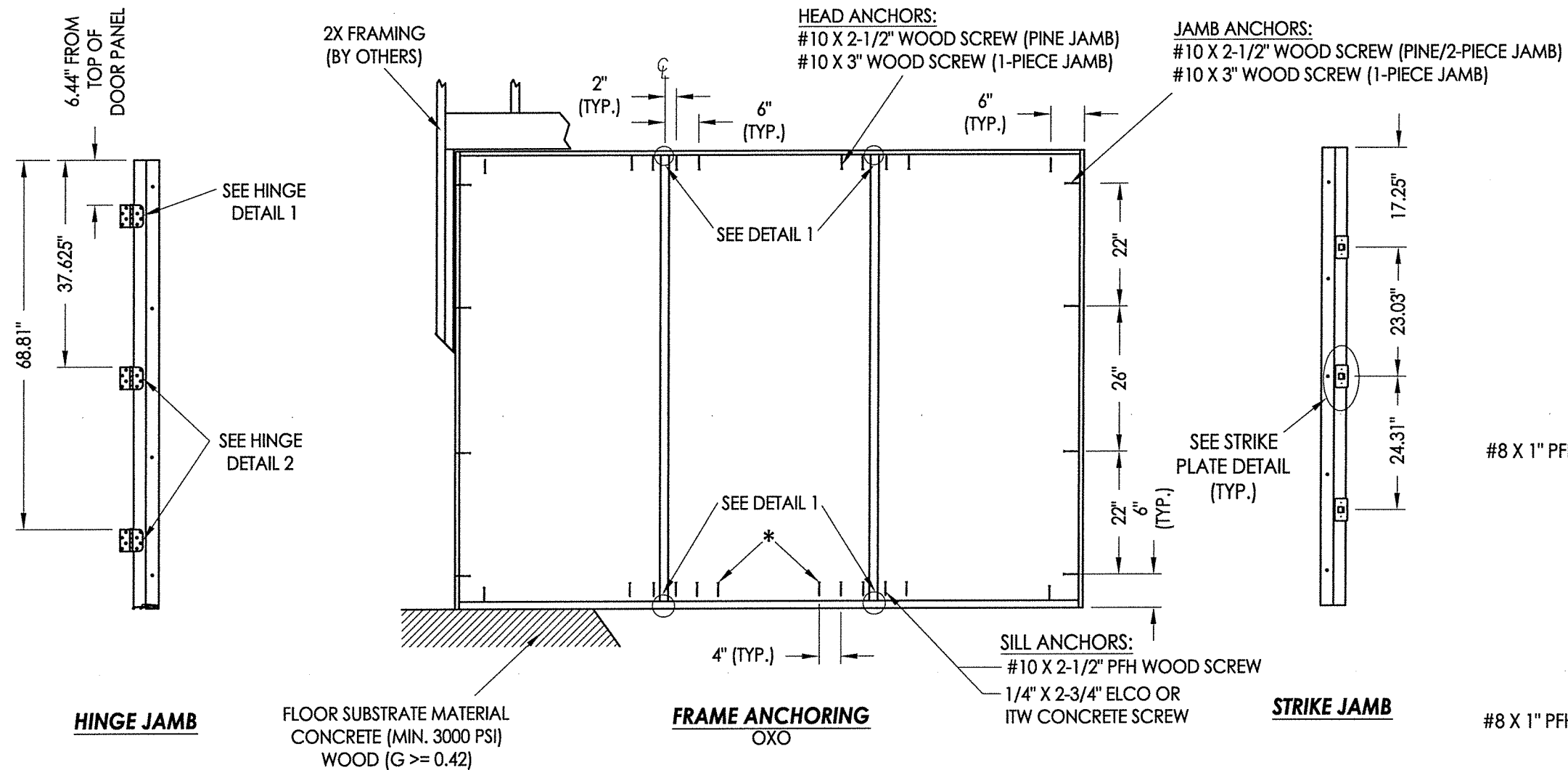
PRODUCT: ENDURA  
FIBERGLASS DOOR  
PART OR ASSEMBLY:  
VERTICAL CROSS SECTIONS

NO.	DATE	BY	REVISIONS
1	9/19/19	LFS	ADD "FusionFrame" OPTION & UPDATE TO 2018 IBC/IRC CODE

DATE: 11/09/16  
SCALE: N.T.S.  
DWG. BY: JK  
CHK. BY: LFS  
DRAWING NO.: TX-4668  
SHEET 6 OF 7

© 2016 R.W. BUILDING CONSULTANTS INC.

R:\Clients\Endura PERMANENT\B - Texas Dept of Ins\TDI - DR-865 (Sub ID 6622) Masonite FG Opaque (Trilemium)\C - Drawings\TX-4668.69.71.72.dwg, 7.3



\* NOTE: THESE ADDITIONAL ANCHORS ARE REQUIRED FOR D.P. > 40 PSF.

- JAMB NOTES:**  
THE PINE OR "FusionFrame" 1-PIECE JAMB MAY BE INSTALLED @ THE HEAD OR SIDE JAMB.  
THE "FusionFrame" 2-PIECE JAMB MAY BE INSTALLED @ THE SIDE JAMBS ONLY.
- INTEGRAL MULLION NOTES:**  
THE FATBOY PINE MULLION, "FusionFrame" MULLION, OR THE "FusionFrame" BACK-TO-BACK JAMB (1-PIECE OR 2-PIECE) MAY ALL BE USED AS THE INTEGRAL MULLION.
- CONCRETE ANCHOR NOTES:**
- Concrete anchor locations at the corners may be adjusted to maintain the min. edge distance to mortar joints.
  - Concrete anchor locations noted as "MAX. ON CENTER" must be adjusted to maintain the min. edge distance to mortar joints, additional concrete anchors may be required to ensure the "MAX. ON CENTER" dimension are not exceeded.
  - Concrete anchor table:

ANCHOR TYPE	ANCHOR SIZE	MIN. EMBEDMENT	MIN. CLEARANCE TO MASONRY EDGE	MIN. CLEARANCE TO ADJACENT ANCHOR
ITW TAPCON®	1/4"	1-3/4"	1-1/2"	4"
ELCO ULTRACON®	1/4"	1-3/4"	1"	4"

Documents Prepared By: Lyndon F. Schmidt, P.E. TEXAS P.E. #104123

**RW BUILDING CONSULTANTS, INC.**  
P.O. Box 230 Valrico FL 33595  
Phone No.: 813.659.9197

TEXAS BOARD OF PROFESSIONAL ENGINEERS  
CERTIFICATE OF REGISTRATION # F-11852

ENDURA

PRODUCT:

PART OR ASSEMBLY: FRAME ANCHORING

NO.	DATE	BY	REVISIONS
1	9/19/19	LFS	ADD "FusionFrame" OPTION & UPDATE TO 2018 IBC/IRC CODE

DATE: 11/09/16  
SCALE: N.T.S.  
DWG. BY: JK  
CHK. BY: LFS  
DRAWING NO.: TX-4668  
SHEET 7 OF 7

© 2016 R.W. BUILDING CONSULTANTS INC.