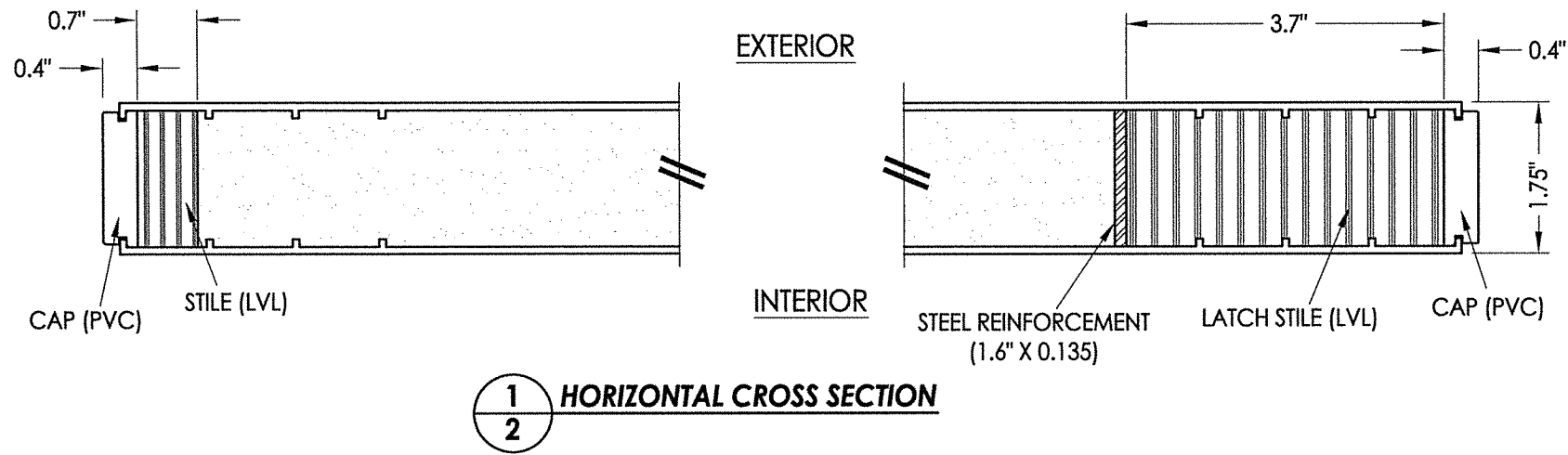
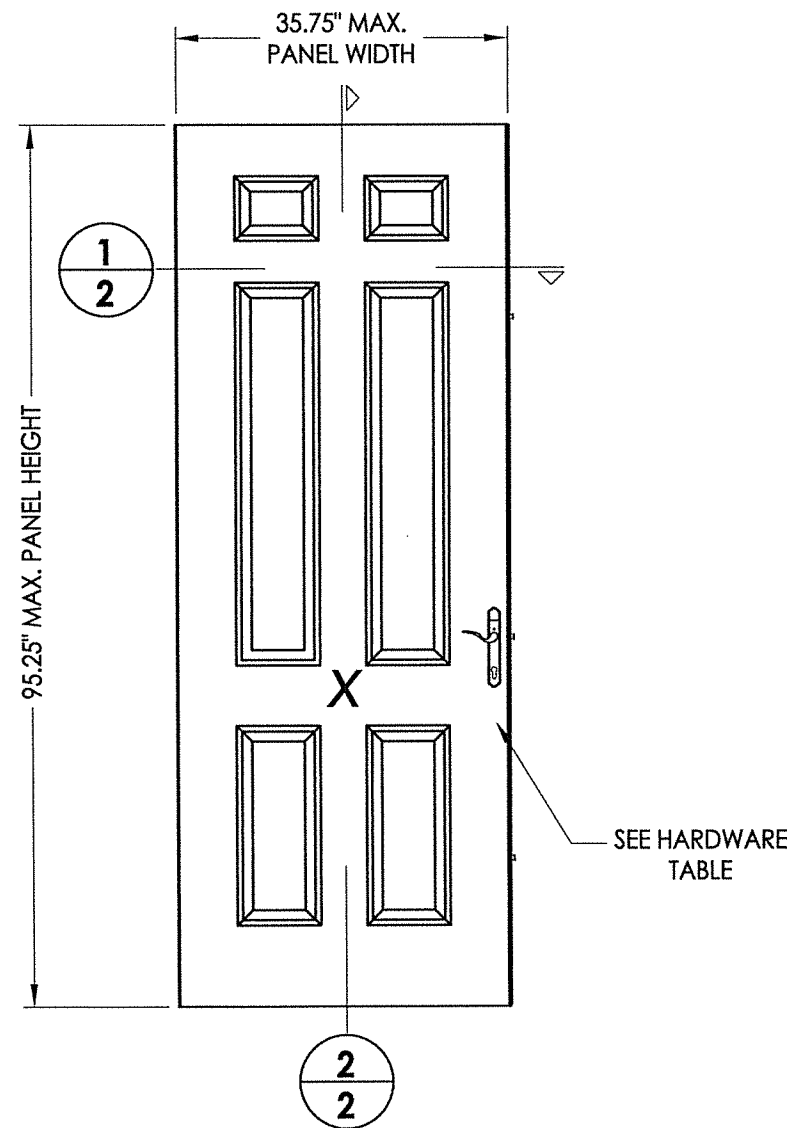


Z:\Clients\Endura PERMANENT\B - Texas Dept of Ins\DI - DR-853 Plastpro FG Opaque (Trilennium)\C - Drawings\TX-4658.59.61.62.dwg

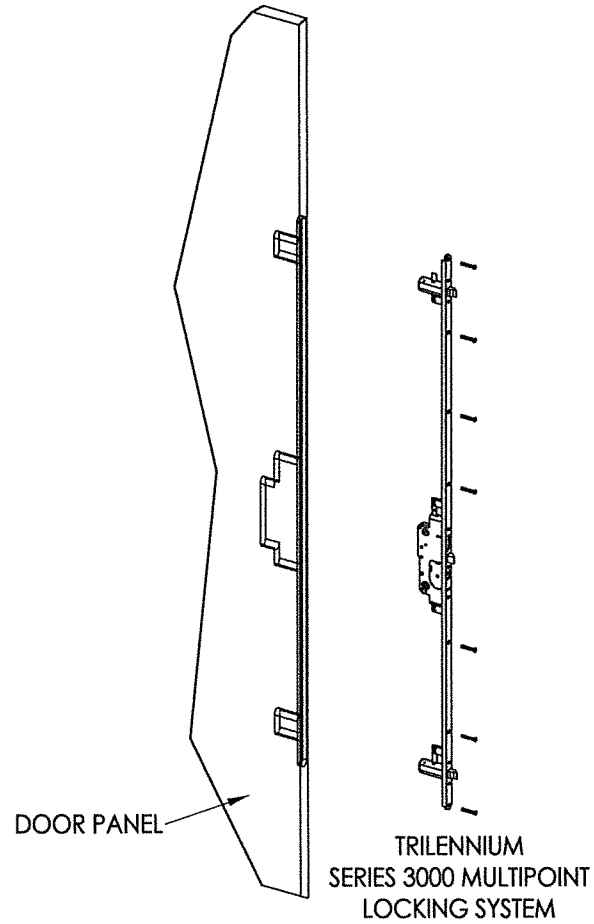


1
2 **HORIZONTAL CROSS SECTION**

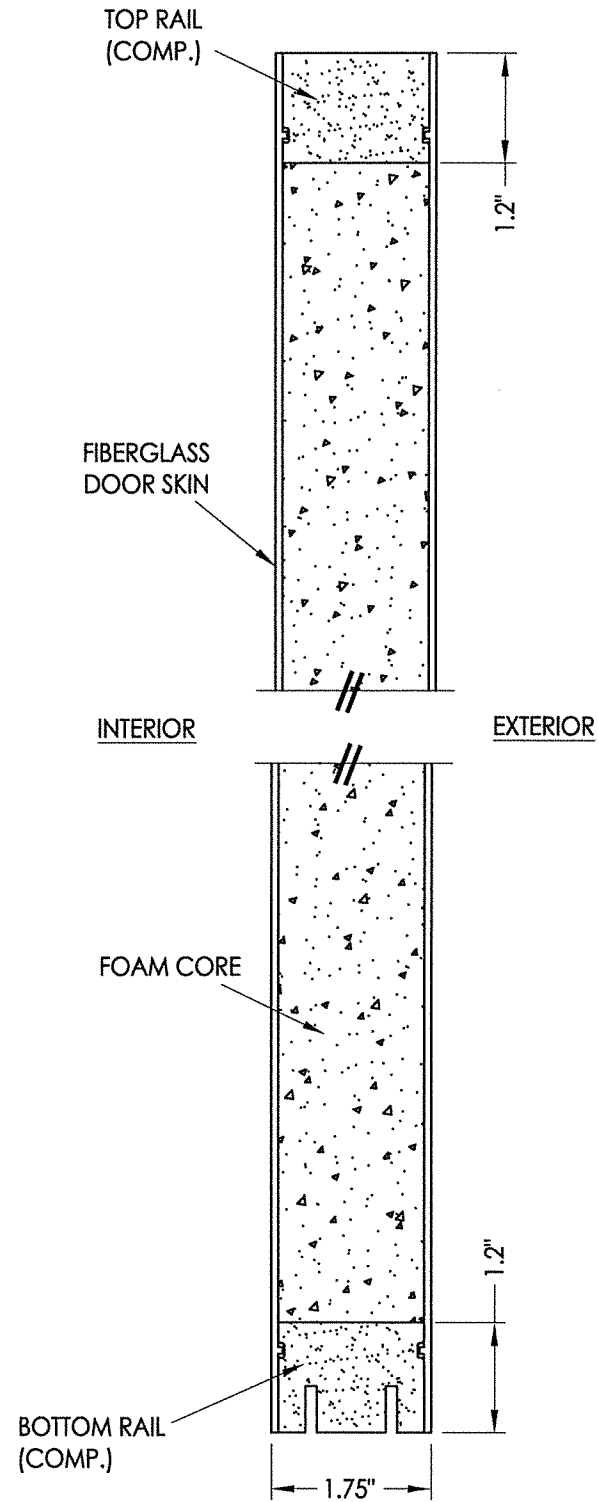


2
2 **DOOR PANEL**
Plastpro
Fiberglass

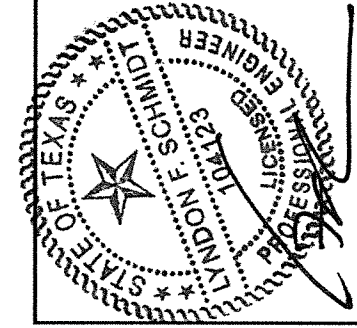
DOOR SKIN: FIBERGLASS (0.075" MIN. THICKNESS)
CORE MATERIAL: POLYURETHANE FOAM (1.9 PCF MIN.)



HARDWARE TABLE	
MANUFACTURER	MODEL
Endura	Trilennium® 3000 Series Multipoint lock (3pt.)



2
2 **VERTICAL CROSS SECTION**



Documents Prepared By: Lyndon F. Schmidt, P.E.
TEXAS P.E. #104123

RW BUILDING CONSULTANTS, INC.
P.O. Box 230 Valrico FL, 33595
Phone No.: 813.659.9197
TEXAS BOARD OF PROFESSIONAL ENGINEERS
CERTIFICATE OF REGISTRATION # F-11852

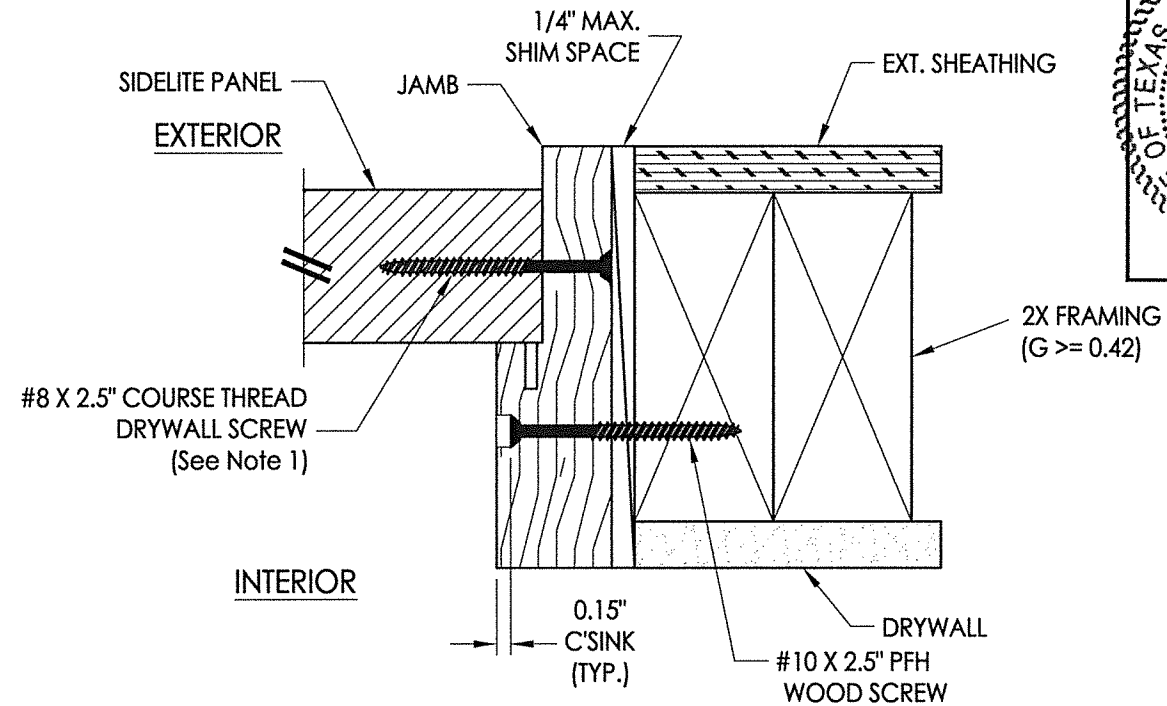
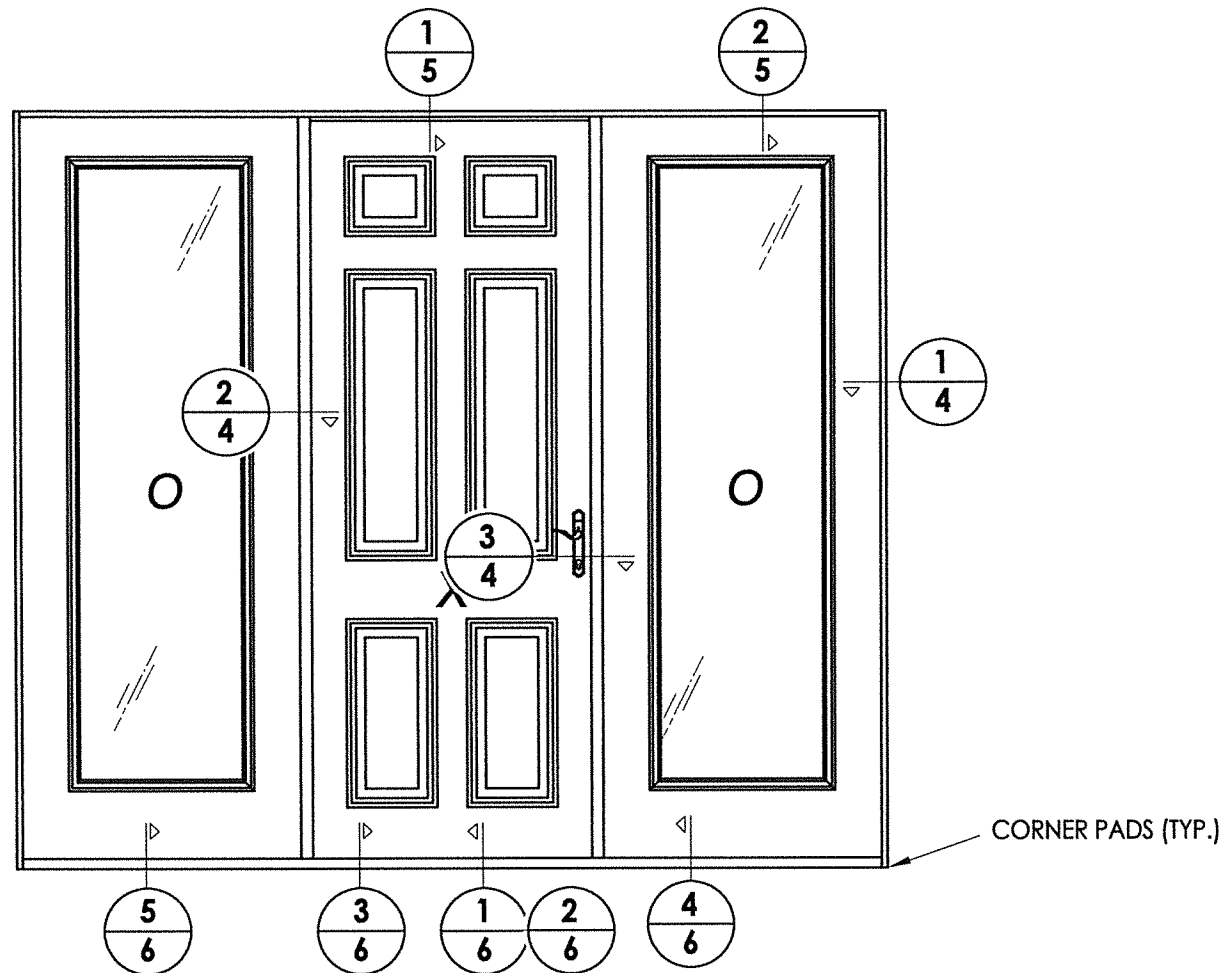
PRODUCT: ENDURA

PART OR ASSEMBLY:
DOOR PANEL DETAILS
& GLAZING DETAIL

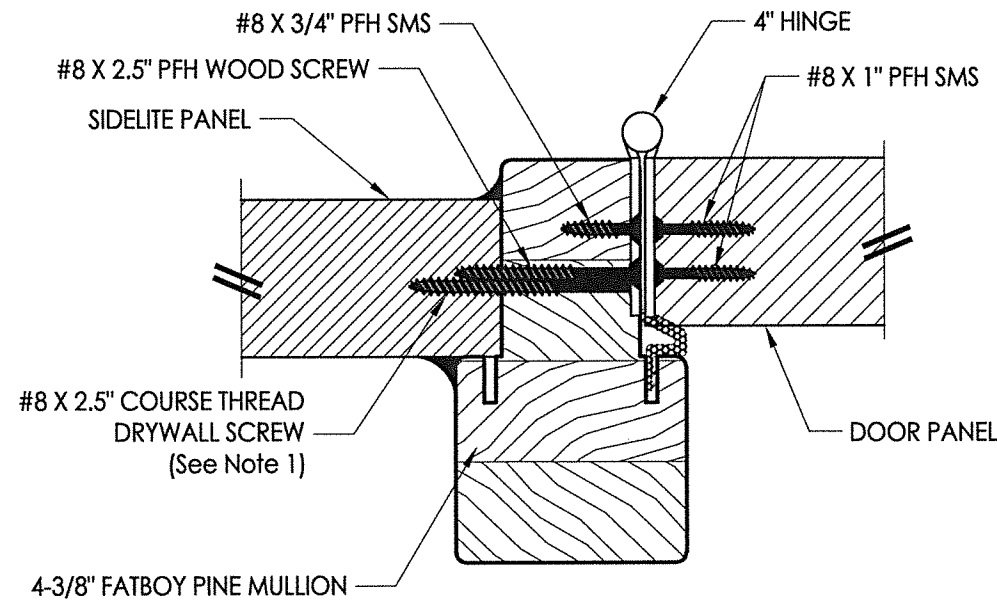
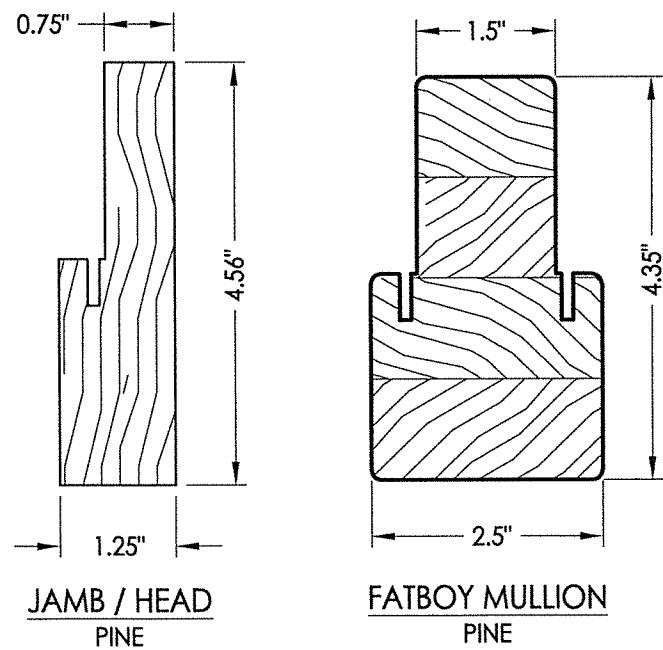
NO.	DATE	REVISIONS
1	10/26/21	UPDATE TO 2018 IBC/IRC CODE
		LFS
		BY

DATE: 11/09/16
SCALE: N.T.S.
DWG. BY: JK
CHK. BY: LFS
DRAWING NO.: TX-4661
SHEET 2 OF 7

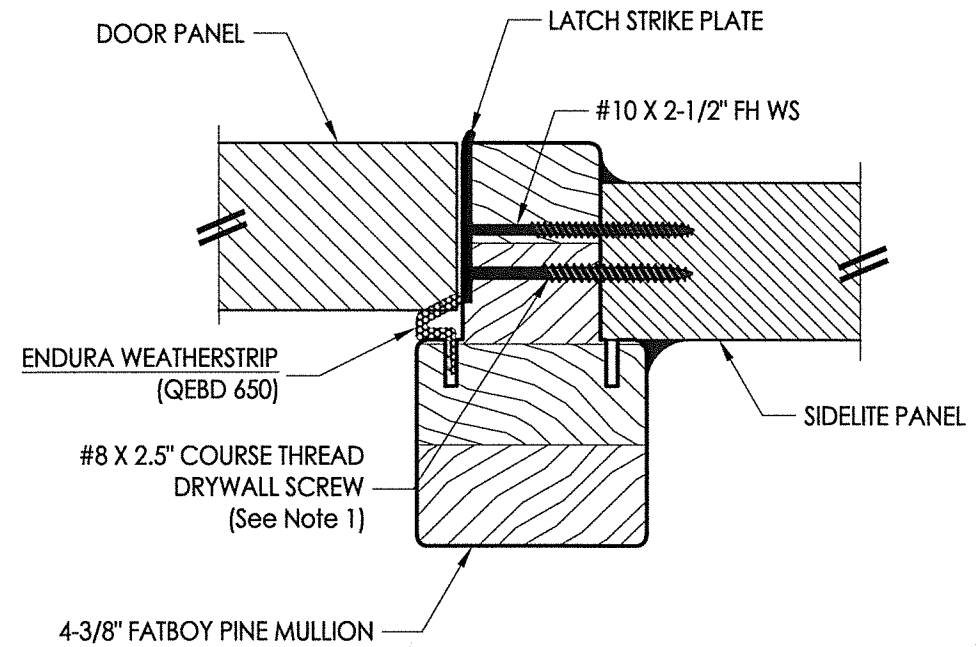
Z:\Clients\Endura PERMANENT\B - Texas Dept of Ins\TDI - DR-853 Plastpro FG Opaque (Trilennium)\C - Drawings\TX-4658.59.61.62.dwg



1 HORIZONTAL CROSS SECTION
Outswing shown - Inswing also approved

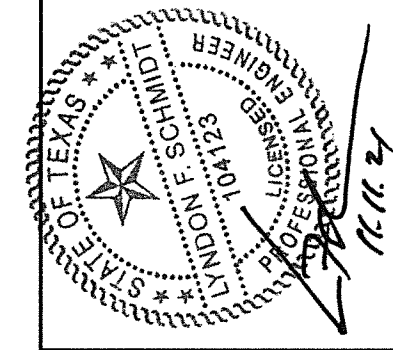


2 HORIZONTAL CROSS SECTION
Outswing shown - Inswing also approved



3 HORIZONTAL CROSS SECTION
Outswing shown - Inswing also approved

NOTE:
1. Spacing for sidelite screws: 6.5", 35.5", 57.25" and 85" from head to sill (4 total).



Documents Prepared By: Lyndon F. Schmidt, P.E.
TEXAS P.E. #104123

RW BUILDING CONSULTANTS, INC.
P.O. Box 230 Vairlico FL 33595
Phone No.: 813.659.9197

TEXAS BOARD OF PROFESSIONAL ENGINEERS
CERTIFICATE OF REGISTRATION # F-11852

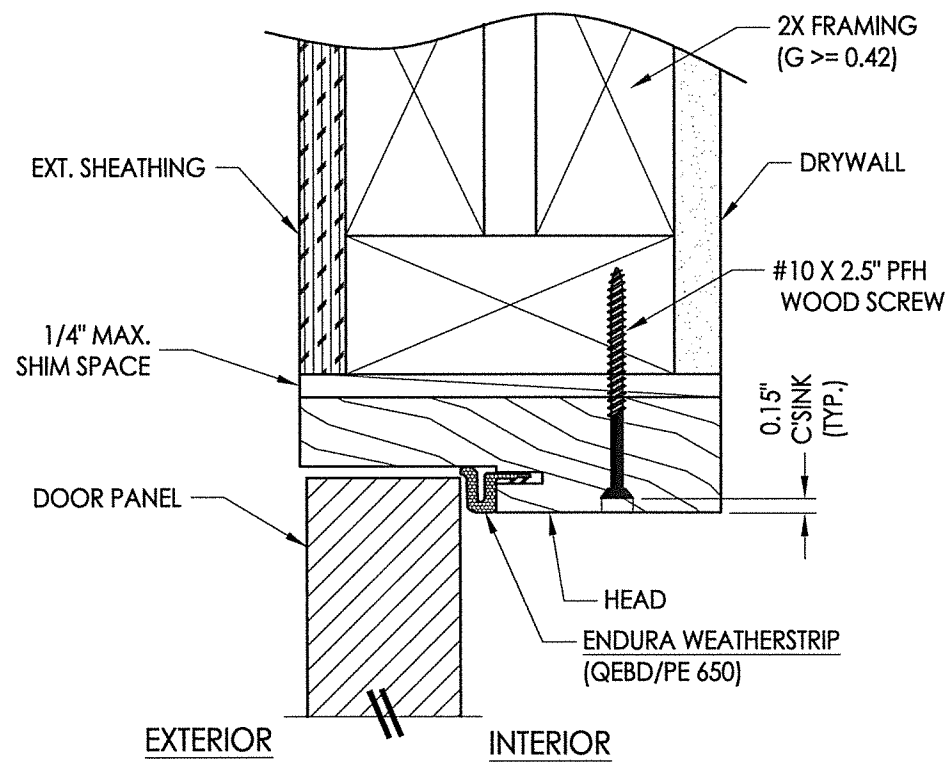
PRODUCT:	ENDURA
PART OR ASSEMBLY:	FIBERGLASS DOOR
CROSS SECTIONS:	HORIZONTAL

NO.	DATE	REVISIONS	BY
1	10/26/21	UPDATE TO 2018 IBC/IRC CODE	LFS

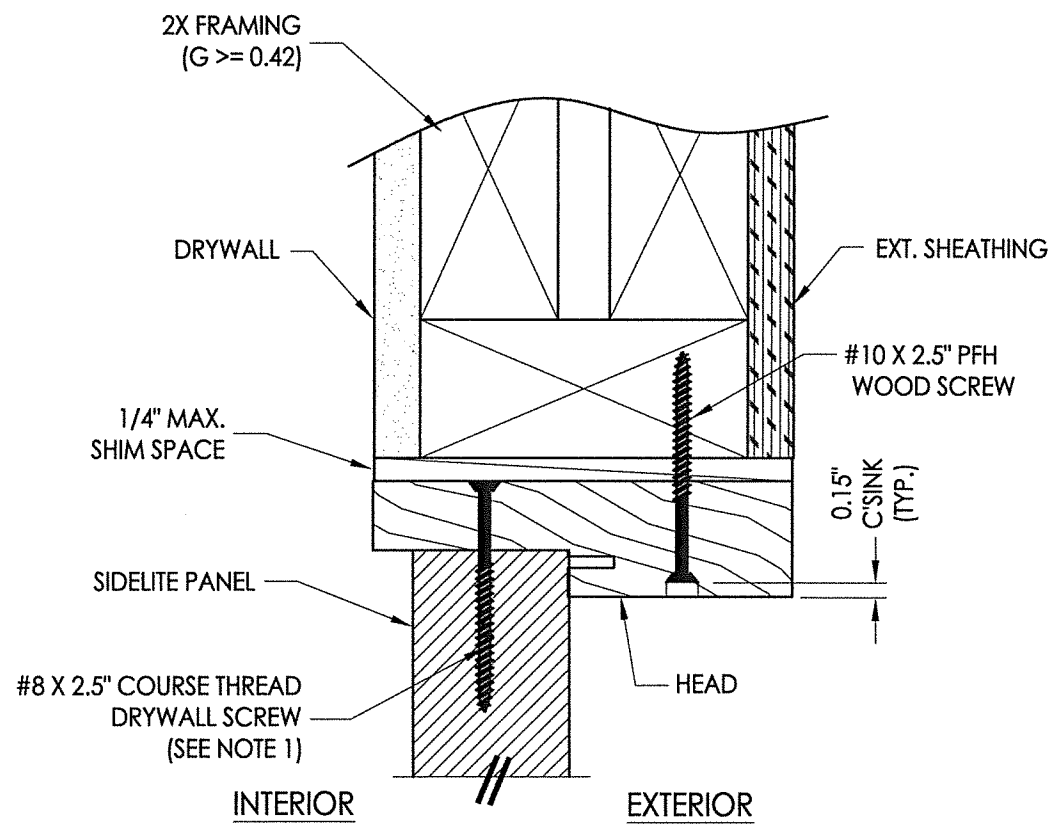
DATE:	11/09/16
SCALE:	N.T.S.
DWG. BY:	JK
CHK. BY:	LFS
DRAWING NO.:	TX-4661
SHEET	4 OF 7

© 2016 R.W. BUILDING CONSULTANTS INC.

Z:\Clients\Endura PERMANENT\B - Texas Dept of Ins\TDI - DR-853 Plastpro FG Opaque (Trilennium)\C - Drawings\TX-4658.59.61.62.dwg

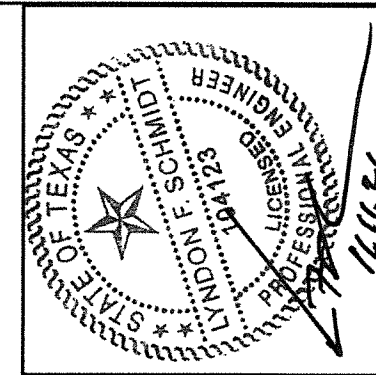


1 VERTICAL CROSS SECTION
5 Outswing shown - inswing also approved



2 VERTICAL CROSS SECTION
5 Inswing shown - Outswing also approved

NOTE:
 1. Spacing for sidelite screws:
 6" from each end (2 total).



Documents Prepared By: Lyndon F. Schmidt, P.E.
 TEXAS P.E. #104123

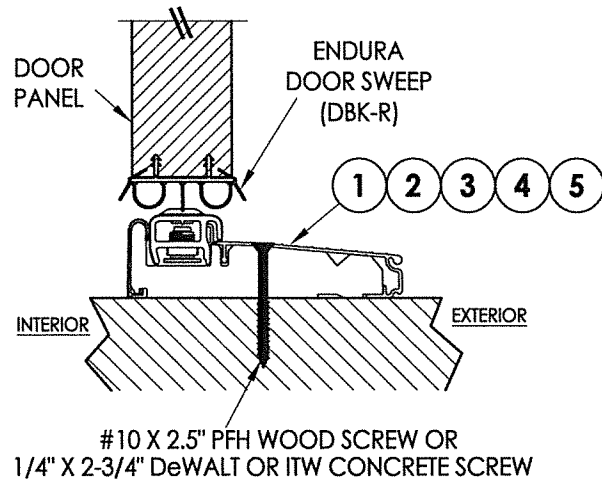
RW BUILDING CONSULTANTS, INC.
 P.O. Box 230 Valrico FL 33595
 Phone No.: 813.659.9197
 TEXAS BOARD OF PROFESSIONAL ENGINEERS
 CERTIFICATE OF REGISTRATION # F-11852

PRODUCT:	ENDURA
PART OR ASSEMBLY:	VERTICAL CROSS SECTIONS

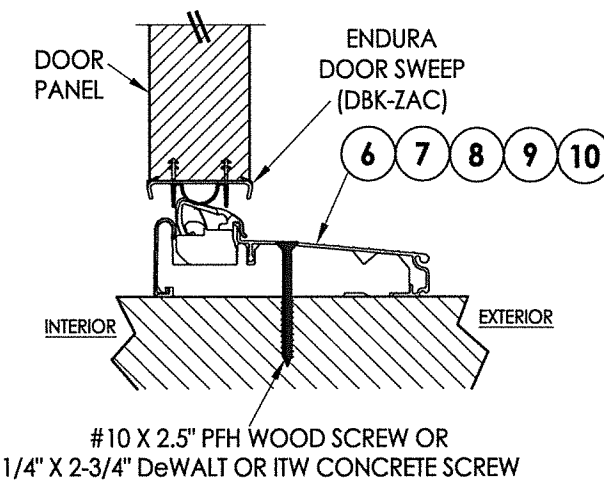
REVISIONS	
NO.	DATE
1	10/26/21
	UPDATE TO 2018 IBC/IRC CODE
	LFS BY

DATE:	11/09/16
SCALE:	N.T.S.
DWG. BY:	JK
CHK. BY:	LFS
DRAWING NO.:	TX-4661
SHEET	5 OF 7

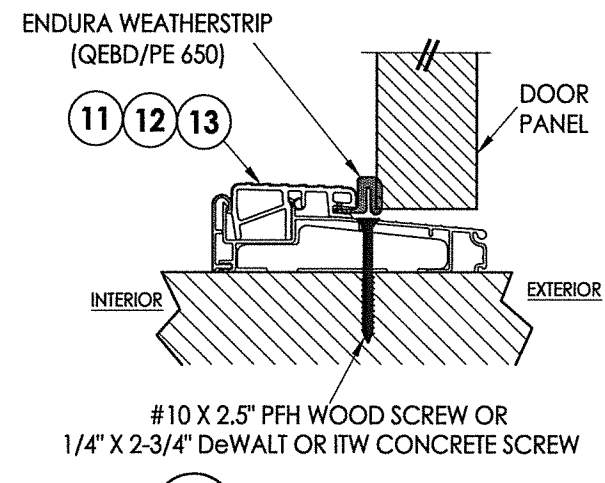
Z:\Clients\Endura PERMANENT\B - Texas Dept of Ins\TDI - DR-853 Plastpro FG Opaque (Trilennium)\C - Drawings\TX-4658.59.61.62.dwg



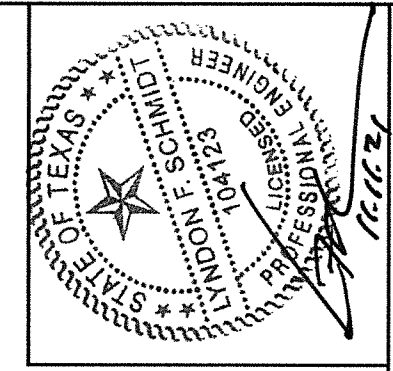
1 VERTICAL CROSS SECTION
6 Inswing Adjustable Threshold



2 VERTICAL CROSS SECTION
6 Inswing Articulating Threshold

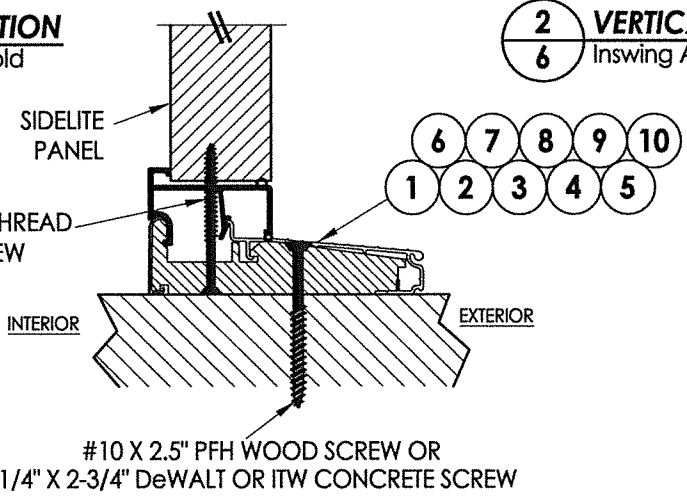


3 VERTICAL CROSS SECTION
6 Outswing Bump Threshold

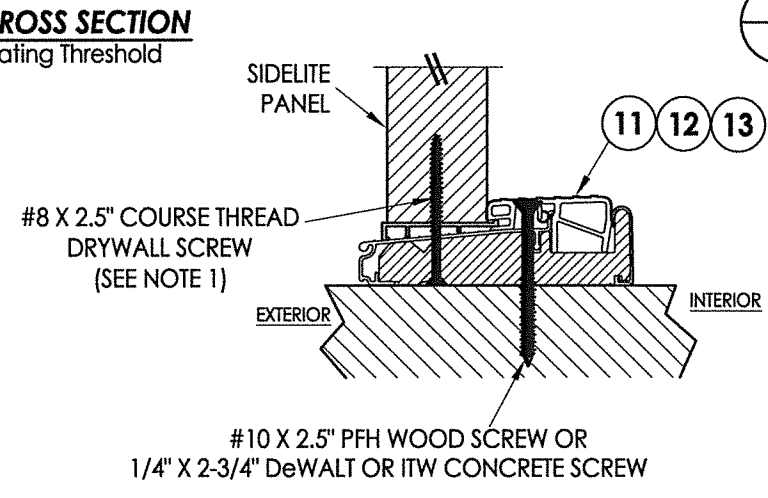


NOTE:
1. Spacing for sidelite screws:
6\"/>

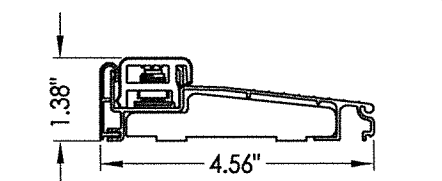
Documents Prepared By: Lyndon F. Schmidt, P.E.
TEXAS P.E. #104123
RW BUILDING CONSULTANTS, INC.
P.O. Box 230 Valrico FL 33595
Phone No.: 813.659.9197
TEXAS BOARD OF PROFESSIONAL ENGINEERS
CERTIFICATE OF REGISTRATION # F-11852



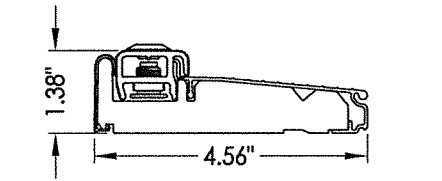
4 VERTICAL CROSS SECTION
6 Inswing configuration



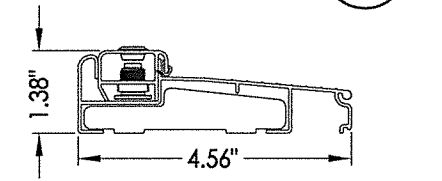
5 VERTICAL CROSS SECTION
6 Outswing configuration



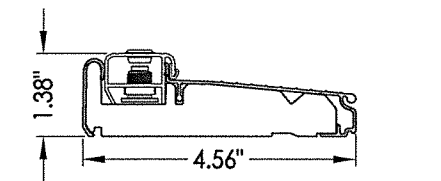
1 INSWING ADJUSTABLE THRESHOLD
ZAIL4565



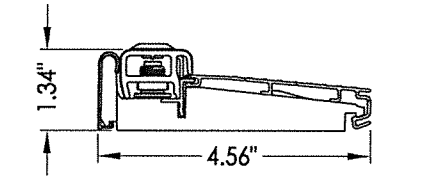
2 INSWING ADJUSTABLE THRESHOLD
ZAI4565FN



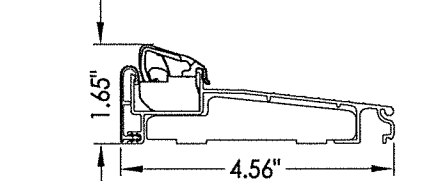
3 INSWING ADJUSTABLE THRESHOLD
ZAILAA4565



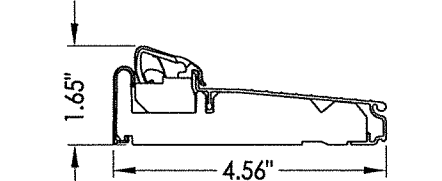
4 INSWING ADJUSTABLE THRESHOLD
ZAI4565FN



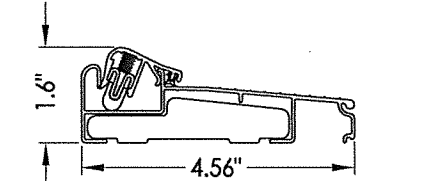
5 INSWING ADJUSTABLE THRESHOLD
ZAI4565RDS



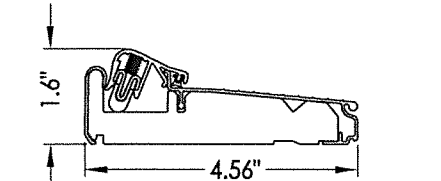
6 INSWING ARTICULATING THRESHOLD
ZACL4565



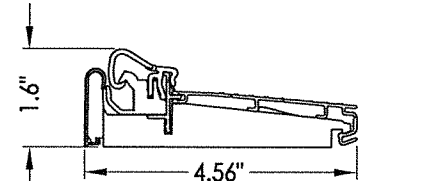
7 INSWING ARTICULATING THRESHOLD
ZAC4565FN



8 INSWING ARTICULATING THRESHOLD
ZACLA4565

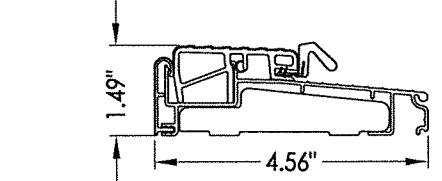


9 INSWING ARTICULATING THRESHOLD
ZACAA4565FN

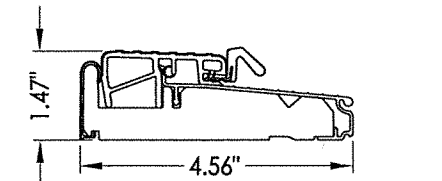


10 INSWING ARTICULATING THRESHOLD
ZAC4565RDS

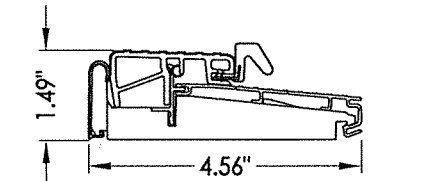
MAX. DESIGN PRESSURE = ±35 PSF



11 OUTSWING THRESHOLD
ZOBL4565



12 OUTSWING THRESHOLD
ZOB4565FN



13 OUTSWING THRESHOLD
ZOB4565RDS

PRODUCT:	ENDURA	
PART OR ASSEMBLY:	FIBERGLASS DOOR	
VERTICAL CROSS SECTIONS		
NO.	DATE	BY
1	10/26/21	LFS
REVISIONS		
DATE:	11/09/16	
SCALE:	N.T.S.	
DWG. BY:	JK	
CHK. BY:	LFS	
DRAWING NO.:	TX-4661	
SHEET	6	OF 7

© 2016 R.W. BUILDING CONSULTANTS INC.

