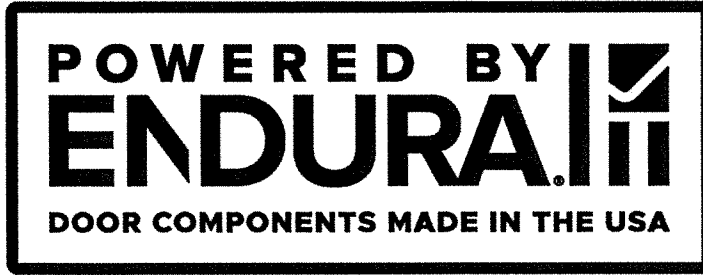


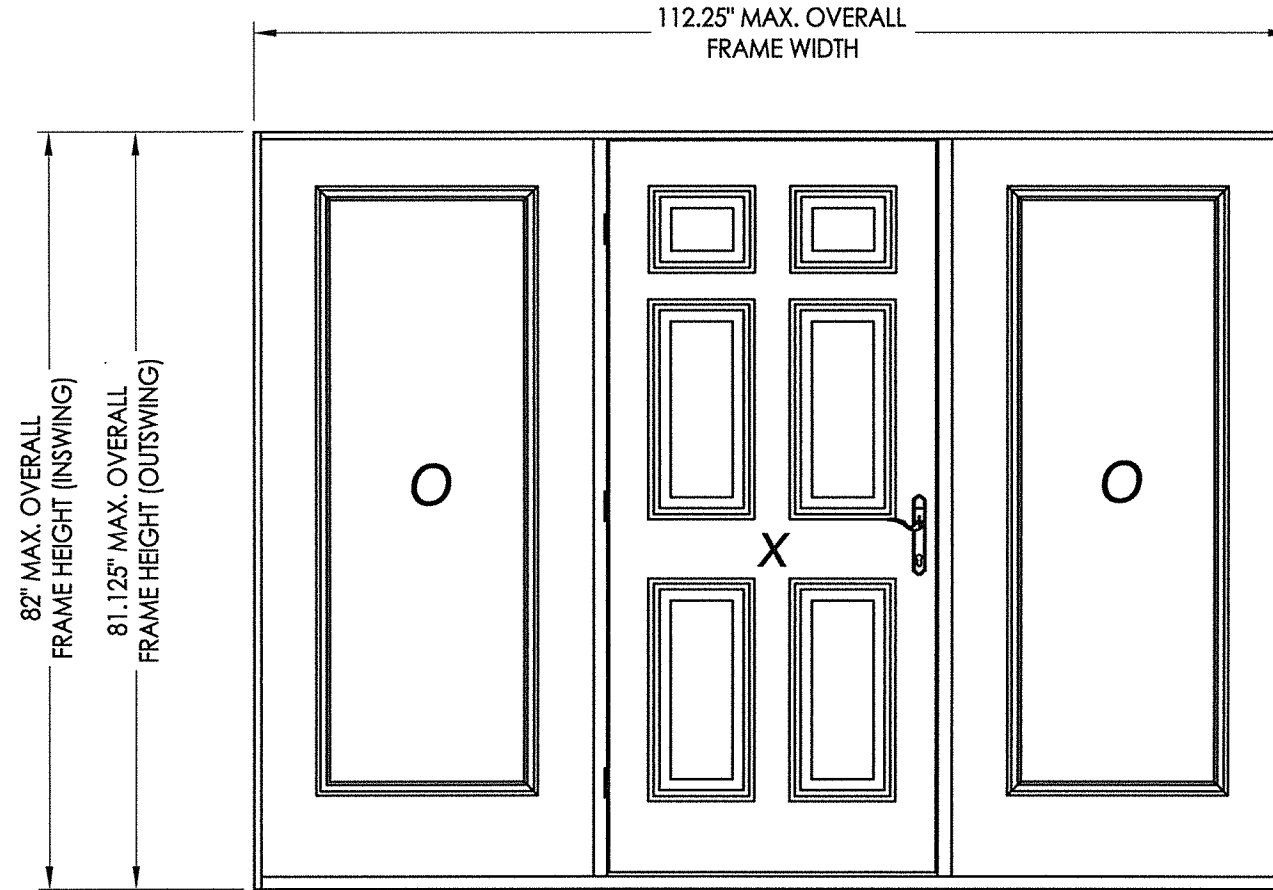
Z:\Clients\Endura PERMANENT\B - Texas Dept of Ins\TDI - DR-853 Plastpro FG Opaque (Trilennium)\C - Drawings\TX-4658.59.61.62.dwg



# Opaque Fiberglass Door

## "NON-IMPACT"

### IN SWING / OUT SWING



EVALUATED FOR USE IN THE STATE OF TEXAS

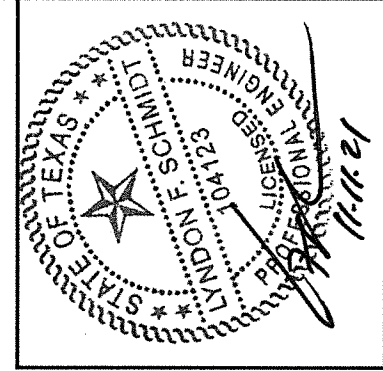
**DR-853**

The Fiberglass Door system described herein complies with the 2018 International Residential Code (IRC), Sections R301 & R609 and the 2018 International Building Code (IBC), Sections 1404.13, 1609, 1709.5, 2403 and 2404 subject to the following conditions:

1. Anchors shall be as listed and spaced as shown in the details. Anchor embedment to base material shall be beyond wall dressing or stucco.
2. When used in areas requiring wind-borne debris protection this product is required to be protected with an impact resistant covering that complies with Section R301.2.1.2 of the IRC and Section 1609.2 of the IBC.
3. Allowable design pressure requirements must be equal to or less than the design pressure rating shown in the design pressure chart, sheet 1 of this drawing.
4. Conditions not covered by this drawing are subject to further engineering analysis.

TABLE OF CONTENTS	
SHEET #	DESCRIPTION
1	Typical elevations, design pressures & general notes
2	Door panel details
3	Slidelite panel details (lip lite insert glazing)
4	Horizontal cross sections
5	Vertical cross sections
6	Vertical cross sections
7	Frame anchoring

CONFIG.	MODEL	DESIGN PRESSURE (PSF)	
		POSITIVE	NEGATIVE
OXO	IN SWING	+30.0	-30.0
OXO	OUT SWING	+35.0	-35.0



Documents Prepared By: Lyndon F. Schmidt, P.E.  
TEXAS P.E. #104123

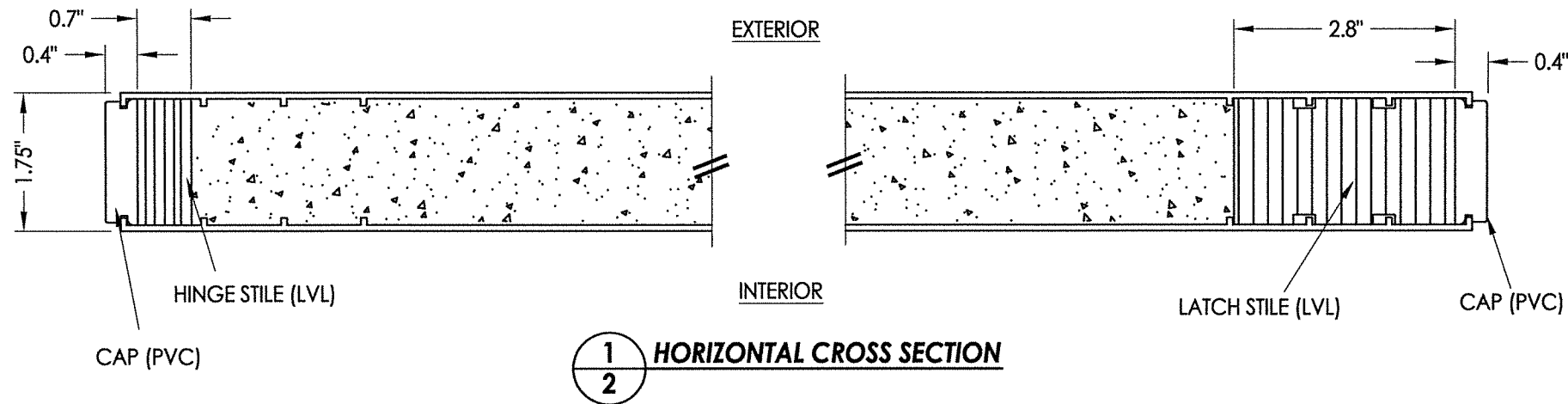
**RW** BUILDING CONSULTANTS, INC.  
P.O. Box 230 Valrico FL, 33595  
Phone No.: 813.659.9197  
TEXAS BOARD OF PROFESSIONAL ENGINEERS  
CERTIFICATE OF REGISTRATION # F-11852

PRODUCT: ENDURA  
PART OR ASSEMBLY: TYPICAL ELEVATION, DESIGN PRESSURES & GENERAL NOTES

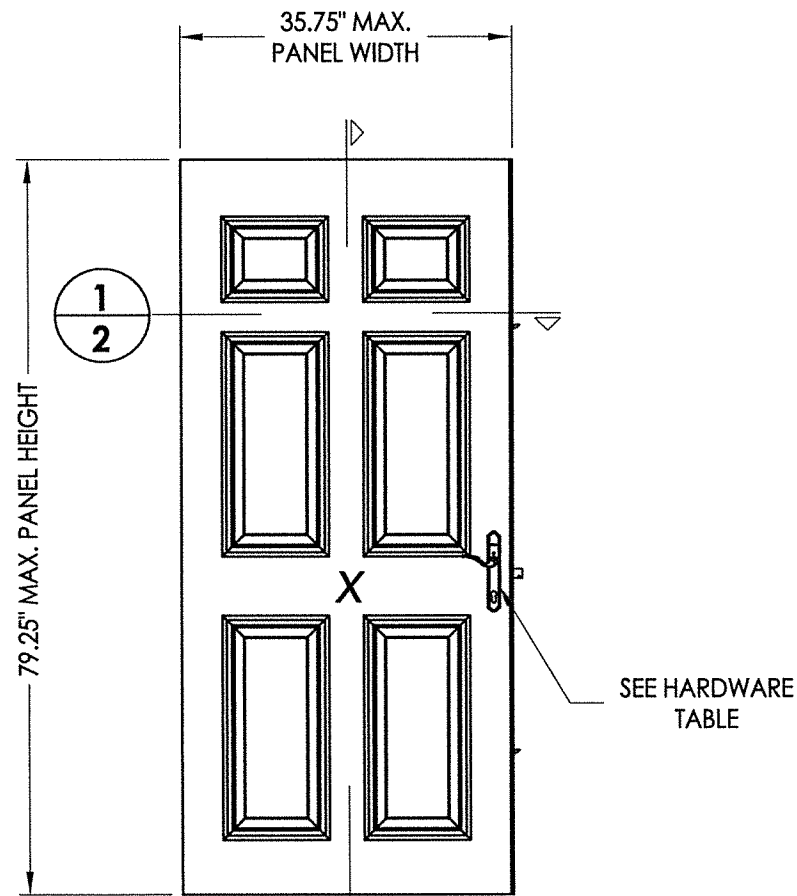
NO.	DATE	BY	REVISIONS
1	10/26/21	LFS	UPDATE TO 2018 IBC/IRC CODE

DATE: 11/09/16  
SCALE: N.T.S.  
DWG. BY: JK  
CHK. BY: LFS  
DRAWING NO.: TX-4658  
SHEET 1 OF 7

Z:\Clients\Endura PERMANENT\B - Texas Dept of Ins\TDI - DR-853 Plastpro FG Opaque (Trilennium)\C - Drawings\TX-4658.59.61.62.dwg

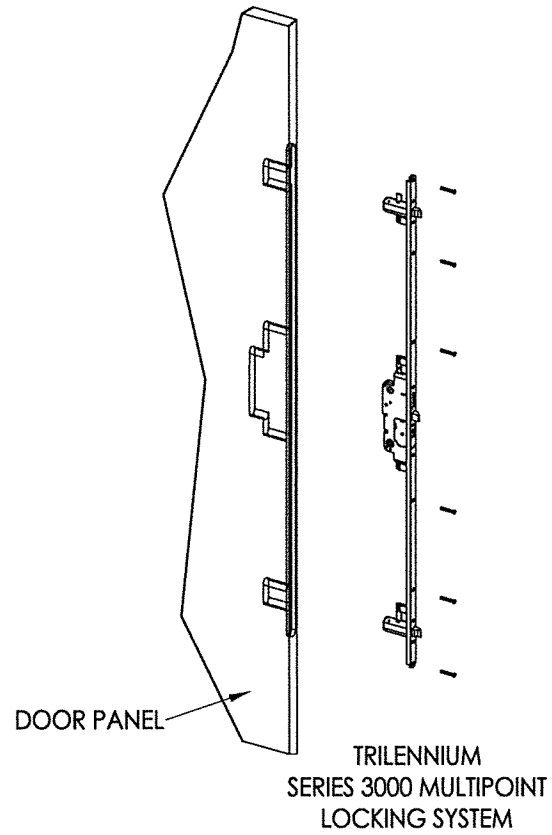


**1**  
**2** **HORIZONTAL CROSS SECTION**

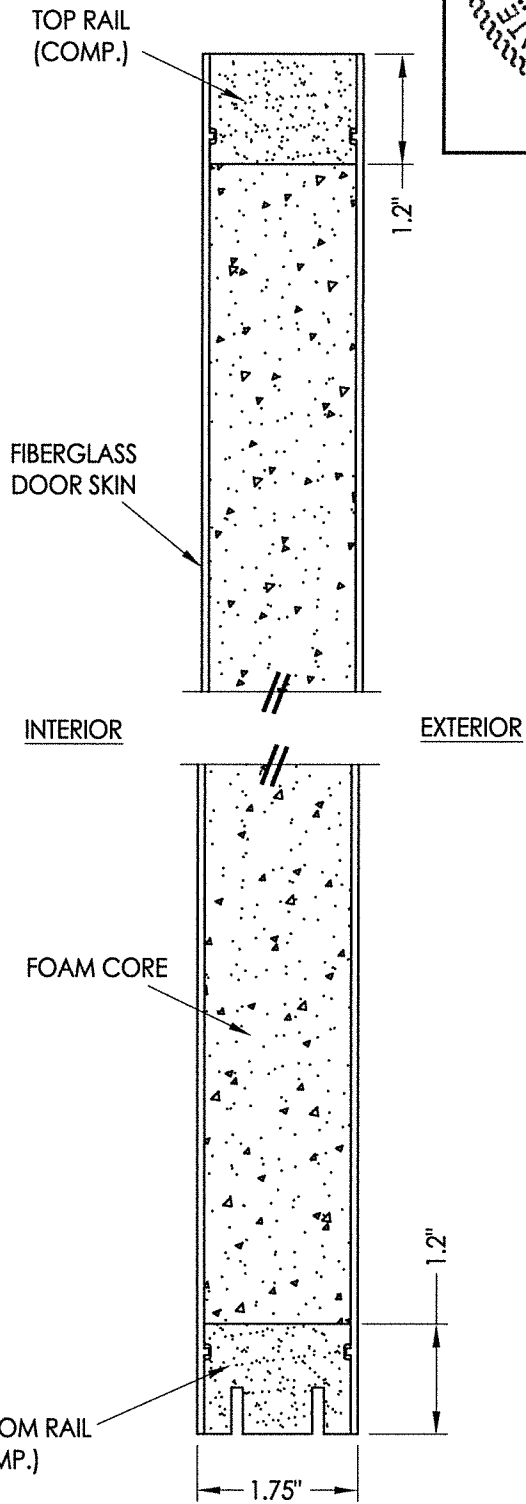


**2**  
**2** **DOOR PANEL**  
Plastpro  
Fiberglass

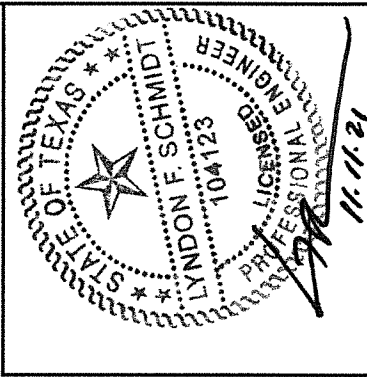
DOOR SKIN: FIBERGLASS (0.075" MIN. THICKNESS)  
CORE MATERIAL: POLYURETHANE FOAM (1.9 PCF MIN.)



HARDWARE TABLE	
MANUFACTURER	MODEL
Endura	Trilennium® 3000 Series Multipoint lock (3pt.)



**2**  
**2** **VERTICAL CROSS SECTION**

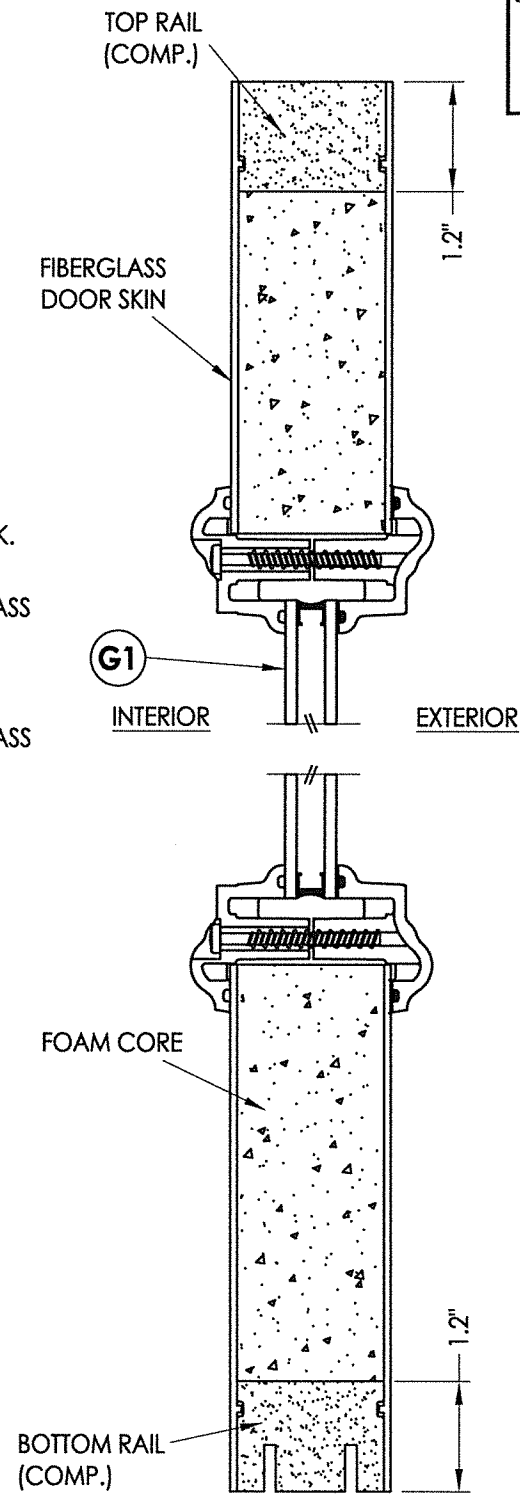
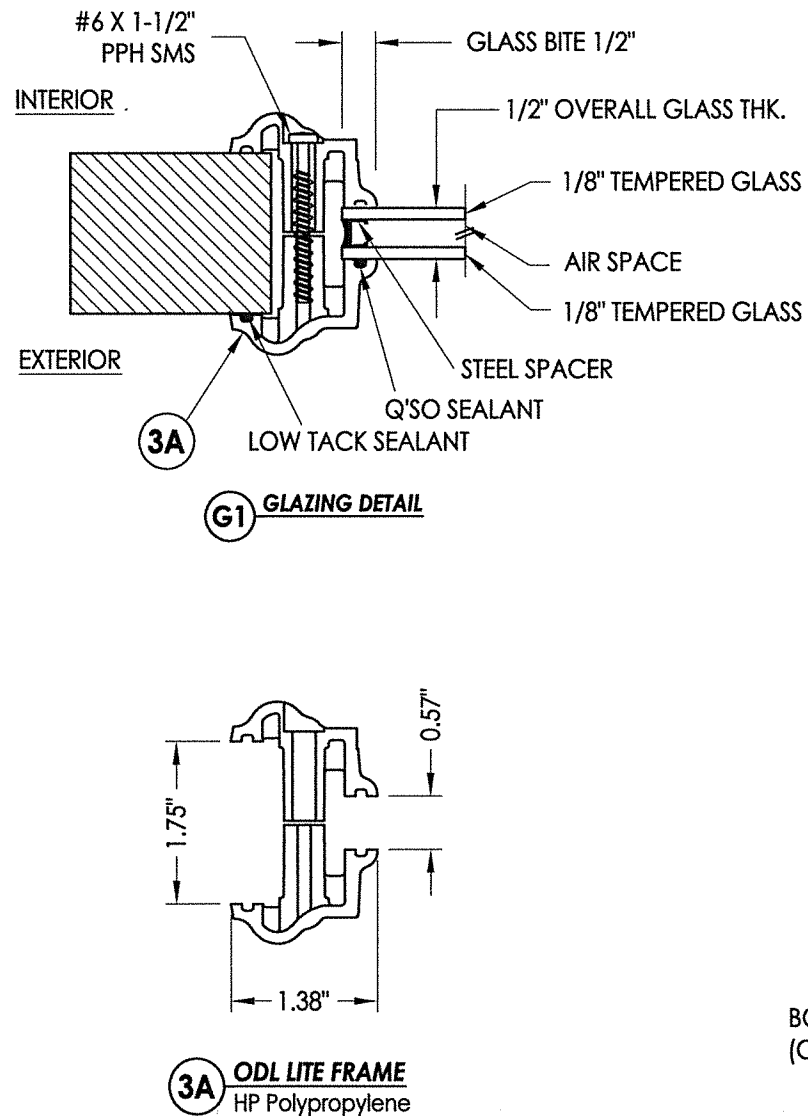
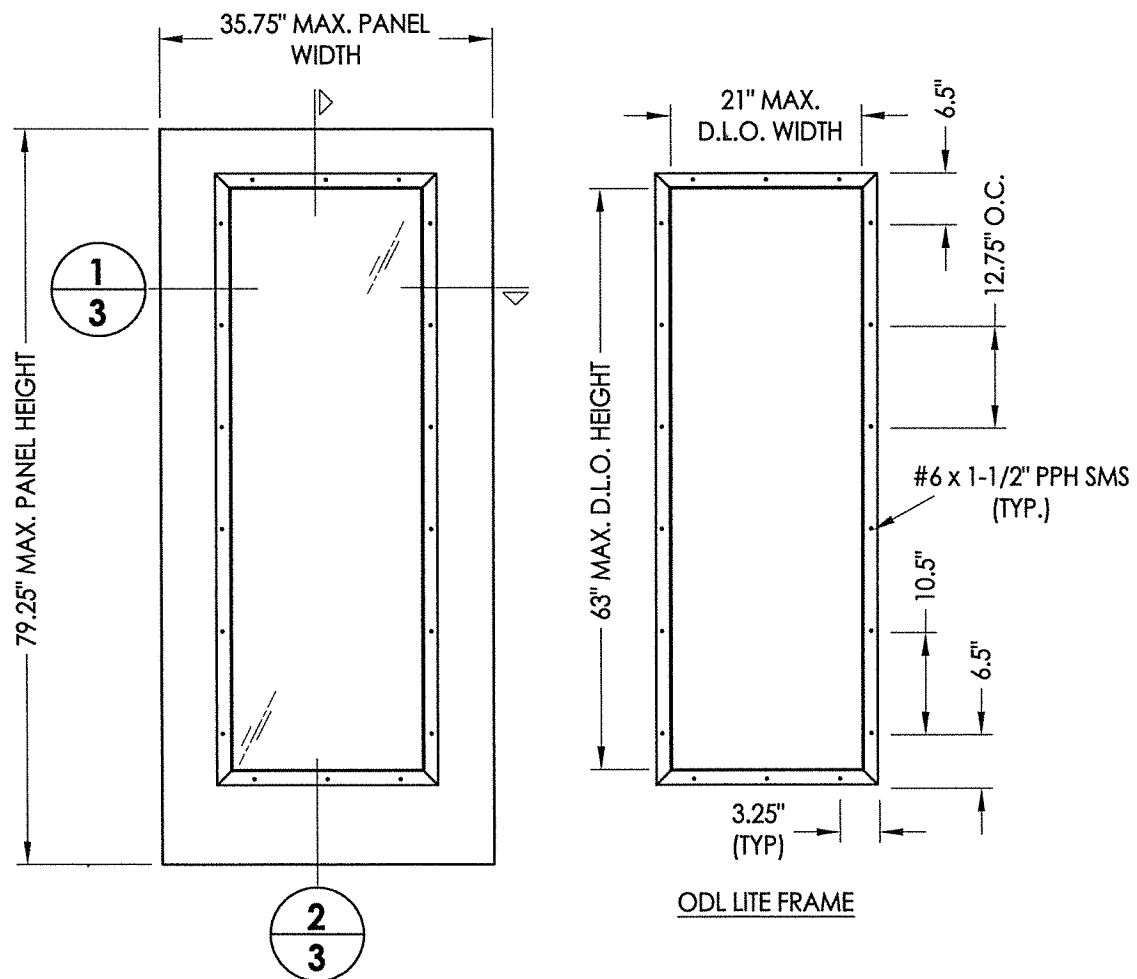
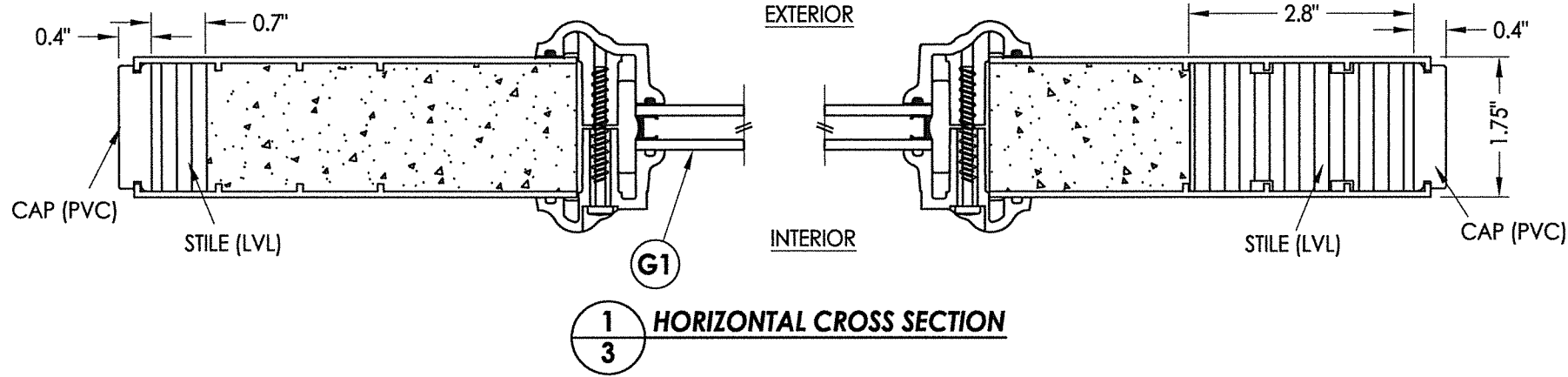


Documents Prepared By: Lyndon F. Schmidt, P.E.  
TEXAS P.E. #104123

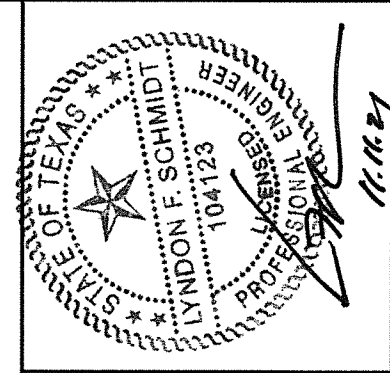
**RW** BUILDING CONSULTANTS, INC.  
P.O. Box 230 Valrico FL 33595  
Phone No.: 813.659.9197  
TEXAS BOARD OF PROFESSIONAL ENGINEERS  
CERTIFICATE OF REGISTRATION # F-11852

PRODUCT:	ENDURA			
PART OR ASSEMBLY:	DOOR PANEL DETAILS & GLAZING DETAIL			
NO.	1	DATE	10/26/21	UPDATE TO 2018 IBC/IRC CODE
BY	LFS			
REVISIONS				
DATE:	11/09/16			
SCALE:	N.T.S.			
DWG. BY:	JK			
CHK. BY:	LFS			
DRAWING NO.:	TX-4658			
SHEET	2	OF	7	

Z:\Clients\Endura PERMANENT\B - Texas Dept of Ins\TDI - DR-853 Plastpro FG Opaque (Trilennium)\C - Drawings\TX-4658.59.61.62.dwg



SIDELITE PANEL SKIN: FIBERGLASS (0.075" MIN. THICKNESS)  
CORE MATERIAL: POLYURETHANE FOAM (1.9 PCF MIN.)



Documents Prepared By: Lyndon F. Schmidt, P.E.  
TEXAS P.E. #104123

**RW** BUILDING CONSULTANTS, INC.  
P.O. Box 230 Valrico FL 33595  
Phone No.: 813.659.9197

TEXAS BOARD OF PROFESSIONAL ENGINEERS  
CERTIFICATE OF REGISTRATION # F-11852

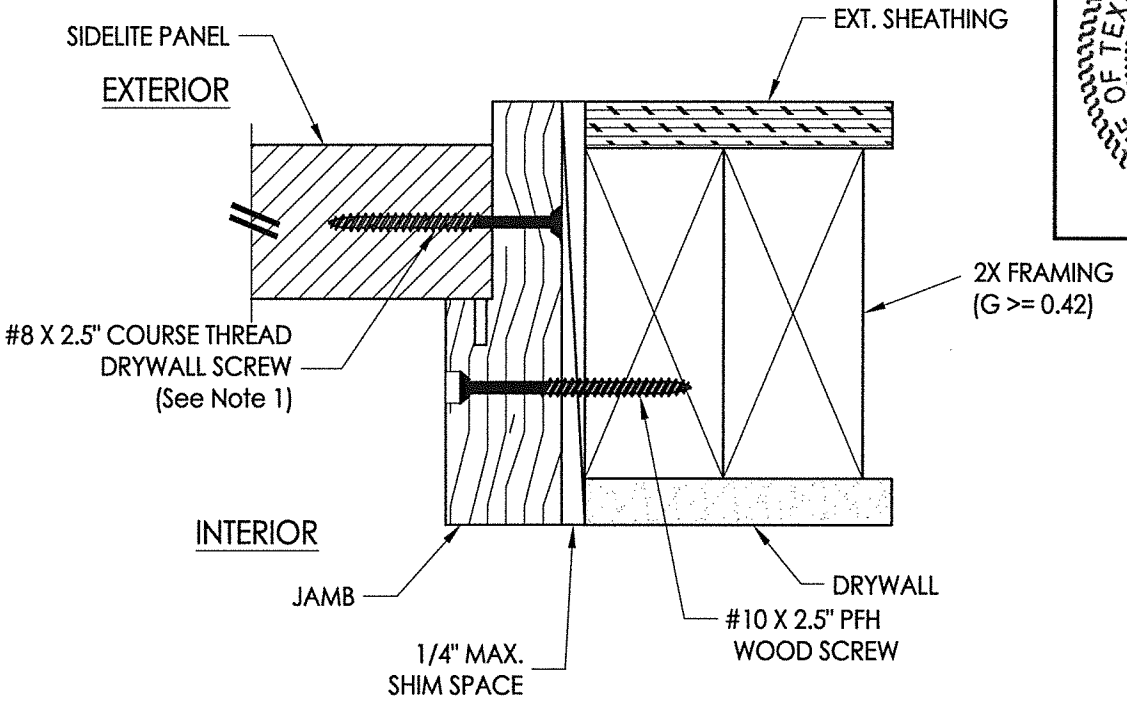
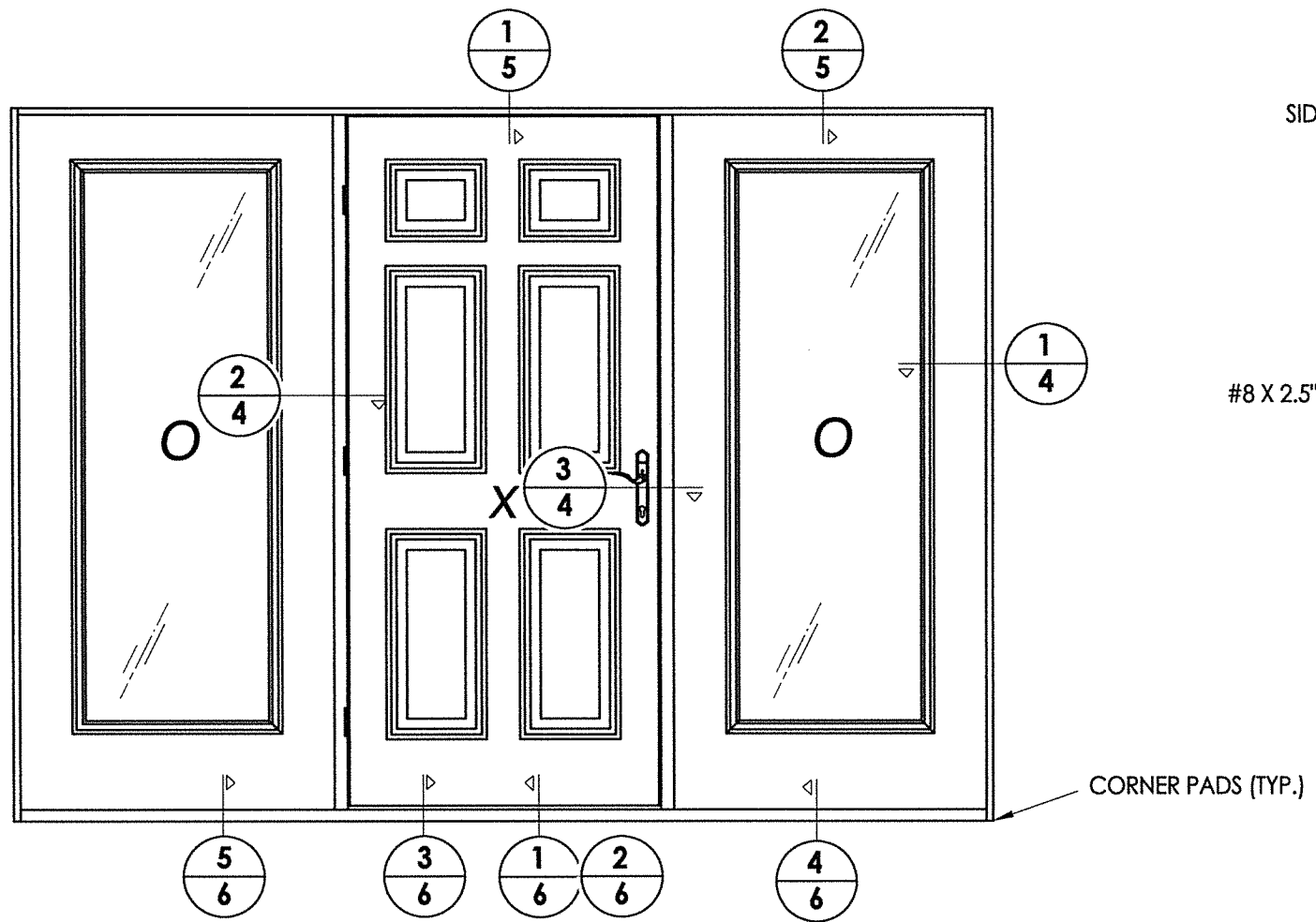
PRODUCT: ENDURA

PART OR ASSEMBLY:  
SIDELITE PANEL DETAILS  
(LIP LITE INSERT GLAZING)

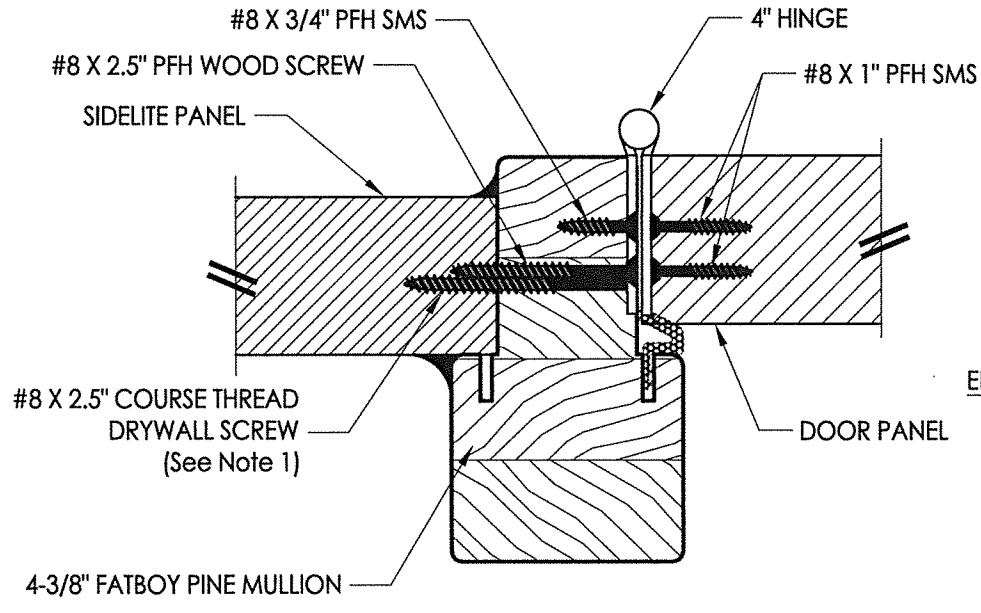
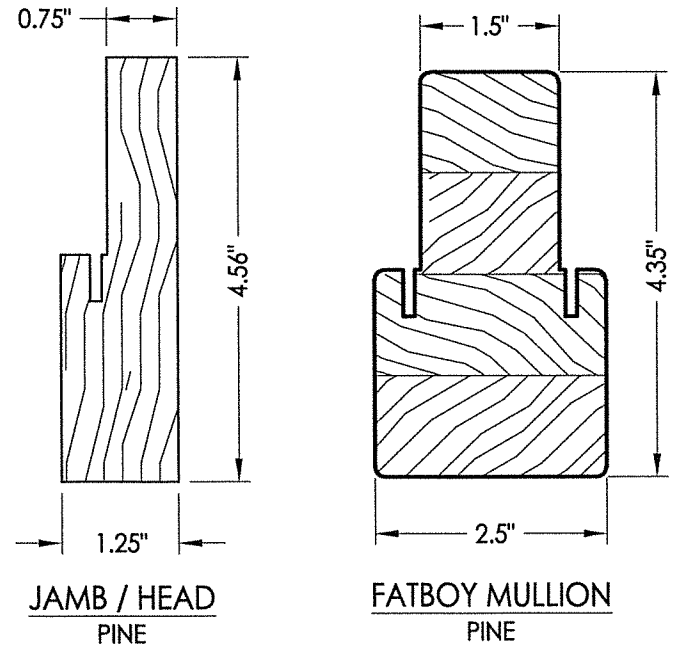
NO.	DATE	DESCRIPTION	BY
1	10/26/21	UPDATE TO 2018 IBC/IRC CODE	LFS

DATE: 11/09/16  
SCALE: N.T.S.  
DWG. BY: JK  
CHK. BY: LFS  
DRAWING NO.: TX-4658  
SHEET 3 OF 7

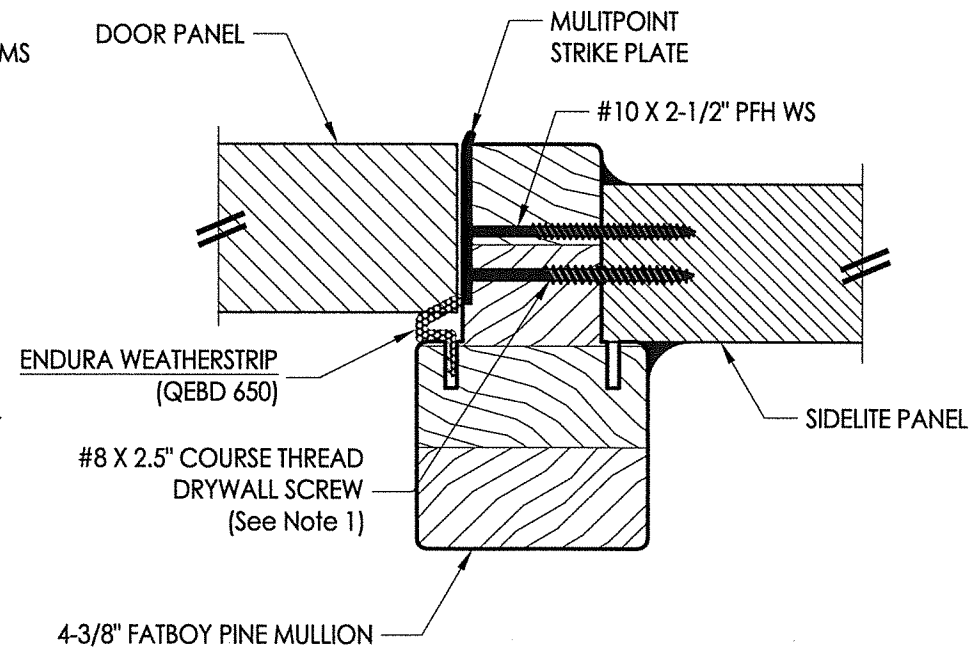
Z:\Clients\Endura PERMANENT\B - Texas Dept of Ins\TDI - DR-853 Plastpro FG Opaque (Trilennium)\C - Drawings\TX-4658.59.61.62.dwg



**1** **HORIZONTAL CROSS SECTION**  
**4** Outswing shown - Inswing also approved

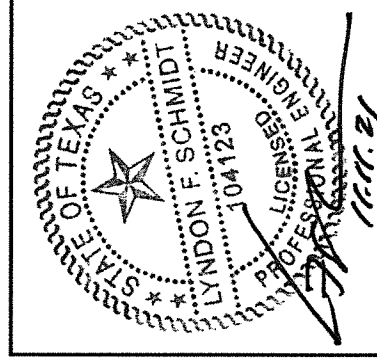


**2** **HORIZONTAL CROSS SECTION**  
**4** Outswing shown - Inswing also approved



**3** **HORIZONTAL CROSS SECTION**  
**4** Outswing shown - Inswing also approved

**NOTE:**  
 1. Spacing for sidelite screws: 6.5", 38.5" and 69" from head to sill (3 total).



Documents Prepared By: Lyndon F. Schmidt, P.E.  
 TEXAS P.E. #104123

**RW** BUILDING CONSULTANTS, INC.  
 P.O. Box 230 Valrico FL 33595  
 Phone No.: 813.659.9197

TEXAS BOARD OF PROFESSIONAL ENGINEERS  
 CERTIFICATE OF REGISTRATION # F-11852

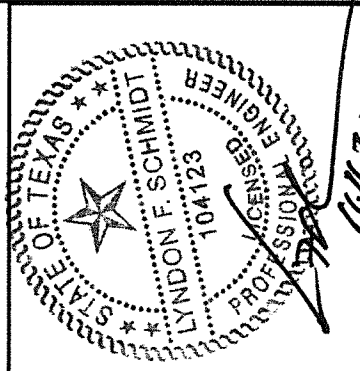
PRODUCT:	ENDURA
PART OR ASSEMBLY:	FIBERGLASS DOOR
	HORIZONTAL CROSS SECTIONS

NO.	DATE	DESCRIPTION	BY
1	10/26/21	UPDATE TO 2018 IBC/IRC CODE	LFS

DATE:	11/09/16
SCALE:	N.T.S.
DWG. BY:	JK
CHK. BY:	LFS
DRAWING NO.:	TX-4658
SHEET	4 OF 7

© 2016 R.W. BUILDING CONSULTANTS INC.

Z:\Clients\Endura PERMANENT\B - Texas Dept of Ins\TDI - DR-853 Plastpro FG Opaque (Trilennium)\C - Drawings\TX-4658-59.61.62.dwg

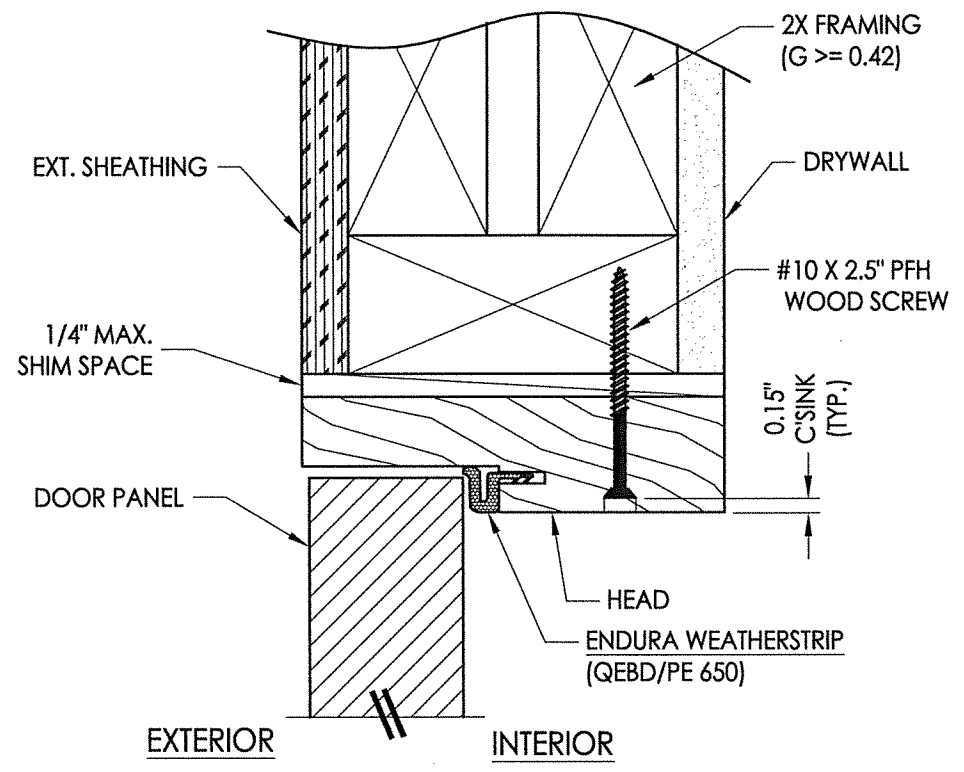


Documents Prepared By: Lyndon F. Schmidt, P.E.  
TEXAS P.E. #104123

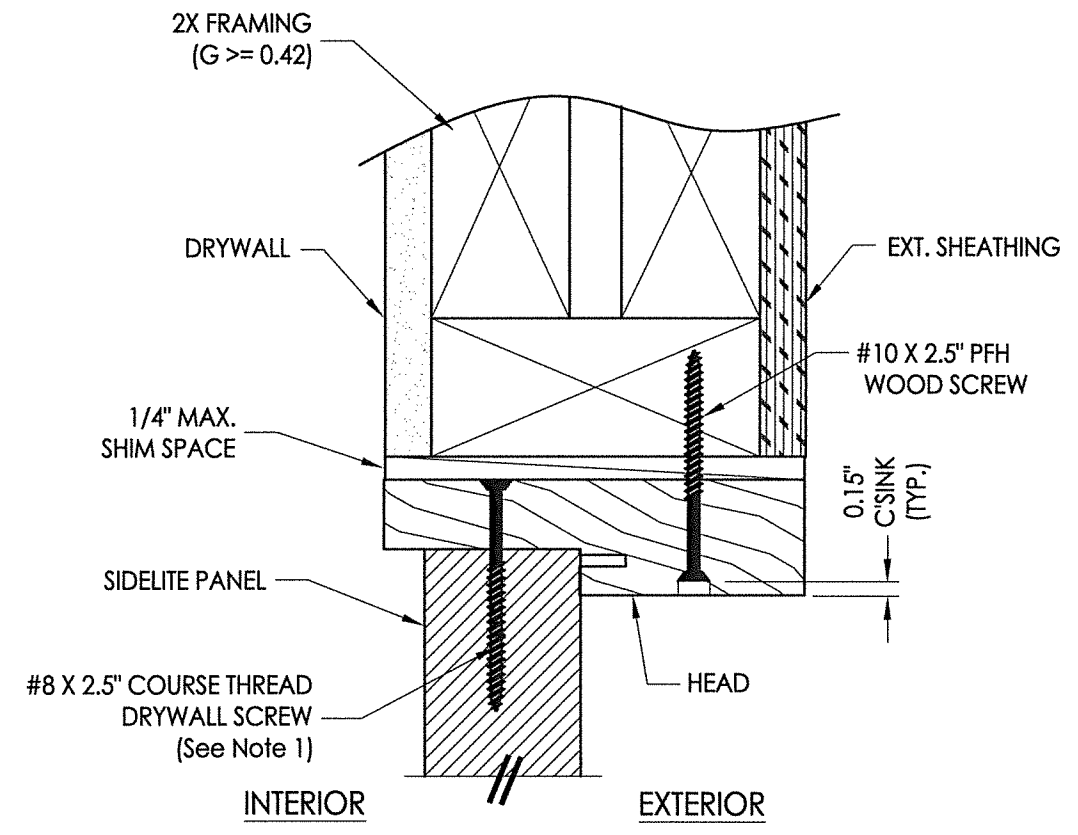
**RW** BUILDING CONSULTANTS, INC.  
P.O. Box 230 Valrico FL 33595  
Phone No.: 813.659.9197

TEXAS BOARD OF PROFESSIONAL ENGINEERS  
CERTIFICATE OF REGISTRATION # F-11852

NOTE:  
1. Spacing for sidelite screws:  
6" from each end (2 total).

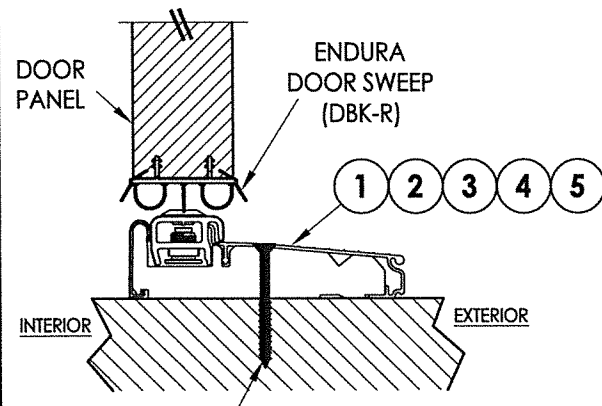


**1** VERTICAL CROSS SECTION  
**5** Outswing shown - inswing also approved



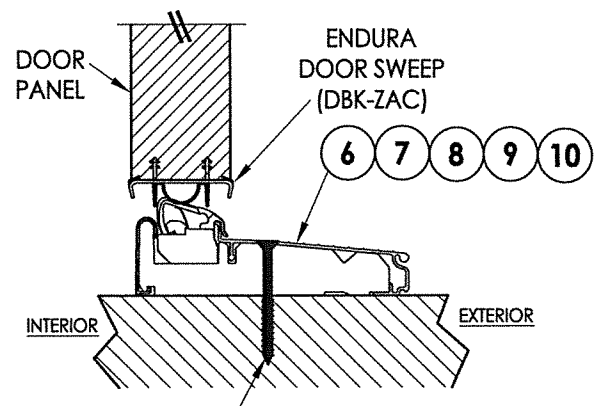
**2** VERTICAL CROSS SECTION  
**5** Inswing shown - Outswing also approved

PRODUCT: ENDURA	
PART OR ASSEMBLY: VERTICAL CROSS SECTIONS	
NO.	DATE
1	10/26/21
UPDATE TO 2018 IBC/IRC CODE	
LFS	BY
REVISIONS	
DATE: 11/09/16	
SCALE: N.T.S.	
DWG. BY: JK	
CHK. BY: LFS	
DRAWING NO.: TX-4658	
SHEET 5 OF 7	



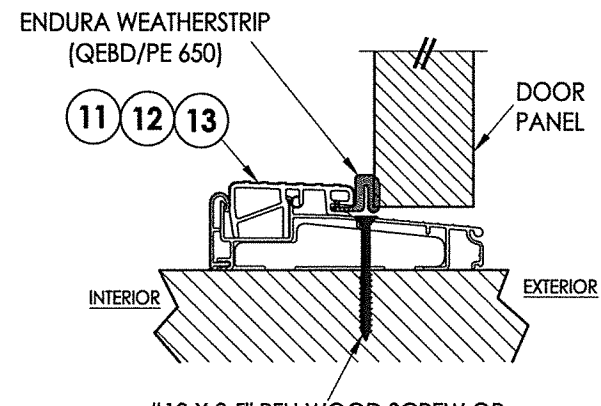
#10 X 2.5" PFH WOOD SCREW OR  
1/4" X 2-3/4" DeWALT OR ITW CONCRETE SCREW

**1** VERTICAL CROSS SECTION  
**6** Inswing Adjustable Threshold



#10 X 2.5" PFH WOOD SCREW OR  
1/4" X 2-3/4" DeWALT OR ITW CONCRETE SCREW

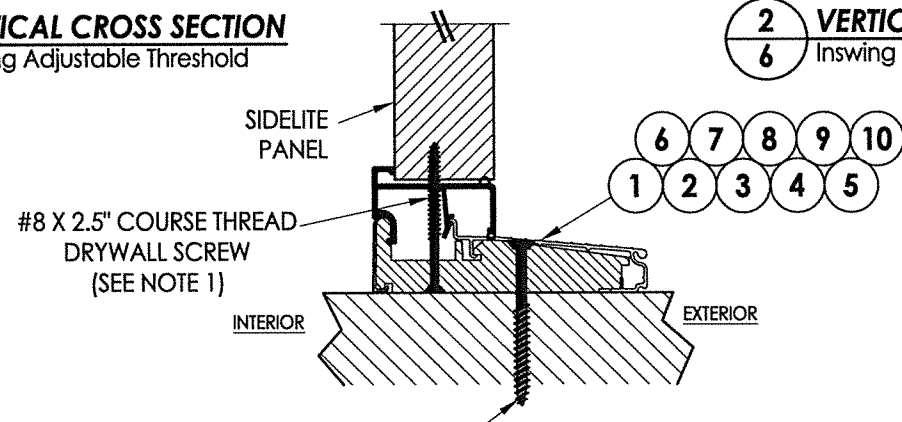
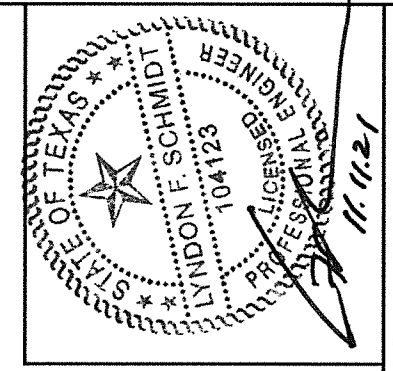
**2** VERTICAL CROSS SECTION  
**6** Inswing Articulating Threshold



#10 X 2.5" PFH WOOD SCREW OR  
1/4" X 2-3/4" DeWALT OR ITW CONCRETE SCREW

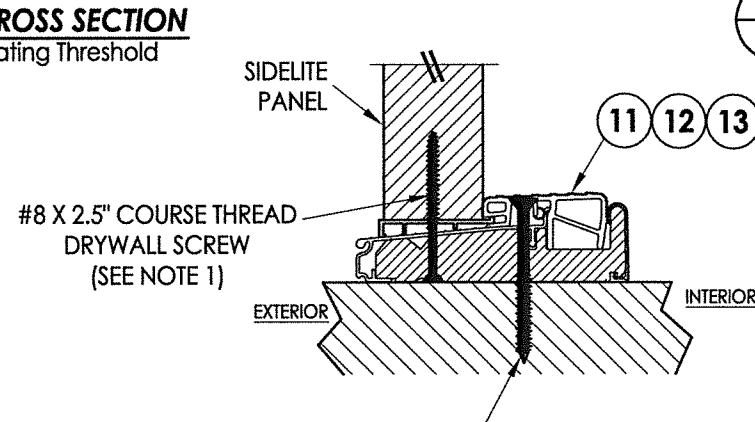
**3** VERTICAL CROSS SECTION  
**6** Outswing Bump Threshold

NOTE:  
1. Spacing for sidelite screws:  
6" from each end (2 total).



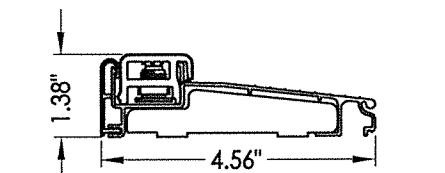
#10 X 2.5" PFH WOOD SCREW OR  
1/4" X 2-3/4" DeWALT OR ITW CONCRETE SCREW

**4** VERTICAL CROSS SECTION  
**6** Inswing configuration

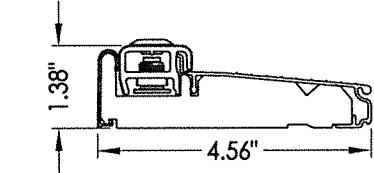


#10 X 2.5" PFH WOOD SCREW OR  
1/4" X 2-3/4" DeWALT OR ITW CONCRETE SCREW

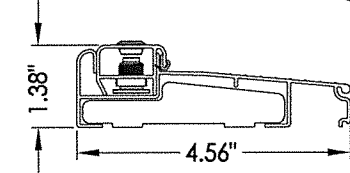
**5** VERTICAL CROSS SECTION  
**6** Outswing configuration



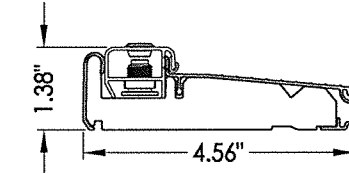
**1** INSWING ADJUSTABLE THRESHOLD  
ZAIL4565



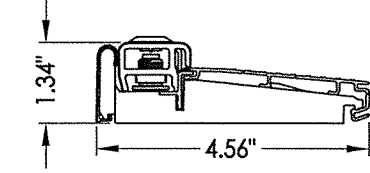
**2** INSWING ADJUSTABLE THRESHOLD  
ZAI4565FN



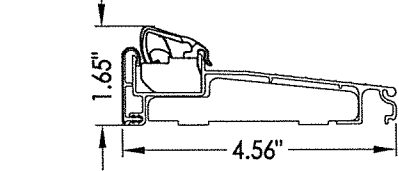
**3** INSWING ADJUSTABLE THRESHOLD  
ZAILAA4565



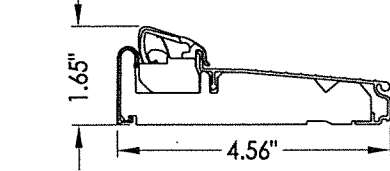
**4** INSWING ADJUSTABLE THRESHOLD  
ZAI4565FN



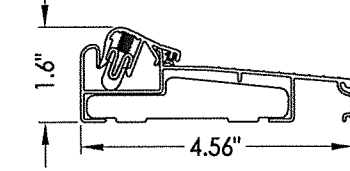
**5** INSWING ADJUSTABLE THRESHOLD  
ZAI4565RDS



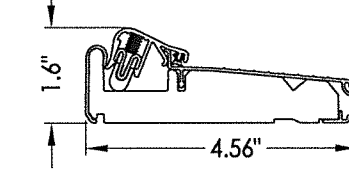
**6** INSWING ARTICULATING THRESHOLD  
ZACL4565



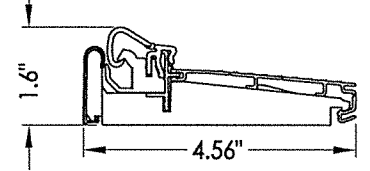
**7** INSWING ARTICULATING THRESHOLD  
ZAC4565FN



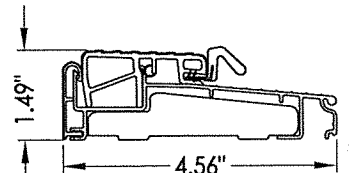
**8** INSWING ARTICULATING THRESHOLD  
ZACLA4565



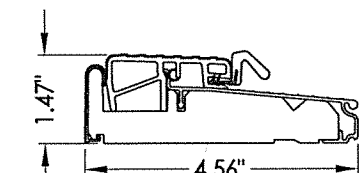
**9** INSWING ARTICULATING THRESHOLD  
ZACAA4565FN



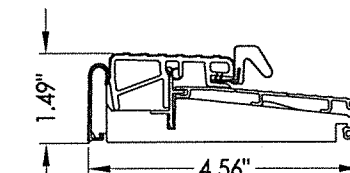
**10** INSWING ARTICULATING THRESHOLD  
ZAC4565RDS



**11** OUTSWING THRESHOLD  
ZOBL4565



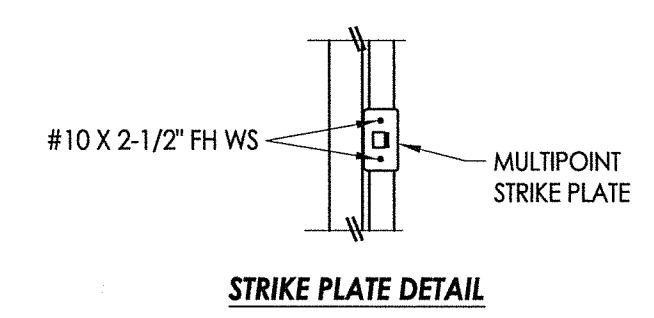
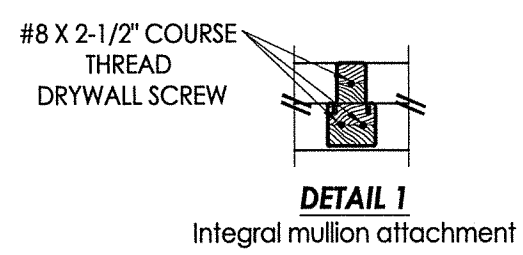
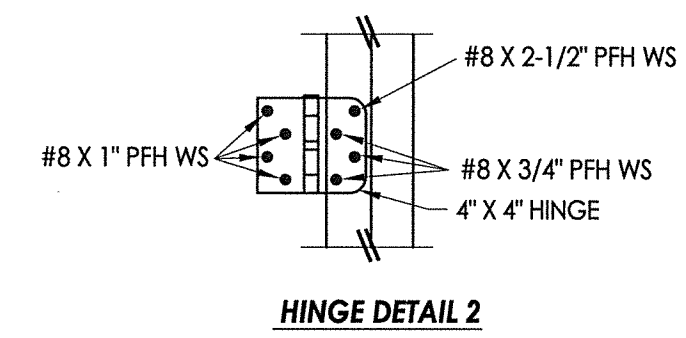
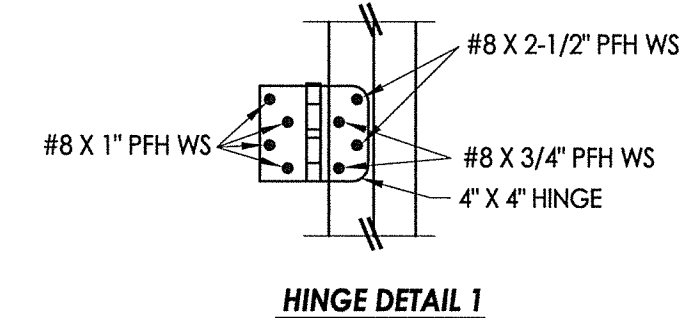
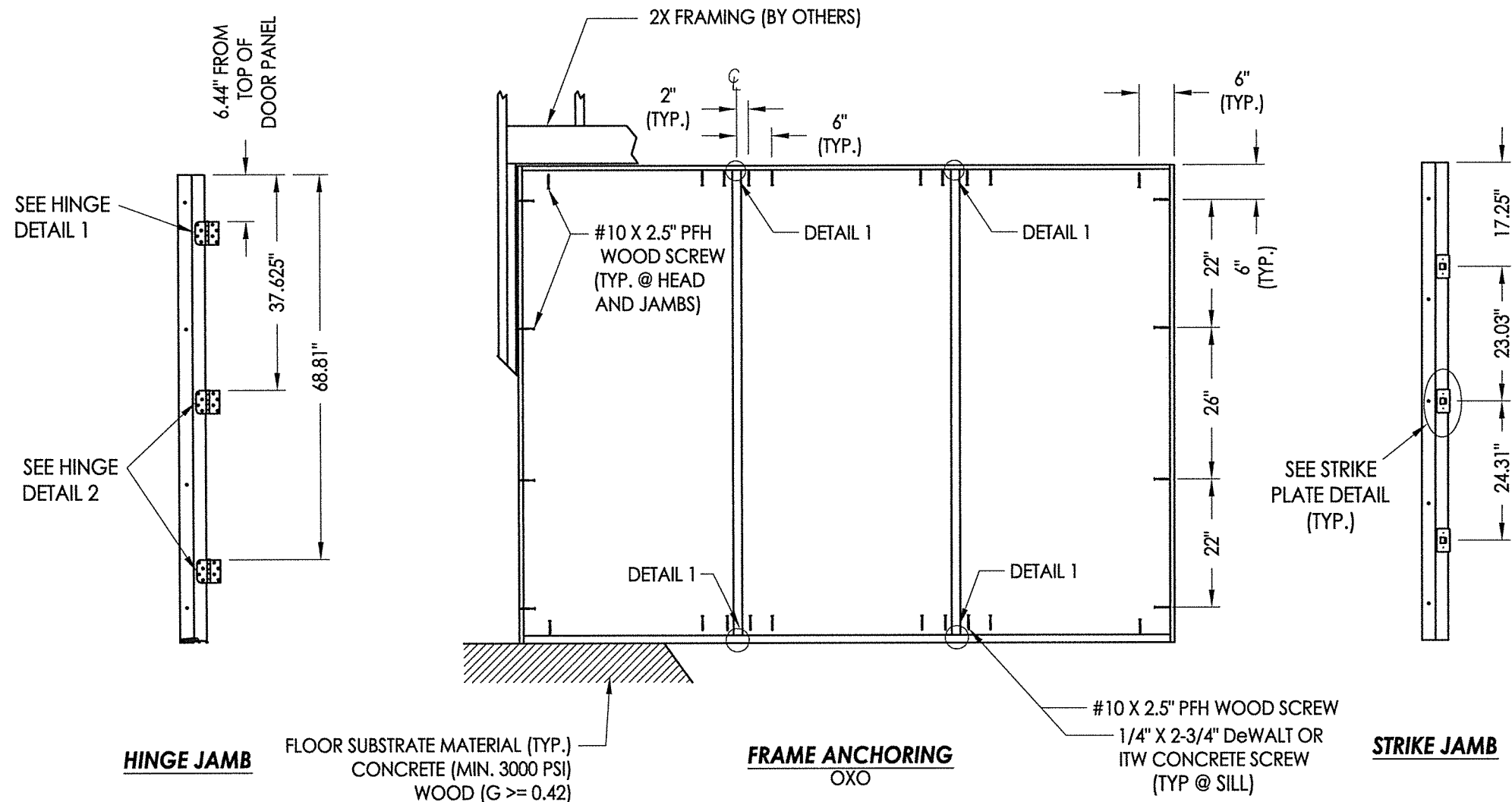
**12** OUTSWING THRESHOLD  
ZOB4565FN



**13** OUTSWING THRESHOLD  
ZOB4565RDS

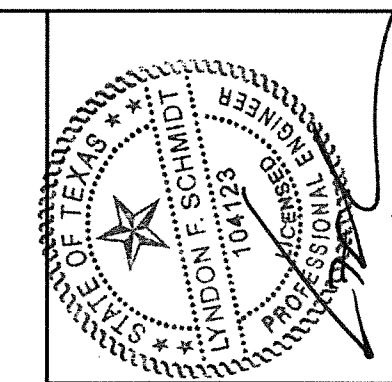
Documents Prepared By: Lyndon F. Schmidt, P.E. TEXAS P.E. #104123		BUILDING CONSULTANTS, INC. P.O. Box 230 Vairco FL, 33595 Phone No.: 813.699.9197	
PRODUCT: ENDURA		PART OR ASSEMBLY: FIBERGLASS DOOR	
REVISIONS		VERTICAL CROSS SECTIONS	
NO.	DATE	BY	
1	10/26/21	LFS	UPDATE TO 2018 IBC/IRC CODE
DATE: 11/09/16		SCALE: N.T.S.	
DWG. BY: JK		CHK. BY: LFS	
DRAWING NO.: TX-4658		SHEET 6 OF 7	

Z:\Clients\Endura PERMANENT\B - Texas Dept of Ins\TDI - DR-853 Plastpro FG Opaque (Trilennium)\C - Drawings\TX-4658.59.61.62.dwg



- CONCRETE ANCHOR NOTES:**
- Concrete anchor locations at the corners may be adjusted to maintain the min. edge distance to mortar joints.
  - Concrete anchor locations noted as "MAX. ON CENTER" must be adjusted to maintain the min. edge distance to mortar joints, additional concrete anchors may be required to ensure the "MAX. ON CENTER" dimension are not exceeded.
  - Concrete anchor table:

ANCHOR TYPE	ANCHOR SIZE	MIN. EMBEDMENT	MIN. CLEARANCE TO MASONRY EDGE	MIN. CLEARANCE TO ADJACENT ANCHOR
ITW TAPCON®	1/4"	1-3/4"	1-1/2"	4"
DeWALT ULTRACON+®	1/4"	1-3/4"	1"	4"



Documents Prepared By: Lyndon F. Schmidt, P.E.  
TEXAS P.E. #104123

**RW BUILDING CONSULTANTS, INC.**  
P.O. Box 230 Vairico FL 33595  
Phone No.: 813.659.9197

TEXAS BOARD OF PROFESSIONAL ENGINEERS  
CERTIFICATE OF REGISTRATION # F-11852

PRODUCT: ENDURA

PART OR ASSEMBLY: FRAME ANCHORING

NO.	DATE	REVISIONS
1	10/26/21	UPDATE TO 2018 IBC/IRC CODE

DATE: 11/09/16

SCALE: N.T.S.

DWG. BY: JK

CHK. BY: LFS

DRAWING NO.: TX-4658

SHEET 7 OF 7