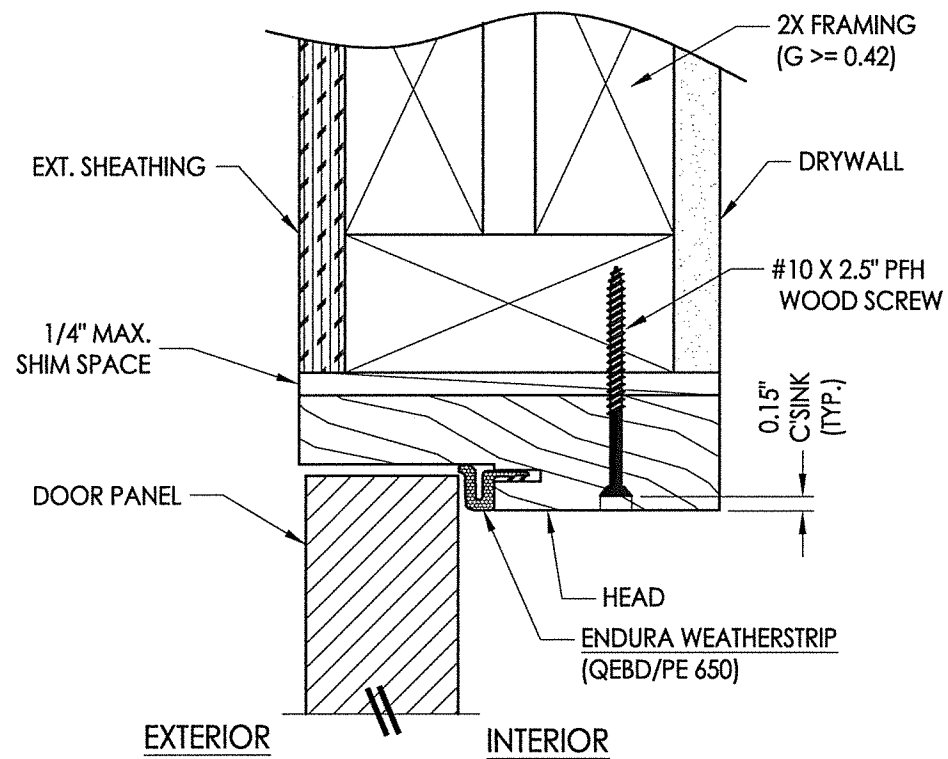
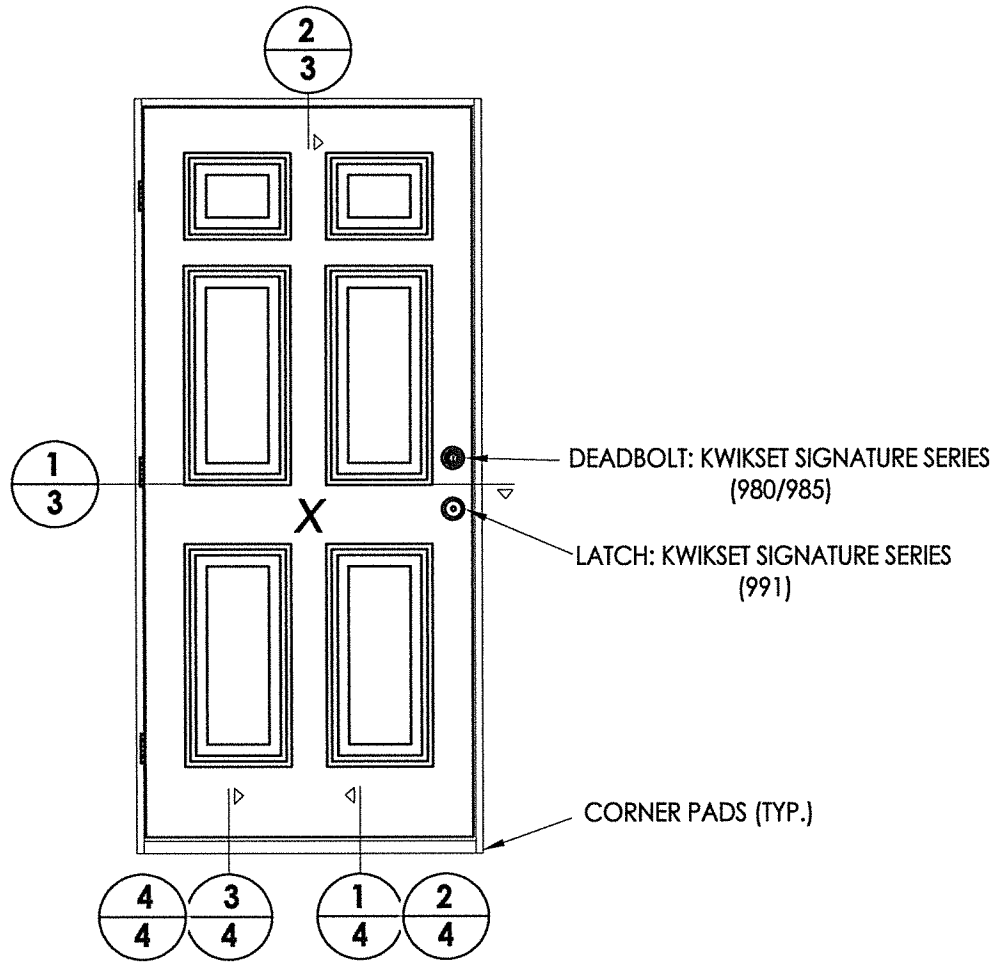


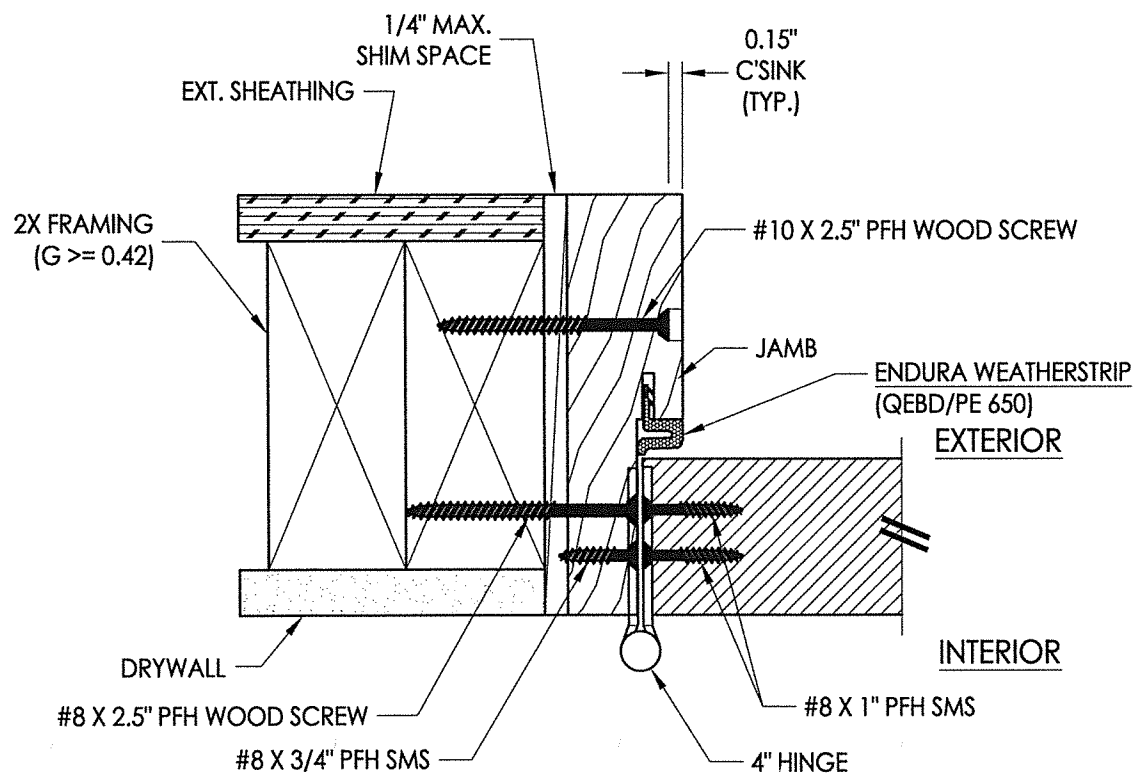




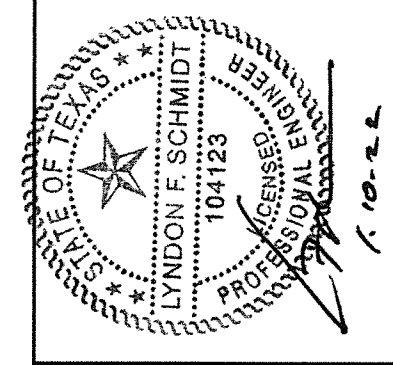
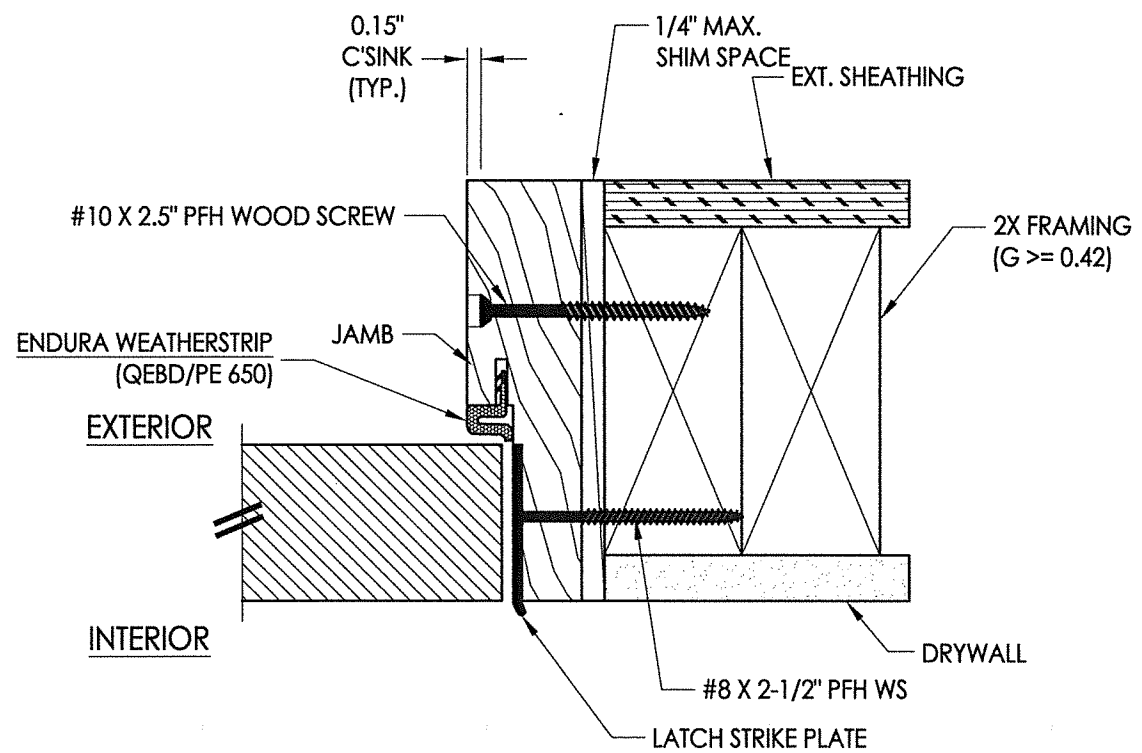
Z:\Clients\Endura PERMANENT\B - Texas Dept of Ins\TDI - DR-852 JELD-WEN Steel Opaque (L,K,DB)\C - Drawings\TX-4639.42.dwg



**2** VERTICAL CROSS SECTION  
**3** Outswing shown - inswing also approved



**1** HORIZONTAL CROSS SECTION  
**3** Inswing shown - Outswing also approved



Documents Prepared By: Lyndon F. Schmidt, P.E.  
 TEXAS P.E. #104123

**RW** BUILDING CONSULTANTS, INC.  
 P.O. Box 230 Valrico FL 33595  
 Phone No.: 813.659.9197  
 TEXAS BOARD OF PROFESSIONAL ENGINEERS  
 CERTIFICATE OF REGISTRATION # F-11852

PRODUCT: ENDURA

PART OR ASSEMBLY:  
 HORIZONTAL & VERTICAL  
 CROSS SECTIONS

NO.	DATE	BY	REVISIONS
1	11/10/21	LFS	UPDATE TO 2018 IBC/IRC CODE

DATE: 10/27/16

SCALE: N.T.S.

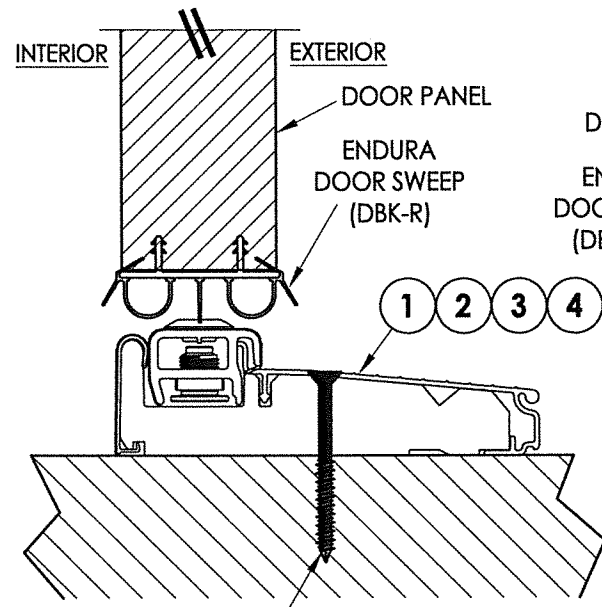
DWG. BY: JK

CHK. BY: LFS

DRAWING NO.: TX-4639

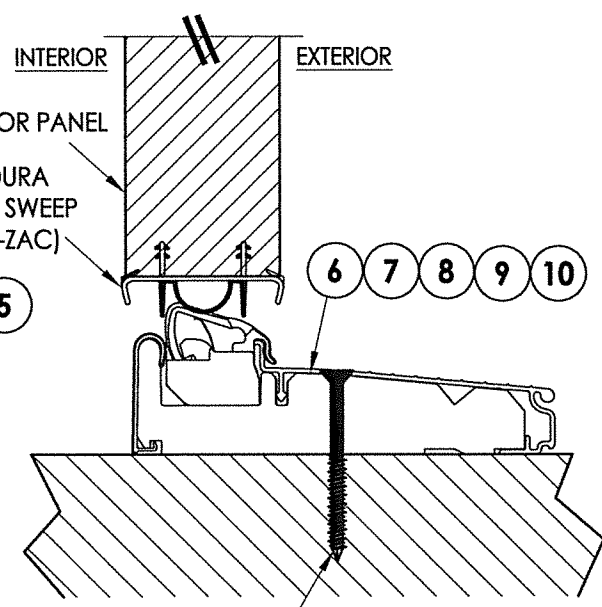
SHEET 3 OF 5

Z:\Clients\Endura PERMANENT\B - Texas Dept of Ins\TDI - DR-852 JELD-WEN Steel Opaque (LK,DB)\C - Drawings\TX-4639.42.dwg



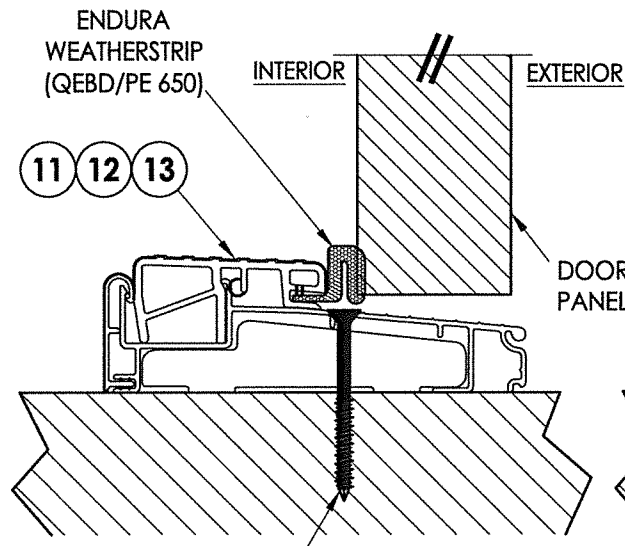
#10 X 2.5" PFH WOOD SCREW OR  
1/4" X 2-3/4" DeWALT OR ITW CONCRETE SCREW

**1 VERTICAL CROSS SECTION**  
**4** Inswing Adjustable Threshold



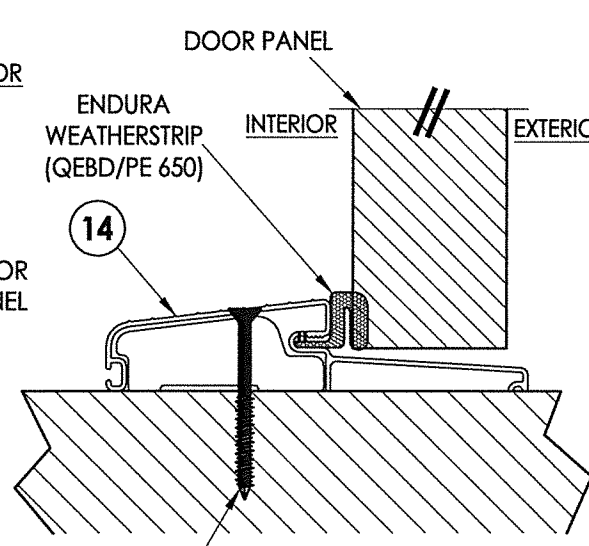
#10 X 2.5" PFH WOOD SCREW OR  
1/4" X 2-3/4" DeWALT OR ITW CONCRETE SCREW

**2 VERTICAL CROSS SECTION**  
**4** Inswing Articulating Threshold



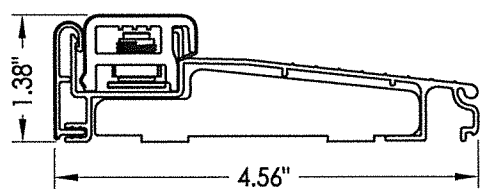
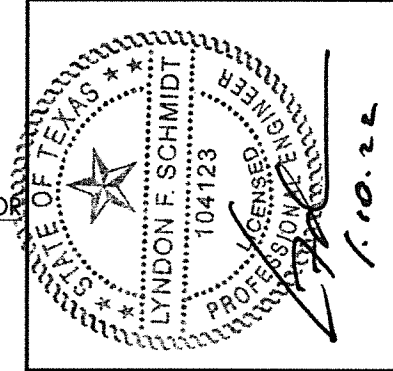
#10 X 2.5" PFH WOOD SCREW OR  
1/4" X 2-3/4" DeWALT OR ITW CONCRETE SCREW

**3 VERTICAL CROSS SECTION**  
**4** Inswing Adjustable Threshold

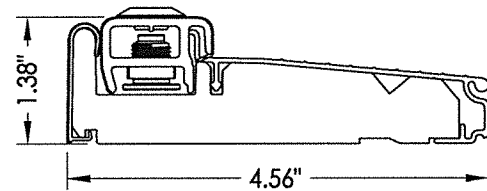


#10 X 2.5" PFH WOOD SCREW OR  
1/4" X 2-3/4" DeWALT OR ITW CONCRETE SCREW

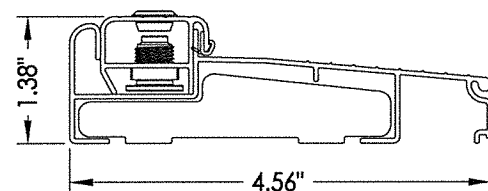
**4 VERTICAL CROSS SECTION**  
**4** Inswing Articulating Threshold



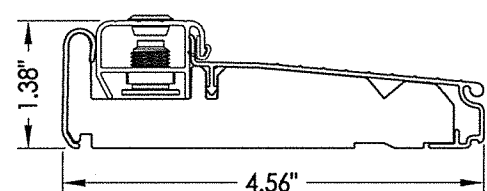
**1 INSWING ADJUSTABLE THRESHOLD**  
ZAIL4565



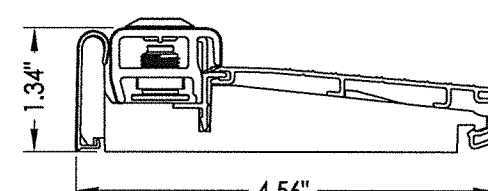
**2 INSWING ADJUSTABLE THRESHOLD**  
ZAI4565FN



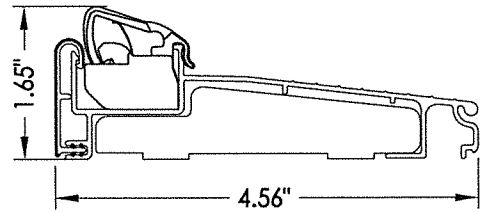
**3 INSWING ADJUSTABLE THRESHOLD**  
ZAILAA4565



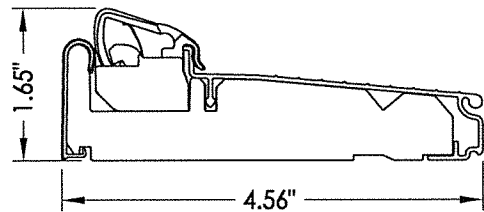
**4 INSWING ADJUSTABLE THRESHOLD**  
ZAI4565FN



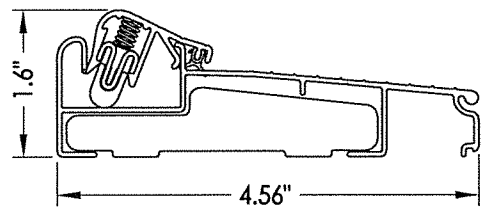
**5 INSWING ADJUSTABLE THRESHOLD**  
ZAI4565RDS



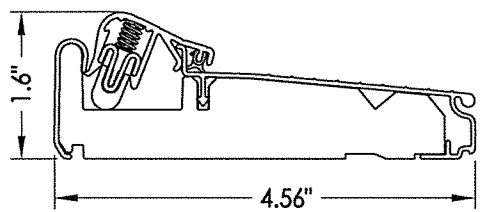
**6 INSWING ARTICULATING THRESHOLD**  
ZACL4565



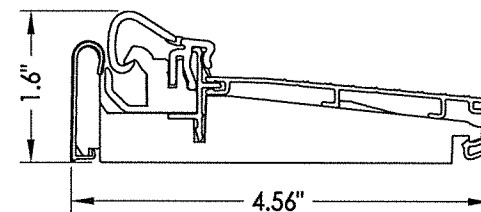
**7 INSWING ARTICULATING THRESHOLD**  
ZAC4565FN



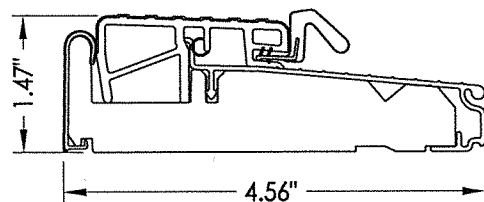
**8 INSWING ARTICULATING THRESHOLD**  
ZACLAA4565



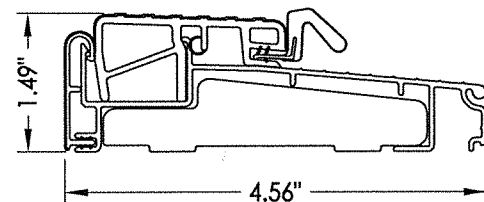
**9 INSWING ARTICULATING THRESHOLD**  
ZACAA4565FN



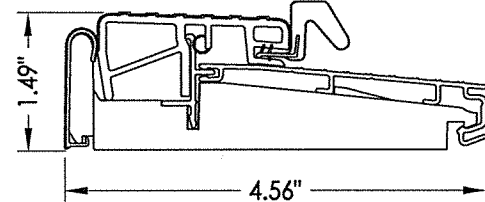
**10 INSWING ARTICULATING THRESHOLD**  
ZAC4565RDS



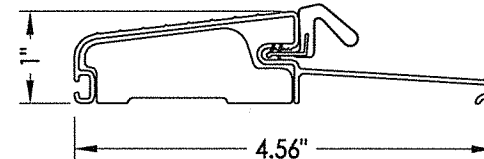
**11 OUTSWING THRESHOLD**  
ZOB4565FN



**12 OUTSWING THRESHOLD**  
ZOBL4565



**13 OUTSWING THRESHOLD**  
ZOB4565RDS



**14 OUTSWING THRESHOLD**  
FOB4566

Documents Prepared By: Lyndon F. Schmidt, P.E.  
TEXAS P.E. #104123

**RW** BUILDING CONSULTANTS, INC.  
P.O. Box 230 Valrico FL 33595  
Phone No.: 813.659.9197  
TEXAS BOARD OF PROFESSIONAL ENGINEERS  
CERTIFICATE OF REGISTRATION # F-11852

PRODUCT: ENDURA

PART OR ASSEMBLY:  
VERTICAL CROSS SECTIONS

NO.	DATE	REVISIONS	LFS	BY
1	11/10/21	UPDATE TO 2018 IBC/IRC CODE		

DATE: 10/27/16

SCALE: N.T.S.

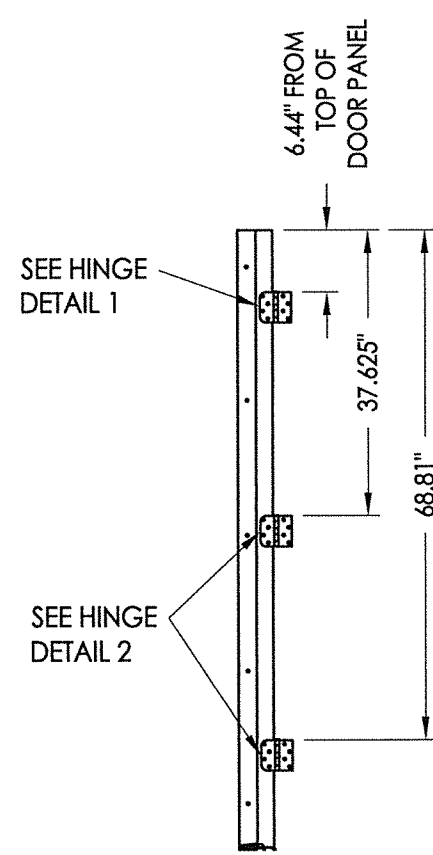
DWG. BY: JK

CHK. BY: LFS

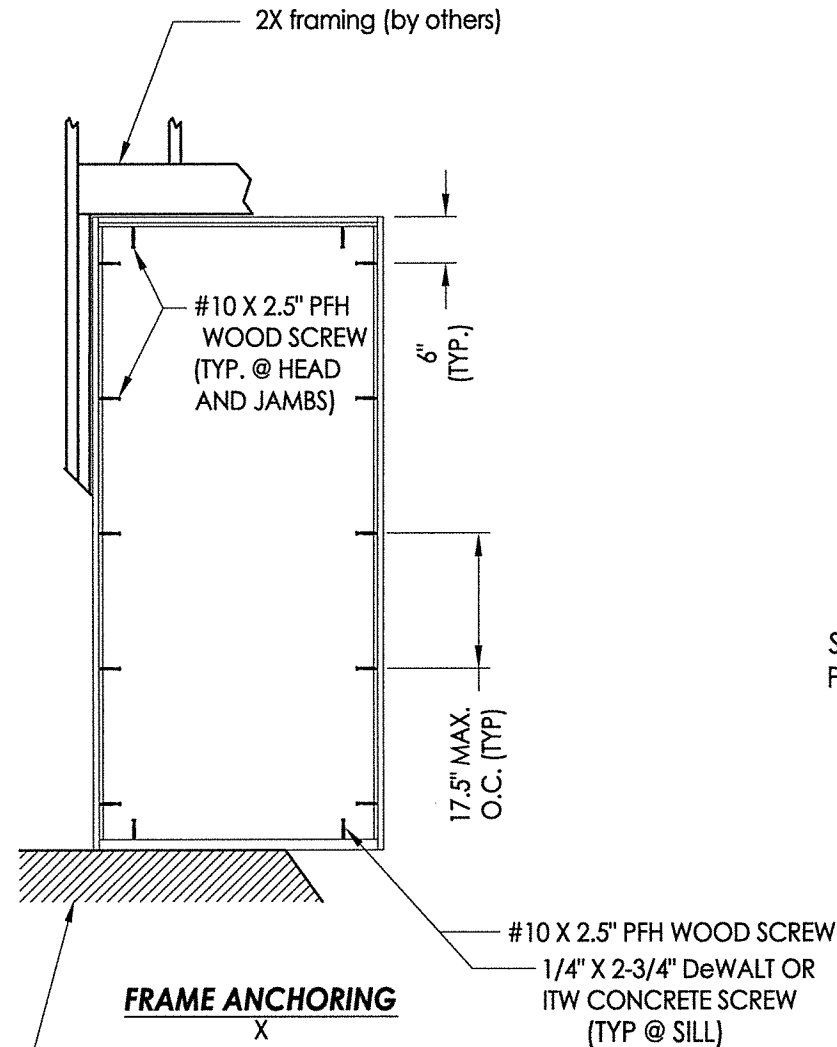
DRAWING NO.: TX-4639

SHEET 4 OF 5

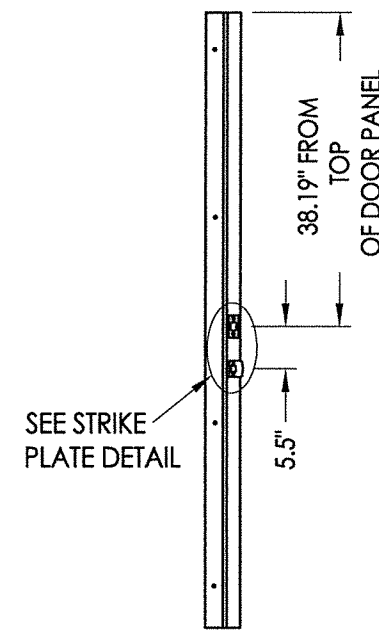
© 2016 R.W. BUILDING CONSULTANTS INC.



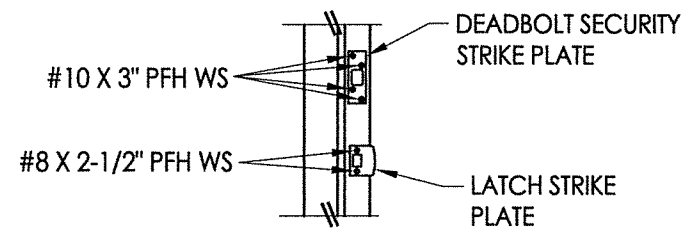
**HINGE JAMB**



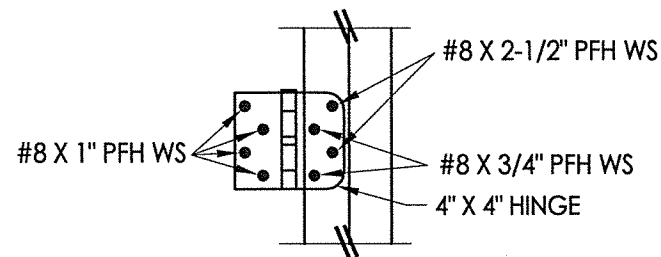
**FRAME ANCHORING**  
X



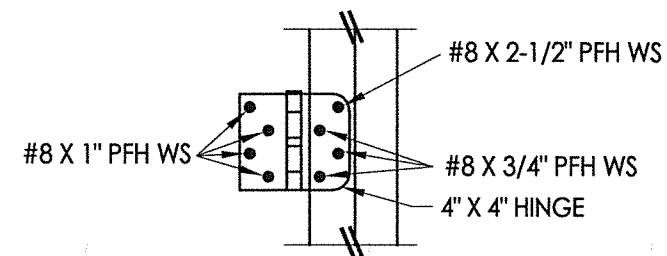
**STRIKE JAMB**



**STRIKE PLATE DETAIL**



**HINGE DETAIL 1**



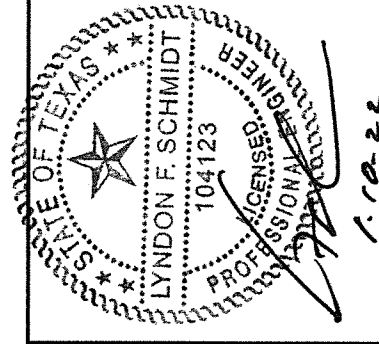
**HINGE DETAIL 2**

FLOOR SUBSTRATE MATERIAL (TYP.)  
CONCRETE (MIN. 3000 PSI)  
WOOD (G >= 0.42)

**CONCRETE ANCHOR NOTES:**

1. Concrete anchor locations at the corners may be adjusted to maintain the min. edge distance to mortar joints.
2. Concrete anchor locations noted as "MAX. ON CENTER" must be adjusted to maintain the min. edge distance to mortar joints, additional concrete anchors may be required to ensure the "MAX. ON CENTER" dimension are not exceeded.
3. Concrete anchor table:

ANCHOR TYPE	ANCHOR SIZE	MIN. EMBEDMENT	MIN. CLEARANCE TO MASONRY EDGE	MIN. CLEARANCE TO ADJACENT ANCHOR
ITW TAPCON®	1/4"	1-3/4"	1-1/2"	4"
DeWALT ULTRACON+®	1/4"	1-3/4"	1"	4"



Documents Prepared By: Lyndon F. Schmidt, P.E.  
TEXAS P.E. #104123

**RW BUILDING CONSULTANTS, INC.**  
P.O. Box 230 Valrico FL 33595  
Phone No.: 813.659.9197  
TEXAS BOARD OF PROFESSIONAL ENGINEERS  
CERTIFICATE OF REGISTRATION # F-11852

PRODUCT:	ENDURA
PART OR ASSEMBLY:	FRAME ANCHORING

NO.	DATE	REVISIONS
1	11/10/21	UPDATE TO 2018 IBC/IRC CODE
		LFS
		BY

DATE: 10/27/16

SCALE: N.T.S.

DWG. BY: JK

CHK. BY: LFS

DRAWING NO.:

TX-4639

SHEET 5 OF 5