

EXCLUSIVE WOOD DOORS

OPAQUE OUTSWING WOOD DOOR (IMPACT)

INSTALLATION NOTES:

- ONE (1) INSTALLATION ANCHOR IS REQUIRED AT EACH ANCHOR LOCATION SHOWN, UNLESS OTHERWISE STATED.
- THE NUMBER OF INSTALLATION ANCHORS DEPICTED IS THE MINIMUM NUMBER OF ANCHORS TO BE USED FOR PRODUCT INSTALLATION.
- INSTALL INDIVIDUAL INSTALLATION ANCHORS WITHIN A TOLERANCE OF $\pm 1/16$ INCH OF THE DEPICTED LOCATION IN THE ANCHOR LAYOUT DETAIL (I.E., WITHOUT CONSIDERATION OF TOLERANCES). TOLERANCES ARE NOT CUMULATIVE FROM ONE INSTALLATION ANCHOR TO THE NEXT.
- ANCHORS SHALL BE INSTALLED AS SHOWN IN THE APPROPRIATE ANCHOR LAYOUT DRAWING (SHEETS 2, 3, 4, AND 5). ANCHORS SHALL BE LOCATED EITHER BENEATH THE WEATHERSTRIP IN THE THINNER PART OF THE JAMB, OR THROUGH THE THICKER PART OF THE JAMB. ANCHORS SHALL BE SPACED A MINIMUM OF 3" ON CENTER.
- FOR INSTALLATION INTO 2" X PT WOOD BUCK USE #12 WOOD SCREWS OF SUFFICIENT LENGTH TO ACHIEVE $1\frac{1}{2}$ " MINIMUM EMBEDMENT INTO WOOD SUBSTRATE, AND $\frac{3}{4}$ " MINIMUM EDGE DISTANCE IN WOOD.
- FOR INSTALLATION THROUGH PROPERLY SECURED 1" X PT WOOD BUCK TO CONCRETE OR MASONRY, OR DIRECTLY INTO CONCRETE OR MASONRY, USE $\frac{3}{4}$ " DIAMETER ELCO ULTRACON OR $\frac{1}{4}$ " ITW TAPCONS OF SUFFICIENT LENGTH TO ACHIEVE $1\frac{3}{4}$ " MINIMUM EMBEDMENT, AND $2\frac{1}{2}$ " MINIMUM EDGE DISTANCE IN SUBSTRATE.
- FOR INSTALLATION THROUGH 18 GA STEEL STUD OR $\frac{1}{8}$ " MINIMUM THICKNESS ALUMINUM MULLION USE #12 GRADE 5 SELF DRILLING SCREWS OF SUFFICIENT LENGTH TO ACHIEVE MINIMUM PENETRATION OF 3 THREADS BEYOND METAL STRUCTURE, AND $\frac{1}{2}$ " MINIMUM EDGE DISTANCE IN METAL.
- MINIMUM EMBEDMENT AND EDGE DISTANCE EXCLUDE WALL FINISHES, INCLUDING BUT NOT LIMITED TO STUCCO, FOAM, BRICK VENEER, AND SIDING.
- INSTALLATION ANCHORS AND ASSOCIATED HARDWARE MUST BE MADE OF CORROSION RESISTANT MATERIAL OR HAVE A CORROSION RESISTANT COATING.
- FOR GROUT FILLED BLOCK, DO NOT INSTALL INSTALLATION ANCHORS INTO MORTAR JOINTS. EDGE DISTANCE IS MEASURED FROM FREE EDGE OF BLOCK OR EDGE OF MORTAR JOINT INTO FACE SHELL OF BLOCK.
- INSTALLATION ANCHORS SHALL BE INSTALLED IN ACCORDANCE WITH ANCHOR MANUFACTURER'S INSTALLATION INSTRUCTIONS, AND ANCHORS SHALL NOT BE USED IN SUBSTRATES WITH STRENGTHS LESS THAN THE MINIMUM STRENGTH SPECIFIED BY THE ANCHOR MANUFACTURER.
- HINGES EACH HINGE SHALL BE INSTALLED WITH (4) #12 WOOD SCREWS FROM HINGE-TO-DOOR, (3) #12 WOOD SCREWS FROM HINGE-TO-FRAME, AND (1) INSTALLATION ANCHOR FROM HINGE THROUGH FRAME INTO SUBSTRATE WITH APPROPRIATE EMBEDMENT, EDGE DISTANCE, AND ANCHOR TYPE.
- INSTALLATION ANCHOR CAPACITIES FOR PRODUCTS HEREIN ARE BASED ON SUBSTRATE MATERIALS WITH THE FOLLOWING PROPERTIES:
 - WOOD - MINIMUM SPECIFIC GRAVITY OF 0.42.
 - CONCRETE - MINIMUM COMPRESSIVE STRENGTH OF 3000 PSI.
 - MASONRY - STRENGTH CONFORMANCE TO ASTM C-90.
 - STEEL - MINIMUM YIELD STRENGTH OF 33 KSI. MINIMUM WALL THICKNESS OF 43 MILS. (18 GAUGE OR 0.043 IN.) MUST BE DESIGNED TO ADEQUATELY TRANSFER LOADS APPLIED.
 - ALUMINUM - MINIMUM 6063-T5 (F_y = 16 KSI, F_u = 22 KSI), MINIMUM 1/8" THICKNESS. FOR INSTALLATION TO STRUCTURAL MULLION, UNDER SEPARATE APPROVAL.

GENERAL NOTES:

- THE PRODUCT SHOWN HEREIN IS DESIGNED AND MANUFACTURED TO COMPLY WITH THE 2018 INTERNATIONAL BUILDING CODE (IBC) AND INTERNATIONAL RESIDENTIAL CODE (IRC), AND HAS BEEN EVALUATED ACCORDING TO THE FOLLOWING:
 - TAS 201-94
 - TAS 202-94
 - TAS 203-94
- ADEQUACY OF THE EXISTING STRUCTURAL CONCRETE/MASONRY, 2X AND METAL STUD FRAMING AS A MAIN WIND FORCE RESISTING SYSTEM CAPABLE OF WITHSTANDING AND TRANSFERRING APPLIED PRODUCT LOADS TO THE FOUNDATION IS THE RESPONSIBILITY OF THE ENGINEER OR ARCHITECT OF RECORD FOR THE PROJECT OF INSTALLATION.
- 1X AND 2X BUCKS (WHEN USED) SHALL BE DESIGNED AND ANCHORED TO PROPERLY TRANSFER ALL LOADS TO THE STRUCTURE. BUCK DESIGN AND INSTALLATION IS THE RESPONSIBILITY OF THE ENGINEER OR ARCHITECT OF RECORD FOR THE PROJECT OF INSTALLATION.
- THE INSTALLATION DETAILS DESCRIBED HEREIN ARE GENERIC AND MAY NOT REFLECT ACTUAL CONDITIONS FOR A SPECIFIC SITE. IF SITE CONDITIONS CAUSE INSTALLATION TO DEVIATE FROM THE REQUIREMENTS DETAILED HEREIN, A LICENSED ENGINEER OR ARCHITECT SHALL PREPARE SITE SPECIFIC DOCUMENTS FOR USE WITH THIS DOCUMENT AND TO BE REVIEWED BY A.H.J (AUTHORITY HAVING JURISDICTION).
- APPROVED IMPACT PROTECTIVE SYSTEM IS NOT REQUIRED TO PROTECT THIS PRODUCT IN AREAS REQUIRING IMPACT RESISTANCE.
- ALLOWABLE MATERIALS FOR DOOR FRAME AND PANELS: MARA MACHO (CEDRELINGA CATENAEFORMIS, MIN. SG=0.55) TROPICAL WALNUT (CARINIANA ESTRELLENSIS, MIN SG=0.68)
- DESIGNATION "X" STANDS FOR A SINGLE OPERABLE PANEL. DESIGNATION "XX" STANDS FOR A DOUBLE OPERABLE PANEL [ONE ACTIVE, THE OTHER INACTIVE].
- CUSTOM SIZES AVAILABLE UPON REQUEST.
- COMPLIANCE TO EGRESS REQUIREMENTS OF THIS DOOR TO BE REVIEWED BY A.H.J. (AUTHORITY HAVING JURISDICTION).

TABLE OF CONTENTS	
SHEET	SHEET DESCRIPTION
1	GENERAL & INSTALLATION NOTES
2	ELEVATIONS & ANCHOR LAYOUTS (1)
3	ELEVATIONS & ANCHOR LAYOUTS (2)
4	ELEVATIONS & ANCHOR LAYOUTS (3)
5	ELEVATIONS & ANCHOR LAYOUTS (4)
6	VERTICAL SECTIONS
7	HORIZONTAL SECTIONS
8	DOOR PANEL SECTIONS
9	COMPONENTS & BILL OF MATERIALS
10	CORNER SECTIONS & PANEL DETAIL
11	LOCKING HARDWARE DETAILS (1)
12	LOCKING HARDWARE DETAILS (2)
13	QUALIFIED PANEL CONFIGURATIONS

DESIGN PRESSURE RATING	
DESIGN PRESSURE - ALL SIZES	MISSILE IMPACT RATING
+70/- 70 PSF	LARGE AND SMALL MISSILE IMPACT RATED



1950 NW 70TH AVE.
MIAMI, FL 33126
PH: (305) 477-2278 FAX: (305) 477-7140

TITLE: OPAQUE OUTSIDE WOOD DOOR (IMPACT)
GENERAL & INSTALLATION NOTES

PREPARED BY: BUILDING DROPS, INC.
398 E. DANIA BEACH BLVD., STE. 338
DANIA BEACH, FL 33004
PH: (954) 399-8478
FAX: (954) 744-4738
WEB: www.buildingdrops.com



REMARKS	BY	DATE
2018 IBC & IRC UPDATE	MS	10/21

THE INSTALLATION DETAILS DESCRIBED HEREIN ARE GENERIC AND MAY NOT REFLECT ACTUAL CONDITIONS FOR A SPECIFIC SITE. IF SITE CONDITIONS CAUSE INSTALLATION TO DEVIATE FROM THE REQUIREMENTS DETAILED HEREIN, A LICENSED ENGINEER OR ARCHITECT SHALL PREPARE SITE SPECIFIC DOCUMENTS FOR USE WITH THIS DOCUMENT.



HERMES F. NORERO, P.E.
TEXAS P.E. No 118471
BUILDING DROPS, INC
398 E. DANIA BEACH BLVD. # 338
DANIA BEACH, FL 33004
TBPE FIRM No. 13734

DATE:	11.02.16	
DWG. BY:	LMS	CHK. BY: MSS
SCALE:	NTS	
DWG. #:	EXD009	

SHEET: 1



1950 NW 70TH AVE.
MIAMI, FL 33126
PH: (305) 477-2278 FAX: (305) 477-7140

TITLE: OPAQUE OUTSIDE WOOD DOOR
(IMPACT)
ELEVATION & ANCHOR LAYOUTS (1)

PREPARED BY:
BUILDING DROPS, INC.
398 E. DANIA BEACH BLVD., STE. 338
DANIA BEACH, FL 33004
PH: (954) 399-8478
FAX: (954) 744-4738
WEB: www.buildingdrops.com

REMARKS	BY	DATE
2018 IBC & IRC UPDATE	MS	10/21

THE INSTALLATION DETAILS DESCRIBED HEREIN ARE GENERIC AND MAY NOT REFLECT ACTUAL CONDITIONS FOR A SPECIFIC SITE. IF SITE CONDITIONS CAUSE INSTALLATION TO DEVIATE FROM THE REQUIREMENTS DETAILED HEREIN, A LICENSED ENGINEER OR ARCHITECT SHALL PREPARE SITE SPECIFIC DOCUMENTS FOR USE WITH THIS DOCUMENT.



HERMES F. NORERO, P.E.
TEXAS P.E. No. 118471
BUILDING DROPS, INC
398 E. DANIA BEACH BLVD. # 338
DANIA BEACH, FL 33004
TBPE FIRM No. 13734

DATE: 11.02.16

DWG. BY: LMS CHK. BY: MSS

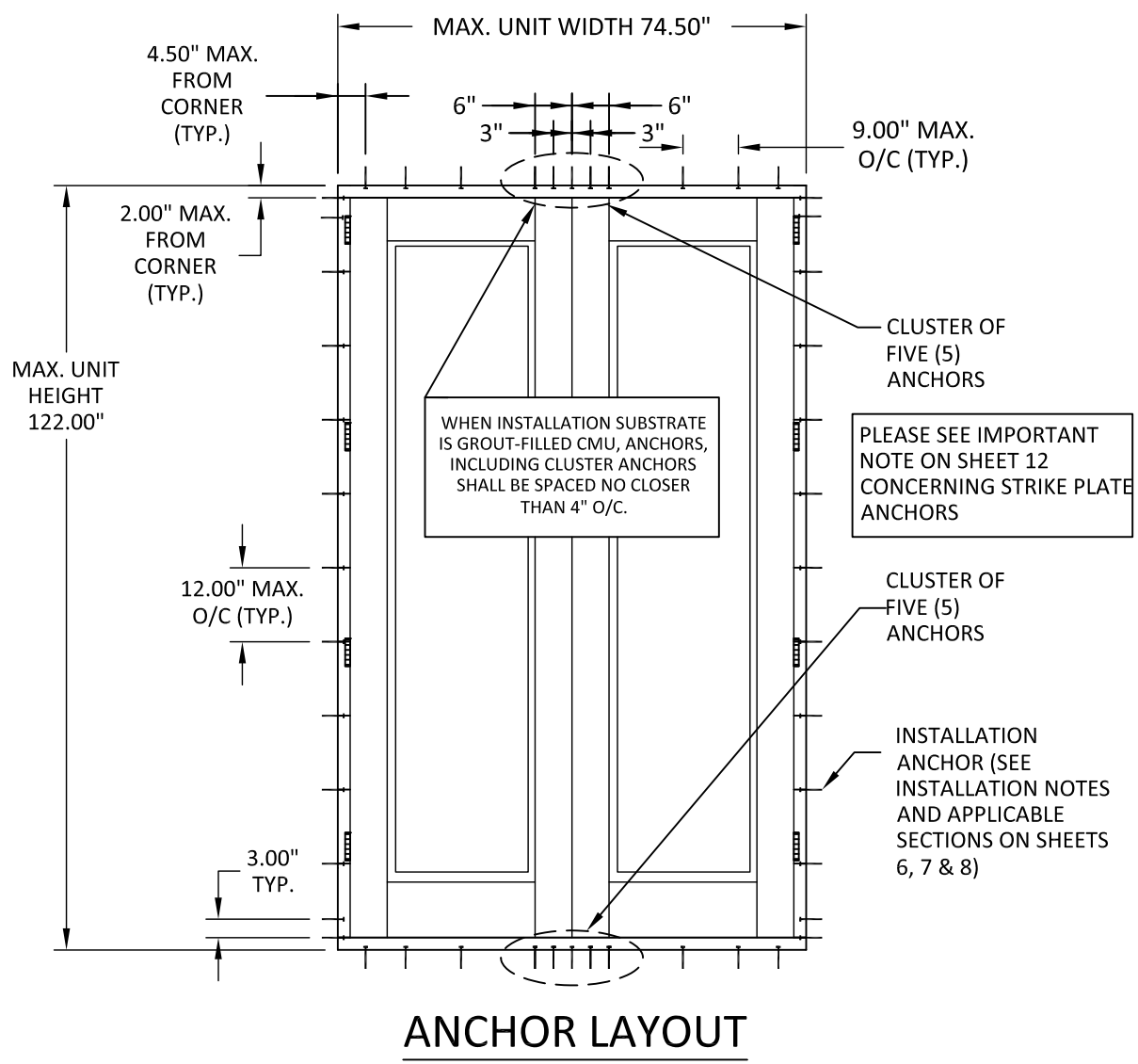
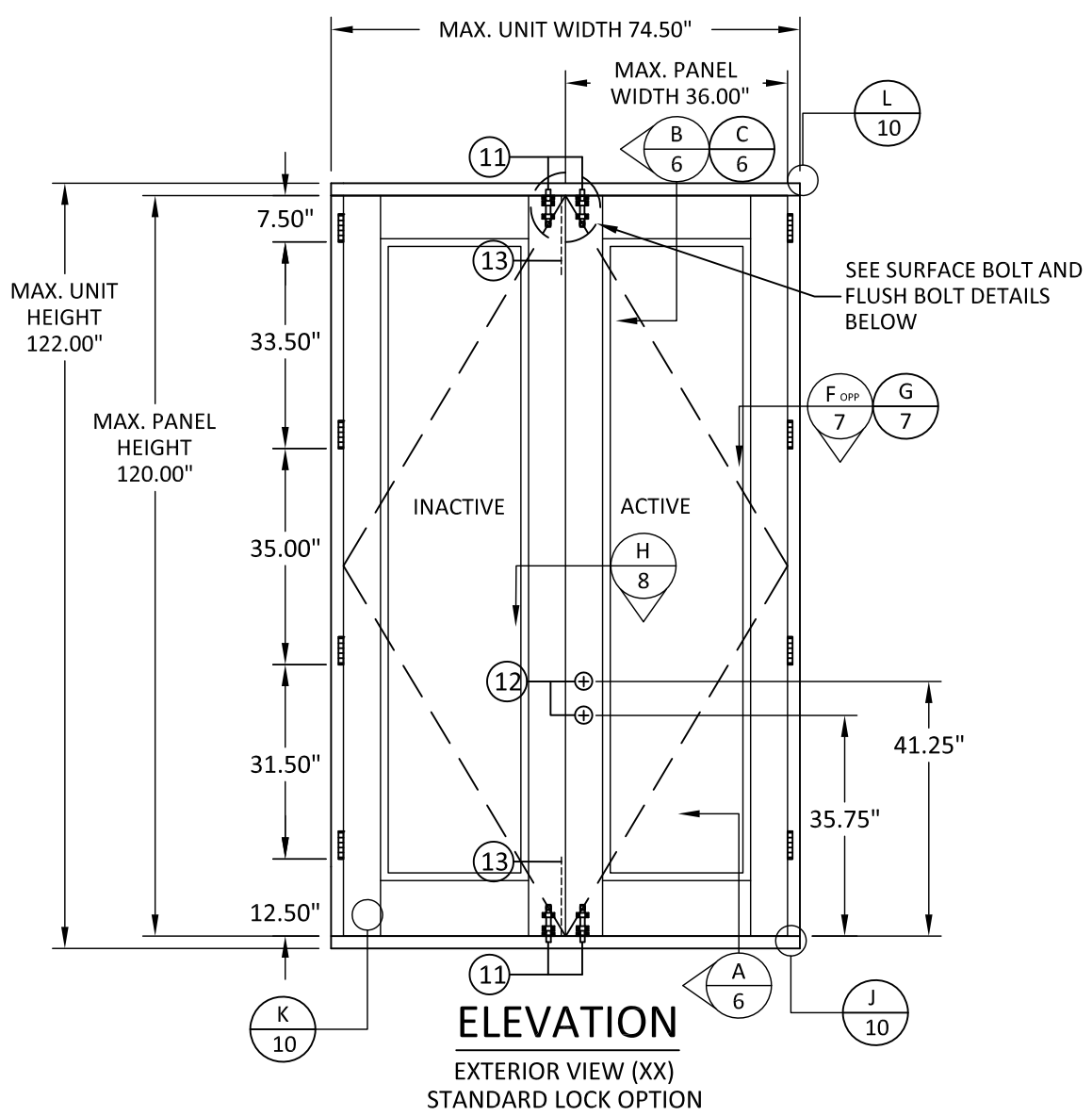
SCALE: NTS

DWG. #: EXD009

SHEET:

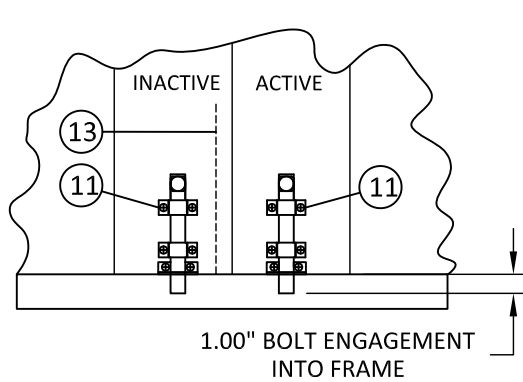
2

OF 13

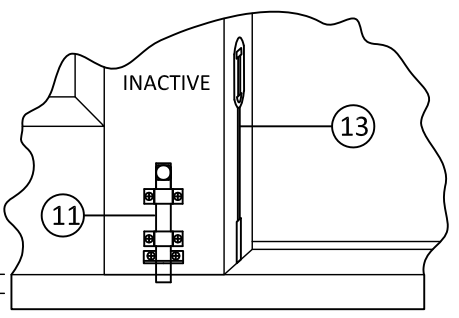


PLEASE SEE IMPORTANT NOTE ON SHEET 12 CONCERNING STRIKE PLATE ANCHORS

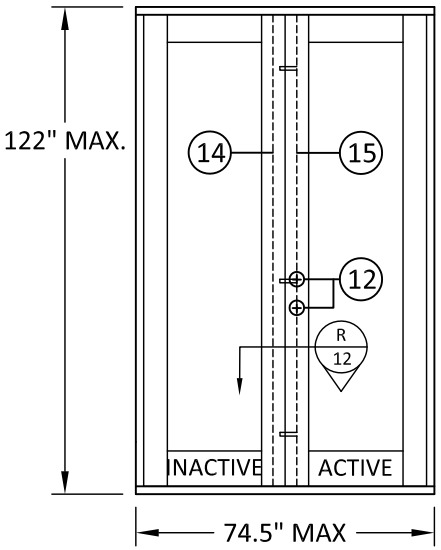
- DOUBLE OUTSWING DOOR.**
- SQUARE-TOP PANEL CONFIGURATION SHOWN.
 - OTHER ALLOWED CONFIGURATIONS ARE SHOWN ON SHEET 13.
 - EITHER RIGHT-HAND OR LEFT-HAND ACTIVE PANEL.
 - OUTSWING ONLY.



LOCATED AT TOP AND BOTTOM OF EACH ACTIVE AND INACTIVE PANEL (INTERIOR SIDE OF PANEL)



LOCATED AT TOP AND BOTTOM OF INACTIVE PANEL (AT STILE EDGE) SEE DETAILS ON SHEET 11



11/22/2021 9:00 AM s:\projects\exclusive_wood_doors\tdr-21-1001 - tdr_submission - dr648_re_evaluation\dwgs\exd009.dwg

TITLE: OPAQUE OUTSIDE WOOD DOOR
(IMPACT)
ELEVATION & ANCHOR LAYOUTS (2)

PREPARED BY:
BUILDING DROPS, INC.
398 E. DANIA BEACH BLVD., STE. 338
DANIA BEACH, FL 33004
PH: (954) 399-8478
FAX: (954) 744-4738
WEB: www.buildingdrops.com

REMARKS	BY	DATE
2018 IBC & IRC UPDATE	MS	10/21

THE INSTALLATION DETAILS DESCRIBED HEREIN ARE GENERIC AND MAY NOT REFLECT ACTUAL CONDITIONS FOR A SPECIFIC SITE. IF SITE CONDITIONS CAUSE INSTALLATION TO DEVIATE FROM THE REQUIREMENTS DETAILED HEREIN, A LICENSED ENGINEER OR ARCHITECT SHALL PREPARE SITE SPECIFIC DOCUMENTS FOR USE WITH THIS DOCUMENT.



HERMES F. NORERO, P.E.
TEXAS P.E. No. 118471
BUILDING DROPS, INC
398 E. DANIA BEACH BLVD. # 338
DANIA BEACH, FL 33004
TBPE FIRM No. 13734

DATE: 11.02.16

DWG. BY: LMS
CHK. BY: MSS

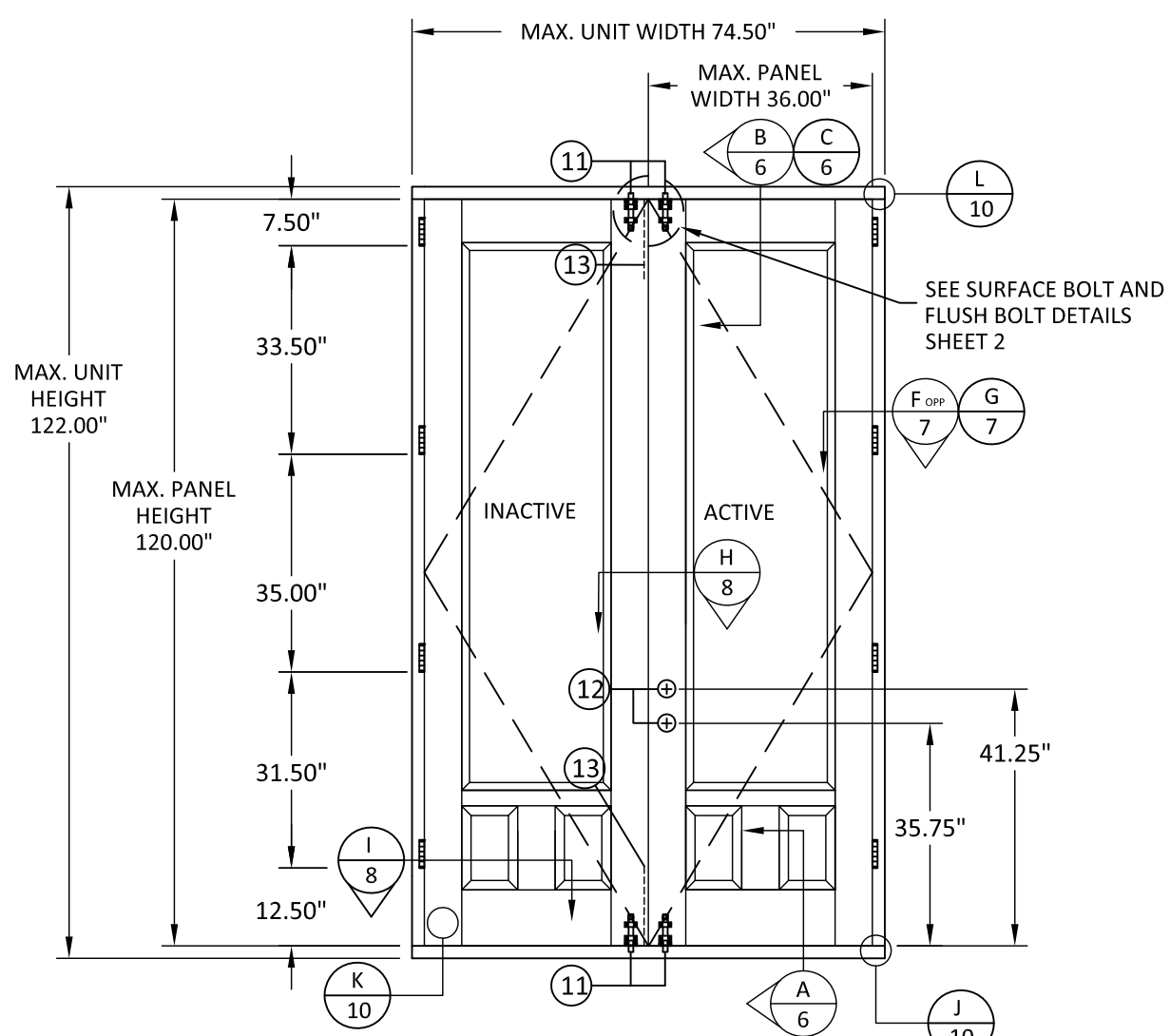
SCALE: NTS

DWG. #: EXD009

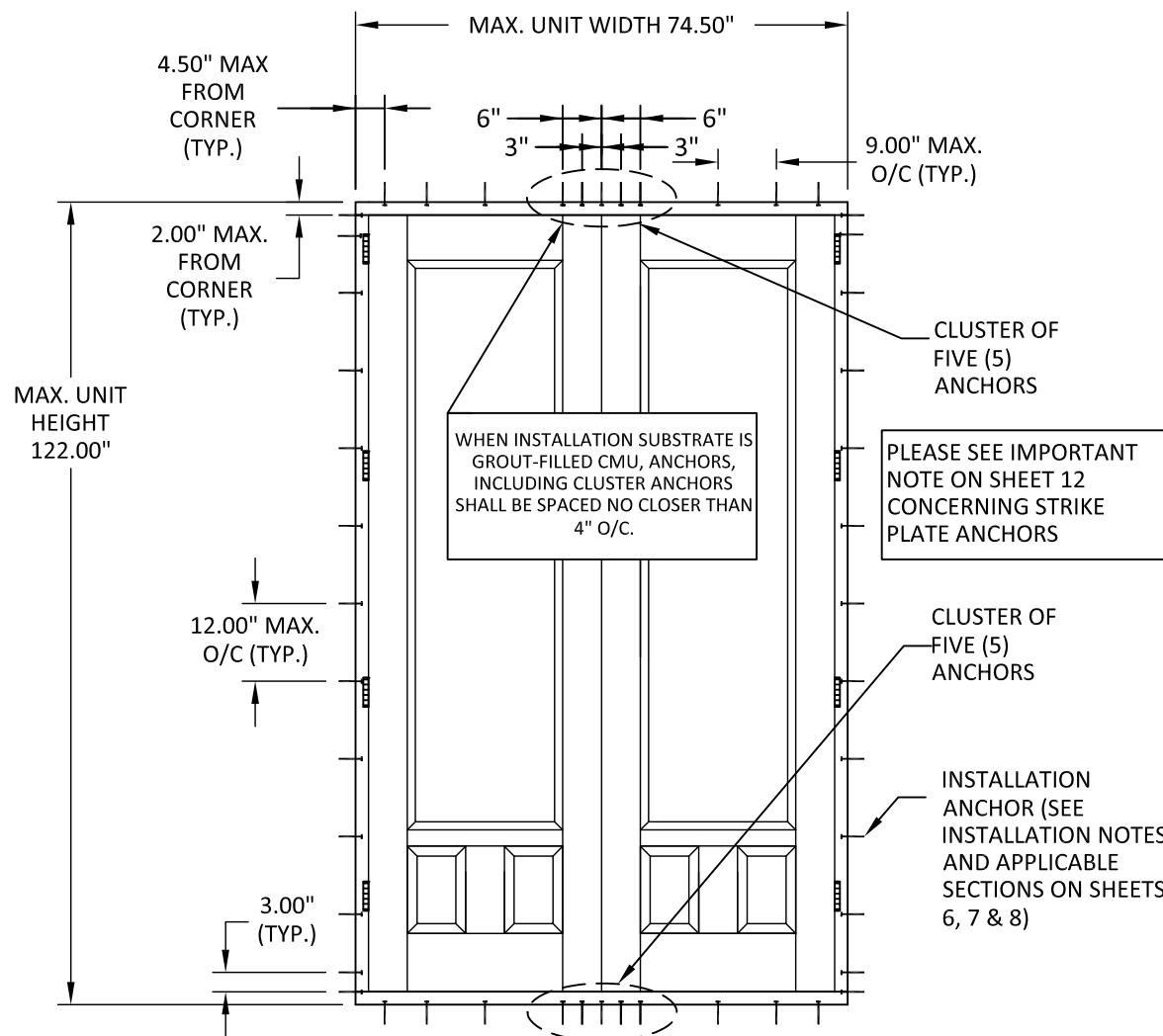
SHEET:

3

OF 13

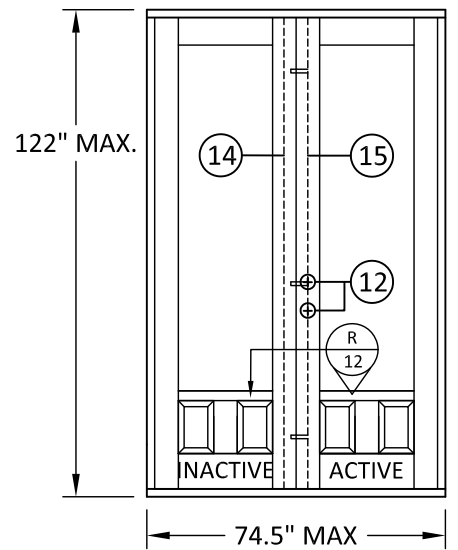


ELEVATION
EXTERIOR VIEW (XX)
STANDARD LOCK OPTION



ANCHOR LAYOUT

- DOUBLE OUTSWING DOOR.**
- SQUARE-TOP PANEL CONFIGURATION SHOWN.
 - OTHER ALLOWED CONFIGURATIONS ARE SHOWN ON SHEET 13.
 - EITHER RIGHT-HAND OR LEFT-HAND ACTIVE PANEL.
 - OUTSWING ONLY.



PLEASE SEE IMPORTANT NOTE ON SHEET 12 CONCERNING STRIKE PLATE ANCHORS

ELEVATION
EXTERIOR VIEW (XX)
MULTI-POINT LOCK OPTION
SEE DETAILS ON SHEET 11,
INCLUDING SHOOT BOLT
ENGAGEMENT

11/22/2021 9:00 AM
s:\projects\exclusive_wood_doors\tir-21-1001 - tir_submittal - dr648_re-evaluation\dwg\exd009.dwg

TITLE: OPAQUE OUTSIDE WOOD DOOR
(IMPACT)
ELEVATION & ANCHOR LAYOUTS (3)

PREPARED BY:
BUILDING DROPS, INC.
398 E. DANIA BEACH BLVD., STE. 338
DANIA BEACH, FL 33004
PH: (954) 399-8478
FAX: (954) 744-4738
WEB: www.buildingdrops.com

REMARKS	BY	DATE
2018 IBC & IRC UPDATE	MS	10/21

THE INSTALLATION DETAILS DESCRIBED HEREIN ARE GENERIC AND MAY NOT REFLECT ACTUAL CONDITIONS FOR A SPECIFIC SITE. IF SITE CONDITIONS CAUSE INSTALLATION TO DEVIATE FROM THE REQUIREMENTS DETAILED HEREIN, A LICENSED ENGINEER OR ARCHITECT SHALL PREPARE SITE SPECIFIC DOCUMENTS FOR USE WITH THIS DOCUMENT.



HERMES F. NORERO, P.E.
TEXAS P.E. No. 118471
BUILDING DROPS, INC
398 E. DANIA BEACH BLVD. # 338
DANIA BEACH, FL 33004
TBPE FIRM No. 13734

DATE: 11.02.16

DWG. BY: LMS

CHK. BY: MSS

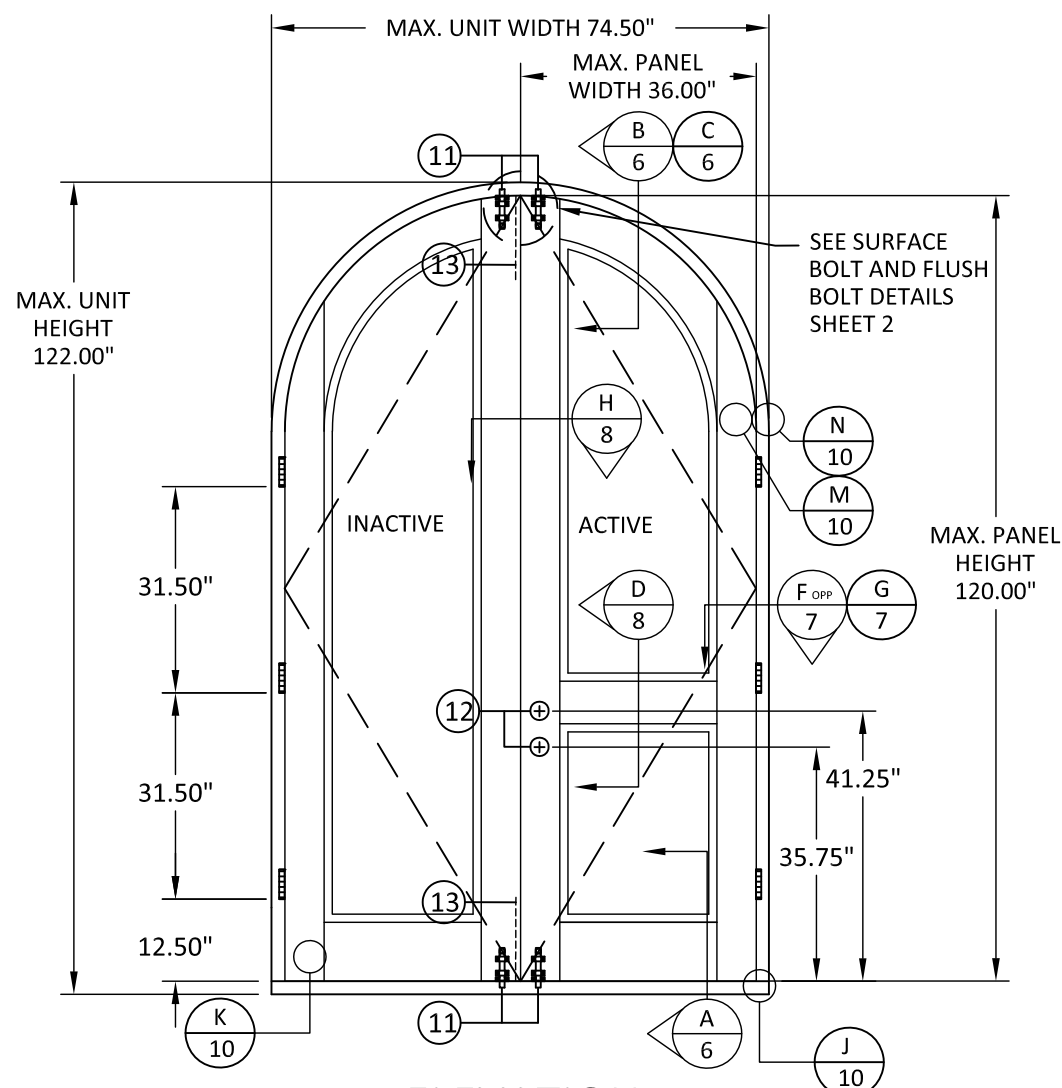
SCALE: NTS

DWG. #: EXD009

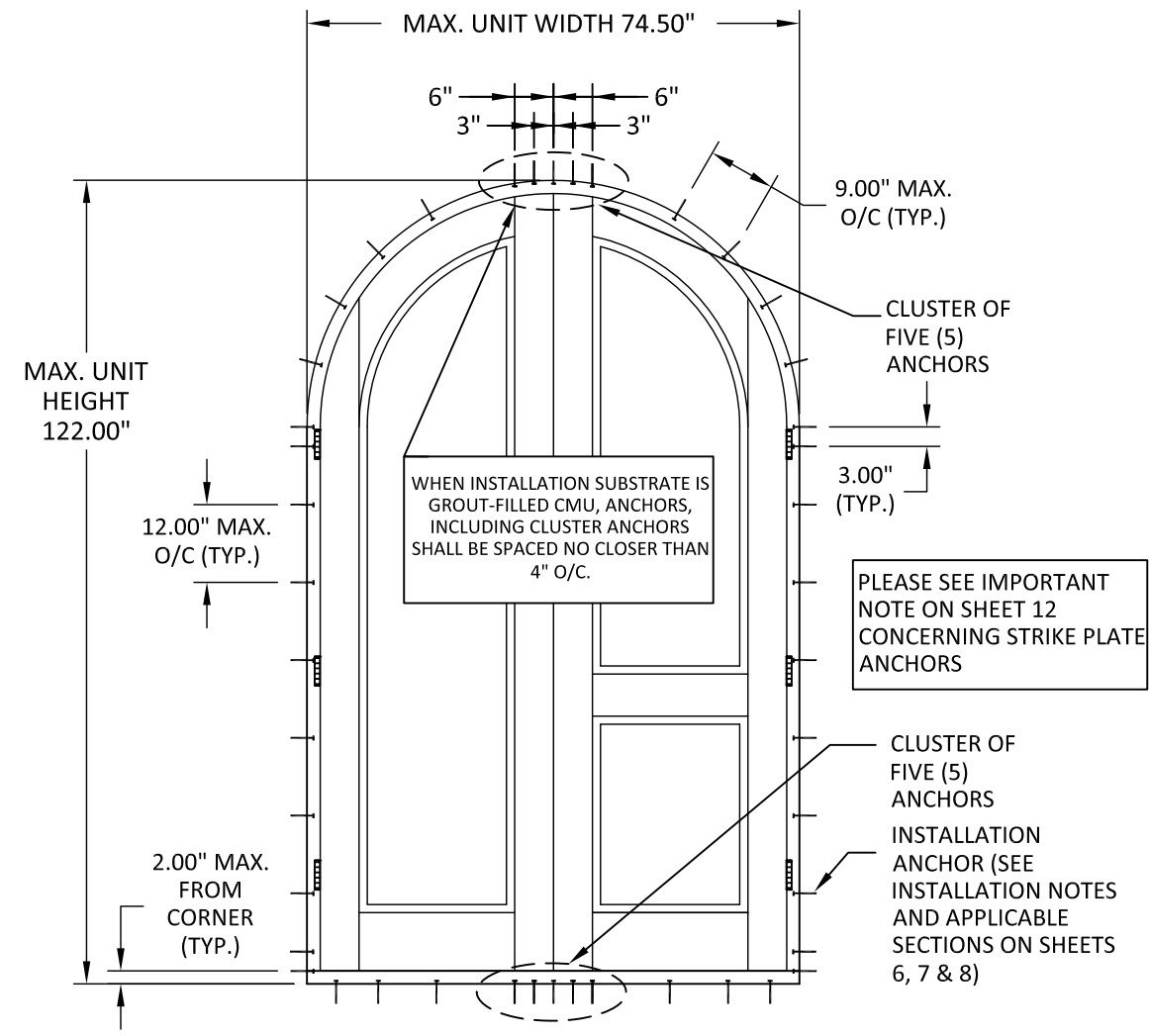
SHEET:

4

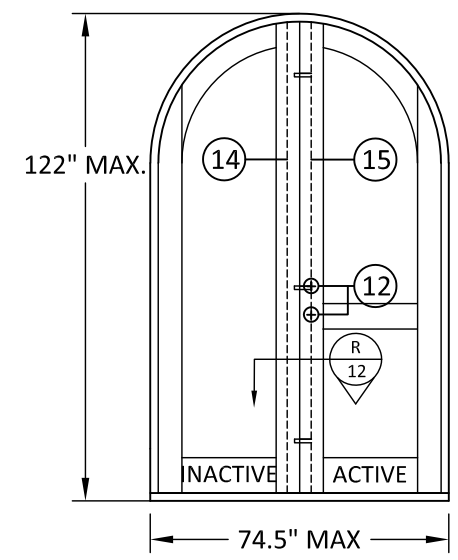
OF 13



ELEVATION
EXTERIOR VIEW (XX)



ANCHOR LAYOUT



ELEVATION
EXTERIOR VIEW (XX)
MULTI-POINT LOCK OPTION
SEE DETAILS ON SHEET 11,
INCLUDING SHOOT BOLT
ENGAGEMENT

DOUBLE OUTSWING DOOR.

- ROUND-TOP PANELS CONFIGURATION SHOWN.
- OTHER ALLOWED CONFIGURATIONS ARE SHOWN ON SHEET 13.
- EITHER RIGHT-HAND OR LEFT-HAND ACTIVE PANEL.
- OUTSWING ONLY.

PLEASE SEE IMPORTANT NOTE ON SHEET 12 CONCERNING STRIKE PLATE ANCHORS

PLEASE SEE IMPORTANT NOTE ON SHEET 12 CONCERNING STRIKE PLATE ANCHORS

CLUSTER OF FIVE (5) ANCHORS
INSTALLATION ANCHOR (SEE INSTALLATION NOTES AND APPLICABLE SECTIONS ON SHEETS 6, 7 & 8)

WHEN INSTALLATION SUBSTRATE IS GROUT-FILLED CMU, ANCHORS, INCLUDING CLUSTER ANCHORS SHALL BE SPACED NO CLOSER THAN 4" O/C.

11/22/2021 9:00 AM s:\projects\exclusive wood doors\01-21-1001 - tdi submittal - dr848 re-evaluation\dwgs\exd009.dwg



1950 NW 70TH AVE.
MIAMI, FL 33126
PH: (305) 477-2278 FAX: (305) 477-7140

TITLE: OPAQUE OUTSIDE WOOD DOOR (IMPACT)
ELEVATION & ANCHOR LAYOUTS (4)

PREPARED BY: BUILDING DROPS, INC.
398 E. DANIA BEACH BLVD., STE. 338
DANIA BEACH, FL 33004
PH: (954) 399-8478
FAX: (954) 744-4738
WEB: www.buildingdrops.com

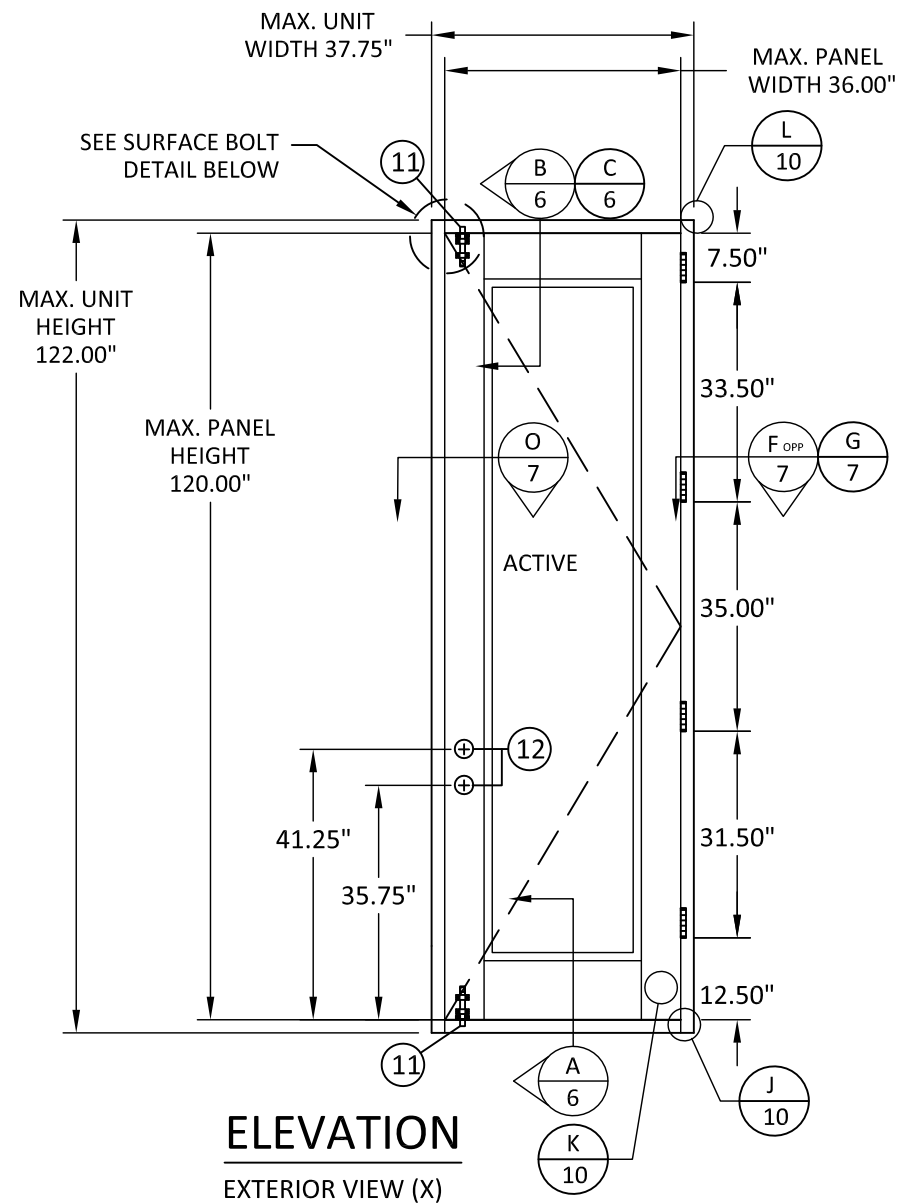
REMARKS	BY	DATE
2018 IBC & IRC UPDATE	MS	10/21

THE INSTALLATION DETAILS DESCRIBED HEREIN ARE GENERIC AND MAY NOT REFLECT ACTUAL CONDITIONS FOR A SPECIFIC SITE. IF SITE CONDITIONS CAUSE INSTALLATION TO DEVIATE FROM THE REQUIREMENTS DETAILED HEREIN, A LICENSED ENGINEER OR ARCHITECT SHALL PREPARE SITE SPECIFIC DOCUMENTS FOR USE WITH THIS DOCUMENT.

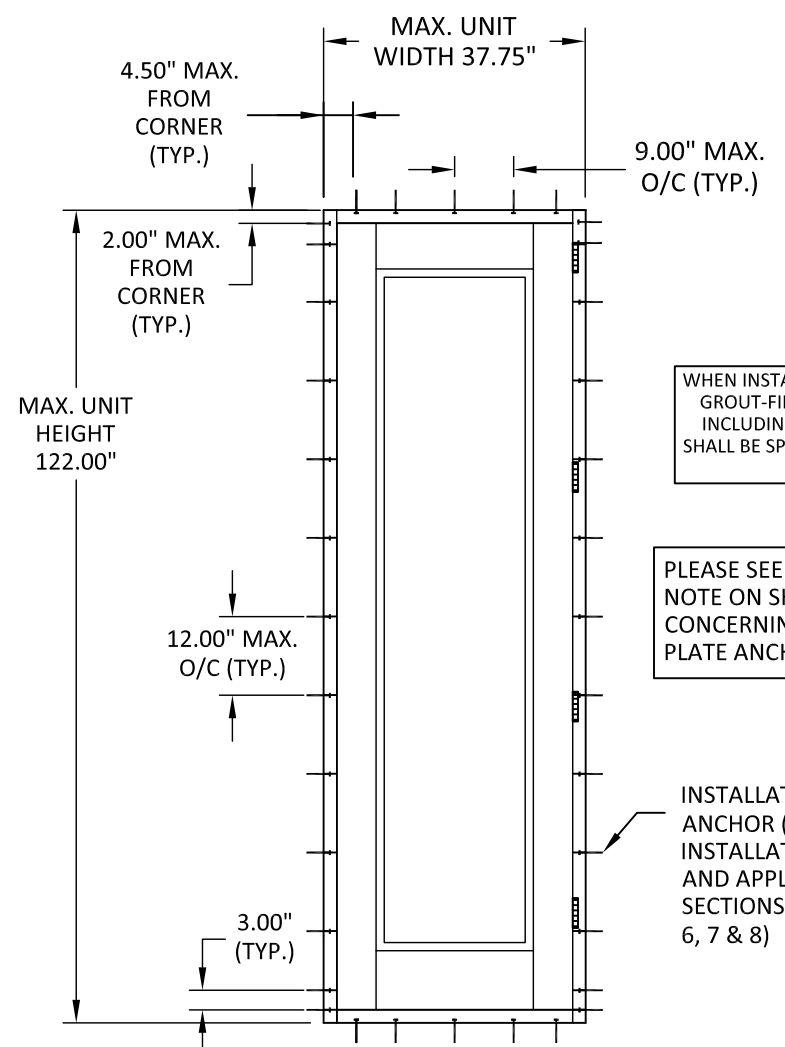


HERMES F. NORERO, P.E.
TEXAS P.E. No. 118471
BUILDING DROPS, INC
398 E. DANIA BEACH BLVD. # 338
DANIA BEACH, FL 33004
TBPE FIRM No. 13734

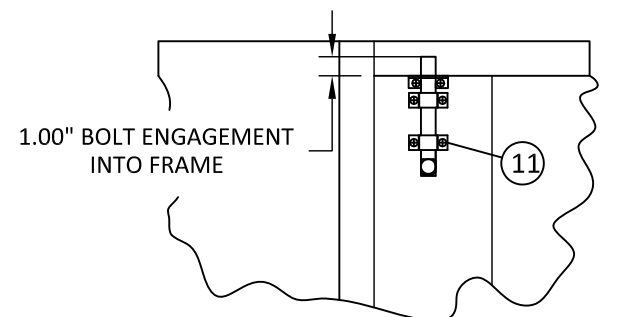
DATE:	11.02.16
DWG. BY:	LMS
CHK. BY:	MSS
SCALE:	NTS
DWG. #:	EXD009
SHEET:	5



ELEVATION
EXTERIOR VIEW (X)



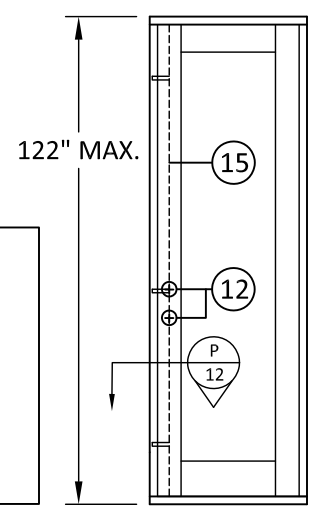
ANCHOR LAYOUT



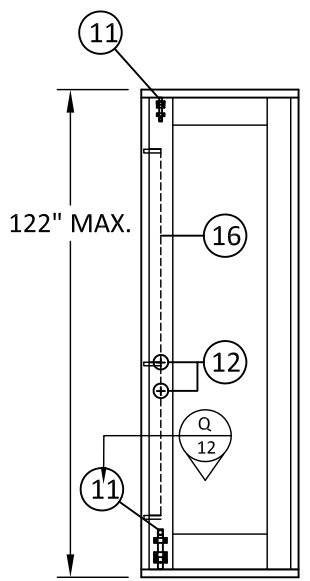
SINGLE DOOR SURFACE BOLT DETAIL

LOCATED AT TOP AND BOTTOM OF ACTIVE PANEL (INTERIOR SIDE OF PANEL)

- SINGLE OUTSWING DOOR.**
- SINGLE SQUARE-TOP PANEL CONFIGURATION SHOWN.
 - OTHER ALLOWED CONFIGURATIONS ARE SHOWN ON SHEET 13.
 - EITHER RIGHT-HAND OR LEFT-HAND.
 - OUTSWING ONLY.



ELEVATION
EXTERIOR VIEW (X)
MULTI-POINT LOCK OPTION A:
5-POINT LOCK
SEE DETAILS ON SHEET 11 INCLUDING SHOOT BOLT ENGAGEMENT



ELEVATION
EXTERIOR VIEW (X)
MULTI-POINT LOCK OPTION B:
3-POINT LOCK
WITH SURFACE BOLTS
SEE DETAILS ON SHEET 11

PLEASE SEE IMPORTANT NOTE ON SHEET 12 CONCERNING STRIKE PLATE ANCHORS

PLEASE SEE IMPORTANT NOTE ON SHEET 12 CONCERNING STRIKE PLATE ANCHORS

WHEN INSTALLATION SUBSTRATE IS GROUT-FILLED CMU, ANCHORS, INCLUDING CLUSTER ANCHORS SHALL BE SPACED NO CLOSER THAN 4" O/C.

PLEASE SEE IMPORTANT NOTE ON SHEET 12 CONCERNING STRIKE PLATE ANCHORS

INSTALLATION ANCHOR (SEE INSTALLATION NOTES AND APPLICABLE SECTIONS ON SHEETS 6, 7 & 8)

11/22/2021 9:00 AM s:\projects\exclusive wood doors\01-21-1001 - tdi submittal - dr648 re-evaluation\dwgs\exd009.dwg



1950 NW 70TH AVE.
MIAMI, FL 33126
PH: (305) 477-2278 FAX: (305) 477-7140

TITLE: OPAQUE OUTSIDE WOOD DOOR (IMPACT)
VERTICAL SECTIONS
PREPARED BY: BUILDING DROPS, INC.
398 E. DANIA BEACH BLVD., STE. 338
DANIA BEACH, FL 33004
PH: (954) 399-8478
FAX: (954) 744-4738
WEB: www.buildingdrops.com

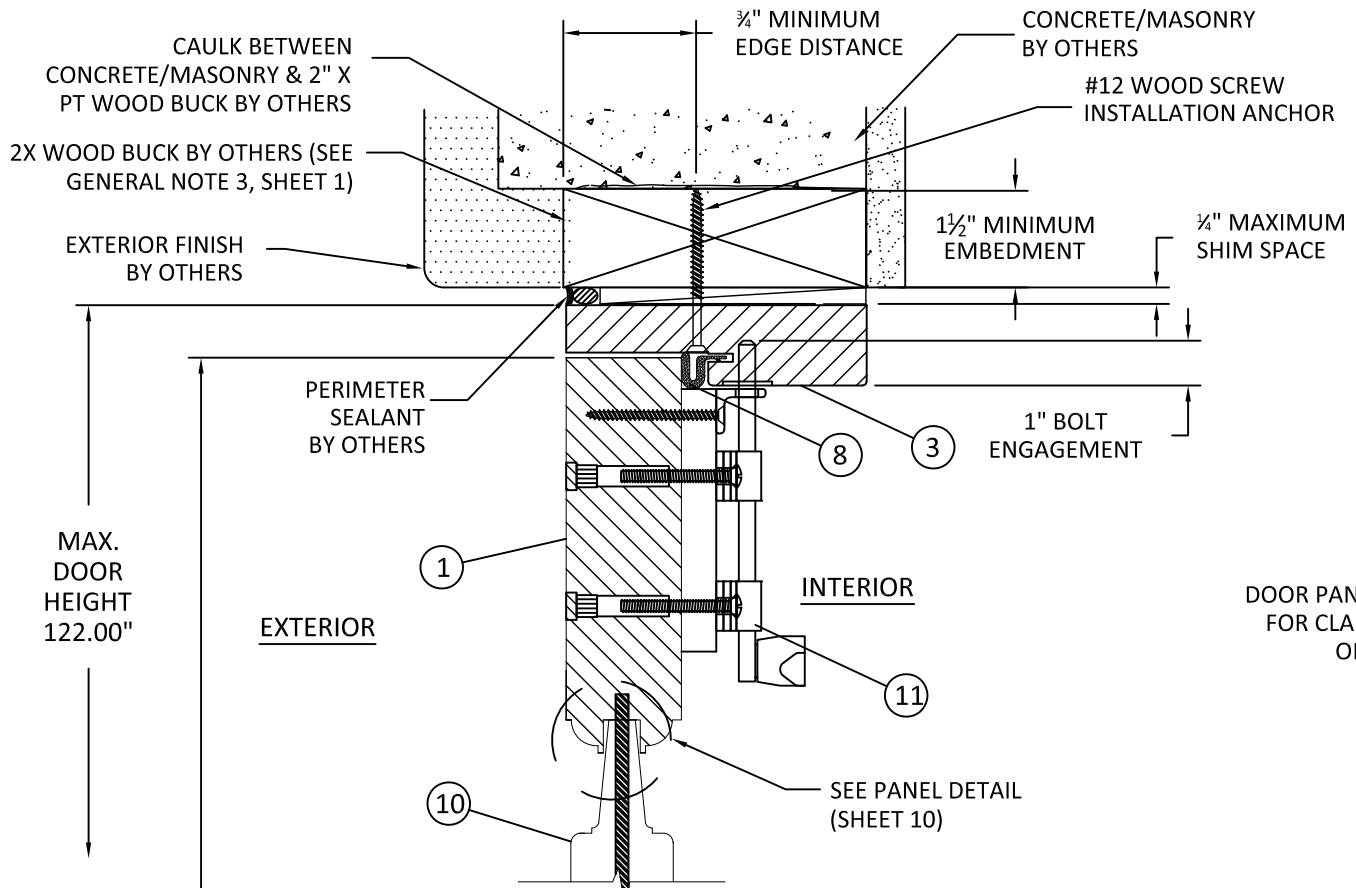
REMARKS	BY	DATE
2018 IBC & IRC UPDATE	MS	10/21

THE INSTALLATION DETAILS DESCRIBED HEREIN ARE GENERIC AND MAY NOT REFLECT ACTUAL CONDITIONS FOR A SPECIFIC SITE. IF SITE CONDITIONS CAUSE INSTALLATION TO DEVIATE FROM THE REQUIREMENTS DETAILED HEREIN, A LICENSED ENGINEER OR ARCHITECT SHALL PREPARE SITE SPECIFIC DOCUMENTS FOR USE WITH THIS DOCUMENT.

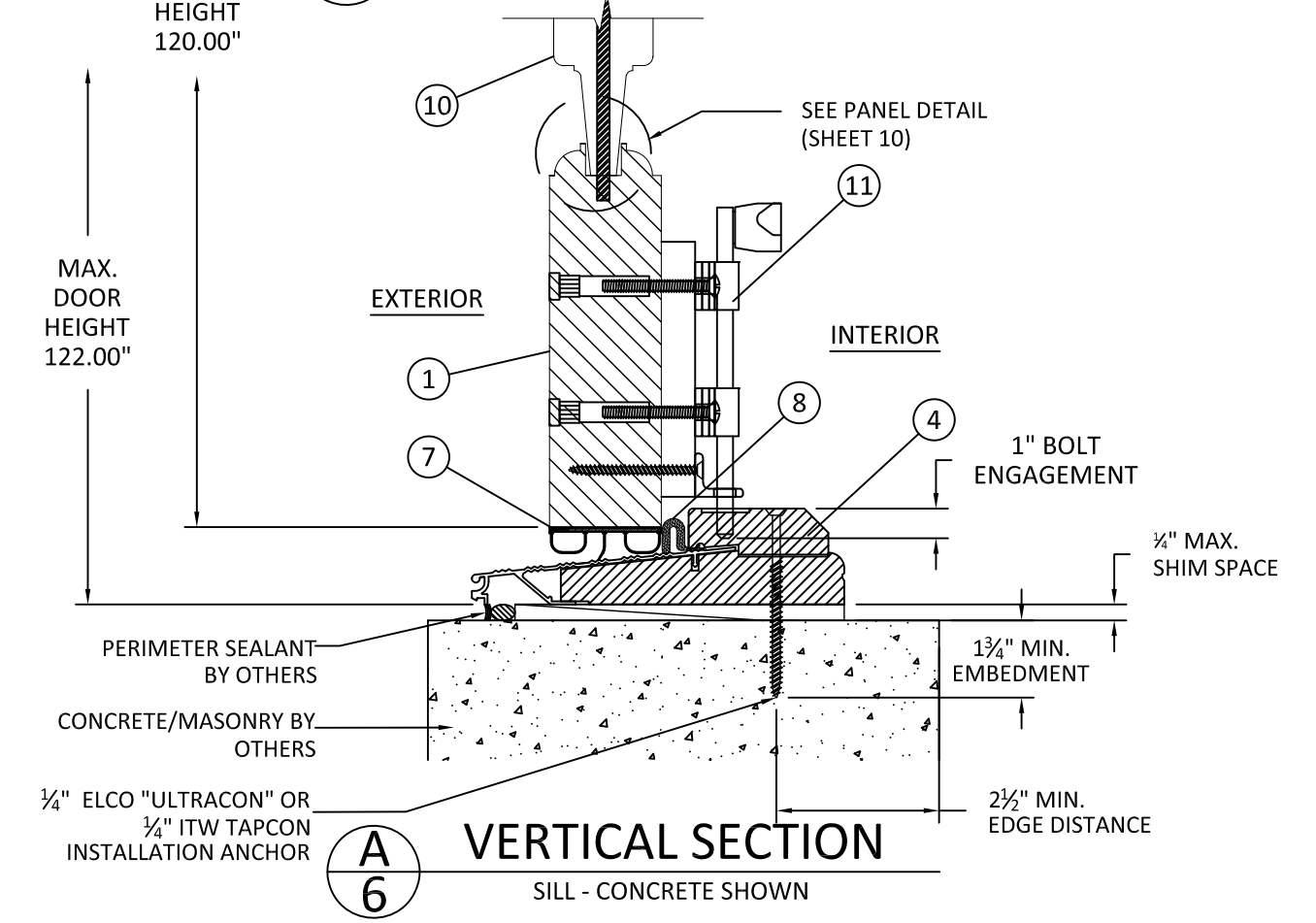


HERMES F. NORERO, P.E.
TEXAS P.E. No. 118471
BUILDING DROPS, INC
398 E. DANIA BEACH BLVD. # 338
DANIA BEACH, FL 33004
TBPE FIRM No. 13734

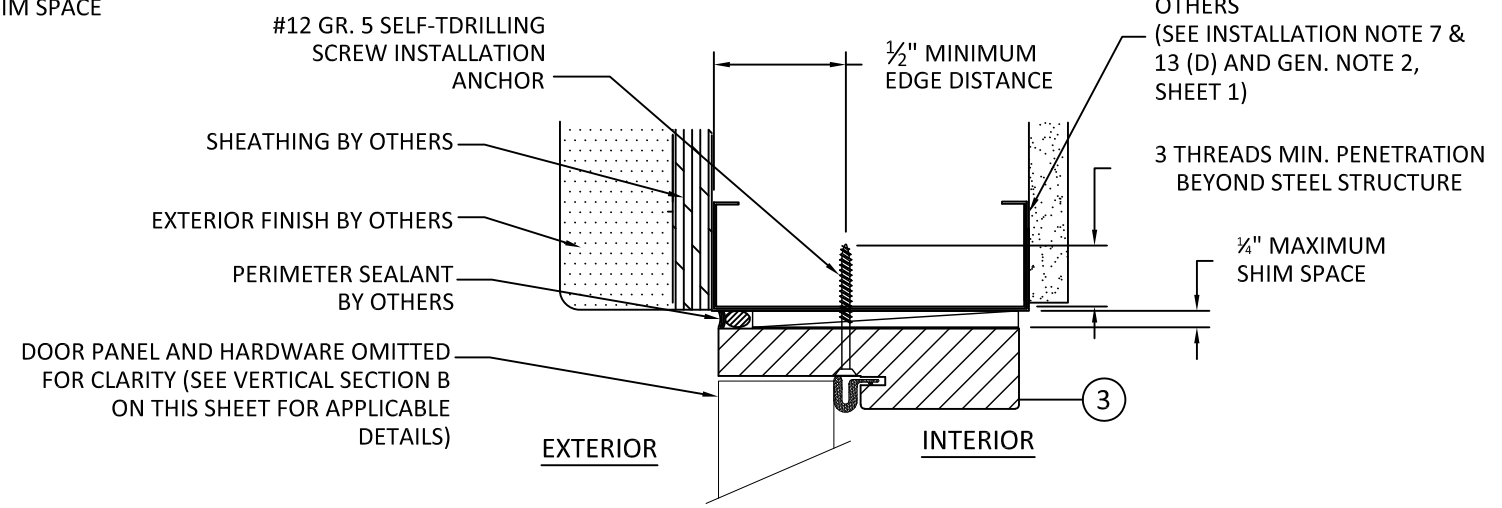
DATE:	11.02.16
DWG. BY:	LMS
CHK. BY:	MSS
SCALE:	NTS
DWG. #:	EXD009
SHEET:	6



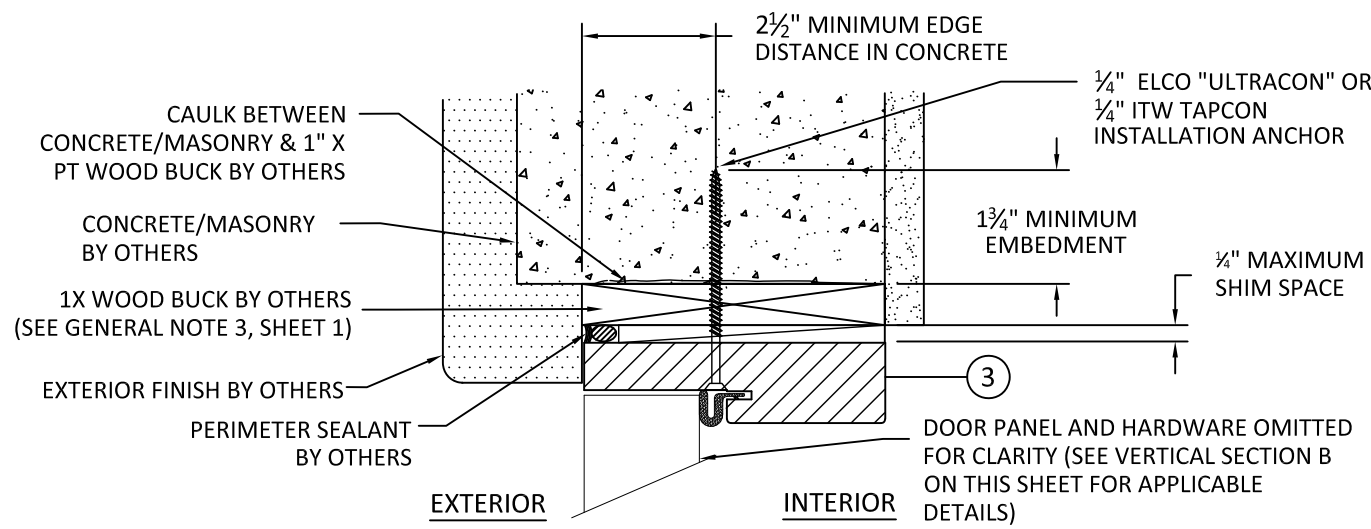
B
6 VERTICAL SECTION
HEAD - 2" X PT WOOD BUCK SHOWN



A
6 VERTICAL SECTION
SILL - CONCRETE SHOWN



C
6 VERTICAL SECTION
HEAD - STEEL STUD FRAME SHOWN



B
6 VERTICAL SECTION
HEAD - 1" X PT WOOD BUCK SHOWN



1950 NW 70TH AVE.
MIAMI, FL 33126
PH: (305) 477-2278 FAX: (305) 477-7140

TITLE: OPAQUE OUTSIDE WOOD DOOR (IMPACT)
HORIZONTAL SECTIONS
PREPARED BY: BUILDING DROPS, INC.
398 E. DANIA BEACH BLVD., STE. 338
DANIA BEACH, FL 33004
PH: (954) 399-8478
FAX: (954) 744-4738
WEB: www.buildingdrops.com

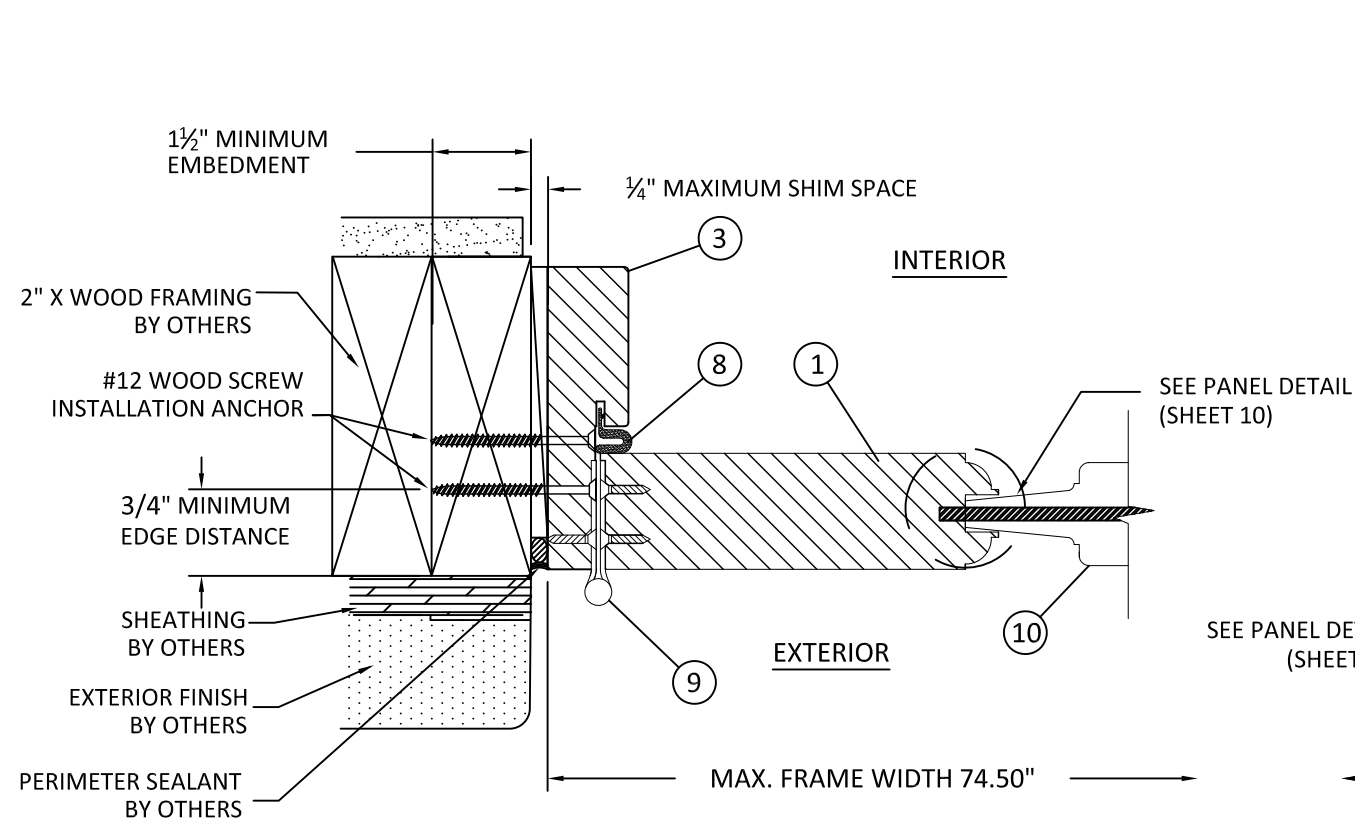
REMARKS	BY	DATE
2018 IBC & IRC UPDATE	MS	10/21

THE INSTALLATION DETAILS DESCRIBED HEREIN ARE GENERIC AND MAY NOT REFLECT ACTUAL CONDITIONS FOR A SPECIFIC SITE. IF SITE CONDITIONS CAUSE INSTALLATION TO DEVIATE FROM THE REQUIREMENTS DETAILED HEREIN, A LICENSED ENGINEER OR ARCHITECT SHALL PREPARE SITE SPECIFIC DOCUMENTS FOR USE WITH THIS DOCUMENT.

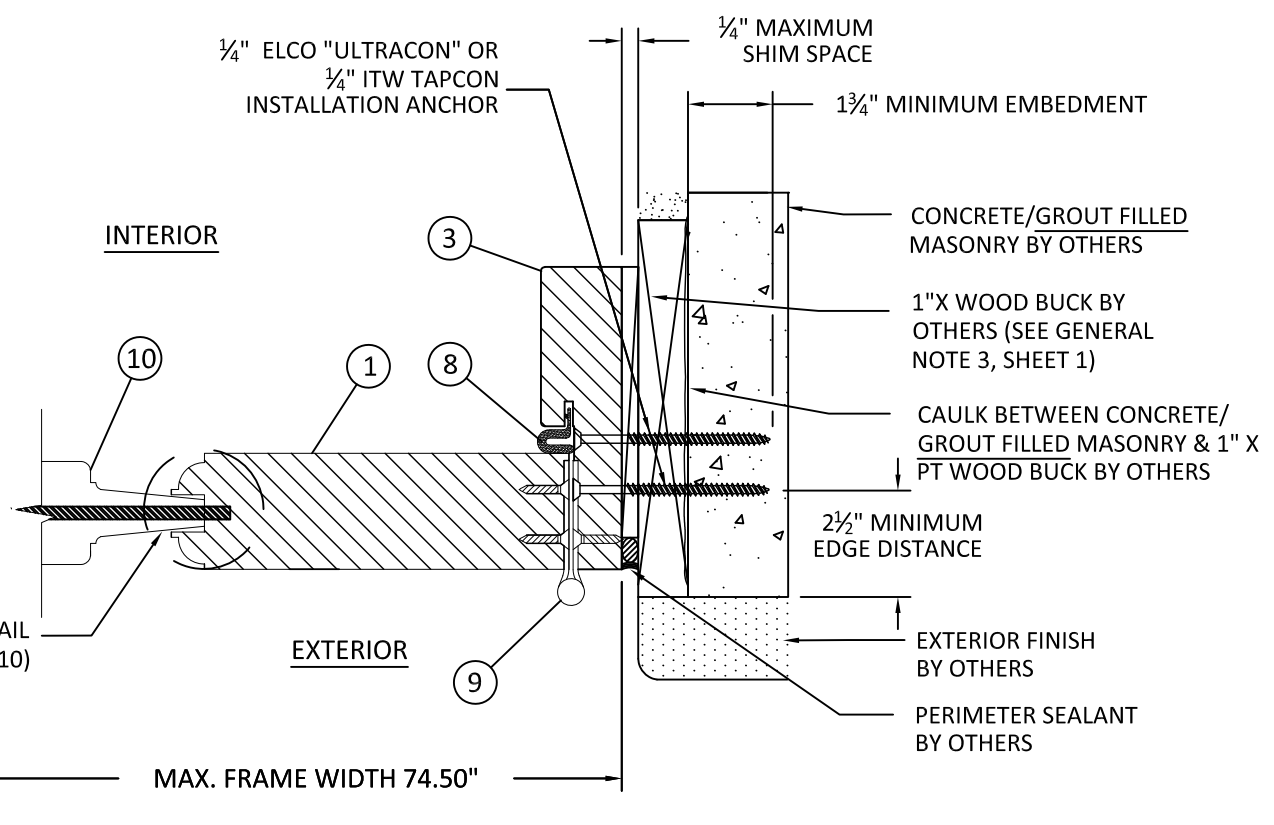


HERMES F. NORERO, P.E.
TEXAS P.E. No. 118471
BUILDING DROPS, INC
398 E. DANIA BEACH BLVD. # 338
DANIA BEACH, FL 33004
TBPE FIRM No. 13734

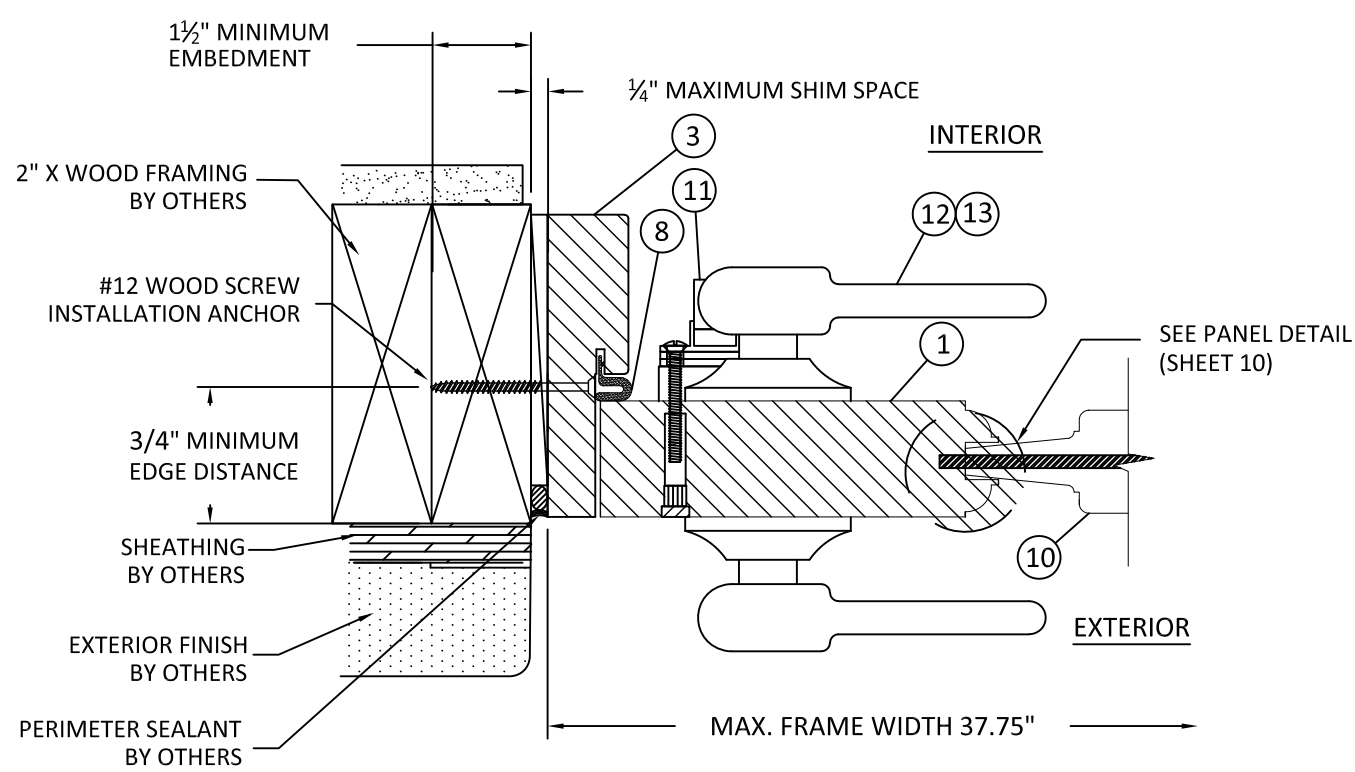
DATE:	11.02.16
DWG. BY:	LMS
CHK. BY:	MSS
SCALE:	NTS
DWG. #:	EXD009
SHEET:	7



F
7 HORIZONTAL SECTION
JAMB
2" X PT WOOD FRAMING SHOWN



G
7 HORIZONTAL SECTION
JAMB
1" X PT WOOD BUCK AND CONCRETE/MASONRY SHOWN



O
7 HORIZONTAL SECTION
SINGLE DOOR (X) JAMB AT LOCK STILE
2" X PT WOOD FRAMING SHOWN

11/22/2021 9:00 AM
s:\projects\exclusive wood doors\tir-21-1001 - tir submittal - dr848 re-evaluation\dwgs\exd009.dwg

TITLE: OPAQUE OUTSIDE WOOD DOOR
(IMPACT)
DOOR PANEL SECTIONS

PREPARED BY:
B.D.
BUILDING DROPS
BUILDING DROPS, INC.
398 E. DANIA BEACH BLVD., STE. 338
DANIA BEACH, FL 33004
PH: (954) 399-8478
FAX: (954) 744-4738
WEB: www.buildingdrops.com

REMARKS	BY	DATE
2018 IBC & IRC UPDATE	MS	10/21

THE INSTALLATION DETAILS DESCRIBED HEREIN ARE GENERIC AND MAY NOT REFLECT ACTUAL CONDITIONS FOR A SPECIFIC SITE. IF SITE CONDITIONS CAUSE INSTALLATION TO DEVIATE FROM THE REQUIREMENTS DETAILED HEREIN, A LICENSED ENGINEER OR ARCHITECT SHALL PREPARE SITE SPECIFIC DOCUMENTS FOR USE WITH THIS DOCUMENT.



HERMES F. NORERO, P.E.
TEXAS P.E. No 118471
BUILDING DROPS, INC
398 E. DANIA BEACH BLVD. # 338
DANIA BEACH, FL 33004
TBPE FIRM No. 13734

DATE: 11.02.16

DWG. BY: LMS

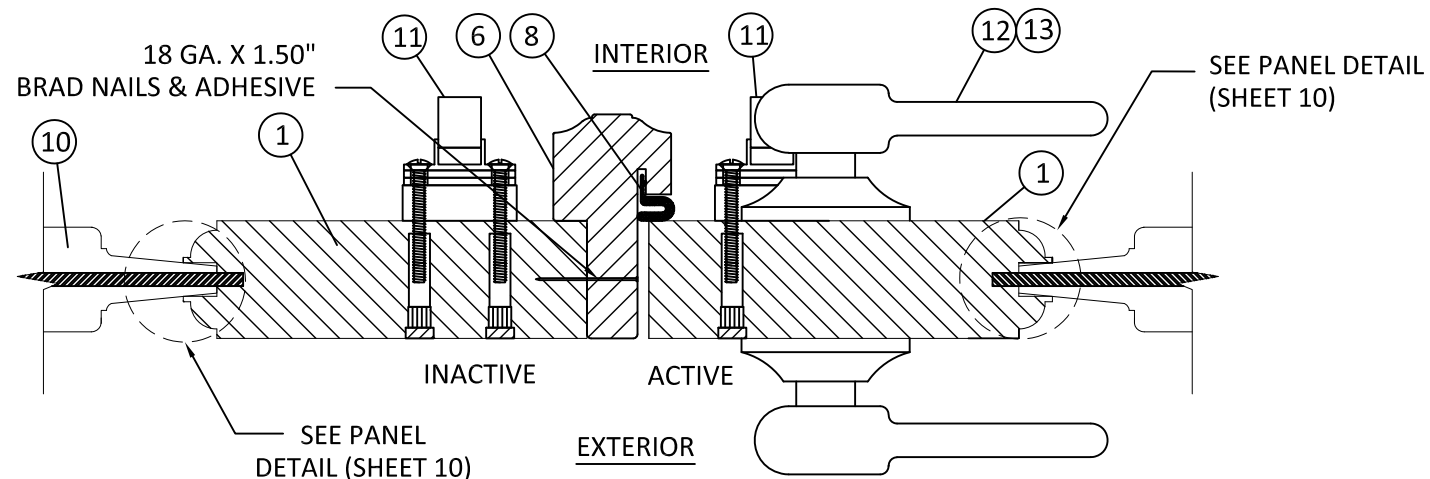
CHK. BY: MSS

SCALE: NTS

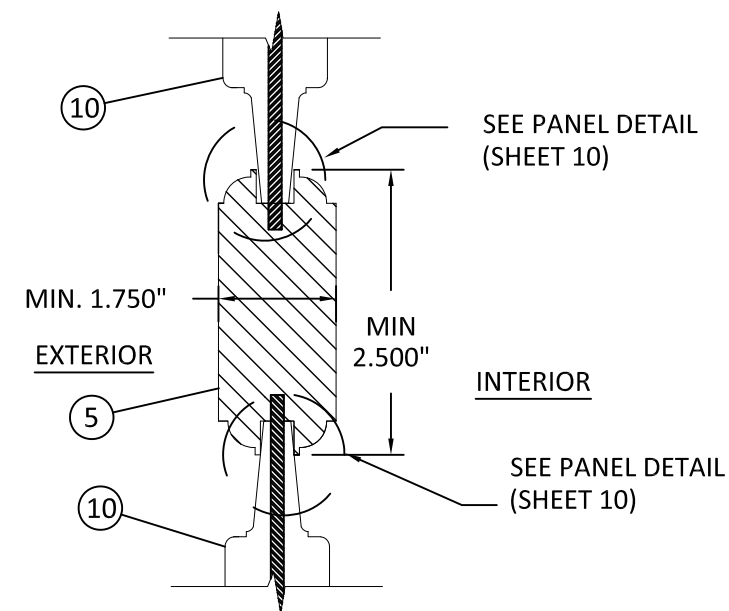
DWG. #: EXD009

SHEET:

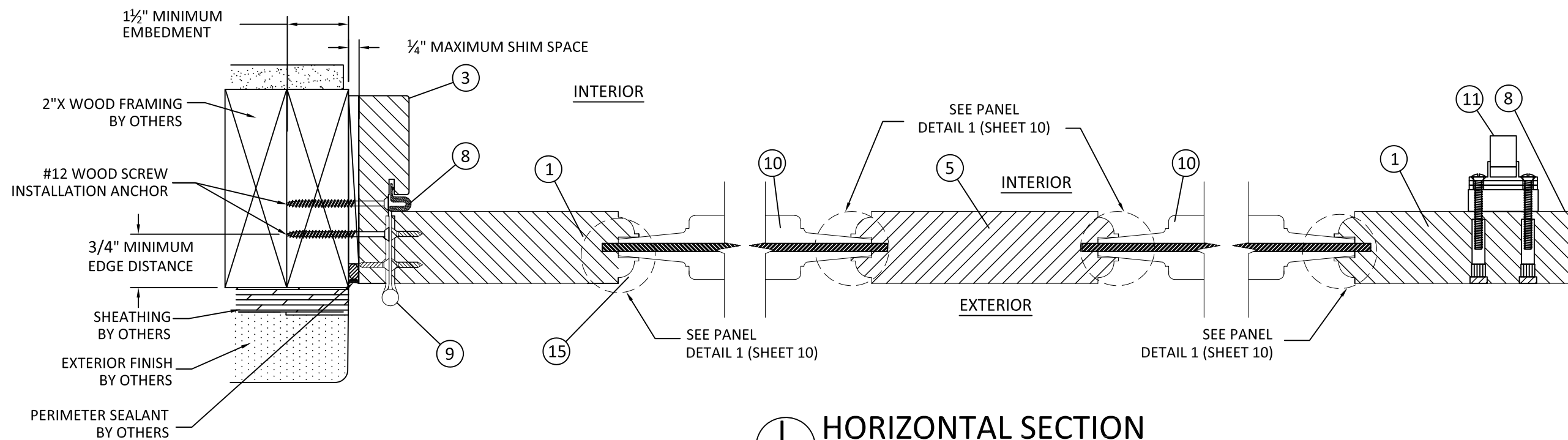
8



H
8 HORIZONTAL SECTION
ASTRAGAL



D
8 VERTICAL SECTION
MIDRAIL
RAISED PANEL



I
8 HORIZONTAL SECTION
RAISED PANEL/MIDSTILE (INACTIVE PANEL)

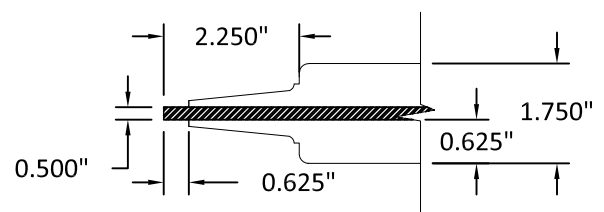


1950 NW 70TH AVE.
MIAMI, FL 33126
PH: (305) 477-2278 FAX: (305) 477-7140

TITLE: OPAQUE OUTSIDE WOOD DOOR (IMPACT)
COMPONENTS & BILL OF MATERIALS
PREPARED BY: BUILDING DROPS, INC.
398 E. DANIA BEACH BLVD., STE. 338
DANIA BEACH, FL 33004
PH: (954) 399-8478
FAX: (954) 744-4738
WEB: www.buildingdrops.com

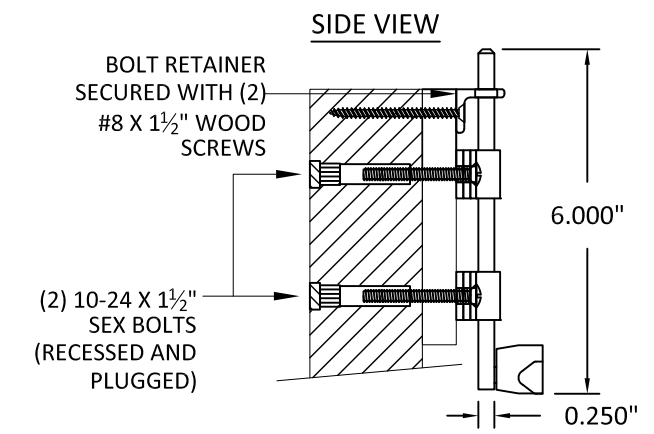
BILL OF MATERIALS			
ITEM NO.	DESCRIPTION	MATERIAL (SEE NOTE)	MANUFACTURER
1	PANEL RAIL/STILE	MAHOGANY	EXCLUSIVE WOOD DOORS
3	HEAD & JAMB	MAHOGANY	EXCLUSIVE WOOD DOORS
4	SILL (3-PIECE)	MAHOGANY AND AL 6063-T5	EXCLUSIVE WOOD DOORS
5	MIDRAIL/MIDSTILE	MAHOGANY	EXCLUSIVE WOOD DOORS
6	ASTRAGAL	MAHOGANY	EXCLUSIVE WOOD DOORS
7	DOOR SWEEP	POLYURETHANE	AFCO
8	COMPRESSION WEATHERSTRIP	URETHANE FOAM	Q-LON
9	4½" X 4½" BUTT HINGE	12 GA. STEEL	PENROD
10	RAISED PANEL	MAHOGANY WITH PLYWOOD CORE	EXCLUSIVE WOOD DOORS
11	SURFACE BOLTS W/ STRIKE PLATE	STAINLESS STEEL	DELTANA
12	ENTRY LATCH & DEADBOLT	HARDENED STEEL	KWIKSET
13	INACTIVE STILE FLUSH BOLTS	HARDENED STEEL	PENROD
14	TWO-POINT LOCK FOR INACTIVE STILE	HARDENED STEEL	TRILENNIUM
15	FIVE-PT LOCK FOR ACTIVE STILE	HARDENED STEEL	TRILENNIUM
16	THREE-PT LOCK FOR SINGLE DOOR	HARDENED STEEL	TRILENNIUM

10 RAISED PANEL MAHOGANY WITH PLYWOOD CORE (SEE PANEL DETAIL 1, SHEET 10)

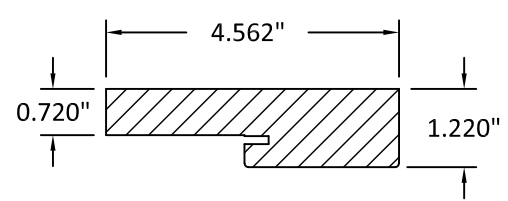


NOTE: ALL "MAHOGANY" TO BE ONE OF THE FOLLOWING MATERIALS:
1. MARA MACHO (CEDRELINGA CATENEAFORMIS); S.G. =0.55; EMIN = 1,441 KSI; MOR =9,865 PSI.
2. TROPICAL WALNUT (CARINIANA ESTRELLENSIS); S.G. =0.68; EMIN = 1,520 KSI; MOR = 12,032 PSI.
DATA REFERENCED FROM CADEFOR. ALL S.G. DATA GIVEN AT 12% MOISTURE CONTENT.

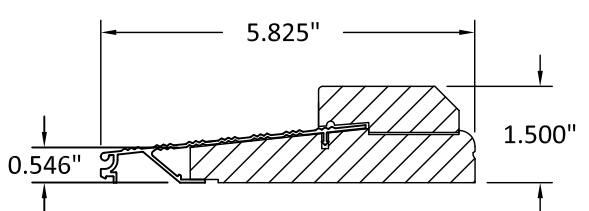
11 SURFACE BOLTS STAINLESS STEEL



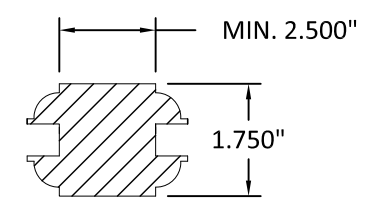
3 HEAD AND JAMB MAHOGANY



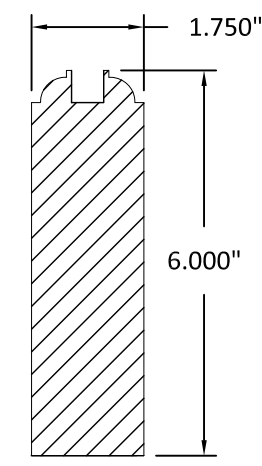
4 SILL (3 PIECES) MAHOGANY/AL 6063-T5



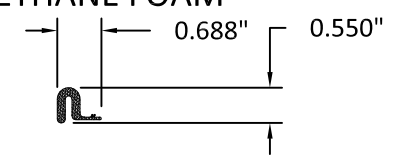
5 MIDRAIL/MIDSTILE MAHOGANY



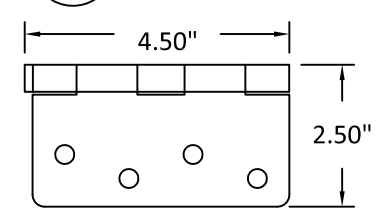
1 PANEL RAIL/STILE MAHOGANY



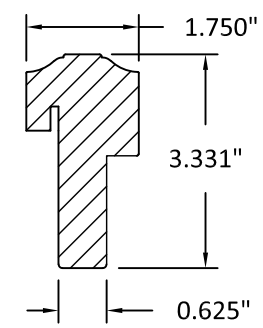
8 COMPRESSION WEATHERSTRIP URETHANE FOAM



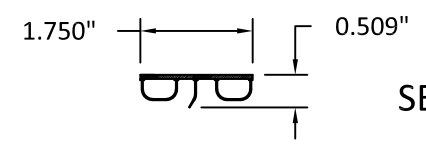
9 BUTT HINGE 12 GA STEEL



6 ASTRAGAL MAHOGANY



7 DOOR SWEEP POLYURETHANE



SEE SHEETS 11 AND 12 FOR ITEMS 13-16

REMARKS	BY	DATE
2018 IBC & IRC UPDATE	MS	10/21

THE INSTALLATION DETAILS DESCRIBED HEREIN ARE GENERIC AND MAY NOT REFLECT ACTUAL CONDITIONS FOR A SPECIFIC SITE. IF SITE CONDITIONS CAUSE INSTALLATION TO DEVIATE FROM THE REQUIREMENTS DETAILED HEREIN, A LICENSED ENGINEER OR ARCHITECT SHALL PREPARE SITE SPECIFIC DOCUMENTS FOR USE WITH THIS DOCUMENT.



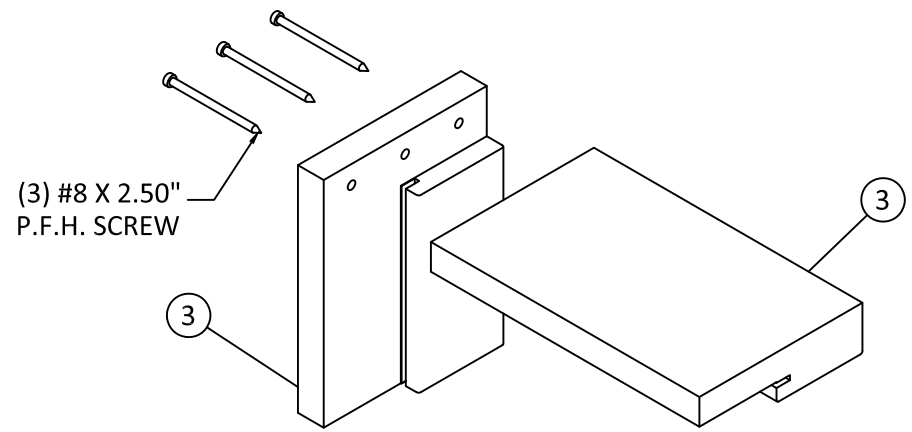
HERMES F. NORERO, P.E.
TEXAS P.E. No 118471
BUILDING DROPS, INC
398 E. DANIA BEACH BLVD. # 338
DANIA BEACH, FL 33004
TBPE FIRM No. 13734

DATE:	11.02.16
DWG. BY:	LMS
CHK. BY:	MSS
SCALE:	NTS
DWG. #:	EXD009
SHEET:	

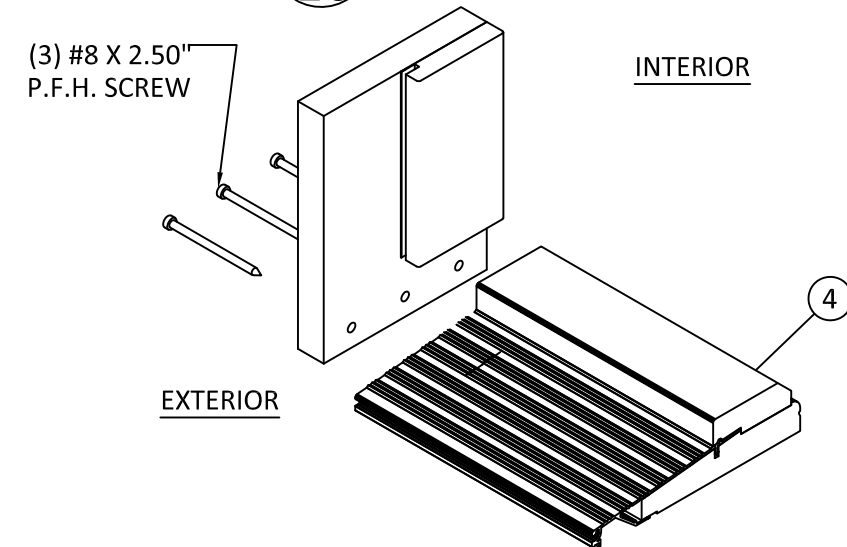
9

11/22/2021 9:00 AM s:\projects\exclusive wood doors\tdr-21-1001 - tdr submittal - dr648 re-evaluation\dwgs\exd009.dwg

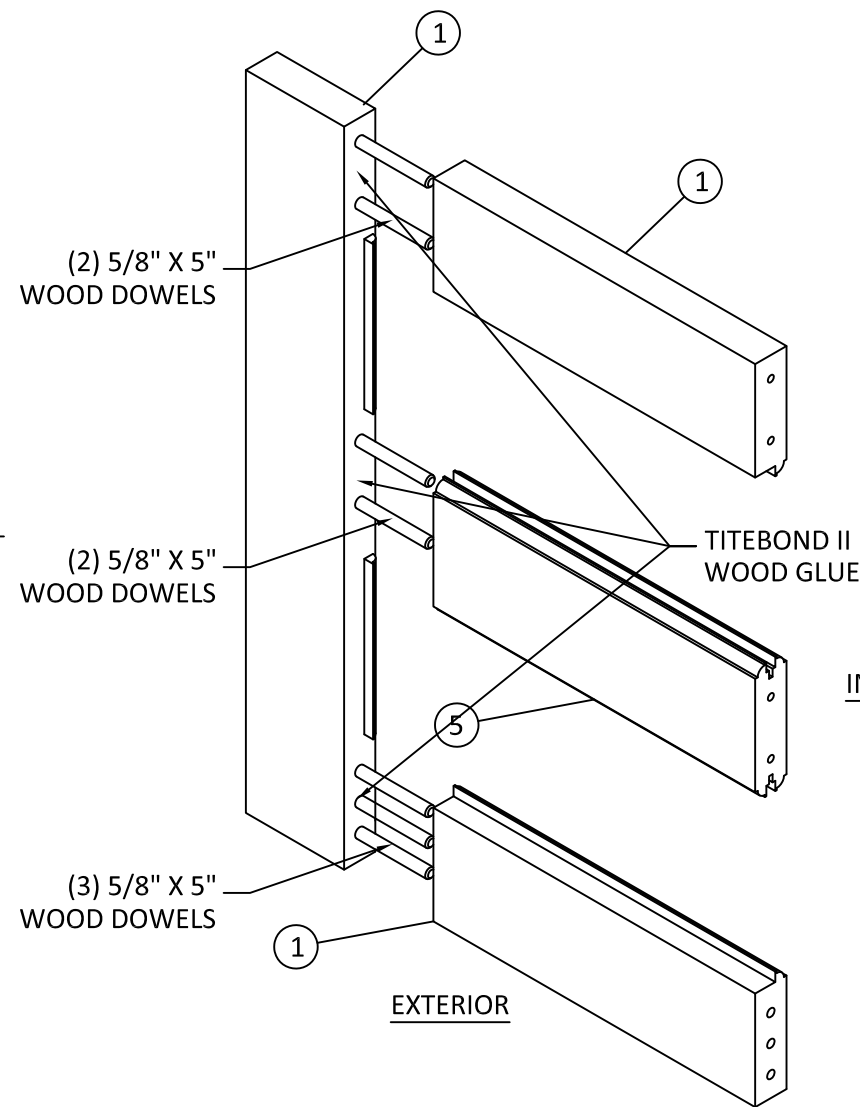
11/22/2021 9:00 AM



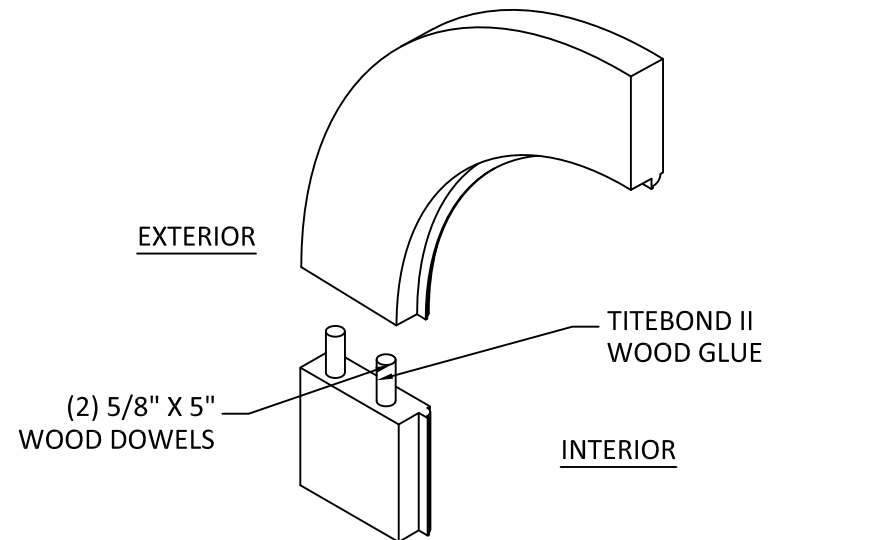
L
10 CORNER SECTION
RECTANGULAR FRAME TOP ASSEMBLY



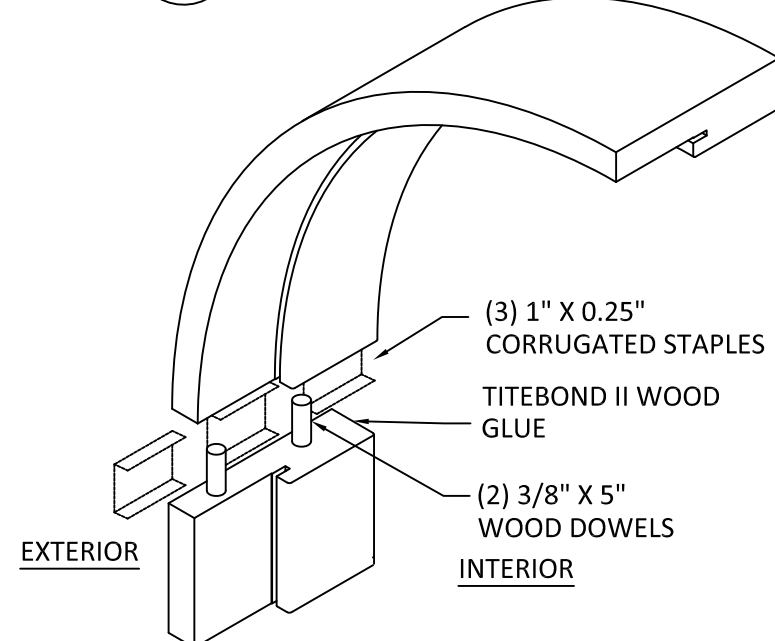
J
10 CORNER SECTION
FRAME BOTTOM ASSEMBLY



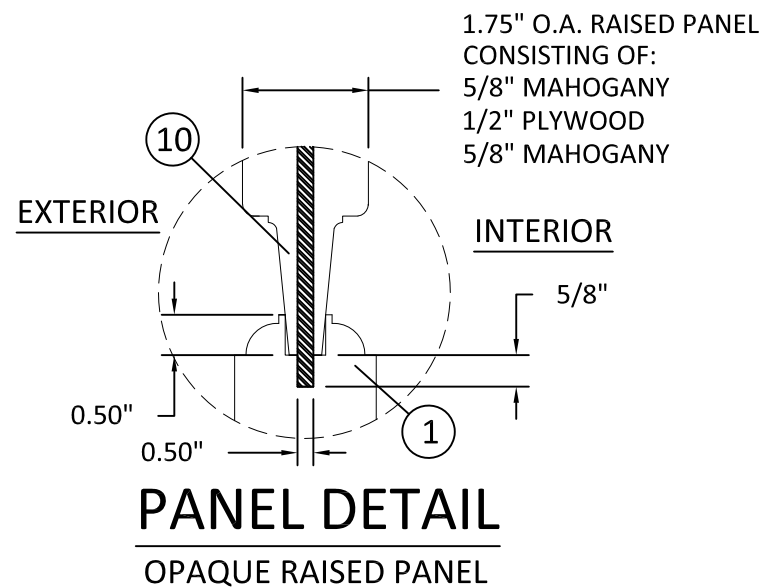
K
10 CORNER SECTION
TOP/BOTTOM PANEL ASSEMBLY, TYP.



N
10 CORNER SECTION
CURVED PANEL TOP ASSEMBLY, TYP.



M
10 CORNER SECTION
CURVED FRAME TOP ASSEMBLY, TYP.



PANEL DETAIL
OPAQUE RAISED PANEL



1950 NW 70TH AVE.
MIAMI, FL 33126
PH: (305) 477-2278 FAX: (305) 477-7140

TITLE: OPAQUE OUTSIDE WOOD DOOR
(IMPACT)

CORNER SECTIONS & PANEL DETAIL

PREPARED BY: **B.D. BUILDING DROPS**
BUILDING DROPS, INC.
398 E. DANIA BEACH BLVD., STE. 338
DANIA BEACH, FL 33004
PH: (954) 399-8478
FAX: (954) 744-4738
WEB: www.buildingdrops.com

REMARKS	BY	DATE
2018 IBC & IRC UPDATE	MS	10/21

THE INSTALLATION DETAILS DESCRIBED HEREIN ARE GENERIC AND MAY NOT REFLECT ACTUAL CONDITIONS FOR A SPECIFIC SITE. IF SITE CONDITIONS CAUSE INSTALLATION TO DEVIATE FROM THE REQUIREMENTS DETAILED HEREIN, A LICENSED ENGINEER OR ARCHITECT SHALL PREPARE SITE SPECIFIC DOCUMENTS FOR USE WITH THIS DOCUMENT.



HERMES F. NORERO, P.E.
TEXAS P.E. No. 118471
BUILDING DROPS, INC.
398 E. DANIA BEACH BLVD. # 338
DANIA BEACH, FL 33004
TBPE FIRM No. 13734

DATE: 11.02.16

DWG. BY: LMS
CHK. BY: MSS

SCALE: NTS

DWG. #: EXD009

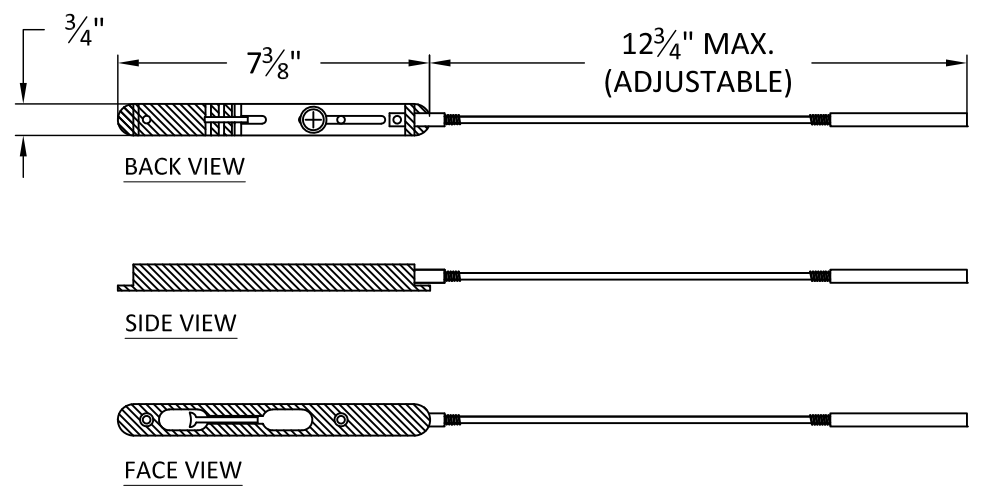
SHEET: 10

s:\projects\exclusive wood doors\tir-21-1001 - tir submittal - dr648 re-evaluation\dwg\exd009.dwg

11/22/2021 9:00 AM
s:\projects\exclusive wood doors\tdr-21-1001 - tdr submittal - dr648 re-evaluation\dwgs\exd009.dwg

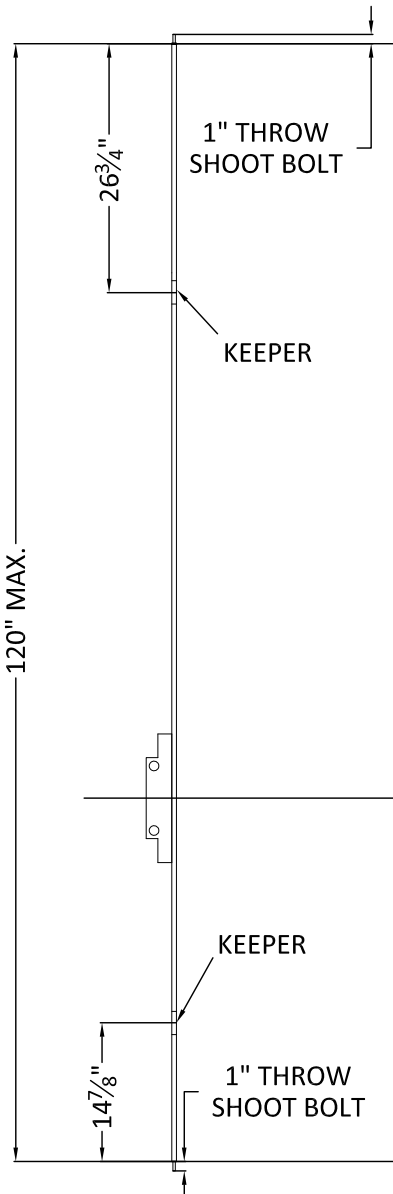
ITEM 13
FLUSH BOLT

LOCATED AT TOP AND BOTTOM OF INACTIVE DOOR LOCK STILE TO SECURE INACTIVE DOOR DURING NORMAL USE. NOT A SUBSTITUTE FOR SURFACE BOLTS



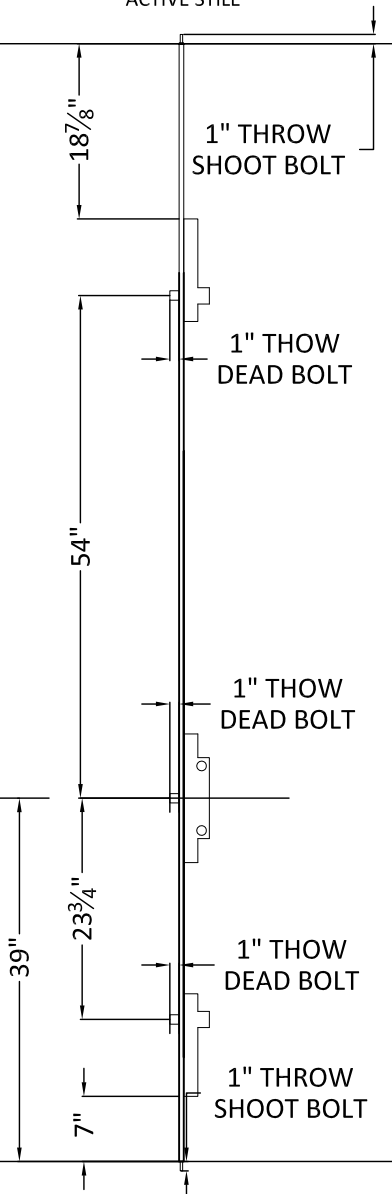
ITEM 14

TRILENNIUM®
MODEL 3020 TWO-POINT LOCK FOR DOUBLE DOOR INACTIVE STILE



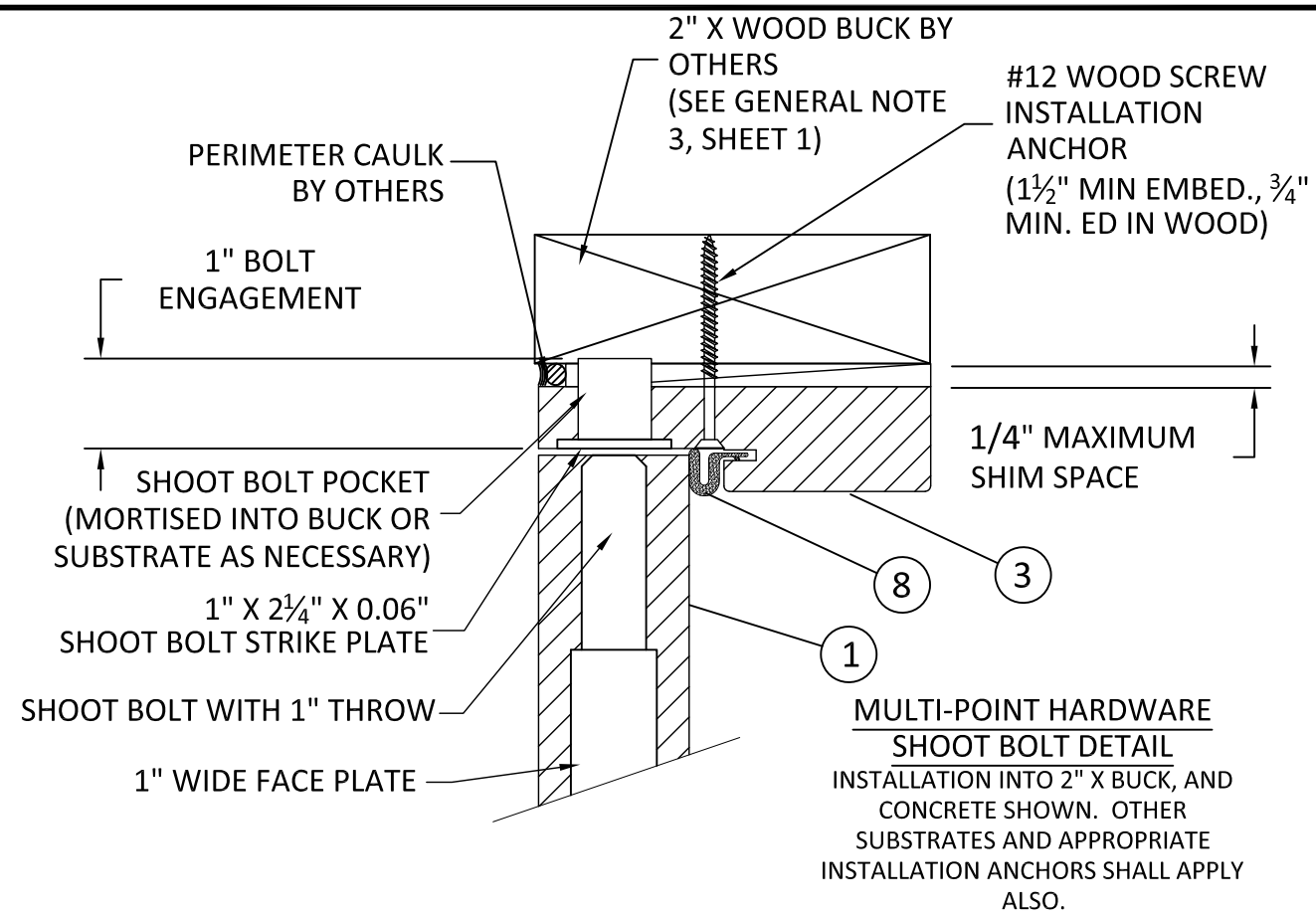
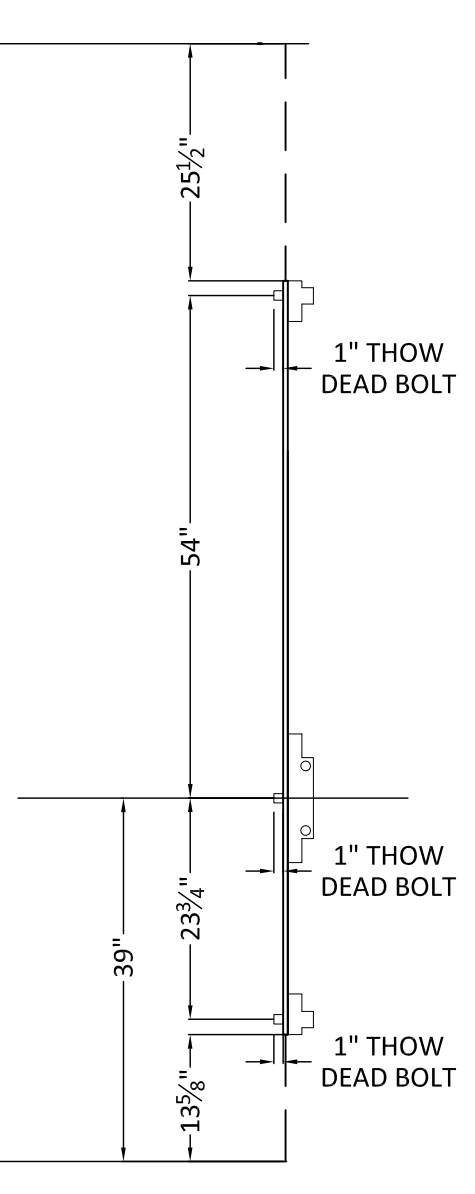
ITEM 15

TRILENNIUM®
MODEL 3500 FIVE-POINT LOCK FOR DOUBLE DOOR ACTIVE STILE

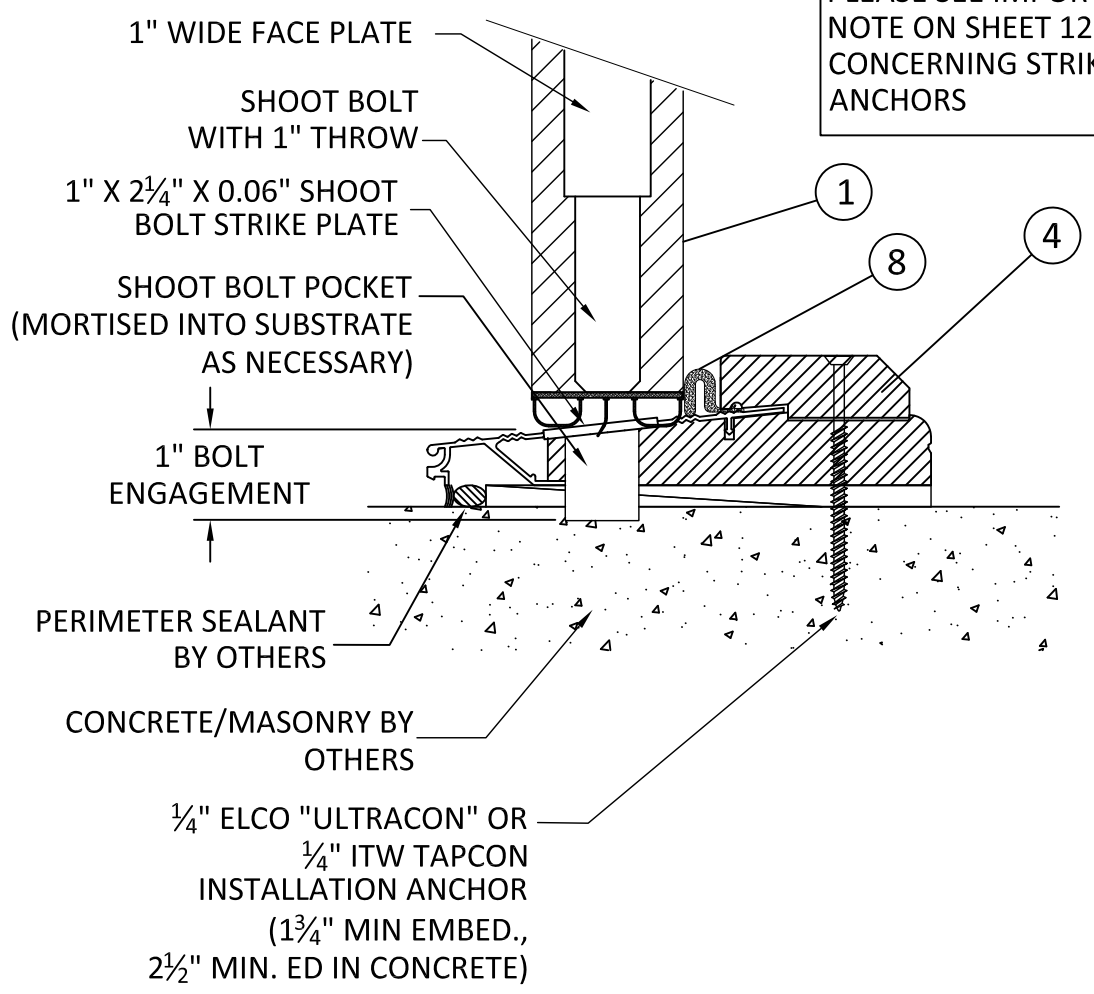


ITEM 16

TRILENNIUM®
MODEL 3000 THREE-POINT LOCK FOR SINGLE DOOR



PLEASE SEE IMPORTANT NOTE ON SHEET 12 CONCERNING STRIKE PLATE ANCHORS



EXCLUSIVE
EWD
WOOD DOORS

1950 NW 70TH AVE.
MIAMI, FL 33126
PH: (305) 477-2278 FAX: (305) 477-7140

TITLE: OPAQUE OUTSIDE WOOD DOOR (IMPACT)
LOCKING HARDWARE DETAILS (1)

PREPARED BY: **B.D. BUILDING DROPS**

BUILDING DROPS, INC.
398 E. DANIA BEACH BLVD., STE. 338
DANIA BEACH, FL 33004
PH: (954) 399-8478
FAX: (954) 744-4738
WEB: www.buildingdrops.com

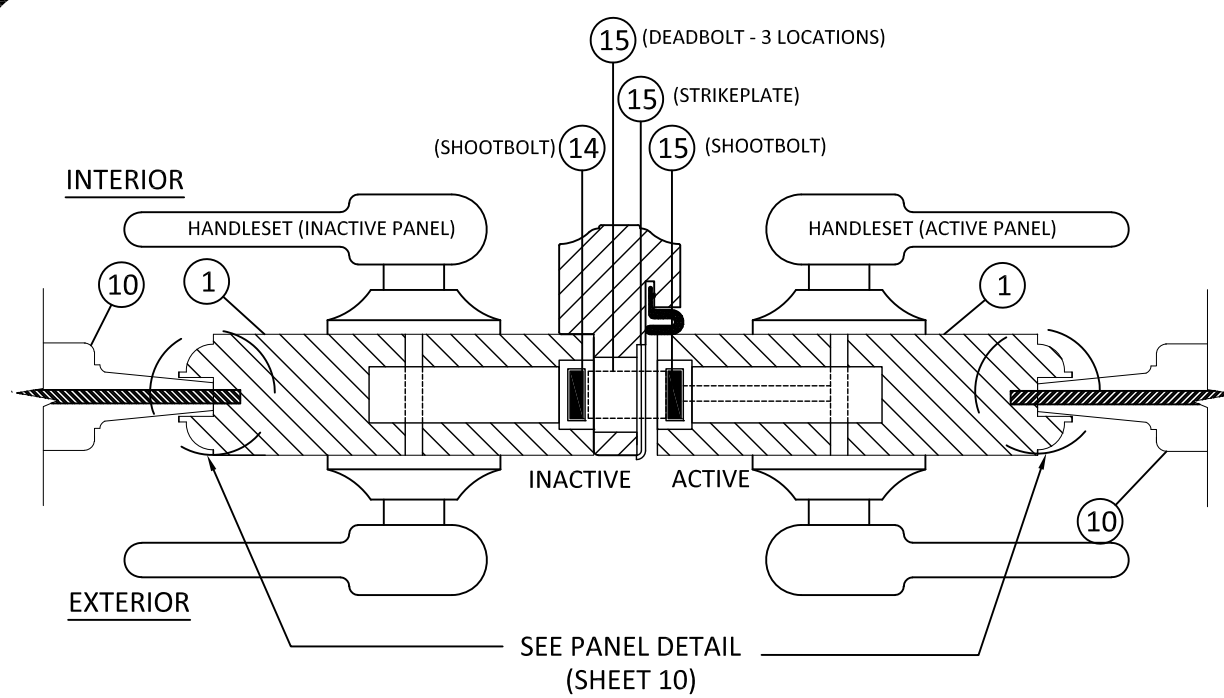
REMARKS	BY	DATE
2018 IBC & IRC UPDATE	MS	10/21

THE INSTALLATION DETAILS DESCRIBED HEREIN ARE GENERIC AND MAY NOT REFLECT ACTUAL CONDITIONS FOR A SPECIFIC SITE. IF SITE CONDITIONS CAUSE INSTALLATION TO DEVIATE FROM THE REQUIREMENTS DETAILED HEREIN, A LICENSED ENGINEER OR ARCHITECT SHALL PREPARE SITE SPECIFIC DOCUMENTS FOR USE WITH THIS DOCUMENT.

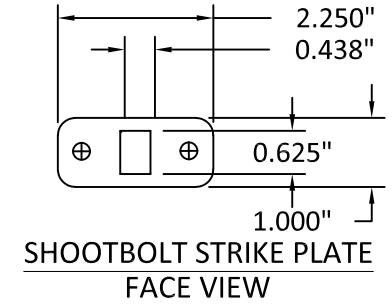
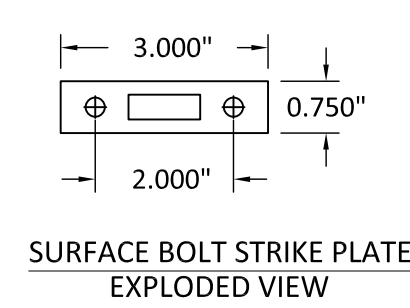
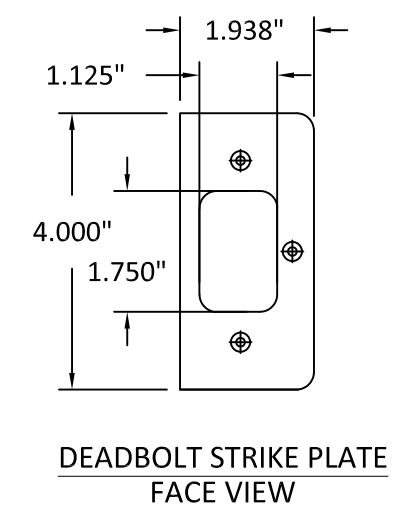


HERMES F. NORERO, P.E.
TEXAS P.E. No 118471
BUILDING DROPS, INC
398 E. DANIA BEACH BLVD. # 338
DANIA BEACH, FL 33004
TBPE FIRM No. 13734

DATE:	11.02.16	
DWG. BY:	LMS	CHK. BY: MSS
SCALE:	NTS	
DWG. #:	EXD009	
SHEET:	11	

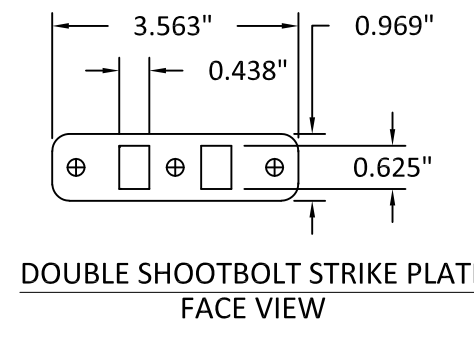


R
12 HORIZONTAL SECTION
MULTI-POINT LOCK OPTION



IMPORTANT NOTE CONCERNING STRIKE PLATE INSTALLATION

AT EACH FRAME-MOUNTED STRIKE PLATE, WHETHER AT THE HEAD, THE SILL, OR THE LOCK JAMB FOR A SINGLE DOOR, AT LEAST ONE INSTALLATION ANCHOR, OF THE SAME SIZE AND TYPE AS USED TO ANCHOR THE FRAME SHALL ALSO SECURE THE STRIKE PLATE, THROUGH THE FRAME AND EMBED THE REQUIRED DISTANCE INTO THE SUBSTRATE BENEATH.
IN THE CASE OF CONCRETE OR MASONRY SUBSTRATE, ONE SUCH ANCHOR SHALL BE SO EMPLOYED.
IN THE CASE OF WOOD OR METAL SUBSTRATE, TWO SUCH ANCHORS SHALL BE SO EMPLOYED.



THESE ANCHORS MAY BE IN ADDITION TO THOSE CALLED-OUT FOR FRAME INSTALLATION, OR, IN CASES WHERE SPACING CONSIDERATIONS ALLOW, ANCHORS MAY BE THE SAME ANCHORS AS THOSE CALLED-OUT FOR FRAME INSTALLATION.

REMAINING STRIKE PLATE SCREW HOLES SHALL BE FILLED WITH #8 X 3/4" FHWS TO SECURE STRIKE PLATES TO JAMBS.

TITLE: OPAQUE OUTSIDE WOOD DOOR (IMPACT)
LOCKING HARDWARE DETAILS (2)

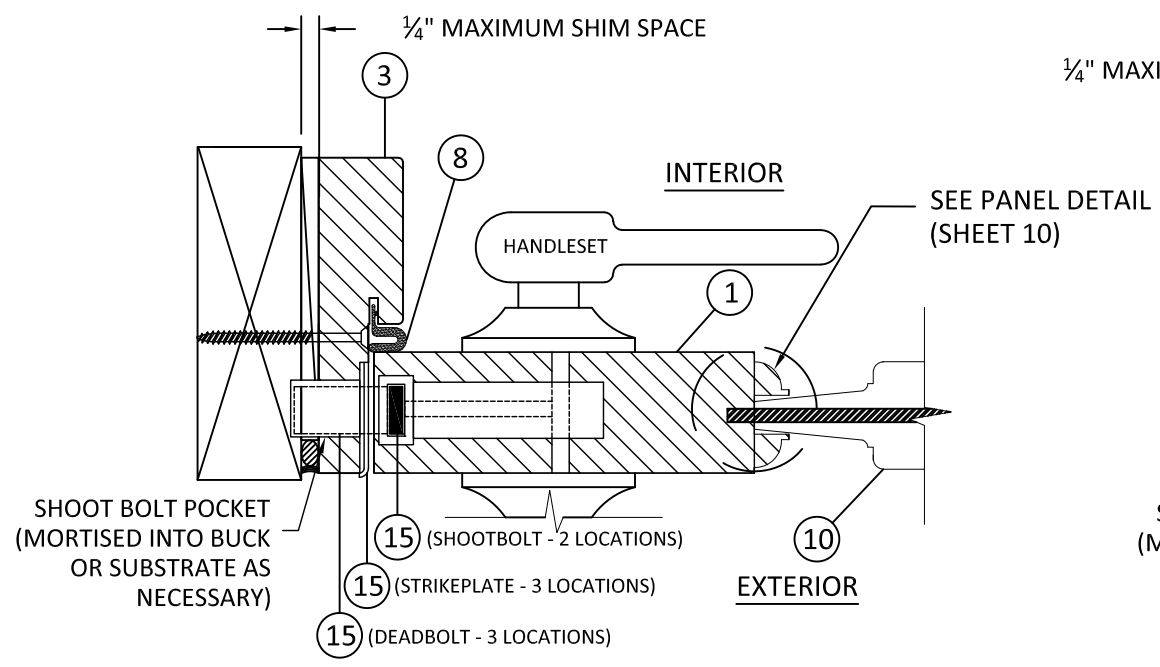
PREPARED BY: **BUILDING DROPS, INC.**
398 E. DANIA BEACH BLVD., STE. 338
DANIA BEACH, FL 33004
PH: (954) 399-8478
FAX: (954) 744-4738
WEB: www.buildingdrops.com

REMARKS	BY	DATE
2018 IBC & IRC UPDATE	MS	10/21

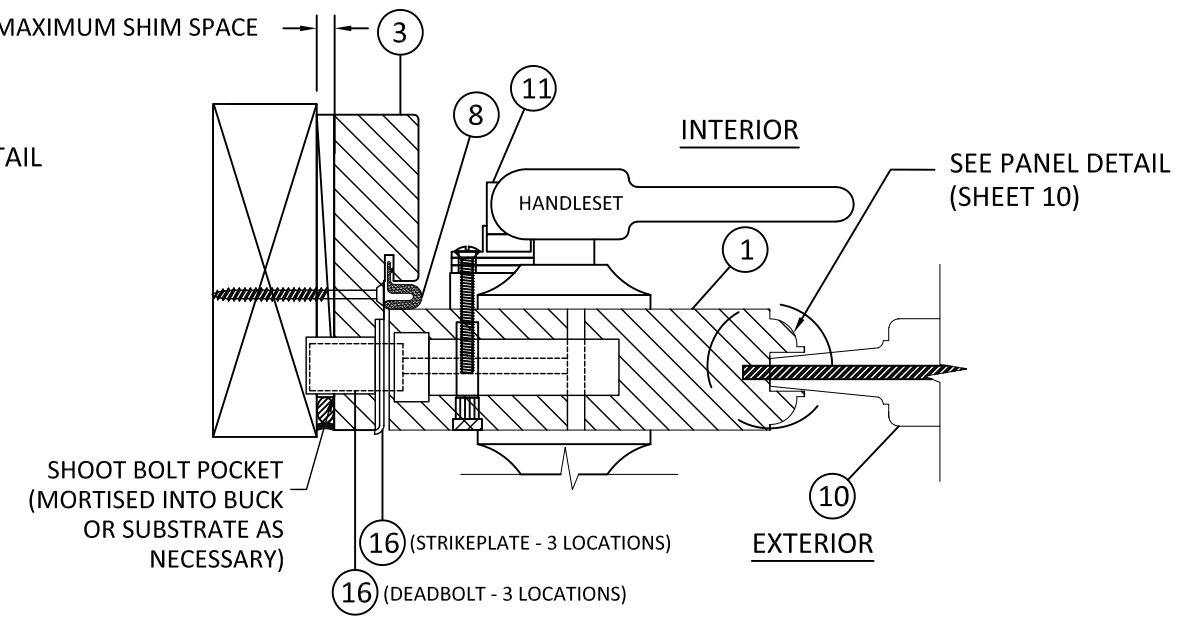
THE INSTALLATION DETAILS DESCRIBED HEREIN ARE GENERIC AND MAY NOT REFLECT ACTUAL CONDITIONS FOR A SPECIFIC SITE. IF SITE CONDITIONS CAUSE INSTALLATION TO DEVIATE FROM THE REQUIREMENTS DETAILED HEREIN, A LICENSED ENGINEER OR ARCHITECT SHALL PREPARE SITE SPECIFIC DOCUMENTS FOR USE WITH THIS DOCUMENT.



HERMES F. NORERO, P.E.
TEXAS P.E. No 118471
BUILDING DROPS, INC
398 E. DANIA BEACH BLVD. # 338
DANIA BEACH, FL 33004
TBPE FIRM No. 13734



P
12 HORIZONTAL SECTION
SINGLE DOOR MULTIPOINT LOCK OPTION A
SEE DETAIL O SHEET 7 INSTALLATION



Q
12 HORIZONTAL SECTION
SINGLE DOOR MULTIPOINT LOCK OPTION B
SEE DETAIL O SHEET 7 FOR INSTALLATION

DATE:	11.02.16
DWG. BY:	LMS
CHK. BY:	MSS
SCALE:	NTS
DWG. #:	EXD009
SHEET:	12



1950 NW 70TH AVE.
MIAMI, FL 33126
PH: (305) 477-2278 FAX: (305) 477-7140

TITLE: OPAQUE OUTSIDE WOOD DOOR (IMPACT)
QUALIFIED PANEL CONFIGURATIONS

PREPARED BY: BUILDING DROPS, INC.
398 E. DANIA BEACH BLVD., STE. 338
DANIA BEACH, FL 33004
PH: (954) 399-8478
FAX: (954) 744-4738
WEB: www.buildingdrops.com

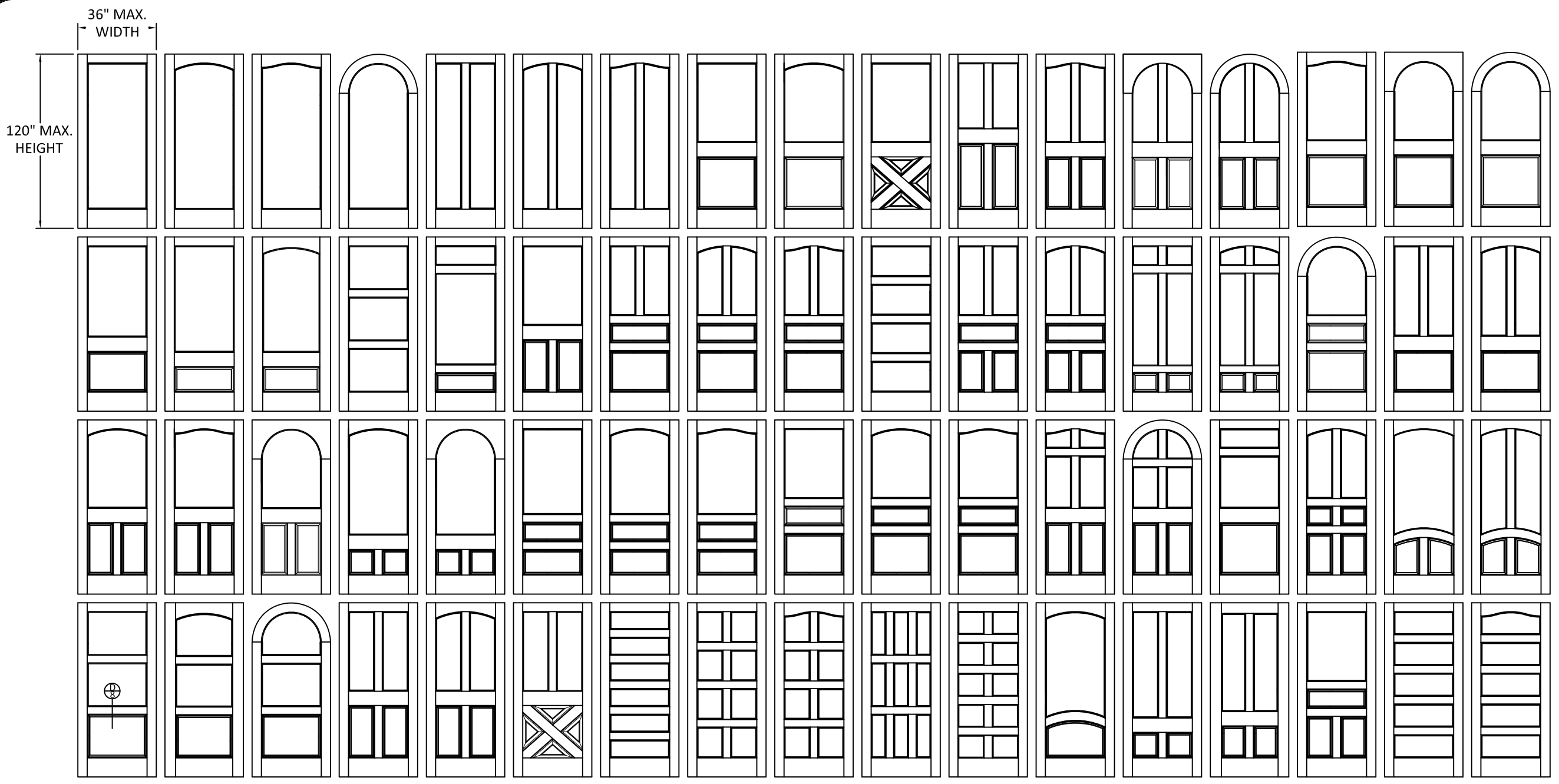
REMARKS	BY	DATE
2018 IBC & IRC UPDATE	MS	10/21

THE INSTALLATION DETAILS DESCRIBED HEREIN ARE GENERIC AND MAY NOT REFLECT ACTUAL CONDITIONS FOR A SPECIFIC SITE. IF SITE CONDITIONS CAUSE INSTALLATION TO DEVIATE FROM THE REQUIREMENTS DETAILED HEREIN, A LICENSED ENGINEER OR ARCHITECT SHALL PREPARE SITE SPECIFIC DOCUMENTS FOR USE WITH THIS DOCUMENT.



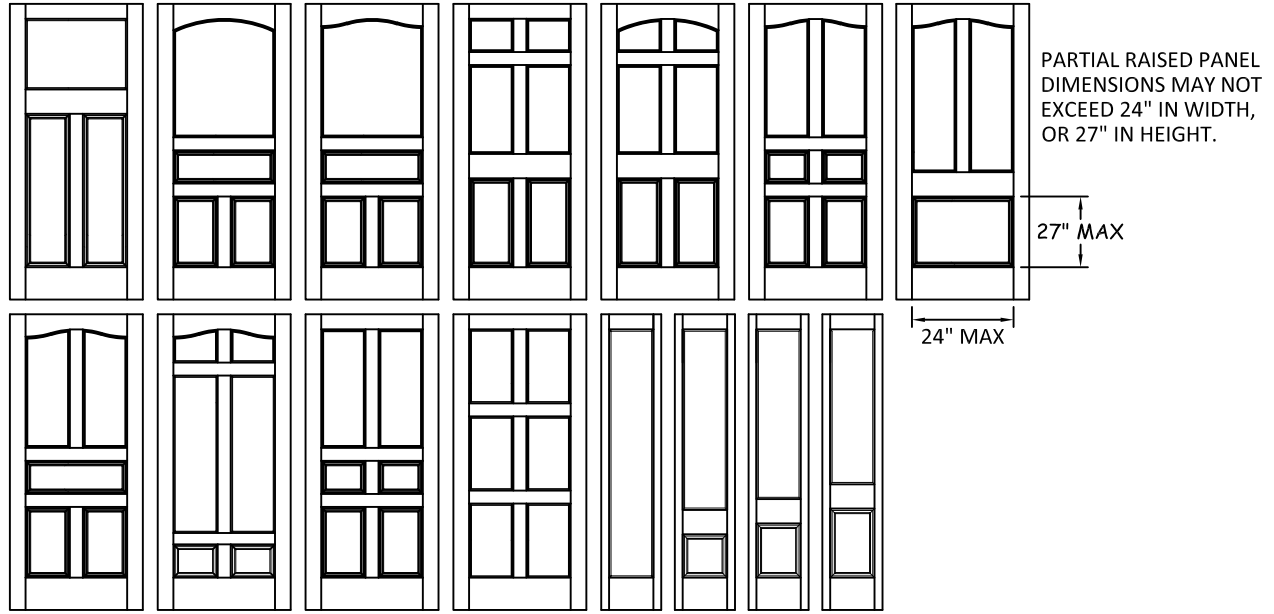
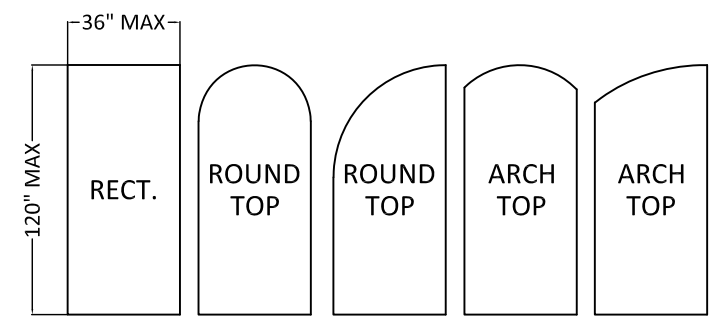
HERMES F. NORERO, P.E.
TEXAS P.E. No 118471
BUILDING DROPS, INC
398 E. DANIA BEACH BLVD. # 338
DANIA BEACH, FL 33004
TBPE FIRM No. 13734

DATE:	11.02.16	
DWG. BY:	LMS	CHK. BY: MSS
SCALE:	NTS	
DWG. #:	EXD009	
SHEET:	13	



- LIMITATIONS:
1. SURFACE V-GROOVES OPTIONAL FOR BOTH FLAT AND RAISED PANELS.
 2. MIN. STILE SIZE= 6.00" X 1.75"
MIN. MIDSTILE= 2.50" X 1.75"
 3. MIN. RAIL SIZE= 6.00" X 1.75"
MIN. MIDRAIL= 2.50" X 1.75"
 4. ALL ELEVATIONS SHOWN ALSO QUALIFY ANY OTHER CUSTOM SIZES SMALLER THAN TESTED WITHIN FBC ALLOWED LIMITS.
 5. ALLOWABLE CONFIGURATIONS ARE "X", AND, "XX", WHERE "X" REPRESENTS AN OPERABLE PANEL.

NOTE: DOOR PANELS MAY BE RECTANGULAR, ROUND, OR ARCH TOP.



11/22/2021 9:00 AM
s:\projects\exclusive wood doors\tdr-21-1001 - tdr submittal - dr648 re-evaluation\dwgs\exd009.dwg