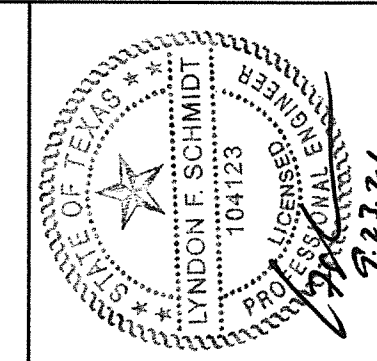
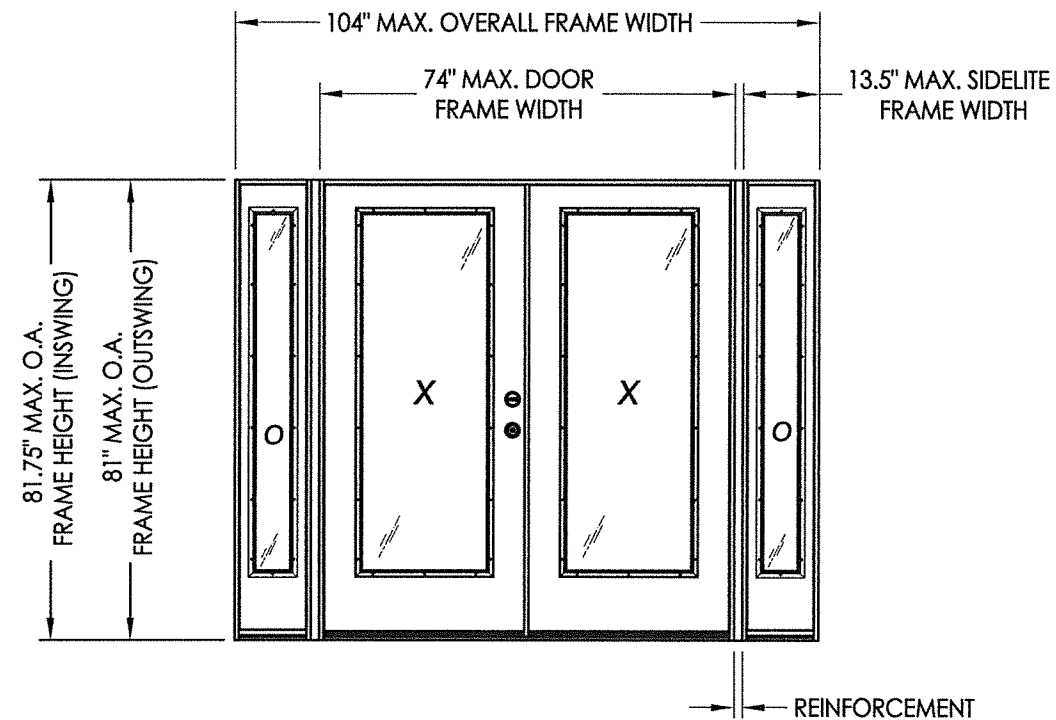
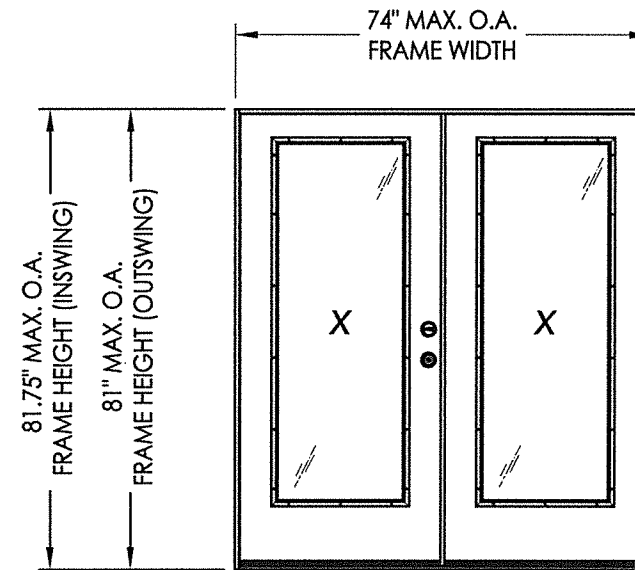




SURE ROCK GLAZED FIBERGLASS ENTRY DOORS INSWING / OUTSWING "NON-IMPACT"



Documents Prepared By: Lyndon F. Schmidt, P.E.
TEXAS P.E. #104123

RW BUILDING CONSULTANTS, INC.
P.O. Box 230 Valrico FL 33595
Phone No.: 813.659.9197

TEXAS BOARD OF PROFESSIONAL ENGINEERS
CERTIFICATE OF REGISTRATION # F-11852

EVALUATED FOR USE IN THE STATE OF TEXAS

TDI DR-836

The Fiberglass Door system described herein complies with the 2018 International Residential Code (IRC), Sections R301 & R609 and the 2018 International Building Code (IBC), Sections 1404.13, 1609, 1709.5, 2403 and 2404 subject to the following conditions:

1. Anchors shall be as listed and spaced as shown in the details. Anchor embedment to base material shall be beyond wall dressing or stucco.
2. When used in areas requiring wind-borne debris protection this product is required to be protected with an impact resistant covering that complies with Section R301.2.1.2 of the IRC and Section 1609.1.2 of the IBC.
3. Allowable design pressure requirements must be equal to or less than the design pressure rating shown in the design pressure chart, sheet 1 of this drawing.
4. Conditions not covered by this drawing are subject to further engineering analysis.

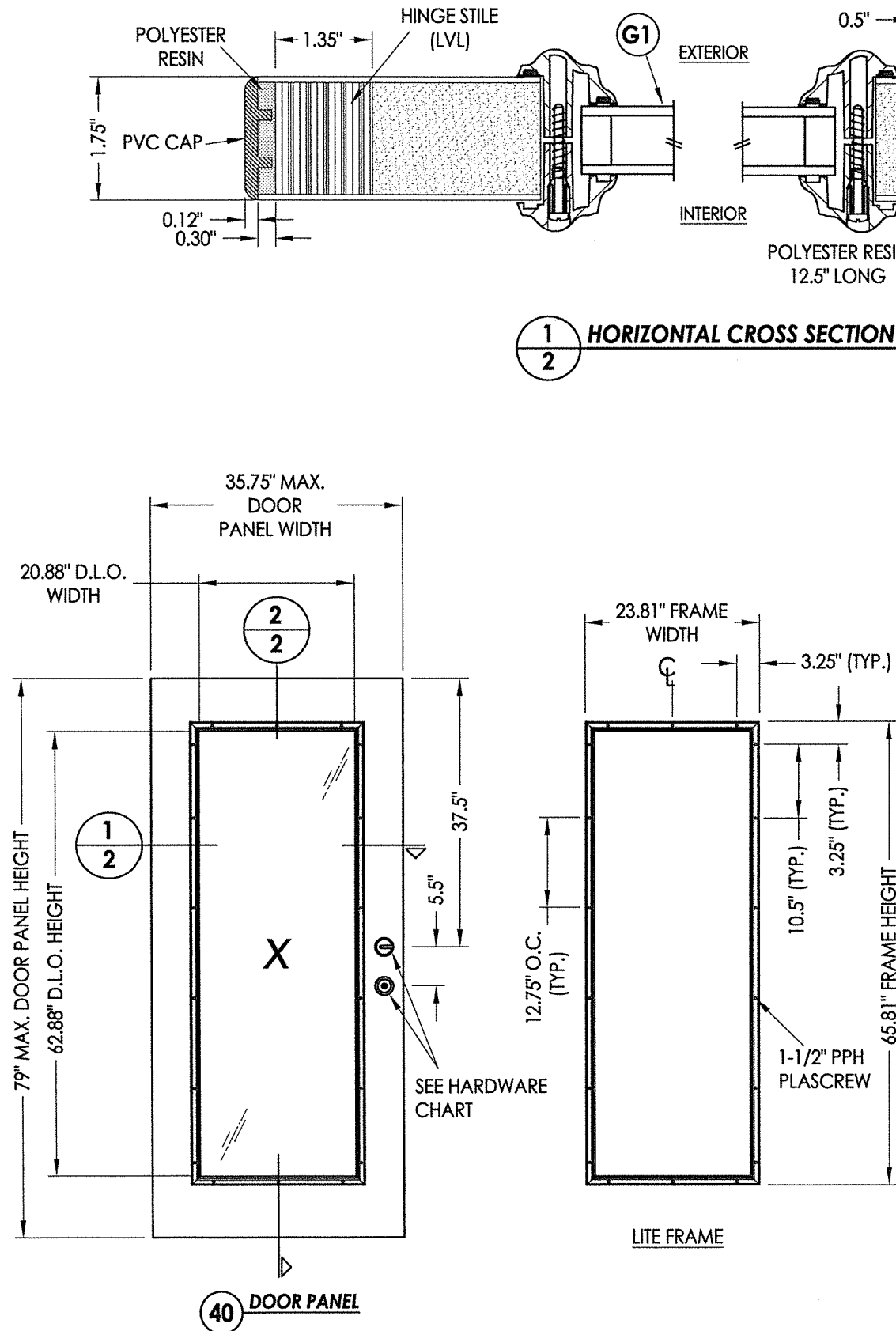
TABLE OF CONTENTS

SHEET #	DESCRIPTION
1	Typical Elevations, Design Pressures & General Notes
2	Door Panel Details
3	Sidelite Panel Details
4	Elevations
5	Horizontal & Vertical Cross Sections
6	Vertical Cross Sections
7	Frame Anchoring & Hardware Details
8	Bill of Materials & Components

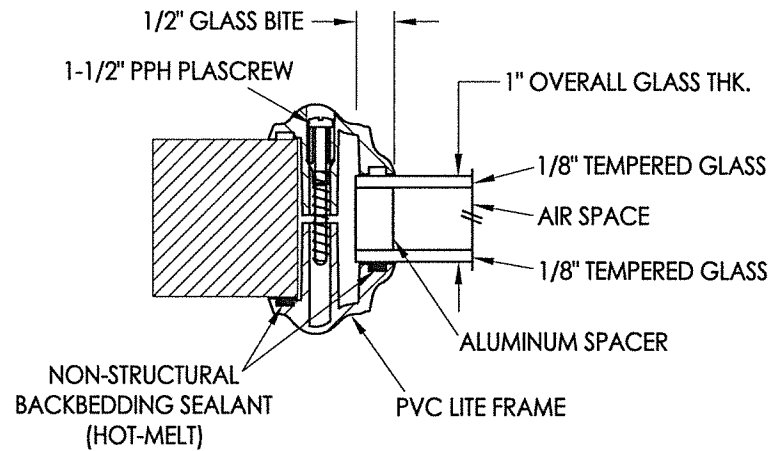
CONFIGURATION	MAX. FRAME DIMENSION	REINFORCEMENT	DESIGN PRESSURE (PSF) INSWING		DESIGN PRESSURE (PSF) OUTSWING	
			POSITIVE	NEGATIVE	POSITIVE	NEGATIVE
XX	74.0" x 81.75"	N/A	+45.0	-45.0	+45.0	-45.0
OXXO	101.0" x 81.75"	NONE	+40.0	-40.0	+40.0	-40.0
OXXO	102.5" x 81.75"	1X	+45.0	-45.0	+45.0	-45.0
OXXO	104.0" x 81.75"	2X	+45.0	-45.0	+45.0	-45.0

PRODUCT: SURE ROCK FIBERGLASS DOORS	
PART OR ASSEMBLY: TYPICAL ELEVATION, DESIGN PRESSURES & GENERAL NOTES	
DATE	7/25/16
SCALE	N.T.S.
DWG. BY	JK
CHK. BY	LFS
DRAWING NO.	TX-4823
SHEET	1 OF 8

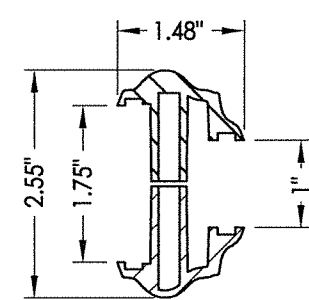
Z:\Clients\HM Sure Rock PERMANENT\B - Texas Dept of Ins\DR-836 - 6'8 Fiberglass Non-Impact Door - Glazed\C - Drawings\TX-4821-23.dwg



1
2 HORIZONTAL CROSS SECTION

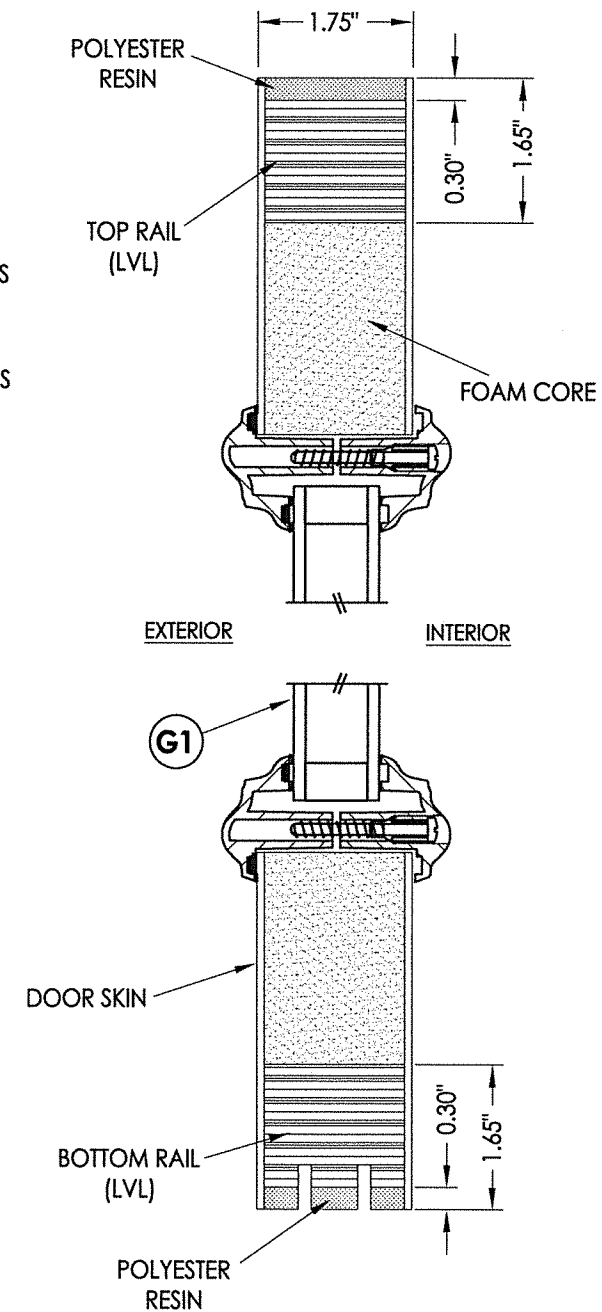


G1 GLAZING DETAIL

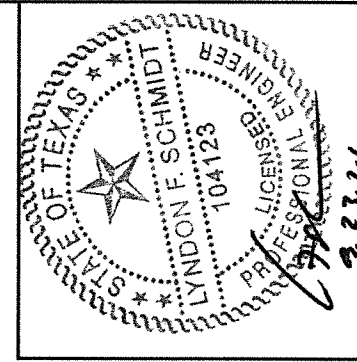


PVC LITE FRAME
HM SURE ROCK

HARDWARE TABLE	
MANUFACTURER	MODEL
KWIKSET	KNOB: Signature Series
	DEADBOLT: Signature Series (980)
SCHLAGE	KNOB: F Series (F51)
	DEADBOLT: B Series (B60N)



2
2 VERTICAL CROSS SECTION



Documents Prepared By: Lyndon F. Schmidt, P.E.
TEXAS P.E. #104123

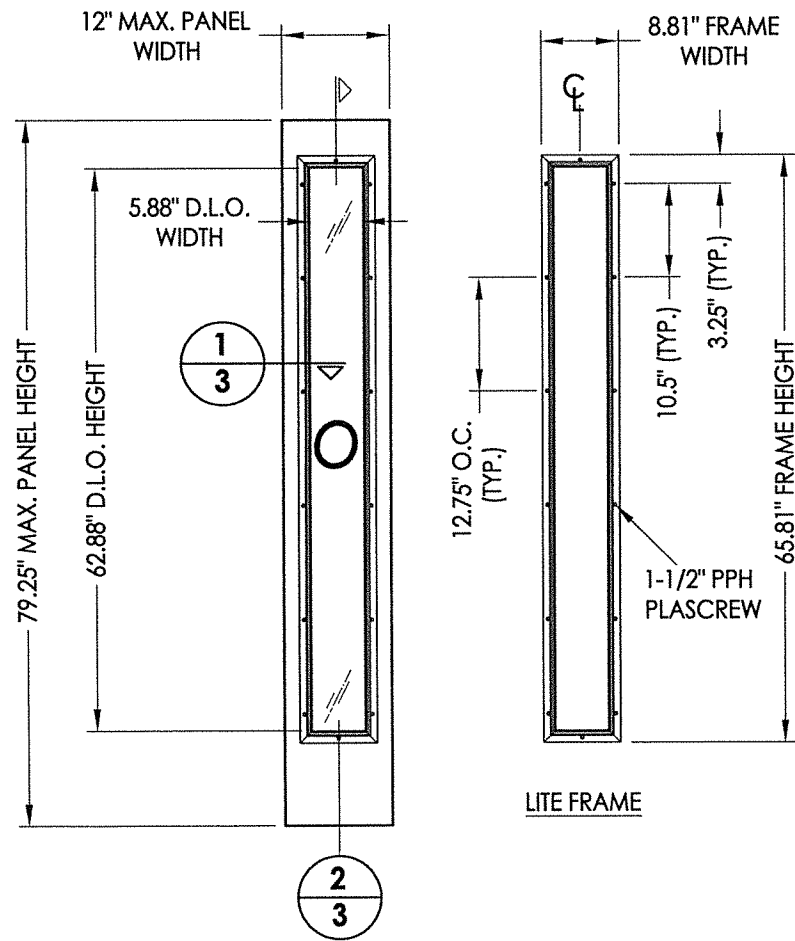
RW BUILDING CONSULTANTS, INC.
P.O. Box 230 Valrico FL 33595
Phone No.: 813.659.9197

TEXAS BOARD OF PROFESSIONAL ENGINEERS
CERTIFICATE OF REGISTRATION # F-11852

PRODUCT:	SURE ROCK FIBERGLASS DOORS
PART OR ASSEMBLY:	DOOR PANEL DETAILS
DATE:	7/25/16
SCALE:	N.T.S.
DWG. BY:	JK
CHK. BY:	LFS
DRAWING NO.:	TX-4823
SHEET	2 OF 8

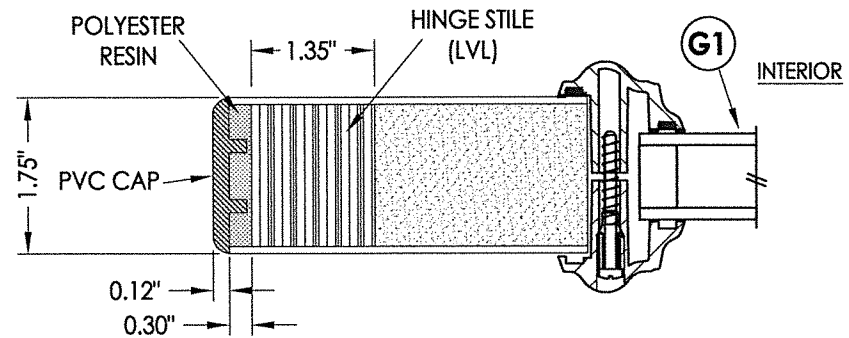
© 2016 R.W. BUILDING CONSULTANTS INC.

Z:\Clients\HM Sure Rock PERMANENT\B - Texas Dept of Ins\DR-836 - 68 Fiberglass Non-Impact Door - Glazed\C - Drawings\TX-4821-23.dwg

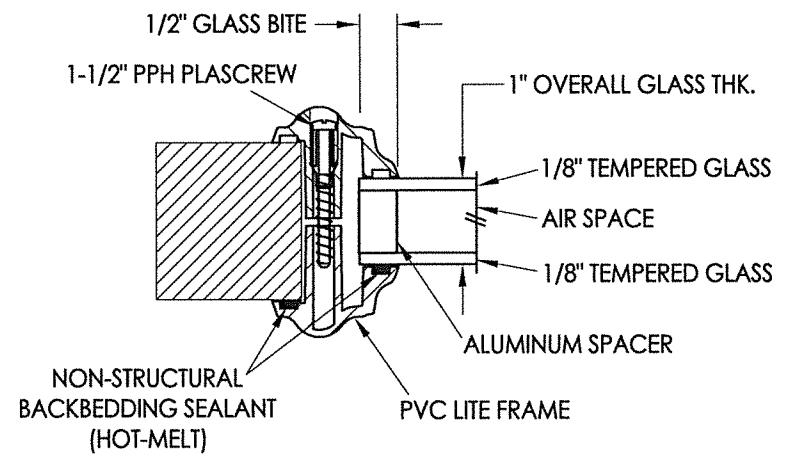


40 SIDELITE PANEL

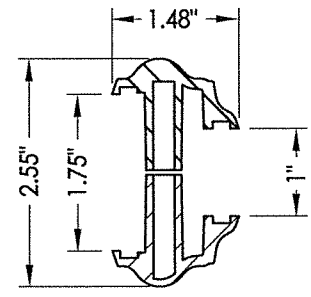
FIBERGLASS SIDELITE SKIN: MIN. 0.070\"/>



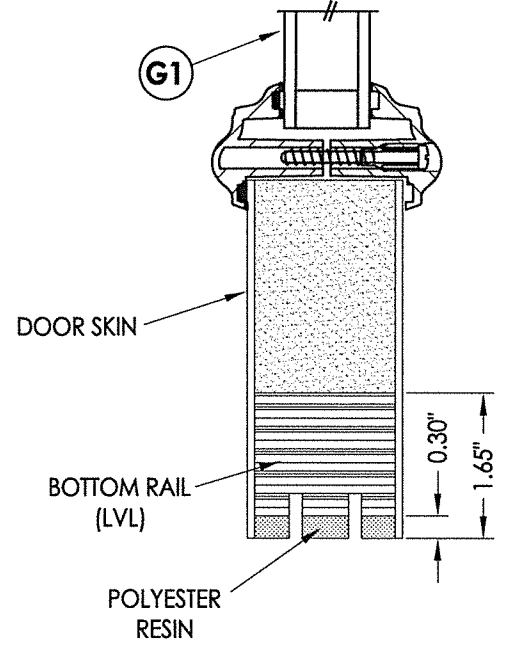
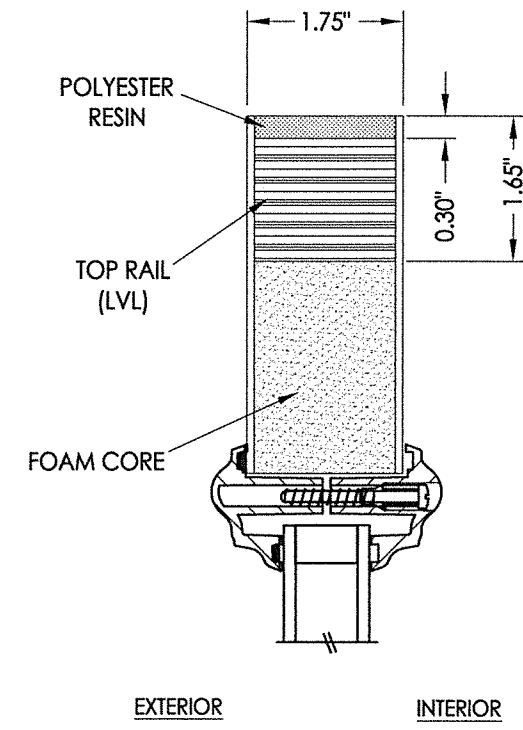
1 HORIZONTAL CROSS SECTION



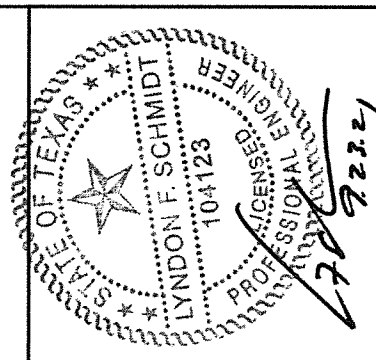
G1 GLAZING DETAIL



**PVC LITE FRAME
HM SURE ROCK**



2 VERTICAL CROSS SECTION



Documents Prepared By: Lyndon F. Schmidt, P.E.
TEXAS P.E. #104123

RW BUILDING CONSULTANTS, INC.
P.O. Box 230 Valrico FL 33595
Phone No.: 813.659.9197

TEXAS BOARD OF PROFESSIONAL ENGINEERS
CERTIFICATE OF REGISTRATION # F-11852

PRODUCT: SURE ROCK FIBERGLASS DOORS

PART OR ASSEMBLY: SIDELITE PANEL DETAILS

NO.	DATE	DESCRIPTION	BY
1	9/23/21	UPDATE TO 2018 IBC/IRC CODE	LFS

DATE: 7/25/16

SCALE: N.T.S.

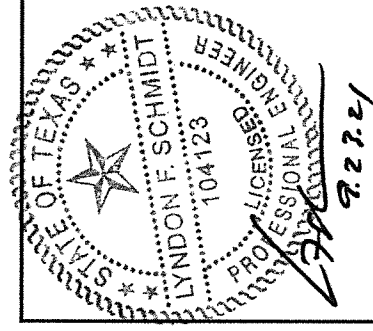
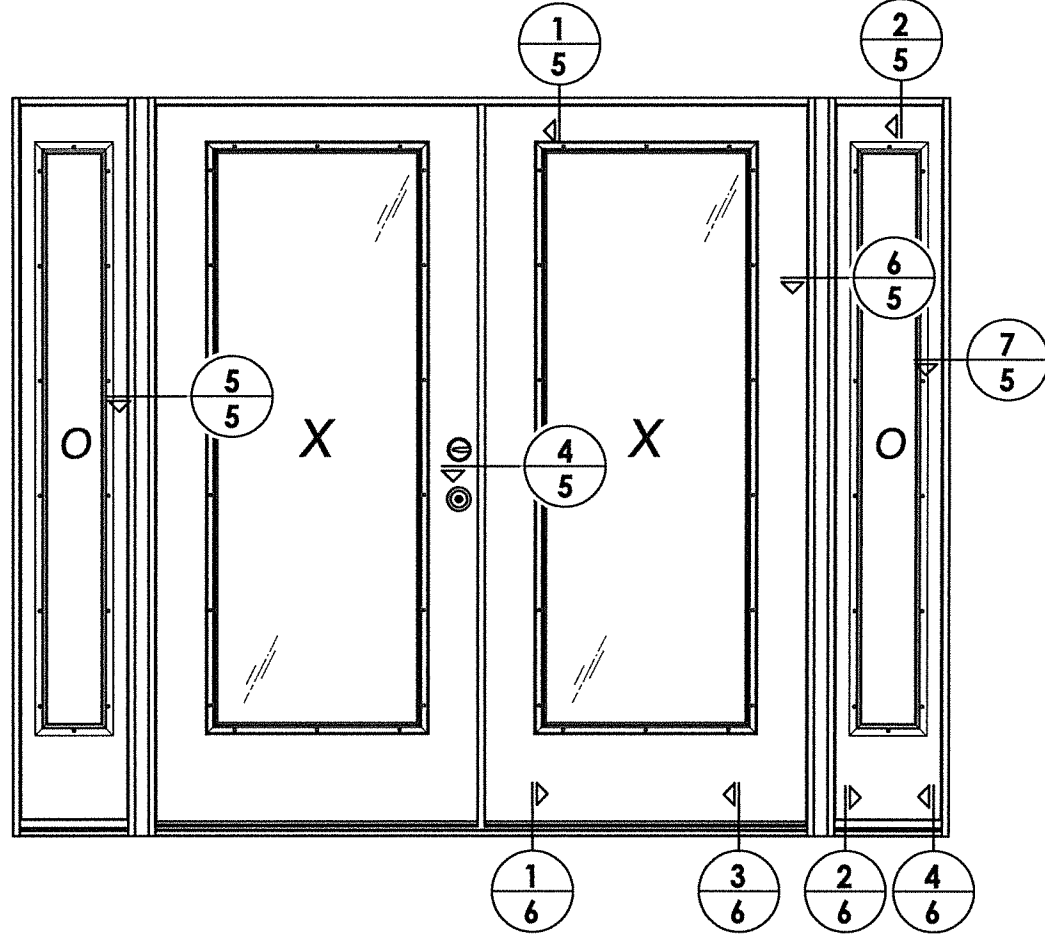
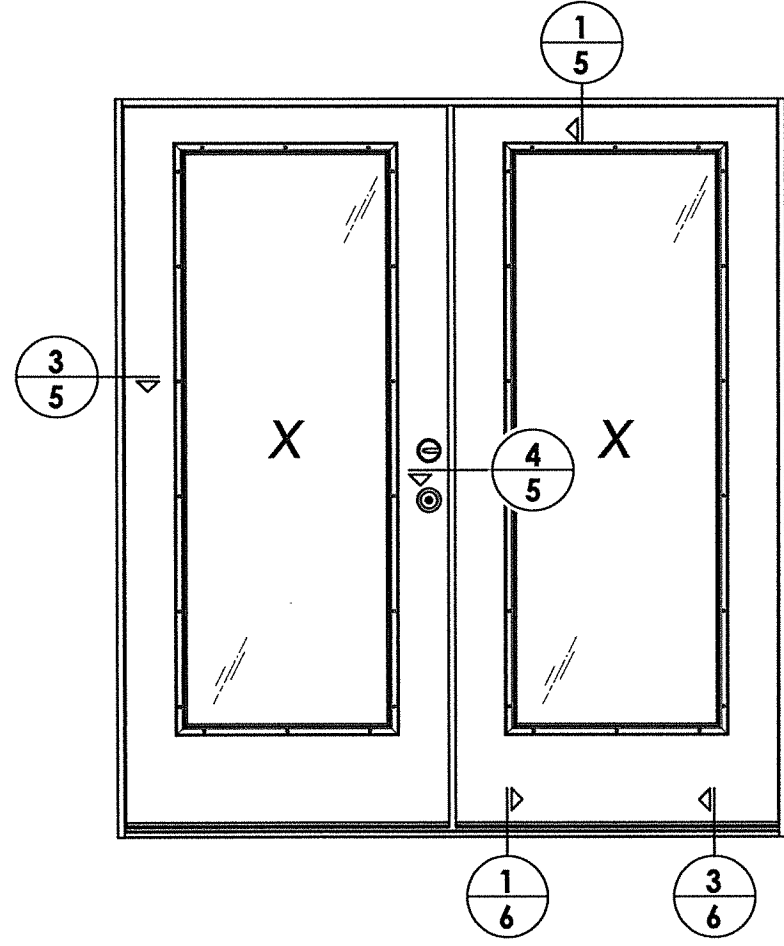
DWG. BY: JK

CHK. BY: LFS

DRAWING NO.: TX-4823

SHEET 3 OF 8

© 2016 R.W. BUILDING CONSULTANTS INC.



Documents Prepared By: Lyndon F. Schmidt, P.E.
 TEXAS P.E. #104123

RW BUILDING CONSULTANTS, INC.
 P.O. Box 230 Valrico FL 33595
 Phone No.: 813.659.9197

TEXAS BOARD OF PROFESSIONAL ENGINEERS
 CERTIFICATE OF REGISTRATION # F-11852

PRODUCT: SURE ROCK FIBERGLASS DOORS

PART OR ASSEMBLY: ELEVATIONS

NO.	DATE	DESCRIPTION	BY
1	9/23/21	UPDATE TO 2018 IBC/IRC CODE	LFS

DATE: 7/25/16

SCALE: N.T.S.

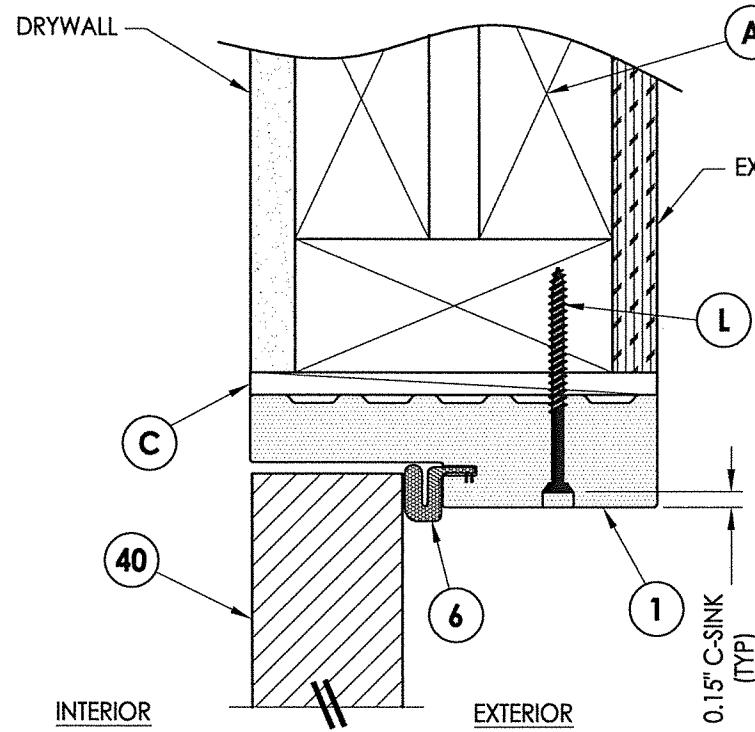
DWG. BY: JK

CHK. BY: LFS

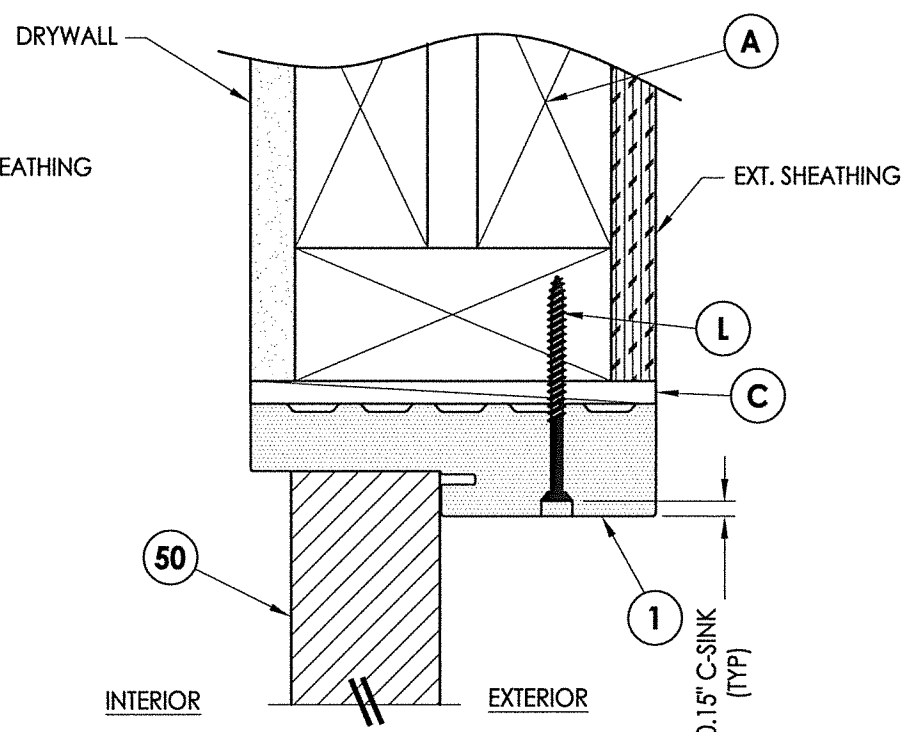
DRAWING NO.: TX-4823

SHEET 4 OF 8

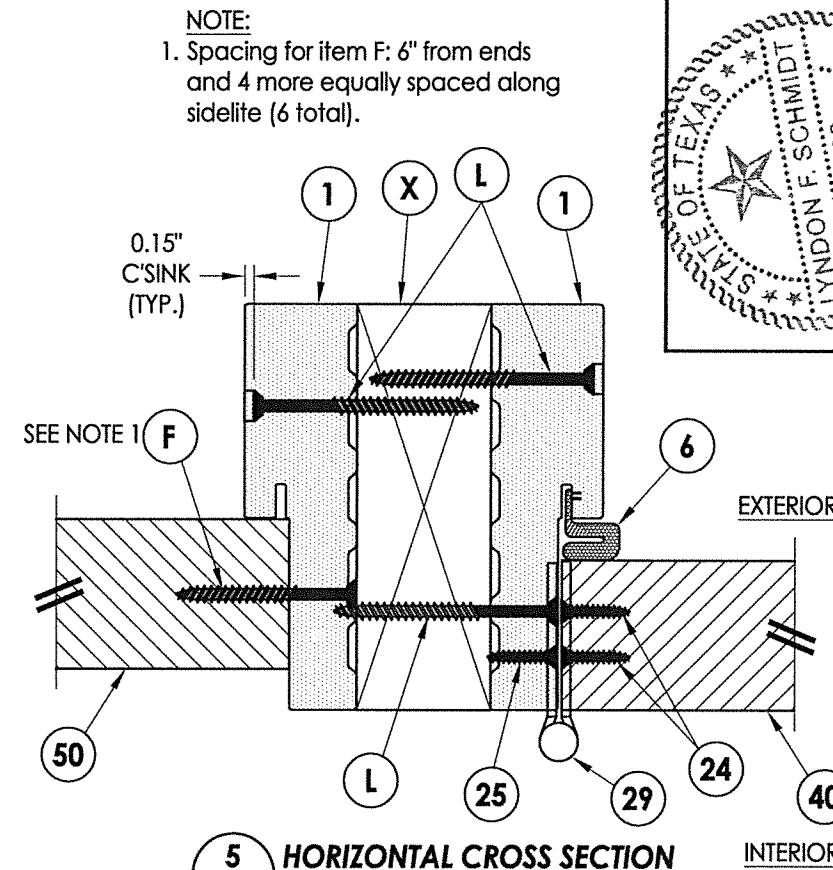
Z:\Clients\HM Sure Rock PERMANENT\B - Texas Dept of Ins\DR-836 - 6'8 Fiberglass Non-Impact Door - Glazed\C - Drawings\TX-4821-23.dwg



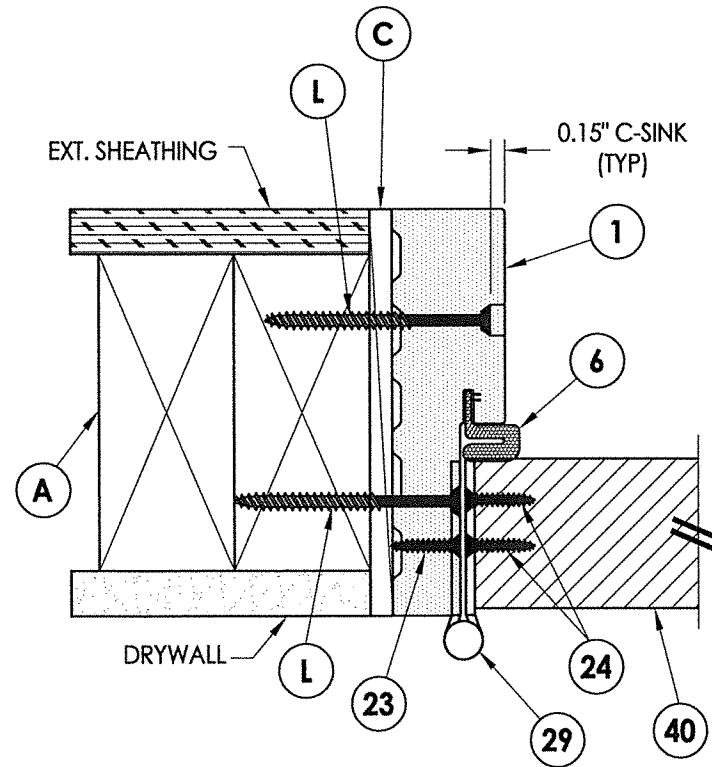
1 VERTICAL CROSS SECTION
5 Inswing shown (Outswing similar)



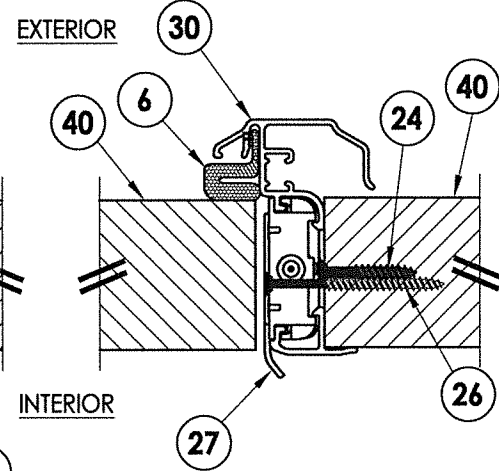
2 VERTICAL CROSS SECTION
5 Inswing shown (Outswing similar)



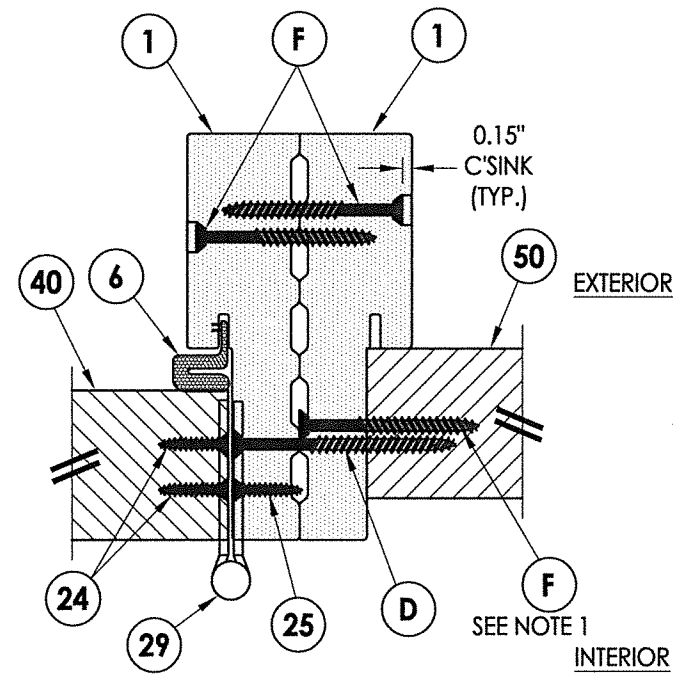
5 HORIZONTAL CROSS SECTION
5 Inswing shown (Outswing similar)
Shown w/ 2X Reinforcement
(1X Reinforcement Similar)



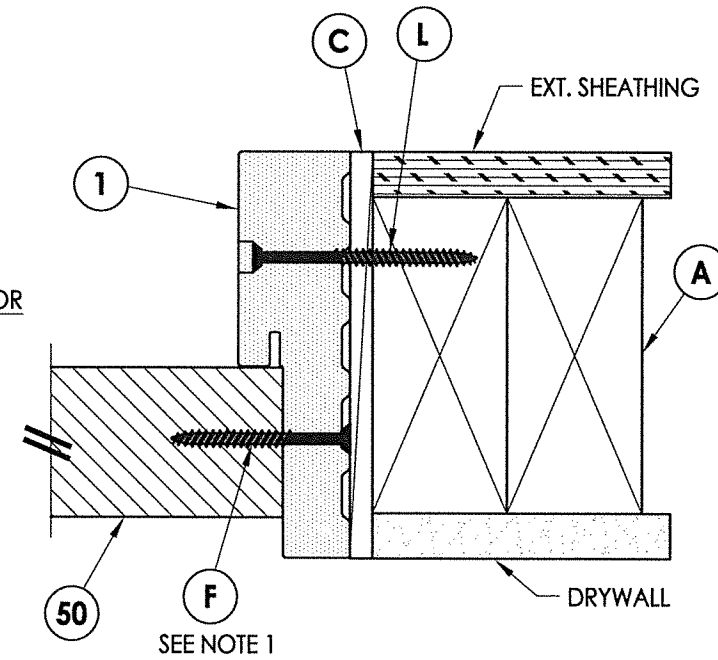
3 HORIZONTAL CROSS SECTION
5 Inswing shown (Outswing similar)



4 HORIZONTAL CROSS SECTION
5 Inswing shown (Outswing similar)

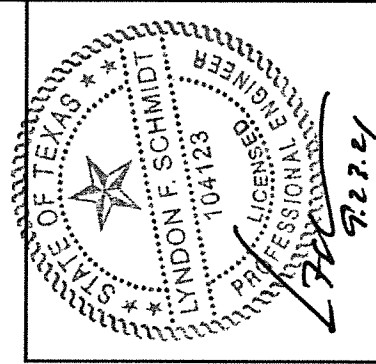


6 HORIZONTAL CROSS SECTION
5 Inswing shown (Outswing similar)
Shown w/ No Reinforcement



7 HORIZONTAL CROSS SECTION
5 Inswing shown (Outswing similar)

NOTE:
1. Spacing for item F: 6" from ends and 4 more equally spaced along sidelite (6 total).



Documents Prepared By: Lyndon F. Schmidt, P.E.
TEXAS P.E. #104123

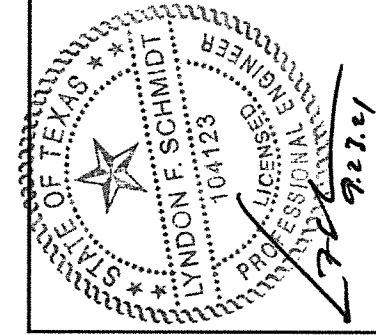
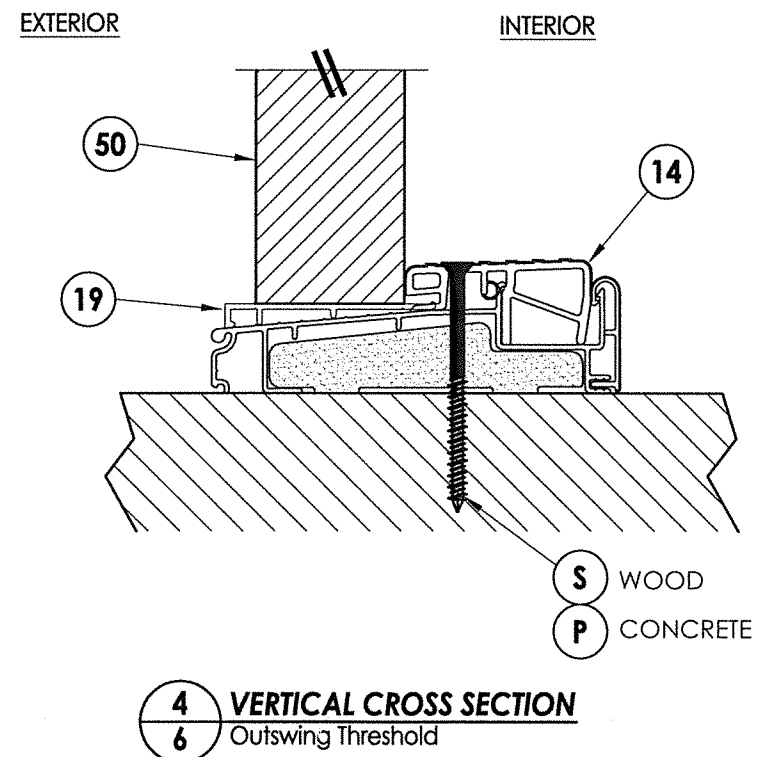
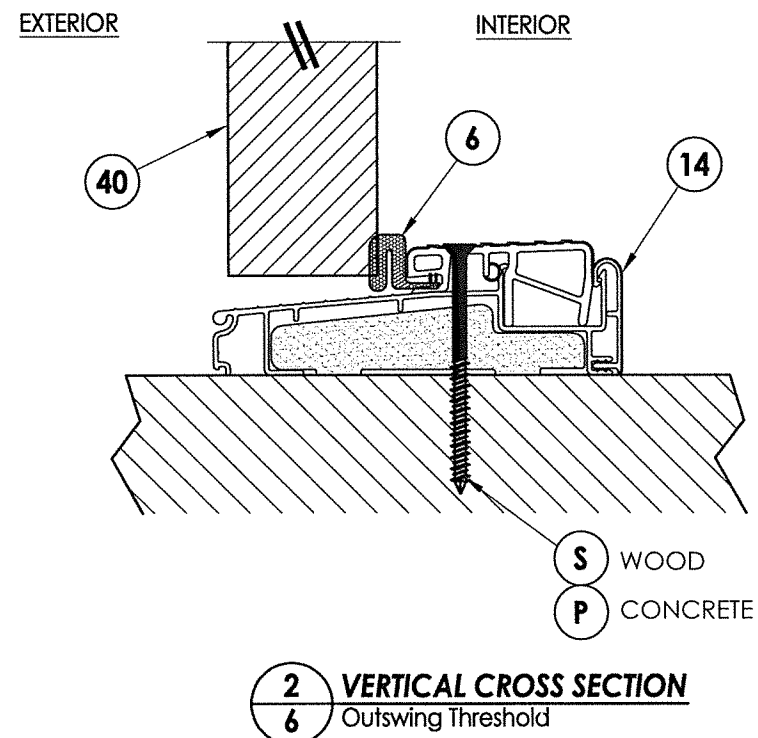
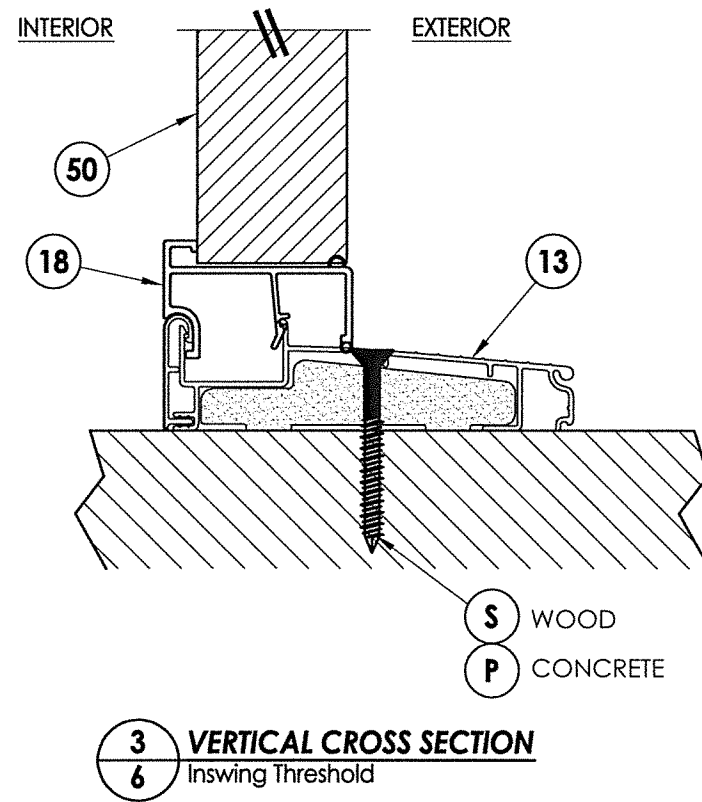
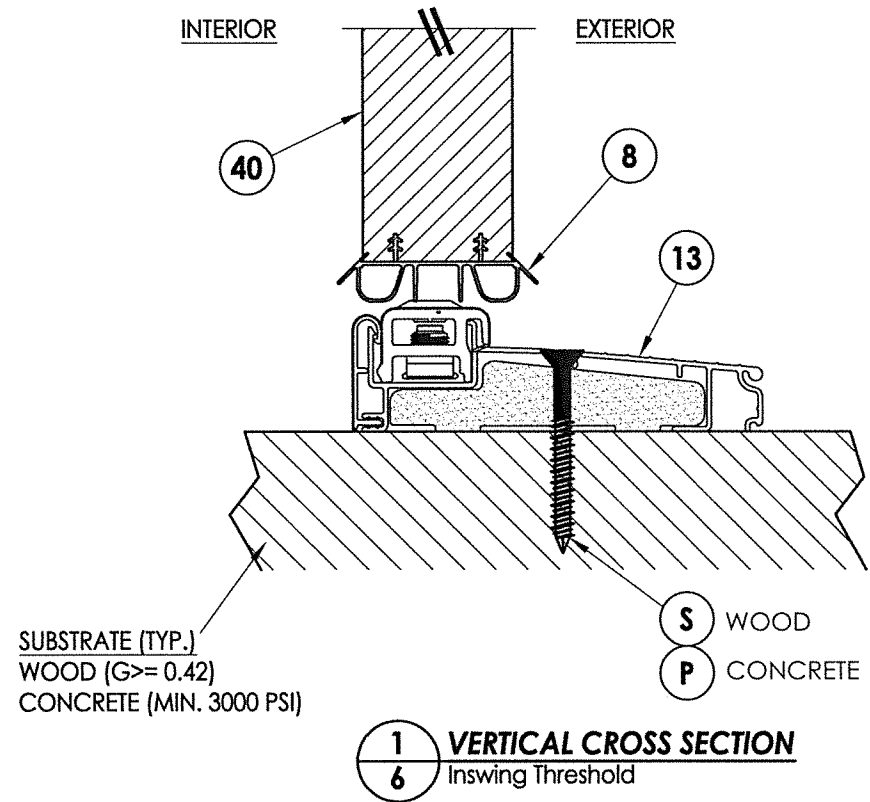
RW BUILDING CONSULTANTS, INC.
P.O. Box 230 Valrico FL 33595
Phone No.: 813.659.9197
TEXAS BOARD OF PROFESSIONAL ENGINEERS
CERTIFICATE OF REGISTRATION # F-11852

PRODUCT: SURE ROCK FIBERGLASS DOORS
PART OR ASSEMBLY: HORIZONTAL & VERTICAL CROSS SECTIONS

NO.	DATE	REVISIONS
1	9/23/21	UPDATE TO 2018 IBC/IRC CODE
		LFS
		BY

DATE: 7/25/16
SCALE: N.T.S.
DWG. BY: JK
CHK. BY: LFS
DRAWING NO.: TX-4823
SHEET 5 of 8

© 2016 R.W. BUILDING CONSULTANTS INC.

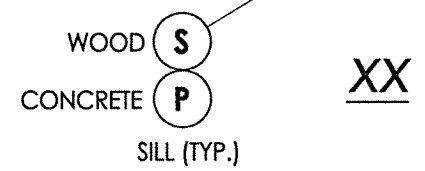
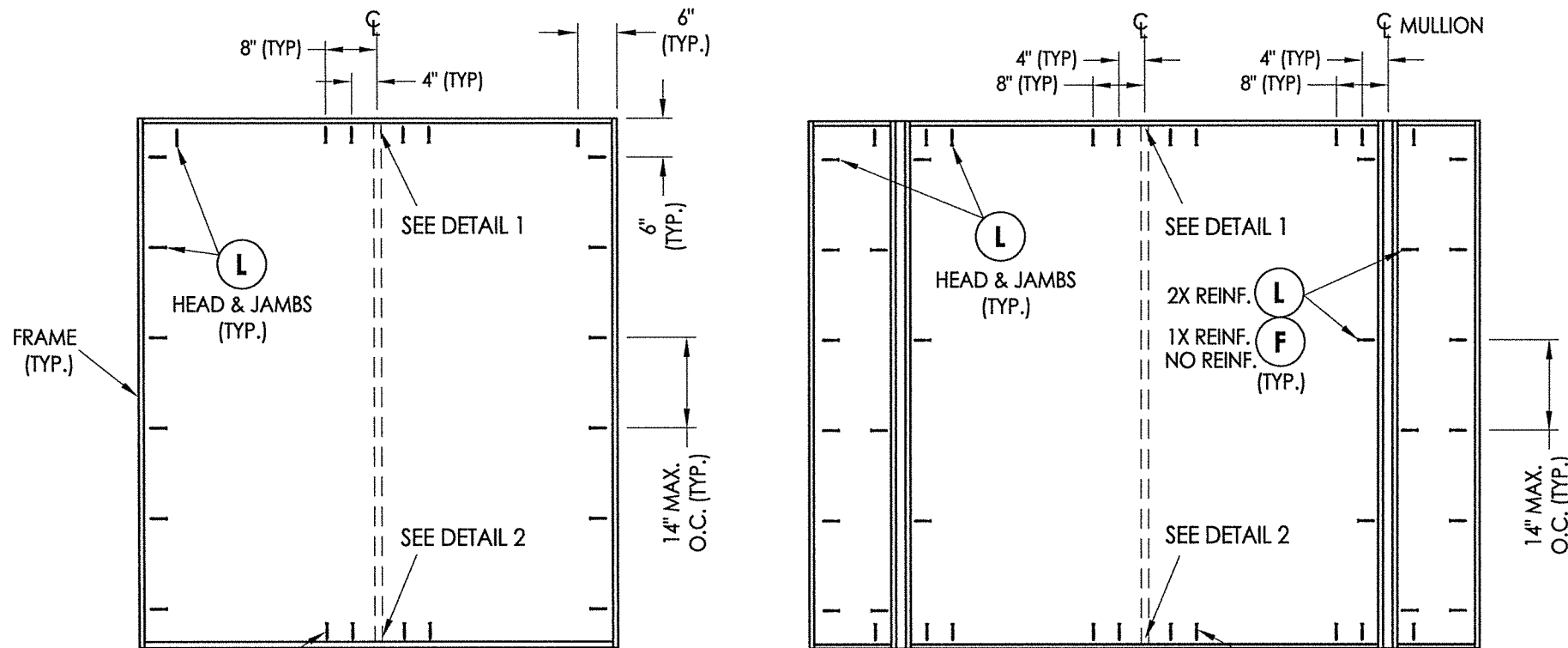


Documents Prepared By: Lyndon F. Schmidt, P.E.
TEXAS P.E. #104123

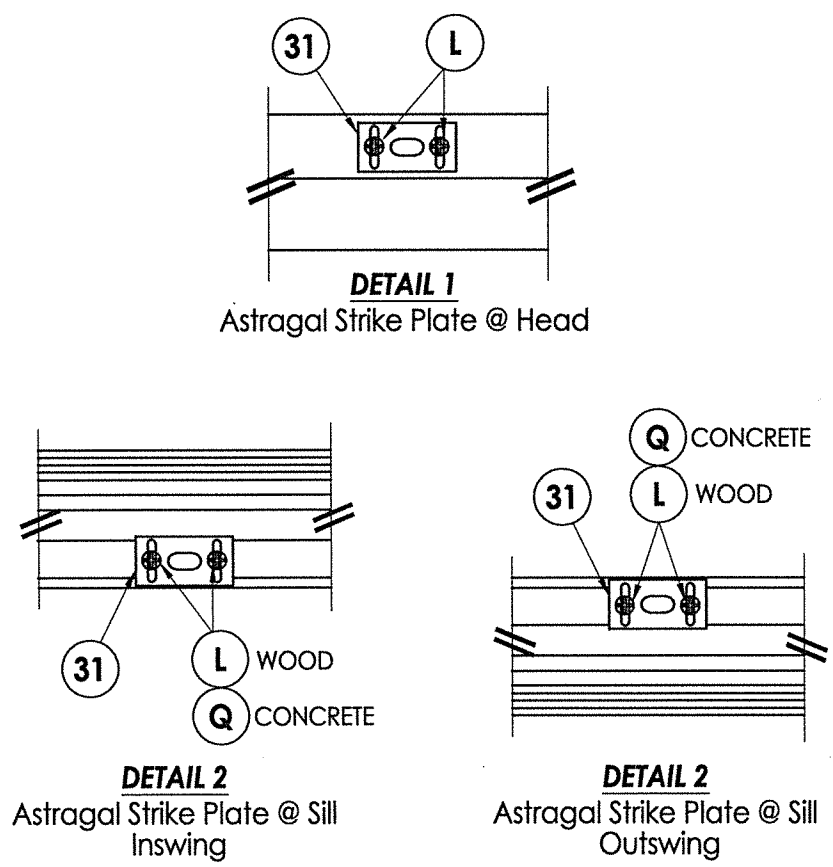
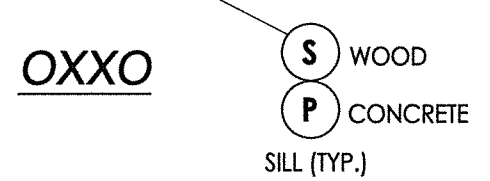
RW BUILDING CONSULTANTS, INC.
P.O. Box 230 Valrico FL 33595
Phone No.: 813.659.9197

TEXAS BOARD OF PROFESSIONAL ENGINEERS
CERTIFICATE OF REGISTRATION # F-11852

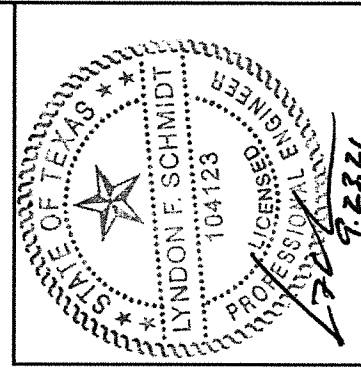
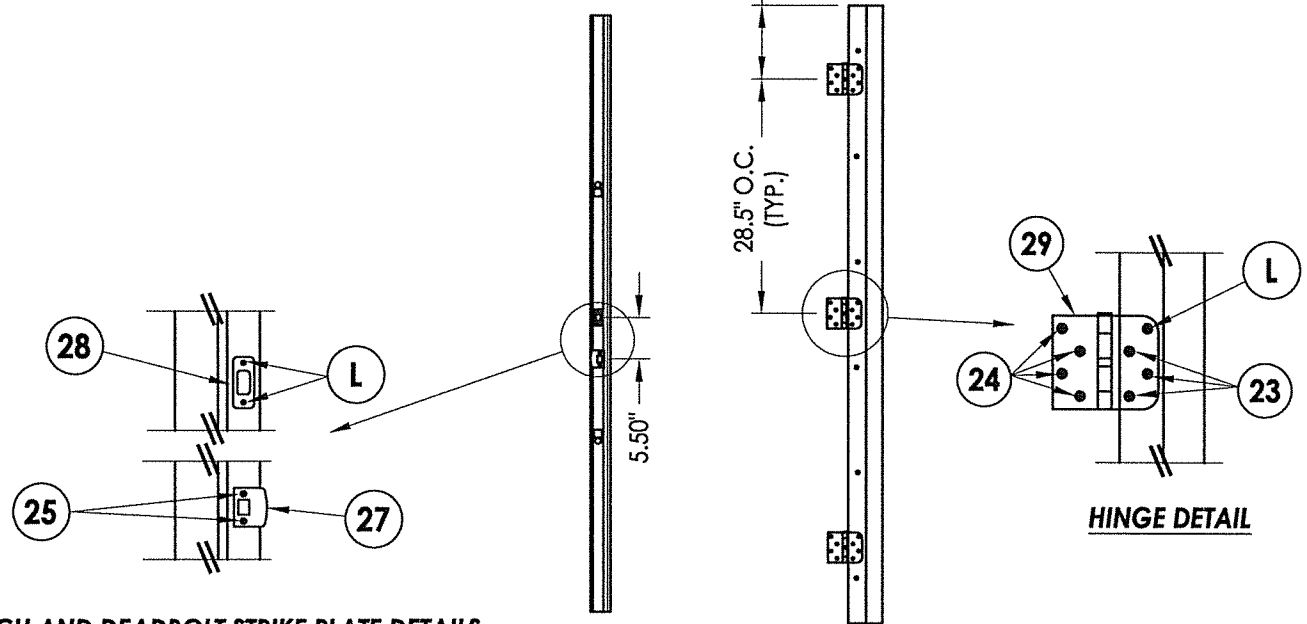
PRODUCT:		SURE ROCK FIBERGLASS DOORS	
PART OR ASSEMBLY:		VERTICAL CROSS SECTIONS	
NO.	DATE	DESCRIPTION	BY
1	9/23/21	UPDATE TO 2018 IBC/IRC CODE	LFS
			REVISIONS
DATE: 7/25/16			
SCALE: N.T.S.			
DWG. BY: JK			
CHK. BY: LFS			
DRAWING NO.: TX-4823			
SHEET 6 OF 8			



FRAME ANCHORING



LATCH AND DEADBOLT STRIKE PLATE DETAILS



Documents Prepared By: Lyndon F. Schmidt, P.E.
TEXAS P.E. #104123

RW BUILDING CONSULTANTS, INC.
P.O. Box 250 Valrico FL 33595
Phone No.: 813.659.9197

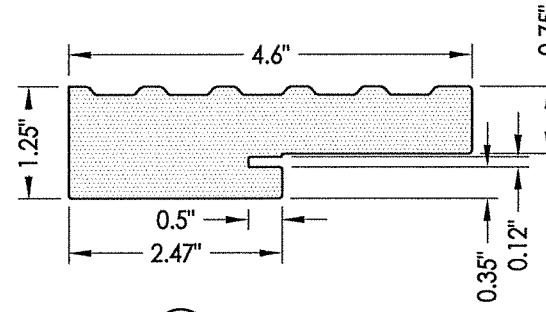
TEXAS BOARD OF PROFESSIONAL ENGINEERS
CERTIFICATE OF REGISTRATION # F-11852

PRODUCT:	SURE ROCK FIBERGLASS DOORS
PART OR ASSEMBLY:	FRAME ANCHORING

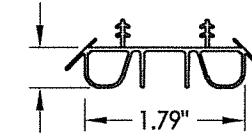
NO.	DATE	BY	REVISIONS
1	9/23/21	LFS	UPDATE TO 2018 IBC/IRC CODE

DATE:	7/25/16
SCALE:	N.T.S.
DWG. BY:	JK
CHK. BY:	LFS
DRAWING NO.:	TX-4823
SHEET	7 of 8

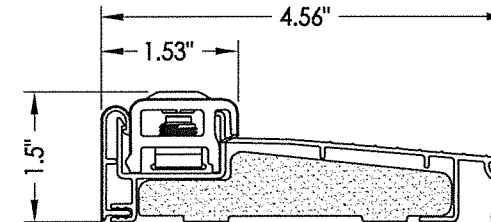
BILL OF MATERIALS		
ITEM #	DESCRIPTION	MATERIAL
A	2X FRAMING (G >= 0.42)	WOOD
C	1/4" MAX. SHIM SPACE	-
F	#10 X 2" PFH WOOD SCREW	STEEL
L	#10 X 2-1/2" PFH WOOD SCREW (1.15" MIN. EMBEDMENT)	STEEL
P	1/4" PFH CONCRETE SCREW (1-3/4" MIN. EMBEDMENT)	STEEL
Q	3/16" PFH CONCRETE SCREW (1-3/4" MIN. EMBEDMENT)	STEEL
S	#10 X 3" PFH WOOD SCREW (1-1/2" MIN. EMBEDMENT)	STEEL
X	1X OR 2X REINFORCEMENT (G >= 0.55)	WOOD
1	FRAME (SURE JAMB)	COMP
6	WEATHERSTRIP (Q-LON)	FOAM
8	SWEEP	VINYL
13	INSWING THRESHOLD	ALUM/COMP
14	OUTSWING THRESHOLD	ALUM/COMP
18	INSWING SIDELITE SPACER	PVC
19	OUTSWING SIDELITE SPACER	PVC
23	#10 x 3/4" PFH WOOD SCREW	STEEL
24	#10 x 1" PFH WOOD SCREW	STEEL
25	#8 x 2-1/2" PFH WOOD SCREW	STEEL
27	LATCH STRIKE PLATE	STEEL
28	DEADBOLT STRIKE PLATE	STEEL
29	4" X 4" HINGE	STEEL
30	ENDURA ULTIMATE HURRICANE ASTRAGAL	ALUM
31	ASTRAGAL SHOOTBOLT STRIKE PLATE	STEEL
40	DOOR PANEL	-



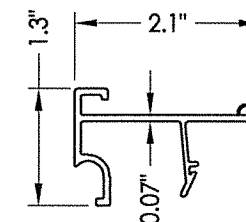
1 FRAME SURE JAMB



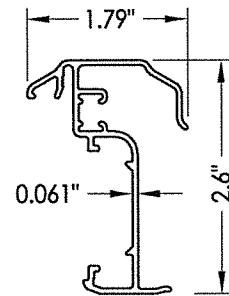
8 SWEEP



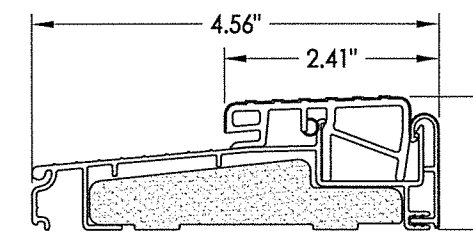
13 INSWING THRESHOLD ENDURA (Z-SERIES)



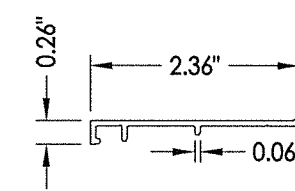
18 INSWING SIDELITE SPACER



30 ULTIMATE HURRICANE ASTRAGAL ENDURA



14 OUTSWING THRESHOLD ENDURA (Z-SERIES)

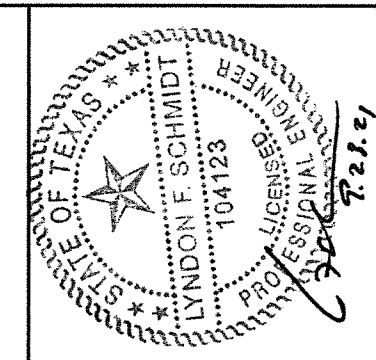


19 OUTSWING SIDELITE SPACER

CONCRETE ANCHOR NOTES:

- Concrete anchor locations at the corners may be adjusted to maintain the min. edge distance to mortar joints.
- Concrete anchor locations noted as "MAX. ON CENTER" must be adjusted to maintain the min. edge distance to mortar joints, additional concrete anchors may be required to ensure the "MAX. ON CENTER" dimension are not exceeded.
- Concrete anchor table:

ANCHOR TYPE	ANCHOR SIZE	MIN. EMBEDMENT	MIN. CLEARANCE TO MASONRY EDGE	MIN. CLEARANCE TO ADJACENT ANCHOR
ITW TAPCON®	1/4"	1-3/4"	2"	4"
DeWALT ULTRACON®	1/4"	1-3/4"	1"	4"



Documents Prepared By: Lyndon F. Schmidt, P.E.
TEXAS P.E. #104123

RW BUILDING CONSULTANTS, INC.
P.O. Box 230 Valrico FL 33595
Phone No.: 813.659.9197

TEXAS BOARD OF PROFESSIONAL ENGINEERS
CERTIFICATE OF REGISTRATION # F-11852

PRODUCT: SURE ROCK FIBERGLASS DOORS

PART OR ASSEMBLY: BILL OF MATERIALS & COMPONENTS

NO.	DATE	DESCRIPTION
1	9/23/21	UPDATE TO 2018 IBC/IRC CODE

DATE: 7/25/16

SCALE: N.T.S.

DWG. BY: JK

CHK. BY: LFS

DRAWING NO.: TX-4823

SHEET 8 OF 8