



# SURE ROCK GLAZED FIBERGLASS ENTRY DOORS

## INSWING / OUTSWING "NON-IMPACT"

EVALUATED FOR USE IN THE STATE OF TEXAS

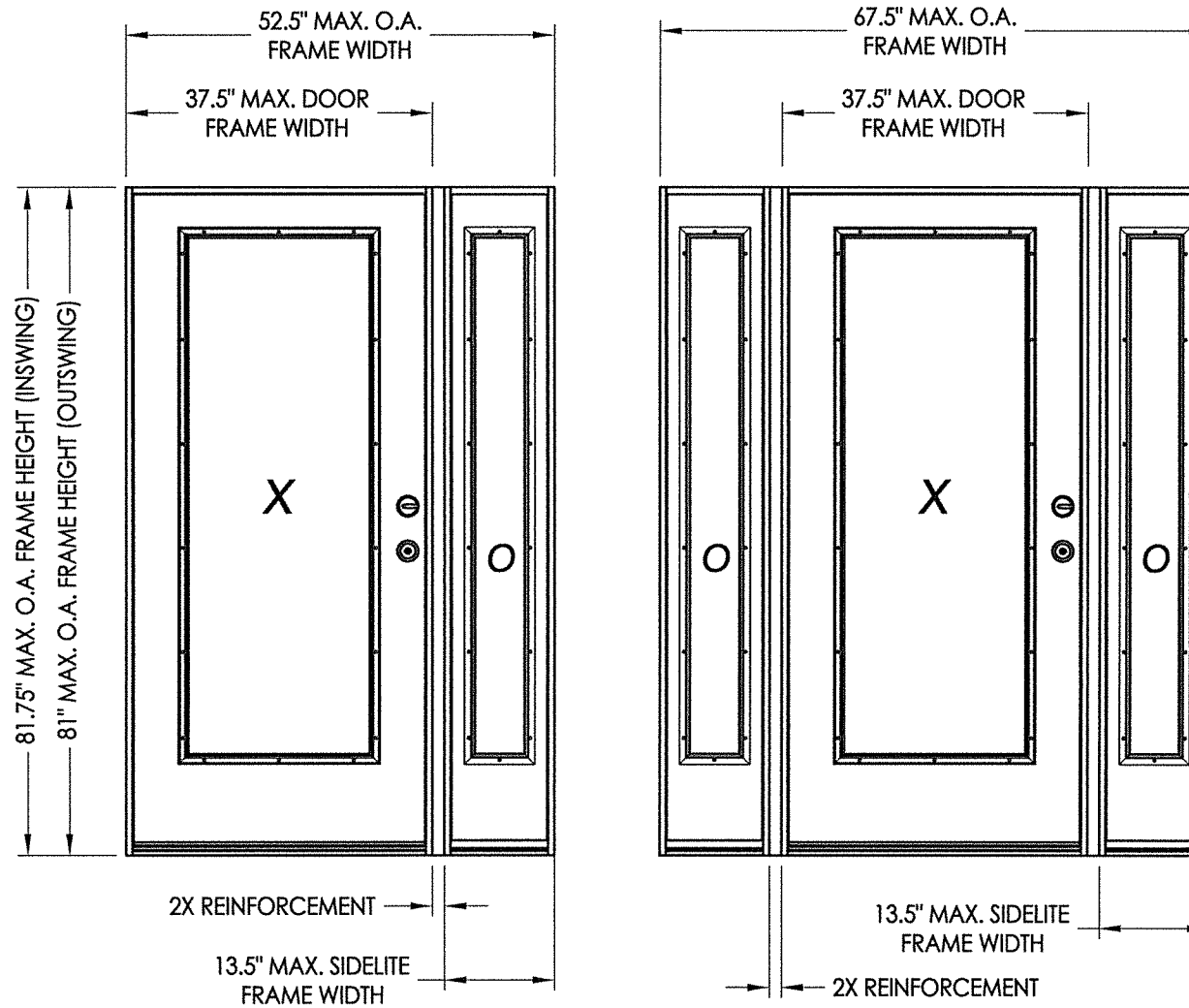
**TDI DR-836**

The Fiberglass Door system described herein complies with the 2018 International Residential Code (IRC), Sections R301 & R609 and the 2018 International Building Code (IBC), Sections 1404.13, 1609, 1709.5, 2403 and 2404 subject to the following conditions:

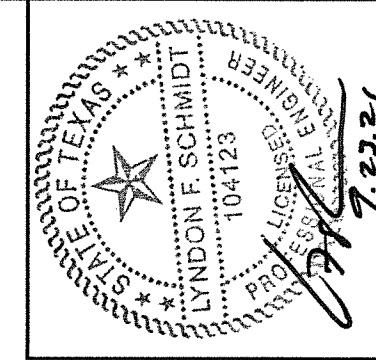
1. Anchors shall be as listed and spaced as shown in the details. Anchor embedment to base material shall be beyond wall dressing or stucco.
2. When used in areas requiring wind-borne debris protection this product is required to be protected with an impact resistant covering that complies with Section R301.2.1.2 of the IRC and Section 1609.1.2 of the IBC.
3. Allowable design pressure requirements must be equal to or less than the design pressure rating shown in the design pressure chart, sheet 1 of this drawing.
4. Conditions not covered by this drawing are subject to further engineering analysis.

### TABLE OF CONTENTS

SHEET #	DESCRIPTION
1	Typical Elevations, Design Pressures & General Notes
2	Door Panel Details
3	Sidelite Panel Details
4	Elevations
5	Horizontal & Vertical Cross Sections
6	Vertical Cross Sections
7	Frame Anchoring
8	Bill of Materials & Components



CONFIGURATION	MAX. FRAME DIMENSION	REINFORCEMENT	DESIGN PRESSURE (PSF) INSWING		DESIGN PRESSURE (PSF) OUTSWING	
			POSITIVE	NEGATIVE	POSITIVE	NEGATIVE
XO/OX	52.5" x 81.75"	2X	+45.0	-45.0	+45.0	-45.0
OXO	67.5" x 81.75"	2X	+45.0	-45.0	+45.0	-45.0



Documents Prepared By: Lyndon F. Schmidt, P.E.  
TEXAS P.E. #104123

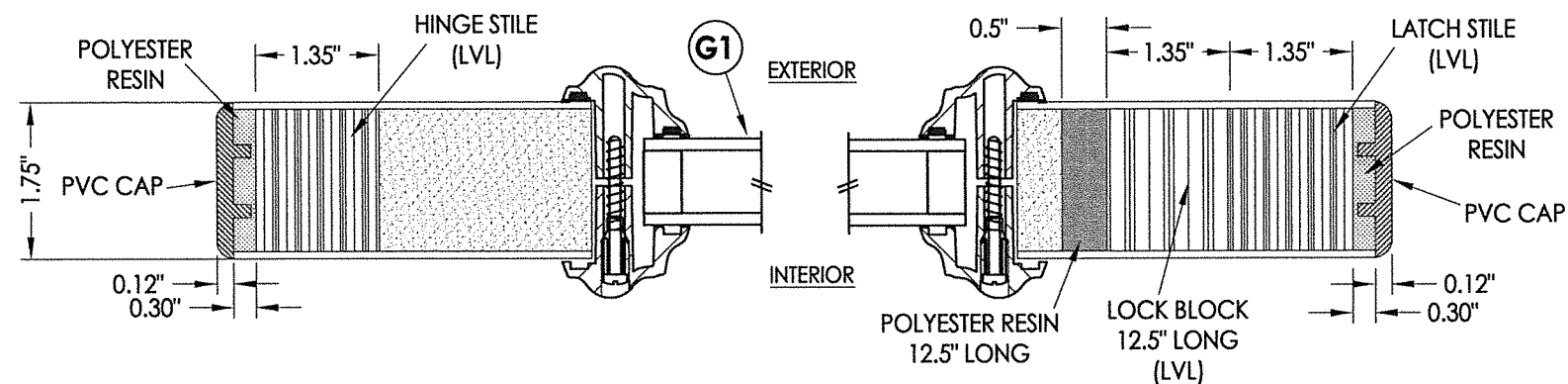
**RW** BUILDING CONSULTANTS, INC.  
P.O. Box 230 Valrico FL 33595  
Phone No.: 813.659.9197  
TEXAS BOARD OF PROFESSIONAL ENGINEERS  
CERTIFICATE OF REGISTRATION # F-11852

PRODUCT: SURE ROCK FIBERGLASS DOORS  
PART OR ASSEMBLY: TYPICAL ELEVATION, DESIGN PRESSURES & GENERAL NOTES

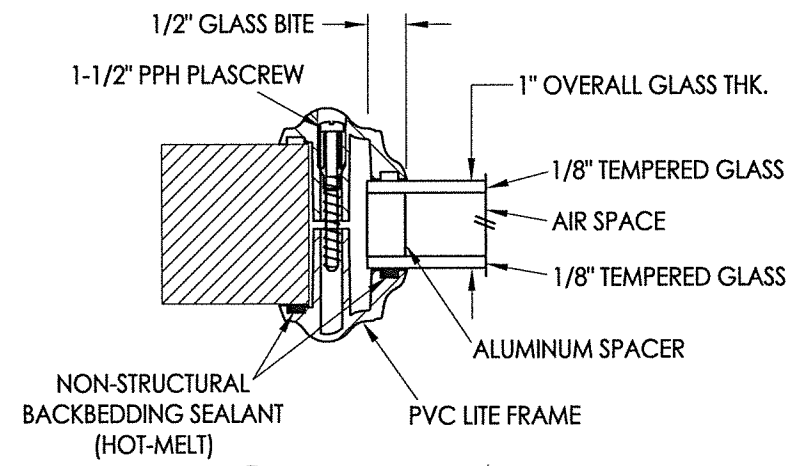
NO.	DATE	DESCRIPTION
1	9/23/21	UPDATE TO 2018 IBC/IRC CODE

DATE: 7/25/16  
SCALE: N.T.S.  
DWG. BY: JK  
CHK. BY: LFS  
DRAWING NO.: TX-4822  
SHEET 1 OF 8

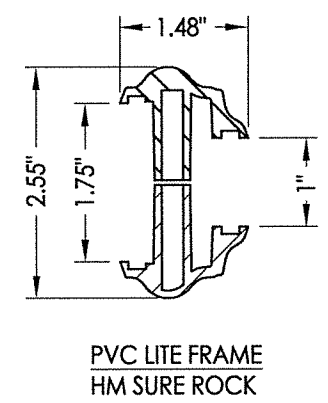
Z:\Clients\HM Sure Rock PERMANENT\B - Texas Dept of Ins\DR-836 - 6'8 Fiberglass Non-Impact Door - Glazed\C - Drawings\TX-4821-23.dwg



**1** HORIZONTAL CROSS SECTION  
**2**

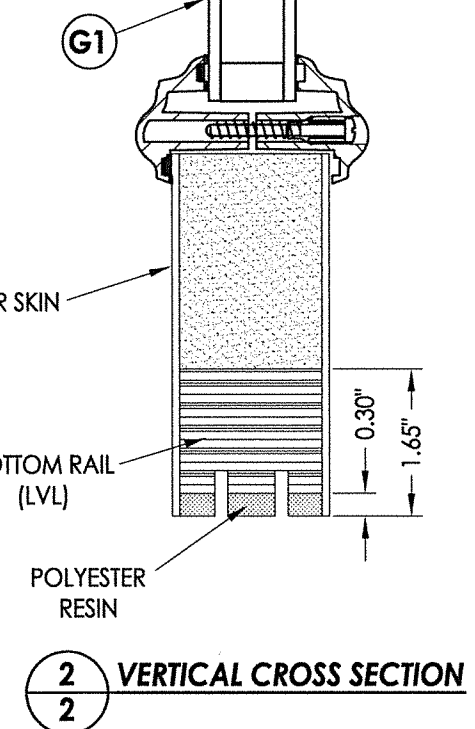
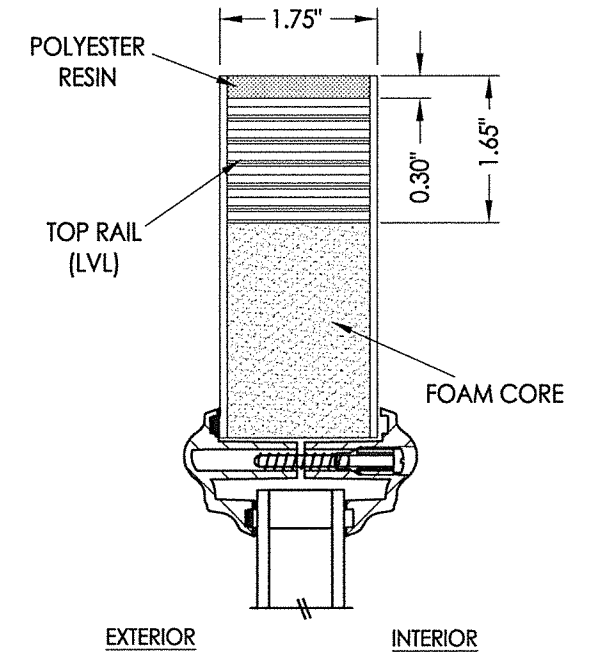


**G1** GLAZING DETAIL

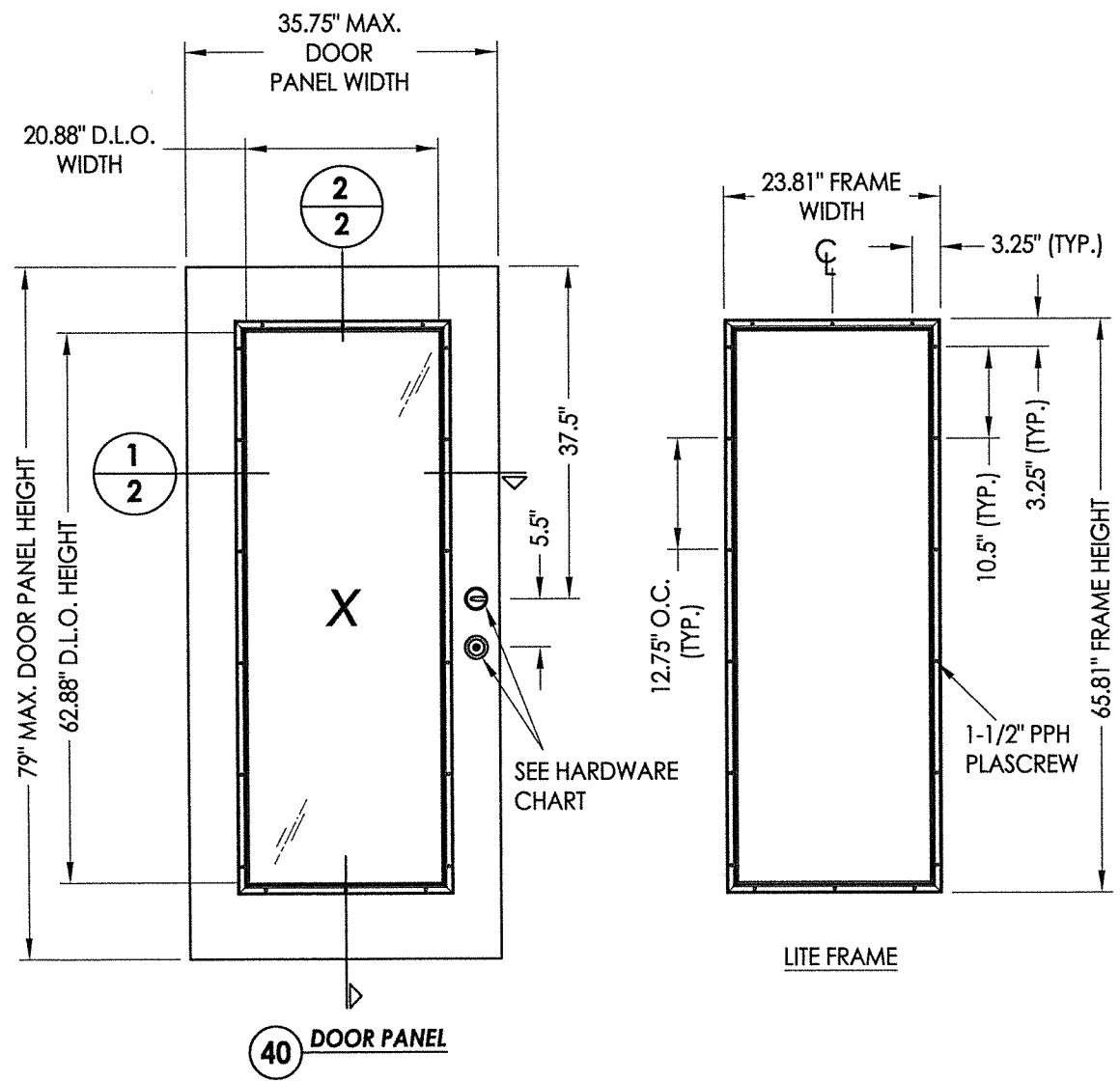


PVC LITE FRAME  
HM SURE ROCK

HARDWARE TABLE	
MANUFACTURER	MODEL
KWIKSET	KNOB: Signature Series
	DEADBOLT: Signature Series (980)
SCHLAGE	KNOB: F Series (F51)
	DEADBOLT: B Series (B60N)

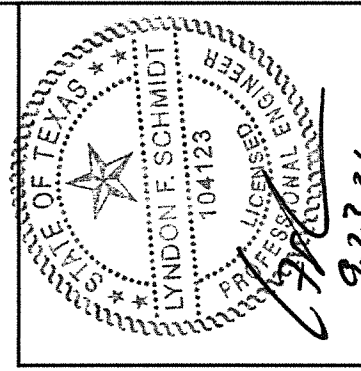


**2** VERTICAL CROSS SECTION  
**2**



**40** DOOR PANEL

FIBERGLASS DOOR SKIN: MIN. 0.080\"/>

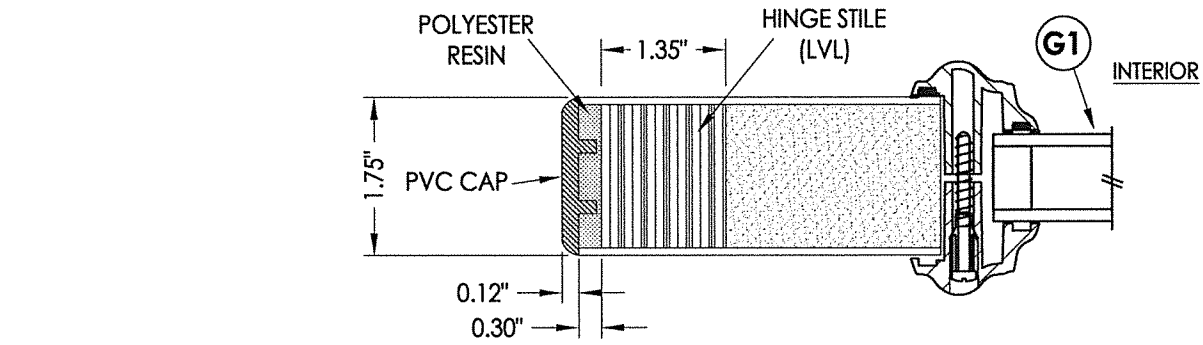


Documents Prepared By: Lyndon F. Schmidt, P.E.  
TEXAS P.E. #104123  
9.23.21

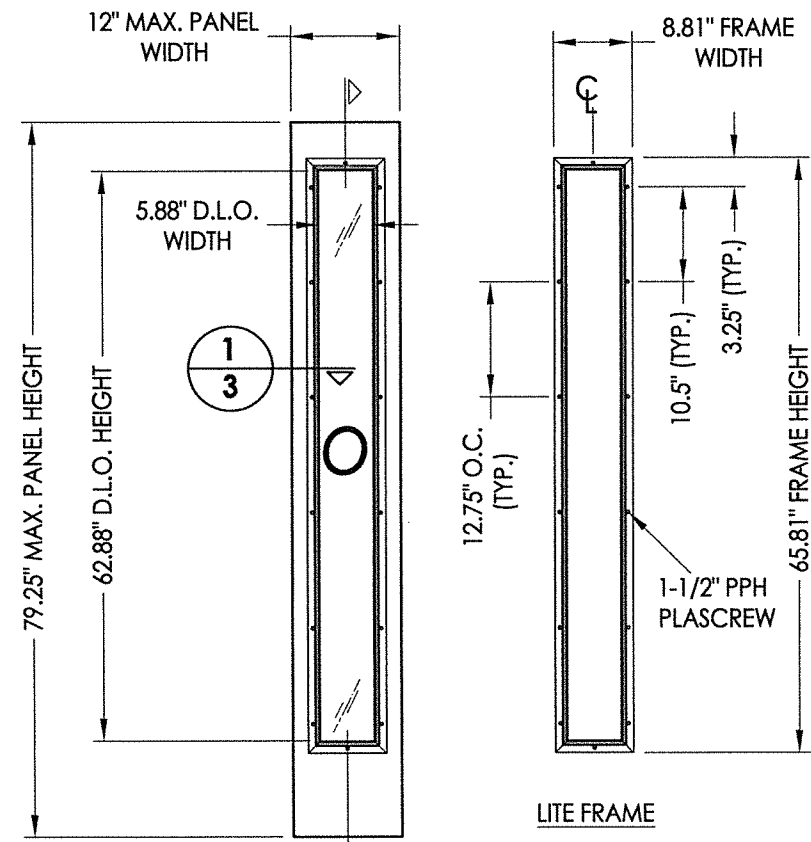
RW BUILDING CONSULTANTS, INC.  
P.O. Box 230 Valrico FL 33595  
Phone No.: 813.689.9197  
TEXAS BOARD OF PROFESSIONAL ENGINEERS  
CERTIFICATE OF REGISTRATION # F-11852

PRODUCT:	SURE ROCK FIBERGLASS DOORS		
PART OR ASSEMBLY:	DOOR PANEL DETAILS		
DATE:	7/25/16		
SCALE:	N.T.S.		
DWG. BY:	JK		
CHK. BY:	LFS		
DRAWING NO.:	TX-4822		
SHEET	2 OF 8		
NO.	DATE	DESCRIPTION	BY
1	9/23/21	UPDATE TO 2018 IBC/IRC CODE	LFS

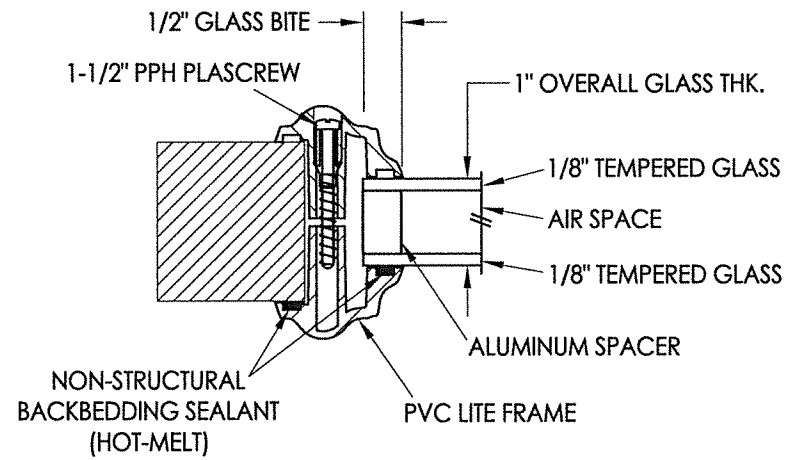
© 2016 R.W. BUILDING CONSULTANTS INC.



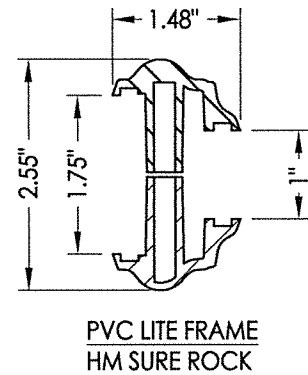
**1**  
**3** HORIZONTAL CROSS SECTION



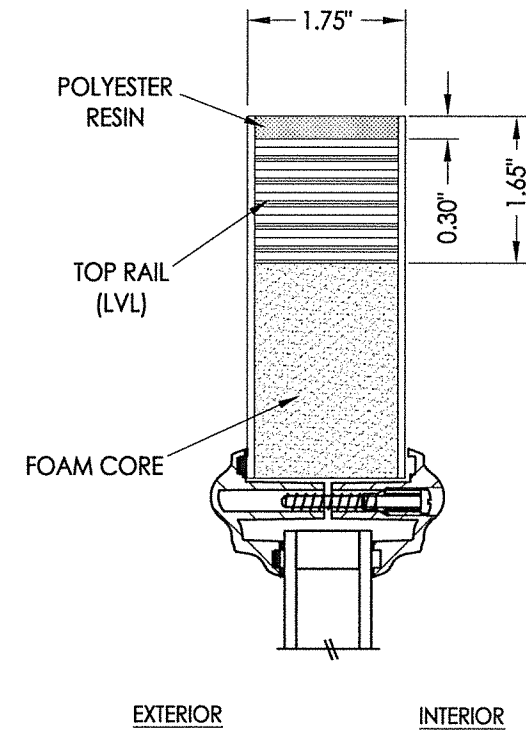
**40** SIDELITE PANEL



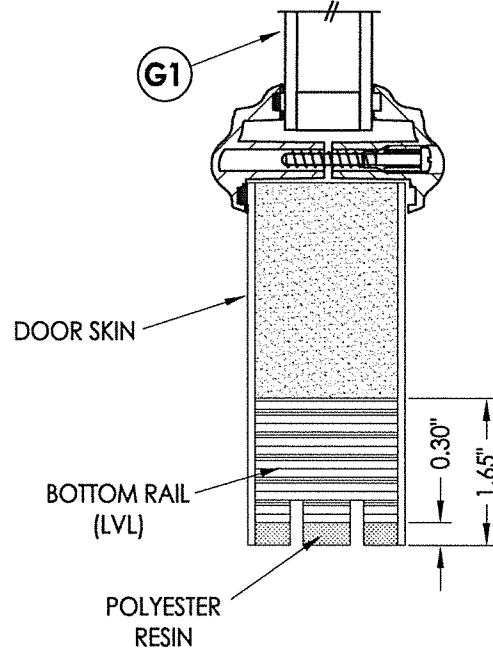
**G1** GLAZING DETAIL



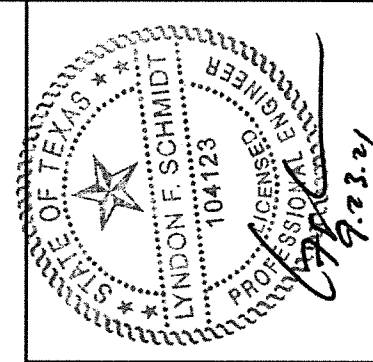
PVC LITE FRAME  
HM SURE ROCK



**2**  
**3** VERTICAL CROSS SECTION



FIBERGLASS SIDELITE SKIN: MIN. 0.070" THK.  
CORE MATERIAL: POLYURETHANE FOAM (1.9 PCF MIN.)



Documents Prepared By: Lyndon F. Schmidt, P.E.  
TEXAS P.E. #104123

**RW** BUILDING CONSULTANTS, INC.  
P.O. Box 230 Vairico FL 33595  
Phone No.: 813.659.9197

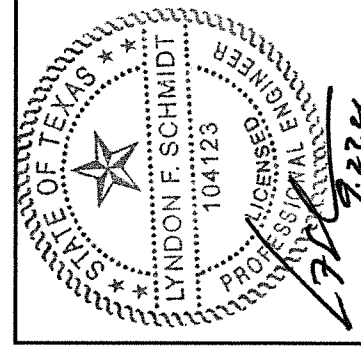
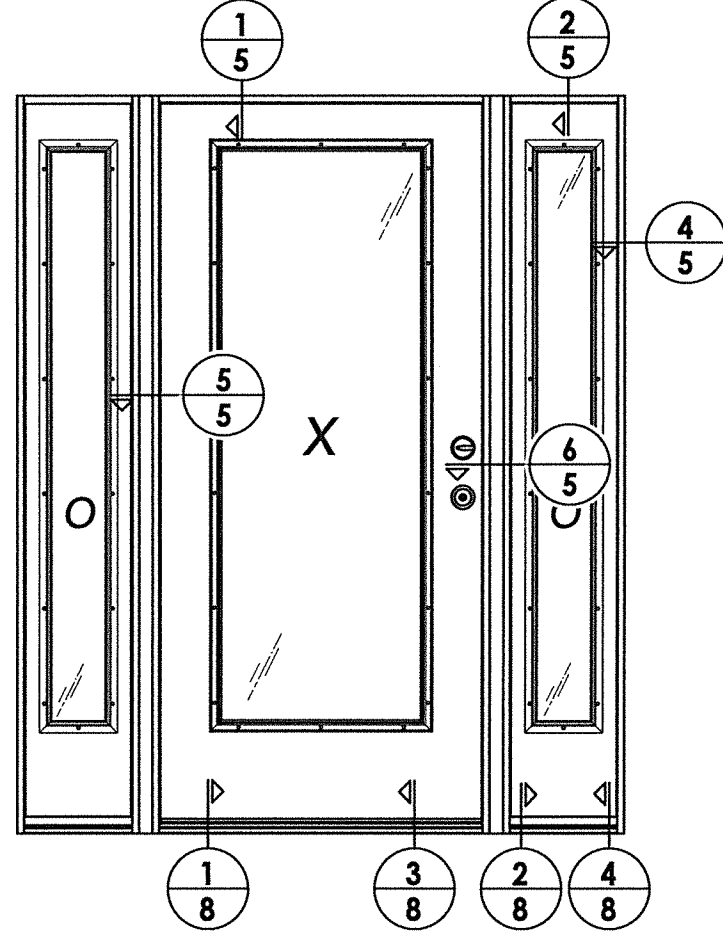
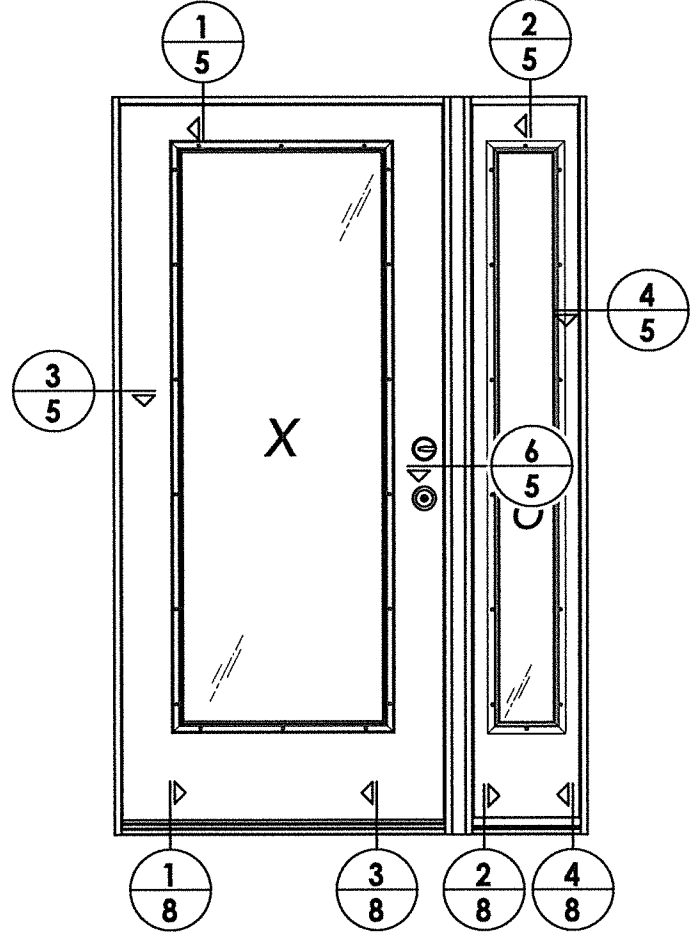
TEXAS BOARD OF PROFESSIONAL ENGINEERS  
CERTIFICATE OF REGISTRATION # F-11852

PRODUCT: SURE ROCK FIBERGLASS DOORS

PART OR ASSEMBLY: SIDELITE PANEL DETAILS

NO.	DATE	DESCRIPTION	BY
1	9/23/21	UPDATE TO 2018 IBC/IRC CODE	LFS

DATE: 7/25/16  
SCALE: N.T.S.  
DWG. BY: JK  
CHK. BY: LFS  
DRAWING NO.: TX-4822  
SHEET 3 OF 8



Documents Prepared By: Lyndon F. Schmidt, P.E.  
 TEXAS P.E. #104123

*RW* BUILDING CONSULTANTS, INC.  
 P.O. Box 230 Valrico FL 33595  
 Phone No.: 813.659.9197

TEXAS BOARD OF PROFESSIONAL ENGINEERS  
 CERTIFICATE OF REGISTRATION # F-11852

PRODUCT: SURE ROCK FIBERGLASS DOORS

PART OR ASSEMBLY: ELEVATIONS

NO.	DATE	DESCRIPTION	BY
1	9/23/21	UPDATE TO 2018 IBC/IRC CODE	LFS

DATE: 7/25/16

SCALE: N.T.S.

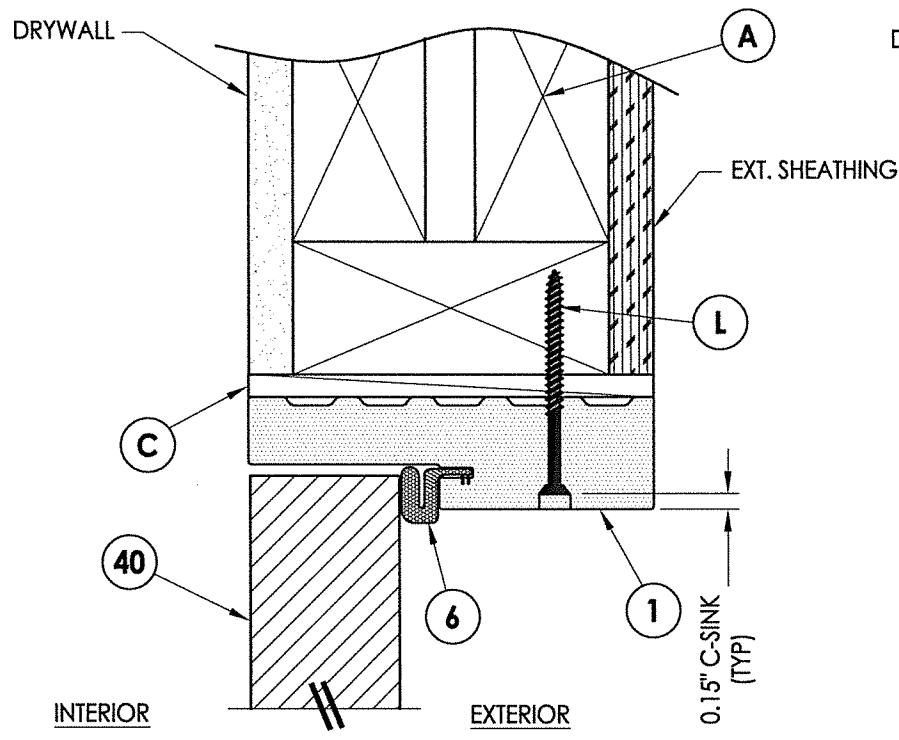
DWG. BY: JK

CHK. BY: LFS

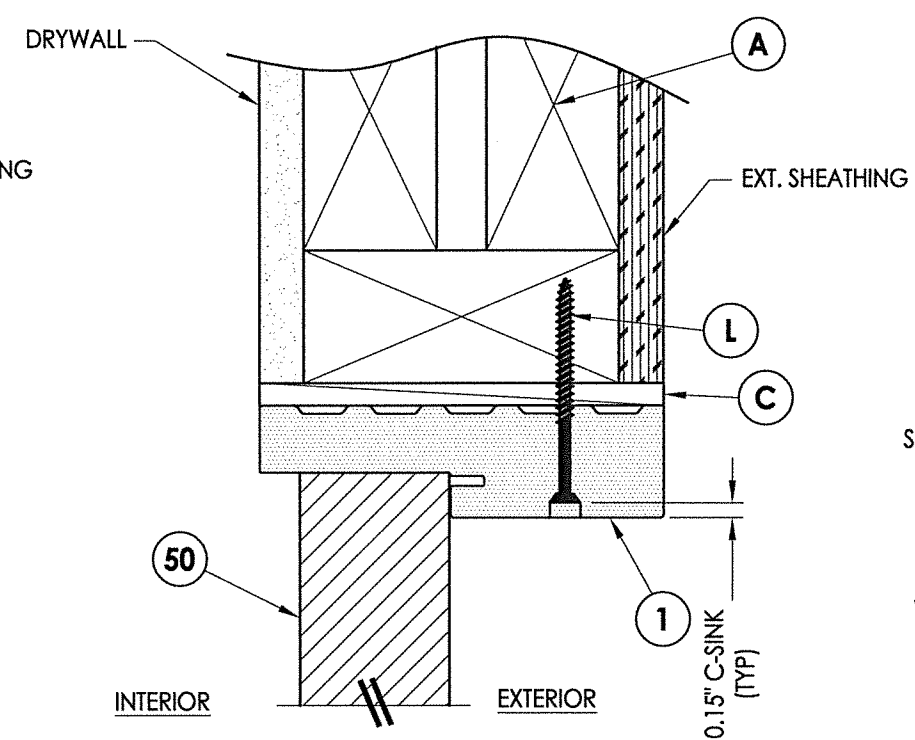
DRAWING NO.: TX-4822

SHEET 4 OF 8

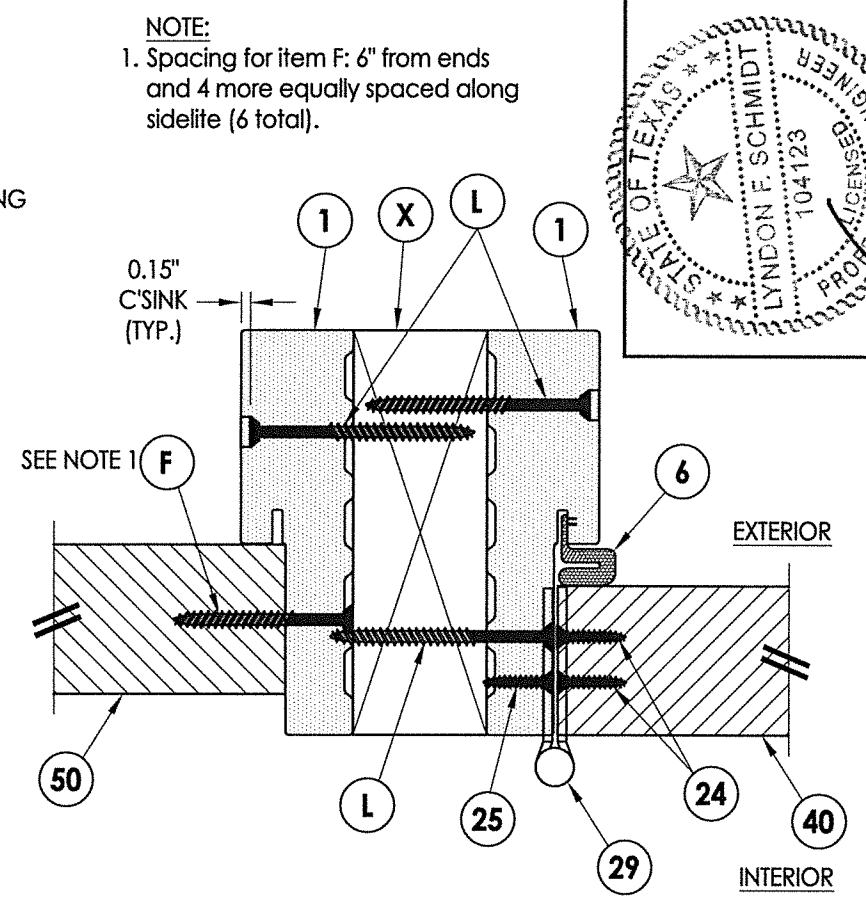
Z:\Clients\HM Sure Rock PERMANENT\B - Texas Dept of Ins\DR-836 - 6'8 Fiberglass Non-Impact Door - Glazed\C - Drawings\TX-4821-23.dwg



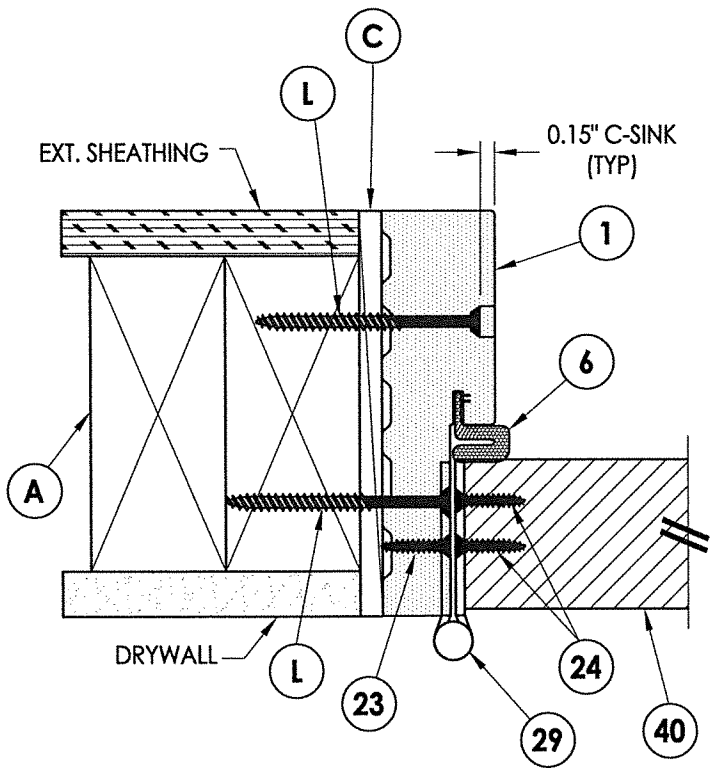
**1**  
**5** **VERTICAL CROSS SECTION**  
Inswing shown (Outswing similar)



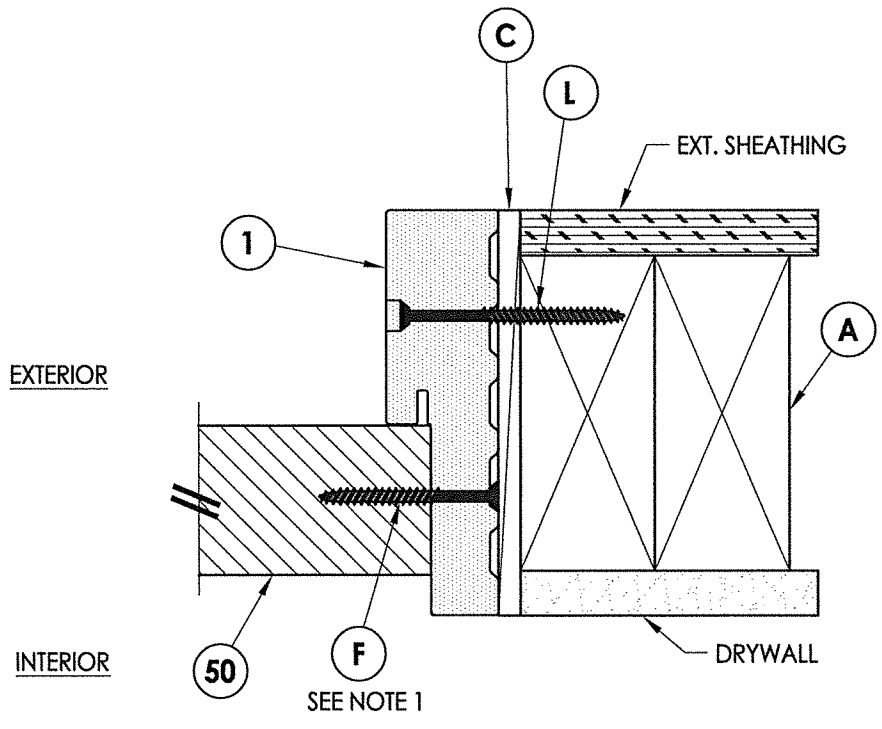
**2**  
**5** **VERTICAL CROSS SECTION**  
Inswing shown (Outswing similar)



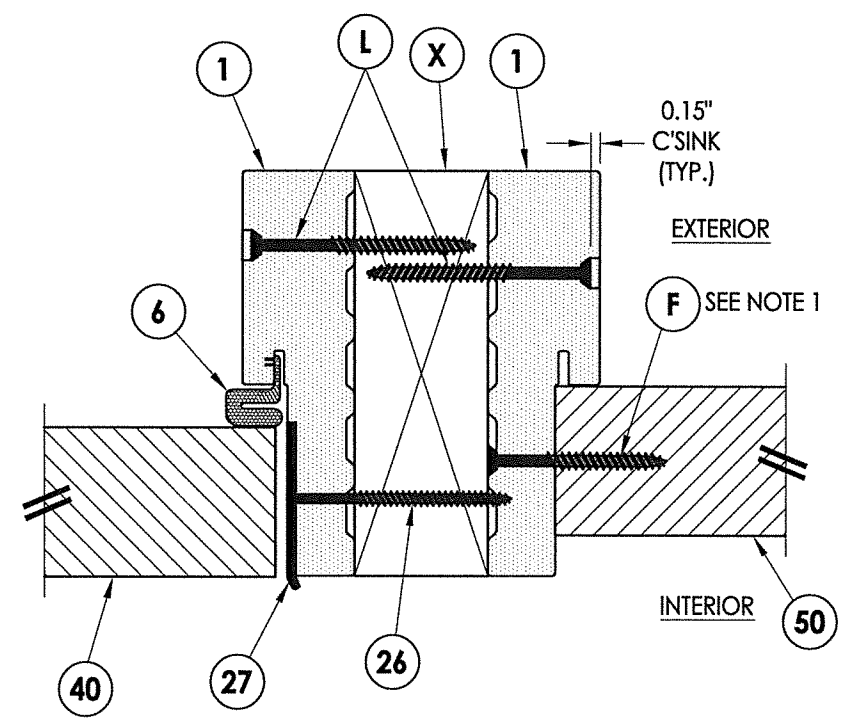
**5**  
**5** **HORIZONTAL CROSS SECTION**  
Inswing shown (Outswing similar)



**3**  
**5** **HORIZONTAL CROSS SECTION**  
Inswing shown (Outswing similar)

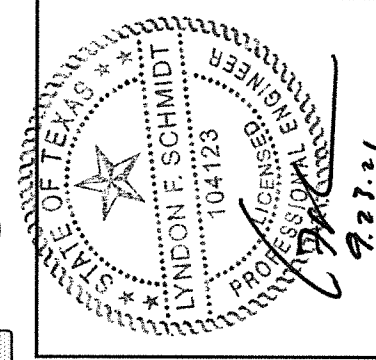


**4**  
**5** **HORIZONTAL CROSS SECTION**  
Inswing shown (Outswing similar)



**6**  
**5** **HORIZONTAL CROSS SECTION**  
Inswing shown (Outswing similar)

NOTE:  
1. Spacing for item F: 6" from ends and 4 more equally spaced along sidelite (6 total).



Documents Prepared By: Lyndon F. Schmidt, P.E.  
TEXAS P.E. #104123

**RW** BUILDING CONSULTANTS, INC.  
P.O. Box 230 Valrico FL 33595  
Phone No.: 813.659.9197

TEXAS BOARD OF PROFESSIONAL ENGINEERS  
CERTIFICATE OF REGISTRATION # F-11852

PRODUCT: SURE ROCK FIBERGLASS DOORS

PART OR ASSEMBLY: HORIZONTAL & VERTICAL CROSS SECTIONS

NO.	DATE	DESCRIPTION	BY
1	9/23/21	UPDATE TO 2018 IBC/IRC CODE	LFS

DATE: 7/25/16

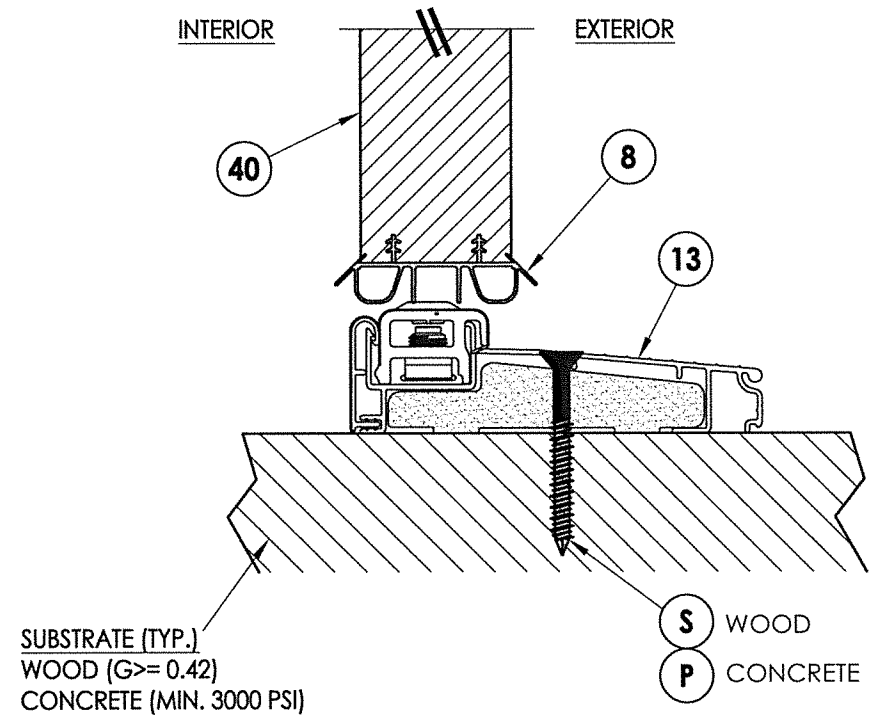
SCALE: N.T.S.

DWG. BY: JK

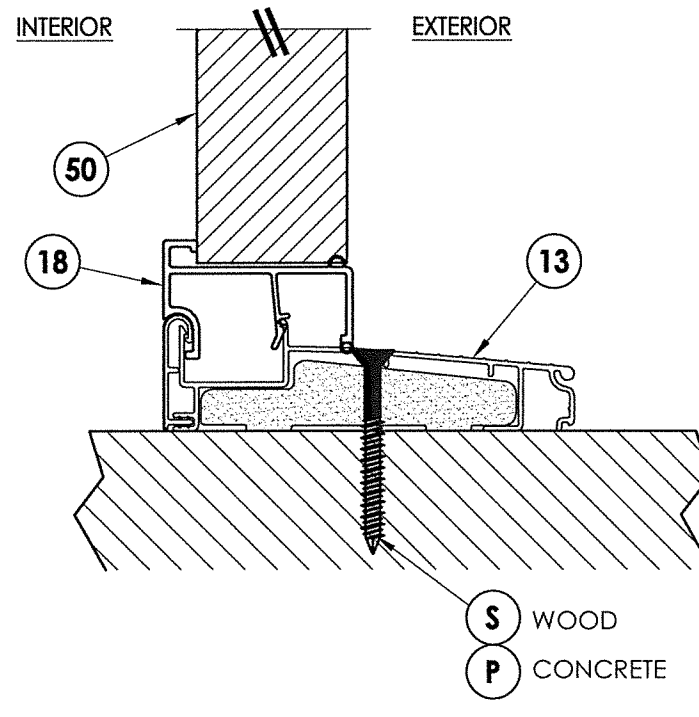
CHK. BY: LFS

DRAWING NO.: TX-4822

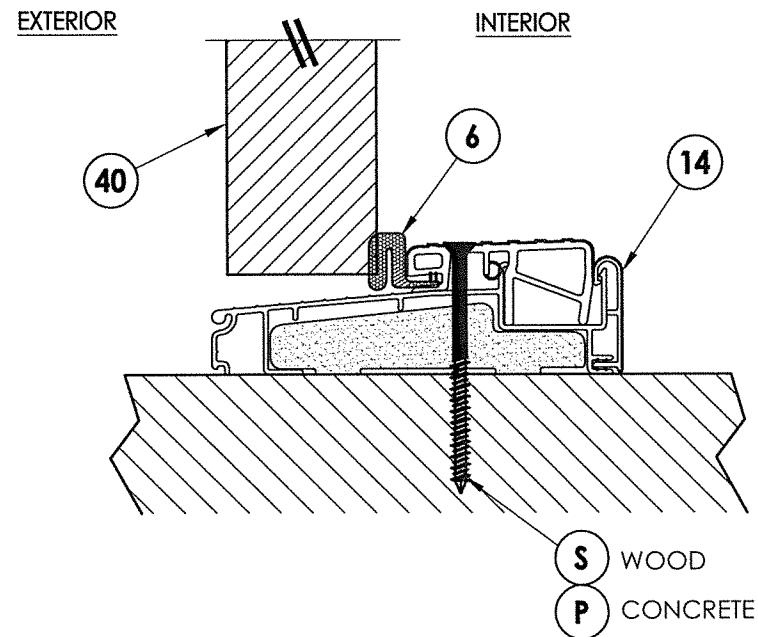
SHEET 5 OF 8



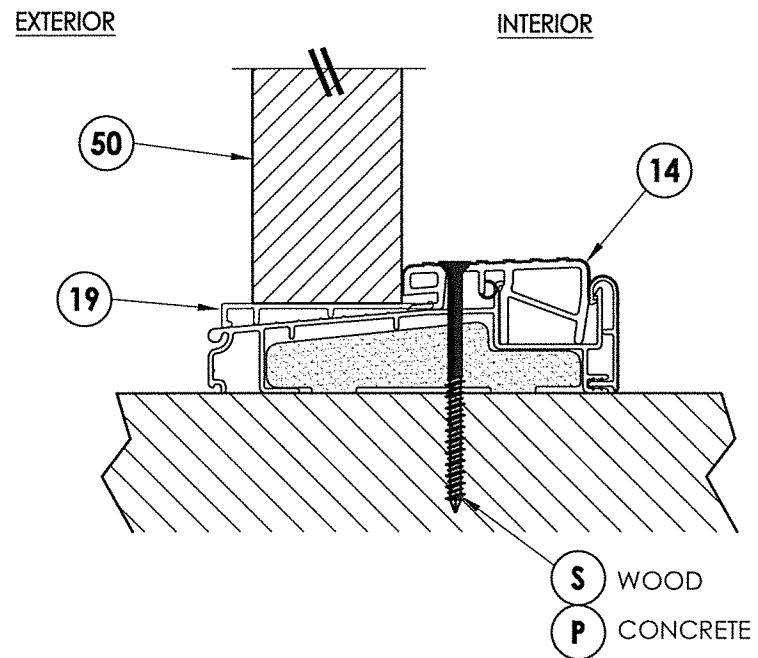
**1** VERTICAL CROSS SECTION  
**6** Inswing Threshold



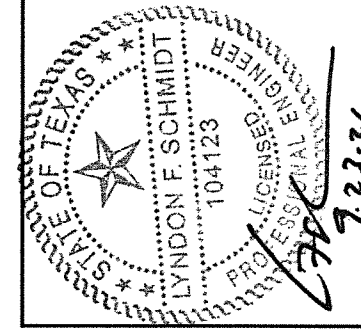
**3** VERTICAL CROSS SECTION  
**6** Inswing Threshold



**2** VERTICAL CROSS SECTION  
**6** Outswing Threshold



**4** VERTICAL CROSS SECTION  
**6** Outswing Threshold

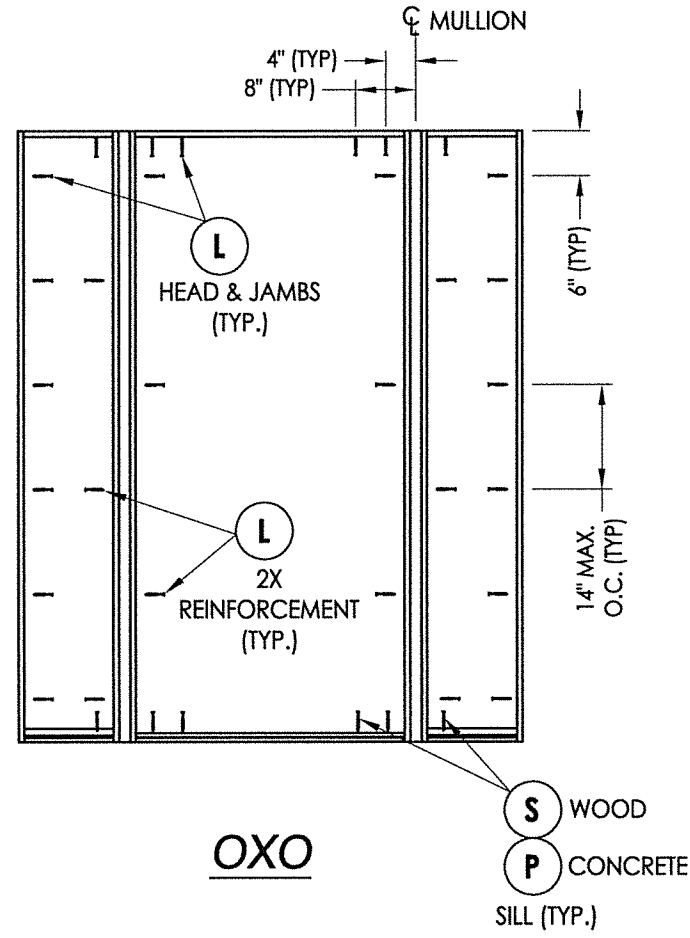
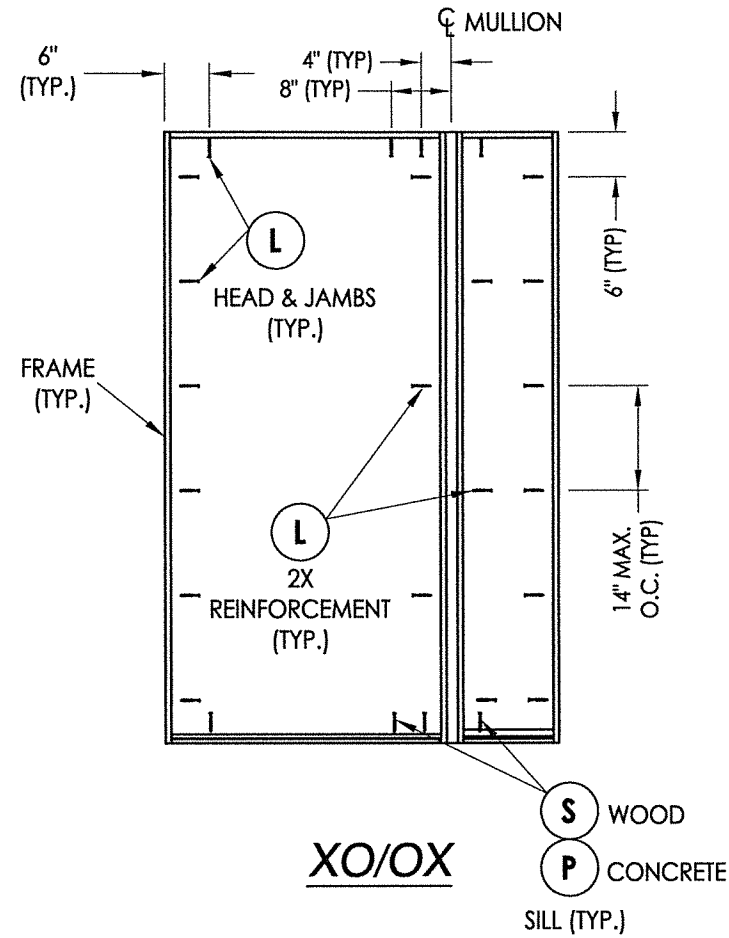


Documents Prepared By: Lyndon F. Schmidt, P.E.  
TEXAS P.E. #104123

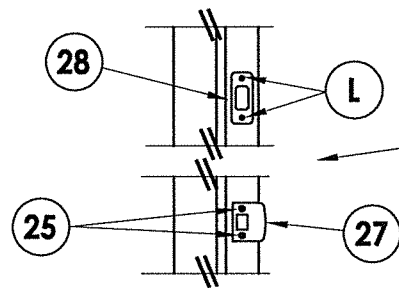
**RW** BUILDING CONSULTANTS, INC.  
P.O. Box 230 Valrico FL 33595  
Phone No.: 813.659.9197

TEXAS BOARD OF PROFESSIONAL ENGINEERS  
CERTIFICATE OF REGISTRATION # F-11852

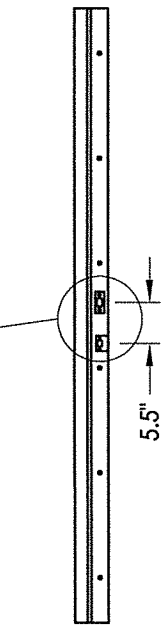
PRODUCT:	SURE ROCK FIBERGLASS DOORS	
PART OR ASSEMBLY:	VERTICAL CROSS SECTIONS	
DATE:	7/25/16	
SCALE:	N.T.S.	
DWG. BY:	JK	
CHK. BY:	LFS	
DRAWING NO.:	TX-4822	
SHEET	6 OF 8	
NO.	DATE	REVISIONS
1	9/23/21	UPDATE TO 2018 IBC/IRC CODE
		LFS
		BY



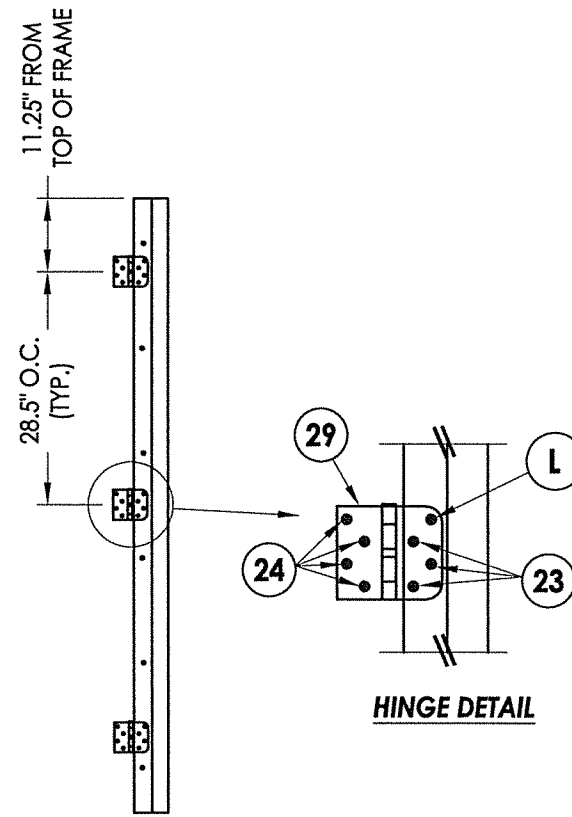
**FRAME ANCHORING**



**LATCH AND DEADBOLT STRIKE PLATE DETAILS**

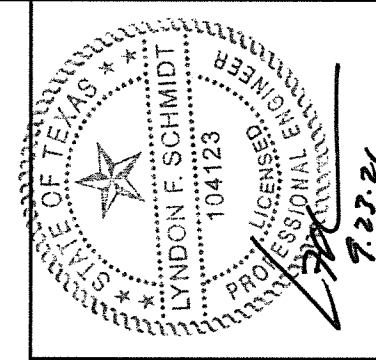


**STRIKE JAMB**



**HINGE DETAIL**

**HINGE JAMB**



Documents Prepared By: Lyndon F. Schmidt, P.E.  
TEXAS P.E. #104123

**RW** BUILDING CONSULTANTS, INC.  
P.O. Box 230 Vairico FL, 33595  
Phone No.: 813.659.9197

TEXAS BOARD OF PROFESSIONAL ENGINEERS  
CERTIFICATE OF REGISTRATION # F-11852

PRODUCT: SURE ROCK FIBERGLASS DOORS

PART OR ASSEMBLY: FRAME ANCHORING

NO.	DATE	DESCRIPTION	BY
1	9/23/21	UPDATE TO 2018 IBC/IRC CODE	LFS
			REVISIONS

DATE: 7/25/16

SCALE: N.T.S.

DWG. BY: JK

CHK. BY: LFS

DRAWING NO.: TX-4822

SHEET 7 of 8

