

# WINCORE™

## WINDOWS & DOORS

250 Staunton Turnpike, Parkersburg, WV 26104

### 5400/5400S Series Vinyl Sliding Patio Door "NON-IMPACT"

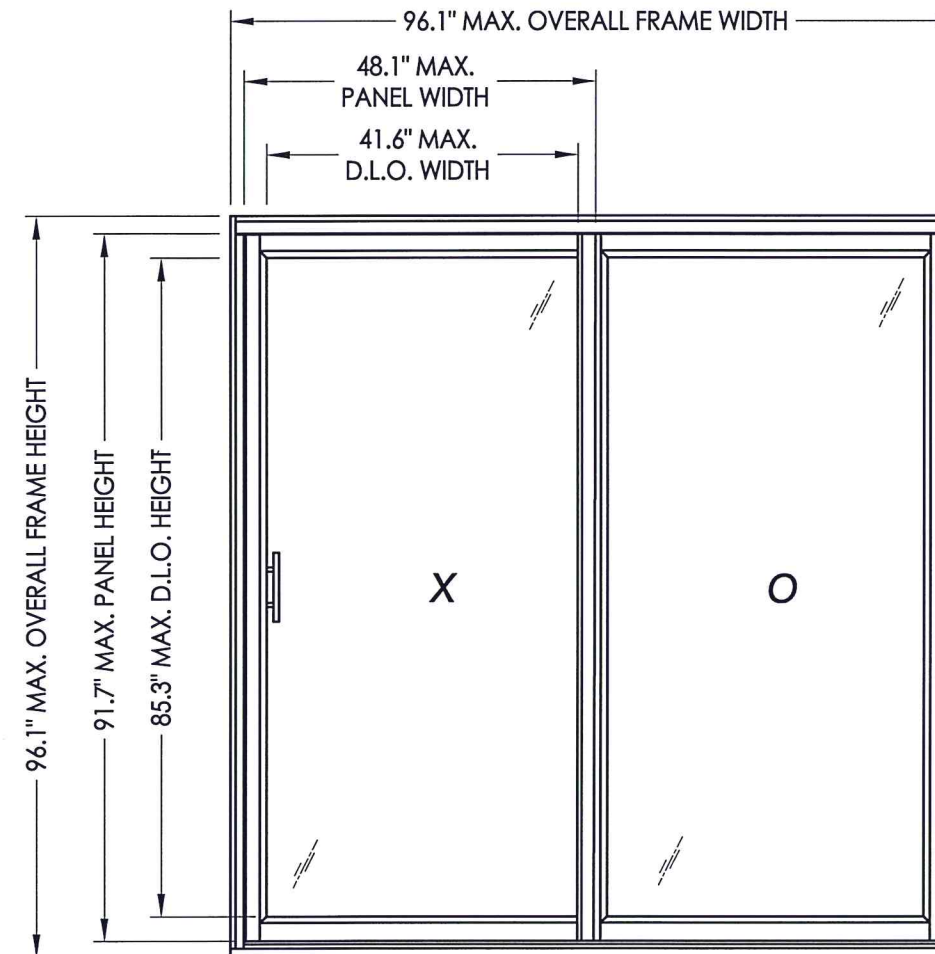
#### EVALUATED FOR USE IN THE STATE OF TEXAS

The Wincore Sliding Patio Door described herein complies with the 2006 International Residential Code (IRC), Sections R308.6 and the 2006 International Building Code (IBC), Sections 1405.12, 1609, 1714.5, 2403 and 2404 (including Texas revisions) subject to the following conditions:

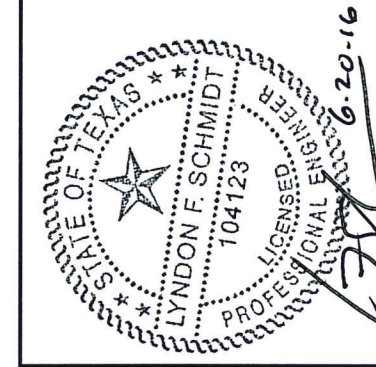
1. Anchors shall be as listed and spaced as shown in the details. Anchor embedment to base material shall be beyond roof covering.
2. When used in areas requiring wind-borne debris protection this product is required to be protected with an impact resistant covering that complies with Section R301.2.1.2 of the IRC and Section 1609.1.2 of the IBC.
3. Allowable design pressure requirements must be equal to or less than the design pressure rating shown in the design pressure chart, sheet 1 of this drawing.
4. Conditions not covered by this drawing are subject to further engineering analysis.

#### TABLE OF CONTENTS

SHEET#	DESCRIPTION
1	Typical elevation, design pressures & general notes
2	Horizontal and vertical cross sections
3	Horizontal and vertical cross sections
4	Frame anchoring
5	Glazing details
6	Bill of materials & components



OVERALL FRAME DIMENSION	MAX. PANEL DIMENSION	MAX. D.L.O. DIMENSION	GLASS TYPE	DESIGN PRESSURE (PSF)	
				POSITIVE	NEGATIVE
70.9" x 81.9"	35.6" X 77.6"	29.1" X 71.2"	G1, G2, G3	+60.0	-60.0
94.5" x 79.5"	47.2" X 75.2"	40.7" X 68.8"	G1, G2, G3	+40.0	-40.0
96.1" x 96.1"	48.1" X 91.7"	41.6" X 85.3"	G1, G2, G3	+35.0	-35.0



Documents Prepared By: Lyndon F. Schmidt, P.E.  
TEXAS P.E. #104123

RW BUILDING CONSULTANTS, INC.  
P.O. Box 230 Valrico FL 33595  
Phone No.: 813.659.9197

TEXAS BOARD OF PROFESSIONAL ENGINEERS  
CERTIFICATE OF REGISTRATION # F-11852

PRODUCT: 5400/5400S SERIES SLIDING PATIO DOORS  
PART OR ASSEMBLY: TYPICAL ELEVATION, DESIGN PRESSURES & GENERAL NOTES

NO.	DATE	BY	REVISIONS

DATE: 6/16/16

SCALE: N.T.S.

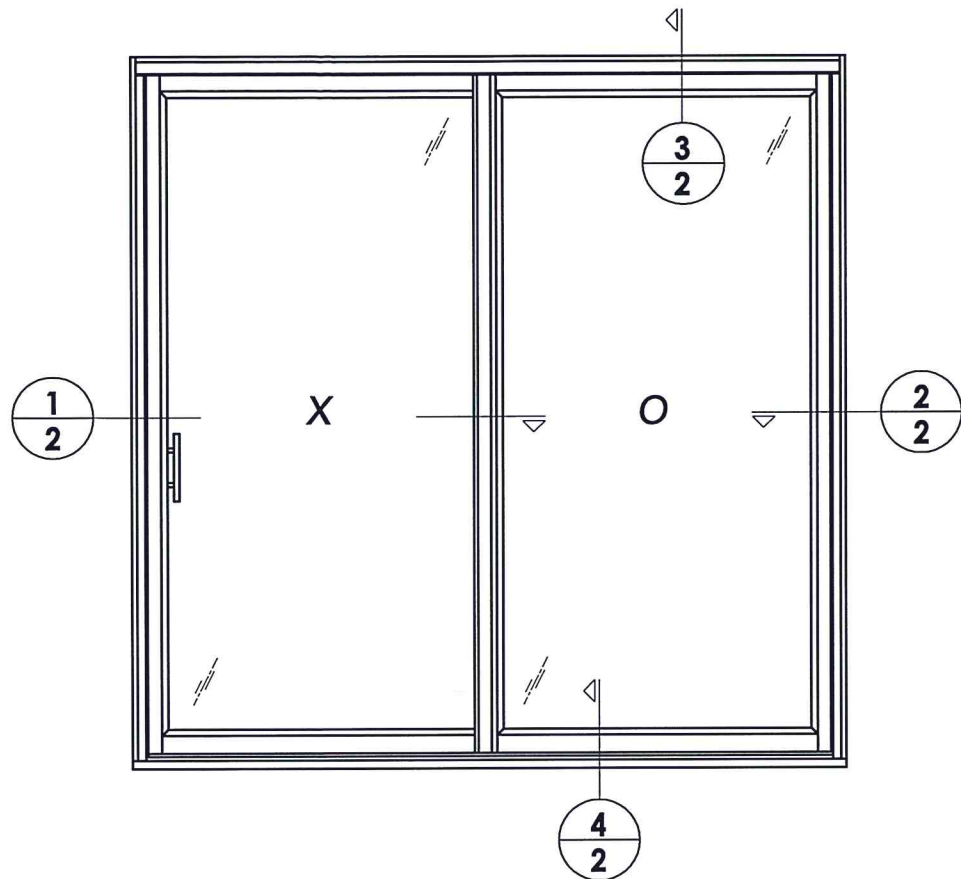
DWG. BY: JK

CHK. BY: LFS

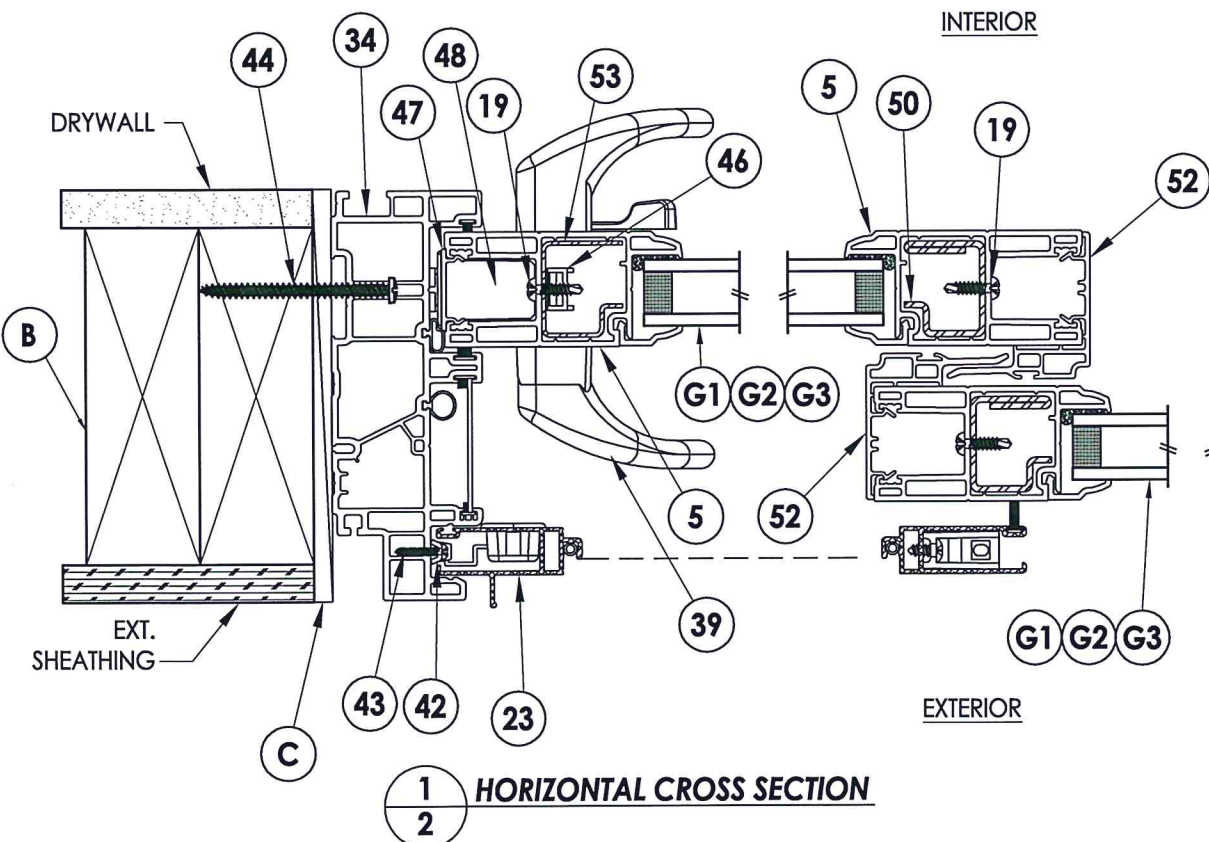
DRAWING NO.: TX-4615

SHEET 1 OF 6

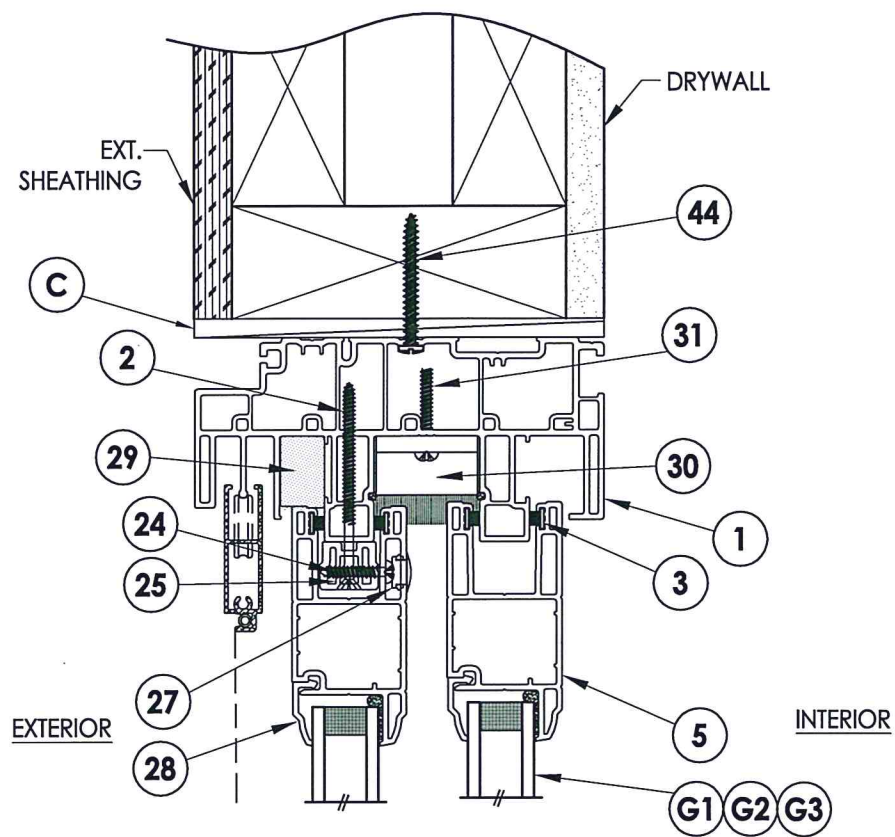
R:\Clients\Wincore PERMANENT\B - Texas Dept of Ins\Sliding Glass Doors\WIN-NEW 5400S SGD\TX-4615-18.dwg, 1.2



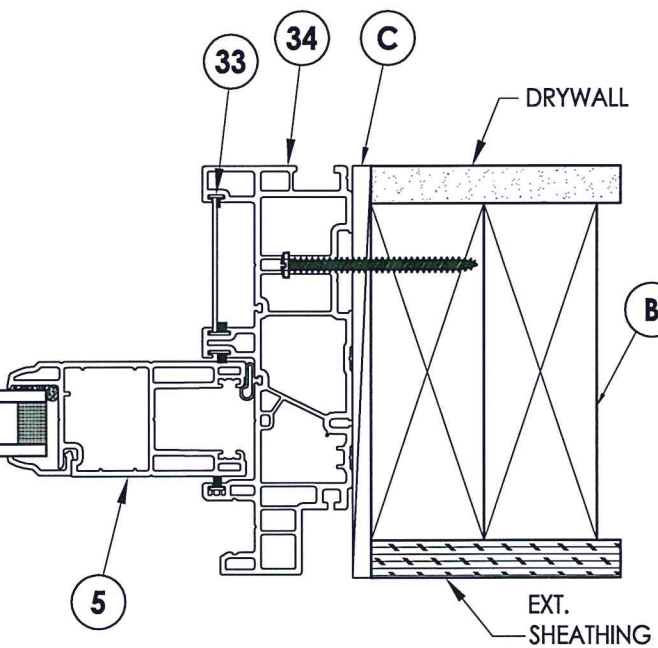
ANCHORING UP TO 94.5" X 79.5" FRAME SIZE



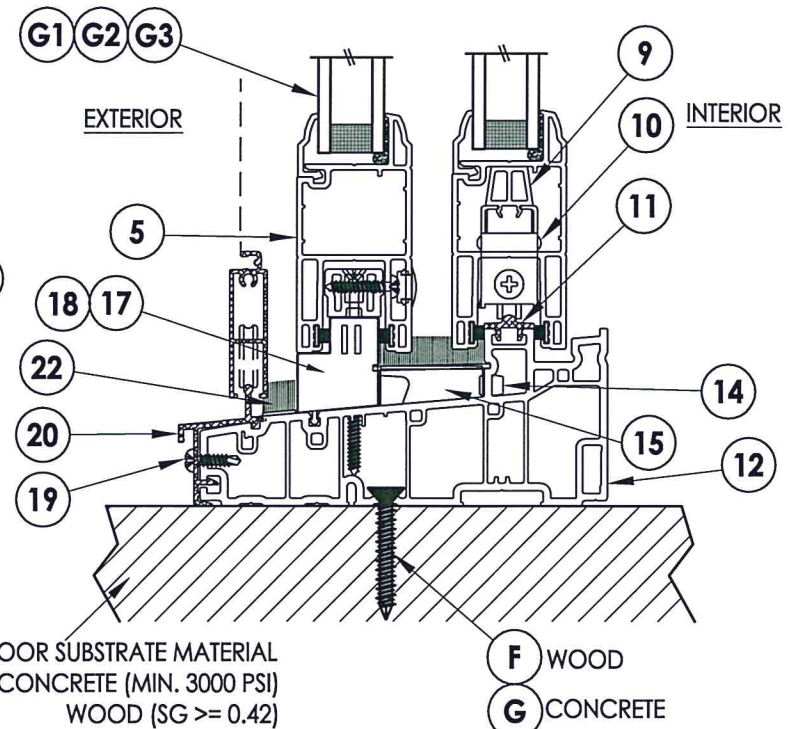
1  
2 HORIZONTAL CROSS SECTION



3  
2 VERTICAL CROSS SECTION



2  
2 HORIZONTAL CROSS SECTION



4  
2 VERTICAL CROSS SECTION



Documents Prepared By: Lyndon F. Schmidt, P.E.  
TEXAS P.E. #104123

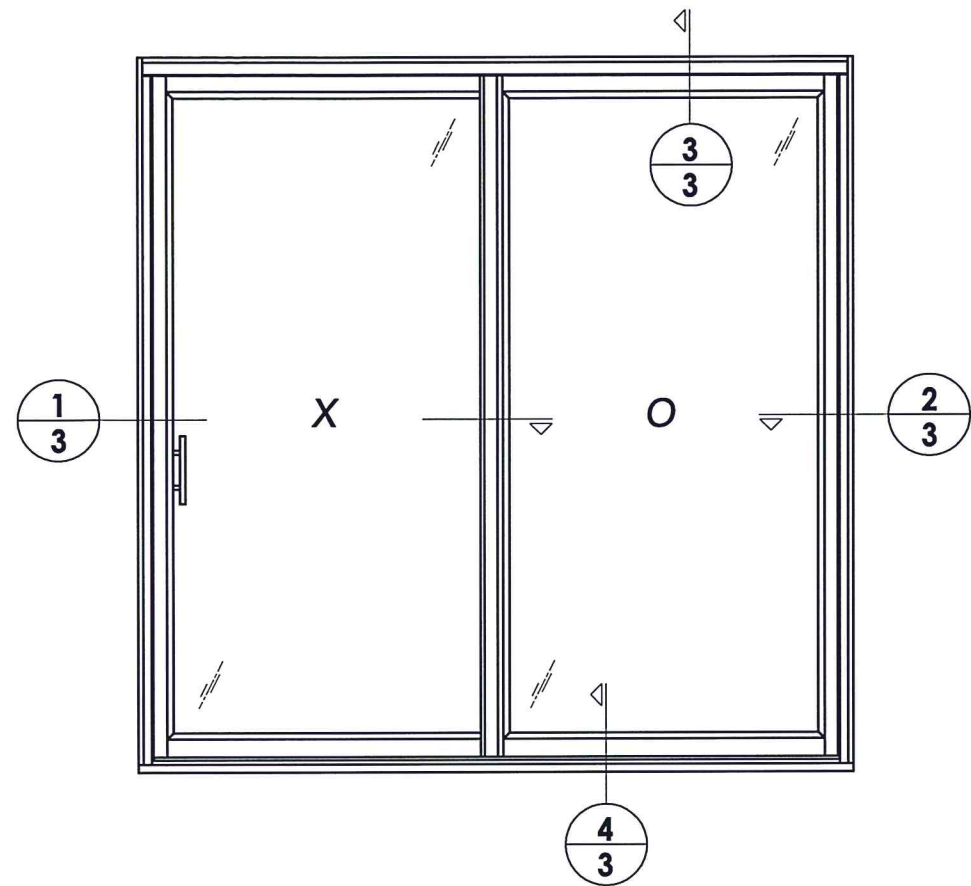
**RW** BUILDING CONSULTANTS, INC.  
P.O. Box 230 Valrico FL 33595  
Phone No.: 813.659.9197

TEXAS BOARD OF PROFESSIONAL ENGINEERS  
CERTIFICATE OF REGISTRATION # F-11852

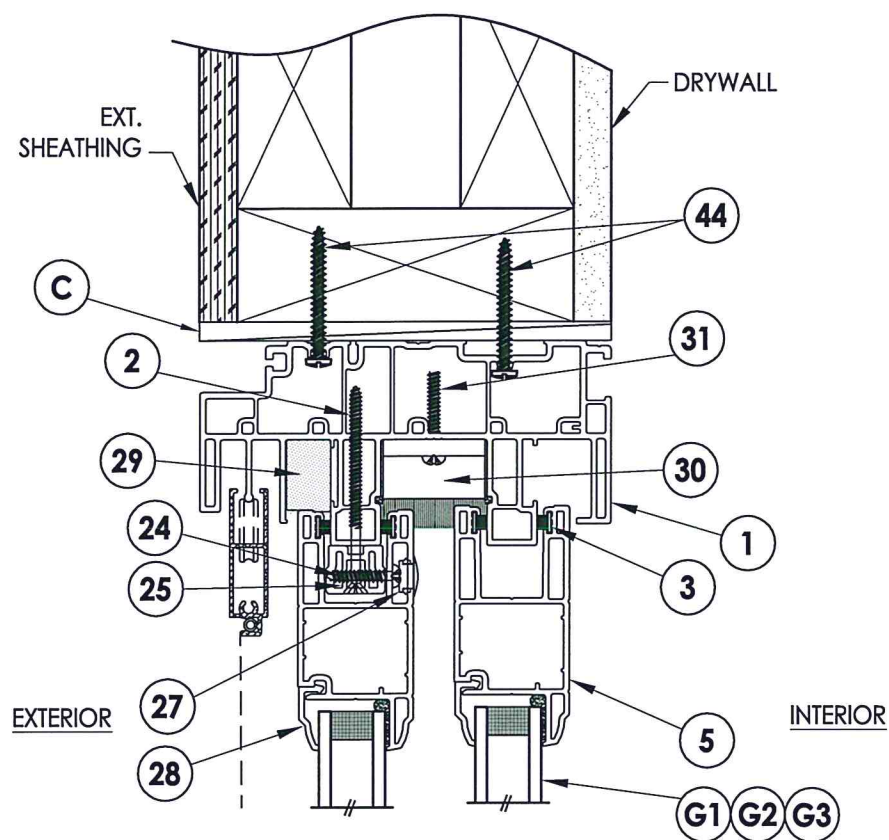
PRODUCT: 5400/5400S SERIES SLIDING PATIO DOORS  
PART OR ASSEMBLY: HORIZONTAL AND VERTICAL CROSS SECTIONS

NO.	DATE	BY	REVISIONS

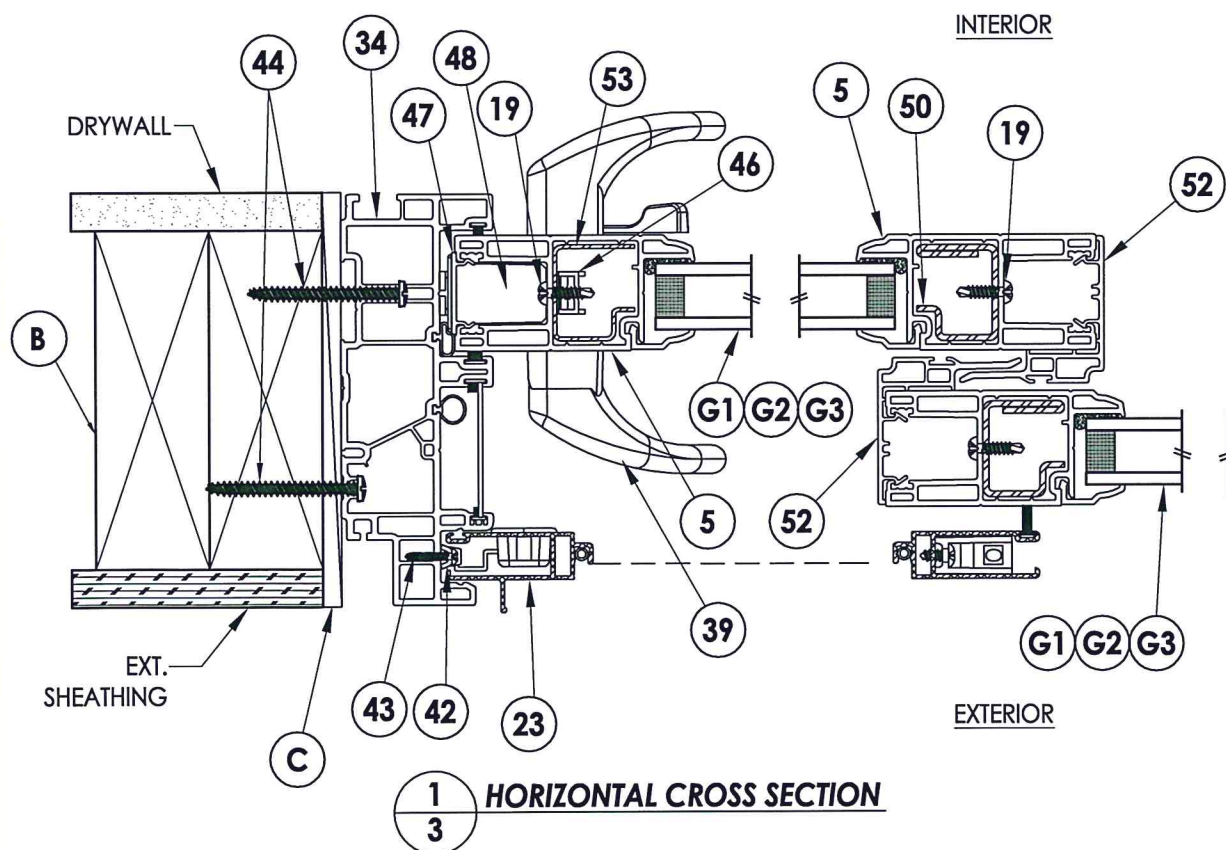
DATE: 6/16/16  
SCALE: N.T.S.  
DWG. BY: JK  
CHK. BY: LFS  
DRAWING NO.: TX-4615  
SHEET 2 OF 6



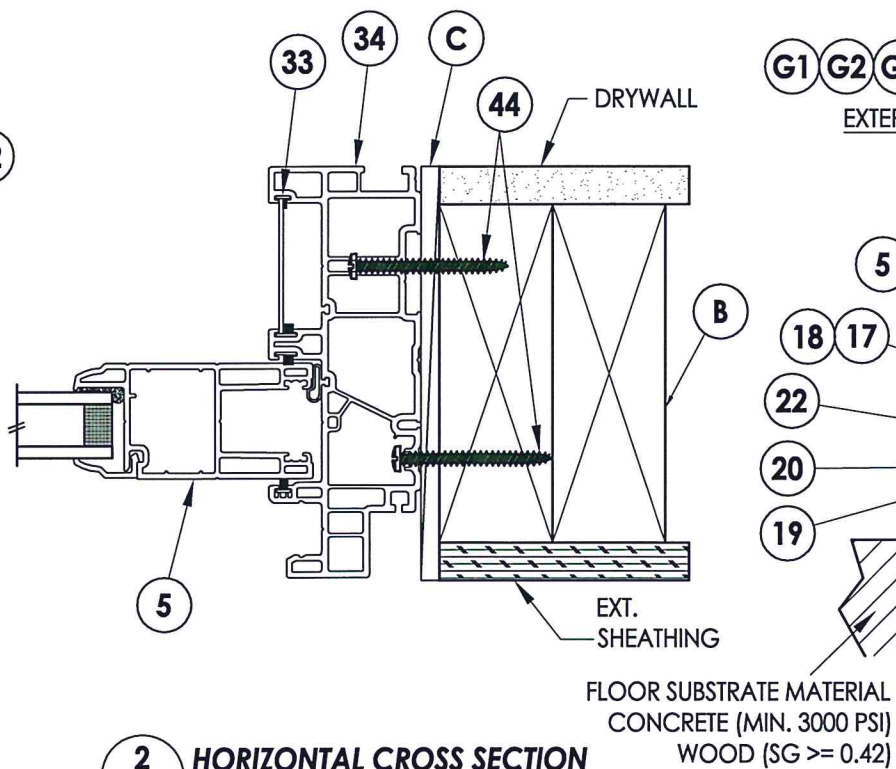
ANCHORING UP TO 96.1" X 96.1" FRAME SIZE



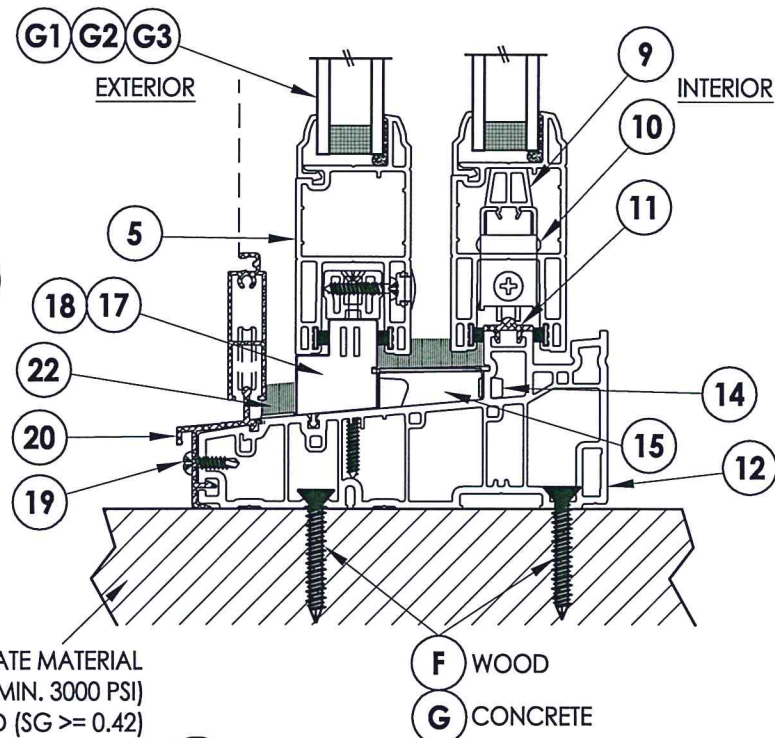
3  
3 VERTICAL CROSS SECTION



1  
3 HORIZONTAL CROSS SECTION



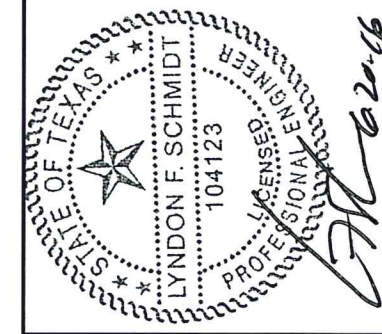
2  
3 HORIZONTAL CROSS SECTION



4  
3 VERTICAL CROSS SECTION

FLOOR SUBSTRATE MATERIAL  
CONCRETE (MIN. 3000 PSI)  
WOOD (SG >= 0.42)

F WOOD  
G CONCRETE



Documents Prepared By: Lyndon F. Schmidt, P.E.  
TEXAS P.E. #104123

**RW** BUILDING CONSULTANTS, INC.  
P.O. Box 230 Valrico FL 33595  
Phone No.: 813.659.9197

TEXAS BOARD OF PROFESSIONAL ENGINEERS  
CERTIFICATE OF REGISTRATION # F-11852

PRODUCT: 5400/5400S SERIES  
SLIDING PATIO DOORS

PART OR ASSEMBLY:  
HORIZONTAL AND VERTICAL  
CROSS SECTIONS

NO.	DATE	BY	REVISIONS

DATE: 6/16/16

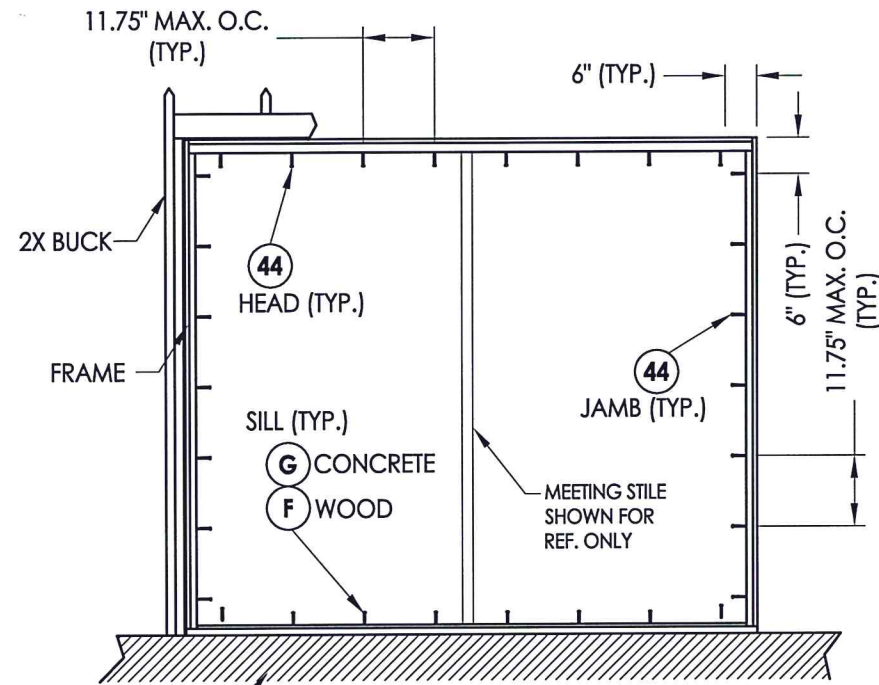
SCALE: N.T.S.

DWG. BY: JK

CHK. BY: LFS

DRAWING NO.: TX-4615

SHEET 3 OF 6

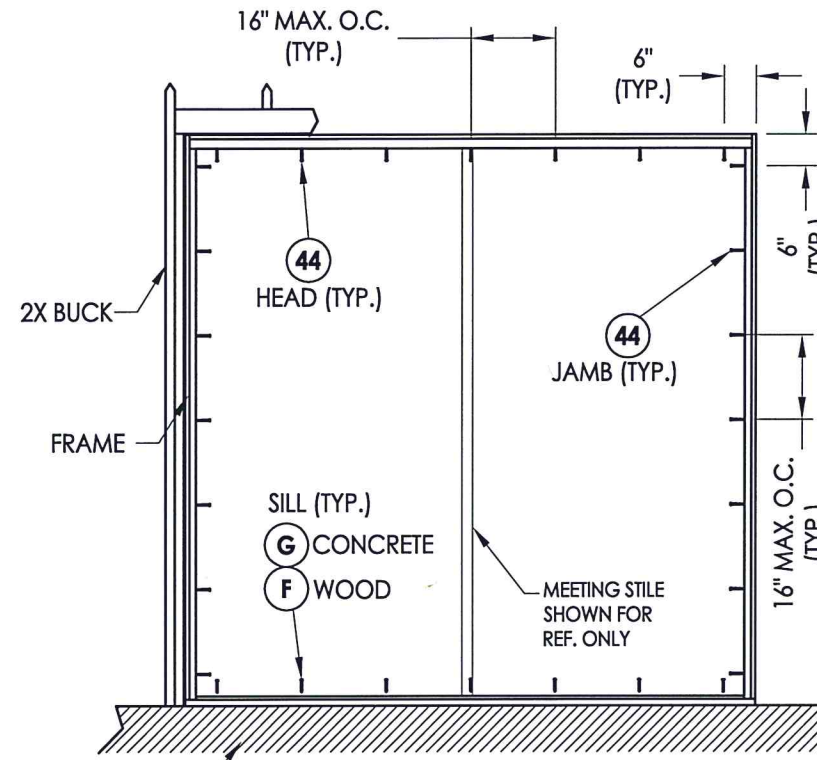


FLOOR SUBSTRATE MATERIAL (TYP.)  
 CONCRETE (MIN. 3000 PSI)  
 WOOD (G >= 0.42)

**FRAME ANCHORING**

NOTE: One (1) ANCHOR REQ'D @ EACH LOCATION SHOWN

**ANCHORING UP TO 94.5" X 79.5" FRAME SIZE**



FLOOR SUBSTRATE MATERIAL (TYP.)  
 CONCRETE (MIN. 3000 PSI)  
 WOOD (G >= 0.42)

**FRAME ANCHORING**

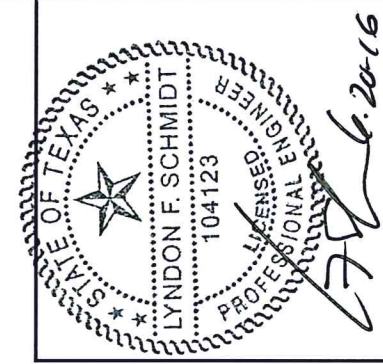
NOTE: TWO (2) ANCHORS REQ'D IN PAIRS @ EACH LOCATION SHOWN

**ANCHORING UP TO 96.1" X 96.1" FRAME SIZE**

**CONCRETE ANCHOR NOTES:**

- Concrete anchor locations at the corners may be adjusted to maintain the min. edge distance to mortar joints.
- Concrete anchor locations noted as "MAX. ON CENTER" must be adjusted to maintain the min. edge distance to mortar joints, additional concrete anchors may be required to ensure the "MAX. ON CENTER" dimension are not exceeded.
- Concrete anchor table:

ANCHOR TYPE	ANCHOR SIZE	MIN. EMBEDMENT	MIN. CLEARANCE TO MASONRY EDGE	MIN. CLEARANCE TO ADJACENT ANCHOR
ITW TAPCON®	1/4"	1-3/4"	1-1/2"	4"
ELCO ULTRACON®	1/4"	1-3/4"	2-1/2"	3"



Documents Prepared By: Lyndon F. Schmidt, P.E.  
 TEXAS P.E. #104123

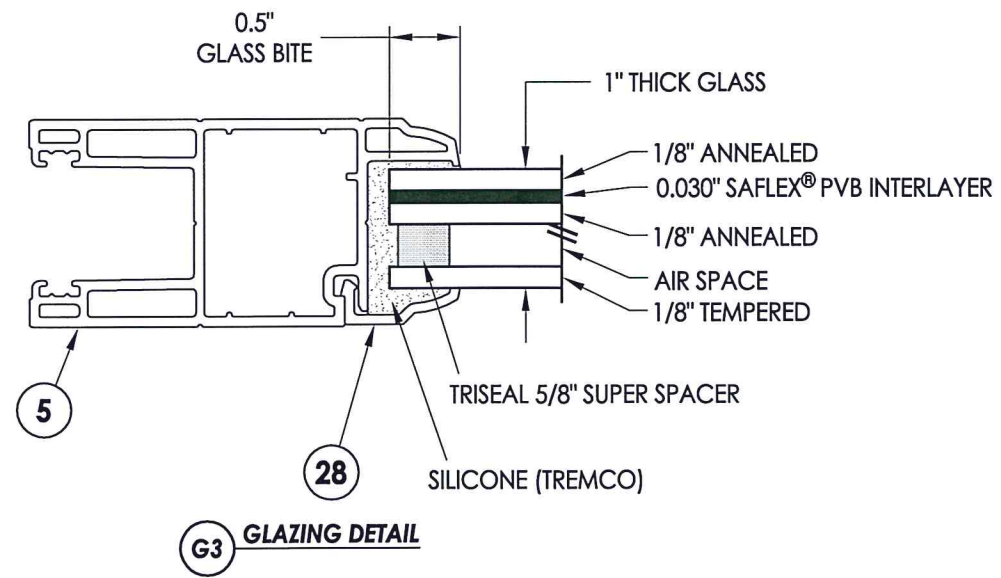
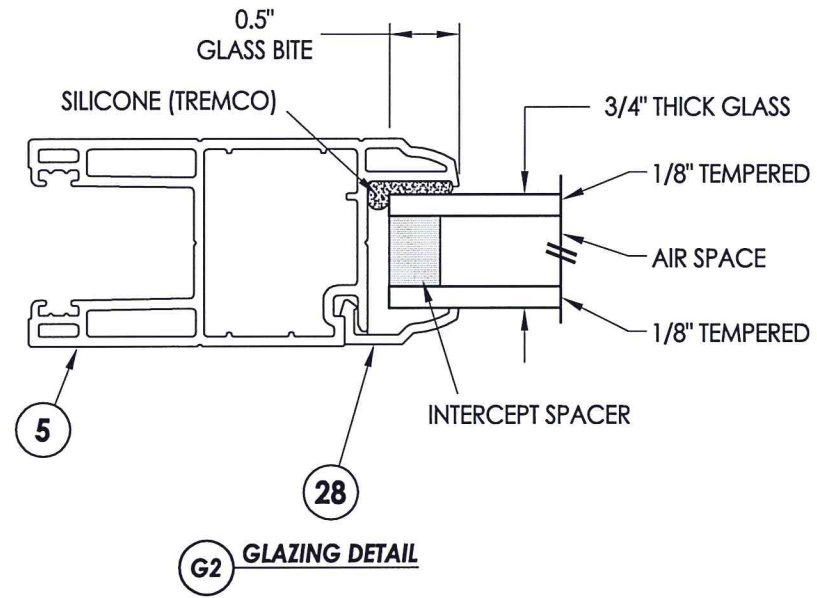
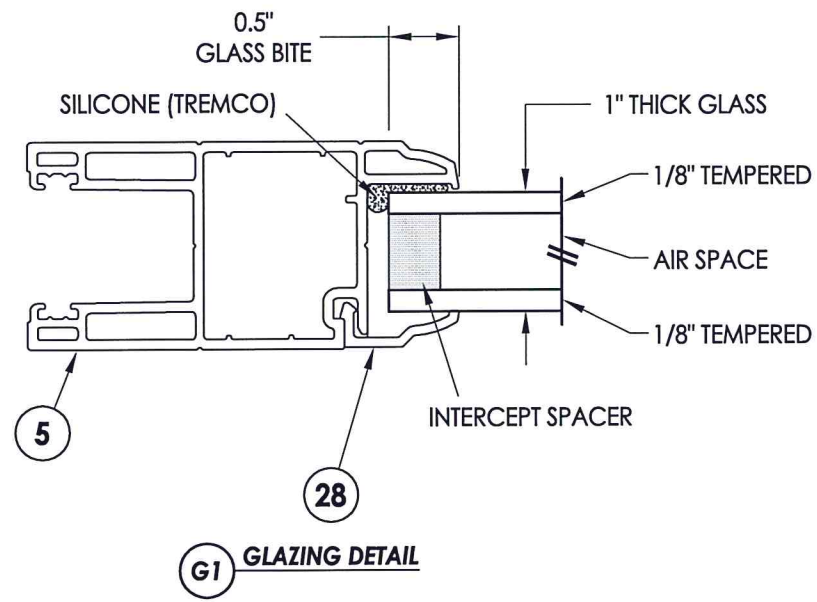
**RW** BUILDING CONSULTANTS, INC.  
 P.O. Box 230 Valrico FL, 33595  
 Phone No.: 813.659.9197

TEXAS BOARD OF PROFESSIONAL ENGINEERS  
 CERTIFICATE OF REGISTRATION # F-11852

PRODUCT: 5400/5400S SERIES SLIDING PATIO DOORS  
 PART OR ASSEMBLY: FRAME ANCHORING

NO.	DATE	BY	REVISIONS

DATE: 6/16/16  
 SCALE: N.T.S.  
 DWG. BY: JK  
 CHK. BY: LFS  
 DRAWING NO.: TX-4615  
 SHEET 4 OF 6



Documents Prepared By: Lyndon F. Schmidt, P.E.  
 TEXAS P.E. #104123

**RW** BUILDING CONSULTANTS, INC.  
 P.O. Box 230 Valrico FL, 33595  
 Phone No.: 813.659.9197

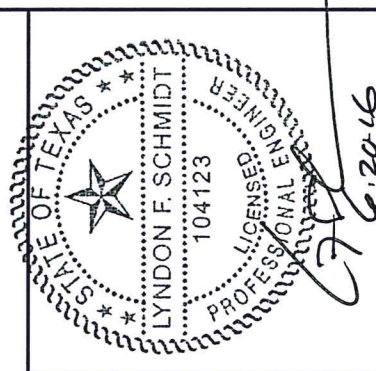
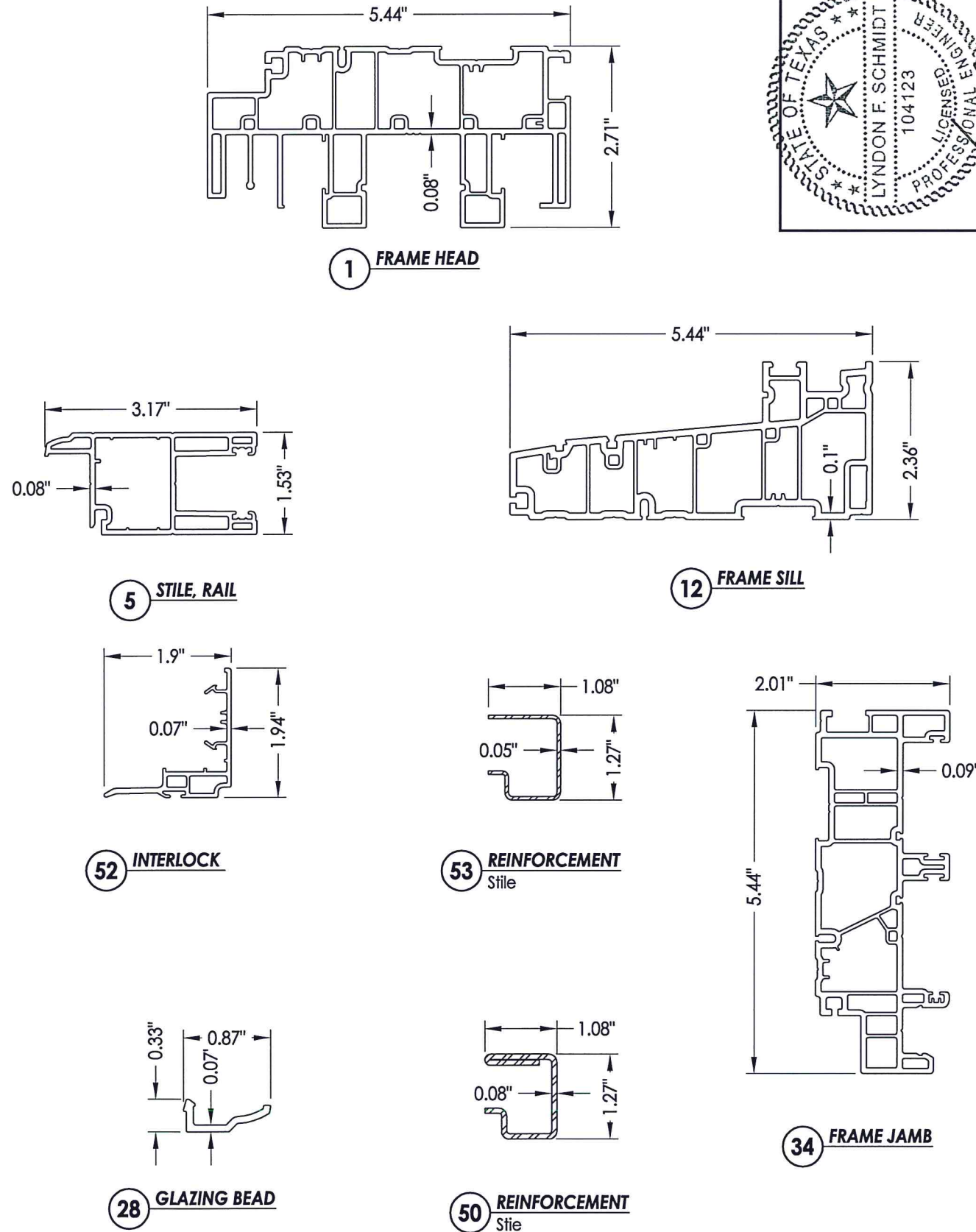
TEXAS BOARD OF PROFESSIONAL ENGINEERS  
 CERTIFICATE OF REGISTRATION # F-11852

PRODUCT:		5400/5400S SERIES SLIDING PATIO DOORS	
PART OR ASSEMBLY:		GLAZING DETAILS	
NO.	DATE	BY	
REVISIONS			
DATE: 6/16/16			
SCALE: N.T.S.			
DWG. BY: JK			
CHK. BY: LFS			
DRAWING NO.: TX-4615			
SHEET 5 OF 6			

**BILL OF MATERIALS**

ITEM #	DESCRIPTION	MATERIAL
B	2X FRAMING (SG >= 0.42)	WOOD
C	1/4" MAX. SHIM SPACE	-
F	#10 PPH WOOD SCREW (1-3/8" MIN. EMBEDMENT REQ'D INTO WOOD)	STEEL
G	1/4" ELCO OR ITW CONCRETE SCREW (1-3/4" MIN. EMBEDMENT REQ'D INTO CONCRETE)	STEEL
1	FRAME HEAD*	PVC
2	#8 x 2-3/4" FH QUADREX WOOD SCREW	STEEL
3	WEATHERSTRIP (SCHLEGEL #HF-7522-270)	-
4	HEAD TRACK*	PVC
5	STILE & RAIL*	PVC
6	SETTING BLOCK	-
7	SILICONE (SIKA 552)	SILICONE
8	DURASEAL SPACER SYSTEM	-
9	SHIM	-
10	TANDEM WHEEL	NYLON
11	ROLLING RAIL	ALUM
12	SILL*	PVC
13	SILL DUST COVER*	PVC
14	SILL PLUG	NYLON
15	SILL WEATHERSEAL	-
17	LEFT CAP FOR SILL ADAPTER*	PVC
18	RIGHT CAP FOR SILL ADAPTER*	PVC
19	#8 X 5/8" PAN HEAD, SQUARE, SELF-DRILLING SCREW	STEEL
20	OUTSIDE SILL CLADDING	STEEL
22	INSECT STOP	-
23	SCREEN	-
24	#8 X 7/8" PAN HEAD, QUADREX, SCREW	STEEL
25	FIXED PANEL ANCHOR BLOCK*	PVC
27	SCREW CAP	NYLON
28	GLAZING BEAD*	PVC
29	FOAM PLUG	-
30	HEAD WEATHERSEAL	-
31	#8 X 1-1/4" PAN HEAD, QUADREX, SCREW	STEEL
32	SASH STOPPER	EPDM
33	WEATHERSTRIP	-
34	FRAME JAMB*	PVC
35	WEATHERSTRIP	-
39	HANDLE KIT	STEEL
42	KEEPER FOR SCREEN	-
43	#4 X 5/8" PAN HEAD QUADREX SCREW	STEEL
44	#10 PPH WOOD SCREW (1-3/8" MIN. EMBEDMENT REQ'D INTO WOOD)	STEEL
46	STAINLESS STEEL DOUBLE POINT MORTISE LOCK KIT	STEEL
47	SASH COVERING CAP*	PVC
48	LOCK PLUG*	PVC
50	STILE REINFORCEMENT	STEEL
51	#8 X 2" TRUSS HEAD QUADREX SCREW	STEEL
52	INTERLOCK*	PVC
53	STILE REINFORCEMENT	STEEL
54	Q-LON WEATHERSTRIP (SCHLEGEL NO. QEZ 345)	-

\* THE APPROVED WHITE RIGID PVC EXTERIOR EXTRUSIONS FOR WINDOWS ARE TO BE PRODUCED BY EXTRUDERS LICENSEES IN "AAMA CERTIFICATION PROGRAMS FOR RIGID PVC EXTRUSIONS".



Documents Prepared By: Lyndon F. Schmidt, P.E.  
TEXAS P.E. #104123

**RW** BUILDING CONSULTANTS, INC.  
P.O. Box 230 Valrico FL, 33595  
Phone No.: 813.659.9197

TEXAS BOARD OF PROFESSIONAL ENGINEERS  
CERTIFICATE OF REGISTRATION # F-11852

PRODUCT: 5400/5400S SERIES  
SLIDING PATIO DOORS

PART OR ASSEMBLY:  
BILL OF MATERIALS  
& COMPONENTS

NO.	DATE	BY	REVISIONS

DATE: 6/16/16  
SCALE: N.T.S.  
DWG. BY: JK  
CHK. BY: LFS  
DRAWING NO.: TX-4615  
SHEET 6 OF 6