



By **R3Composites**
 14123 Roth Road
 Grabill, IN 46741

Nicolette Fiberglass Door INSWING / OUTSWING "NON-IMPACT"

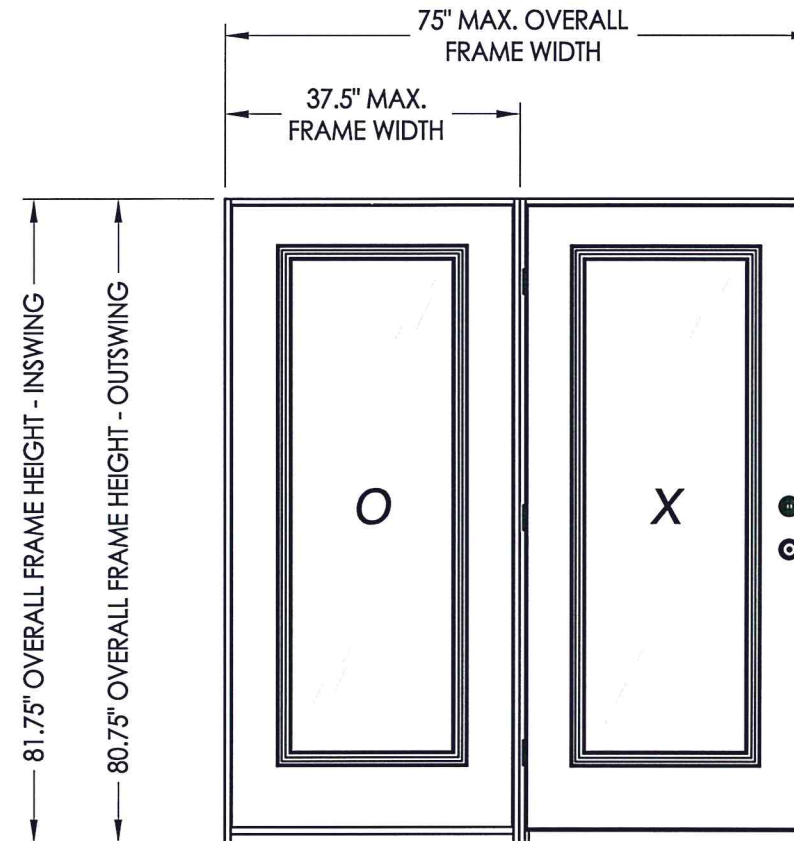
EVALUATED FOR USE IN THE STATE OF TEXAS

The Fiberglass Door described herein complies with the 2006 International Residential Code (IRC), Sections R301 & R613 and the 2006 International Building Code (IBC), Sections 1405.12, 1609, 1714.5, 2403 and 2404 (including Texas revisions) subject to the following conditions:

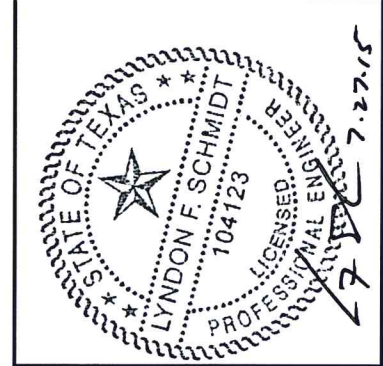
1. Anchors shall be as listed and spaced as shown in the details. Anchor embedment to base material shall be beyond wall dressing or stucco.
2. When used in areas requiring wind-borne debris protection this product is required to be protected with an impact resistant covering that complies with Section R301.2.1.2 of the IRC and Section 1609.1.2 of the IBC.
3. Allowable design pressure requirements must be equal to or less than the design pressure rating shown in the design pressure chart, sheet 1 of this drawing.
4. Conditions not covered by this drawing are subject to further engineering analysis.

TABLE OF CONTENTS

SHEET#	DESCRIPTION
1	Typical elevations, design pressures & general notes
2	Door panel details
3	Sidelite panel details and glazing detail
4	Horizontal cross sections
5	Vertical cross sections
6	Vertical cross sections
7	Buck and frame anchoring
8	Bill of materials and components



CONFIGURATION	MAX. FRAME DIMENSION	MAX. D.L.O. DIMENSION	DESIGN PRESSURE (PSF) INSWING		DESIGN PRESSURE (PSF) OUTSWING	
			POSITIVE	NEGATIVE	POSITIVE	NEGATIVE
OX or XO	75.0" x 81.75"	20.88" X 62.88"	+40.0	-50.0	+40.0	-40.0



Lyndon F. Schmidt, P.E.
 TEXAS P.E. #104123

Documents Prepared By:
R3 COMPOSITES

R3 BUILDING CONSULTANTS, INC.
 P.O. Box 230 Valrico FL, 33595
 Phone No.: 813.659.9197

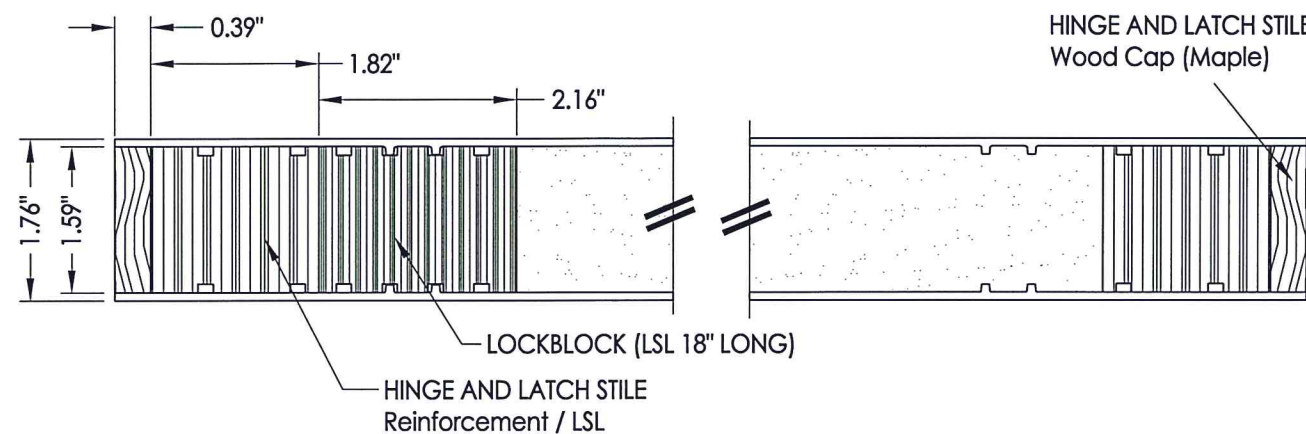
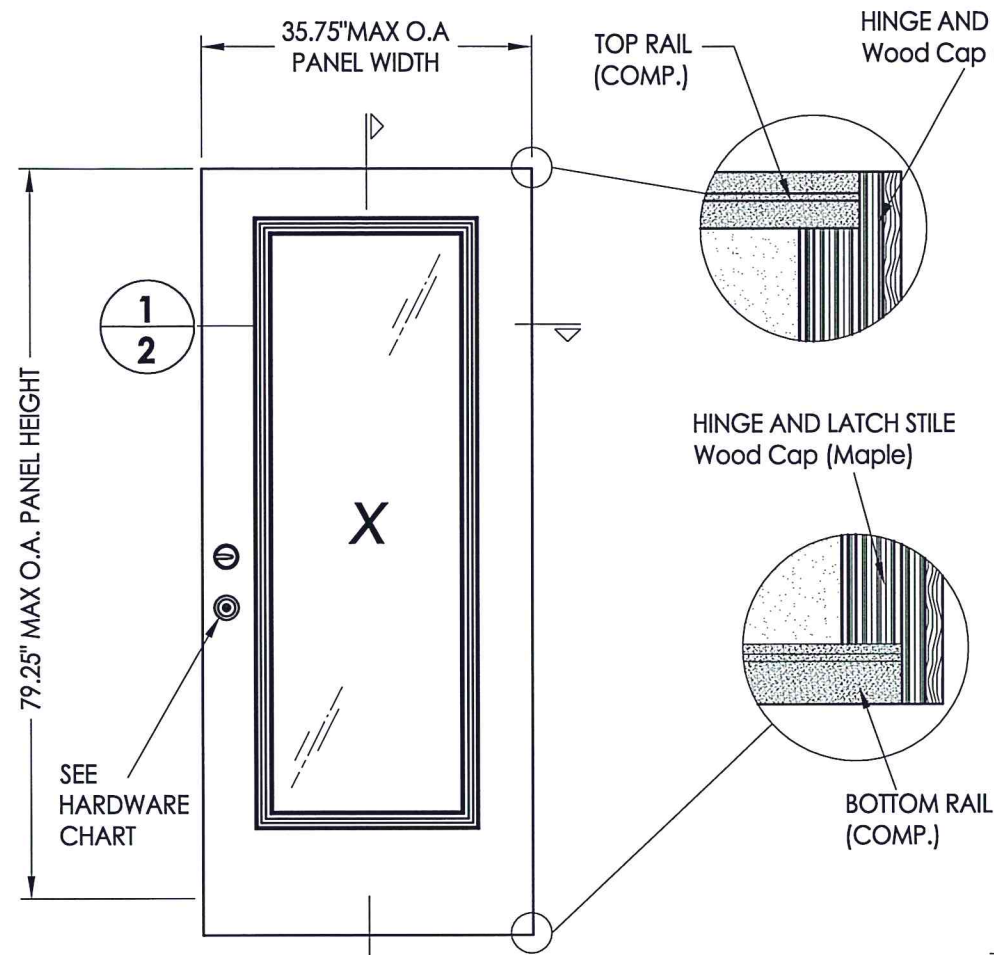
TEXAS BOARD OF PROFESSIONAL ENGINEERS
 CERTIFICATE OF REGISTRATION # F-11852

PRODUCT: R3 COMPOSITES
 PART OR ASSEMBLY: TYPICAL ELEVATION, DESIGN PRESSURES & GENERAL NOTES

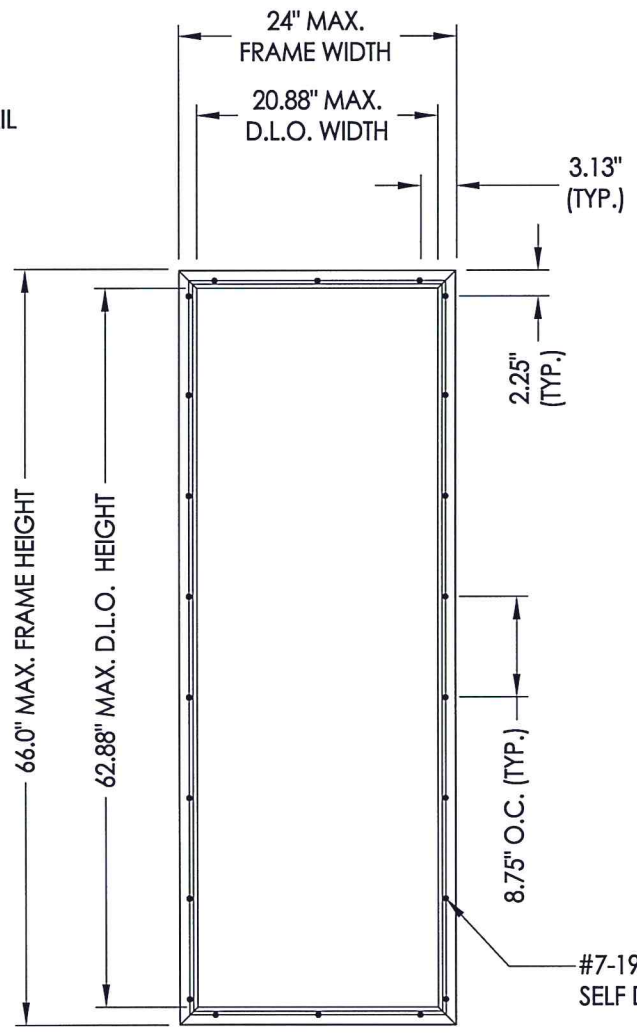
NO.	DATE	BY	REVISIONS

DATE: 7/20/15
 SCALE: N.T.S.
 DWG. BY: JK
 CHK. BY: LFS
 DRAWING NO.: TX-4556
 SHEET 1 OF 8

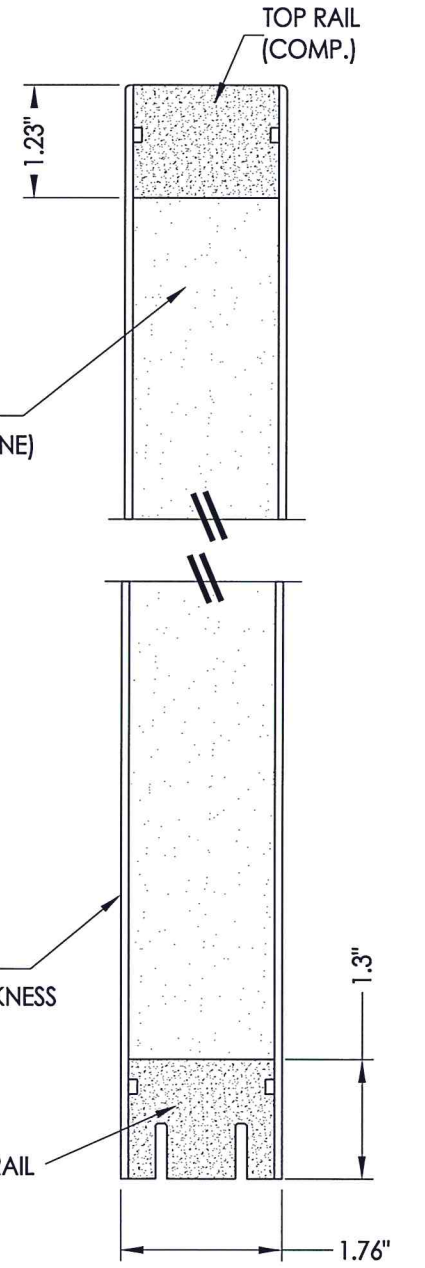
\Clients\R 3 Composites PERMANENT\Texas Dept of Ins\TDI - XXX\Drawings\Current\TX-4556.dwg, 2.7



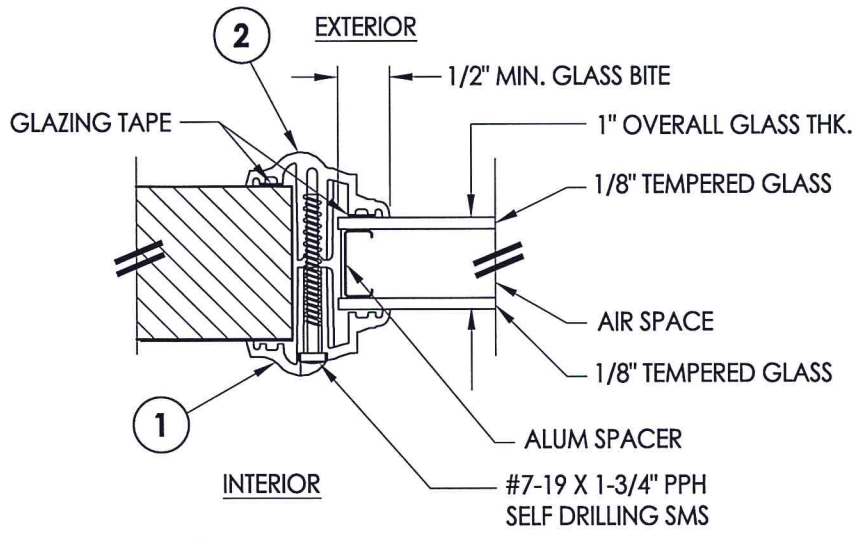
1
2 HORIZONTAL CROSS SECTION



HARDWARE TABLE		
MANUFACTURER	MODEL	
KWIKSET	KNOB:	SERIES (400)
	DEADBOLT:	SERIES (660)
SCHLAGE	KNOB:	F51
	DEADBOLT:	B60N



2
2 VERTICAL CROSS SECTION



G1 GLAZING DETAIL
EVOLVE FRAME (1" Insulated Glass)

EVOLVE FRAME SYSTEM
HP Polypropylene



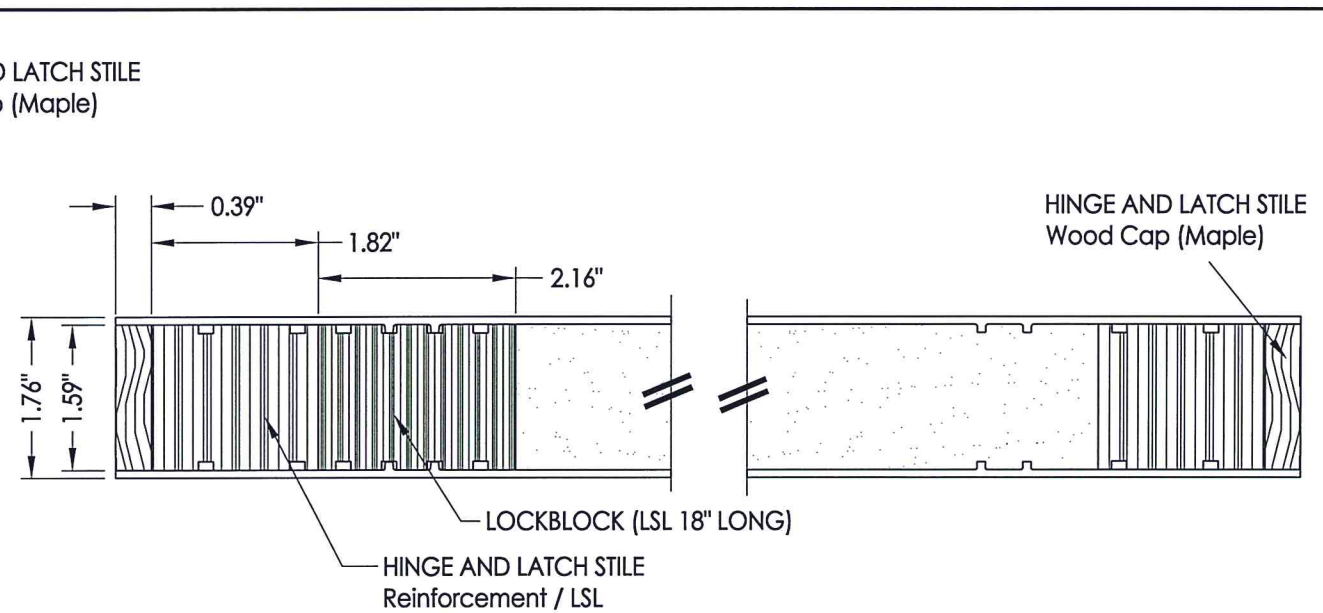
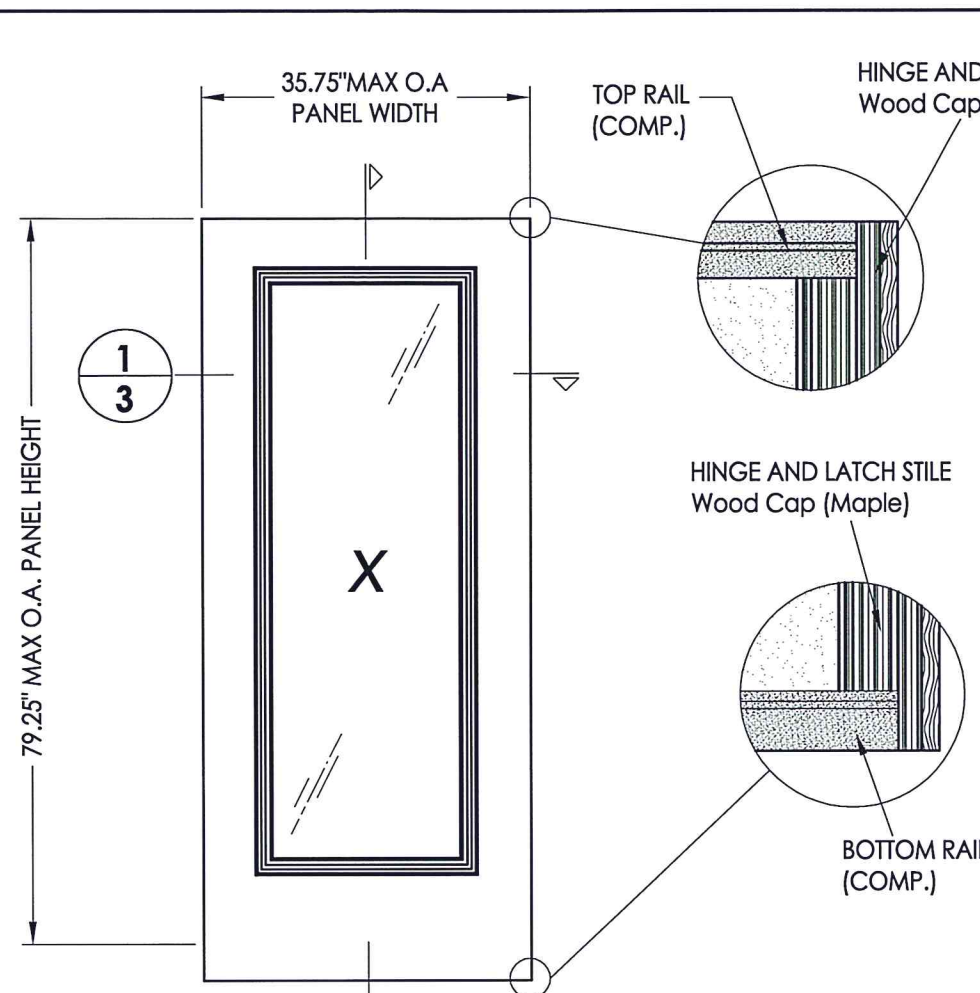
Documents Prepared By:
 Lyndon F. Schmidt, P.E.
 TEXAS P.E. #104123
RW BUILDING CONSULTANTS, INC.
 P.O. Box 230 Vaico FL, 33595
 Phone No.: 813.659.9197
 TEXAS BOARD OF PROFESSIONAL ENGINEERS
 CERTIFICATE OF REGISTRATION # F-11852

PRODUCT: R3 COMPOSITES
 PART OR ASSEMBLY: DOOR PANEL DETAILS AND GLAZING DETAIL

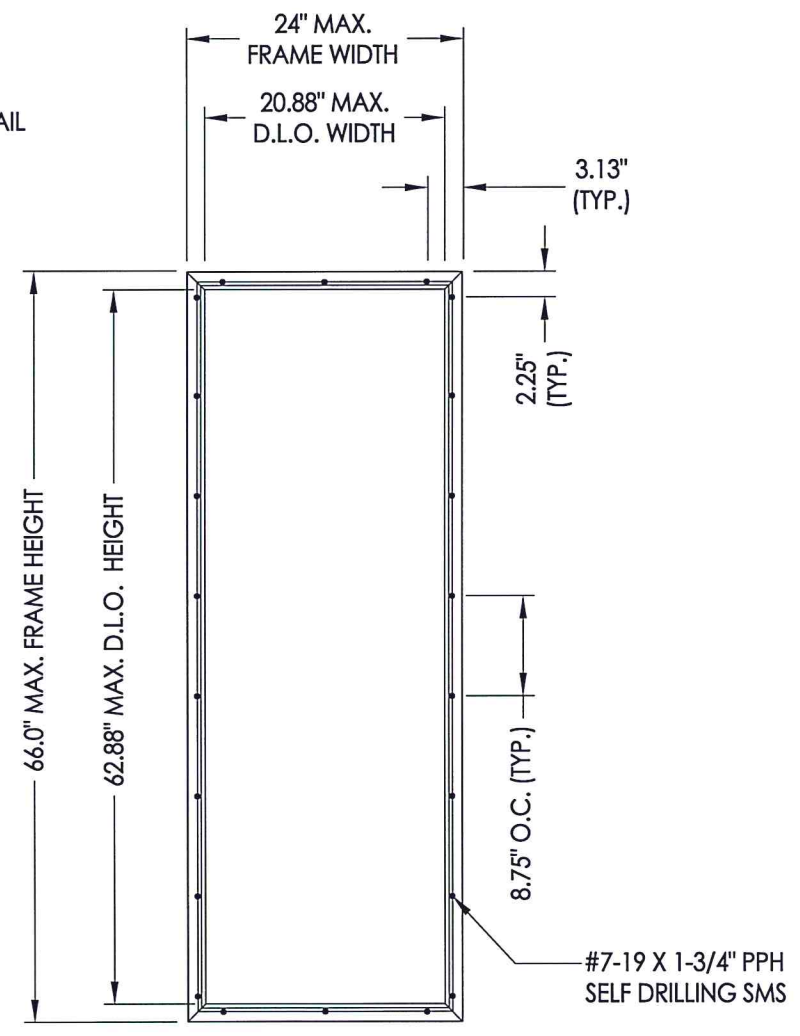
NO.	DATE	BY	REVISIONS

DATE: 7/20/15
 SCALE: N.T.S.
 DWG. BY: JK
 CHK. BY: LFS
 DRAWING NO.: TX-4556
 SHEET 2 OF 8

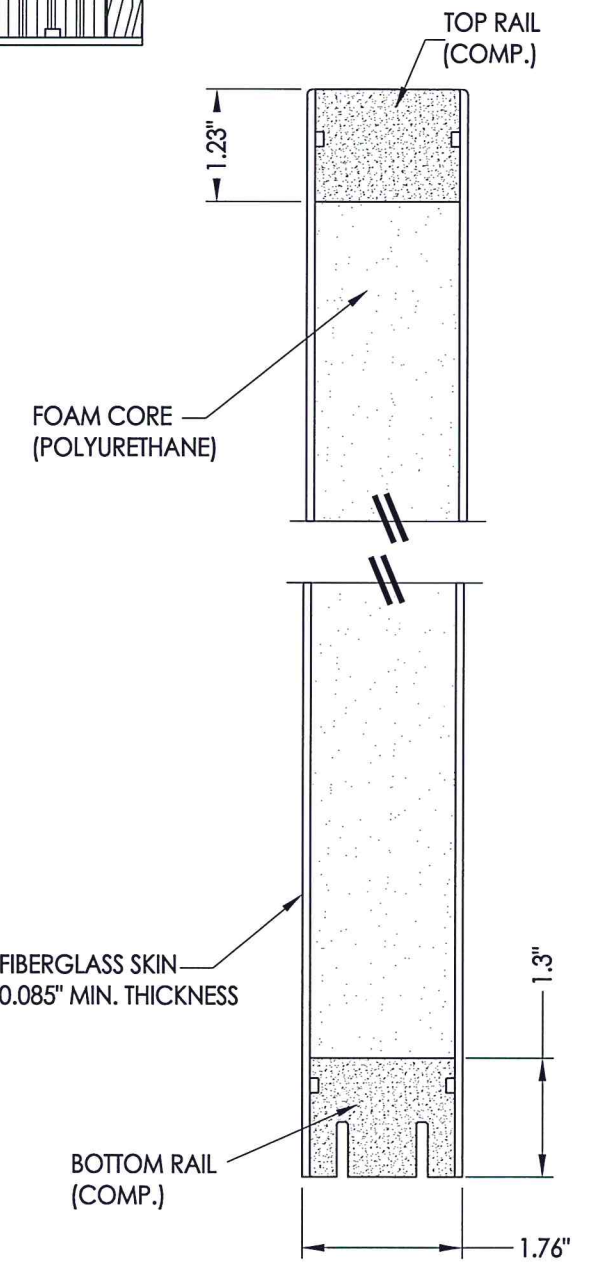
C:\Clients\R 3 Composites PERMANENT\Texas Dept of Ins\TDI - XXX\Drawings\Current\TX-4556.dwg, 3.7



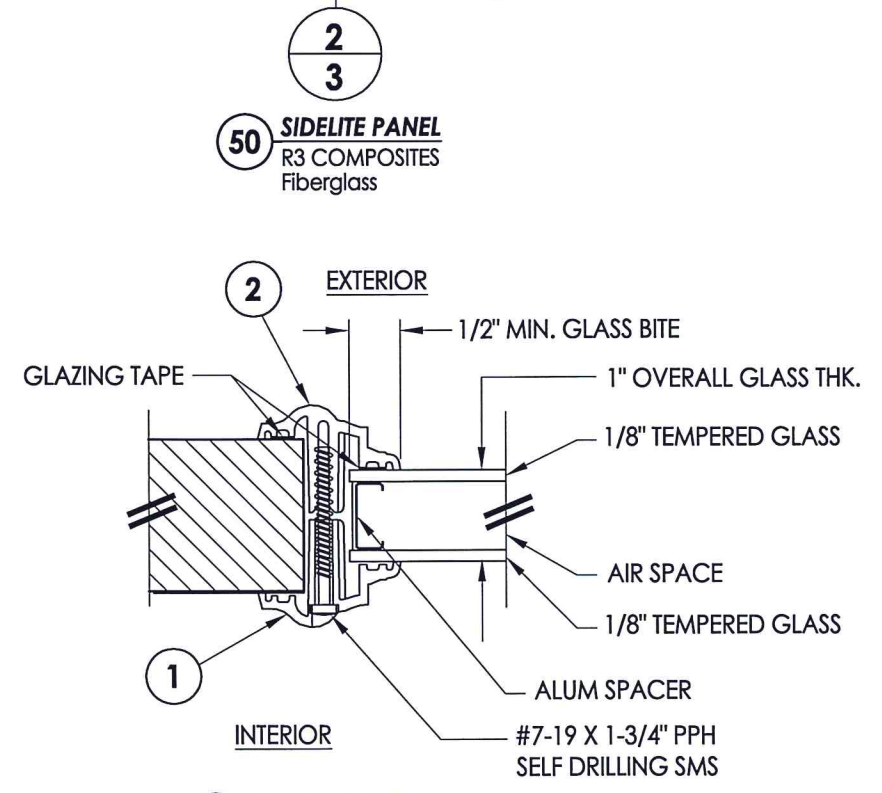
1
3 HORIZONTAL CROSS SECTION



EVOLVE FRAME SYSTEM
HP Polypropylene

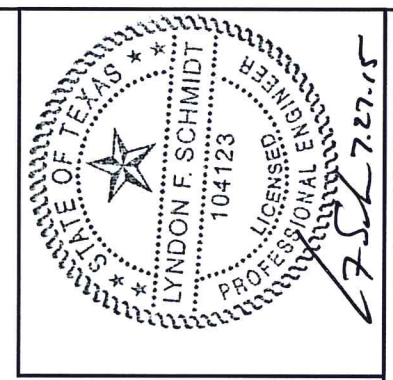


2
3 VERTICAL CROSS SECTION



G1 GLAZING DETAIL
EVOLVE FRAME (1\"/>

50 SIDELITE PANEL
R3 COMPOSITES
Fiberglass



Documents Prepared By:
 Lyndon F. Schmidt, P.E.
 TEXAS P.E. #104123

RW BUILDING CONSULTANTS, INC.
 P.O. Box 230 Valrico FL, 33595
 Phone No.: 813.659.9197
 TEXAS BOARD OF PROFESSIONAL ENGINEERS
 CERTIFICATE OF REGISTRATION # F-11852

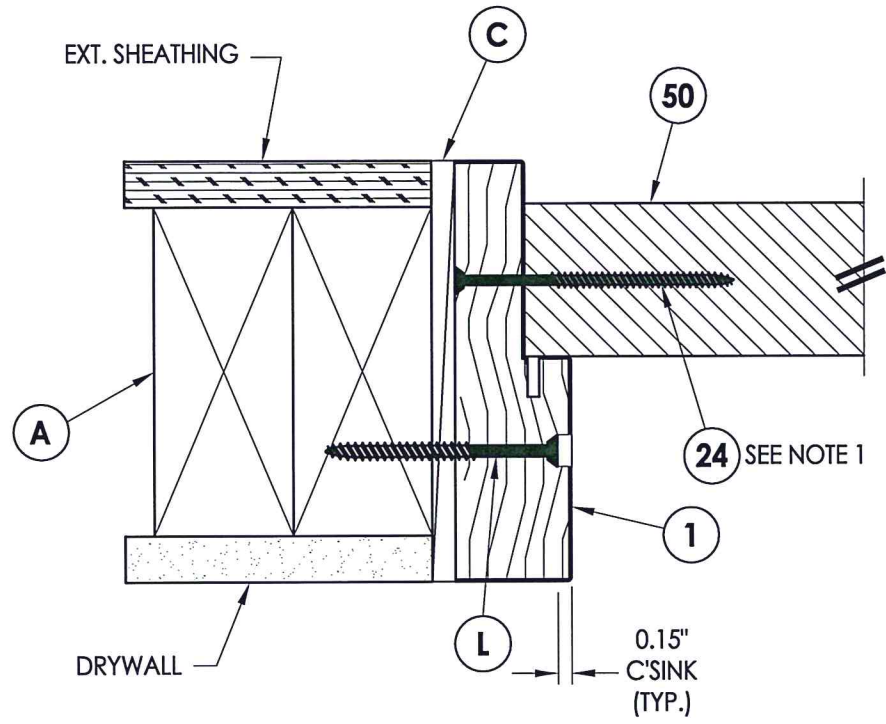
PRODUCT:
 R3 COMPOSITES

 PART OR ASSEMBLY:
 SIDELITE PANEL DETAILS
 AND GLAZING DETAIL

REVISIONS	
NO.	DATE

DATE: 7/20/15
 SCALE: N.T.S.
 DWG. BY: JK
 CHK. BY: LFS
 DRAWING NO.:
 TX-4556
 SHEET 3 OF 8

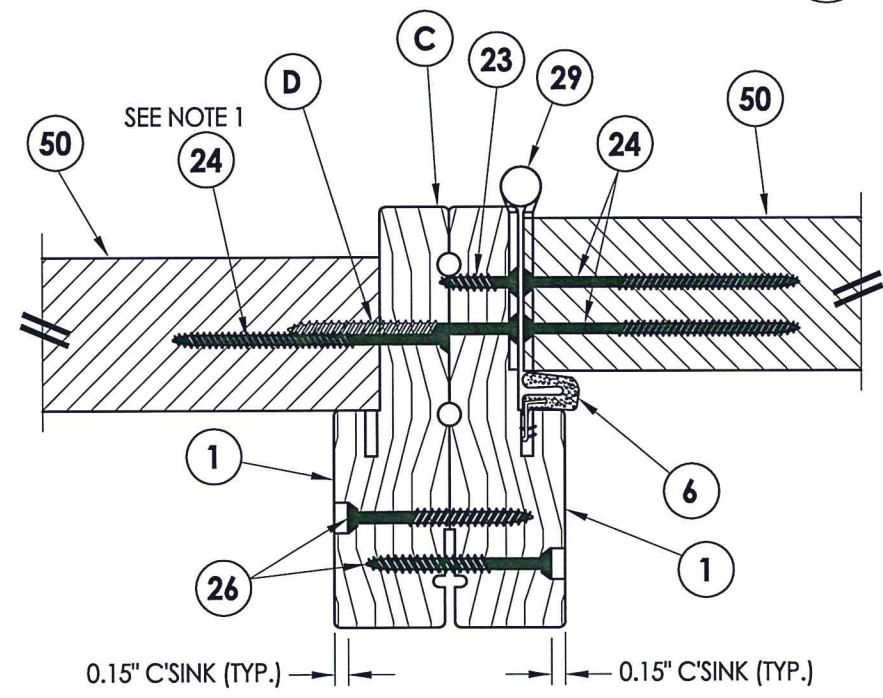
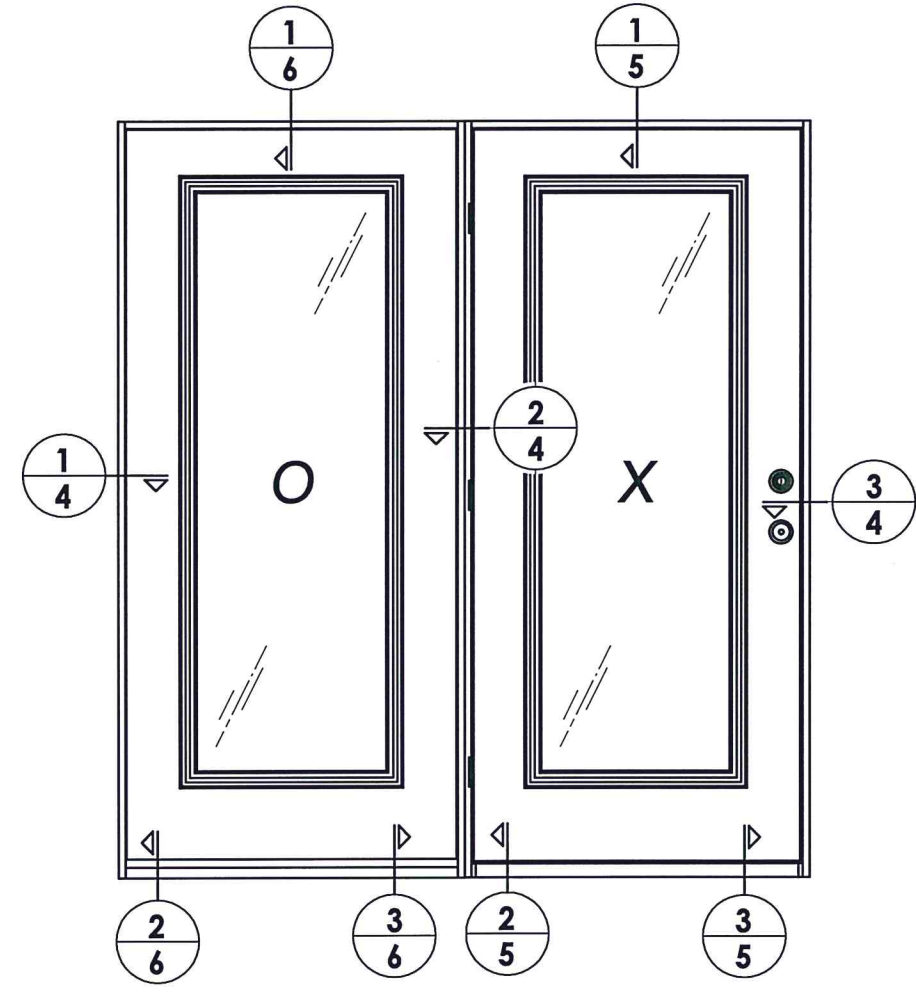
\\Clients\R 3 Composites\PERMANENT\Texas_Dept.of.Ins\TJD\ - XXXX\Drawings\Current\TX-4556.dwg_47



1 HORIZONTAL CROSS SECTION
4 Outswing shown - Inswing also approved

EXTERIOR

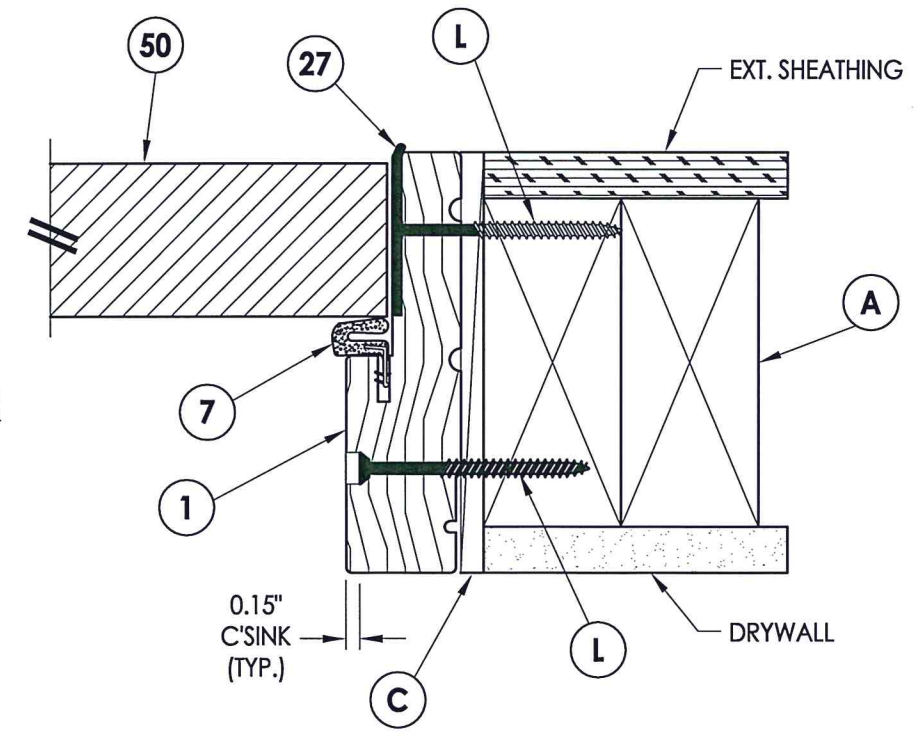
INTERIOR



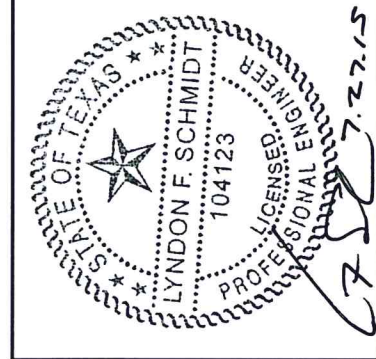
2 HORIZONTAL CROSS SECTION
4 Outswing shown - Inswing also approved

EXTERIOR

INTERIOR



3 HORIZONTAL CROSS SECTION
4 Outswing shown - Inswing also approved



Documents Prepared By:
 Lyndon F. Schmidt, P.E.
 TEXAS P.E. #104123

RW BUILDING CONSULTANTS, INC.
 P.O. Box 230 Vairco FL. 33595
 Phone No.: 813.659.9197

TEXAS BOARD OF PROFESSIONAL ENGINEERS
 CERTIFICATE OF REGISTRATION # F-11852

PRODUCT: R3 COMPOSITES

PART OR ASSEMBLY: HORIZONTAL CROSS SECTIONS

NO.	DATE	BY	REVISIONS

DATE: 7/20/15

SCALE: N.T.S.

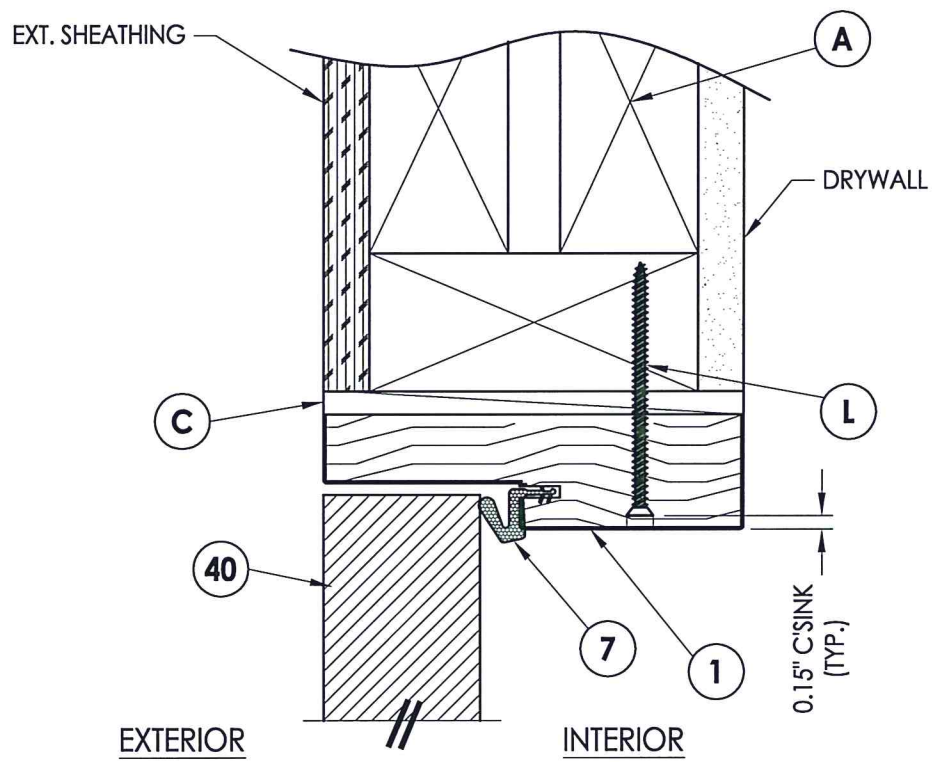
DWG. BY: JK

CHK. BY: LFS

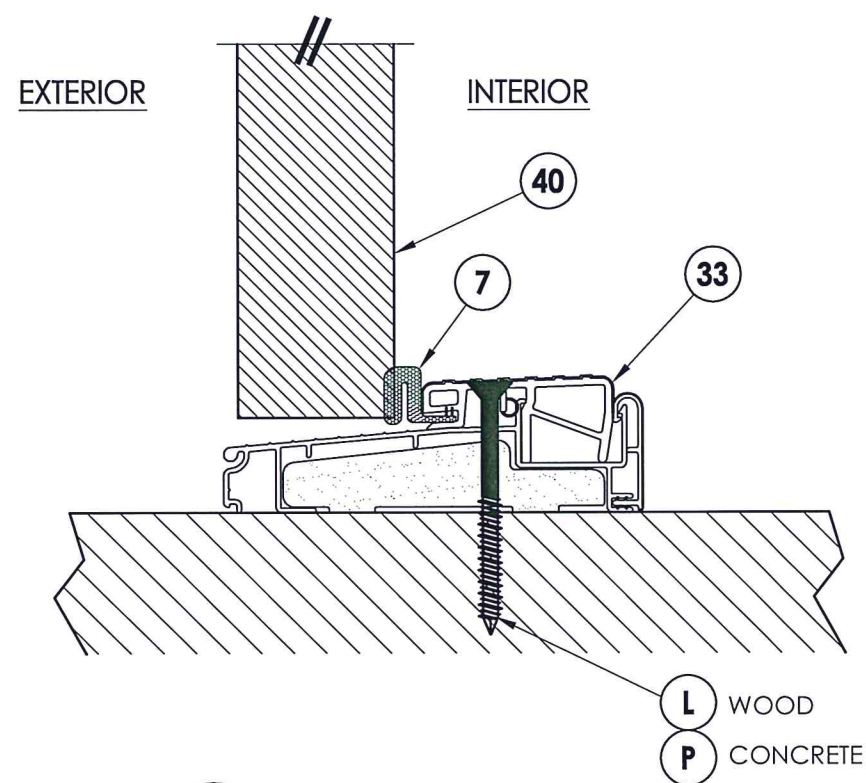
DRAWING NO.: TX-4556

SHEET 4 OF 8

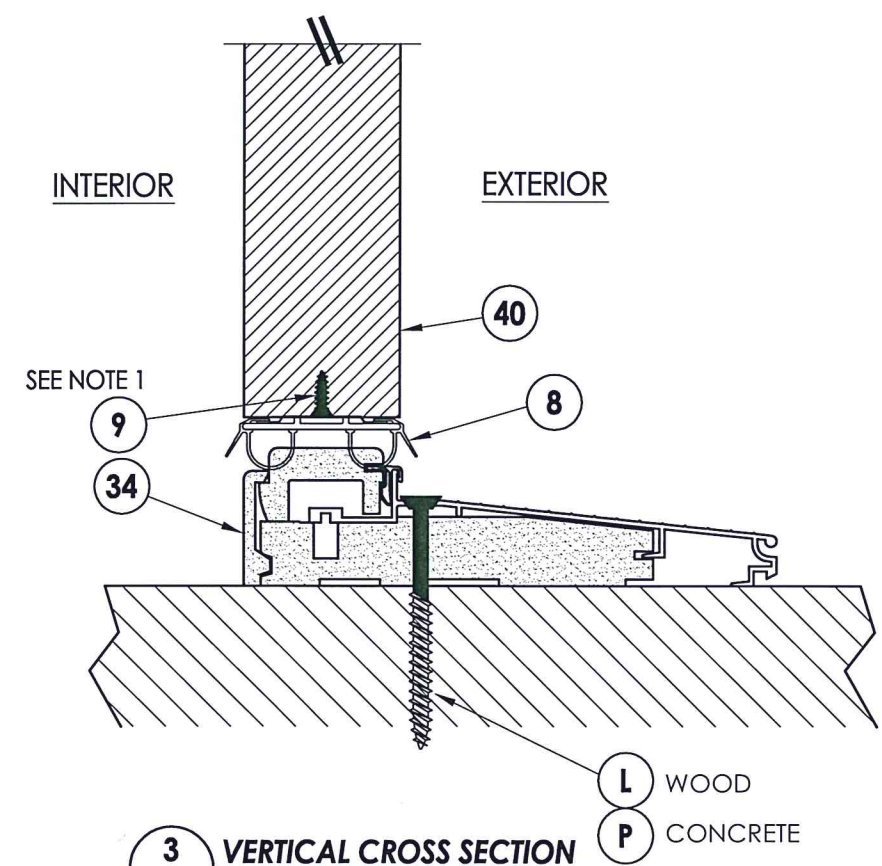
C:\Clients\R 3 Composites PERMANENT\Texas Dept of Ins\TDI - XXX\Drawings\Current\TX-4556.dwg, 5.7



1 VERTICAL CROSS SECTION
6 Outswing shown - inswing also approved

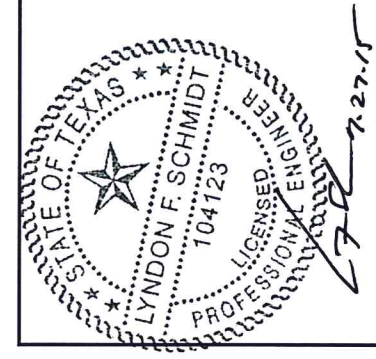


2 VERTICAL CROSS SECTION
6 Outswing configuration



3 VERTICAL CROSS SECTION
6 Inswing configuration

NOTE:
 1. Item #9 location, 2" from each end and 2 more equally space (4) total.



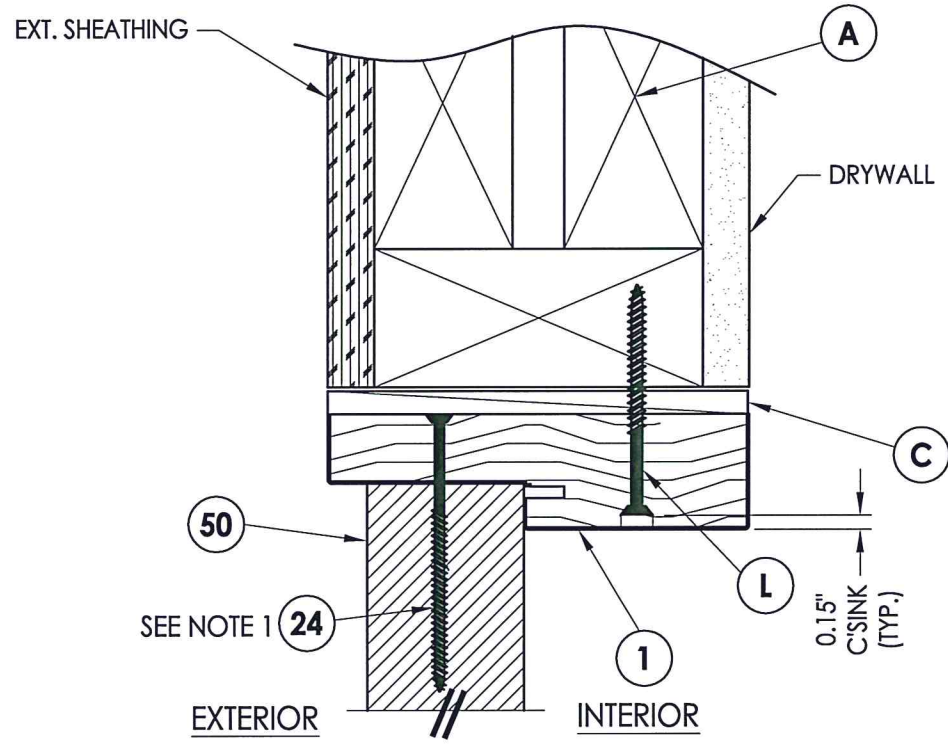
Documents Prepared By:
 Lyndon F. Schmidt, P.E.
 TEXAS P.E. #104123
RW BUILDING CONSULTANTS, INC.
 P.O. Box 230 Valrico FL, 33595
 Phone No.: 813.659.9197
 TEXAS BOARD OF PROFESSIONAL ENGINEERS
 CERTIFICATE OF REGISTRATION # F-11852

PRODUCT:	R3 COMPOSITES
PART OR ASSEMBLY:	VERTICAL CROSS SECTIONS

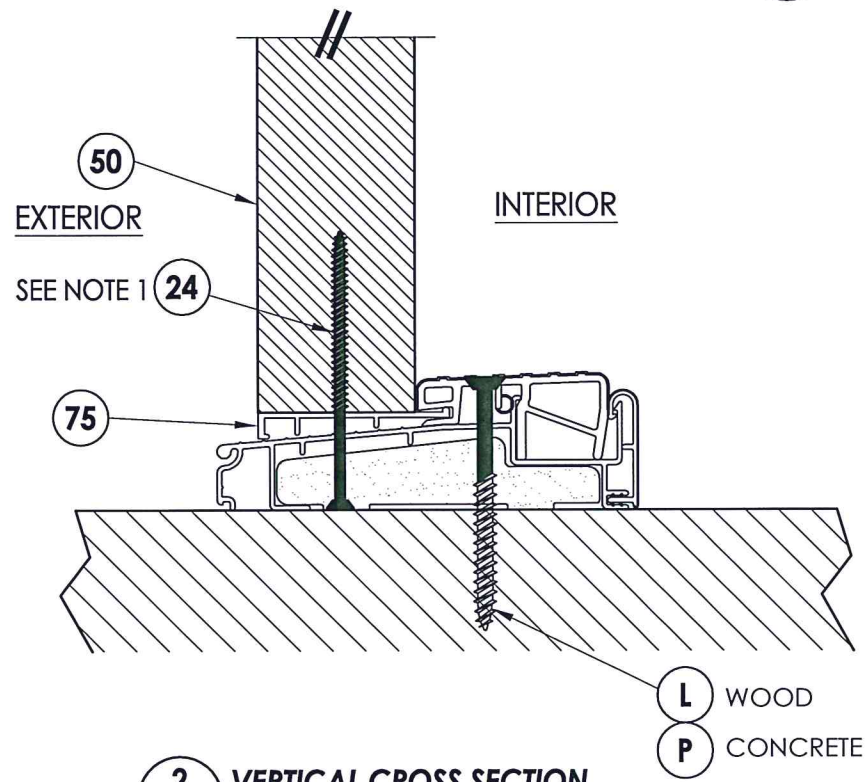
NO.	DATE	BY	REVISIONS

DATE: 7/20/15
 SCALE: N.T.S.
 DWG. BY: JK
 CHK. BY: LFS
 DRAWING NO.: TX-4556
 SHEET 5 OF 8

\\Clients\R 3 Composites PERMANENT\Texas Dept of Ins\TDI - XXX\Drawings\Current\TX-4556.dwg, 6.7



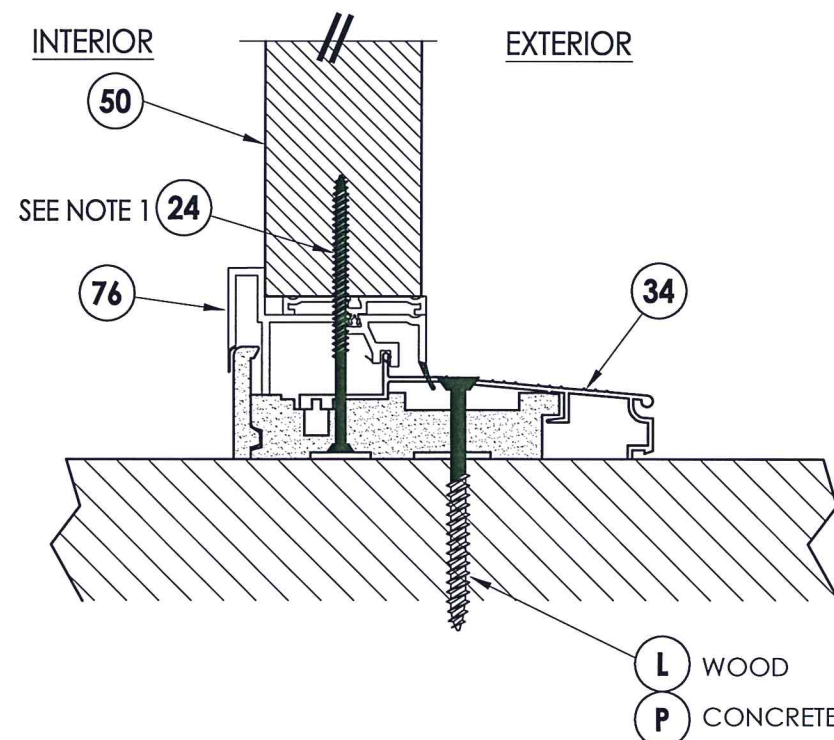
1 VERTICAL CROSS SECTION
7 Outswing shown - Inswing also approved



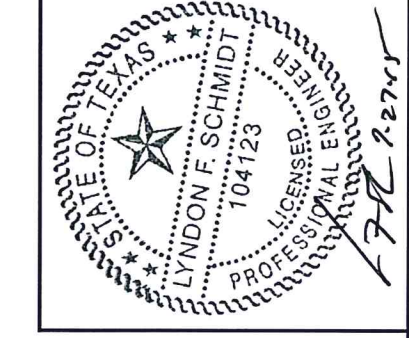
2 VERTICAL CROSS SECTION
7 Outswing shown

L WOOD
P CONCRETE

NOTE:
 1. Item #24 location, 2" from each end (2) total.



3 VERTICAL CROSS SECTION
7 Inswing shown



Documents Prepared By:
 Lyndon F. Schmidt, P.E.
 TEXAS P.E. #104123

RW BUILDING CONSULTANTS, INC.
 P.O. Box 230 Valrico FL, 33595
 Phone No.: 813.659.9197

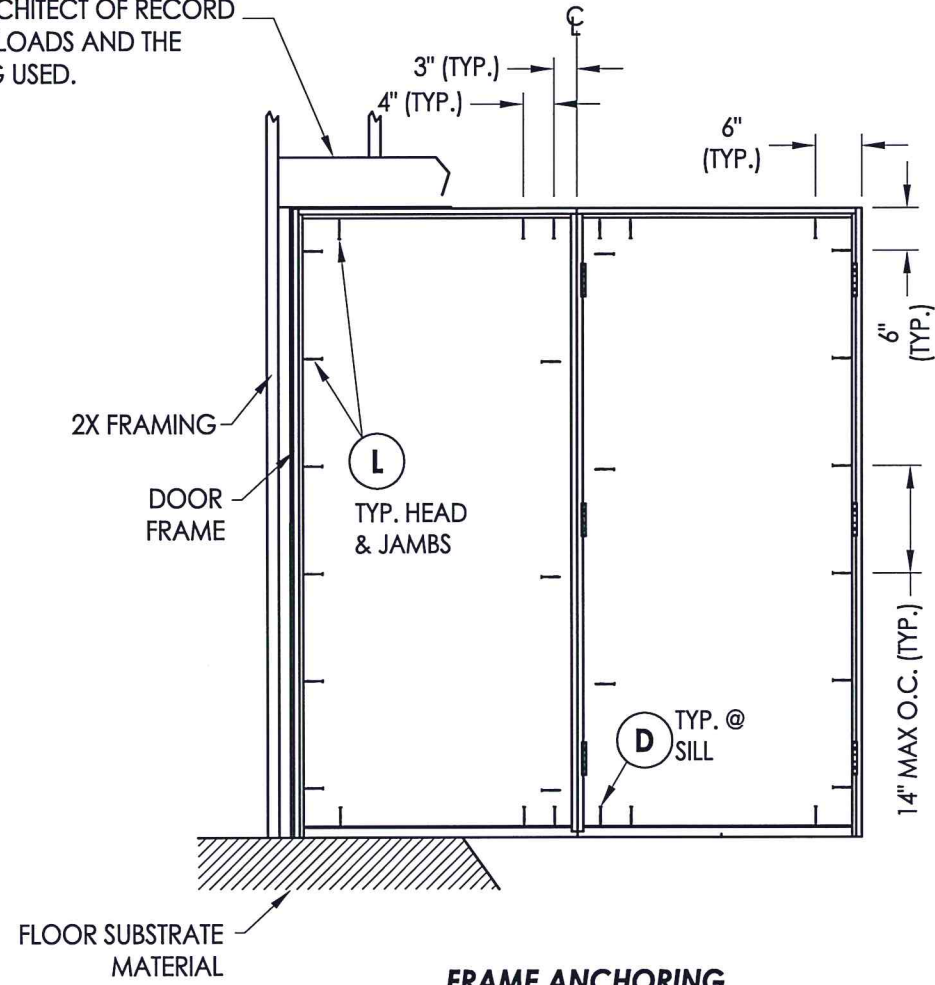
TEXAS BOARD OF PROFESSIONAL ENGINEERS
 CERTIFICATE OF REGISTRATION # F-11852

PRODUCT: R3 COMPOSITES
 PART OR ASSEMBLY: VERTICAL CROSS SECTIONS

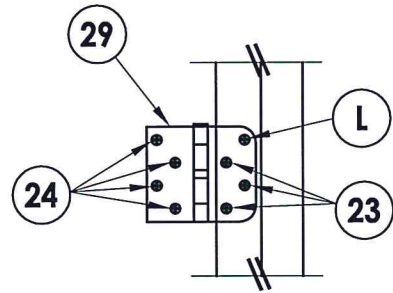
NO.	DATE	BY	REVISIONS

DATE: 7/20/15
 SCALE: N.T.S.
 DWG. BY: JK
 CHK. BY: LFS
 DRAWING NO.: TX-4556
 SHEET 6 OF 8

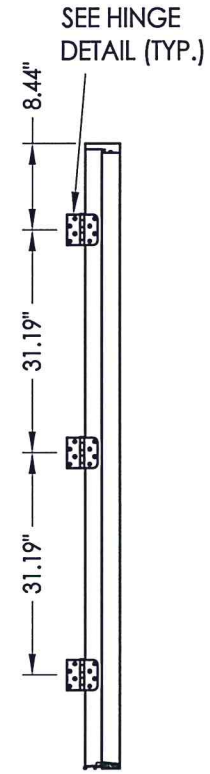
2X FRAMING TO BE DESIGNED BY THE ENGINEER OR ARCHITECT OF RECORD BASED ON WIND LOADS AND THE CLADDING BEING USED.



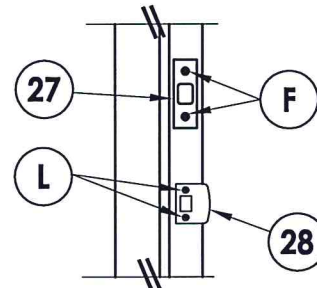
FRAME ANCHORING
OX / XO



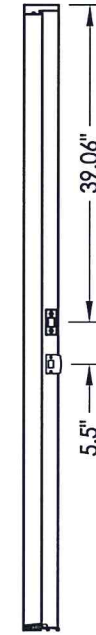
HINGE DETAIL



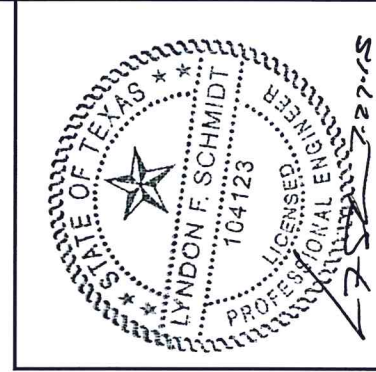
HINGE MULLION



LATCH AND DEADBOLT DETAIL



STRIKE MULLION



Lyndon F. Schmidt, P.E.
TEXAS P.E. #104123

RW BUILDING CONSULTANTS, INC.
P.O. Box 230 Valrico FL, 33595
Phone No.: 813.659.9197

TEXAS BOARD OF PROFESSIONAL ENGINEERS
CERTIFICATE OF REGISTRATION # F-11852

Documents Prepared By:

PRODUCT: R3 COMPOSITES

PART OR ASSEMBLY:

BUCK AND FRAME ANCHORING

NO.	DATE	BY

REVISIONS

DATE: 7/20/15

SCALE: N.T.S.

DWG. BY: JK

CHK. BY: LFS

DRAWING NO.:
TX-4556

SHEET 7 OF 8

C:\Clients\R 3 Composites\PERMANENT\Texas Dept. of Ins\TID - XXX\Drawings\Current\TX-4556.dwg, 8.7

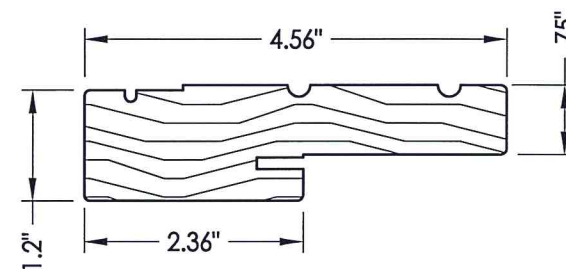
BILL OF MATERIALS

ITEM #	DESCRIPTION	MATERIAL
A	2X FRAMING (SG >= 0.42)	WOOD
C	1/4" MAX. SHIM SPACE	-
F	#8 X 2-1/2" PFH WOOD SCREW	STEEL
L	#10 X 2-1/2" PFH WOOD SCREW (1.15" MIN. EMB.)	STEEL
P	1/4" PFH CONCRETE SCREW (1-3/4" MIN. EMB.)	STEEL
1	JAMB - FINGER JOINTED PINE	WOOD
7	WEATHERSTRIP	FOAM
8	DOOR BOTTOM SWEEP WITH STEEL RETAINER	VINYL
9	#8 X 1/2" PFH WOOD SCREW	STEEL
10	CORRUGATED FASTENER (16 GA. 1.25" X .5")	STEEL
23	#10 X 3/4" PFH WOOD SCREW	STEEL
24	#9 X 3" PFH WOOD SCREW	STEEL
27	LATCH STRIKE PLATE	STEEL
28	DEADBOLT STRIKE PLATE	STEEL
29	4" X 4" HINGE	STEEL
33	OUTSWING THRESHOLD	ALUM. / WOOD
34	INSWING ADJUSTABLE THRESHOLD	ALUM. / WOOD
40	DOOR PANEL - SEE DOOR PANEL DETAIL SHEET FOR CONSTRUCTION DETAILS	-
50	SIDELITE PANEL - SEE SIDELITE PANEL DETAIL SHEET FOR CONSTRUCTION DETAILS	-
75	OUTSWING SIDELITE ADAPTOR	PVC
76	INSWING SIDELITE ADAPTOR	PVC

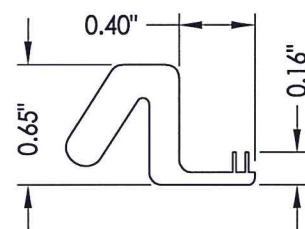
CONCRETE ANCHOR NOTES:

- Concrete anchor locations at the corners may be adjusted to maintain the min. edge distance to mortar joints.
- Concrete anchor locations noted as "MAX. ON CENTER" must be adjusted to maintain the min. edge distance to mortar joints, additional concrete anchors may be required to ensure the "MAX. ON CENTER" dimension are not exceeded.
- Concrete anchor table:

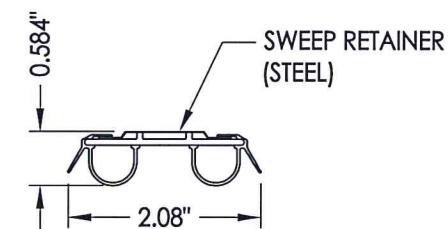
ANCHOR TYPE	ANCHOR SIZE	MIN. EMBEDMENT	MIN. CLEARANCE TO MASONRY EDGE	MIN. CLEARANCE TO ADJACENT ANCHOR
ITW TAPCON	1/4"	1-3/4"	1-1/2"	4"
ELCO ULTRACON	1/4"	1-3/4"	1"	4"



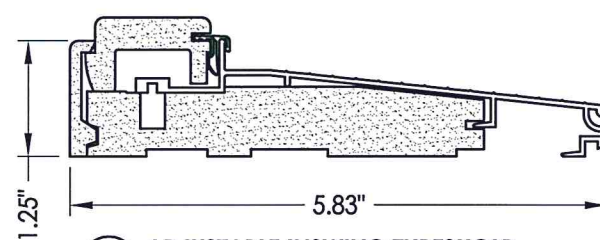
2 WOOD JAMB



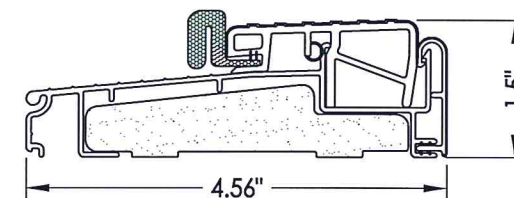
7 WEATHERSTRIP
Endura Force 5



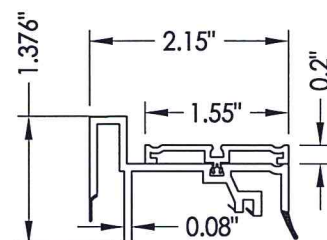
8 DOOR BOTTOM SWEEP



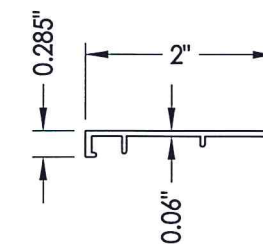
34 ADJUSTABLE INSWING THRESHOLD
By Endura



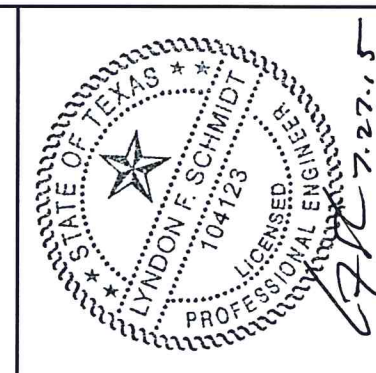
33 OUTSWING THRESHOLD
By Endura



76 INSWING SIDELITE ADAPTOR



75 OUTSWING SIDELITE ADAPTOR



Documents Prepared By:
Lyndon F. Schmidt, P.E.
TEXAS P.E. #104123

RW BUILDING CONSULTANTS, INC.
P.O. Box 230 Valrico FL. 33595
Phone No.: 813.659.9197

TEXAS BOARD OF PROFESSIONAL ENGINEERS
CERTIFICATE OF REGISTRATION # F-11852

PRODUCT:	R3 COMPOSITES
PART OR ASSEMBLY:	BILL OF MATERIALS AND COMPONENTS

NO.	DATE	BY	REVISIONS

DATE: 7/20/15
SCALE: N.T.S.
DWG. BY: JK
CHK. BY: LFS
DRAWING NO.: TX-4556
SHEET 8 OF 8