



By **R3Composites**  
 14123 Roth Road  
 Grabill, IN 46741

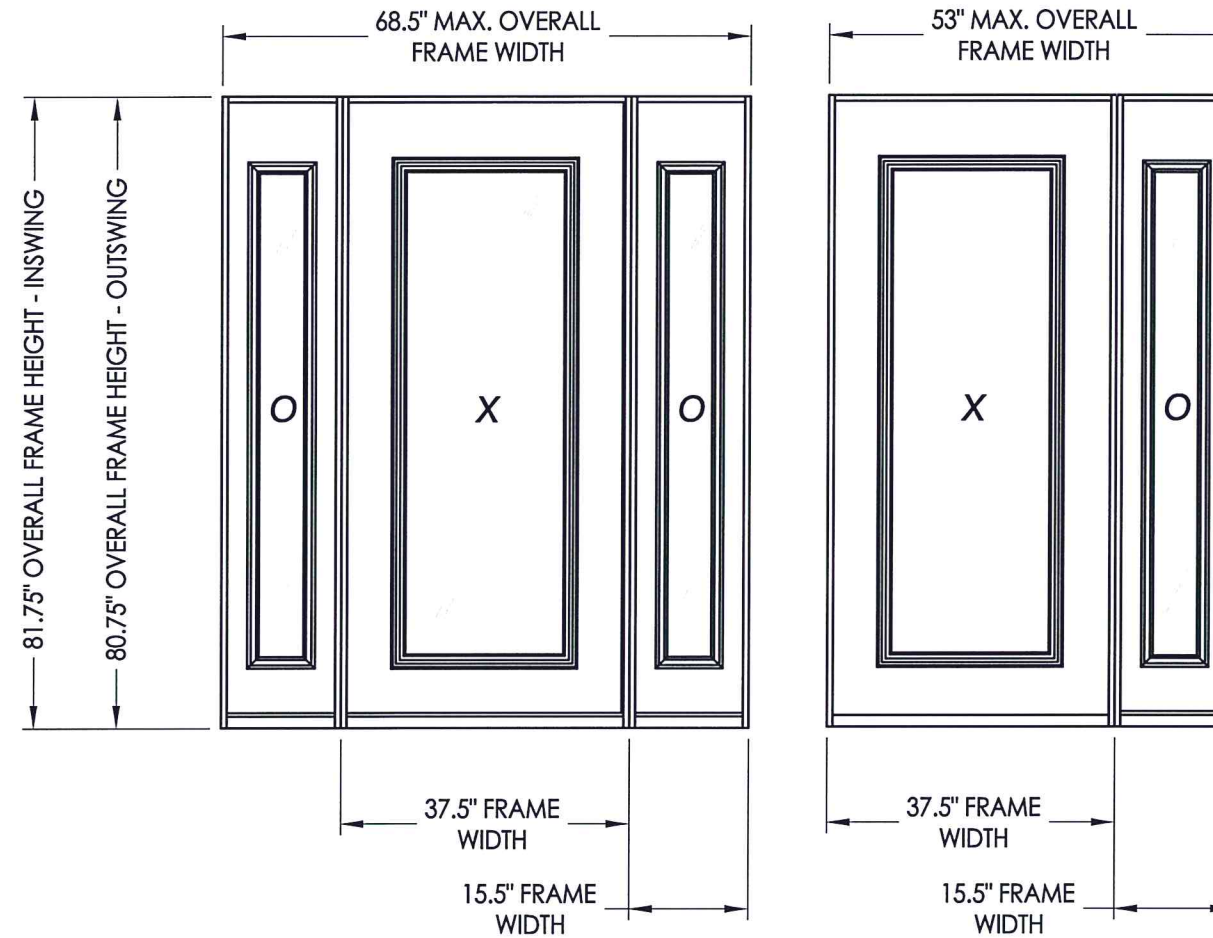
## Nicolette Glazed Fiberglass Door INSWING "NON-IMPACT"

**EVALUATED FOR USE IN THE STATE OF TEXAS**

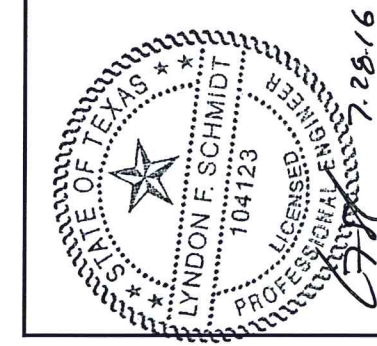
The Fiberglass Door described herein complies with the 2006 International Residential Code (IRC), Sections R301 & R613 and the 2006 International Building Code (IBC), Sections 1405.12, 1609, 1714.5, 2403 and 2404 (including Texas revisions) subject to the following conditions:

1. Anchors shall be as listed and spaced as shown in the details. Anchor embedment to base material shall be beyond wall dressing or stucco.
2. When used in areas requiring wind-borne debris protection this product is required to be protected with an impact resistant covering that complies with Section R301.2.1.2 of the IRC and Section 1609.1.2 of the IBC.
3. Allowable design pressure requirements must be equal to or less than the design pressure rating shown in the design pressure chart, sheet 1 of this drawing.
4. Conditions not covered by this drawing are subject to further engineering analysis.

TABLE OF CONTENTS	
SHEET#	DESCRIPTION
1	Typical elevations, design pressures & general notes
2	Door panel details
3	Sidelite panel details and glazing detail
4	Elevations
5	Horizontal cross sections
6	Vertical cross sections
7	Frame anchoring
8	Bill of materials and components



CONFIGURATION	MAX. FRAME DIMENSION	MAX. SIDELITE D.L.O. DIMENSION	DESIGN PRESSURE (PSF) INSWING	
			POSITIVE	NEGATIVE
OX or XO	53.0" x 81.75"	7.06" X 63.06"	+50.0	-55.0
OXO	68.5" x 81.75"	7.06" X 63.06"	+50.0	-55.0



Lyndon F. Schmidt, P.E.  
 TEXAS P.E. #104123

**R3 BUILDING CONSULTANTS, INC.**  
 P.O. Box 230 Valrico FL 33595  
 Phone No.: 813.659.9197

TEXAS BOARD OF PROFESSIONAL ENGINEERS  
 CERTIFICATE OF REGISTRATION # F-11852

Documents Prepared By:

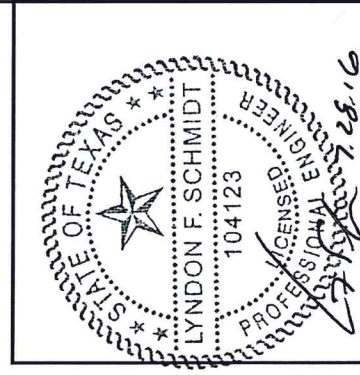
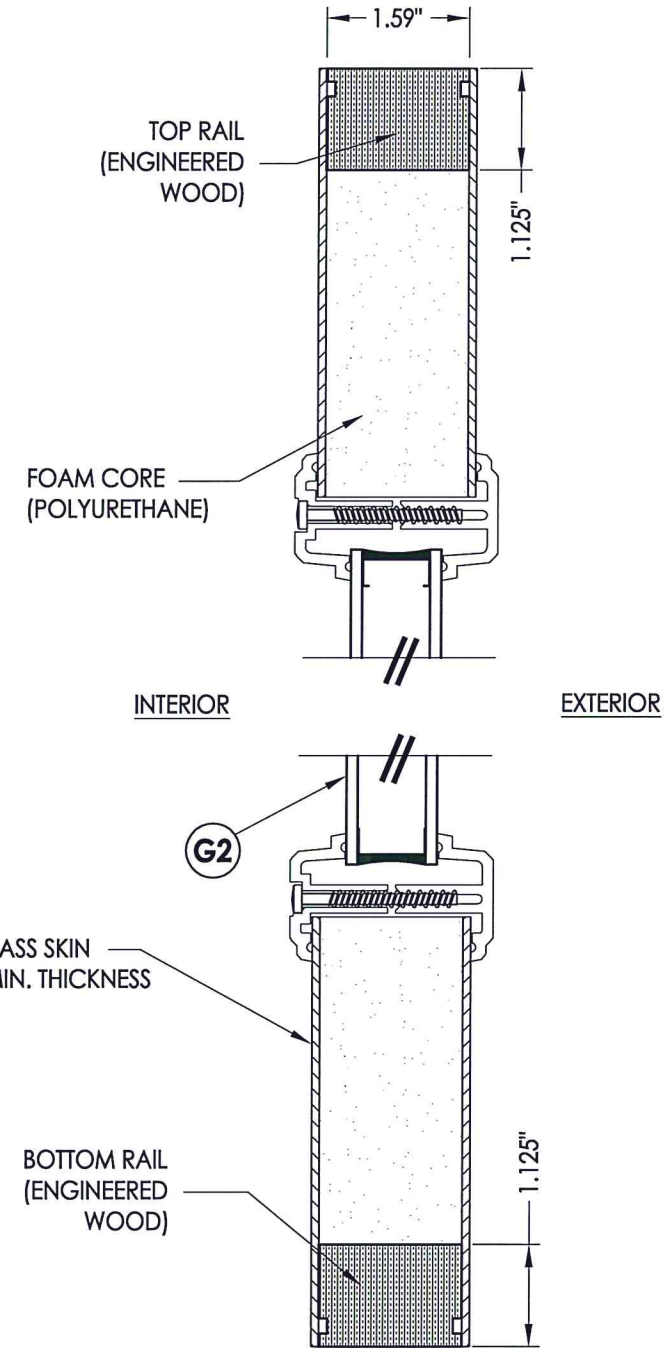
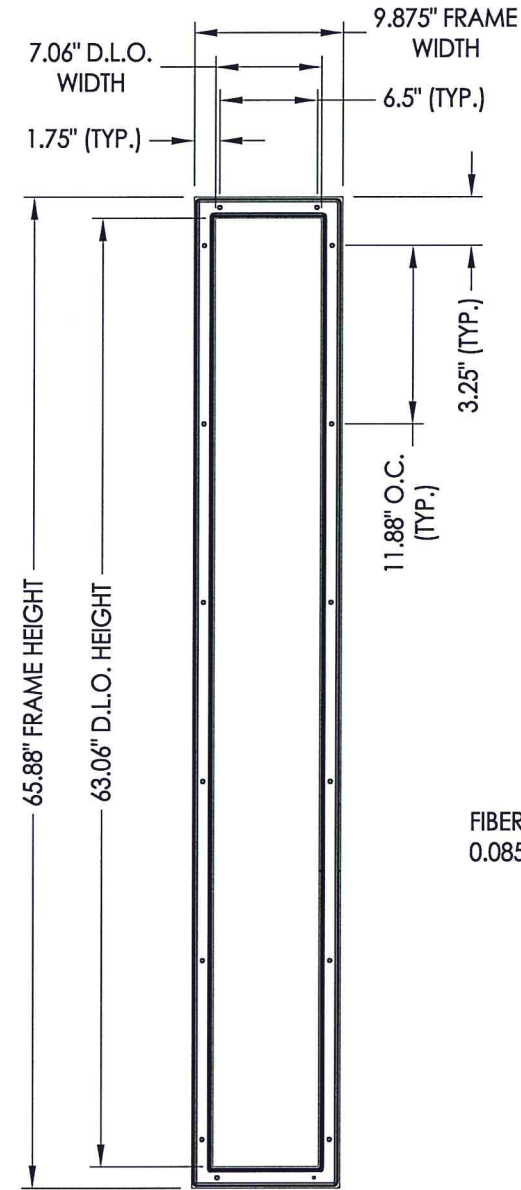
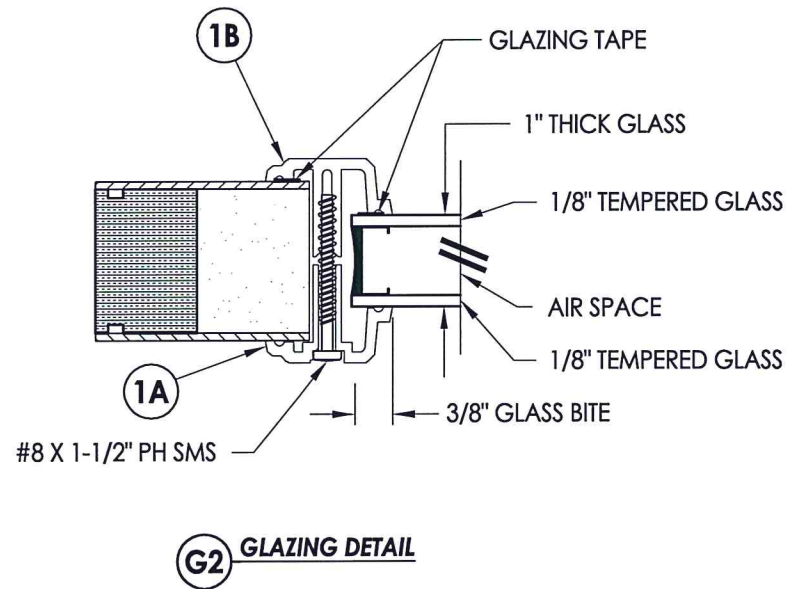
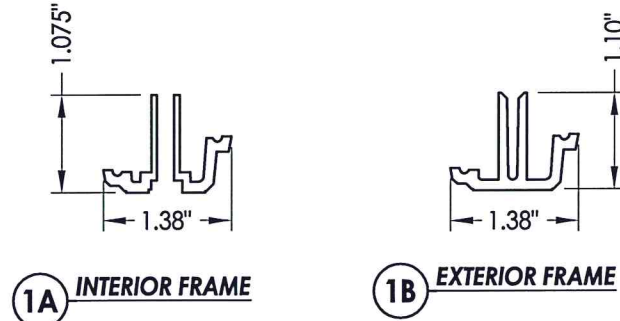
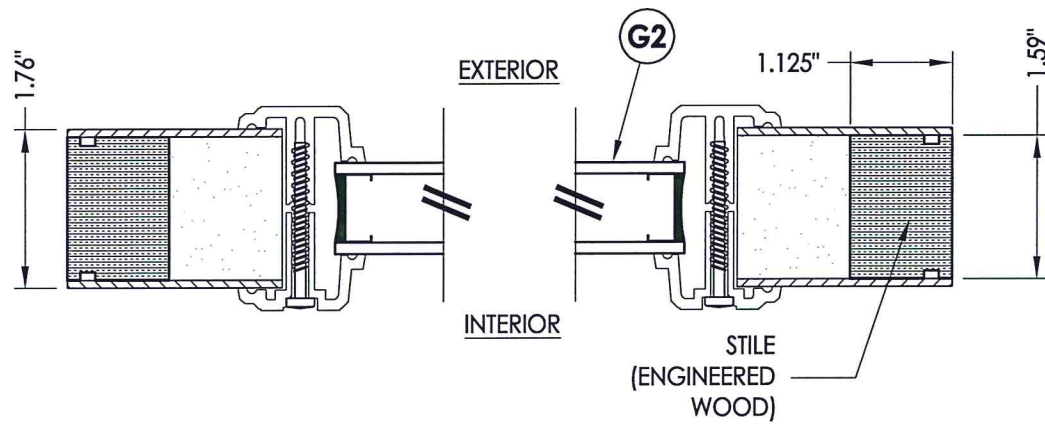
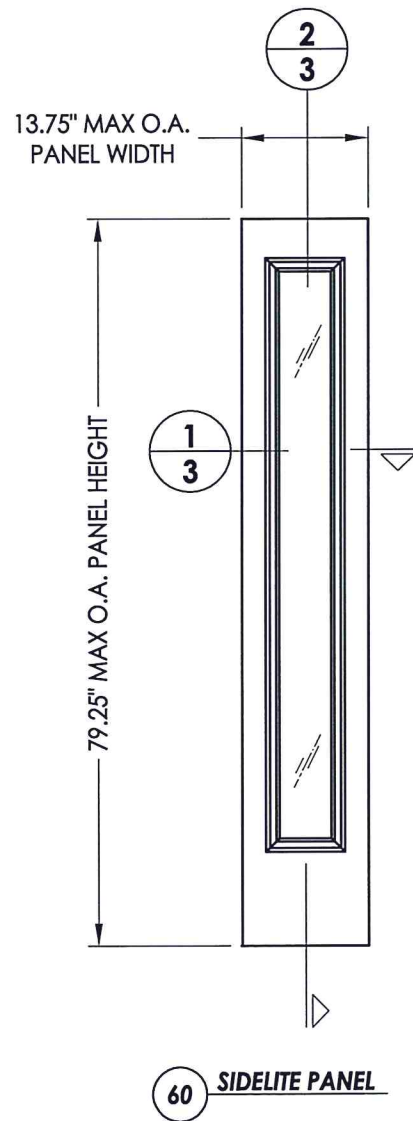
PRODUCT:  
 R3 COMPOSITES

PART OR ASSEMBLY:  
 TYPICAL ELEVATION, DESIGN PRESSURES & GENERAL NOTES

NO.	DATE	BY	REVISIONS

DATE: 7/20/15  
 SCALE: N.T.S.  
 DWG. BY: JK  
 CHK. BY: LFS  
 DRAWING NO.: TX-4554  
 SHEET 1 OF 8





Lyndon F. Schmidt, P.E.  
TEXAS P.E. #104123

**RW** BUILDING CONSULTANTS, INC.  
P.O. Box 230 Valrico FL. 33595  
Phone No.: 813.659.9197

TEXAS BOARD OF PROFESSIONAL ENGINEERS  
CERTIFICATE OF REGISTRATION # F-11852

Documents Prepared By:

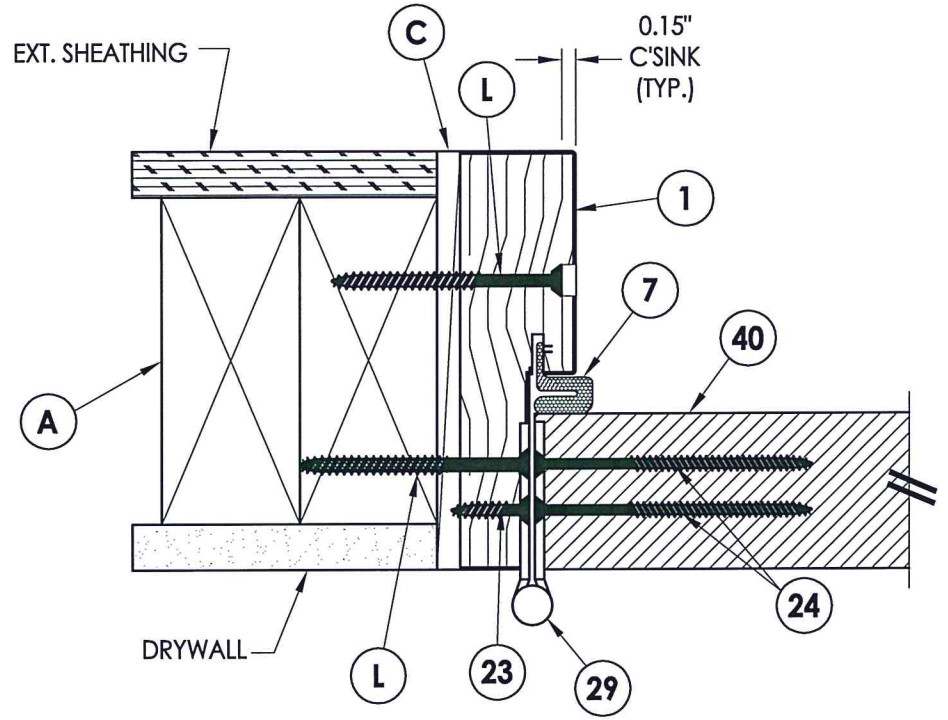
PRODUCT: R3 COMPOSITES  
PART OR ASSEMBLY: SIDELITE PANEL DETAILS AND GLAZING DETAIL

NO.	DATE	BY	REVISIONS

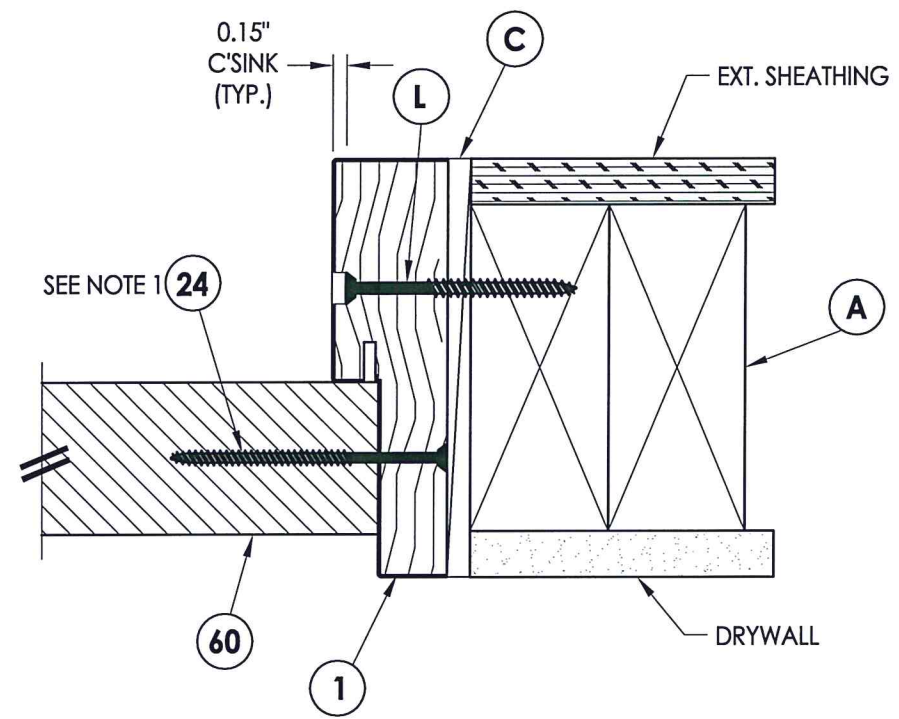
DATE: 7/20/15  
SCALE: N.T.S.  
DWG. BY: JK  
CHK. BY: LFS  
DRAWING NO.: TX-4554  
SHEET 3 OF 8



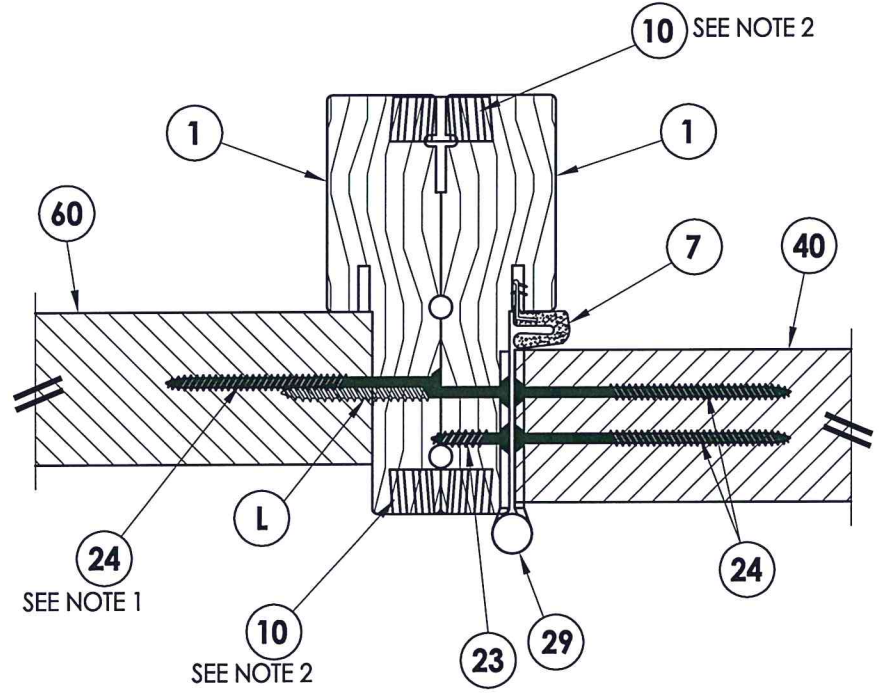
R:\Clients\R 3 Composites PERMANENT\B - Texas Dept of Ins\6'8 Glazed Fiberglass Door\C - Drawings\TX-4554-55.dwg, 5.1



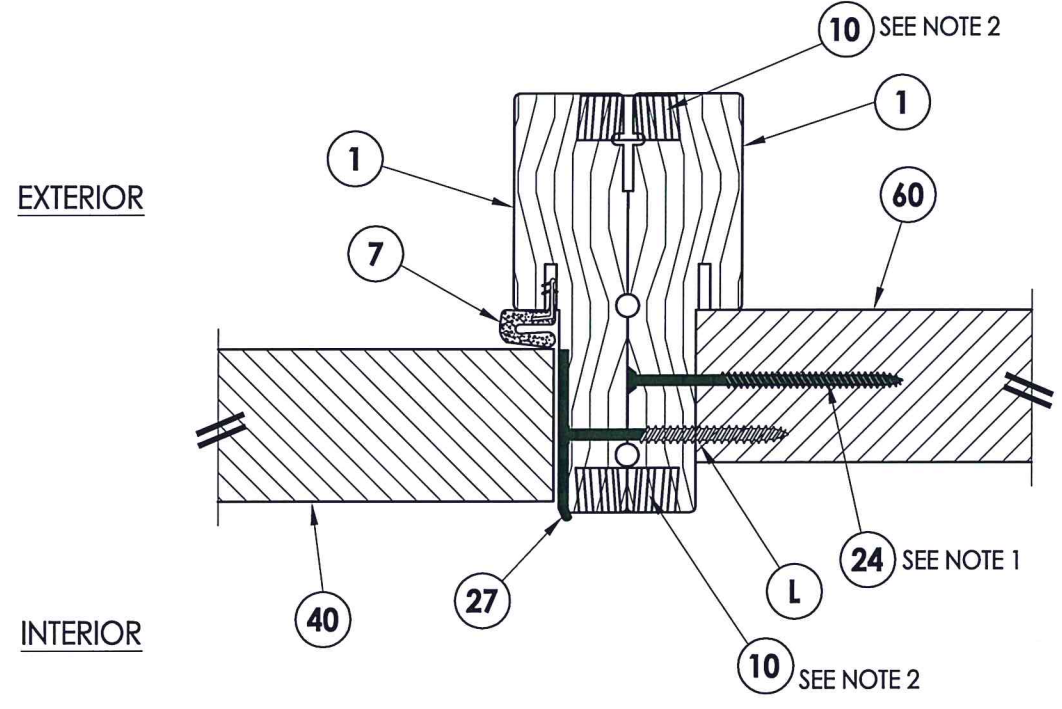
**1** HORIZONTAL CROSS SECTION  
**5** Inswing shown



**4** HORIZONTAL CROSS SECTION  
**5** Inswing shown

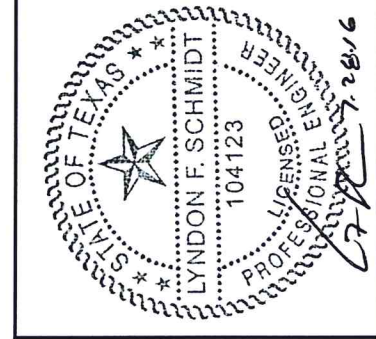


**2** HORIZONTAL CROSS SECTION  
**5** Inswing shown



**3** HORIZONTAL CROSS SECTION  
**5** Inswing shown

NOTE:  
1. Location for item #24 is 1 at the center jamb (1) total.  
2. Location for item #10 is 2" from each end then 8 more equally spaced (10) total.

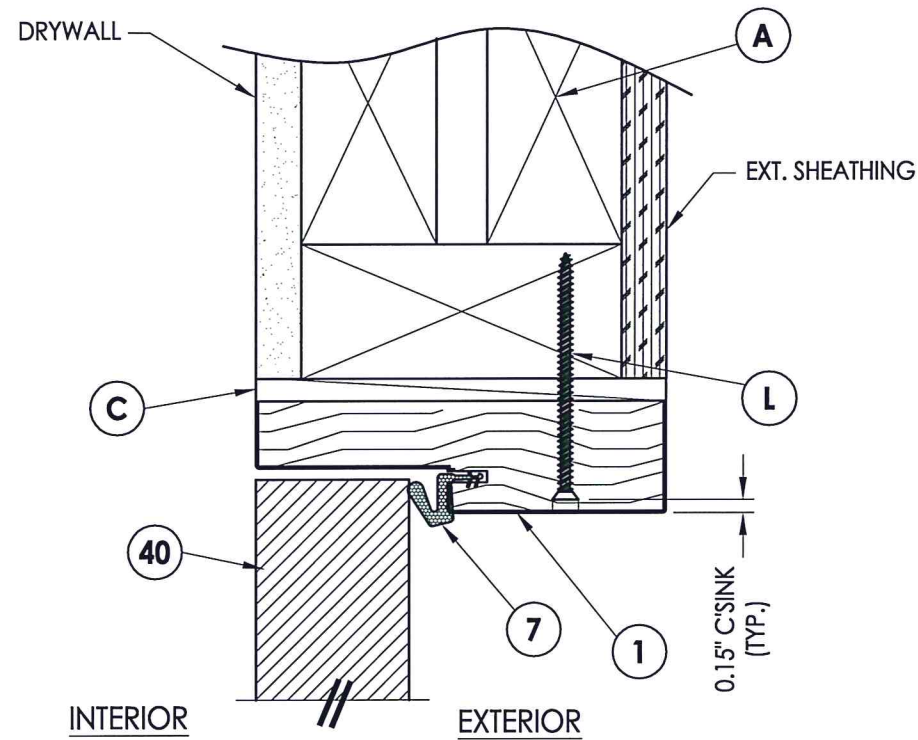


Lyndon F. Schmidt, P.E.  
TEXAS P.E. #104123  
**RW** BUILDING CONSULTANTS, INC.  
P.O. Box 230 Valrico FL 33595  
Phone No.: 813.659.9197  
TEXAS BOARD OF PROFESSIONAL ENGINEERS  
CERTIFICATE OF REGISTRATION # F-11852

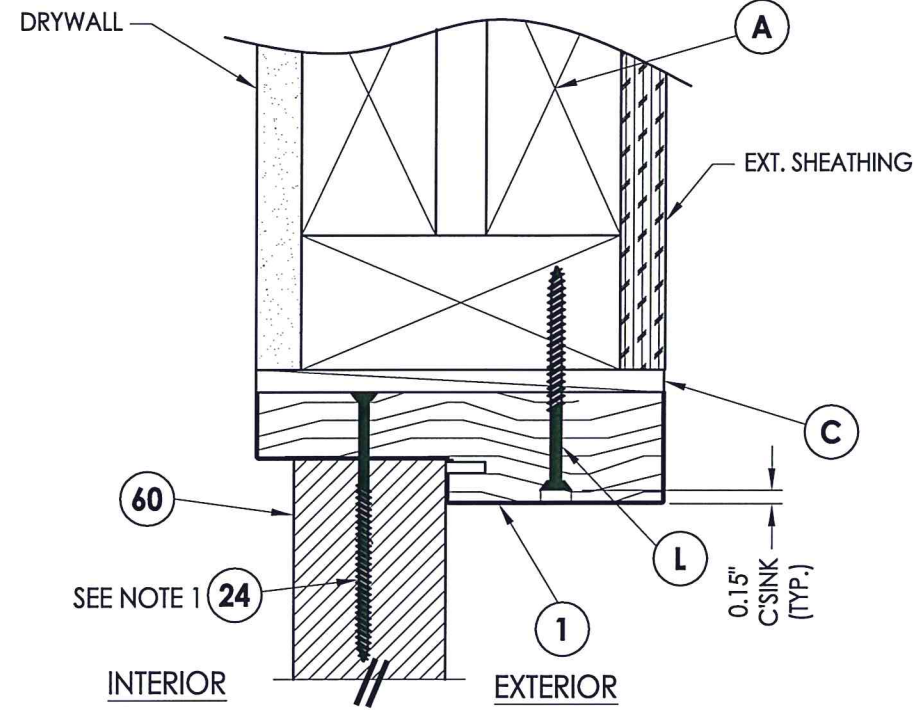
Documents Prepared By:  
**PRODUCT:** R3 COMPOSITES  
**PART OR ASSEMBLY:** HORIZONTAL CROSS SECTIONS

NO.	DATE	BY

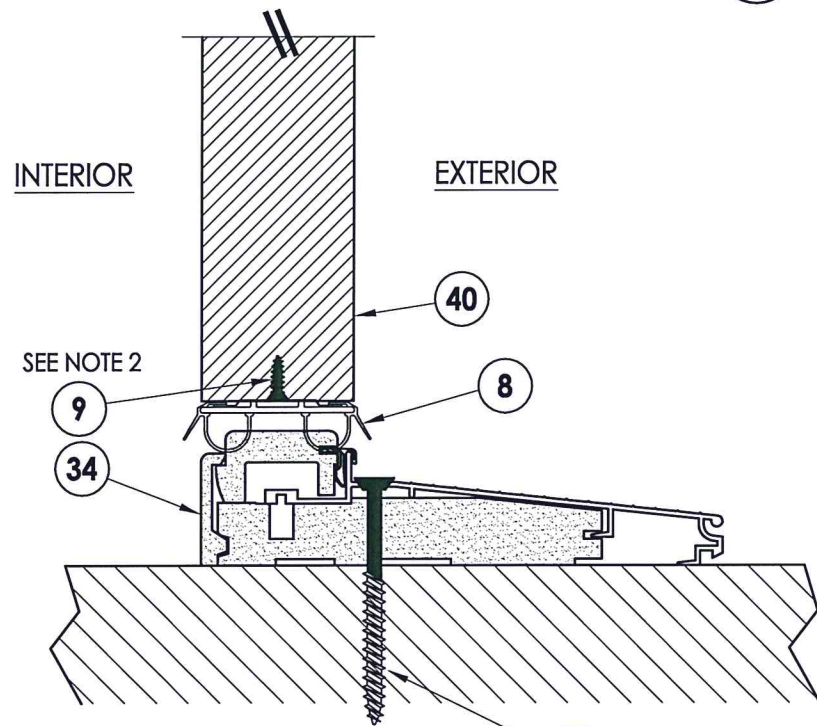
DATE: 7/20/15  
SCALE: N.T.S.  
DWG. BY: JK  
CHK. BY: LFS  
DRAWING NO.: TX-4554  
SHEET 5 OF 8



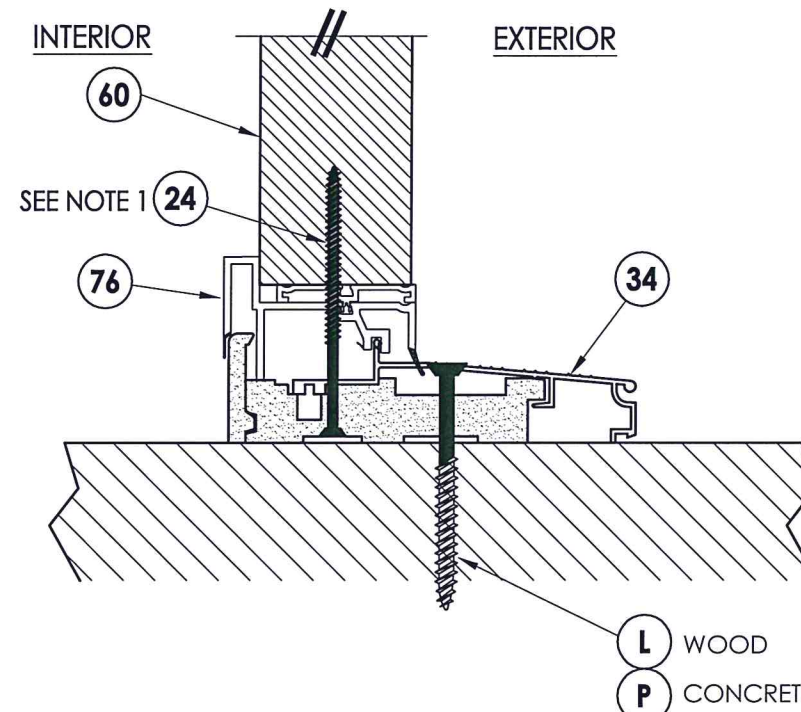
**1** VERTICAL CROSS SECTION  
**6** Inswing shown



**2** VERTICAL CROSS SECTION  
**6** Inswing shown



**3** VERTICAL CROSS SECTION  
**6** Inswing configuration

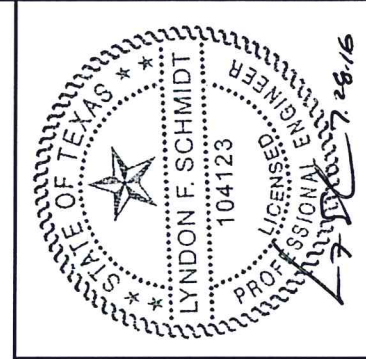


**4** VERTICAL CROSS SECTION  
**6** Inswing configuration

NOTES:  
1. Location for item #24 is 1 at the center jamb (1) total.  
2. Item #9 location, 2" from each end and 2 more equally space (4) total.

**L** WOOD  
**P** CONCRETE

**L** WOOD  
**P** CONCRETE



Lyndon F. Schmidt, P.E.  
TEXAS P.E. #104123

Documents Prepared By:

**RW** BUILDING CONSULTANTS, INC.  
P.O. Box 230 Valrico FL, 33595  
Phone No.: 813.659.9197

TEXAS BOARD OF PROFESSIONAL ENGINEERS  
CERTIFICATE OF REGISTRATION # F-11852

PRODUCT:	R3 COMPOSITES
PART OR ASSEMBLY:	VERTICAL CROSS SECTIONS

NO.	DATE	BY	REVISIONS

DATE:	7/20/15
SCALE:	N.T.S.
DWG. BY:	JK
CHK. BY:	LFS
DRAWING NO.:	TX-4554
SHEET	6 OF 8



