



By **R3Composites**  
 14123 Roth Road  
 Grabill, IN 46741

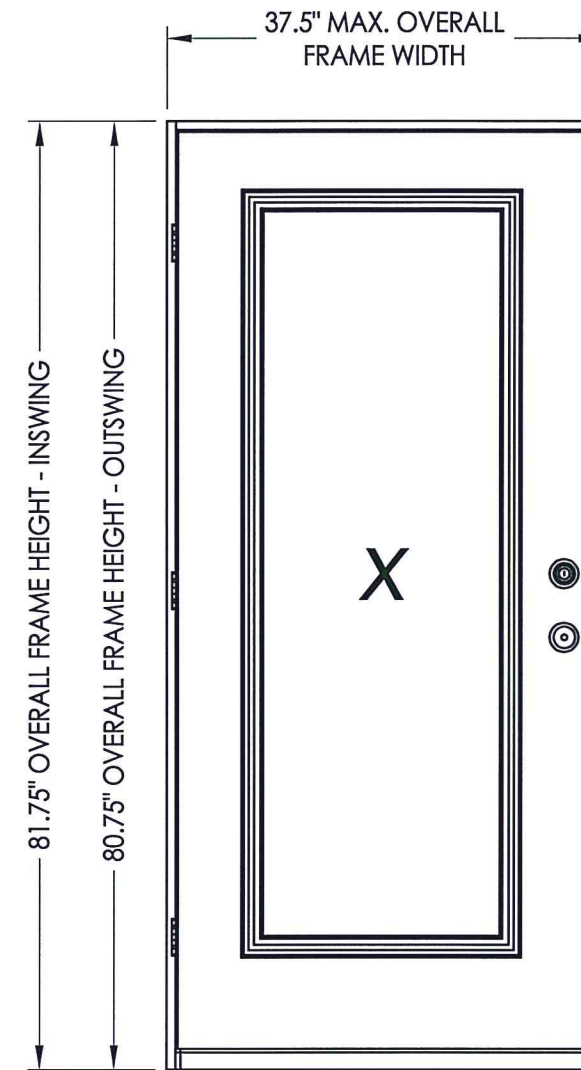
## Nicolette Glazed Fiberglass Door INSWING / OUTSWING "NON-IMPACT"

**EVALUATED FOR USE IN THE STATE OF TEXAS**

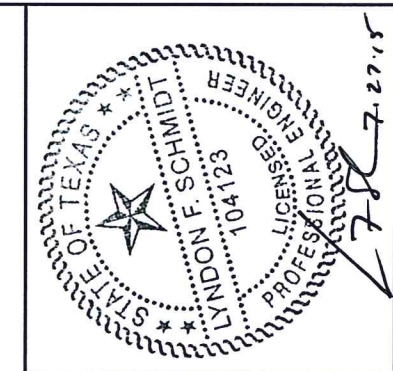
The Fiberglass Door described herein complies with the 2006 International Residential Code (IRC), Sections R301 & R613 and the 2006 International Building Code (IBC), Sections 1405.12, 1609, 1714.5, 2403 and 2404 (including Texas revisions) subject to the following conditions:

1. Anchors shall be as listed and spaced as shown in the details. Anchor embedment to base material shall be beyond wall dressing or stucco.
2. When used in areas requiring wind-borne debris protection this product is required to be protected with an impact resistant covering that complies with Section R301.2.1.2 of the IRC and Section 1609.1.2 of the IBC.
3. Allowable design pressure requirements must be equal to or less than the design pressure rating shown in the design pressure chart, sheet 1 of this drawing.
4. Conditions not covered by this drawing are subject to further engineering analysis.

| TABLE OF CONTENTS |  |
|-------------------|--|
| SHEET #           | DESCRIPTION  |
| 1                 | Typical elevation, design pressures, & general notes |
| 2                 | Door panel details and glazing detail                |
| 3                 | Horizontal cross sections                            |
| 4                 | Vertical cross sections                              |
| 5                 | Frame anchoring                                      |
| 6                 | Bill of materials & components                       |



| MAX. FRAME DIMENSION  | MAX. D.L.O. DIMENSION  | DESIGN PRESSURE (PSF) INSWING |              | DESIGN PRESSURE (PSF) OUTSWING |              |
|-----------------------|------------------------|-------------------------------|--------------|--------------------------------|--------------|
|                       |                        | POSITIVE                      | NEGATIVE     | POSITIVE                       | NEGATIVE     |
| <b>37.5" x 81.75"</b> | <b>20.88" X 62.88"</b> | <b>+50.0</b>                  | <b>-55.0</b> | <b>+50.0</b>                   | <b>-50.0</b> |



Documents Prepared By:  
 Lyndon F. Schmidt, P.E.  
 TEXAS P.E. #104123

*RW*  
 BUILDING CONSULTANTS, INC.  
 P.O. Box 230 Valrico FL 33595  
 Phone No.: 813.659.9197

TEXAS BOARD OF PROFESSIONAL ENGINEERS  
 CERTIFICATE OF REGISTRATION # P-11852

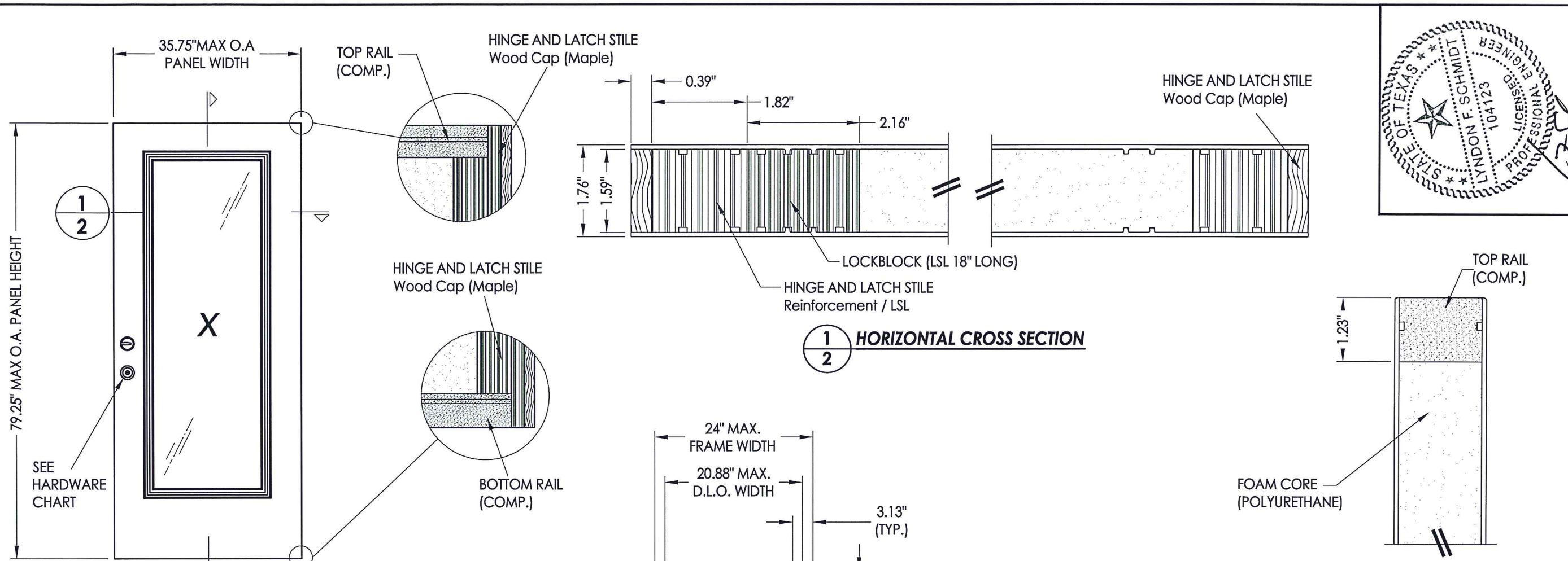
PRODUCT: **R3 COMPOSITES**

PART OR ASSEMBLY: **TYPICAL ELEVATION, DESIGN PRESSURES & GENERAL NOTES**

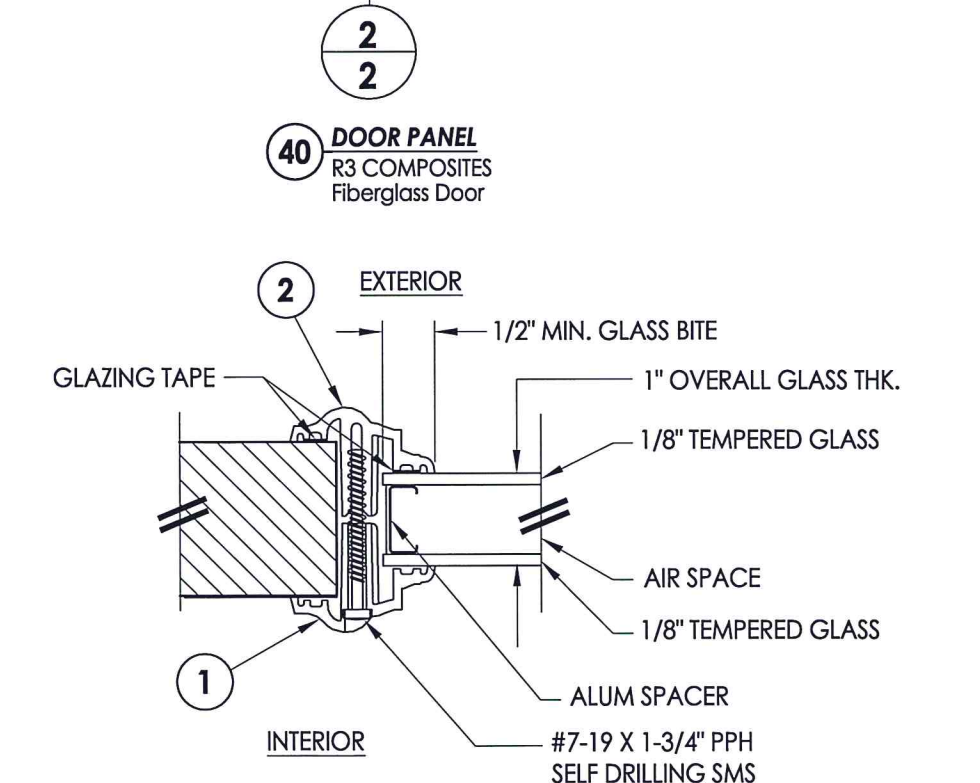
| NO. | DATE | BY | REVISIONS |
|-----|------|----|-----------|
|     |      |    |           |
|     |      |    |           |
|     |      |    |           |

DATE: 7/20/15  
 SCALE: N.T.S.  
 DWG. BY: JK  
 CHK. BY: LFS  
 DRAWING NO.: TX-4553  
 SHEET 1 OF 6

R:\Clients\R 3 Composites PERMANENT\Texas Dept of Ins\TDI - XXX\Drawings\Current\TX-4553.dwg, 1-2

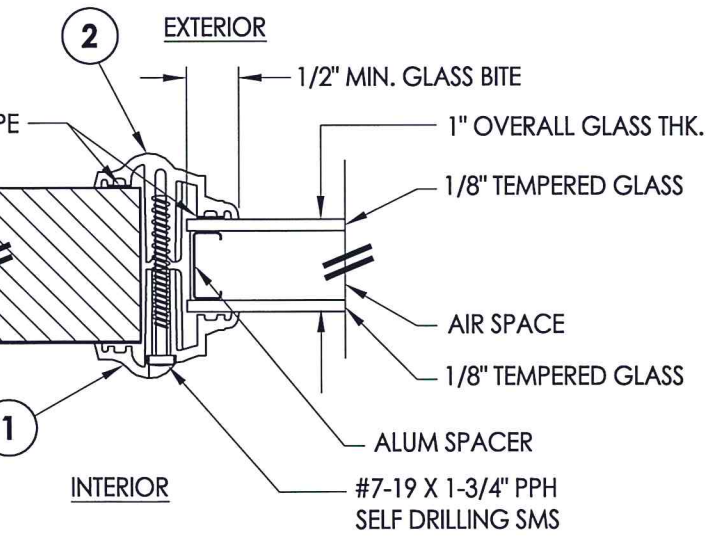


**1**  
**2** HORIZONTAL CROSS SECTION

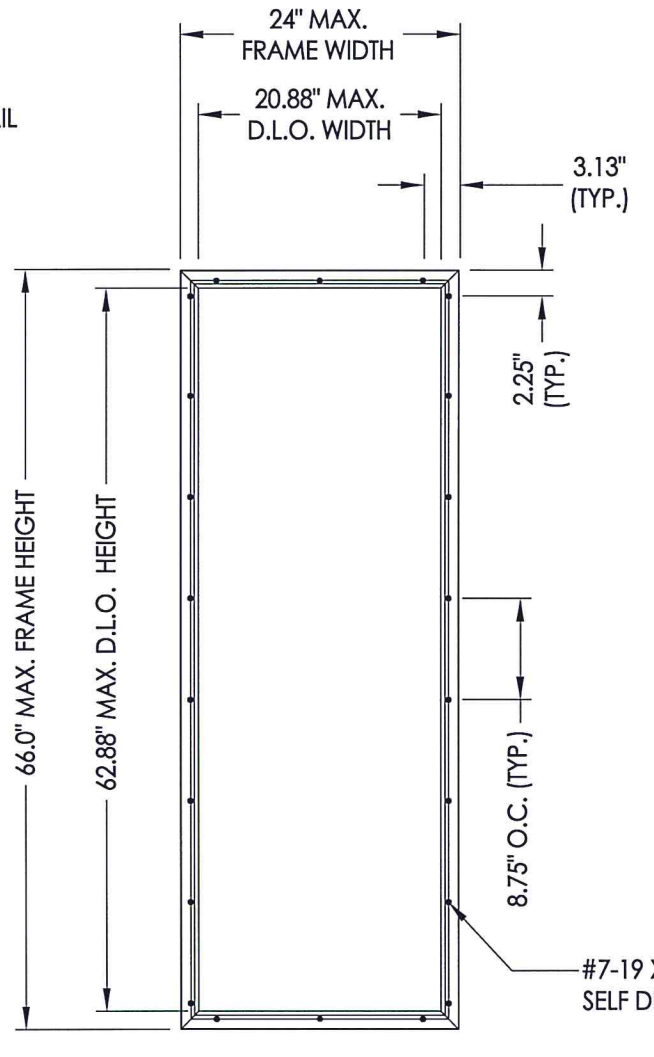


**2**  
**2** VERTICAL CROSS SECTION

**40** DOOR PANEL  
R3 COMPOSITES  
Fiberglass Door

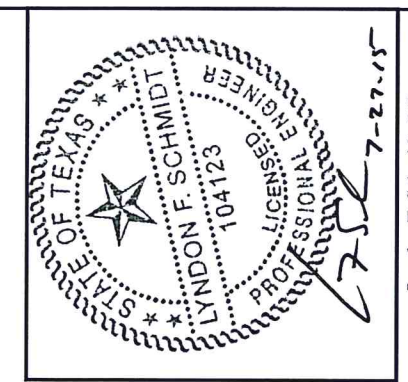


**G1** GLAZING DETAIL  
EVOLVE FRAME (1\"/>



EVOLVE FRAME SYSTEM  
HP Polypropylene

| HARDWARE TABLE |           |              |
|----------------|-----------|--------------|
| MANUFACTURER   | MODEL     |              |
| KWIKSET        | KNOB:     | SERIES (400) |
|                | DEADBOLT: | SERIES (660) |
| SCHLAGE        | KNOB:     | F51          |
|                | DEADBOLT: | B60N         |



Documents Prepared By:  
Lyndon F. Schmidt, P.E.  
TEXAS P.E. #104123

RW BUILDING CONSULTANTS, INC.  
P.O. Box 230 Valrico FL, 33595  
Phone No.: 813.659.9197

TEXAS BOARD OF PROFESSIONAL ENGINEERS  
CERTIFICATE OF REGISTRATION # F-11852

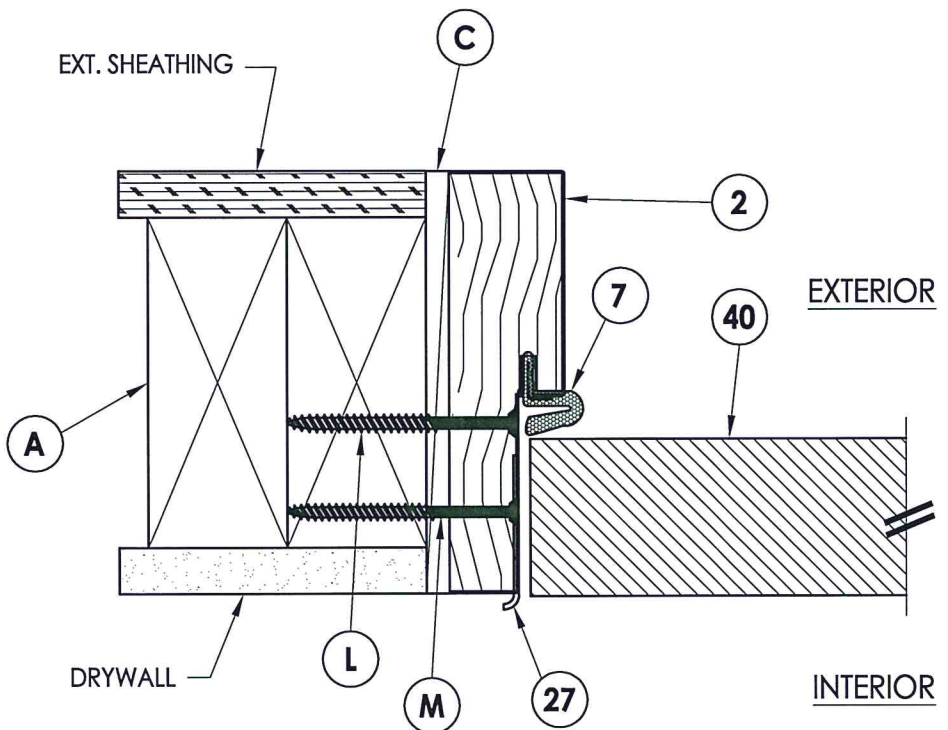
PRODUCT:  
R3 COMPOSITES

PART OR ASSEMBLY:  
DOOR PANEL DETAILS  
AND GLAZING DETAIL

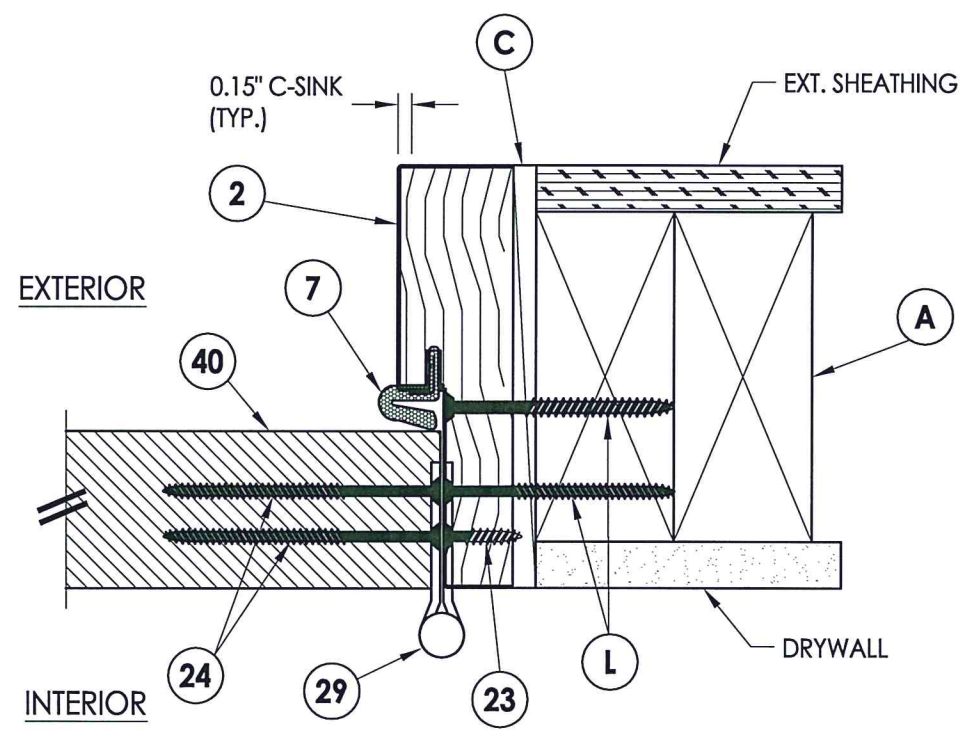
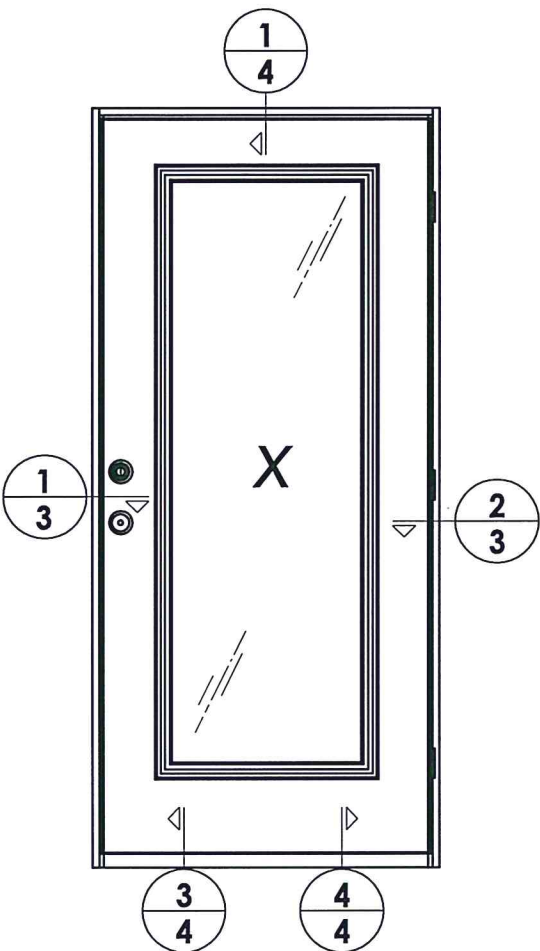
| NO. | DATE | BY |
|-----|------|----|
|     |      |    |
|     |      |    |
|     |      |    |
|     |      |    |

DATE: 7/20/15  
SCALE: N.T.S.  
DWG. BY: JK  
CHK. BY: LFS  
DRAWING NO.: TX-4553  
SHEET 2 OF 6

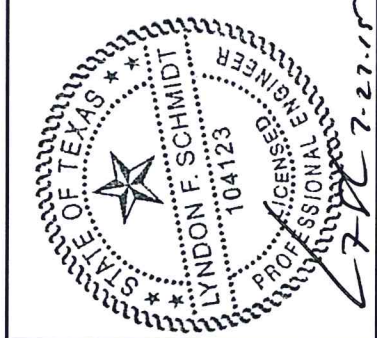
R:\Clients\R 3 Composites PERMANENT\Texas Dept of Ins\TDI - XXX\Drawings\Current\TX-4553.dwg, 1-3



**1** HORIZONTAL CROSS SECTION  
**3** Inswing shown (Outswing similar)



**2** HORIZONTAL CROSS SECTION  
**3** Inswing shown (Outswing similar)



Documents Prepared By:  
 Lyndon F. Schmidt, P.E.  
 TEXAS P.E. #104123

**RW** BUILDING CONSULTANTS, INC.  
 P.O. Box 230 Valrico FL, 33595  
 Phone No.: 813.659.9197

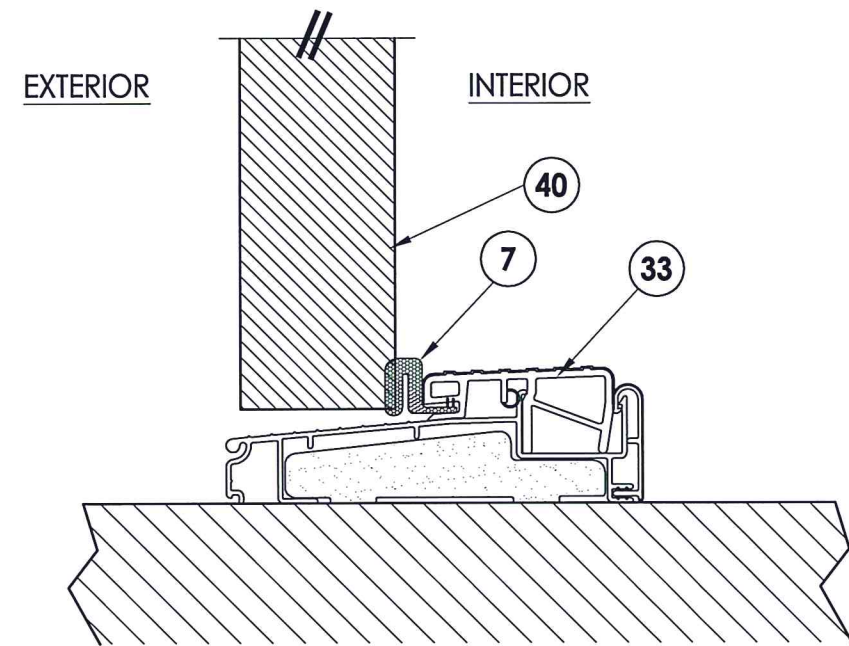
TEXAS BOARD OF PROFESSIONAL ENGINEERS  
 CERTIFICATE OF REGISTRATION # F-11852

PRODUCT: R3 COMPOSITES  
 PART OR ASSEMBLY: HORIZONTAL CROSS SECTIONS

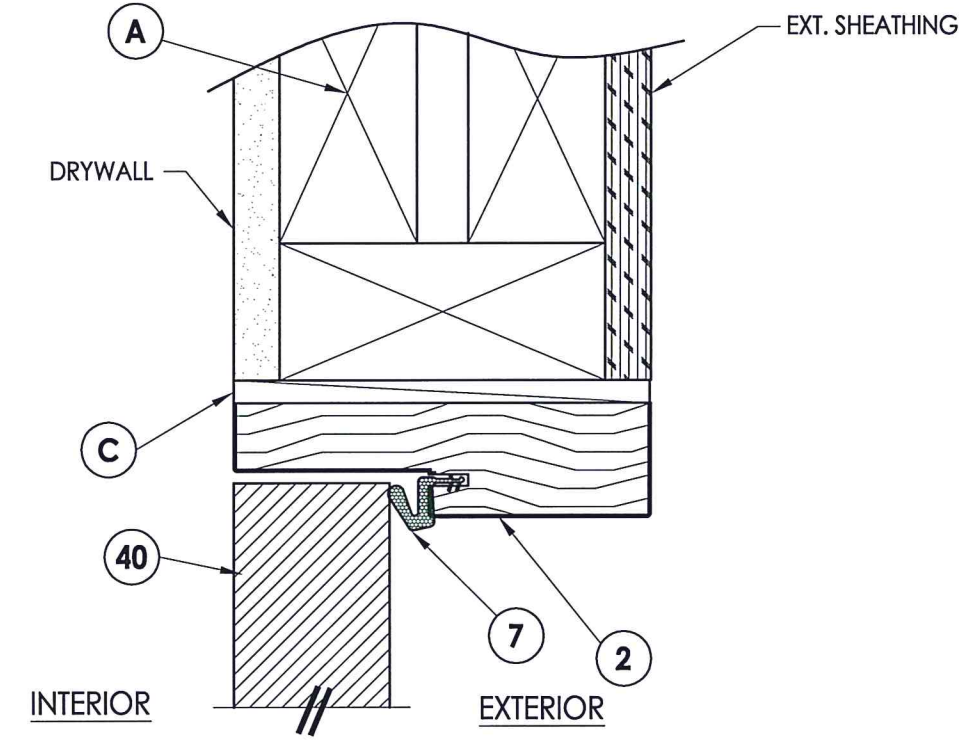
| NO. | DATE | REVISIONS | BY |
|-----|------|-----------|----|
|     |      |           |    |
|     |      |           |    |
|     |      |           |    |
|     |      |           |    |

DATE: 7/20/15  
 SCALE: N.T.S.  
 DWG. BY: JK  
 CHK. BY: LFS  
 DRAWING NO.: TX-4553  
 SHEET 3 OF 6

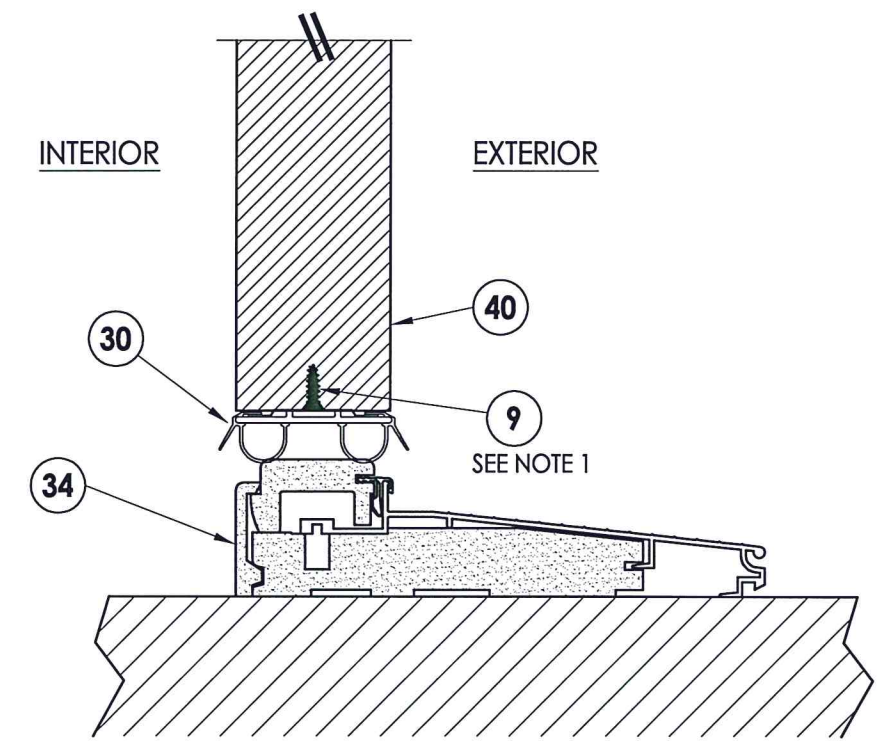
R:\Clients\R 3 Composites PERMANENT\Texas Dept of Ins\TDI - XXX\Drawings\Current\TX-4553.dwg, 1-4



**3** VERTICAL CROSS SECTION  
**4** Outswing configuration

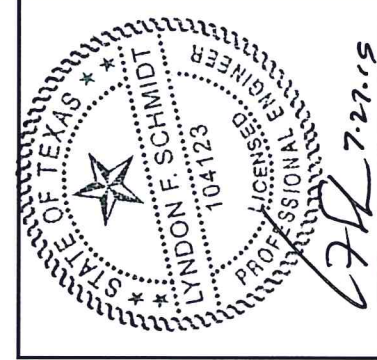


**1** VERTICAL CROSS SECTION  
**4** Inswing shown (Outswing similar)



**2** VERTICAL CROSS SECTION  
**4** Inswing configuration

NOTE:  
 1. Item #9 location, 2" from each end and 2 more equally space (4) total.

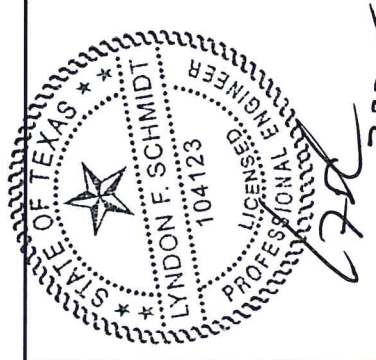
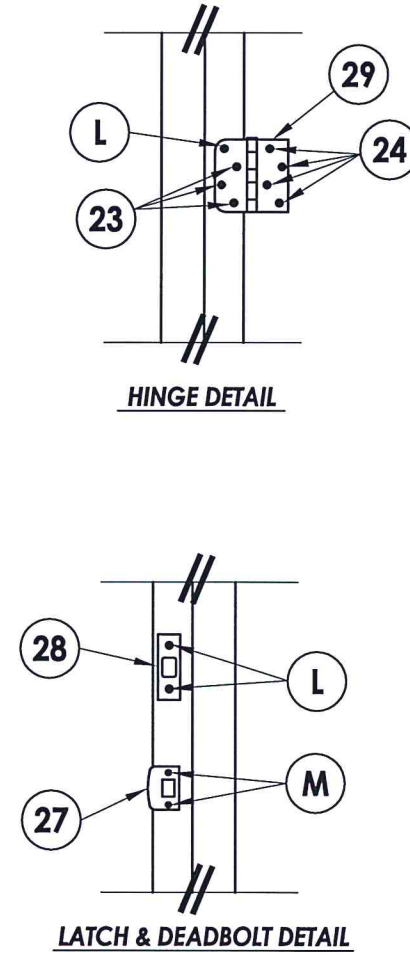
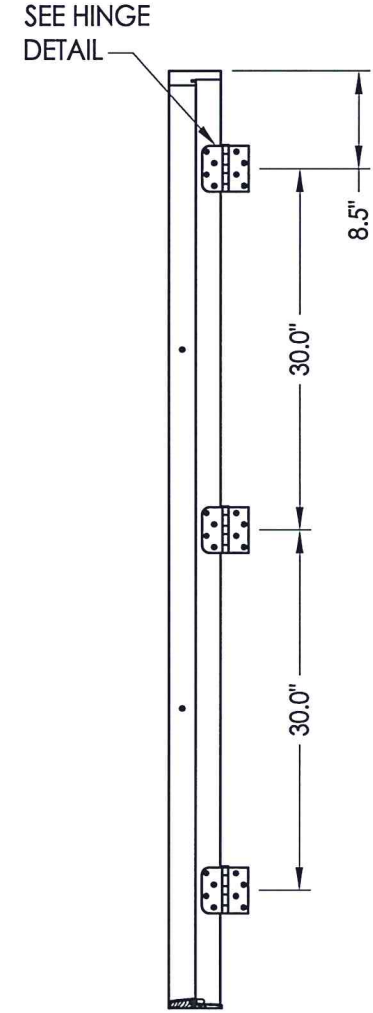
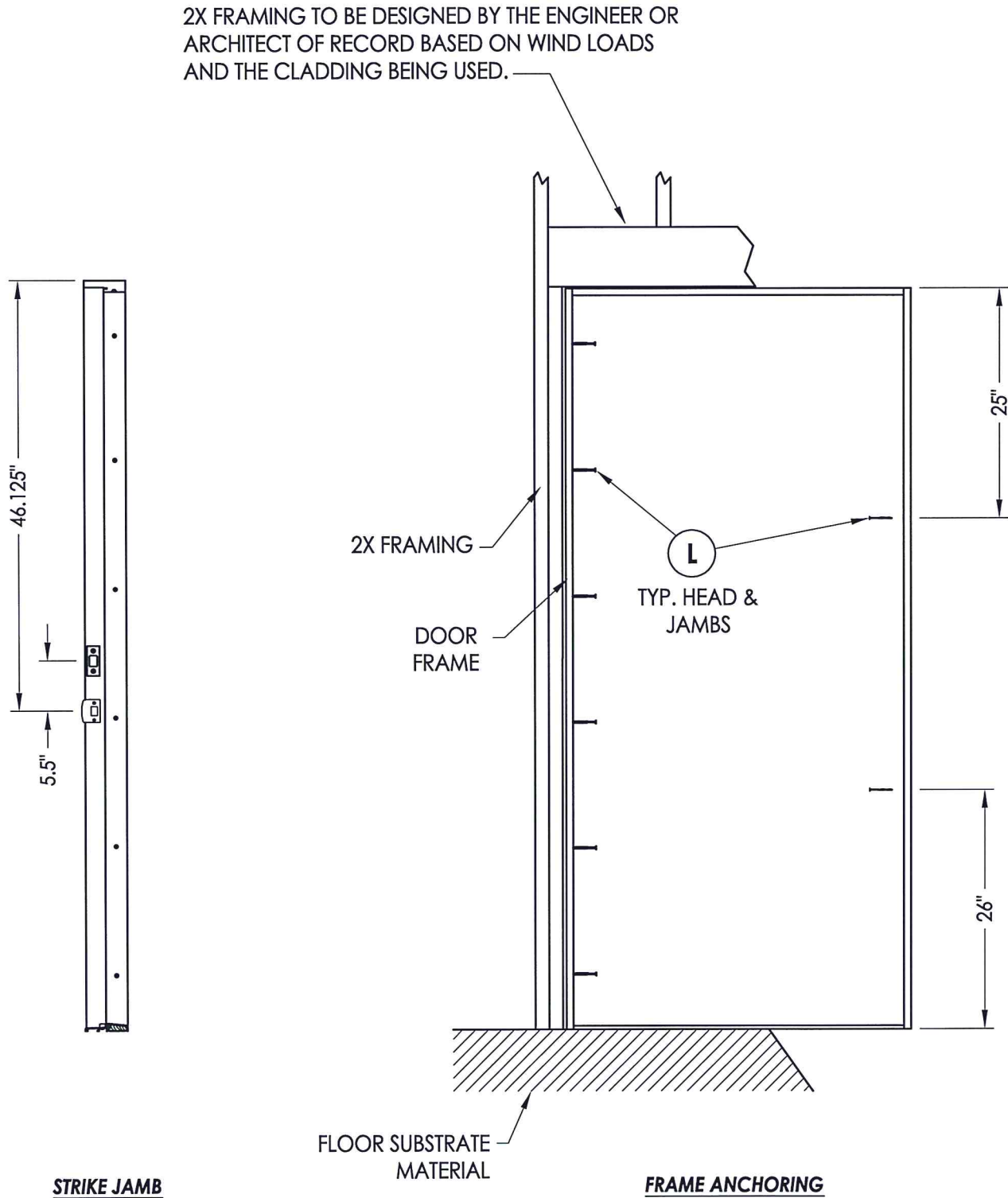


Documents Prepared By:  
 Lyndon F. Schmidt, P.E.  
 TEXAS P.E. #104123

*RW* BUILDING CONSULTANTS, INC.  
 P.O. Box 230 Vaalco FL, 33595  
 Phone No.: 813.659.9197

TEXAS BOARD OF PROFESSIONAL ENGINEERS  
 CERTIFICATE OF REGISTRATION # F-11852

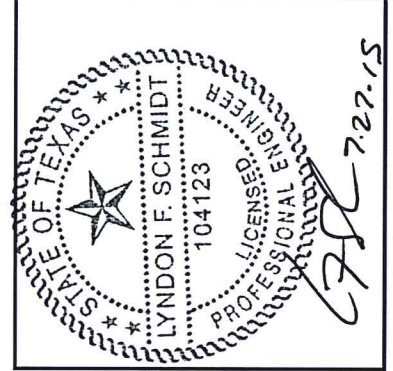
|   |           |
|---|-----------|
| PRODUCT: R3 COMPOSITES                    |           |
| PART OR ASSEMBLY: VERTICAL CROSS SECTIONS |           |
| NO.                                       | DATE      |
| BY  | REVISIONS |
| DATE: 7/20/15                             |           |
| SCALE: N.T.S.                             |           |
| DWG. BY: JK                               |           |
| CHK. BY: LFS                              |           |
| DRAWING NO.: TX-4553                      |           |
| SHEET 4 OF 6                              |           |



|   |      |   |           |
|---|------|---|-----------|
| Documents Prepared By:<br>Lyndon F. Schmidt, P.E.<br>TEXAS P.E. #104123 |      | BUILDING CONSULTANTS, INC.<br>P.O. Box 230 Valrico FL, 33595<br>Phone No.: 813.659.9197 |           |
| PRODUCT: R3 COMPOSITES<br>PART OR ASSEMBLY: FRAME ANCHORING             |      | TEXAS BOARD OF PROFESSIONAL ENGINEERS<br>CERTIFICATE OF REGISTRATION # F-11852          |           |
| NO.   | DATE | BY  | REVISIONS |
|   |      |   |           |
| DATE: 7/20/15   |      |   |           |
| SCALE: N.T.S.   |      |   |           |
| DWG. BY: JK   |      |   |           |
| CHK. BY: LFS  |      |   |           |
| DRAWING NO.: TX-4553  |      |   |           |
| SHEET 5 OF 6  |      |   |           |

**BILL OF MATERIALS**

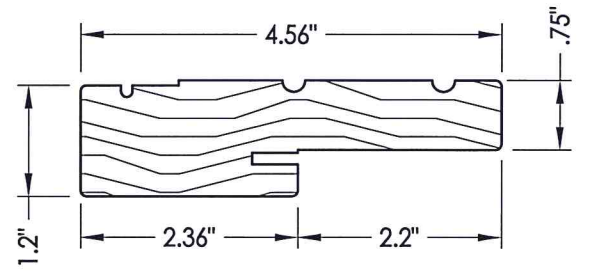
| ITEM # | DESCRIPTION   | MATERIAL     |
|--------|---|--------------|
| A      | 2X FRAME (SG >= 0.42)   | WOOD         |
| C      | 1/4" MAX. SHIM SPACE  | -            |
| L      | #10 X 2-1/2" PFH WOOD SCREW (1.15" MIN. EMB.)                     | STEEL        |
| M      | #8 X 2-1/2" PFH WOOD SCREW  | STEEL        |
| 2      | FINGER JOINTED PINE FRAME   | WOOD         |
| 7      | WEATHERSTRIP  | FOAM         |
| 9      | #8 X 1/2" PFH WOOD SCREW  | STEEL        |
| 23     | #10 X 3/4" PFH WOOD SCREW   | STEEL        |
| 24     | #9 X 3" PFH WOOD SCREW  | STEEL        |
| 27     | LATCH STRIKE PLATE  | STEEL        |
| 28     | DEADBOLT STRIKE PLATE   | STEEL        |
| 29     | 4" X 4" BUTT HINGE  | STEEL        |
| 30     | DOOR BOTTOM SWEEP WITH STEEL RETAINER                             | VINYL        |
| 33     | OUTSWING THRESHOLD  | ALUM. / WOOD |
| 34     | INSWING ADJUSTABLE THRESHOLD                                      | ALUM. / WOOD |
| 40     | DOOR PANEL - SEE DOOR PANEL DETAIL SHEET FOR CONSTRUCTION DETAILS | -            |



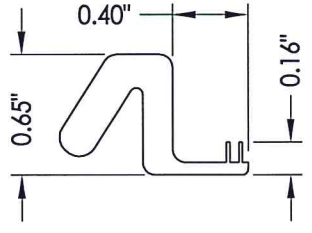
Documents Prepared By: Lyndon F. Schmidt, P.E.  
TEXAS P.E. #104123

**RW** BUILDING CONSULTANTS, INC.  
P.O. Box 230 Valrico FL. 33595  
Phone No.: 813.659.9197

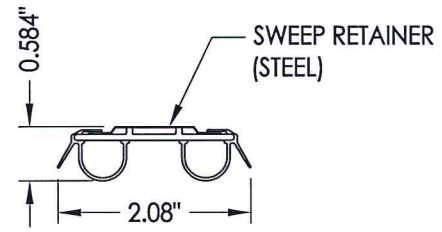
TEXAS BOARD OF PROFESSIONAL ENGINEERS  
CERTIFICATE OF REGISTRATION # F-11852



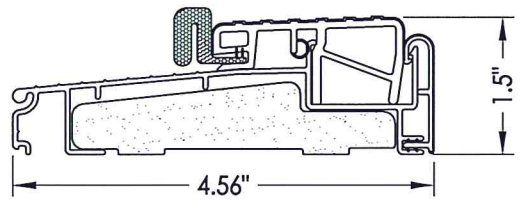
**2 WOOD JAMB**



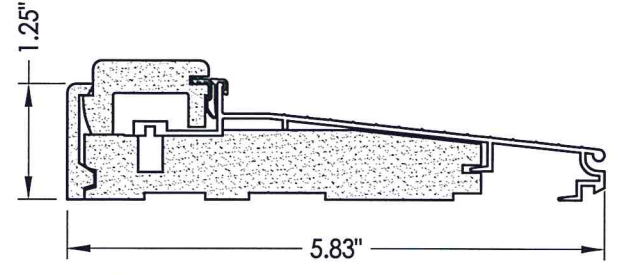
**7 WEATHERSTRIP**  
Endura Force 5



**30 DOOR BOTTOM SWEEP**



**33 OUTSWING THRESHOLD**  
By Endura



**34 ADJUSTABLE INSWING THRESHOLD**  
By Endura

PRODUCT: R3 COMPOSITES

PART OR ASSEMBLY: BILL OF MATERIALS & COMPONENTS

| NO. | DATE | BY | REVISIONS |
|-----|------|----|-----------|
|     |      |    |           |
|     |      |    |           |
|     |      |    |           |

DATE: 7/20/15  
SCALE: N.T.S.  
DWG. BY: JK  
CHK. BY: LFS  
DRAWING NO.: TX-4553  
SHEET 6 OF 6