

plastpro

5200 W. CENTURY BLVD.
LOS ANGELES, CA 90045

Mahogany / Rustic Series Fiberglass Door IN SWING / OUT SWING "IMPACT"

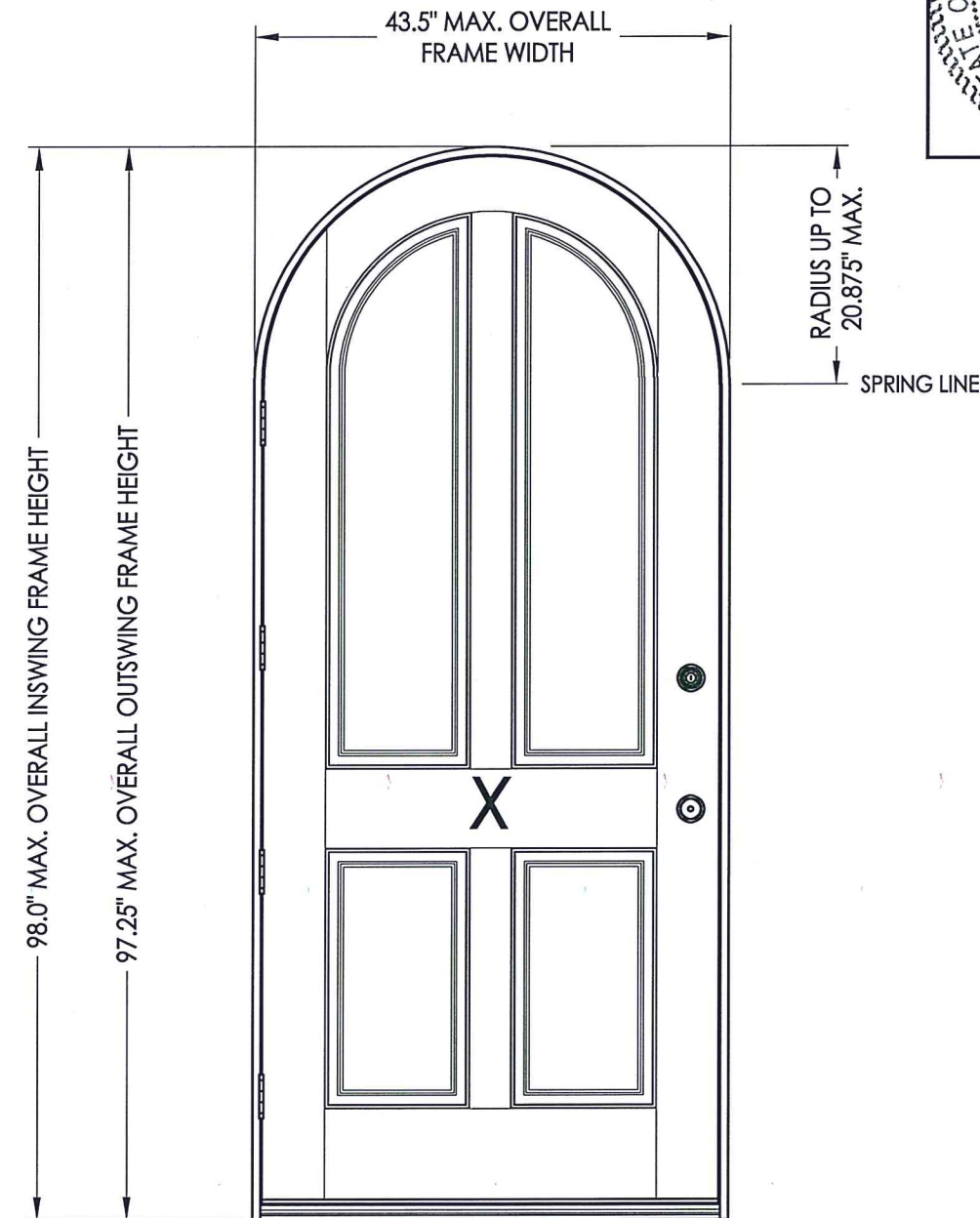
EVALUATED FOR USE IN THE STATE OF TEXAS

The Fiberglass Door system described herein complies with the 2018 International Residential Code (IRC), Sections R301 & R609 and the 2018 International Building Code (IBC), Sections 1404.13, 1609, 1709.5, 2403 and 2404 subject to the following conditions:

1. Anchors shall be as listed and spaced as shown in the details. Anchor embedment to base material shall be beyond wall dressing or stucco.
2. This system has been tested and evaluated as a large missile impact protective system for installation in areas that require wind borne debris protection. This product meets missile level "D" as defined in ASTM E 1996.
3. Allowable design pressure requirements must be equal to or less than the design pressure rating shown in the design pressure chart, sheet 1 of this drawing.
4. Conditions not covered by this drawing are subject to further engineering analysis.

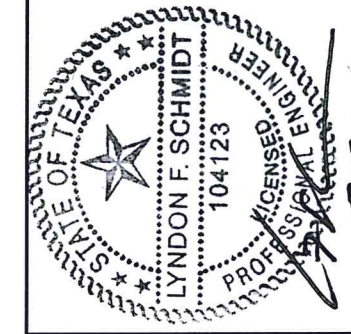
TABLE OF CONTENTS

SHEET#	DESCRIPTION
1	Typical elevation, design pressures, & general notes
2	Door panel details
3	Horizontal & Vertical Cross Sections
4	Vertical Cross Sections
5	Frame anchoring
6	Bill of materials and components



CONFIGURATION	MAX. FRAME DIMENSION	DESIGN PRESSURE (PSF) INSWING		DESIGN PRESSURE (PSF) OUTSWING	
		POSITIVE	NEGATIVE	POSITIVE	NEGATIVE
X	43.5" x 98.0"	+70.0	-75.0	+70.0	-70.0

See Sheet 2 for hardware limits on Design Pressure (PSF).



Documents Prepared By: Lyndon F. Schmidt, P.E.
TEXAS P.E. #104123

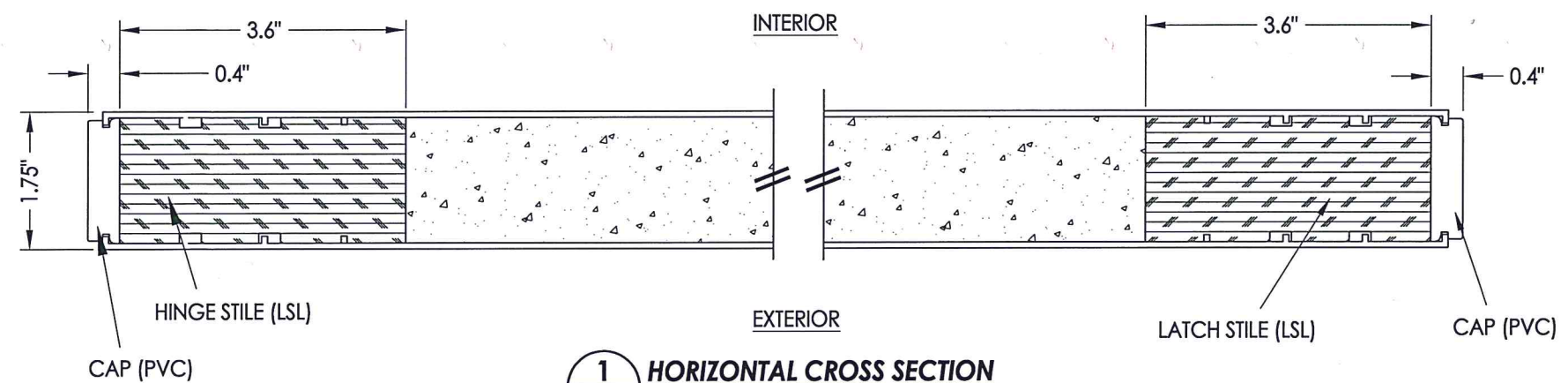
RW BUILDING CONSULTANTS, INC.
P.O. Box 230 Valrico FL, 33595
Phone No.: 813.659.9197

TEXAS BOARD OF PROFESSIONAL ENGINEERS
CERTIFICATE OF REGISTRATION # F-11852

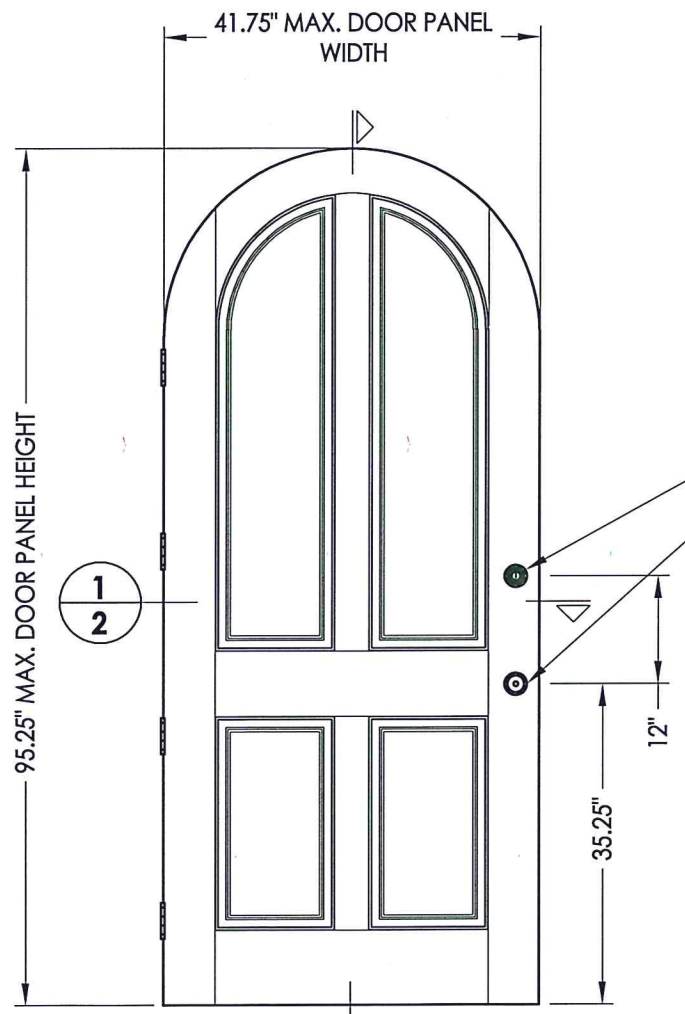
PRODUCT:	PLASTPRO FIBERGLASS DOOR
PART OR ASSEMBLY:	TYPICAL ELEVATION, DESIGN PRESSURES & GENERAL NOTES
DATE	5/05/20
NO.	1
BY	LFS
REVISIONS	UPDATE TO 2018 IBC/IRC CODE

DATE: 4/27/16
SCALE: N.T.S.
DWG. BY: JK
CHK. BY: LFS
DRAWING NO.: TX-4612
SHEET 1 OF 6

R:\Clients\Plastpro, Inc PERMANENT\B - TD\TDI - DR 805 - Rustic Mahogany - Radius & Arch Radius Opaque IMP (4-28-16)\C - Drawings\TX-4612.dwg, 2.8



1
2 HORIZONTAL CROSS SECTION

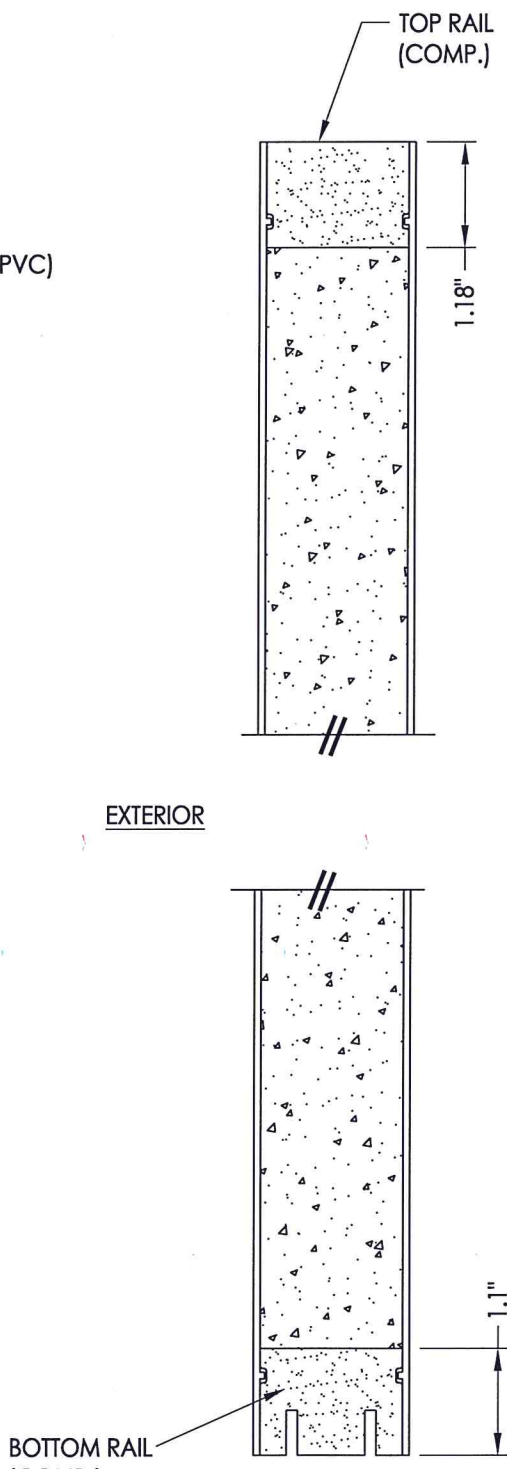


2
2
40 DOOR PANEL
Plastpro
Fiberglass

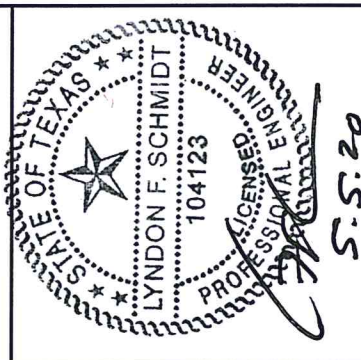
FIBERGLASS DOOR SKIN: MIN. 0.095" THK.
CORE MATERIAL: POLYURETHANE FOAM (1.9 PCF MIN.)

HARDWARE TABLE			MAX. DESIGN PRESSURE (PSF)
MANUFACTURER	MODEL		
KWIKSET	ENTRY:	SERIES (400)	+70/-75
	DEADBOLT:	SERIES (660)	
SCHLAGE	LOCK:	F-SERIES	+70/-70
	DEADBOLT:	B-SERIES	

EXTERIOR INTERIOR



2
2 VERTICAL CROSS SECTION



Documents Prepared By: Lyndon F. Schmidt, P.E.
TEXAS P.E. #104123

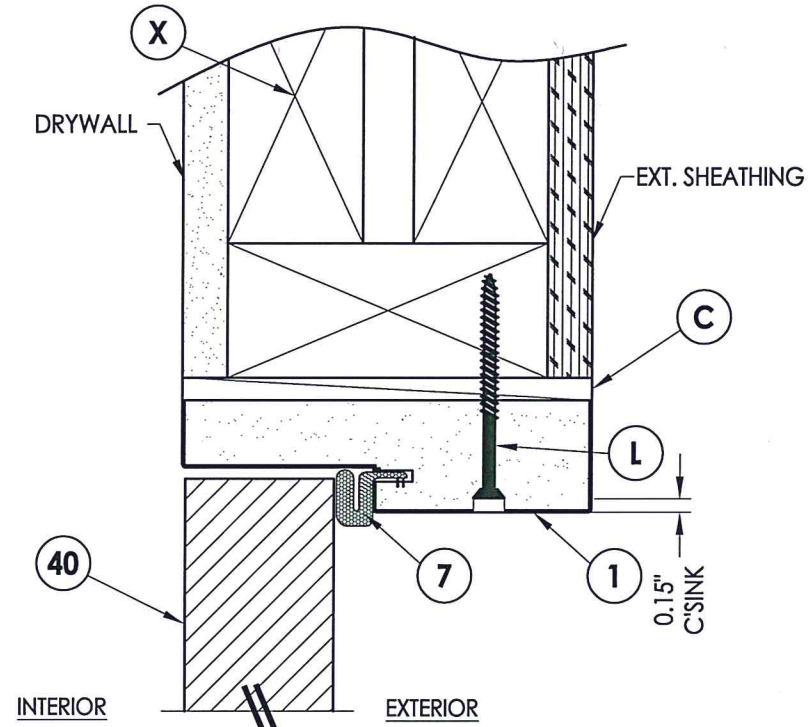
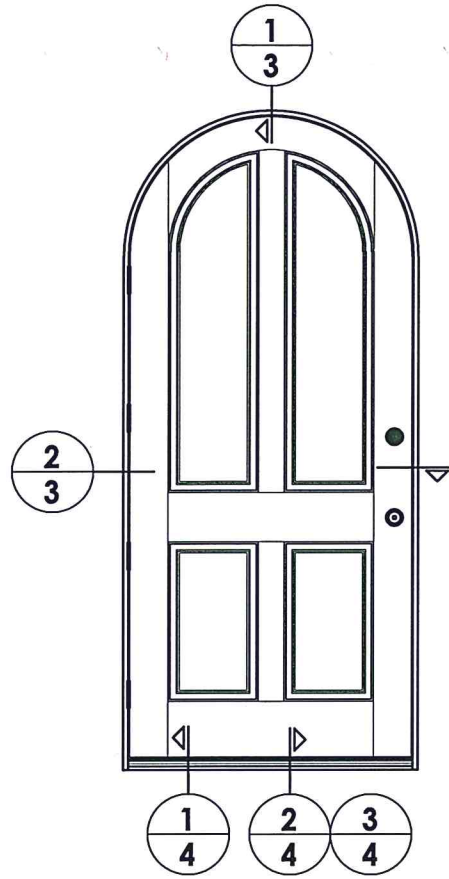
RW BUILDING CONSULTANTS, INC.
P.O. Box 230 Valrico FL 33595
Phone No.: 813.659.9197

TEXAS BOARD OF PROFESSIONAL ENGINEERS
CERTIFICATE OF REGISTRATION # F-11852

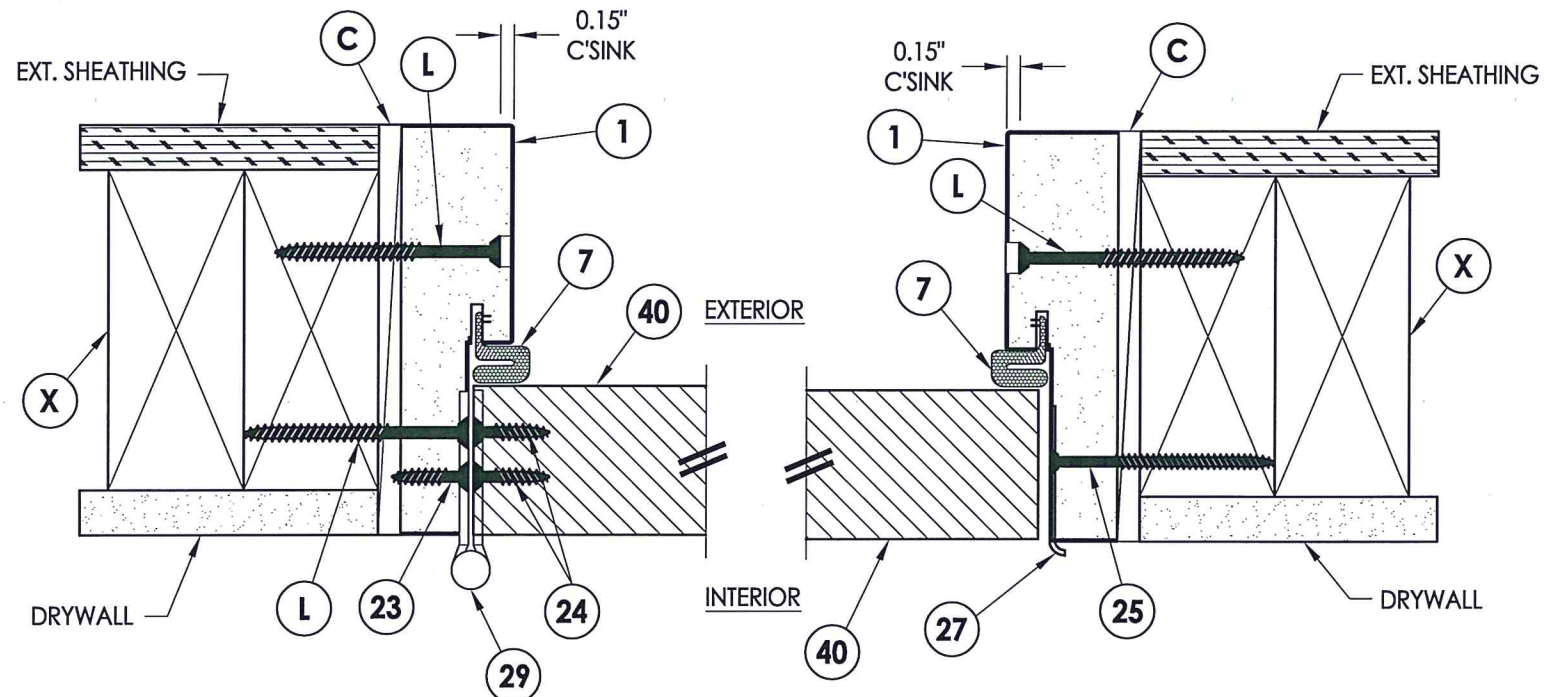
PRODUCT: PLASTPRO FIBERGLASS DOOR
PART OR ASSEMBLY: DOOR PANEL DETAILS

NO.	DATE	REVISIONS
1	5/05/20	UPDATE TO 2018 IBC/IRC CODE
LFS		BY

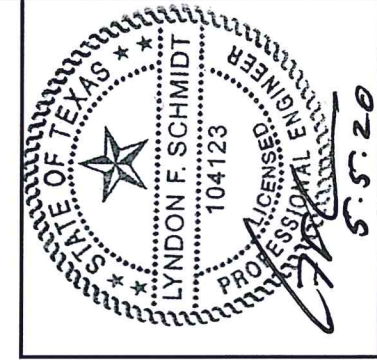
DATE: 4/27/16
SCALE: N.T.S.
DWG. BY: JK
CHK. BY: LFS
DRAWING NO.: TX-4612
SHEET 2 OF 6



1 VERTICAL CROSS SECTION
3 Inswing shown (Outswing similar)



2 HORIZONTAL CROSS SECTION
3 Inswing shown (Outswing similar)

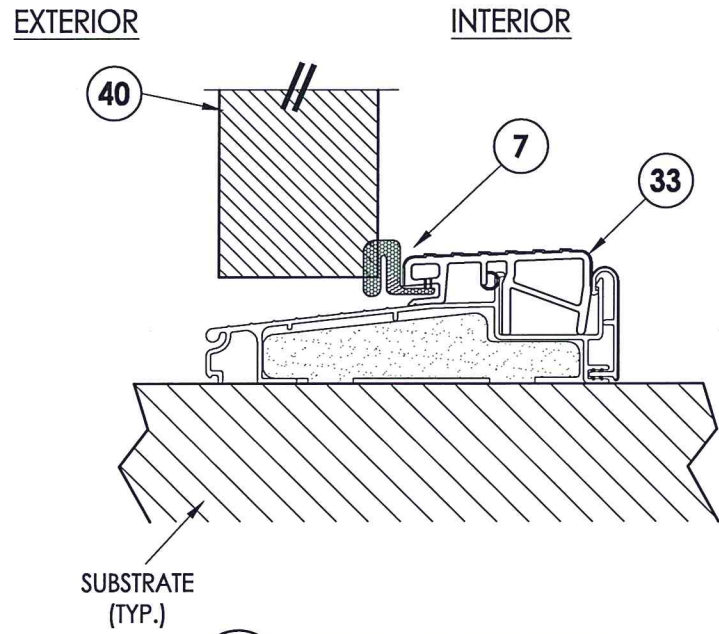


Documents Prepared By: Lyndon F. Schmidt, P.E.
TEXAS P.E. #104123

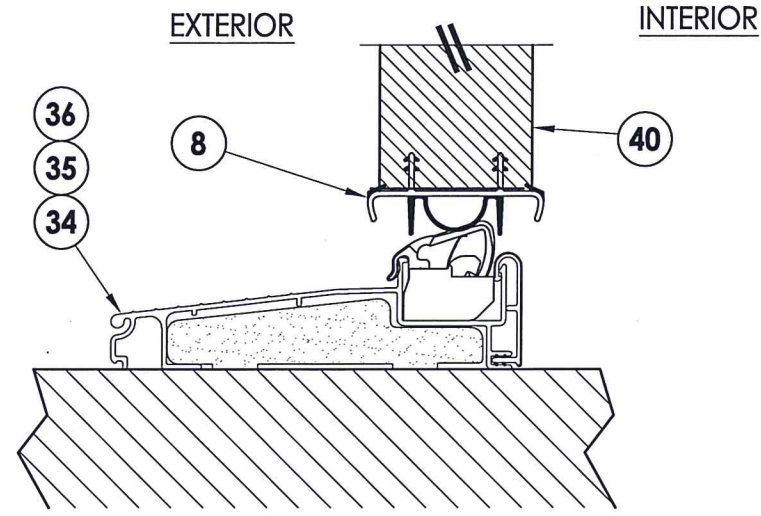
RW BUILDING CONSULTANTS, INC.
P.O. Box 230 Valrico FL 33595
Phone No.: 813.659.9197

TEXAS BOARD OF PROFESSIONAL ENGINEERS
CERTIFICATE OF REGISTRATION # F-11852

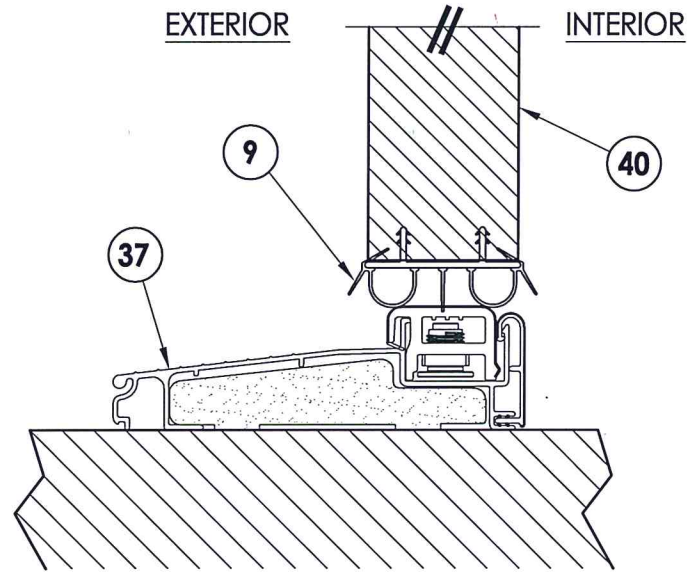
PRODUCT: PLASTPRO FIBERGLASS DOOR	
PART OR ASSEMBLY: HORIZONTAL & VERTICAL CROSS SECTIONS	
NO.	DATE
1	5/05/20
UPDATE TO 2018 IBC/IRC CODE	
LFS	BY
REVISIONS	
DATE: 4/27/16	
SCALE: N.T.S.	
DWG. BY: JK	
CHK. BY: LFS	
DRAWING NO.: TX-4612	
SHEET 3 OF 6	



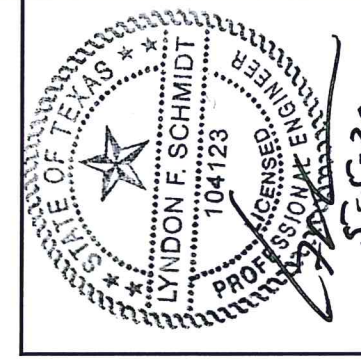
1 VERTICAL CROSS SECTION
4 Outswing configuration



2 VERTICAL CROSS SECTION
4 Inswing configuration



3 VERTICAL CROSS SECTION
4 Inswing configuration



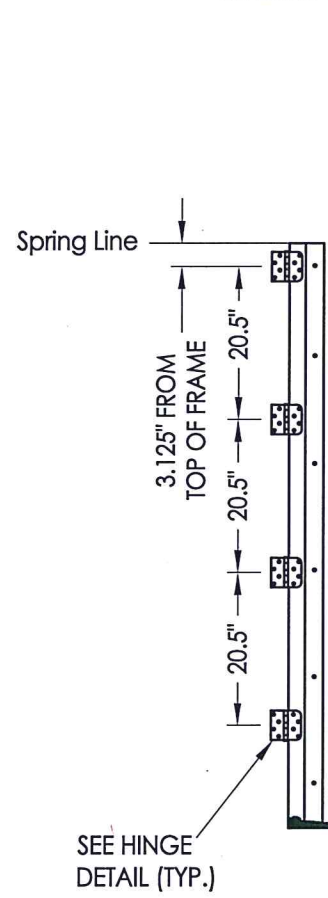
Documents Prepared By: Lyndon F. Schmidt, P.E.
TEXAS P.E. #104123

RW BUILDING CONSULTANTS, INC.
P.O. Box 230 Valrico FL 33595
Phone No.: 813.659.9197

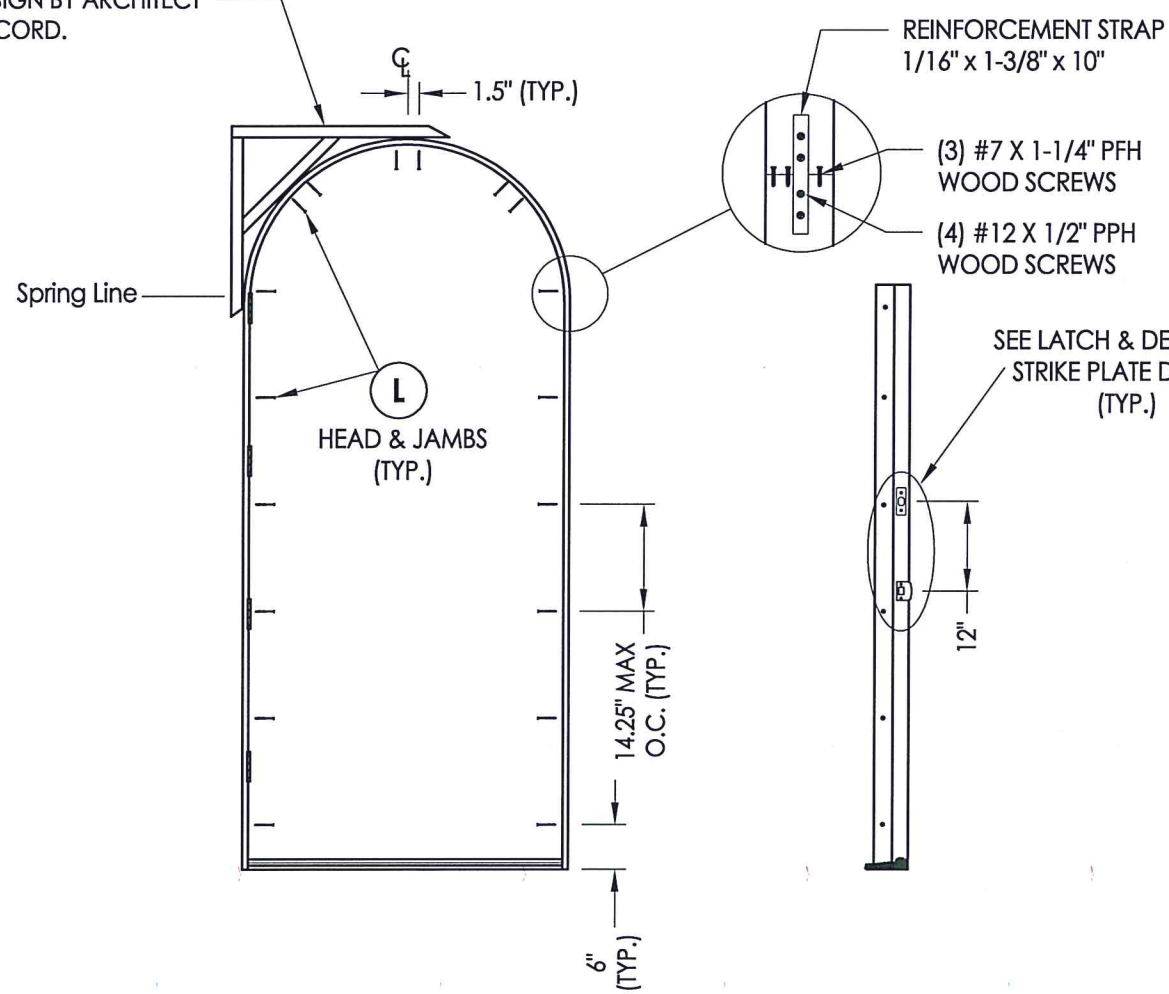
TEXAS BOARD OF PROFESSIONAL ENGINEERS
CERTIFICATE OF REGISTRATION # F-11852

PRODUCT:		PLASTPRO FIBERGLASS DOOR	
PART OR ASSEMBLY:		VERTICAL CROSS SECTIONS	
NO.	DATE	UPDATE TO 2018 IBC/IRC CODE	LFS BY
1	5/05/20		
REVISIONS			
DATE: 4/27/16			
SCALE: N.T.S.			
DWG. BY: JK			
CHK. BY: LFS			
DRAWING NO.: TX-4612			
SHEET 4 OF 6			

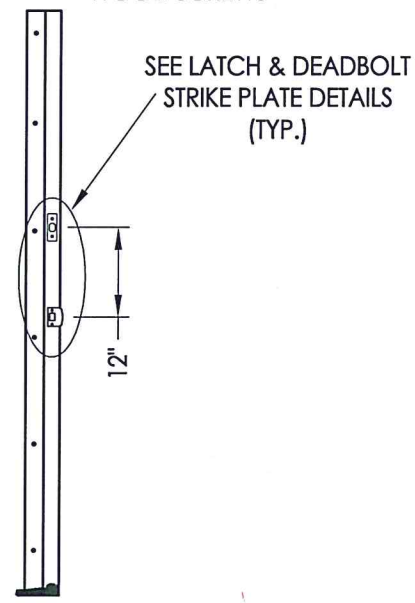
2X FRAMING AND CONNECTION TO SUBSTRATE TO BE DESIGN BY ARCHITECT OR ENGINEER OF RECORD.



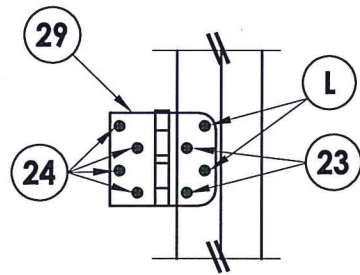
HINGE JAMB



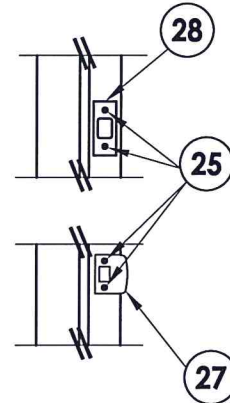
FRAME ANCHORING



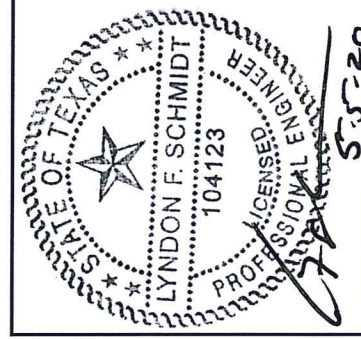
STRIKE JAMB



HINGE DETAIL



LATCH & DEADBOLT STRIKE PLATE DETAILS



Documents Prepared By: Lyndon F. Schmidt, P.E.
TEXAS P.E. #104123

RW BUILDING CONSULTANTS, INC.
P.O. Box 230 Valrico FL. 33595
Phone No.: 813.659.9197

TEXAS BOARD OF PROFESSIONAL ENGINEERS
CERTIFICATE OF REGISTRATION # F-11852

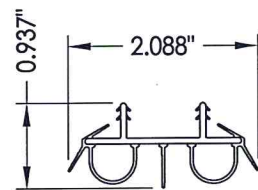
PRODUCT:	PLASTPRO FIBERGLASS DOOR	
PART OR ASSEMBLY:	FRAME ANCHORING	
NO.	DATE	DESCRIPTION
1	5/05/20	UPDATE TO 2018 IBC/IRC CODE
LFS	BY	

DATE: 4/27/16
SCALE: N.T.S.
DWG. BY: JK
CHK. BY: LFS
DRAWING NO.: TX-4612
SHEET 5 OF 6

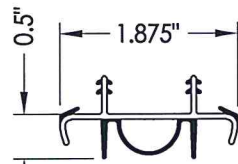
R:\Clients\Plastpro, Inc PERMANENT\B - TDI\TDI - DR 805 - Rustic Mahogany - Radius & Arch Radius Opaque IMP (4-28-16)\C - Drawings\TX-4612.dwg, 6.8

BILL OF MATERIALS

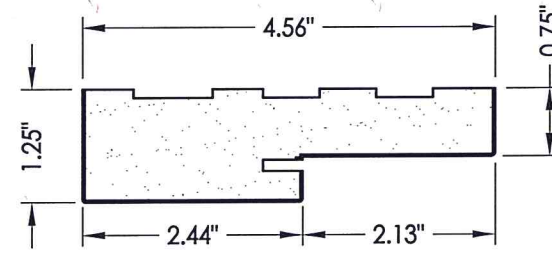
ITEM #	DESCRIPTION	MATERIAL
A	2X FRAMING (G >= 0.42)	WOOD
B	2X FRAMING (G >= 0.42)	WOOD
C	1/4" MAX. SHIM SPACE	-
L	#10 X 2-1/2" PFH WOOD SCREW (1.15" MIN. EMB.)	STEEL
1	POLY FIBER JAMB	POLY FIBER
7	WEATHERSTRIP (ENDURA FORCE 5)	FOAM
8	SWEEP	VINYL
9	SWEEP	VINYL
22	#12 X 2-1/2" PFH WOOD SCREW	STEEL
23	#10 X 3/4" PFH WOOD SCREW	STEEL
24	#10 x 1" PFH WOOD SCREW	STEEL
25	#8 x 2-1/2" PFH WOOD SCREW	STEEL
27	LATCH STRIKE PLATE	STEEL
28	DEADBOLT STRIKE PLATE	STEEL
29	4" X 4" BUTT HINGE	STEEL
33	OUTSWING THRESHOLD	ALUM / COMP
34	INSWING THRESHOLD	ALUM / COMP
35	INSWING THRESHOLD	ALUM / COMP
36	INSWING THRESHOLD	ALUM / WOOD
37	INSWING THRESHOLD	ALUM / COMP
40	DOOR PANEL - SEE DOOR PANEL DETAIL SHEET FOR CONSTRUCTION DETAILS	-



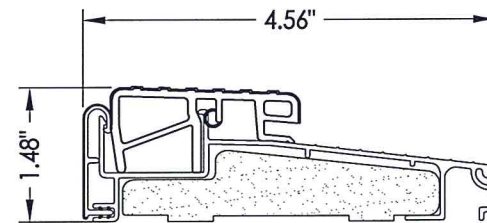
8 SWEEP



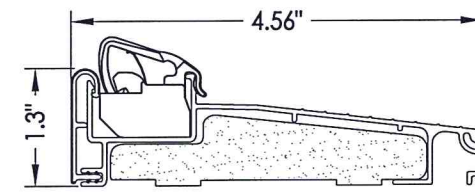
9 SWEEP



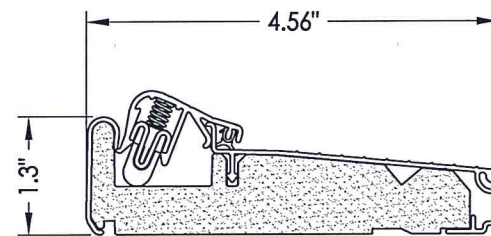
1 POLY FIBER JAMB



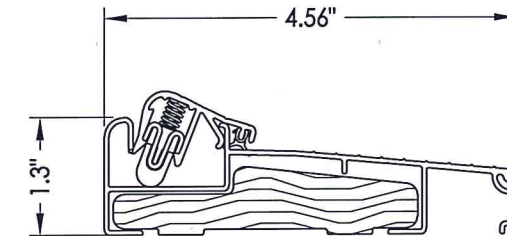
33 OUTSWING THRESHOLD
Endura



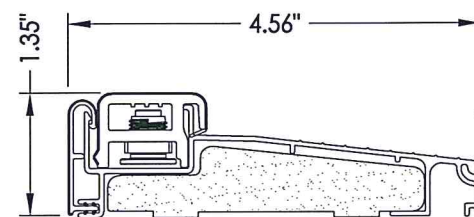
34 INSWING THRESHOLD
Endura (Articulating)
ALUM/COMP/VINYL



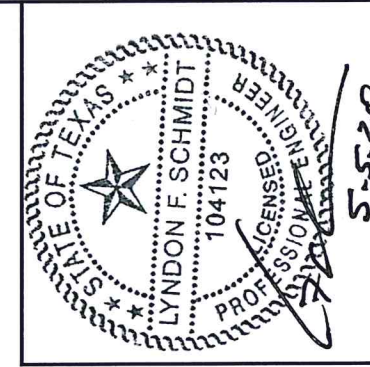
35 INSWING THRESHOLD
Endura (Articulating)
ALUM/COMP



36 INSWING THRESHOLD
Endura (Articulating)
ALUM/WOOD



37 INSWING THRESHOLD
Endura



Documents Prepared By: Lyndon F. Schmidt, P.E.
TEXAS P.E. #104123

RW BUILDING CONSULTANTS, INC.
P.O. Box 230 Vairico FL 33595
Phone No.: 813.659.9197

TEXAS BOARD OF PROFESSIONAL ENGINEERS
CERTIFICATE OF REGISTRATION # F-11852

PRODUCT: PLASTPRO
FIBERGLASS DOOR

PART OR ASSEMBLY:
BILL OF MATERIALS
& COMPONENTS

NO.	DATE	REVISIONS
1	5/05/20	UPDATE TO 2018 IBC/IRC CODE
LFS		BY

DATE: 4/27/16

SCALE: N.T.S.

DWG. BY: JK

CHK. BY: LFS

DRAWING NO.: TX-4612

SHEET 6 OF 6