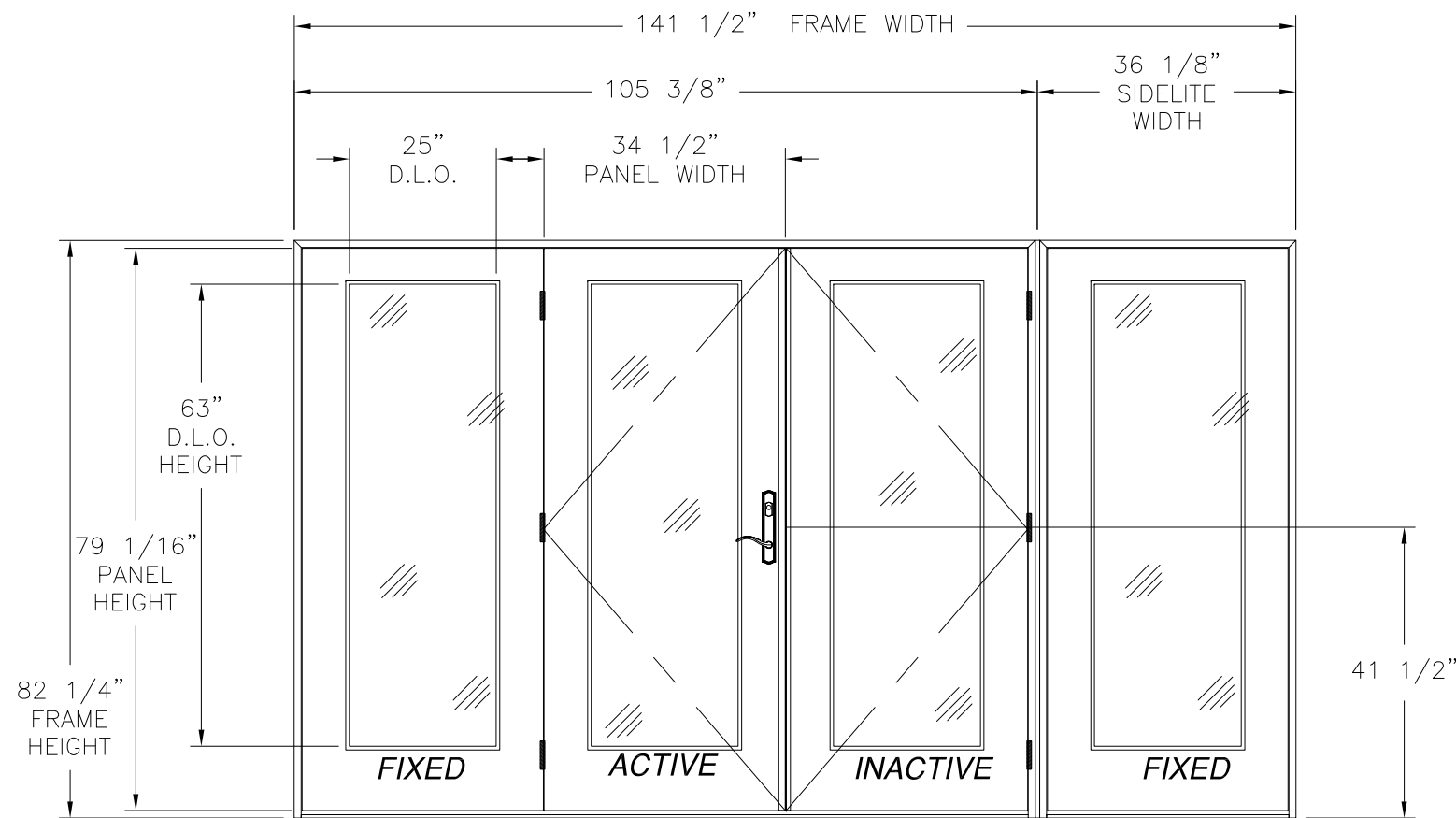


REVISIONS			
REV	DESCRIPTION	DATE	APPROVED
C	REVISED PER NEW REQUIREMENTS	12/19/19	R.L.



IN-SWING DOUBLE DOOR W/ SIDELITES
EXTERIOR VIEW

DESIGN PRESSURE RATING	IMPACT RATING
±60.0PSF	NONE

OXX/O CONFIGURATION SHOWN, CONFIGURATIONS LISTED IN NOTE 9 ARE APPROVED AS LONG AS INDIVIDUAL PANEL AREA DOES NOT EXCEED 18.94 FT²

NOTES:

1. THE PRODUCT SHOWN HEREIN IS DESIGNED AND MANUFACTURED TO COMPLY WITH REQUIREMENTS OF THE 2006 IBC AND THE 2006 IRC WITH STATE OF TEXAS MODIFICATIONS AND WITH THE 2015 IBC, 2015 IRC, 2018 IBC AND 2018 IRC.
2. WOOD FRAMING AND MASONRY OPENING TO BE DESIGNED AND ANCHORED TO PROPERLY TRANSFER ALL LOADS TO STRUCTURE. FRAMING AND MASONRY OPENING IS THE RESPONSIBILITY OF THE ARCHITECT OR ENGINEER OF RECORD.
3. 1X BUCK OVER MASONRY/CONCRETE IS OPTIONAL. WHERE 1X BUCK IS NOT USED DISSIMILAR MATERIALS MUST BE SEPARATED WITH APPROVED COATING OR MEMBRANE. SELECTION OF COATING OR MEMBRANE IS THE RESPONSIBILITY OF THE ARCHITECT OR ENGINEER OF RECORD.
4. UNITS MUST BE GLAZED PER ASTM E1300-04/09, WITH SAFETY GLAZING.
5. APPROVED IMPACT PROTECTIVE SYSTEM IS REQUIRED FOR THIS PRODUCT IN WIND BORNE DEBRIS REGIONS.
6. FRAME JAMB AND HEAD MATERIAL: CO-EXTRUDED PVC FOAM 1 1/2" THICK.
7. FRAME SILL MATERIAL: CO-EXTRUDED PVC FOAM 2" THICK WITH ALUMINUM CLADDING .063" THICK.
8. DOOR PANEL AND SIDELITE MATERIAL: .075" THICK FIBERGLASS SKIN WITH PVC FOAM TOP AND BOTTOM RAILS, AND PVC FOAM VERTICAL STILES WITH PINE REINFORCEMENTS AND POLYURETHANE FOAM CORE.
9. APPROVED CONFIGURATIONS: X, OX, XO, X/O, O/X, XX, XXO, OXX, O/XX, XX/O, O/XXO AND OXX/O. SEE SHEET 2.
10. HINGES LOCATED AT 8 3/4", 39 1/2", AND 71 3/8" FROM TOP OF PANEL
11. SIDELITES ARE ASSEMBLED TO FRAME WITH #10X2 1/2" WOOD SCREWS LOCATED 4" FROM EACH END AND 18 1/2" MAX O.C. THEREAFTER AT JAMBS AND 4" FROM EACH END AND ONE AT MIDSPAN AT HEAD AND SILL.

SIGNED: 01/21/2020

TABLE OF CONTENTS	
SHEET NO.	DESCRIPTION
1	ELEVATION AND NOTES
2	ADDITIONAL CONFIGURATIONS AND HARDWARE
3 - 4	ANCHORING LAYOUTS
5 - 9	INSTALLATION DETAILS
10	COMPONENTS

NAN YA PLASTICS CORP. USA
8989 NORTH LOOP EAST
HOUSTON, TX 77029

SERIES SLPS IN-SWING GLAZED FIBERGLASS
SIDE HINGED PATIO DOOR 6'11 NON-IMPACT
OXXO ELEVATION AND NOTES

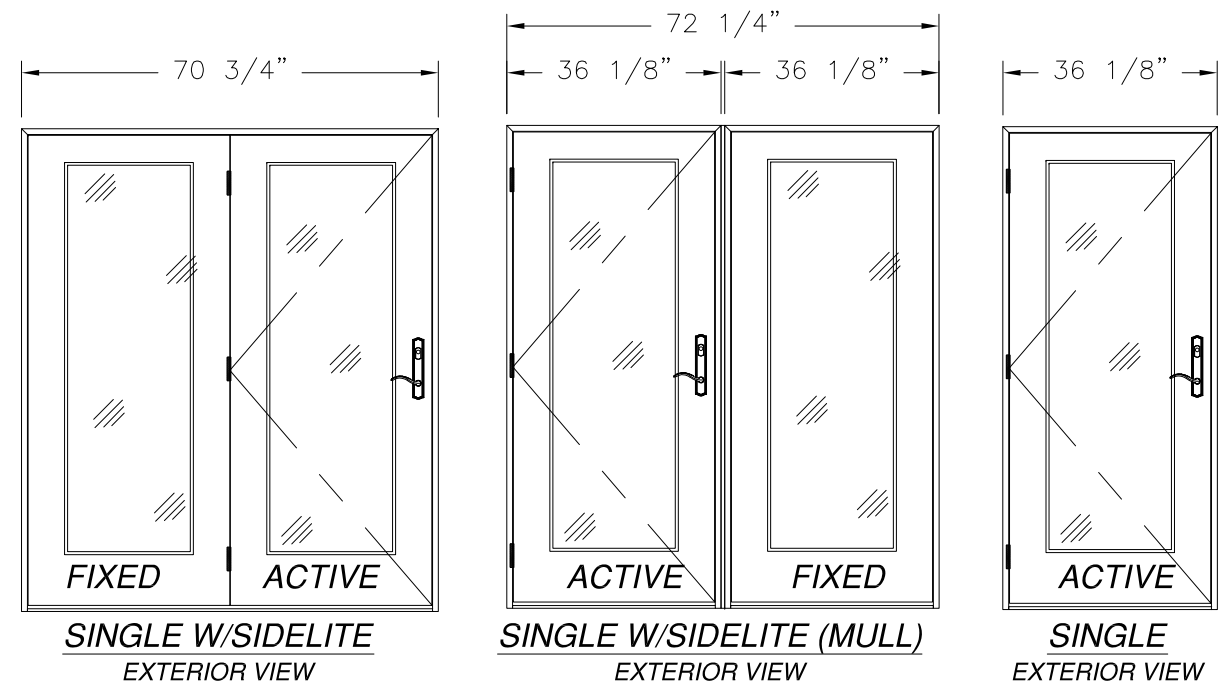
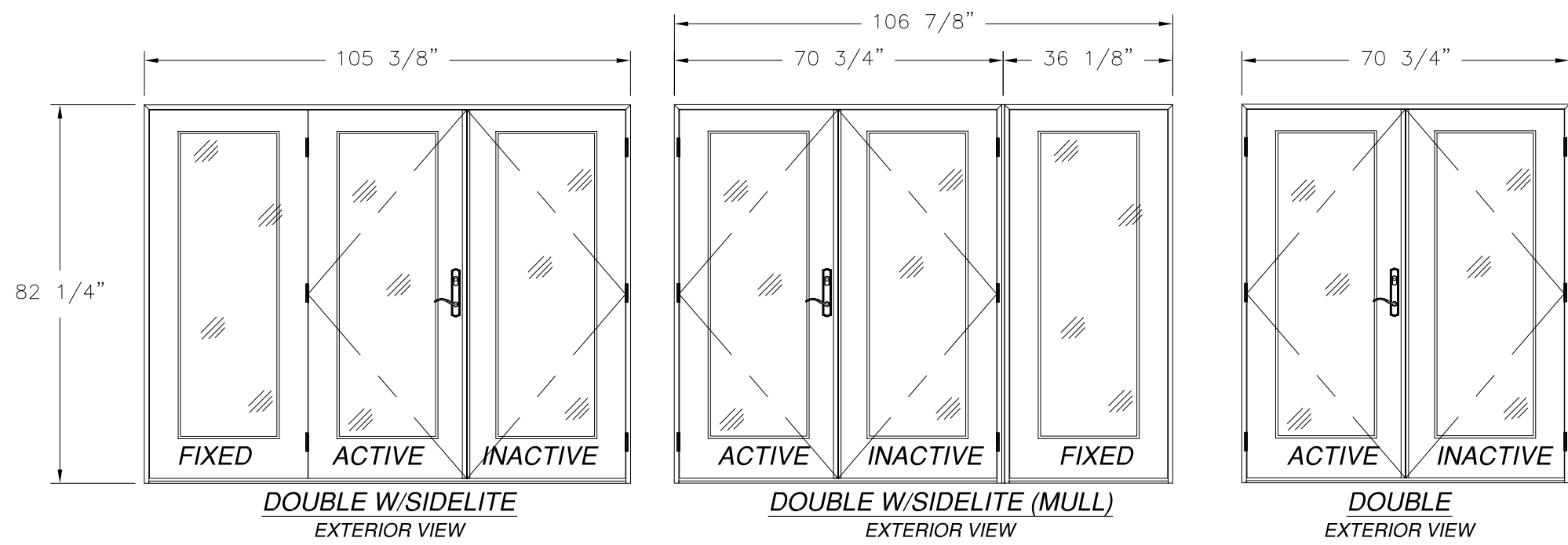
DRAWN: N.G.	DWG NO. 08-02808	REV C
SCALE NTS	DATE 09/01/15	SHEET 1 OF 10

L. ROBERTO LOMAS P.E.
1432 WOODFORD RD LEWISVILLE, NC 27023
434-688-0609 rllomas@lrlomaspe.com



Luis R. Lomas P.E.
TX No.: 101889

REVISIONS			
REV	DESCRIPTION	DATE	APPROVED
C	REVISED PER NEW REQUIREMENTS	12/19/19	R.L.



HARDWARE SCHEDULE	
A.	FLUSH BOLT MECHANISM BY NINGBO MICOTA (INACTIVE PANEL)
B.	1 POINT LOCK BY NINGBO MICOTA (ACTIVE PANEL)
C.	(3) 4"x4" BUTT HINGES BY NINGBO MICOTA (ACTIVE & INACTIVE)
D.	ALUMINUM & PVC FOAM ASTRAGAL BY NAN YA PLASTICS
E.	ALUMINUM & PVC FOAM MULLION BY NAN YA PLASTICS

NOTE:
ALL APPROVED CONFIGURATIONS ARE SHOWN AS LEFT
HAND ACTIVE, RIGHT HAND ACTIVE IS ALSO APPROVED.

NAN YA PLASTICS CORP. USA
8989 NORTH LOOP EAST
HOUSTON, TX 77029

SERIES SLPS IN-SWING GLAZED FIBERGLASS
SIDE HINGED PATIO DOOR 6'11 NON-IMPACT
ADDITIONAL CONFIGURATIONS AND HARDWARE

DRAWN: N.G.	DWG NO. 08-02808	REV C
SCALE NTS	DATE 09/01/15	SHEET 2 OF 10

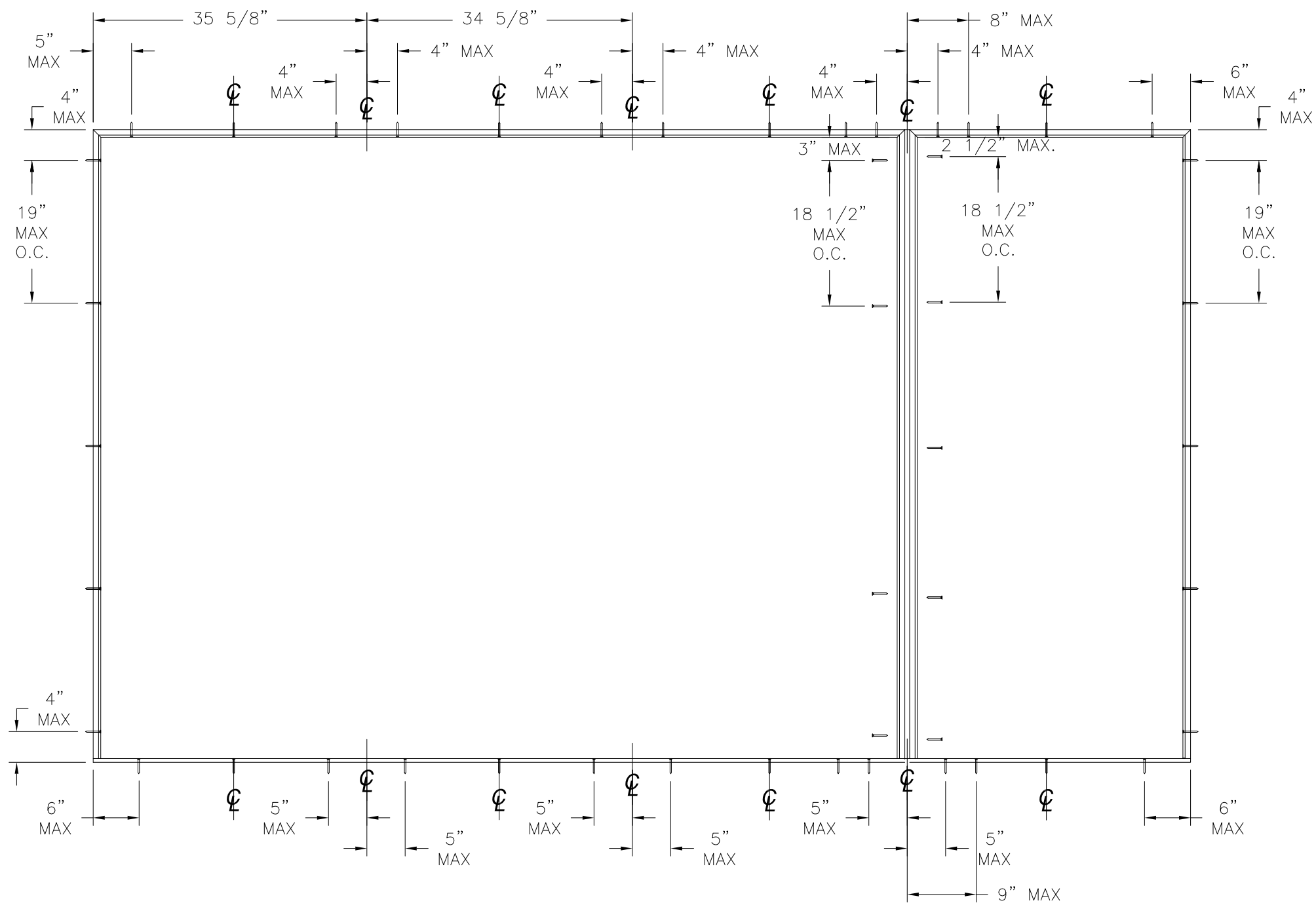
L. ROBERTO LOMAS P.E.
1432 WOODFORD RD LEWISVILLE, NC 27023
434-688-0609 rllomas@lrlomaspe.com

SIGNED: 01/21/2020



Luis R. Lomas P.E.
TX No.: 101889

REVISIONS			
REV	DESCRIPTION	DATE	APPROVED
C	REVISED PER NEW REQUIREMENTS	12/19/19	R.L.



ANCHORING NOTES:

- 1) SHIM AS REQUIRED AT EACH INSTALLATION ANCHOR WITH LOAD BEARING SHIM. SHIM WHERE SPACE OF 1/16" OR GREATER OCCURS. MAXIMUM ALLOWABLE SHIM STACK TO BE 1/4".
- 2) FOR ANCHORING INTO MASONRY/CONCRETE USE 3/16" TAPCON OF SUFFICIENT LENGTH TO ACHIEVE A 1 1/4" MINIMUM EMBEDMENT INTO SUBSTRATE. LOCATE ANCHORS AS SHOWN IN ANCHORING LAYOUT AND INSTALLATION DETAILS.
- 3) FOR ANCHORING INTO 2X BUCK OR WOOD FRAMING USE #10 WOOD SCREW OF SUFFICIENT LENGTH TO ACHIEVE A 1 3/8" MINIMUM EMBEDMENT INTO SUBSTRATE. LOCATE ANCHORS AS SHOWN IN ANCHORING LAYOUT AND INSTALLATION DETAILS.
- 4) ALL FASTENERS TO BE CORROSION RESISTANT.
- 5) INSTALLATION ANCHORS SHALL BE INSTALLED IN ACCORDANCE WITH ANCHOR MANUFACTURER'S INSTALLATION INSTRUCTIONS, AND ANCHORS SHALL NOT BE USED IN SUBSTRATES WITH STRENGTHS LESS THAN THE MINIMUM STRENGTH SPECIFIED BELOW:
 - A. WOOD – MINIMUM SPECIFIC GRAVITY OF G=0.42
 - B. CONCRETE – MINIMUM COMPRESSIVE STRENGTH OF 3,200 PSI.
 - C. MASONRY – STRENGTH CONFORMANCE TO ASTM C-90, GRADE N, TYPE 1 (OR GREATER).

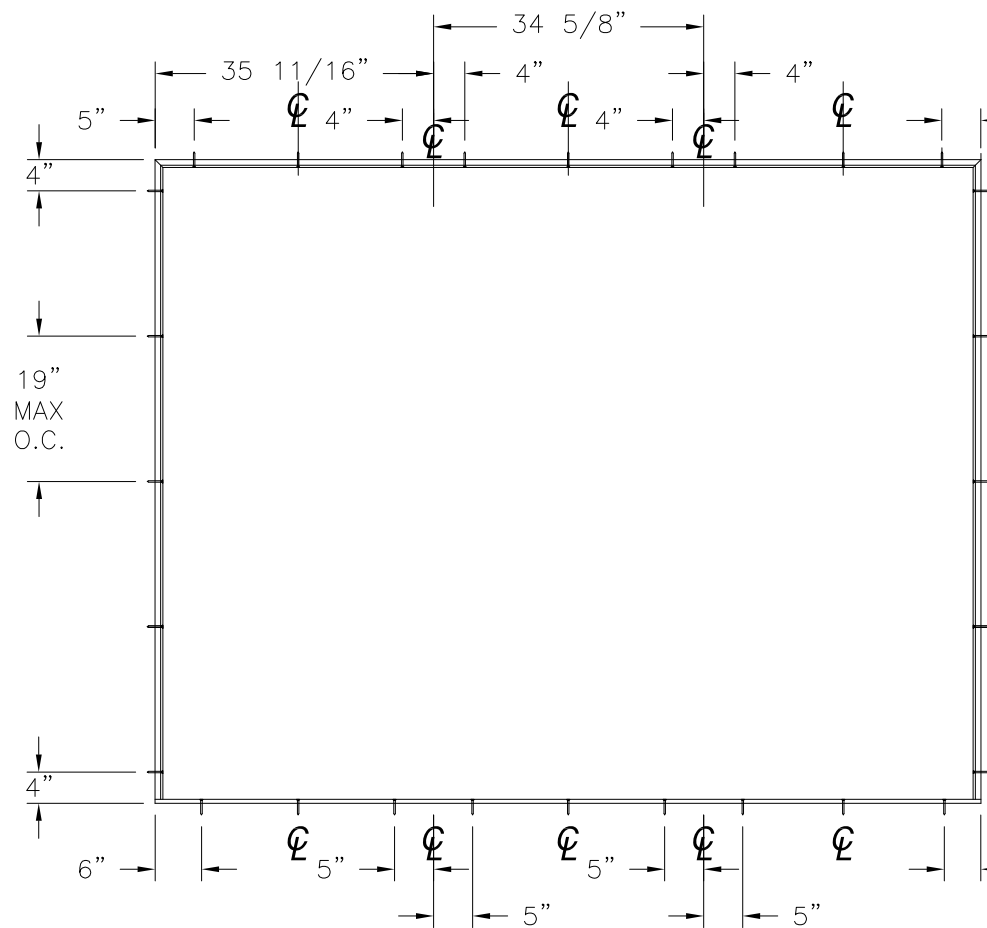
ANCHORING LAYOUT

SIGNED: 01/21/2020

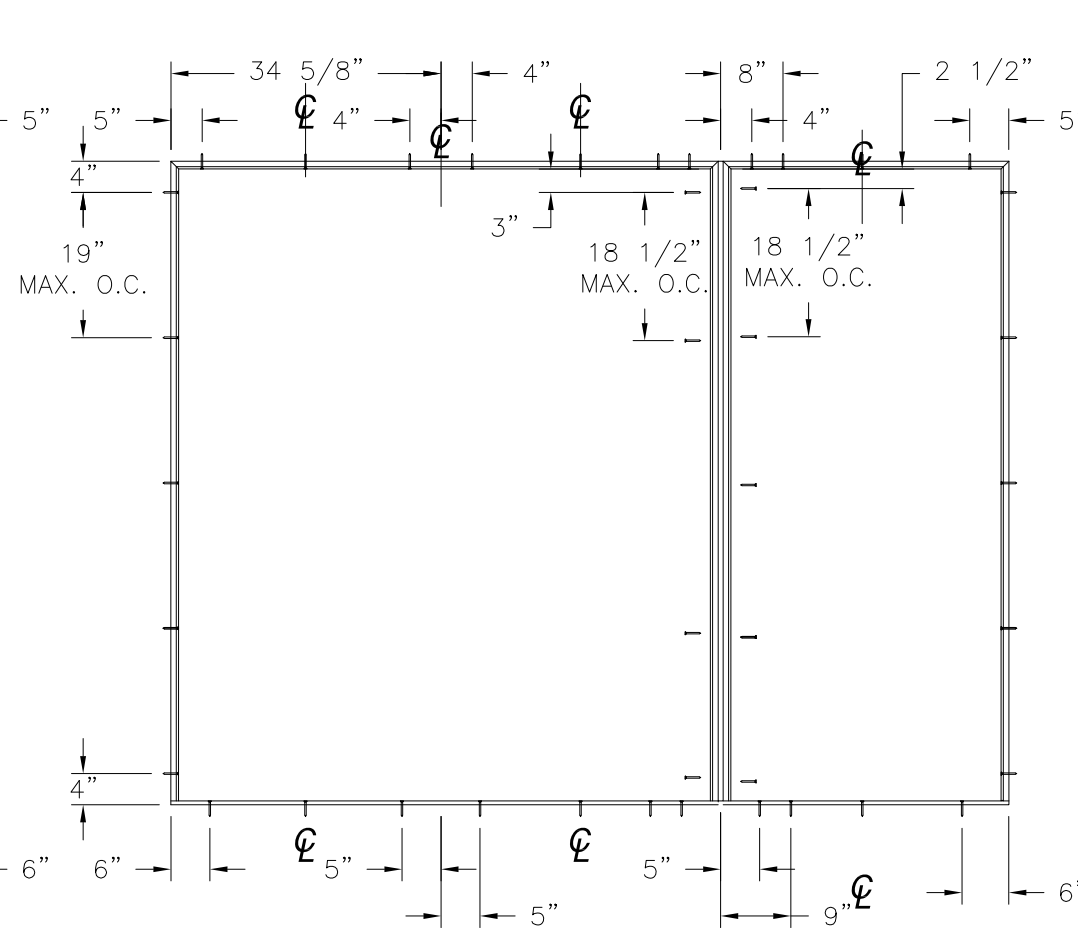
NAN YA PLASTICS CORP. USA 8989 NORTH LOOP EAST HOUSTON, TX 77029		
SERIES SLPS IN-SWING GLAZED FIBERGLASS SIDE HINGED PATIO DOOR 6'11 NON-IMPACT ANCHORING LAYOUT		
DRAWN: N.G.	DWG NO. 08-02808	REV C
SCALE NTS	DATE 09/01/15	SHEET 3 OF 10
L. ROBERTO LOMAS P.E. 1432 WOODFORD RD LEWISVILLE, NC 27023 434-688-0609 rllomas@rlomaspe.com		



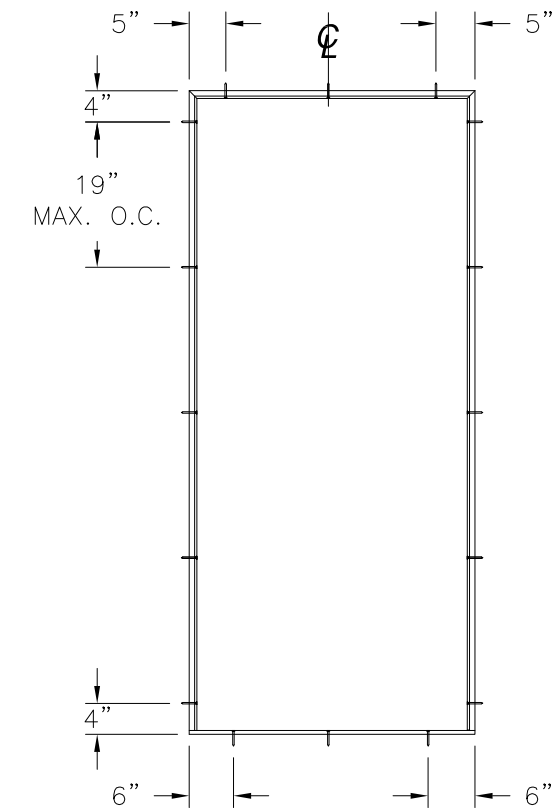
Luis R. Lomas P.E.
TX No.: 101889



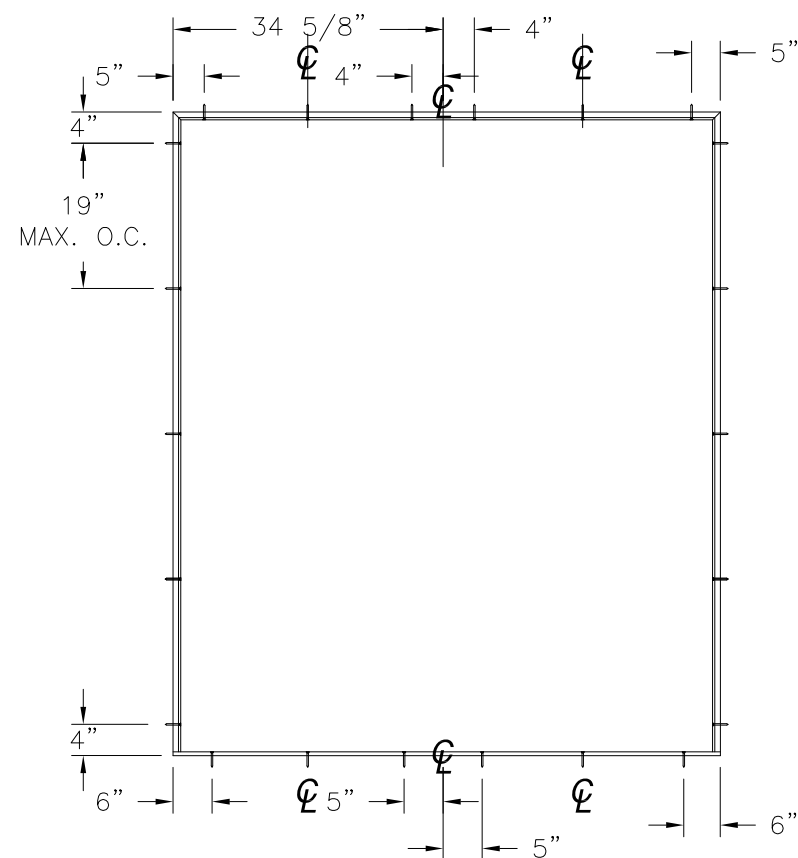
ANCHORING LAYOUT FOR OXO, XXO AND OXX



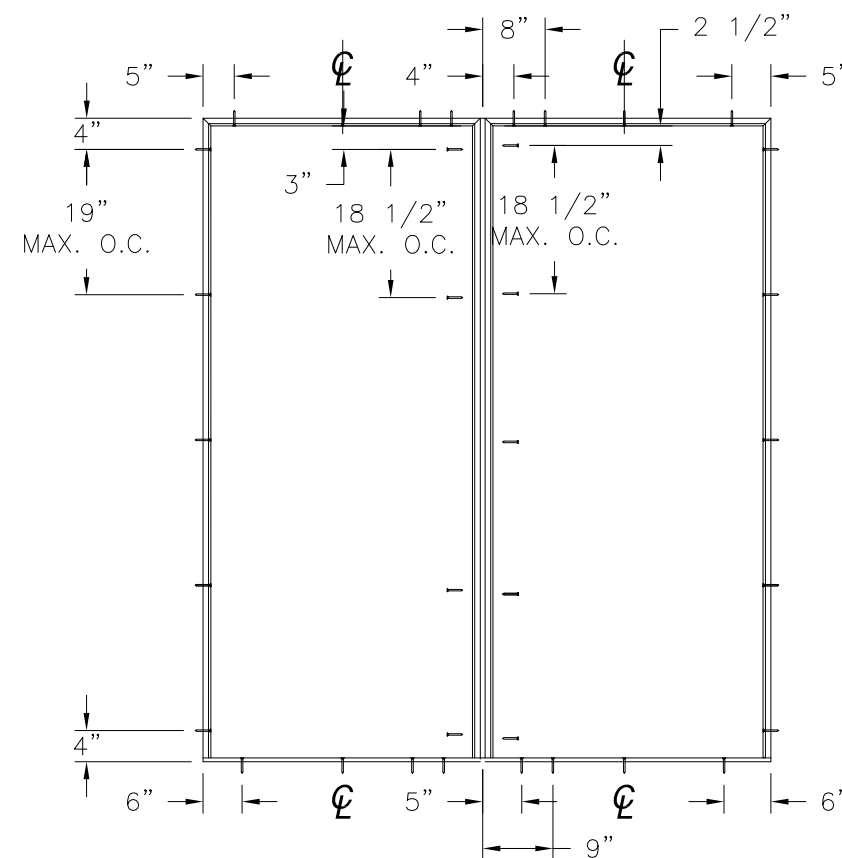
ANCHORING LAYOUT FOR OXO, XXO AND OXX (MULL)



ANCHORING LAYOUT FOR X



ANCHORING LAYOUT FOR XX, OX AND XO



ANCHORING LAYOUT FOR OX AND XO (MULL)

REVISIONS			
REV	DESCRIPTION	DATE	APPROVED
C	REVISED PER NEW REQUIREMENTS	12/19/19	R.L.

NAN YA PLASTICS CORP. USA
 8989 NORTH LOOP EAST
 HOUSTON, TX 77029

SERIES SLPS IN-SWING GLAZED FIBERGLASS
 SIDE HINGED PATIO DOOR 6'11 NON-IMPACT
 ANCHORING LAYOUTS

DRAWN: N.G.	DWG NO. 08-02808	REV C
SCALE NTS	DATE 09/01/15	SHEET 4 OF 10

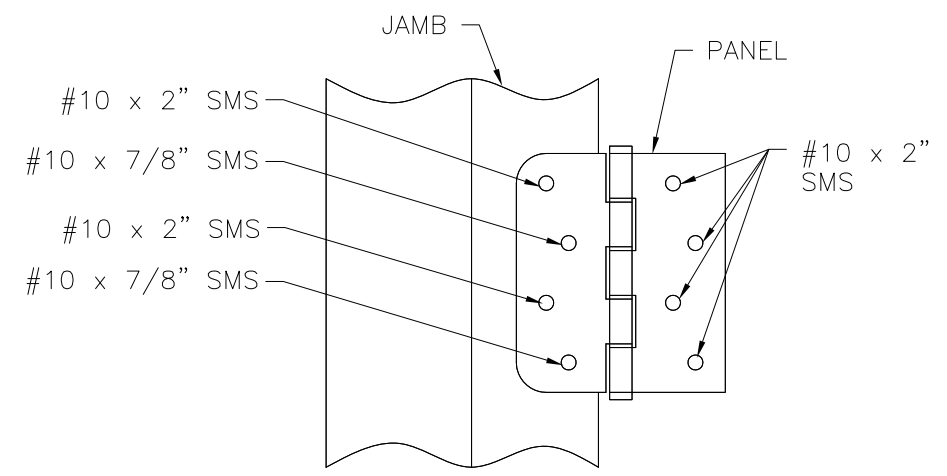
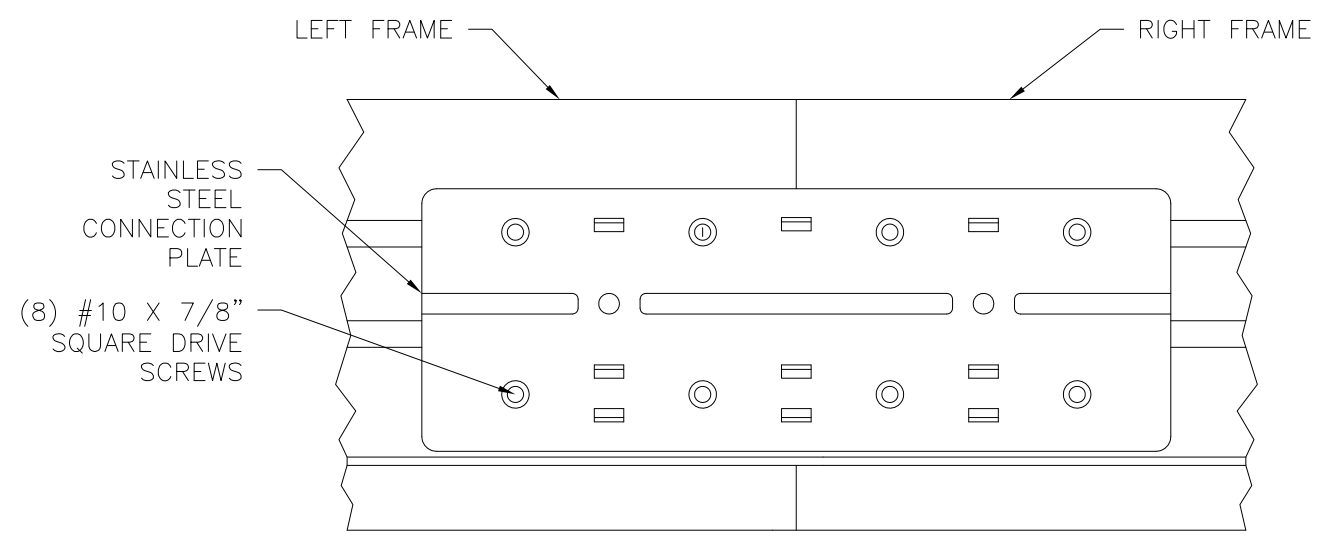
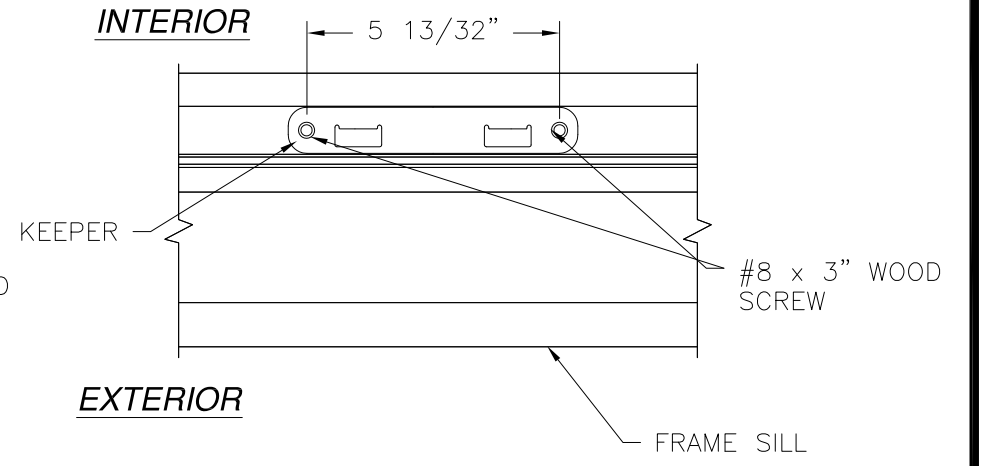
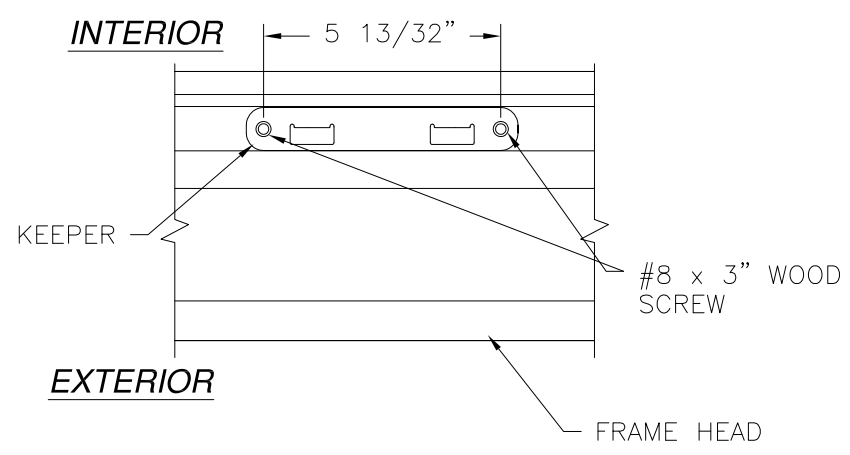
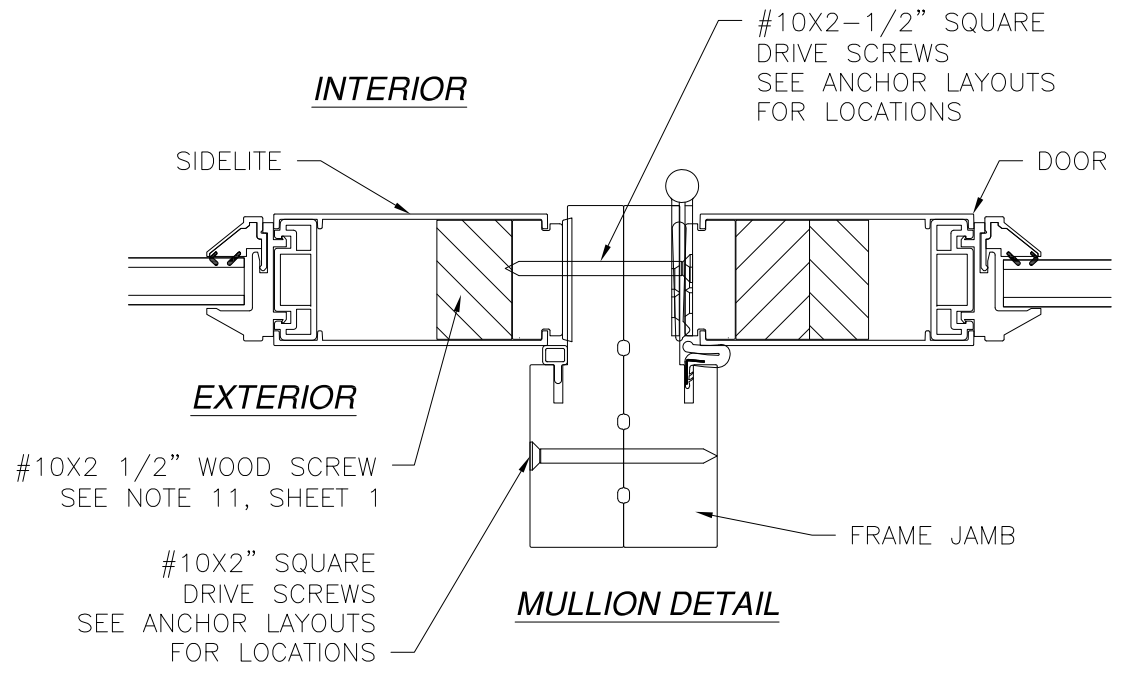
L. ROBERTO LOMAS P.E.
 1432 WOODFORD RD LEWISVILLE, NC 27023
 434-688-0609 rllomas@lrlomaspe.com

SIGNED: 01/21/2020



Luis R. Lomas P.E.
 TX No.: 101889

REVISIONS			
REV	DESCRIPTION	DATE	APPROVED
C	REVISED PER NEW REQUIREMENTS	12/19/19	R.L.



FRAME CONNECTION DETAIL

HINGE INSTALLATION DETAIL

SIGNED: 01/21/2020

NAN YA PLASTICS CORP. USA
 8989 NORTH LOOP EAST
 HOUSTON, TX 77029

SERIES SLPS IN-SWING GLAZED FIBERGLASS
 SIDE HINGED PATIO DOOR 6'11 NON-IMPACT
 INSTALLATION DETAILS

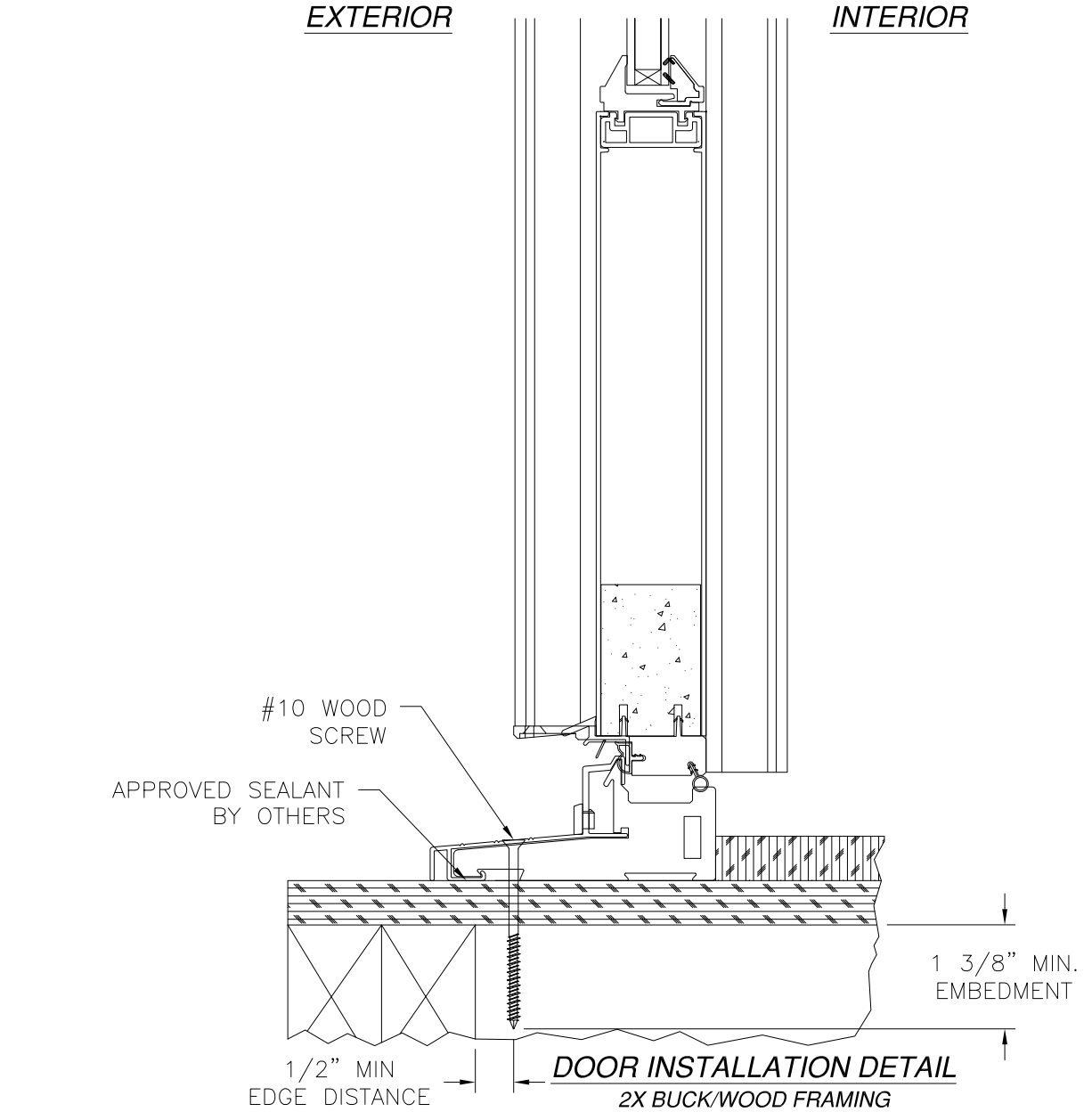
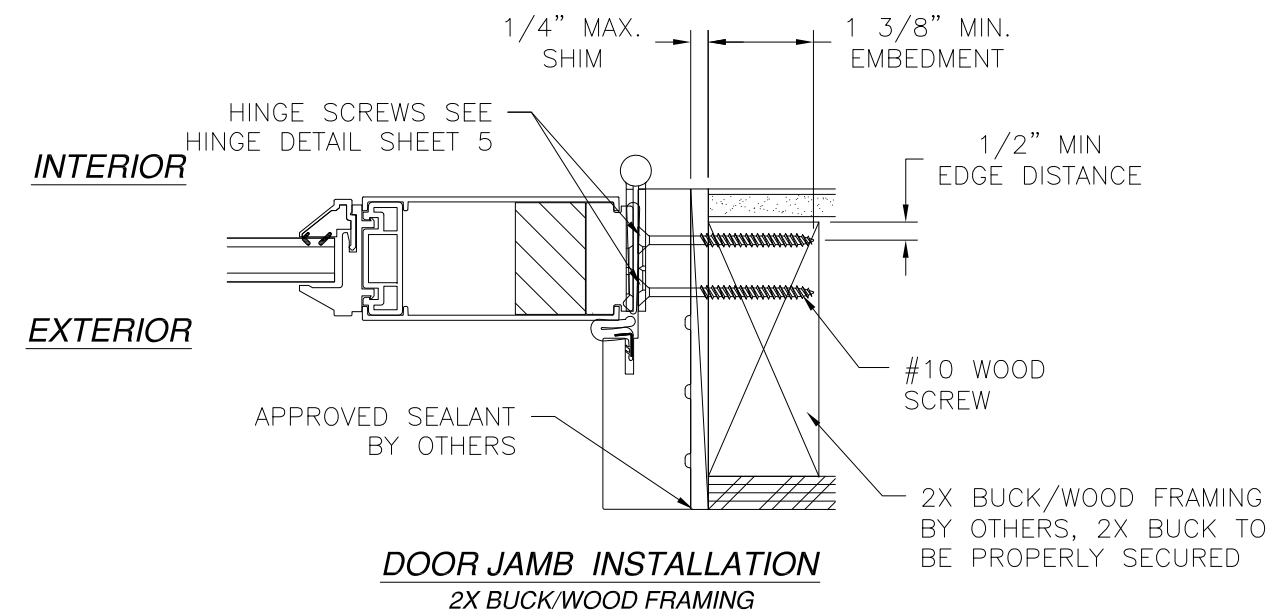
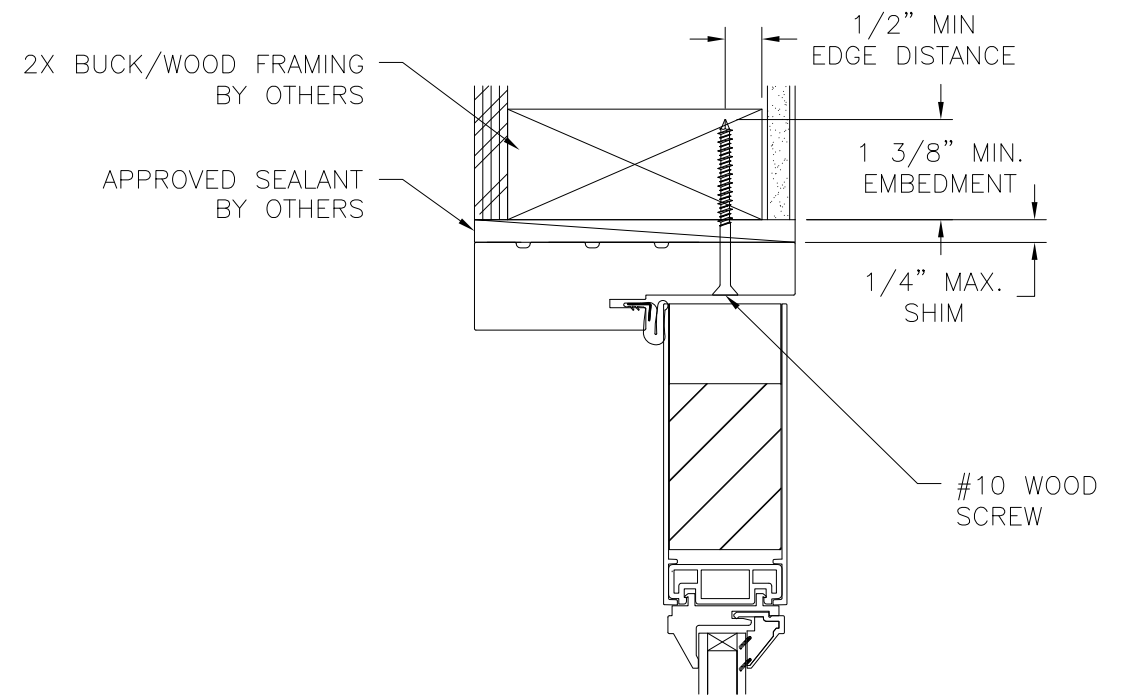
DRAWN: N.G.	DWG NO. 08-02808	REV C
SCALE NTS	DATE 09/01/15	SHEET 5 OF 10

L. ROBERTO LOMAS P.E.
 1432 WOODFORD RD LEWISVILLE, NC 27023
 434-688-0609 rllomas@lrlomaspe.com



Luis R. Lomas P.E.
 TX No.: 101889

REVISIONS			
REV	DESCRIPTION	DATE	APPROVED
C	REVISED PER NEW REQUIREMENTS	12/19/19	R.L.



- NOTES:
1. INTERIOR AND EXTERIOR FINISHES, BY OTHERS, NOT SHOWN FOR CLARITY.
 2. PERIMETER AND JOINT SEALANT BY OTHERS TO BE DESIGNED IN ACCORDANCE WITH ASTM E2112

SIGNED: 01/21/2020

NAN YA PLASTICS CORP. USA
 8989 NORTH LOOP EAST
 HOUSTON, TX 77029

SERIES SLPS IN-SWING GLAZED FIBERGLASS
 SIDE HINGED PATIO DOOR 6'11 NON-IMPACT
 INSTALLATION DETAILS

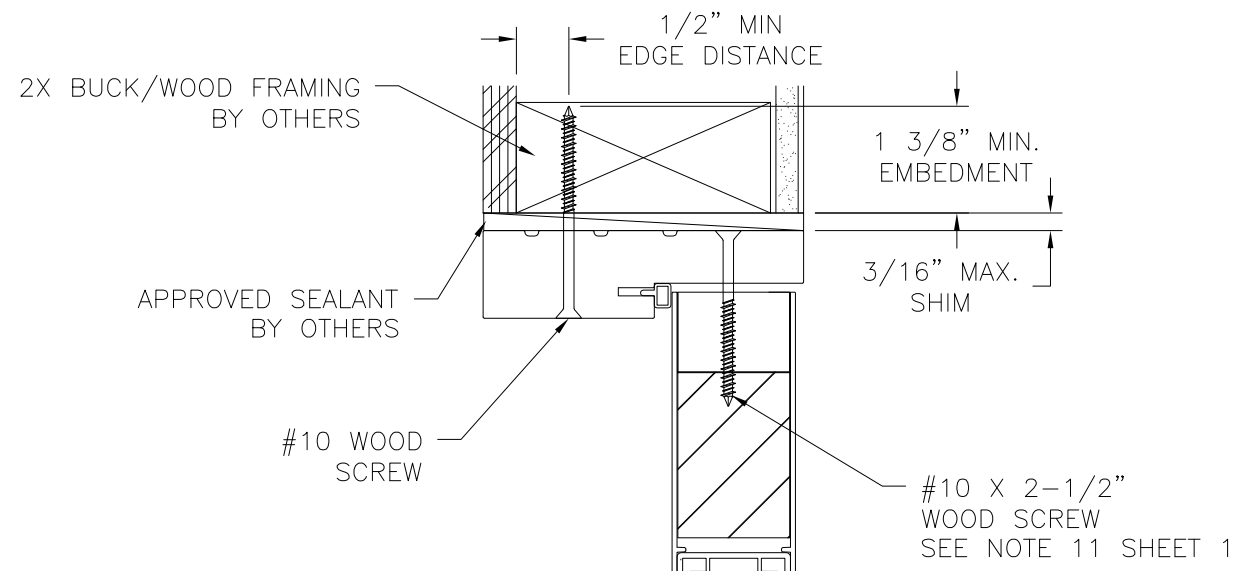
DRAWN: N.G.	DWG NO. 08-02808	REV C
SCALE NTS	DATE 09/01/15	SHEET 6 OF 10

L. ROBERTO LOMAS P.E.
 1432 WOODFORD RD LEWISVILLE, NC 27023
 434-688-0609 rllomas@lrlomaspe.com



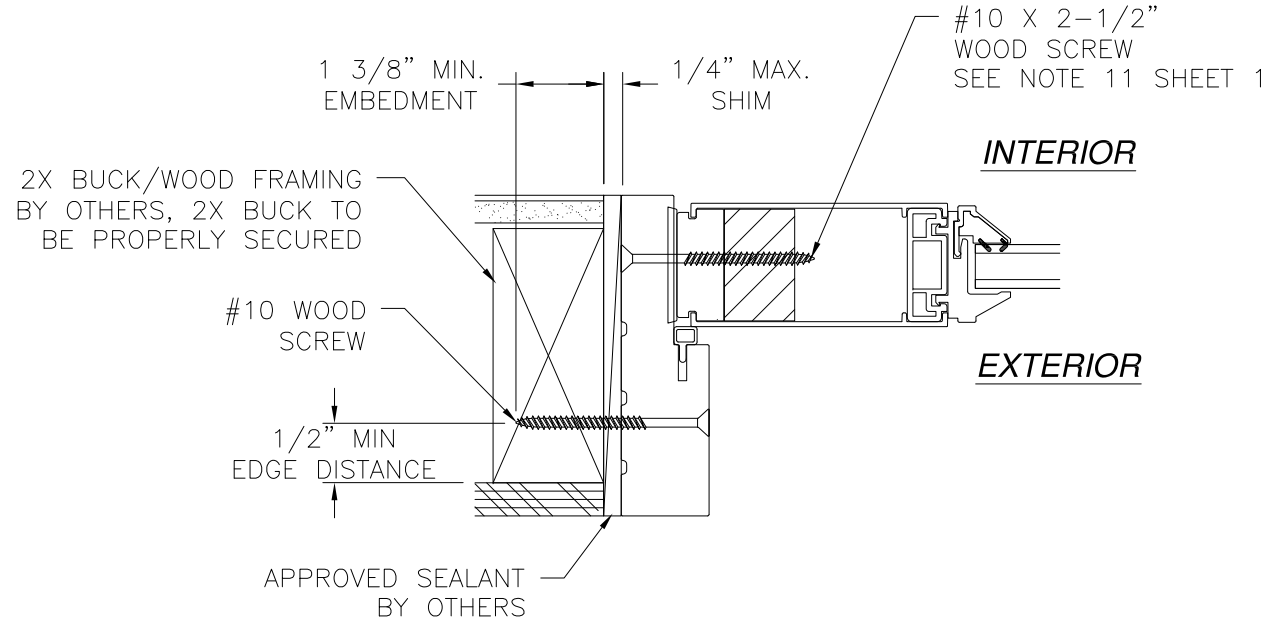
Luis R. Lomas P.E.
 TX No.: 101889

REVISIONS			
REV	DESCRIPTION	DATE	APPROVED
C	REVISED PER NEW REQUIREMENTS	12/19/19	R.L.



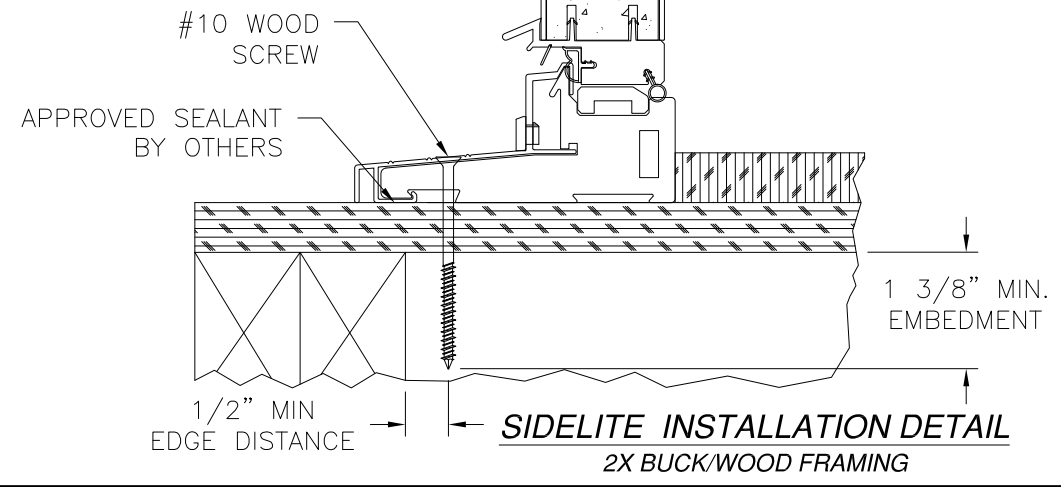
EXTERIOR

INTERIOR



SIDELITE INSTALLATION DETAIL
2X BUCK/WOOD FRAMING

- NOTES:**
1. INTERIOR AND EXTERIOR FINISHES, BY OTHERS, NOT SHOWN FOR CLARITY.
 2. PERIMETER AND JOINT SEALANT BY OTHERS TO BE DESIGNED IN ACCORDANCE WITH ASTM E2112



SIDELITE INSTALLATION DETAIL
2X BUCK/WOOD FRAMING

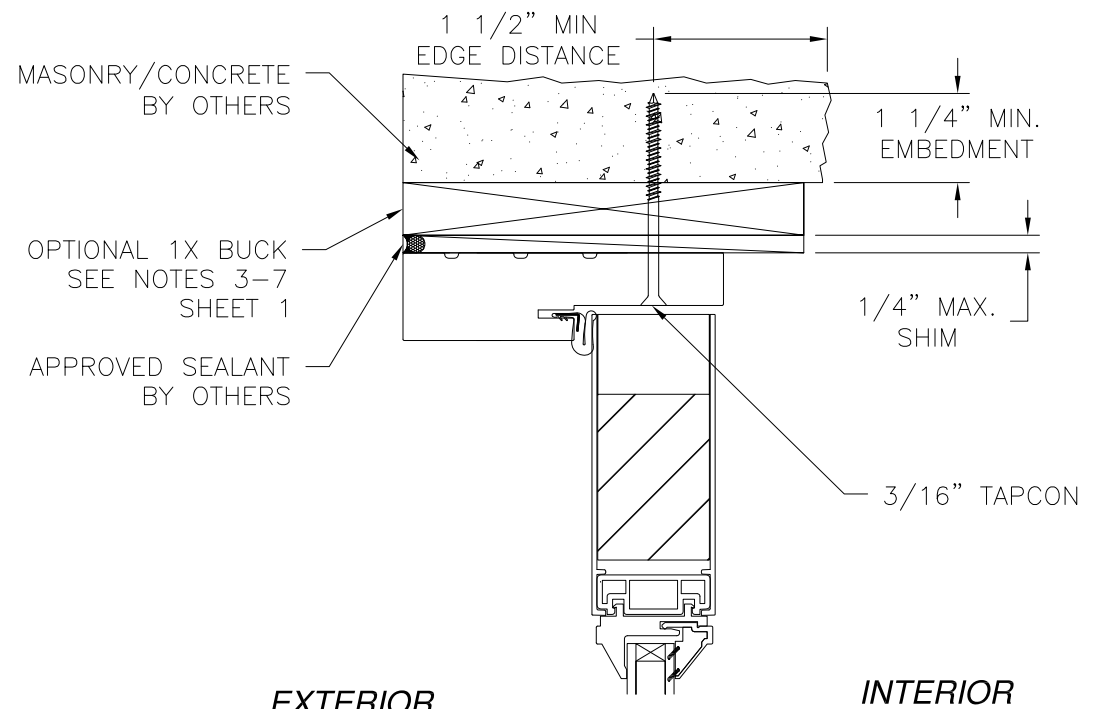
SIGNED: 01/21/2020

<p>NAN YA PLASTICS CORP. USA 8989 NORTH LOOP EAST HOUSTON, TX 77029</p>		
<p>SERIES SLPS IN-SWING GLAZED FIBERGLASS SIDE HINGED PATIO DOOR 6'11 NON-IMPACT INSTALLATION DETAILS</p>		
DRAWN: N.G.	DWG NO. 08-02808	REV C
SCALE NTS	DATE 09/01/15	SHEET 7 OF 10
<p>L. ROBERTO LOMAS P.E. 1432 WOODFORD RD LEWISVILLE, NC 27023 434-688-0609 rllomas@rlomaspe.com</p>		



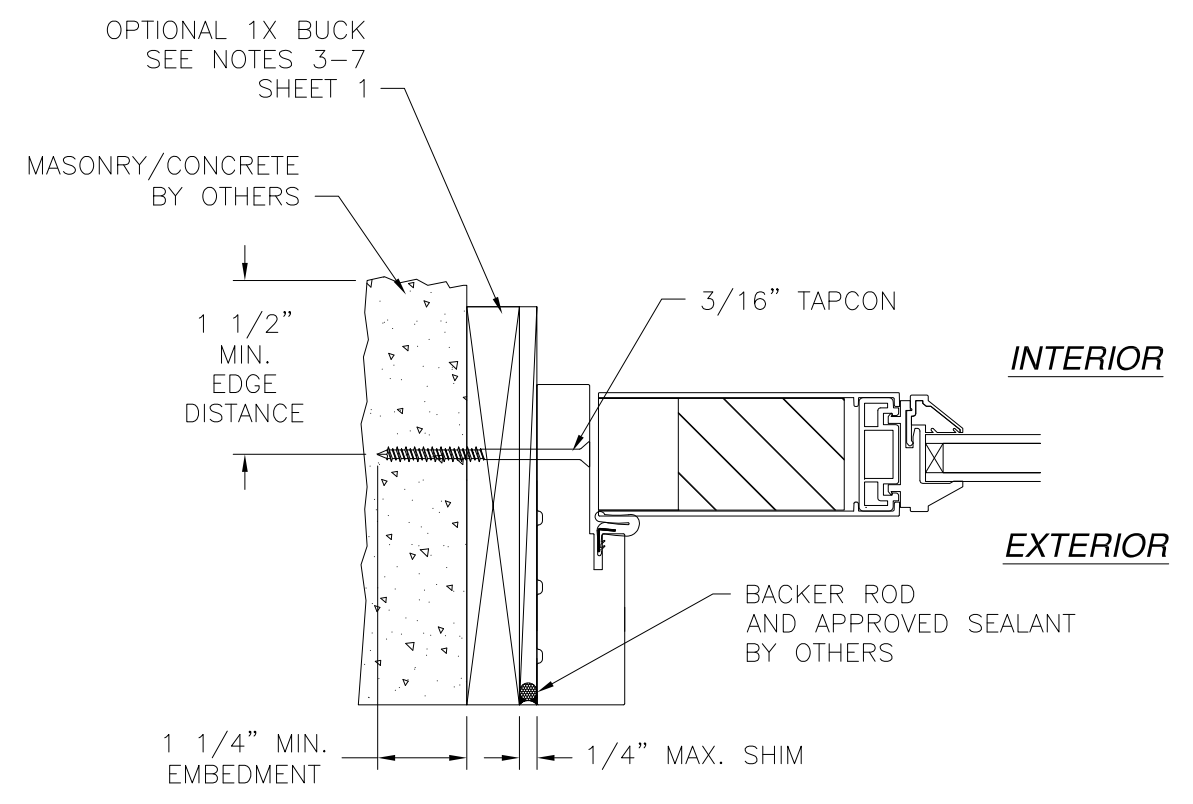
Luis R. Lomas P.E.
TX No.: 101889

REVISIONS			
REV	DESCRIPTION	DATE	APPROVED
C	REVISED PER NEW REQUIREMENTS	12/19/19	R.L.



EXTERIOR

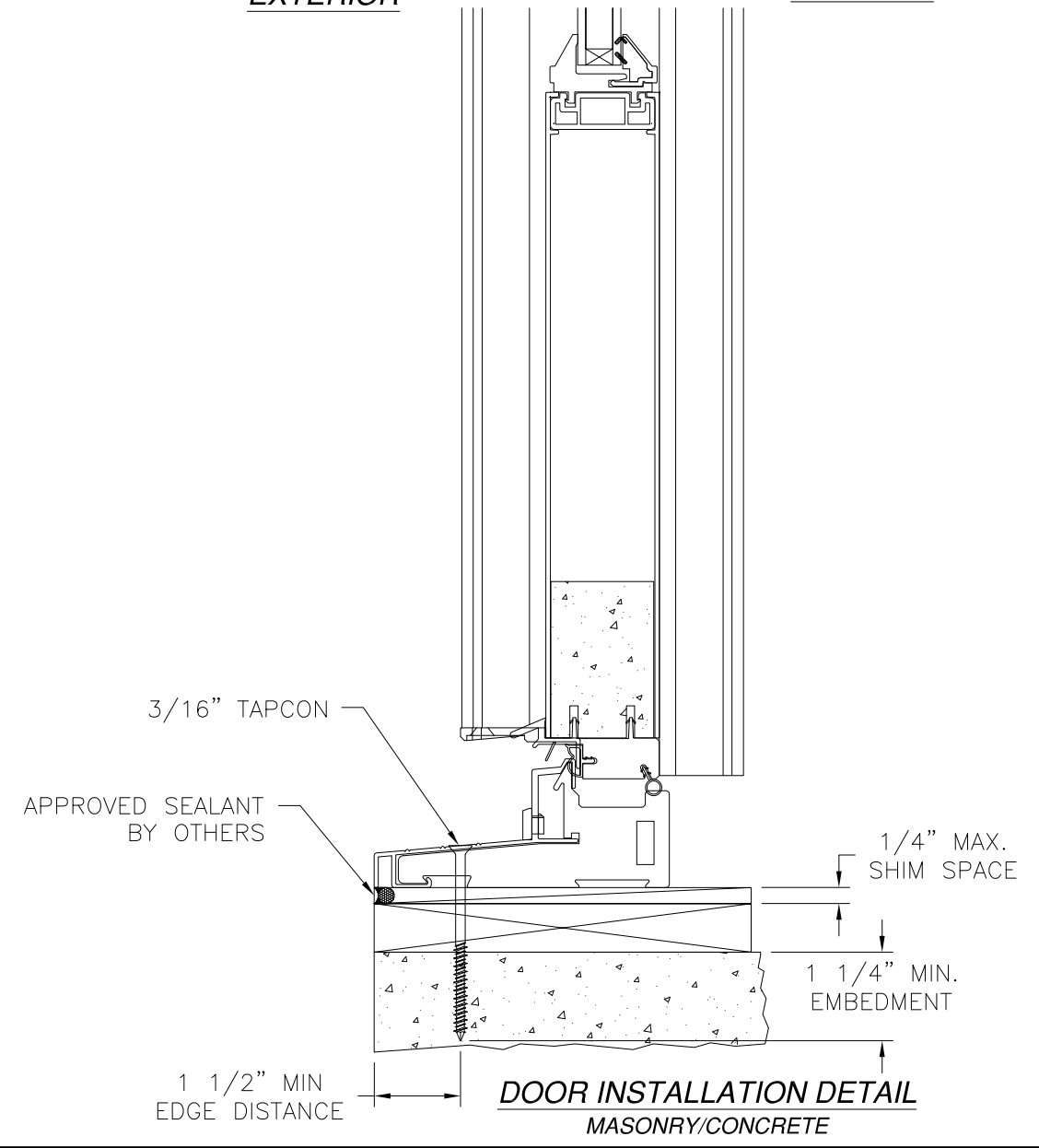
INTERIOR



INTERIOR

EXTERIOR

DOOR JAMB INSTALLATION DETAIL
MASONRY/CONCRETE



DOOR INSTALLATION DETAIL
MASONRY/CONCRETE

- NOTES:**
1. INTERIOR AND EXTERIOR FINISHES, BY OTHERS, NOT SHOWN FOR CLARITY.
 2. PERIMETER AND JOINT SEALANT BY OTHERS TO BE DESIGNED IN ACCORDANCE WITH ASTM E2112

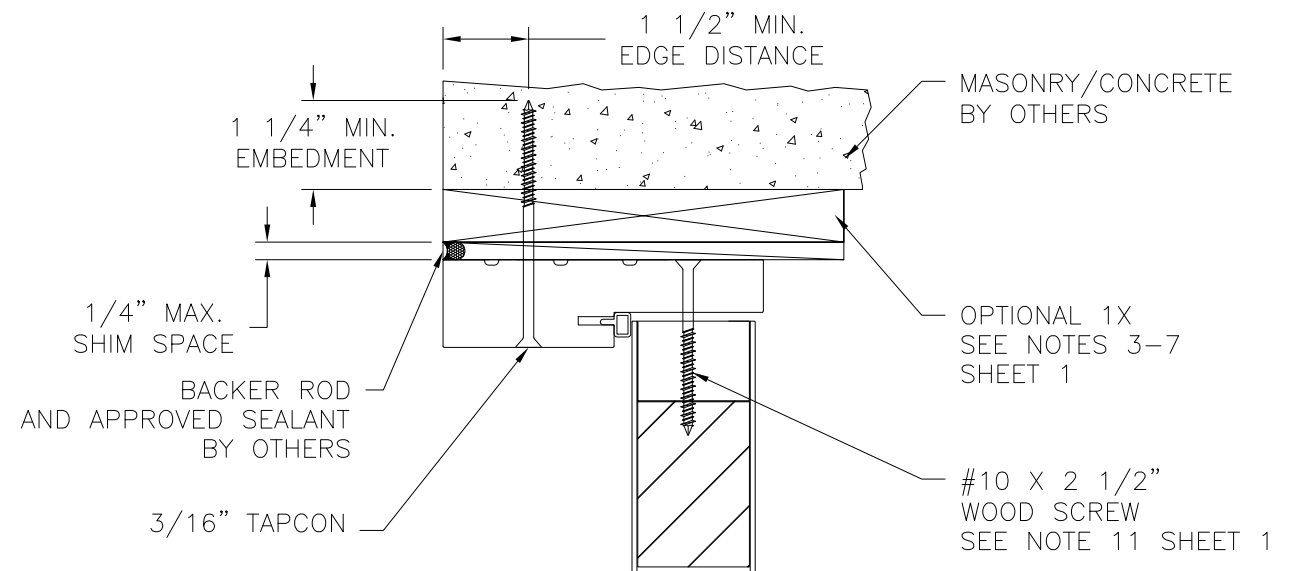
SIGNED: 01/21/2020

<p>NAN YA PLASTICS CORP. USA 8989 NORTH LOOP EAST HOUSTON, TX 77029</p>		
<p>SERIES SLPS IN-SWING GLAZED FIBERGLASS SIDE HINGED PATIO DOOR 6'11 NON-IMPACT INSTALLATION DETAILS</p>		
DRAWN: N.G.	DWG NO. 08-02808	REV C
SCALE NTS	DATE 09/01/15	SHEET 8 OF 10
<p>L. ROBERTO LOMAS P.E. 1432 WOODFORD RD LEWISVILLE, NC 27023 434-688-0609 rllomas@lrlomaspe.com</p>		

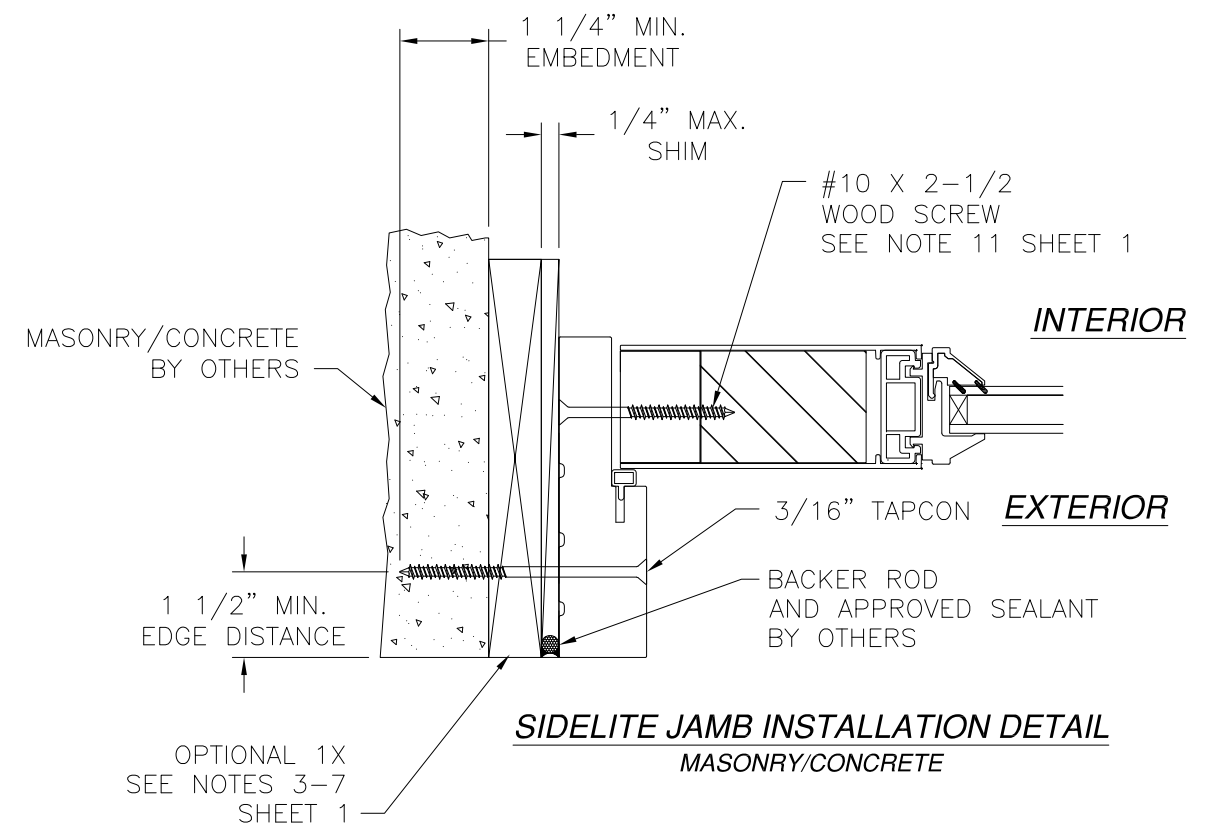


Luis R. Lomas P.E.
TX No.: 101889

REVISIONS			
REV	DESCRIPTION	DATE	APPROVED
C	REVISED PER NEW REQUIREMENTS	12/19/19	R.L.

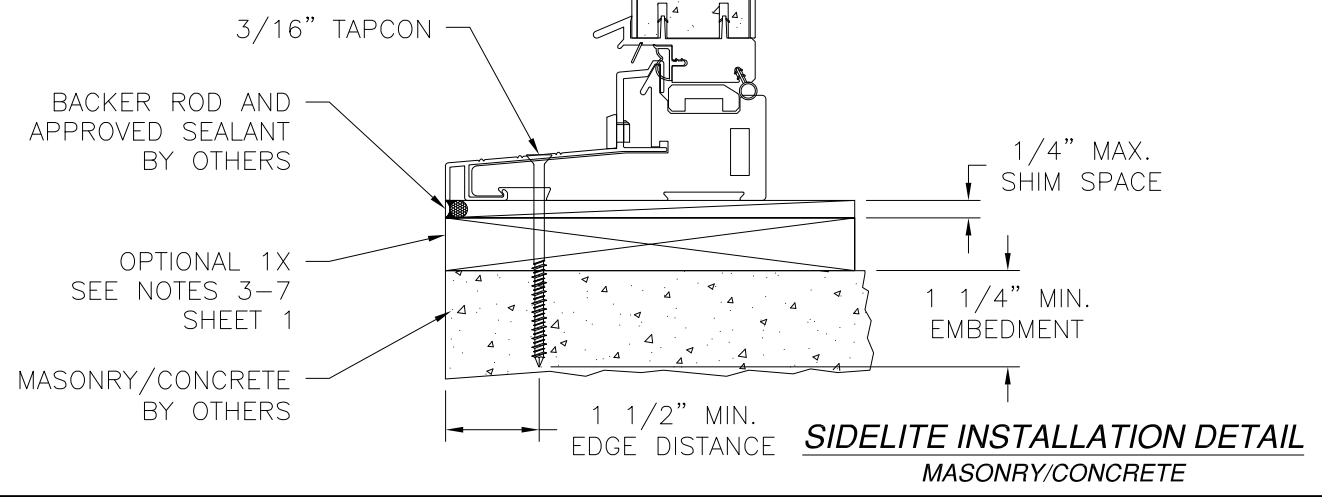


EXTERIOR **INTERIOR**



SIDELITE JAMB INSTALLATION DETAIL
MASONRY/CONCRETE

- NOTES:**
1. INTERIOR AND EXTERIOR FINISHES, BY OTHERS, NOT SHOWN FOR CLARITY.
 2. PERIMETER AND JOINT SEALANT BY OTHERS TO BE DESIGNED IN ACCORDANCE WITH ASTM E2112



SIDELITE INSTALLATION DETAIL
MASONRY/CONCRETE

NAN YA PLASTICS CORP. USA
8989 NORTH LOOP EAST
HOUSTON, TX 77029

SERIES SLPS IN-SWING GLAZED FIBERGLASS
SIDE HINGED PATIO DOOR 6'11 NON-IMPACT
INSTALLATION DETAILS

DRAWN: N.G.	DWG NO. 08-02808	REV C
SCALE NTS	DATE 09/01/15	SHEET 9 OF 10

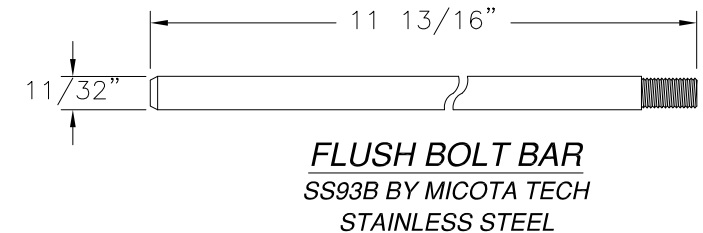
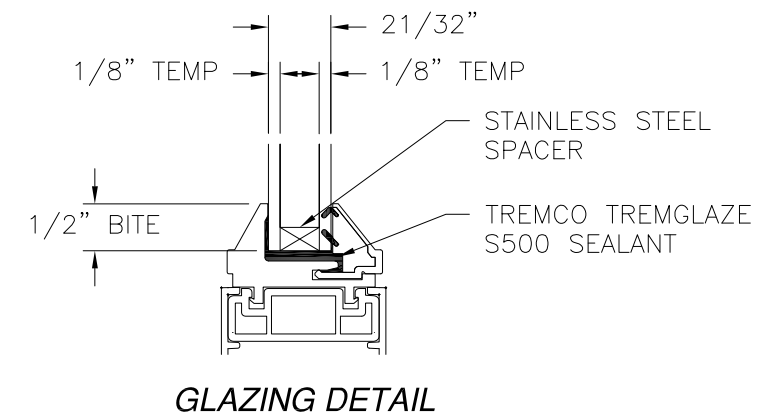
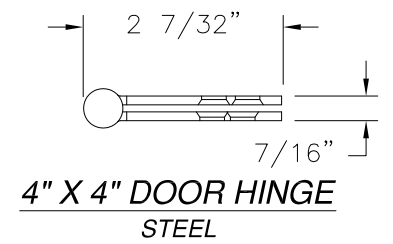
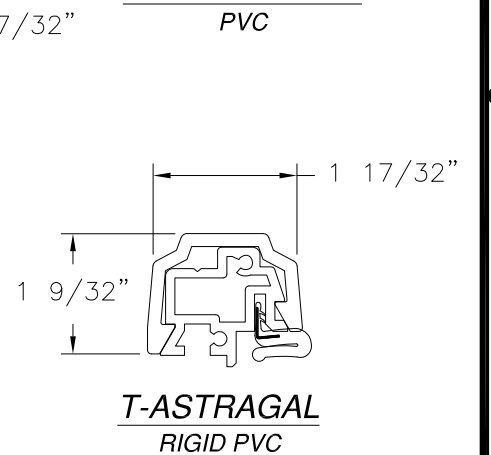
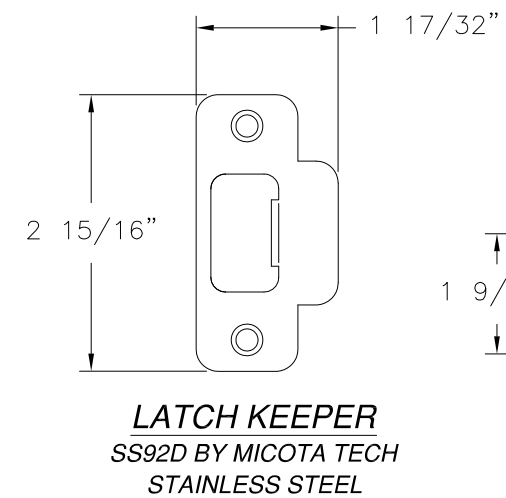
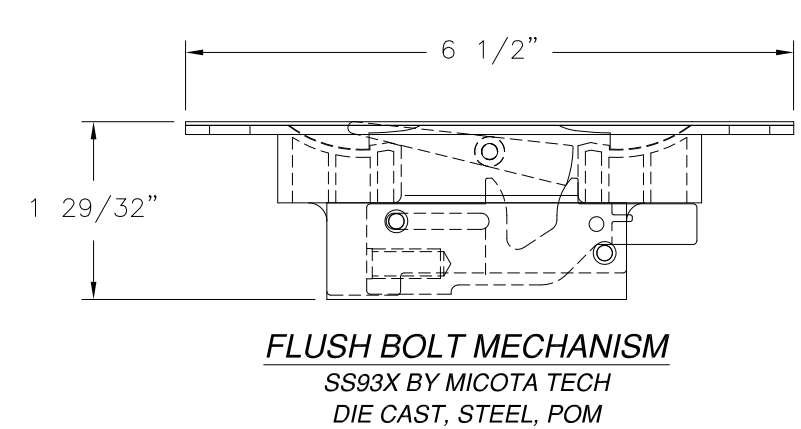
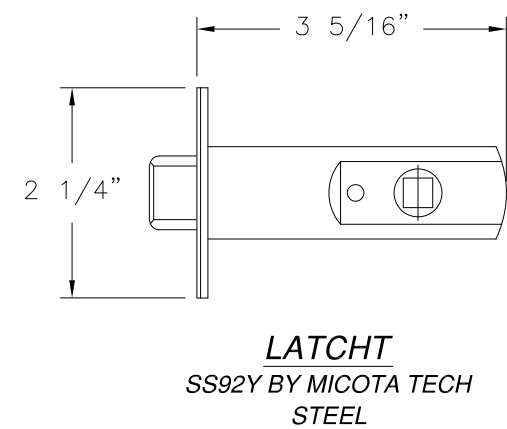
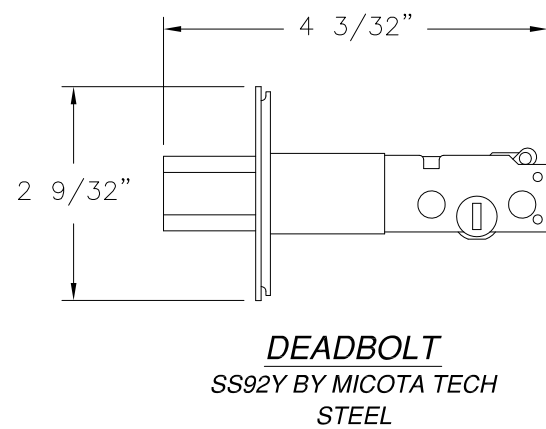
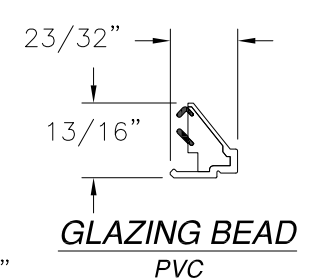
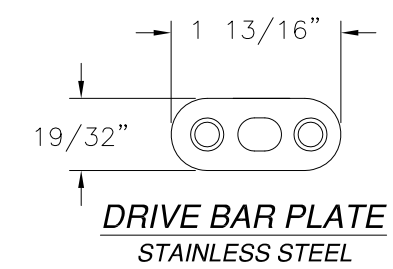
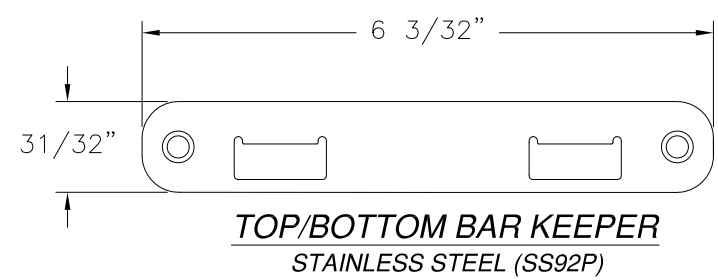
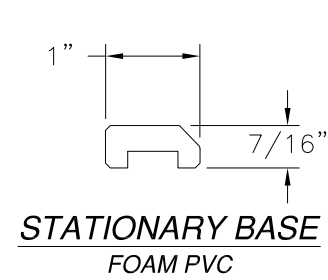
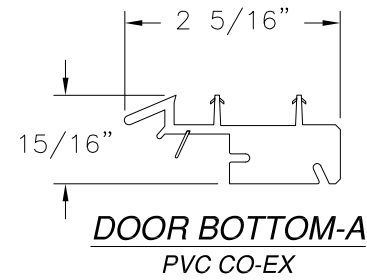
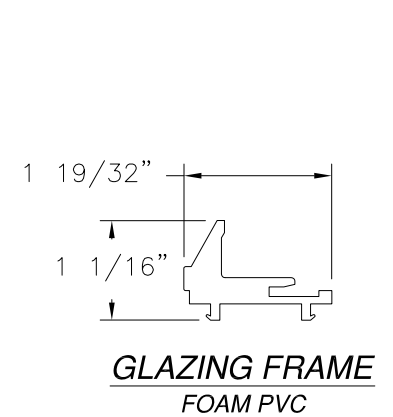
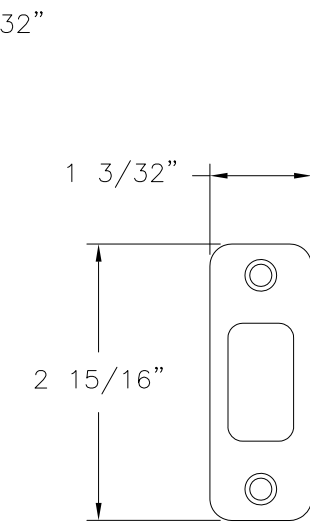
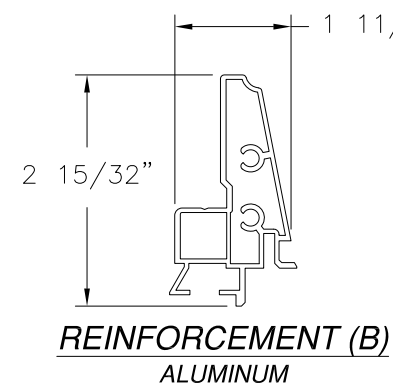
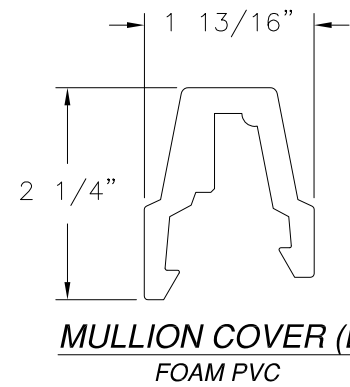
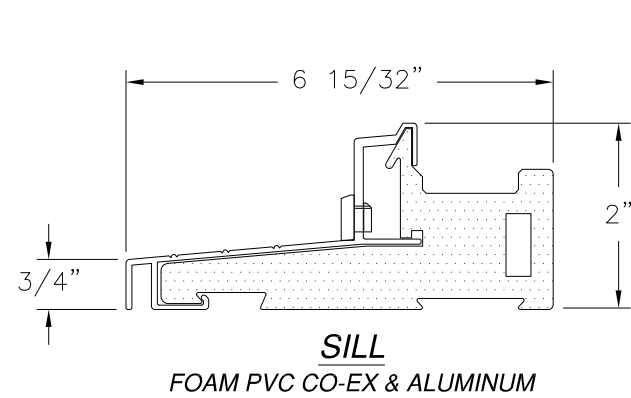
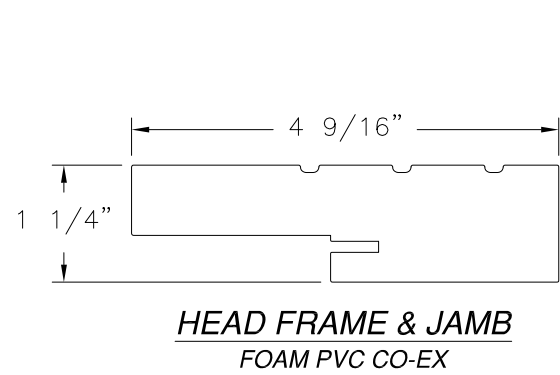
L. ROBERTO LOMAS P.E.
1432 WOODFORD RD LEWISVILLE, NC 27023
434-688-0609 rllomas@lrlomaspe.com

SIGNED: 01/21/2020



Luis R. Lomas P.E.
TX No.: 101889

REVISIONS			
REV	DESCRIPTION	DATE	APPROVED
C	REVISED PER NEW REQUIREMENTS	12/19/19	R.L.



NAN YA PLASTICS CORP. USA
 8989 NORTH LOOP EAST
 HOUSTON, TX 77029

SERIES SLPS IN-SWING GLAZED FIBERGLASS
 SIDE HINGED PATIO DOOR 6'11 NON-IMPACT
 COMPONENTS

DRAWN: N.G.	DWG NO. 08-02808	REV C
SCALE NTS	DATE 09/01/15	SHEET 10 OF 10

L. ROBERTO LOMAS P.E.
 1432 WOODFORD RD LEWISVILLE, NC 27023
 434-688-0609 rllomas@rlomaspe.com

SIGNED: 01/21/2020



Luis R. Lomas P.E.
 TX No.: 101889