

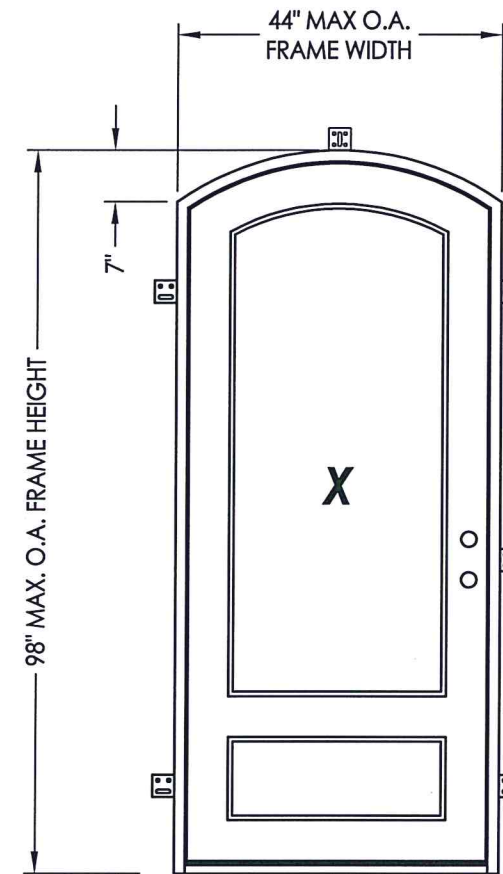


# COMPLEX INDUSTRIES

5768 Distribution Dr.  
Memphis, TN 38141

## GLAZED IRON ARCH TOP SINGLE DOOR

**INSWING**  
**"NON-IMPACT"**



### EVALUATED FOR USE IN THE STATE OF TEXAS

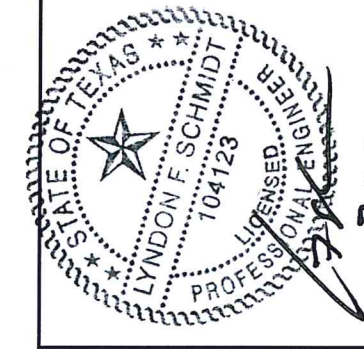
The Iron Door system described herein complies with the 2018 International Residential Code (IRC), Sections R301 & R609 and the 2018 International Building Code (IBC), Sections 1404.13, 1609, 1709.5, 2403 and 2404 subject to the following conditions:

1. Anchors shall be as listed and spaced as shown in the details. Anchor embedment to base material shall be beyond wall dressing or stucco.
2. When used in areas requiring wind-borne debris protection, this system is required to be protected with an impact resistant covering that complies with Section R301.2.1.2 of the IRC and Section 1609.2 of the IBC.
3. Allowable design pressure requirements must be equal to or less than the design pressure rating shown in the design pressure chart, sheet 1 of this drawing.
4. Conditions not covered by this drawing are subject to further engineering analysis.

**TABLE OF CONTENTS**

SHEET#	DESCRIPTION
1	Typical elevations, design pressures, & general notes
2	Door panel details
3	Horizontal and vertical cross sections
4	Frame anchoring
5	Bill of materials and components

OVERALL FRAME DIMENSION	OVERALL D.L.O. DIMENSION	GLASS TYPE	DESIGN PRESSURE (PSF)	
			POSITIVE	NEGATIVE
44" x 98"	28.25" x 65.5"	G1	+65.0	-70.0



Documents Prepared By: Lyndon F. Schmidt, P.E.  
TEXAS P.E. #104123

**RW** BUILDING CONSULTANTS, INC.  
P.O. Box 230 Valrico FL 33595  
Phone No.: 813.659.9197

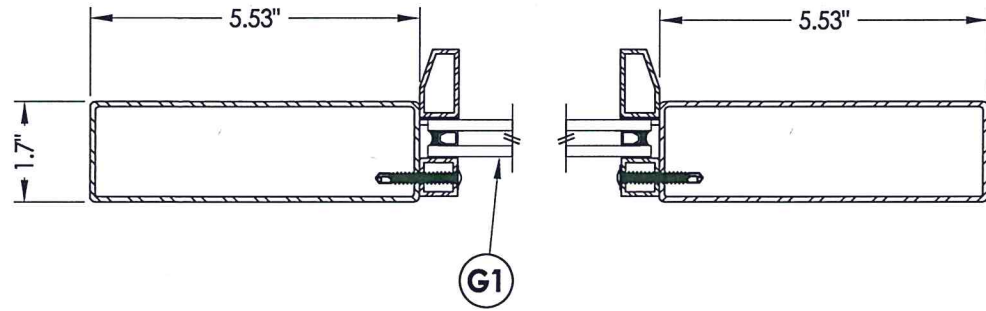
TEXAS BOARD OF PROFESSIONAL ENGINEERS  
CERTIFICATE OF REGISTRATION # F-11852

PRODUCT: COMPLEX INDUSTRIES  
GLAZED IRON DOOR  
PART OR ASSEMBLY:  
TYPICAL ELEVATIONS, DESIGN  
PRESSURES & GENERAL NOTES

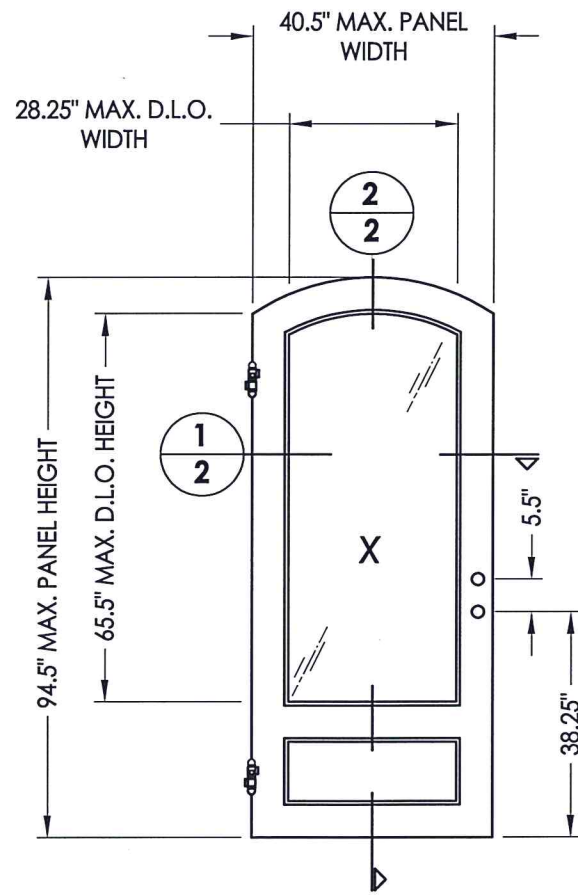
NO.	DATE	BY
1	7/02/20	LFS
UPDATE TO 2018 IBC/IRC CODE		
REVISIONS		

DATE: 2/01/16  
SCALE: N.T.S.  
DWG. BY: JK  
CHK. BY: LFS  
DRAWING NO.: TX-4598  
SHEET 1 OF 5

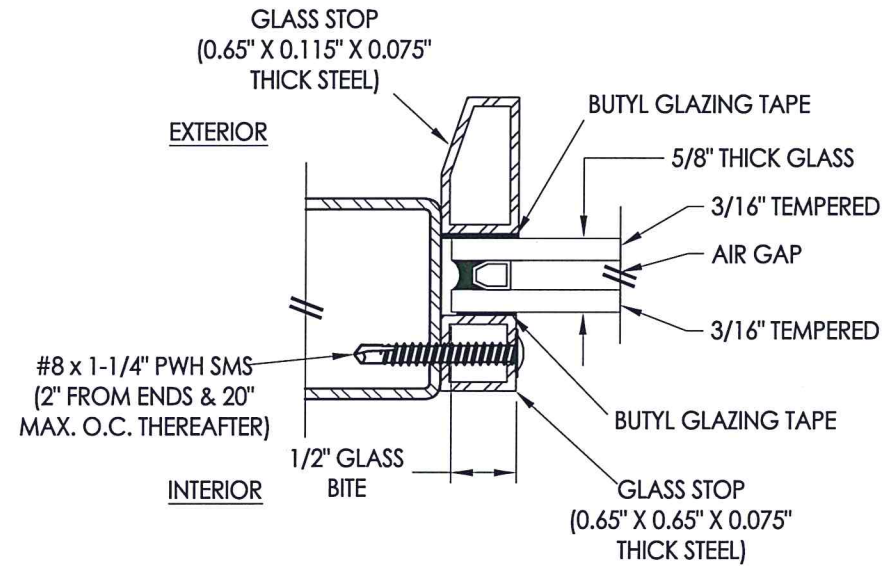
R:\Clients\Complex Industries PERMANENT\B - Texas Dept of Ins\TDI DR-790 - 8'0" Glazed Iron Entry Doors, Inswing, Singles & Doubles, NIC - Drawings\2020 IBC Update\TX-4598-99.dwg, 1.2



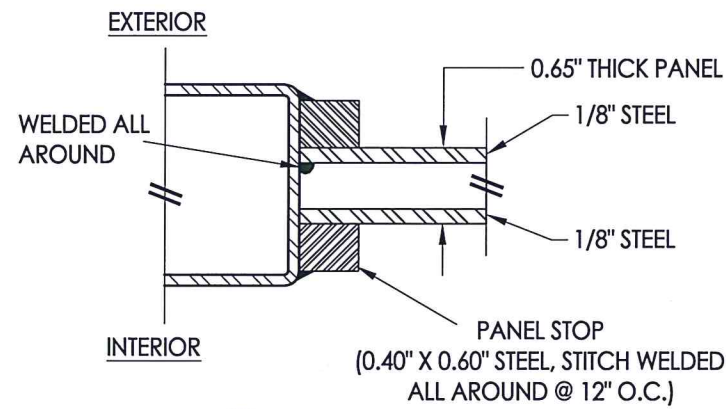
**1**  
**2** HORIZONTAL CROSS SECTION



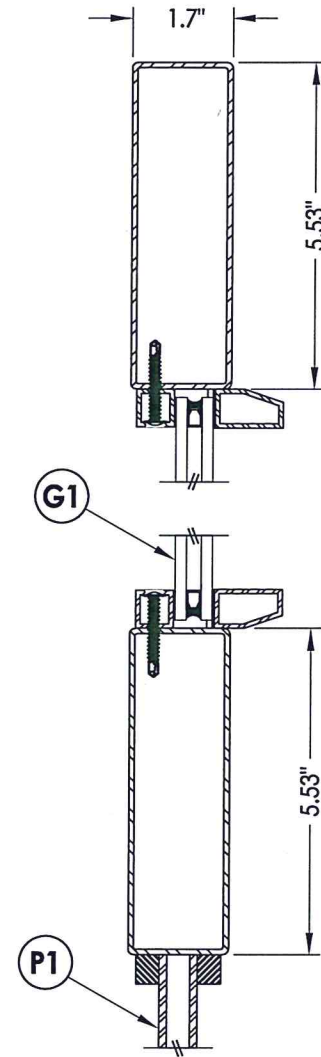
**30** DOOR PANEL



**G1** GLAZING DETAIL



**P1** PANEL DETAIL



**2**  
**2** VERTICAL CROSS SECTION



Documents Prepared By: Lyndon F. Schmidt, P.E.  
TEXAS P.E. #104123

**RW** BUILDING CONSULTANTS, INC.  
P.O. Box 230 Vairico FL 33595  
Phone No.: 813.659.9197  
TEXAS BOARD OF PROFESSIONAL ENGINEERS  
CERTIFICATE OF REGISTRATION # F-11852

PRODUCT: COMPLEX INDUSTRIES  
GLAZED IRON DOOR

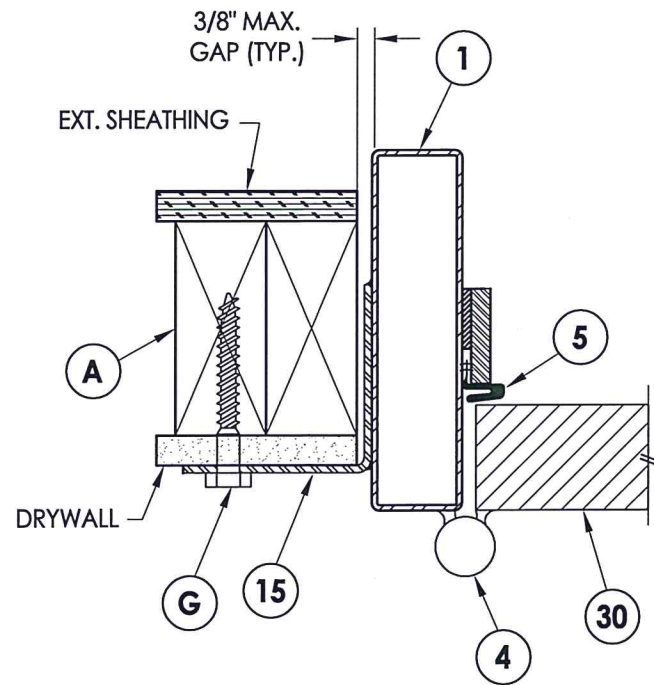
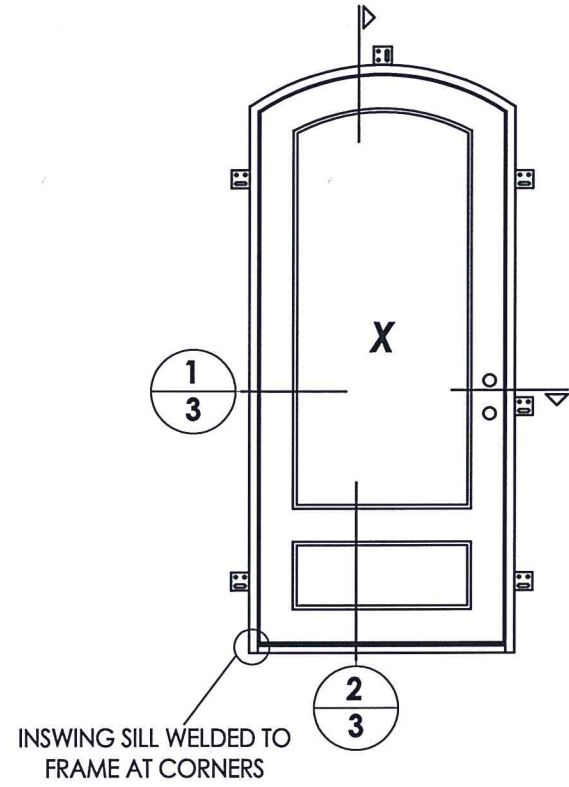
PART OR ASSEMBLY:  
DOOR PANEL  
DETAILS

NO.	DATE	DESCRIPTION	BY
1	7/02/20	UPDATE TO 2018 IBC/IRC CODE	LFS

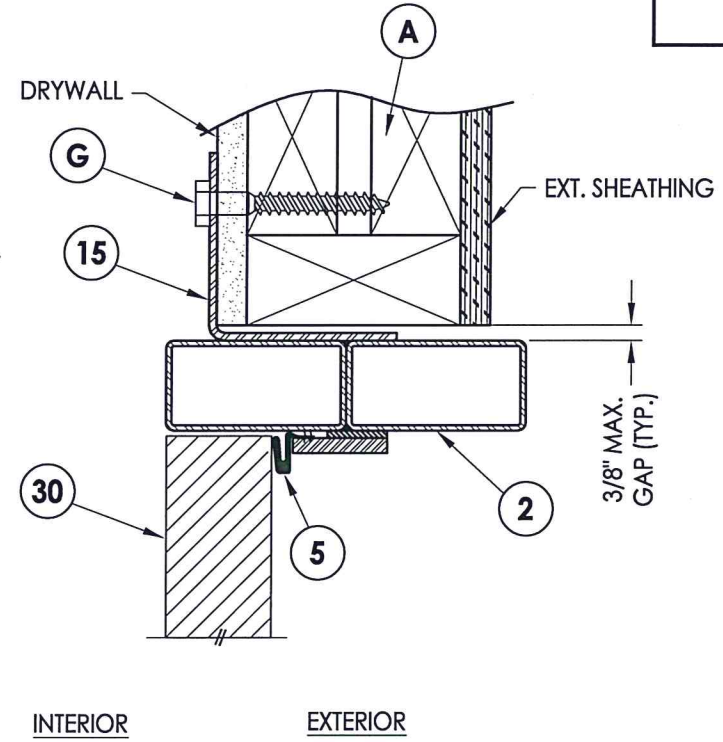
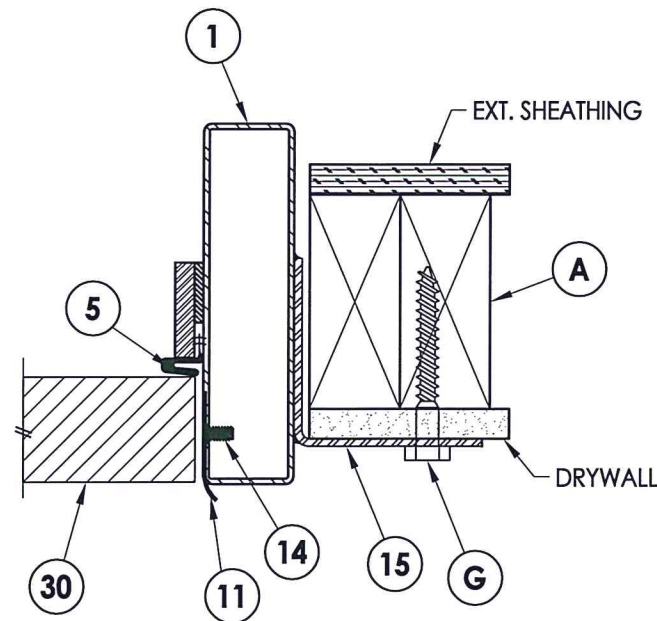
DATE: 2/01/16  
SCALE: N.T.S.  
DWG. BY: JK  
CHK. BY: LFS  
DRAWING NO.: TX-4598  
SHEET 2 OF 5



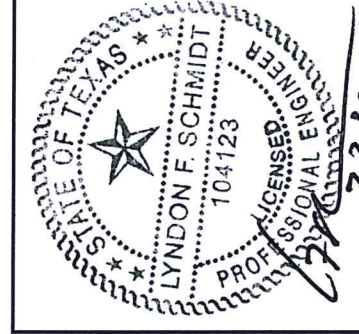
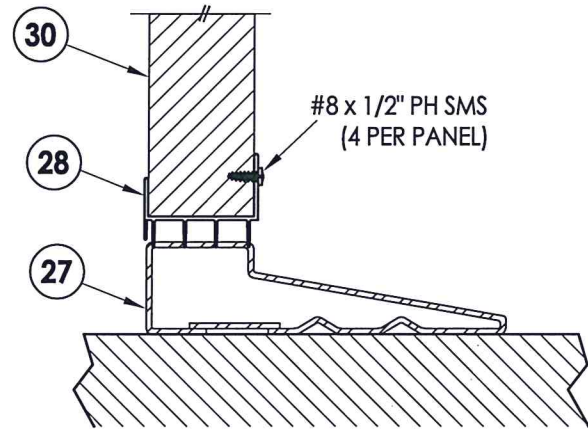
R:\Clients\Complex Industries PERMANENT\B - Texas Dept of Ins\TDI DR-790 - 8'0" Glazed Iron Entry Doors, Inswing, Singles & Doubles, N/C - Drawings\2020 IBC Update\TX-4598-99.dwg, 1.3



**1**  
**3** HORIZONTAL CROSS SECTION



**2**  
**3** VERTICAL CROSS SECTION



Documents Prepared By: Lyndon F. Schmidt, P.E.  
TEXAS P.E. #104123

**RW** BUILDING CONSULTANTS, INC.  
P.O. Box 230 Valrico FL 33595  
Phone No.: 813.659.9197

TEXAS BOARD OF PROFESSIONAL ENGINEERS  
CERTIFICATE OF REGISTRATION # F-11852

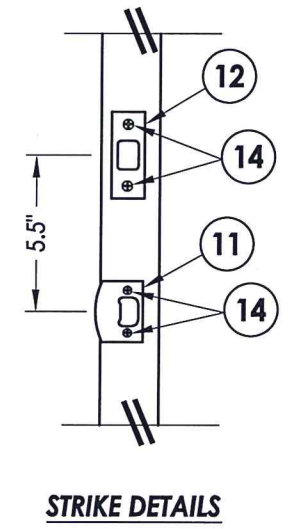
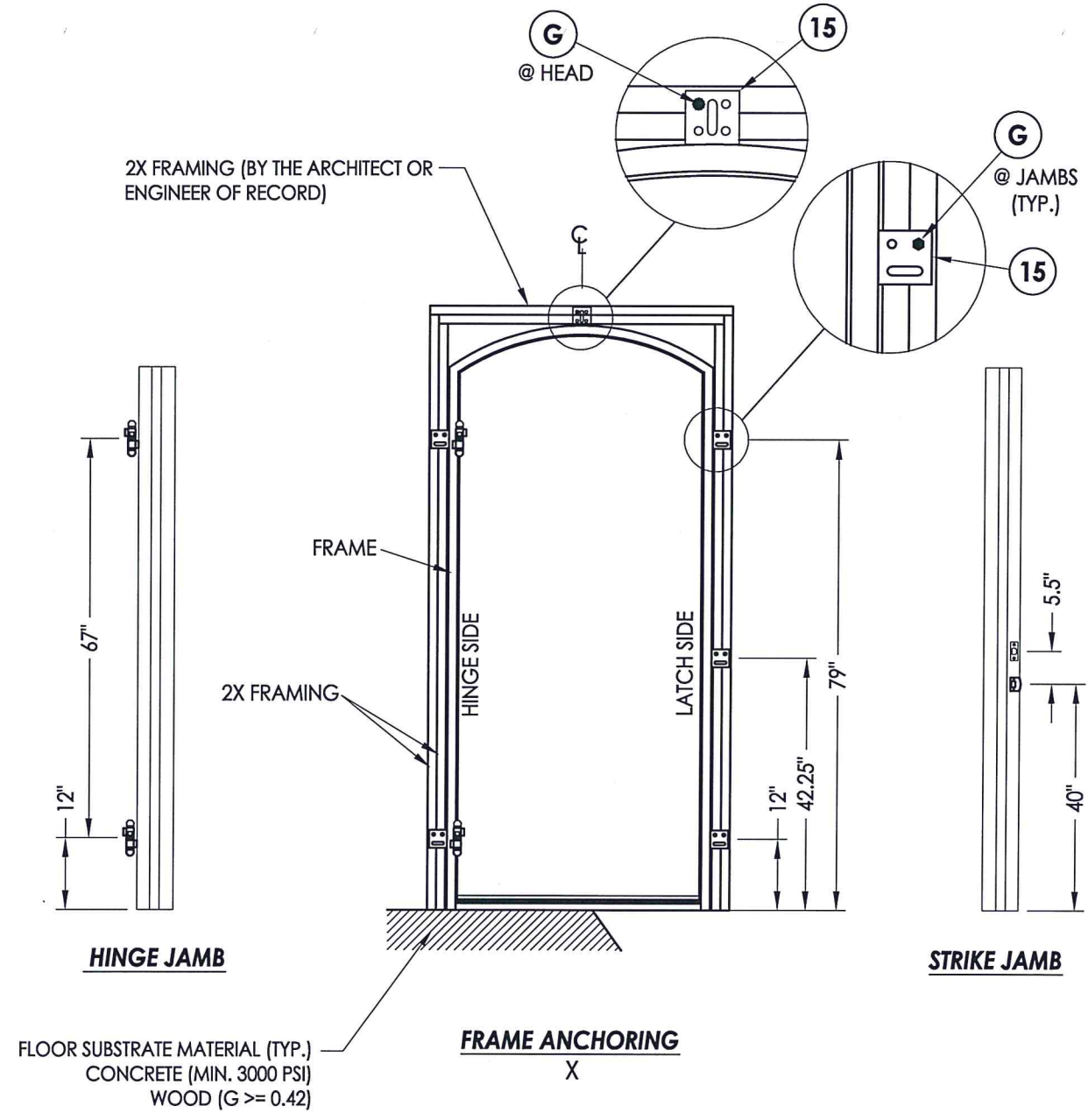
PRODUCT: COMPLEX INDUSTRIES  
GLAZED IRON DOOR

PART OR ASSEMBLY:  
HORIZONTAL & VERTICAL  
CROSS SECTIONS

NO.	DATE	REVISIONS	LFS	BY
1	7/02/20	UPDATE TO 2018 IBC/IRC CODE	LFS	BY

DATE: 2/01/16  
SCALE: N.T.S.  
DWG. BY: JK  
CHK. BY: LFS  
DRAWING NO.: TX-4598  
SHEET 3 OF 5

R:\Clients\Complex Industries PERMANENT\B - Texas Dept of Ins\TDI DR-790 - 8'0" Glazed Iron Entry Doors, Inswing, Singles & Doubles, N/C - Drawings\2020 IBC Update\TX-4598-99.dwg, 1.4



Documents Prepared By: Lyndon F. Schmidt, P.E.  
 TEXAS P.E. #104123

**RW** BUILDING CONSULTANTS, INC.  
 P.O. Box 230 Valrico FL 33595  
 Phone No.: 813.659.9197

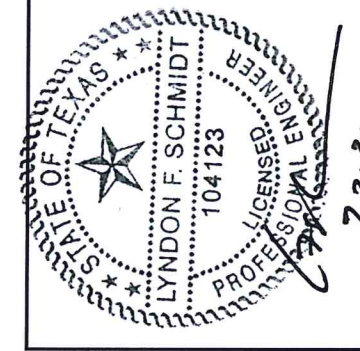
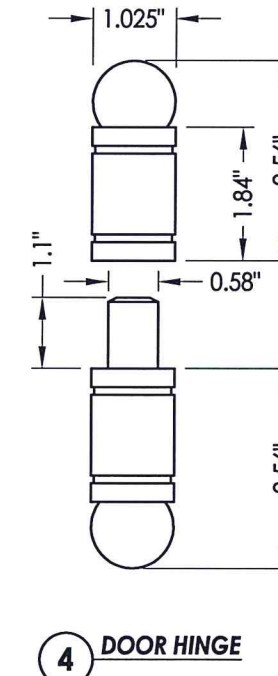
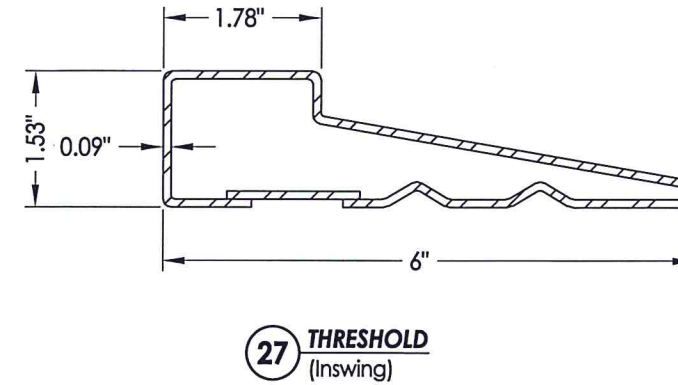
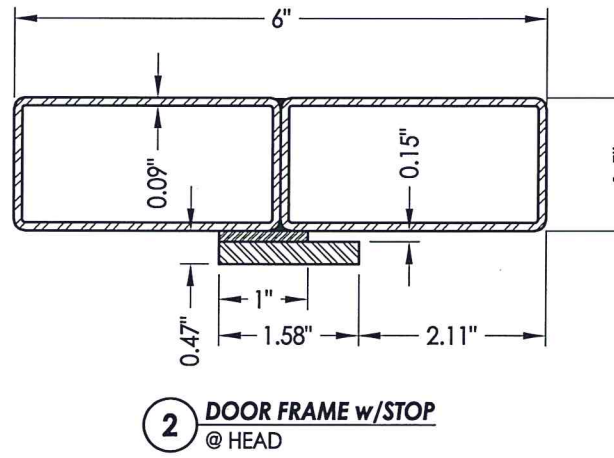
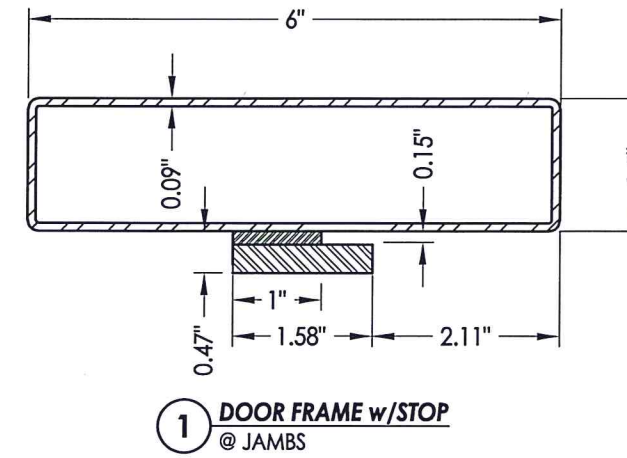
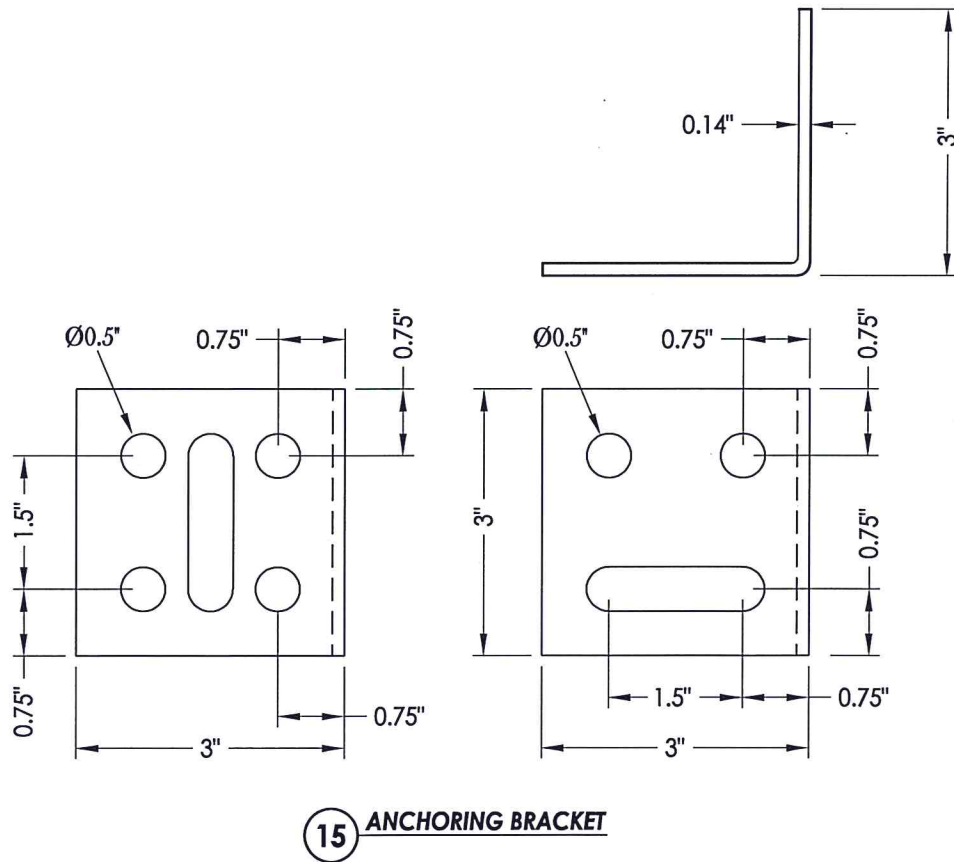
TEXAS BOARD OF PROFESSIONAL ENGINEERS  
 CERTIFICATE OF REGISTRATION # F-11852

PRODUCT:		COMPLEX INDUSTRIES GLAZED IRON DOOR	
PART OR ASSEMBLY:		FRAME ANCHORING	
NO.	DATE	DESCRIPTION	BY
1	7/02/20	UPDATE TO 2018 IBC/IRC CODE	LFS
			REVISIONS
DATE: 2/01/16			
SCALE: N.T.S.			
DWG. BY: JK			
CHK. BY: LFS			
DRAWING NO.: TX-4598			
SHEET 4 OF 5			



BILL OF MATERIALS		
ITEM #	DESCRIPTION	MATERIAL
A	2X FRAMING (SG >= 0.42)	WOOD
C	1/4" MAX. SHIM	-
G	3/8" X 3" HH LAG SCREW (2" MIN. THREAD EMBEDMENT)	STEEL
1	DOOR FRAME w/ STOP	STEEL
2	DOOR FRAME w/ STOP	STEEL
4	DOOR HINGE	STEEL
5	WEATHERSTRIP	FOAM
10	#8 X 1" PFH SELF-DRILLING SMS	STEEL
11	LATCH STRIKE PLATE	STEEL
12	DEADBOLT STRIKE PLATE	STEEL
14	#9 x 1/2" PFH SMS	STEEL
15	ANCHORING BRACKET	STEEL
27	INSWING THRESHOLD	STEEL
28	DOOR SWEEP	PVC
29	#12 X 1" PFH SELF-DRILLING SMS	STEEL
30	DOOR PANEL	STEEL

NOTE: ALL DOOR FRAME TUBULAR STEEL SHALL BE ASTM A36 STEEL



Documents Prepared By: Lyndon F. Schmidt, P.E.  
TEXAS P.E. #104123

**RW** BUILDING CONSULTANTS, INC.  
P.O. Box 230 Valrico FL, 33595  
Phone No.: 813.659.9197

TEXAS BOARD OF PROFESSIONAL ENGINEERS  
CERTIFICATE OF REGISTRATION # F-11852

PRODUCT:	COMPLEX INDUSTRIES GLAZED IRON DOOR	
PART OR ASSEMBLY:	BILL OF MATERIALS AND COMPONENTS	
DATE:	2/01/16	
SCALE:	N.T.S.	
DWG. BY:	JK	
CHK. BY:	LFS	
DRAWING NO.:	TX-4598	
SHEET	5 OF 5	
NO.	DATE	DESCRIPTION
1	7/02/20	UPDATE TO 2018 IBC/IRC CODE
		REVISIONS