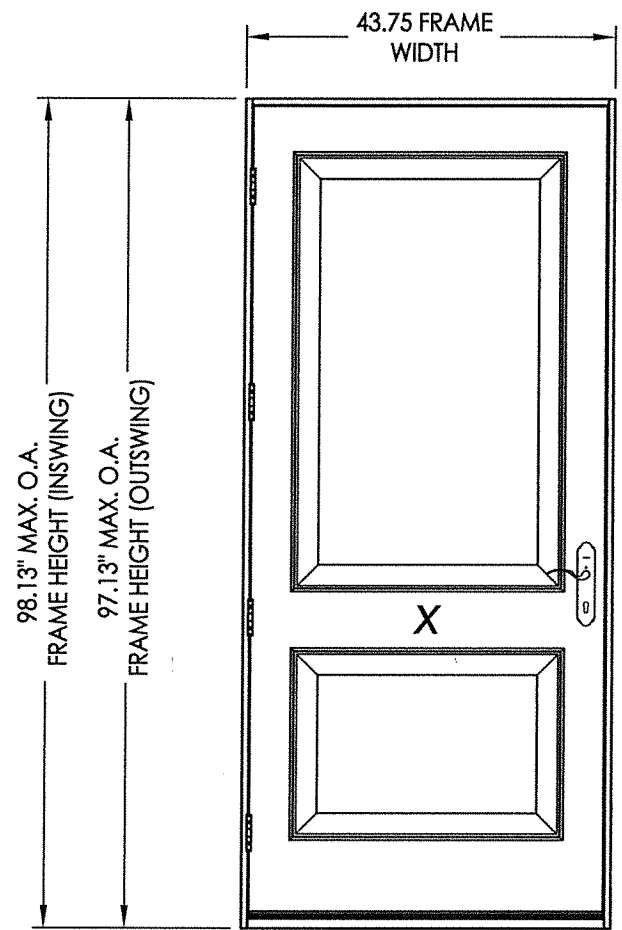


# THERMA-TRU® DOORS

Classic-Craft®

## OPAQUE FIBERGLASS DOOR IN SWING / OUT SWING "NON-IMPACT"



### EVALUATED FOR USE IN THE STATE OF TEXAS

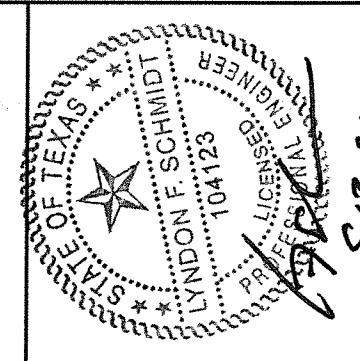
The Fiberglass Door system described herein complies with the 2018 International Residential Code (IRC), Sections R301 & R609 and the 2018 International Building Code (IBC), Sections 1404.13, 1609, 1709.5, 2403 and 2404 subject to the following conditions:

1. Anchors shall be as listed and spaced as shown in the details. Anchor embedment to base material shall be beyond wall dressing or stucco.
2. When used in areas requiring wind-borne debris protection, this system is required to be protected with an impact resistant covering that complies with Section R301.2.1.2 of the IRC and Section 1609.2 of the IBC.
3. Allowable design pressure requirements must be equal to or less than the design pressure rating shown in the design pressure chart, sheet 1 of this drawing.
4. Conditions not covered by this drawing are subject to further engineering analysis.

TABLE OF CONTENTS	
SHEET#	DESCRIPTION
1	Typical Elevations, Design Pressures & General Notes
2	Door Panel Details
3	Elevations
4	Horizontal & Vertical Cross Sections
5	Vertical Cross Sections (Thresholds)
6	Buck & Frame Anchoring & Hardware Details
7	Bill of Materials and Components

CONFIGURATION	Lock Hardware	DESIGN PRESSURE (PSF) IN SWING		DESIGN PRESSURE (PSF) OUT SWING	
		POSITIVE	NEGATIVE	POSITIVE	NEGATIVE
X	Multipoint*	+65.0	-75.0	+65.0	-65.0
X	Kwikset*	+60.0	-70.0	+60.0	-60.0
X	Schlage*	+60.0	-70.0	+60.0	-60.0

\*See Sheet 3 for Hardware Specifications



Documents Prepared By: Lyndon F. Schmidt, P.E.  
TEXAS P.E. #104123

**RW** BUILDING CONSULTANTS, INC.  
P.O. Box 230 Valrico FL 33595  
Phone No.: 813.659.9197

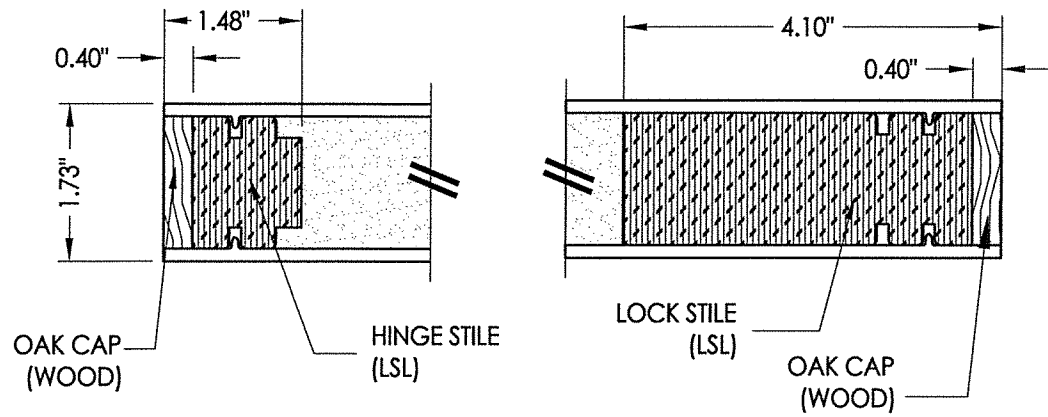
TEXAS BOARD OF PROFESSIONAL ENGINEERS  
CERTIFICATE OF REGISTRATION # F-11852

PRODUCT: THERMA-TRU  
FIBERGLASS DOOR

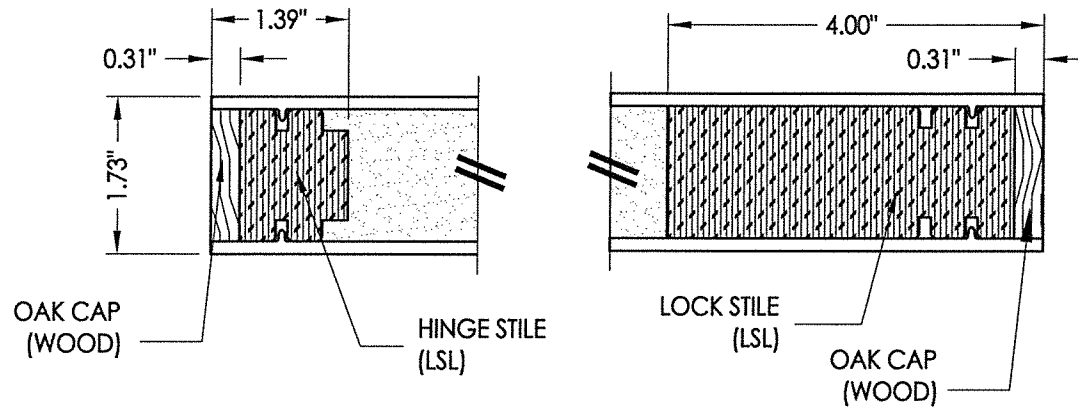
PART OR ASSEMBLY:  
TYPICAL ELEVATION, DESIGN  
PRESSURES & GENERAL NOTES

NO.	DATE	REVISIONS
1	5/12/20	UPDATE TO 2018 IBC/IRC CODE
		LFS
		BY

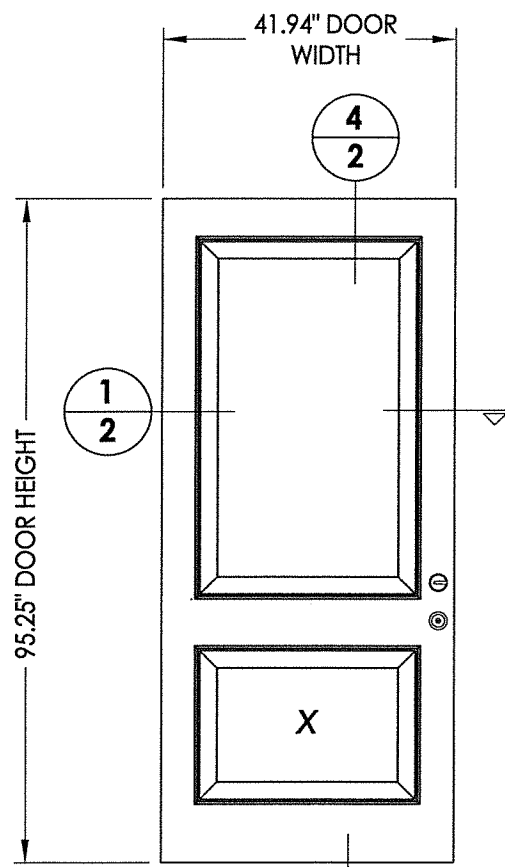
DATE: 2/10/16  
SCALE: N.T.S.  
DWG. BY: JK  
CHK. BY: LFS  
DRAWING NO.: TX-4600  
SHEET 1 OF 7



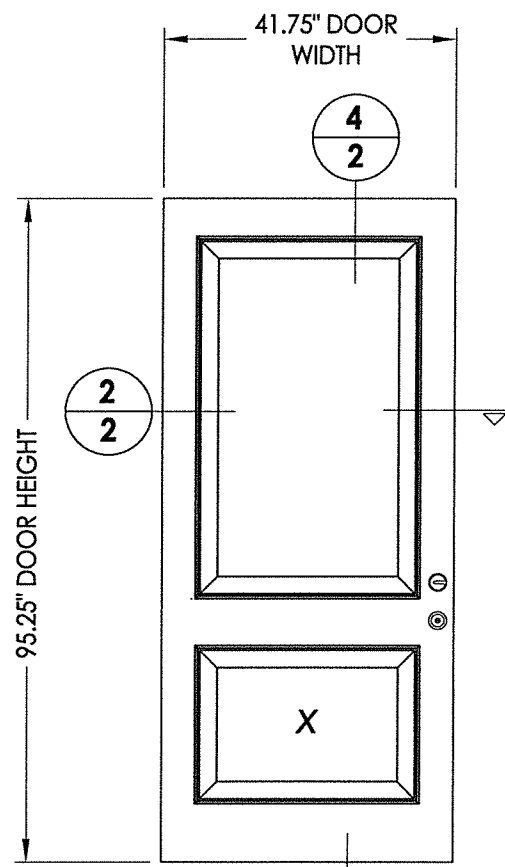
**1**  
**2** HORIZONTAL CROSS SECTION



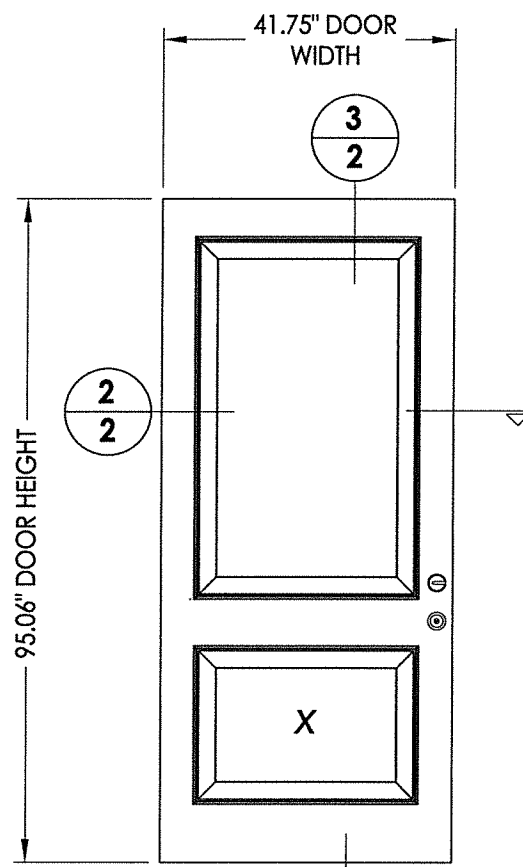
**2**  
**2** HORIZONTAL CROSS SECTION



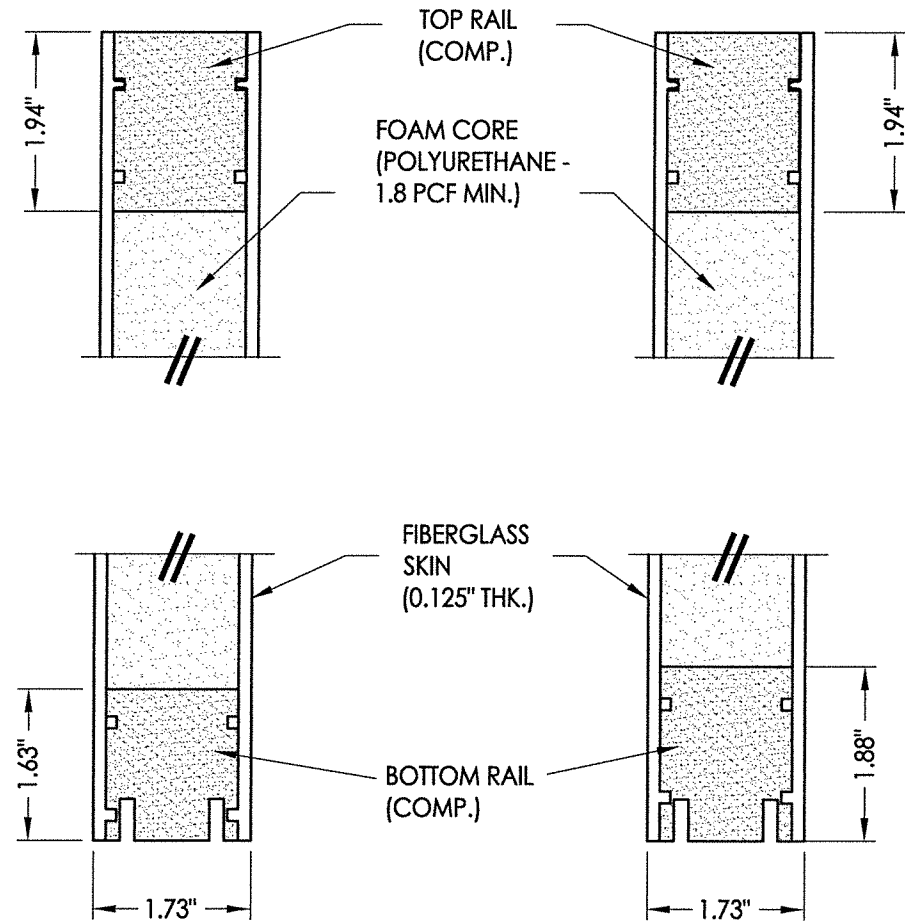
**40** DOOR PANEL  
Book Door



**41** DOOR PANEL  
Hybrid Door

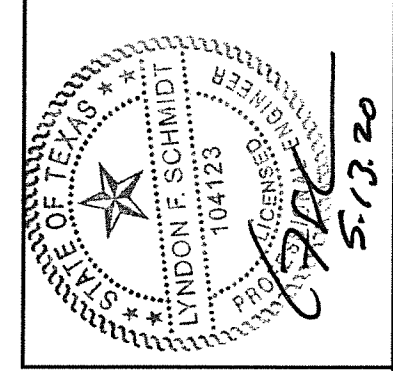


**42** DOOR PANEL  
UT Door



**3**  
**2** VERTICAL CROSS SECTION

**4**  
**2** VERTICAL CROSS SECTION

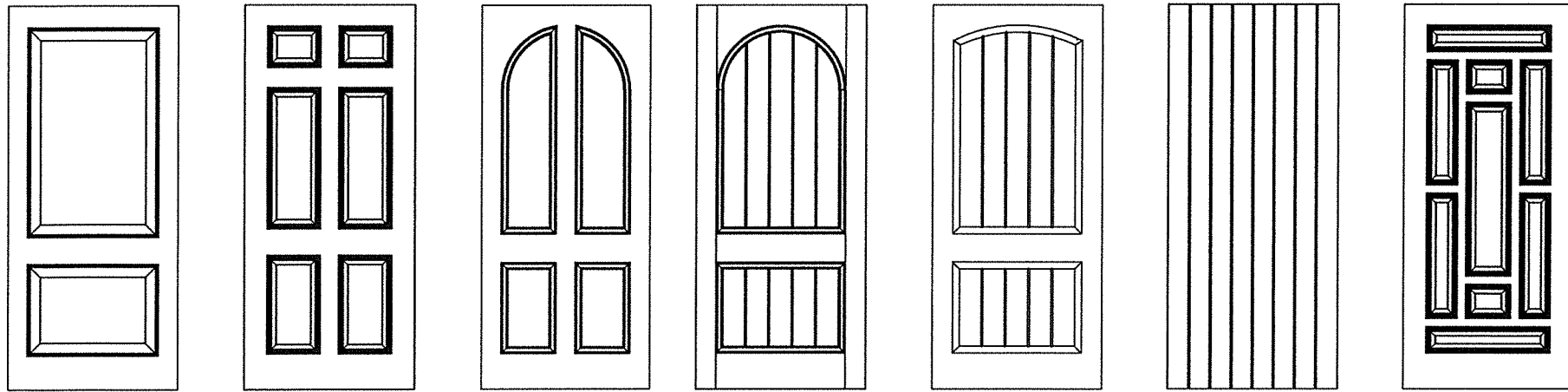


Documents Prepared By: Lyndon F. Schmidt, P.E.  
TEXAS P.E. #104123

**RW** BUILDING CONSULTANTS, INC.  
P.O. Box 230 Valrico FL 33595  
Phone No.: 813.659.9197

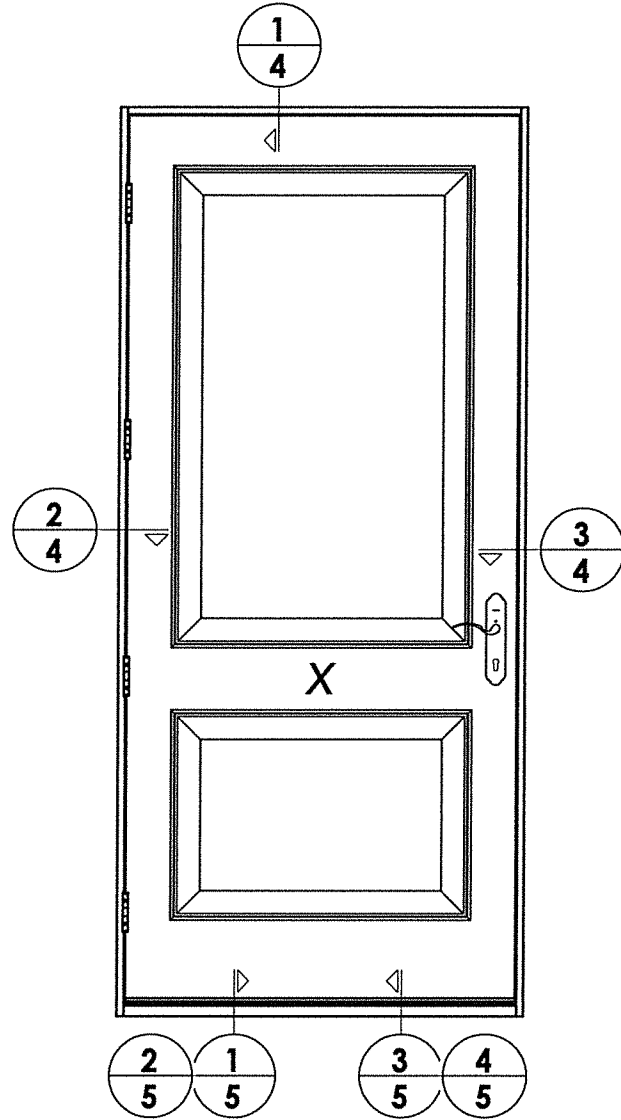
TEXAS BOARD OF PROFESSIONAL ENGINEERS  
CERTIFICATE OF REGISTRATION # F-11852

PRODUCT: THERMA-TRU FIBERGLASS DOOR	
PART OR ASSEMBLY: DOOR PANEL DETAILS	
NO.	DATE
1	5/12/20
UPDATE TO 2018 IBC/IRC CODE	
LFS	BY
REVISIONS	
DATE: 2/10/16	
SCALE: N.T.S.	
DWG. BY: JK	
CHK. BY: LFS	
DRAWING NO.: TX-4600	
SHEET 2 OF 7	

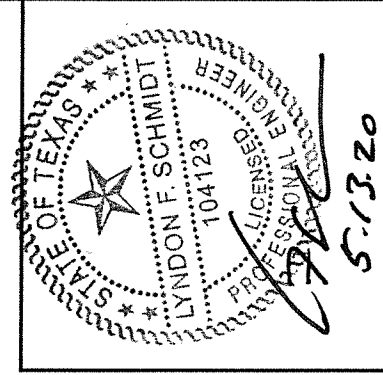


**Classic Craft Door Panel Options**

Panel options shown are for illustration and are representative only  
(similar opaque panel configurations are allowed)



HARDWARE TABLE	
MANUFACTURER	MODEL
HOPPE (THERMA-TRU)	MULTIPOINT LOCK: MPDGART
SCHLAGE	KNOB: F51 DEADBOLT: B60N
KWIKSET	KNOB: SIGNATURE SERIES DEADBOLT: SIGNATURE SERIES (980)

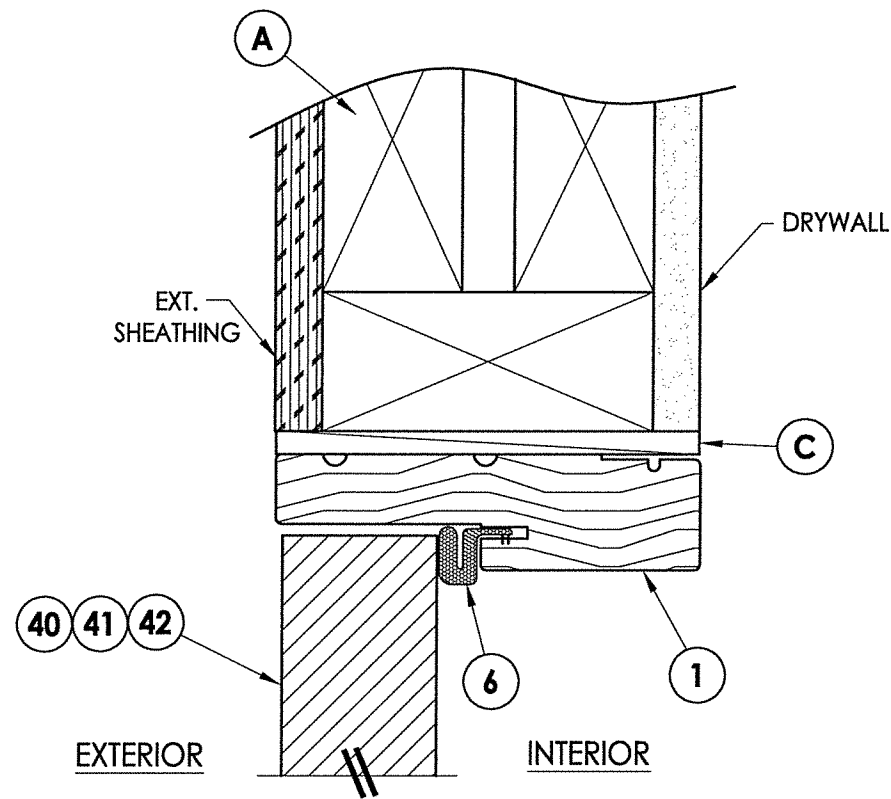


Documents Prepared By: Lyndon F. Schmidt, P.E.  
TEXAS P.E. #104123

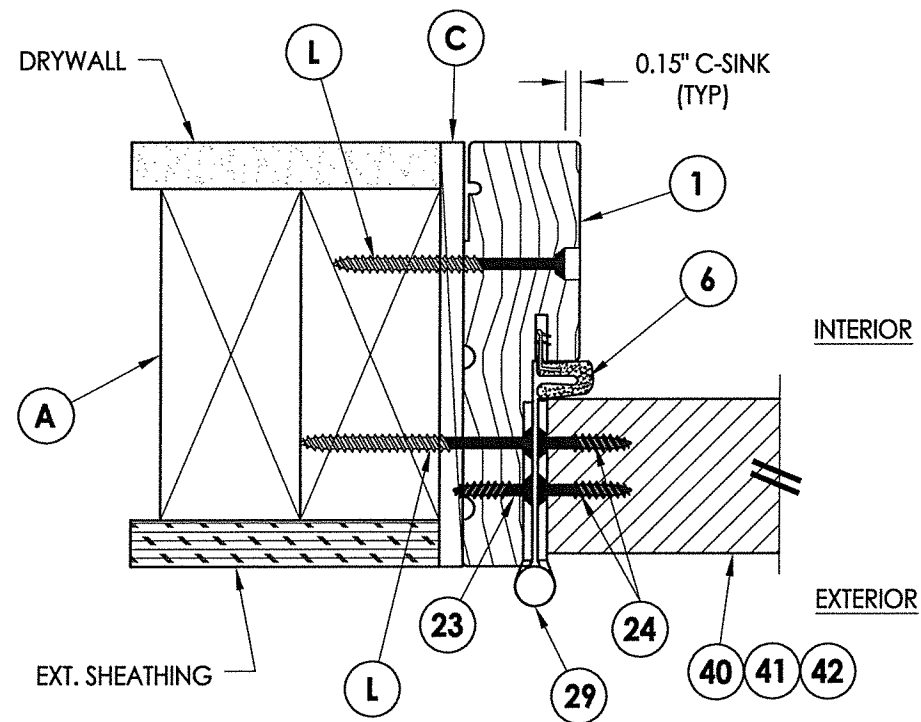
**RW** BUILDING CONSULTANTS, INC.  
P.O. Box 230 Valrico FL, 33595  
Phone No.: 813.659.9197

TEXAS BOARD OF PROFESSIONAL ENGINEERS  
CERTIFICATE OF REGISTRATION # F-11852

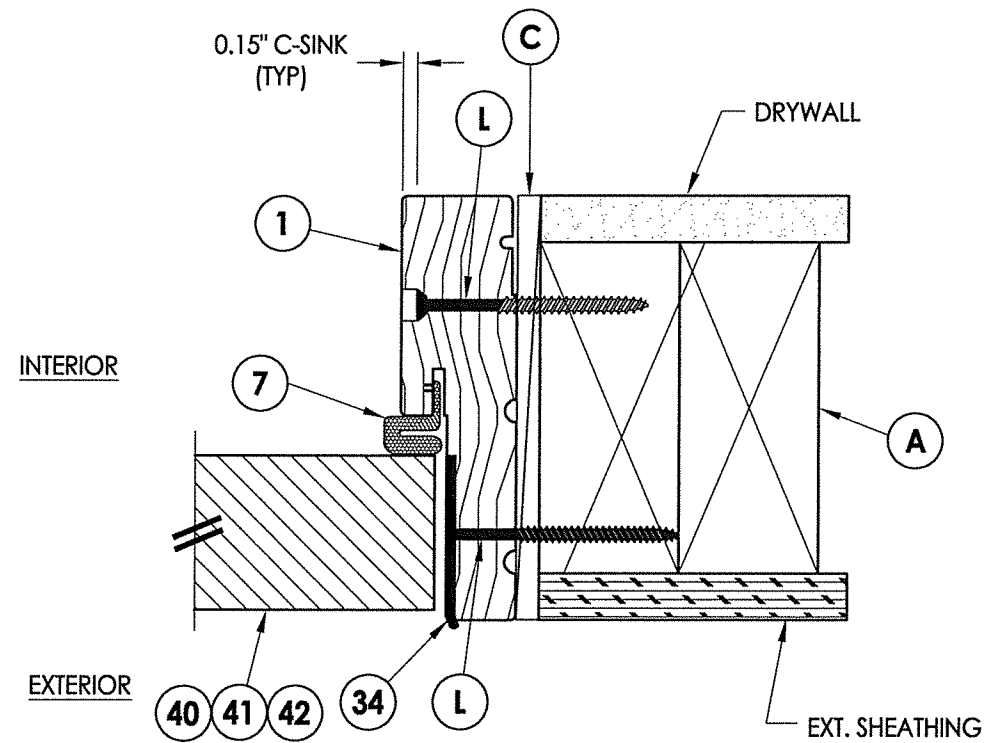
PRODUCT:	THERMA-TRU FIBERGLASS DOOR	
PART OR ASSEMBLY:	ELEVATIONS	
DATE:	2/10/16	
SCALE:	N.T.S.	
DWG. BY:	JK	
CHK. BY:	LFS	
DRAWING NO.:	TX-4600	
SHEET	3 OF 7	
NO.	DATE	DESCRIPTION
1	5/12/20	UPDATE TO 2018 IBC/IRC CODE
		LFS
		BY
		REVISIONS



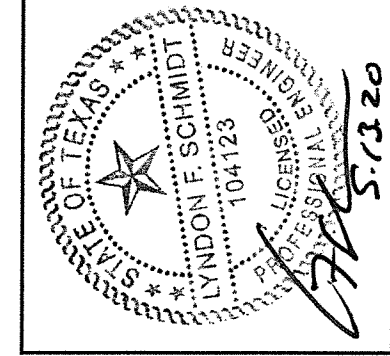
**1** VERTICAL CROSS SECTION  
**4** Outswing shown (Inswing similar)



**2** HORIZONTAL CROSS SECTION  
**4** Outswing shown (Inswing similar)



**3** HORIZONTAL CROSS SECTION  
**4** Outswing shown (Inswing similar)



Documents Prepared By: Lyndon F. Schmidt, P.E.  
 TEXAS P.E. #104123

**RW** BUILDING CONSULTANTS, INC.  
 P.O. Box 230 Valrico FL, 33595  
 Phone No.: 813.659.9197  
 TEXAS BOARD OF PROFESSIONAL ENGINEERS  
 CERTIFICATE OF REGISTRATION # F-11852

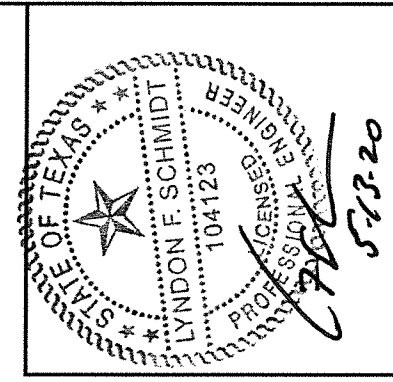
PRODUCT: THERMA-TRU  
 FIBERGLASS DOOR  
 PART OR ASSEMBLY:  
 HORIZONTAL & VERTICAL  
 CROSS SECTIONS

NO.	DATE	REVISIONS	BY
1	5/12/20	UPDATE TO 2018 IBC/IRC CODE	LFS

DATE: 2/10/16  
 SCALE: N.T.S.  
 DWG. BY: JK  
 CHK. BY: LFS  
 DRAWING NO.: TX-4600  
 SHEET 4 OF 7

Notes:

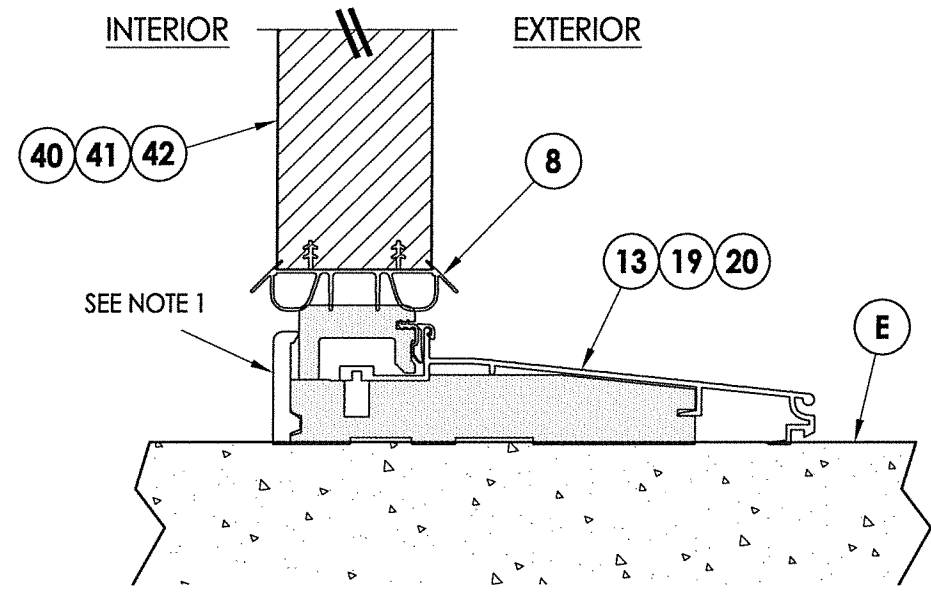
- 1. Sill Item #'s 13, 16, 17, 19 & 20 are attached to jambs w/ (3) #8 X 2-1/2" pfh screws at each end.
- Sill Item #'s 14 & 15 are attached to jambs w/ (2) #8 X 2-1/2" pfh screws at each end.
- Sill Item # 18 is attached to jambs utilizing (4) #10 X 1-1/2" pph screws at each end.



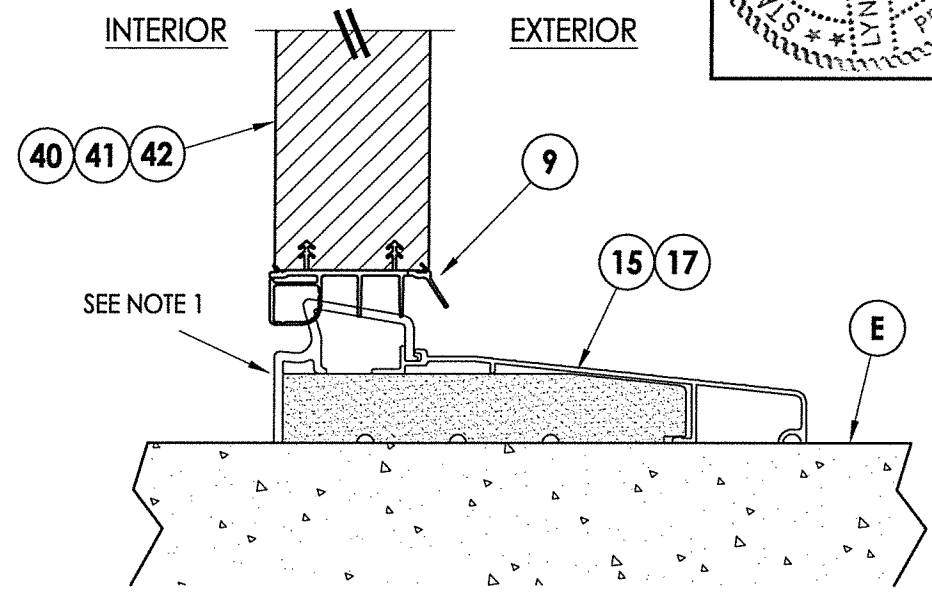
Documents Prepared By: Lyndon F. Schmidt, P.E.  
TEXAS P.E. #104123

**RW** BUILDING CONSULTANTS, INC.  
P.O. Box 230 Valrico FL 33595  
Phone No.: 813.659.9197

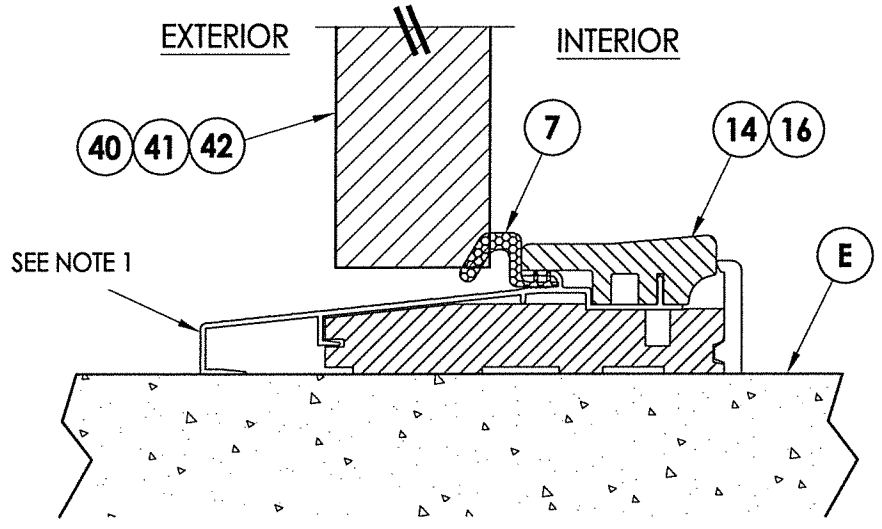
TEXAS BOARD OF PROFESSIONAL ENGINEERS  
CERTIFICATE OF REGISTRATION # F-11852



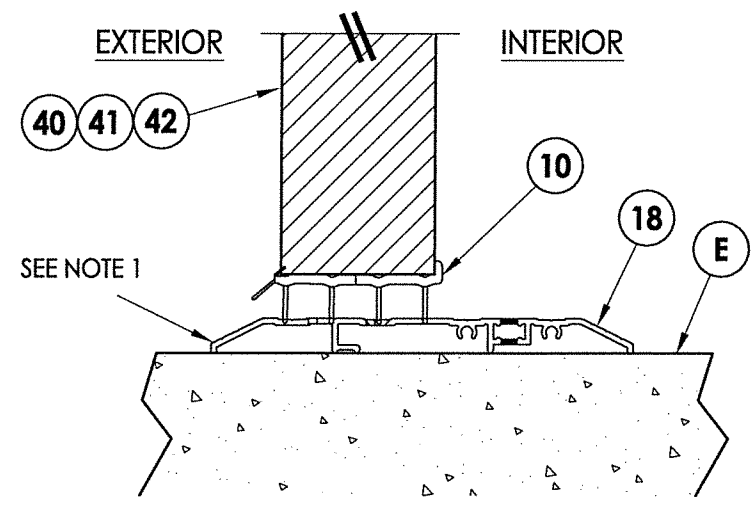
**1 VERTICAL CROSS SECTION**  
5 Inswing Threshold



**2 VERTICAL CROSS SECTION**  
5 Inswing Threshold



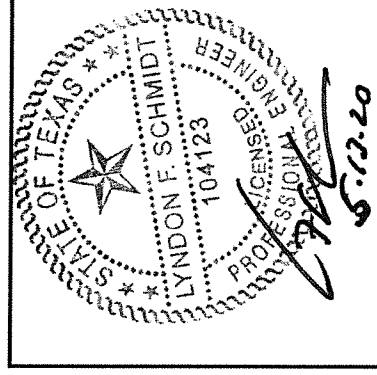
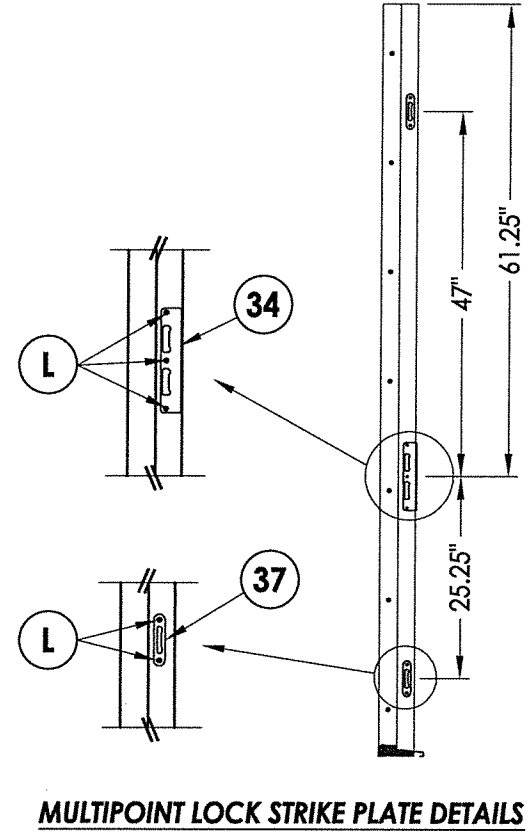
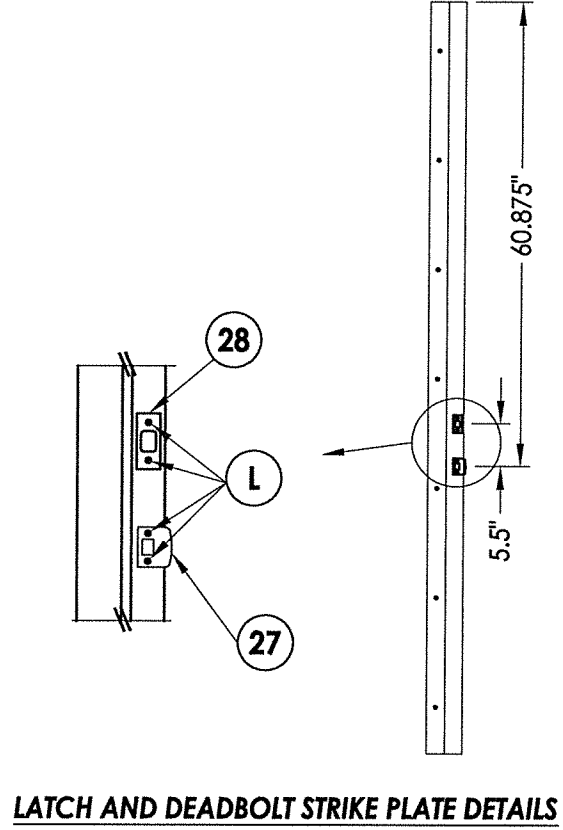
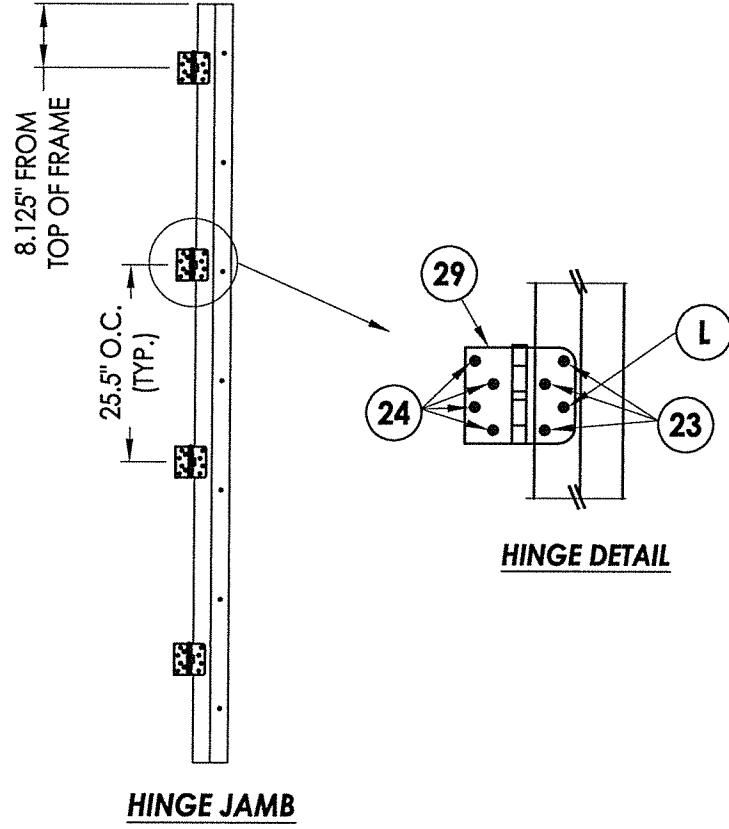
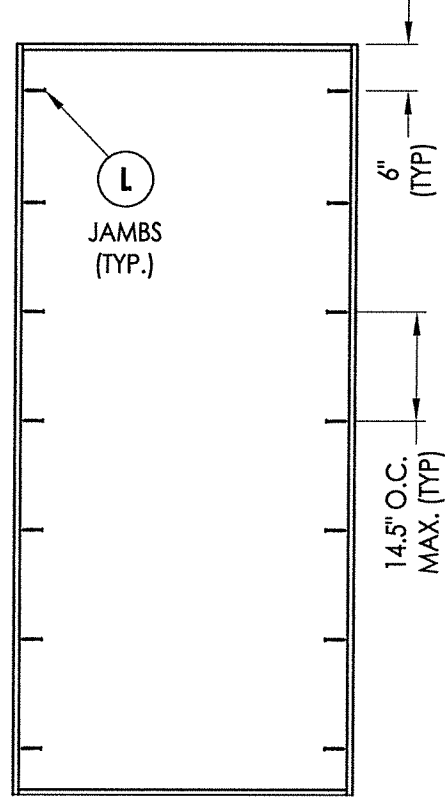
**3 VERTICAL CROSS SECTION**  
5 Outswing Threshold



**4 VERTICAL CROSS SECTION**  
5 Public Access Threshold

PRODUCT:		THERMA-TRU FIBERGLASS DOOR	
PART OR ASSEMBLY:		VERTICAL CROSS SECTIONS (THRESHOLDS)	
NO.	DATE	DESCRIPTION	BY
1	5/12/20	UPDATE TO 2018 IBC/IRC CODE	LFS
REVISIONS			
DATE: 2/10/16			
SCALE: N.T.S.			
DWG. BY: JK			
CHK. BY: LFS			
DRAWING NO.: TX-4600			
SHEET 5 OF 7			

### X FRAME ANCHORING



Documents Prepared By: Lyndon F. Schmidt, P.E.  
TEXAS P.E. #104123

*RW*

BUILDING CONSULTANTS, INC.  
P.O. Box 230 Valrico FL 33595  
Phone No.: 813.659.9197

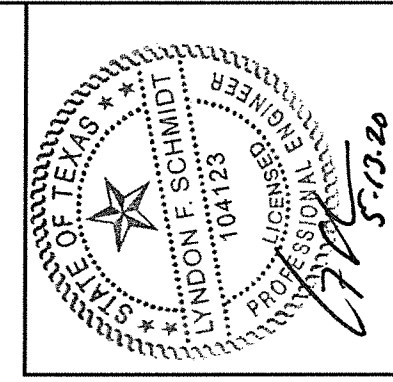
TEXAS BOARD OF PROFESSIONAL ENGINEERS  
CERTIFICATE OF REGISTRATION # F-11852

<b>PRODUCT:</b>	THERMA-TRU FIBERGLASS DOOR	
<b>PART OR ASSEMBLY:</b>	BUCK & FRAME ANCHORING & HARDWARE DETAILS	
<b>NO.</b>	<b>DATE</b>	<b>REVISIONS</b>
1	5/12/20	UPDATE TO 2018 IBC/IRC CODE
		LFS
		BY
<b>DATE:</b> 2/10/16		
<b>SCALE:</b> N.T.S.		
<b>DWG. BY:</b> JK		
<b>CHK. BY:</b> LFS		
<b>DRAWING NO.:</b> TX-4600		
<b>SHEET</b> 6 <b>OF</b> 7		

R:\Clients\Therma Tru PERMANENT\B - Texas Dept of Ins\TDI - DR 784 - 80 Opaque Classic Craft Non-Impact\C - Drawings\TX-4600.01.dwg, 7.1

**BILL OF MATERIALS**

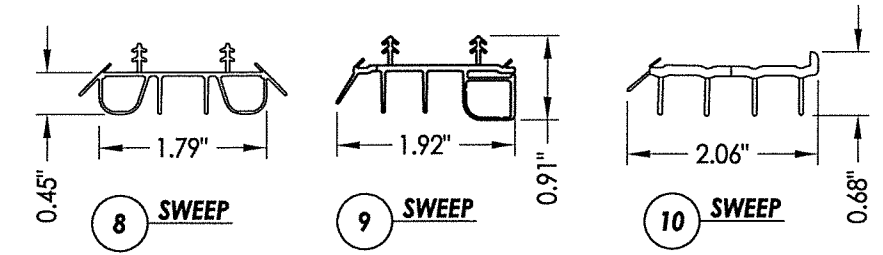
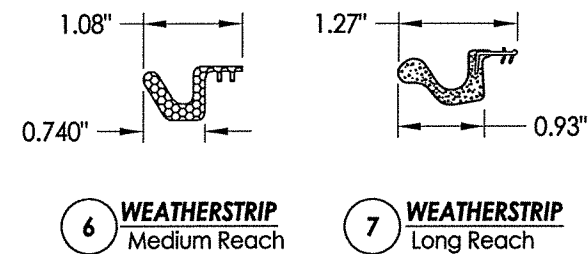
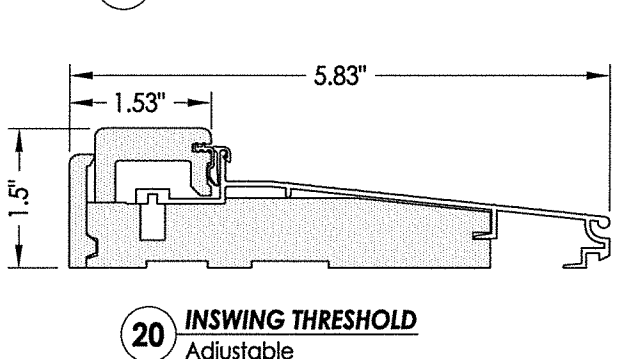
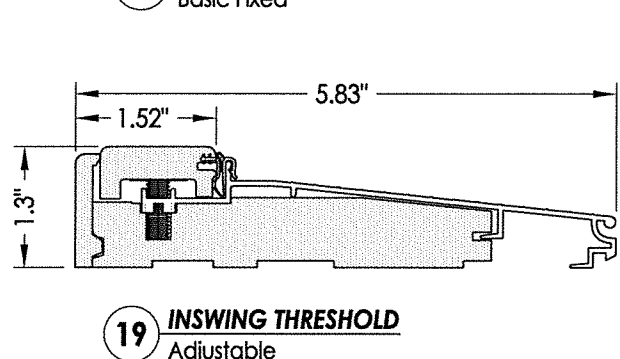
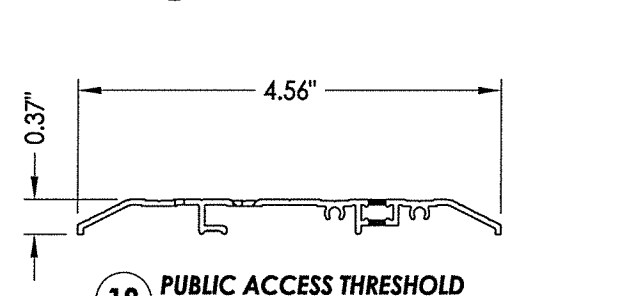
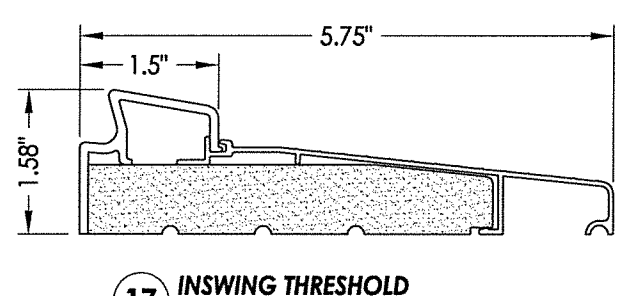
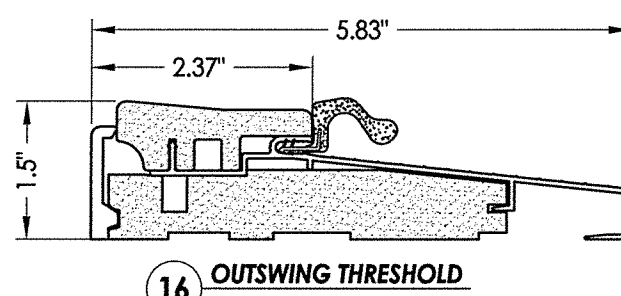
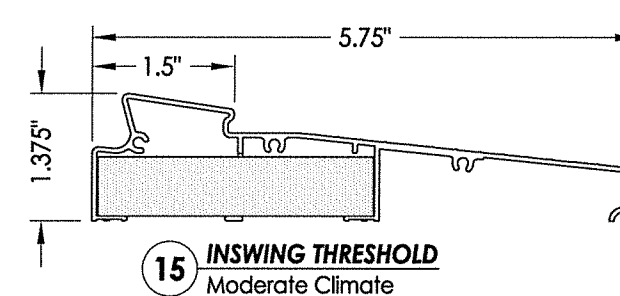
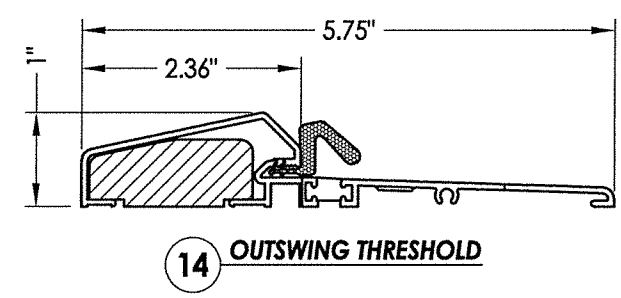
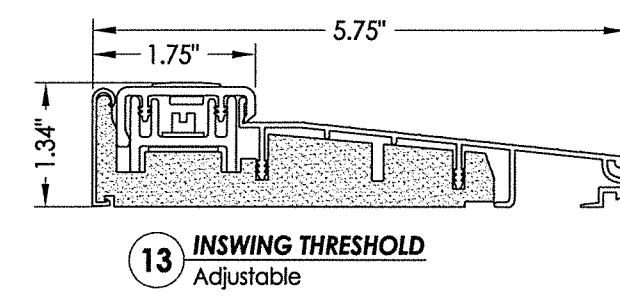
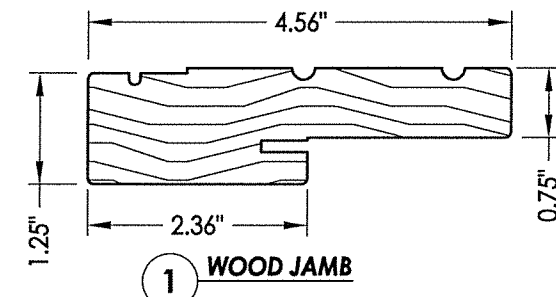
ITEM #	DESCRIPTION	MATERIAL
A	2X FRAMING (SG >= 0.42)	WOOD
C	1/4" MAX. SHIM SPACE	-
L	#10 X 2-1/2" PFH WOOD SCREW (1.15" MIN. EMBEDMENT)	STEEL
1	JAMB (FINGER JOINT PINE)	WOOD
6	WEATHERSTRIP (Medium Reach)	FOAM
7	WEATHERSTRIP (Long Reach)	FOAM
8	SWEEP	VINYL
9	SWEEP (Use w/ Moderate Climate Threshold)	VINYL
10	SWEEP (Use w/ Public Access Threshold)	VINYL
13	INSWING THRESHOLD	ALUM/COMP
14	OUTSWING THRESHOLD	ALUM/COMP
15	INSWING THRESHOLD	ALUM/COMP
16	OUTSWING THRESHOLD	ALUM/COMP
17	INSWING THRESHOLD	ALUM/COMP
18	PUBLIC ACCESS THRESHOLD	ALUM
19	INSWING THRESHOLD	ALUM/COMP
20	INSWING THRESHOLD	ALUM/COMP
23	#10 x 3/4" PFH WOOD SCREW	STEEL
24	#10 x 1" PFH WOOD SCREW	STEEL
25	#8 x 2-1/2" PFH WOOD SCREW	STEEL
27	LATCH STRIKE PLATE	STEEL
28	DEADBOLT STRIKE PLATE	STEEL
29	4" X 4" HINGE	STEEL
34	MULTI-POINT LATCH & DEADBOLT STRIKE PLATE	STEEL
37	MULTI-POINT TONGUE STRIKE PLATE	STEEL
40	DOOR PANEL (BOOK DOOR)	-
41	DOOR PANEL (HYBRID DOOR)	-
42	DOOR PANEL (UI DOOR)	-



Documents Prepared By: Lyndon F. Schmidt, P.E.  
TEXAS P.E. #104123

**RW** BUILDING CONSULTANTS, INC.  
P.O. Box 230 Valrico FL 33595  
Phone No.: 813.659.9197

TEXAS BOARD OF PROFESSIONAL ENGINEERS  
CERTIFICATE OF REGISTRATION # F-11852



PRODUCT: THERMA-TRU FIBERGLASS DOOR	
PART OR ASSEMBLY: BILL OF MATERIALS & COMPONENTS	
NO.	DATE
1	5/12/20
UPDATE TO 2018 IBC/IRC CODE	
LFS	BY
REVISIONS	
DATE: 2/10/16	
SCALE: N.T.S.	
DWG. BY: JK	
CHK. BY: LFS	
DRAWING NO.: TX-4600	
SHEET 7 OF 7	

© 2016 R.W. BUILDING CONSULTANTS INC.