

REVISIONS			
REV	DESCRIPTION	DATE	APPROVED
A	ADDED STRIKE DETAILS	01/06/16	R.L.

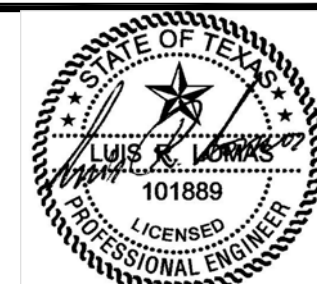
NOTES:

1. THE PRODUCT SHOWN HEREIN IS DESIGNED AND MANUFACTURED TO COMPLY WITH REQUIREMENTS OF THE 2006 IBC AND 2006 IRC WITH STATE OF TEXAS MODIFICATIONS.
2. WOOD FRAMING, METAL STRUCTURE AND MASONRY OPENING TO BE DESIGNED AND ANCHORED TO PROPERLY TRANSFER ALL LOADS TO STRUCTURE. FRAMING AND MASONRY OPENING IS THE RESPONSIBILITY OF THE ARCHITECT OR ENGINEER OF RECORD.
3. 1X BUCK OVER MASONRY/CONCRETE IS OPTIONAL. WHERE 1X BUCK IS NOT USED DISSIMILAR MATERIALS MUST BE SEPARATED WITH APPROVED COATING OR MEMBRANE. SELECTION OF COATING OR MEMBRANE IS THE RESPONSIBILITY OF THE ARCHITECT OR ENGINEER OF RECORD.
4. ALLOWABLE STRESS INCREASE OF 1/3 WAS NOT USED IN THE DESIGN OF THE PRODUCT SHOWN HEREIN. WIND LOAD DURATION FACTOR $C_d=1.6$ WAS USED FOR WOOD ANCHOR CALCULATIONS.
5. FRAME MATERIAL: COMPOSITE OR WOOD.
DOOR SKIN MATERIAL: STEEL .033" THICK (MINIMUM), FIBERGLASS .085" THICK (MINIMUM).
SIDELITE SKIN MATERIAL: STEEL .022" THICK (MINIMUM)
6. UNITS MUST BE GLAZED PER ASTM E1300-04, SEE SHEET 11 FOR GLASS DETAILS.
7. APPROVED IMPACT PROTECTIVE SYSTEM IS REQUIRED FOR THIS PRODUCT IN WIND BORNE DEBRIS REGIONS.
8. SHIM AS REQUIRED AT EACH INSTALLATION ANCHOR WITH LOAD BEARING SHIM. SHIM WHERE SPACE OF 1/16" OR GREATER OCCURS. MAXIMUM ALLOWABLE SHIM STACK TO BE 1/4".
9. FOR ANCHORING INTO WOOD FRAMING OR 2X BUCK USE #10 WOOD SCREWS WITH SUFFICIENT LENGTH TO ACHIEVE A 1 3/8" MINIMUM EMBEDMENT INTO SUBSTRATE. LOCATE ANCHORS AS SHOWN IN ELEVATIONS AND INSTALLATION DETAILS.
10. FOR ANCHORING INTO MASONRY/CONCRETE USE 3/16" TAPCONS WITH SUFFICIENT LENGTH TO ACHIEVE A 1 1/4" MINIMUM EMBEDMENT INTO SUBSTRATE WITH 2 1/2" MINIMUM EDGE DISTANCE. LOCATE ANCHORS AS SHOWN IN ELEVATIONS AND INSTALLATION DETAILS.
11. FOR ANCHORING INTO METAL STRUCTURE USE #10 SMS OR SELF DRILLING SCREWS WITH SUFFICIENT LENGTH TO ACHIEVE 3 THREADS MINIMUM BEYOND STRUCTURE INTERIOR WALL. LOCATE ANCHORS AS SHOWN IN ELEVATIONS AND INSTALLATION DETAILS.
12. ALL FASTENERS TO BE CORROSION RESISTANT.
13. INSTALLATION ANCHORS SHALL BE INSTALLED IN ACCORDANCE WITH ANCHOR MANUFACTURER'S INSTALLATION INSTRUCTIONS AND ANCHORS SHALL NOT BE USED IN SUBSTRATES WITH STRENGTHS LESS THAN THE MINIMUM STRENGTH SPECIFIED BELOW:
 - A. WOOD – MINIMUM SPECIFIC GRAVITY OF $G=0.42$
 - B. CONCRETE – MINIMUM COMPRESSIVE STRENGTH OF 3,192 PSI.
 - C. MASONRY – STRENGTH CONFORMANCE TO ASTM C-90, GRADE N, TYPE 1 (OR GREATER).
 - D. METAL STRUCTURE: STEEL 18GA, 33KSI OR ALUMINUM 6063-T5 1/8" THICK MINIMUM
14. DOOR CONSTRUCTION MAYBE CONTINUOUS HEAD FRAME AND CONTINUOUS THRESHOLD OR BOX CONSTRUCTION.

SIGNED: 01/07/2016

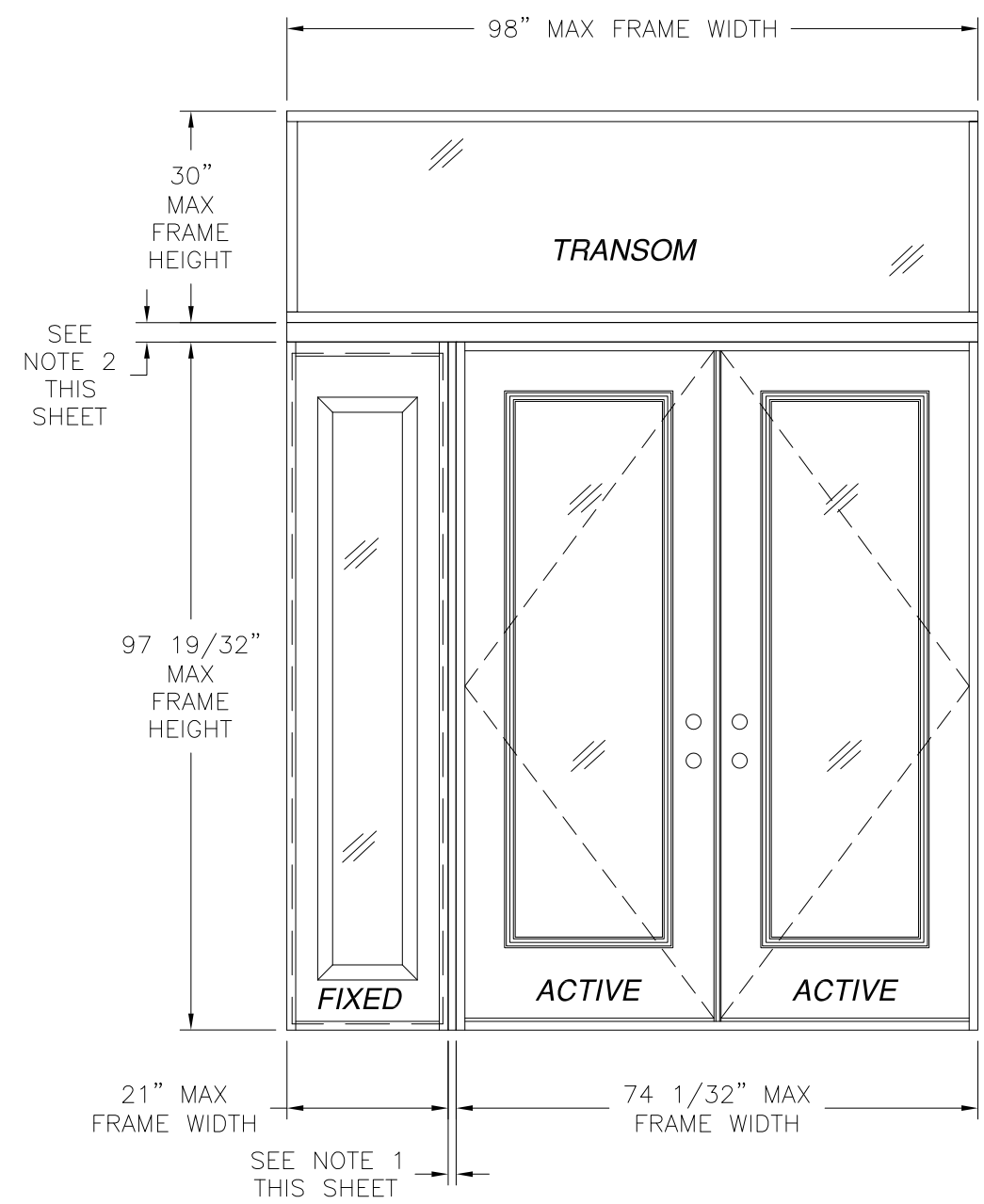
TABLE OF CONTENTS	
SHEET NO.	DESCRIPTION
1	NOTES
2 - 3	ELEVATIONS AND APPROVED CONFIGURATIONS
4	MULLION DETAILS AND COMPONENTS
5	ANCHORING LAYOUTS
6 - 11	INSTALLATION DETAILS

PROVIA DOOR, INC. 2150 STATE ROUTE 39 SUGARCREEK, OH 44681		
STEEL/FIBERGLASS IS GLAZED DOUBLE DOOR NI W/SIDELITES & TRANSOM COMPOSITE/WOOD FRAME NOTES		
DRAWN: V.L.	DWG NO. 08-02402	REV A
SCALE NTS	DATE 07/21/14	SHEET 1 OF 11

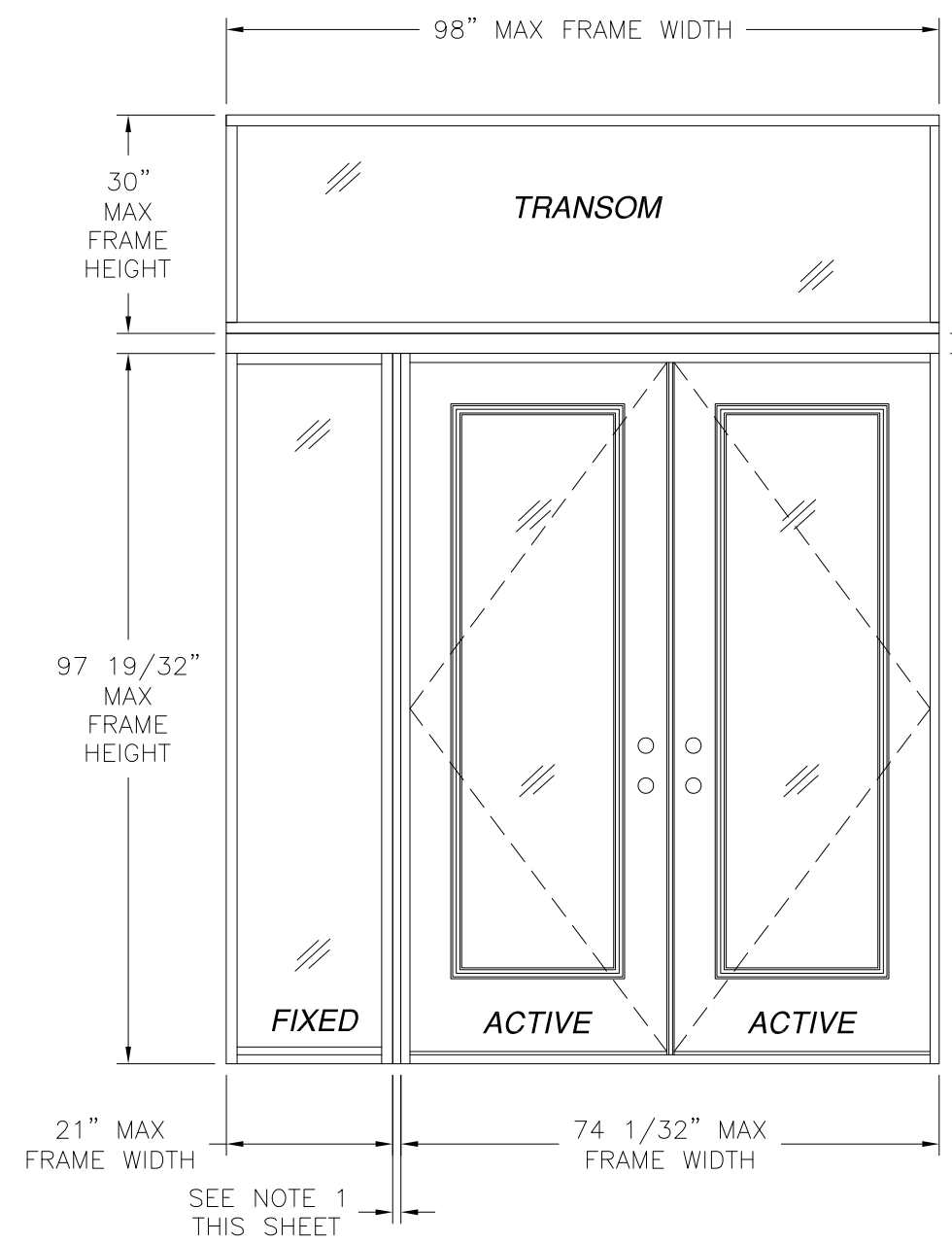


Luis R. Lomas P.E.
TX No.: 101889

REVISIONS			
REV	DESCRIPTION	DATE	APPROVED
A	ADDED STRIKE DETAILS	01/06/16	R.L.



DOUBLE W/ STD SIDELITE AND TRANSOM
 EXTERIOR VIEW
 OXX SHOWN XXO ALSO APPROVED



DOUBLE W/ DIRECT SET SIDELITE AND TRANSOM
 EXTERIOR VIEW
 OXX SHOWN XXO ALSO APPROVED

SEE NOTE 2 THIS SHEET

- D.L.O. NOTES:
1. MAXIMUM DOOR D.L.O.: 20 3/8" X 78 1/2"
 2. MAXIMUM STD. SIDELITE D.L.O.: 8" X 78 3/8"
 3. MAXIMUM DIRECT SET SIDELITE D.L.O.: 18" X 93 3/4"
 4. MAXIMUM TRANSOM D.L.O.: 95" X 27"

DESIGN PRESSURE RATING	IMPACT RATING
±55.0PSF	NONE

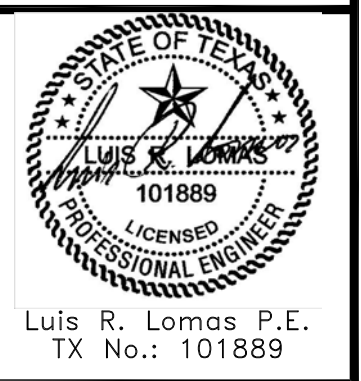
- NOTES:
1. 3/8" MULLION MINIMUM SEE DETAIL A, SHEET 4. MAXIMUM ALLOWED BUILDUP TO BE 3" AT VERTICAL MULLION. IF SIDELITE WIDTH IS 16" OR LESS NO VERTICAL MULLION IS REQUIRED.
 2. 3 1/4" MULLION MINIMUM SEE DETAIL B, SHEET 4. IF TRANSOM HEIGHT IS 16" OR LESS 2 3/4" MULLION MINIMUM IS REQUIRED.

PROVIA DOOR, INC.
 2150 STATE ROUTE 39
 SUGARCREEK, OH 44681

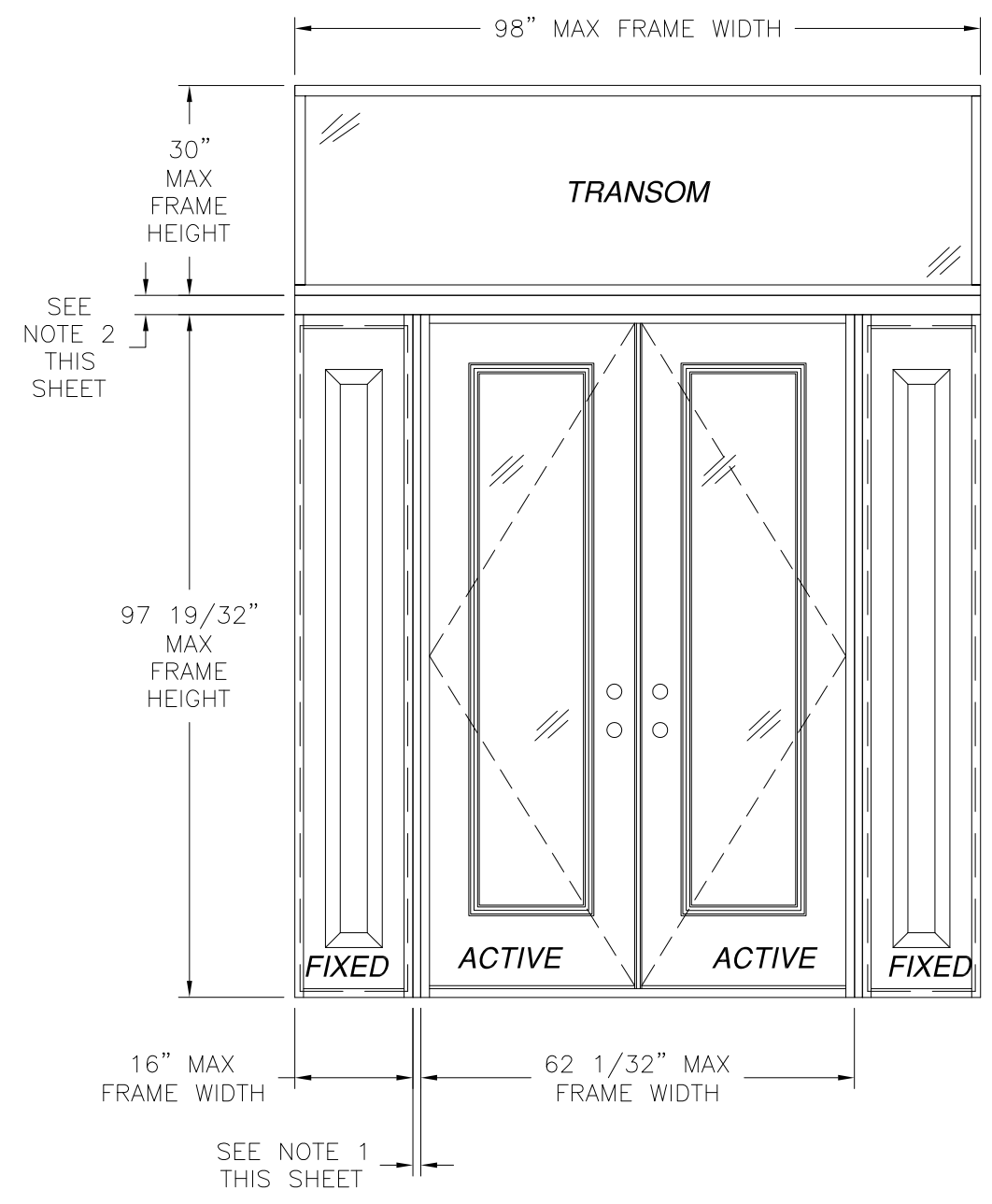
STEEL/FIBERGLASS IS GLAZED DOUBLE DOOR NI
 W/SIDELITES & TRANSOM COMPOSITE/WOOD FRAME
 ELEVATIONS

DRAWN: V.L.	DWG NO. 08-02402	REV A
SCALE NTS	DATE 07/21/14	SHEET 2 OF 11

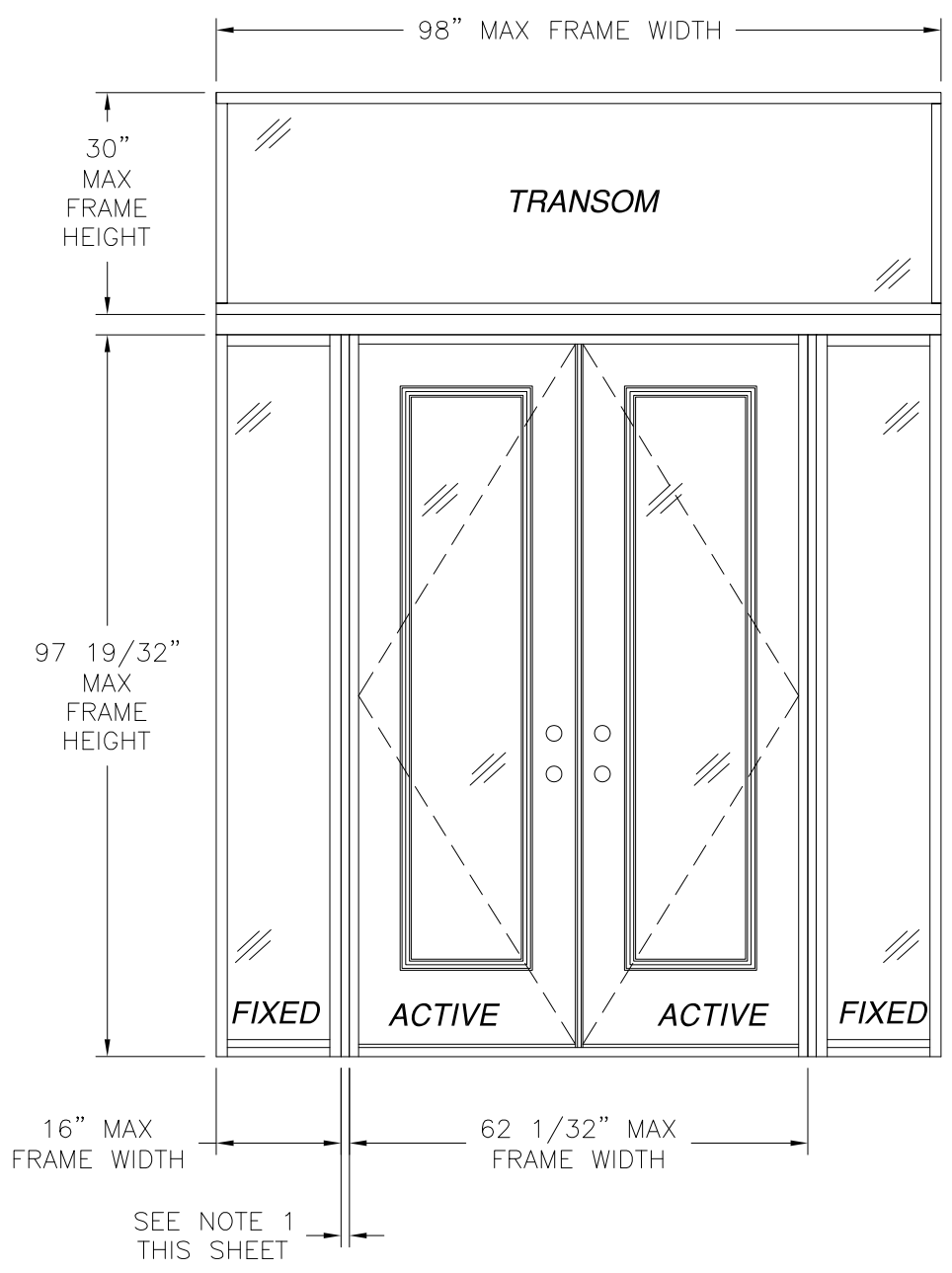
SIGNED: 01/07/2016



REVISIONS			
REV	DESCRIPTION	DATE	APPROVED
A	ADDED STRIKE DETAILS	01/06/16	R.L.



DOUBLE W/ STD SIDELITES AND TRANSOM
EXTERIOR VIEW



DOUBLE W/ DIRECT SET SIDELITES AND TRANSOM
EXTERIOR VIEW

SEE NOTE 2
THIS SHEET

DESIGN PRESSURE RATING	IMPACT RATING
±55.0PSF	NONE

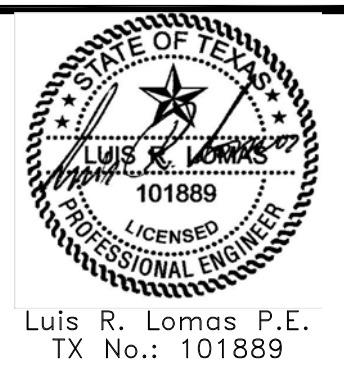
- NOTES:
1. NO MULLION REQUIRED. MAXIMUM ALLOWED BUILDUP TO BE 3" AT VERTICAL MULLION.
 2. 2 1/2" MULLION MINIMUM SEE DETAIL B, SHEET 4. IF TRANSOM HEIGHT IS 16" OR LESS 2" MULLION MINIMUM IS REQUIRED.

PROVIA DOOR, INC.
2150 STATE ROUTE 39
SUGARCREEK, OH 44681

STEEL/FIBERGLASS IS GLAZED DOUBLE DOOR NI
W/SIDELITES & TRANSOM COMPOSITE/WOOD FRAME
ELEVATIONS

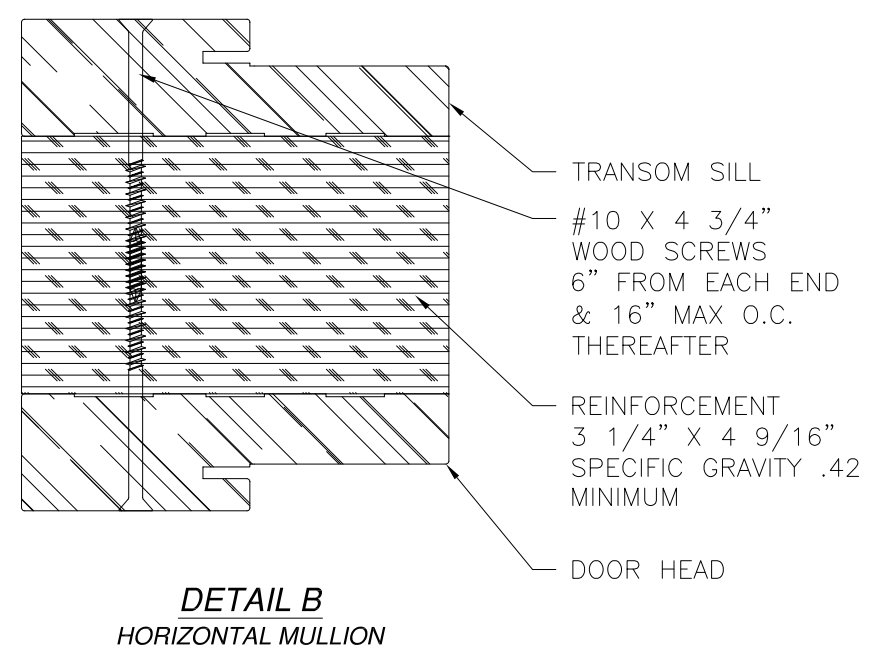
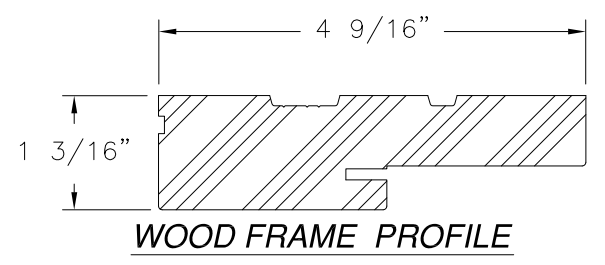
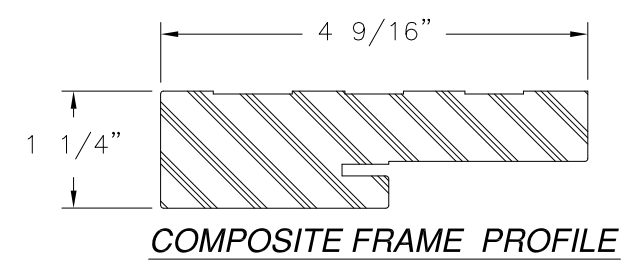
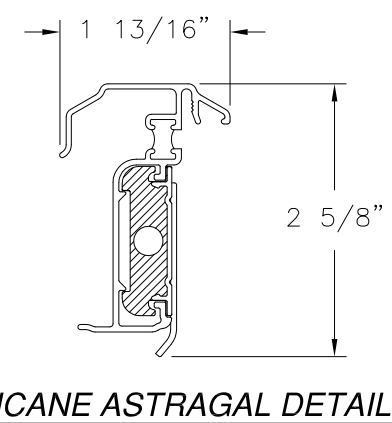
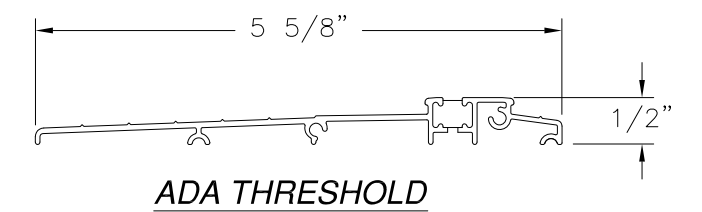
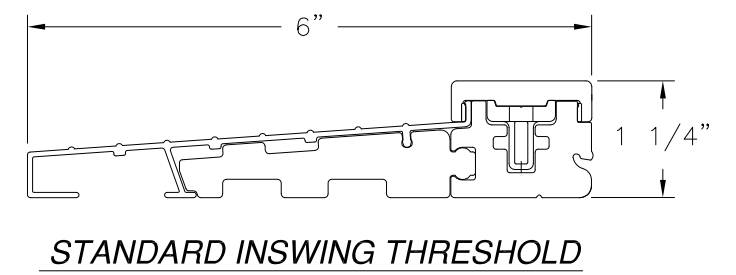
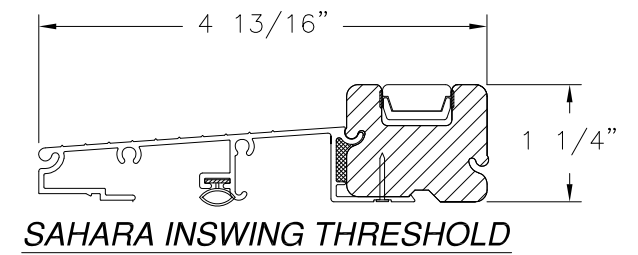
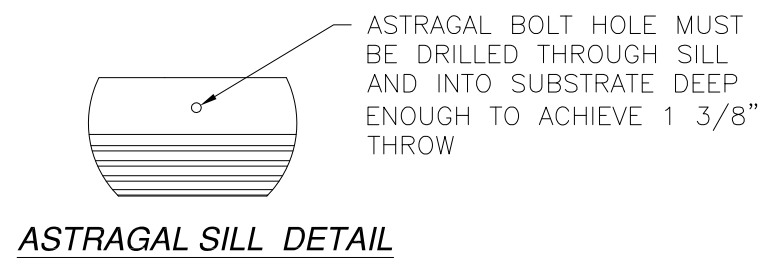
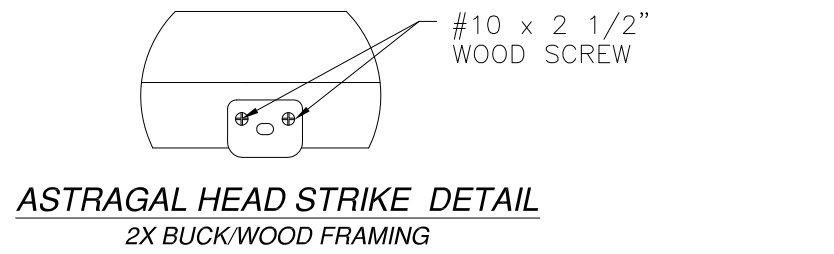
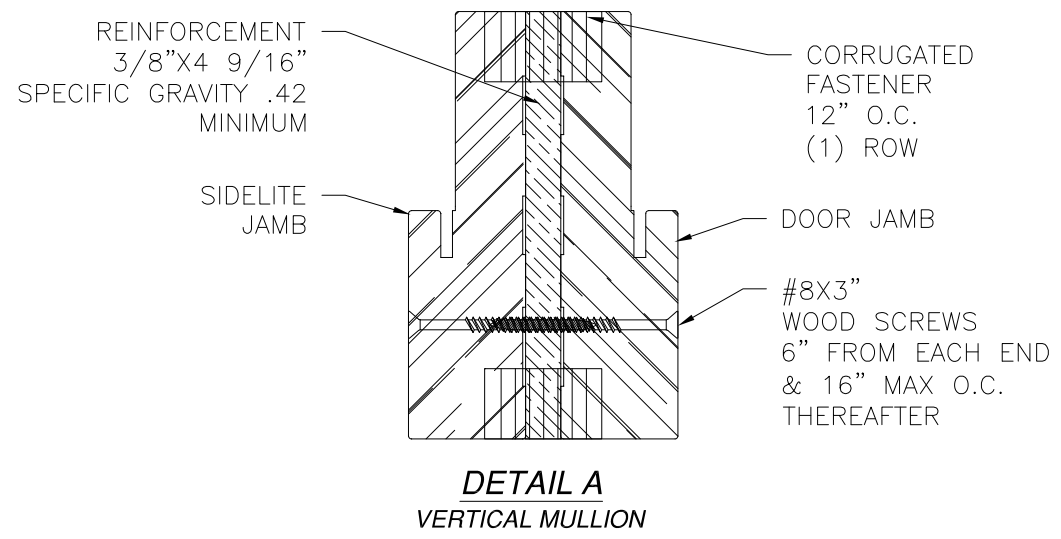
DRAWN: V.L.	DWG NO. 08-02402	REV A
SCALE NTS	DATE 07/21/14	SHEET 3 OF 11

SIGNED: 01/07/2016



Luis R. Lomas P.E.
TX No.: 101889

REVISIONS			
REV	DESCRIPTION	DATE	APPROVED
A	ADDED STRIKE DETAILS	01/06/16	R.L.



SIGNED: 01/07/2016

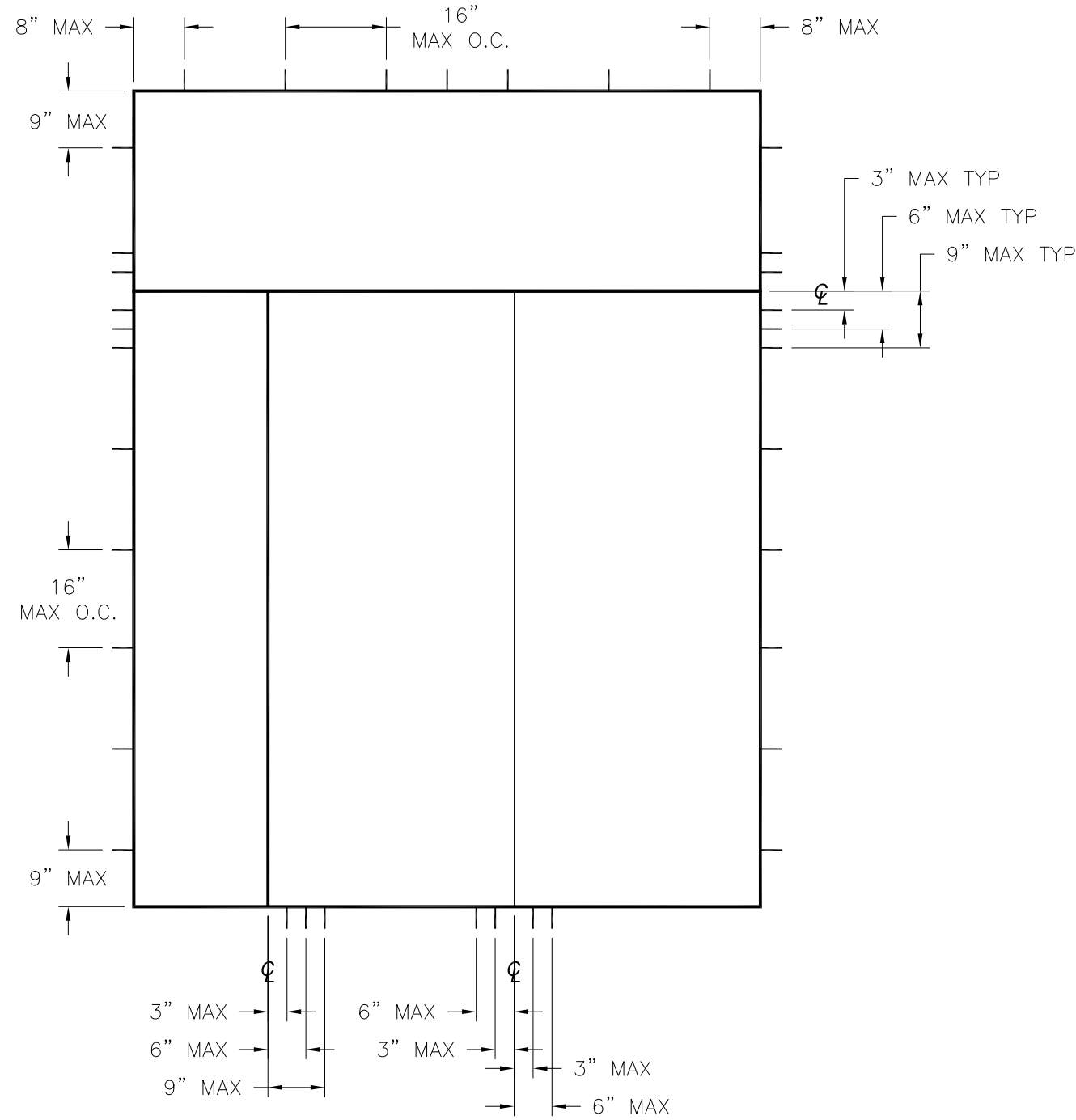
PROVIA DOOR, INC.
2150 STATE ROUTE 39
SUGARCREEK, OH 44681

STEEL/FIBERGLASS IS GLAZED DOUBLE DOOR NI
W/SIDELITES & TRANSOM COMPOSITE/WOOD FRAME
MULLION DETAILS & COMPONENTS

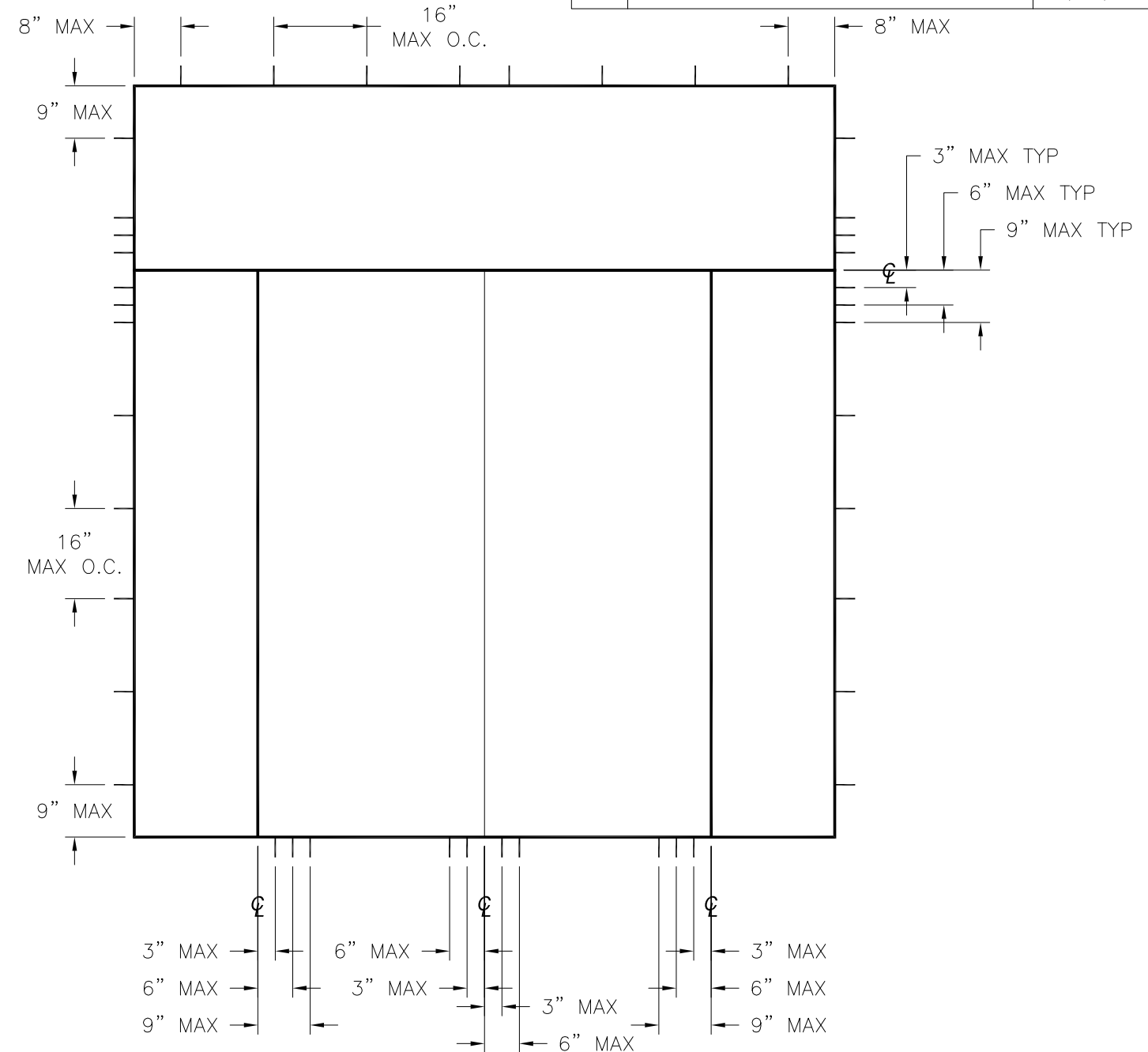
DRAWN: V.L.	DWG NO. 08-02402	REV A
SCALE NTS	DATE 07/21/14	SHEET 4 OF 11

Luis R. Lomas P.E.
TX No.: 101889

REVISIONS			
REV	DESCRIPTION	DATE	APPROVED
A	ADDED STRIKE DETAILS	01/06/16	R.L.



DOUBLE DOOR W/SIDELITE AND TRANSOM
ANCHORING LAYOUT



DOUBLE DOOR W/SIDELITES AND TRANSOM
ANCHORING LAYOUT

HARDWARE SCHEDULE	
A.	F-SERIES LOCK ASSEMBLY DOOR KNOB BY SCHLAGE.
B.	B-SERIES DEADBOLT ASSEMBLY BY SCHLAGE.
C.	F-SERIES DEADBOLT ASSEMBLY BY SCHLAGE.
D.	RESIDENTIAL GRADE DOOR HANDLE ASSEMBLY BY EMTEK (ALTERNATE).
E.	MULTI-POINT LOCK HANDLE ASSEMBLY BY TRILENNIUM (ALTERNATE).
F.	(3) 4" x 4" BALL BEARING HINGES BY PENROD.
G.	(3) 4" x 4" SPRING BOMMER HINGES BY PENROD. (ALTERNATE)

PROVIA DOOR, INC.
2150 STATE ROUTE 39
SUGARCREEK, OH 44681

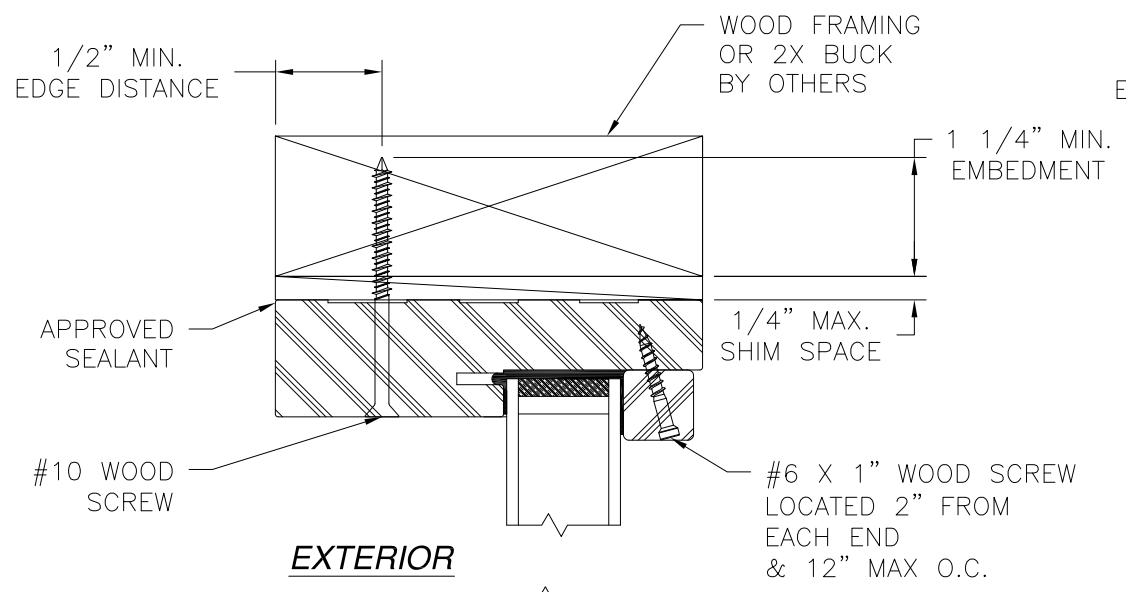
STEEL/FIBERGLASS IS GLAZED DOUBLE DOOR NI
W/SIDELITES & TRANSOM COMPOSITE/WOOD FRAME
ANCHORING LAYOUTS

DRAWN: V.L.	DWG NO. 08-02402	REV A
SCALE NTS	DATE 07/21/14	SHEET 5 OF 11

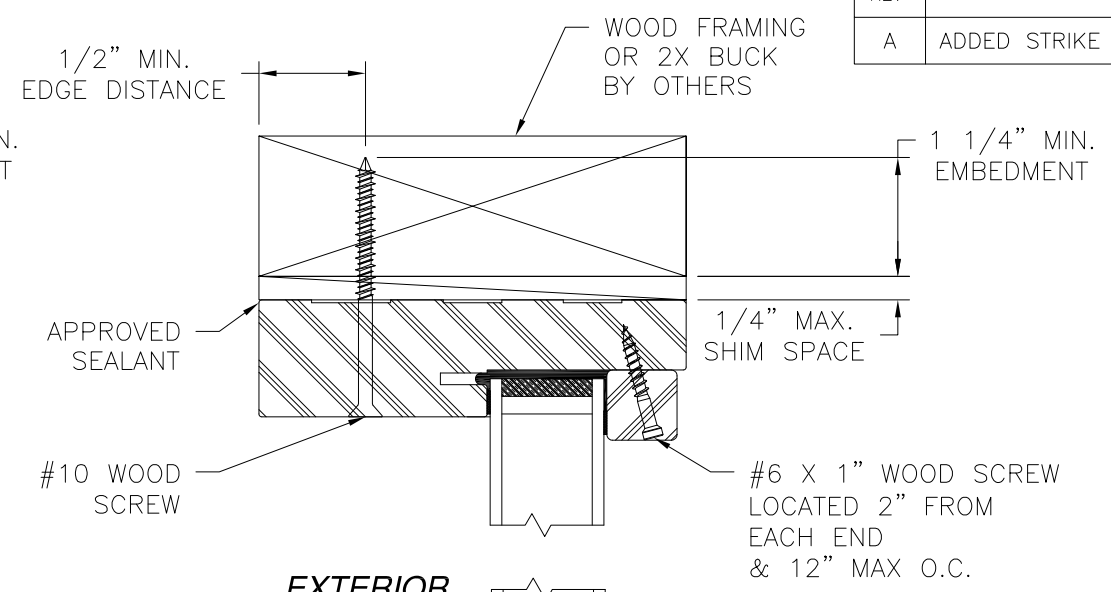
SIGNED: 01/07/2016

Luis R. Lomas P.E.
TX No.: 101889

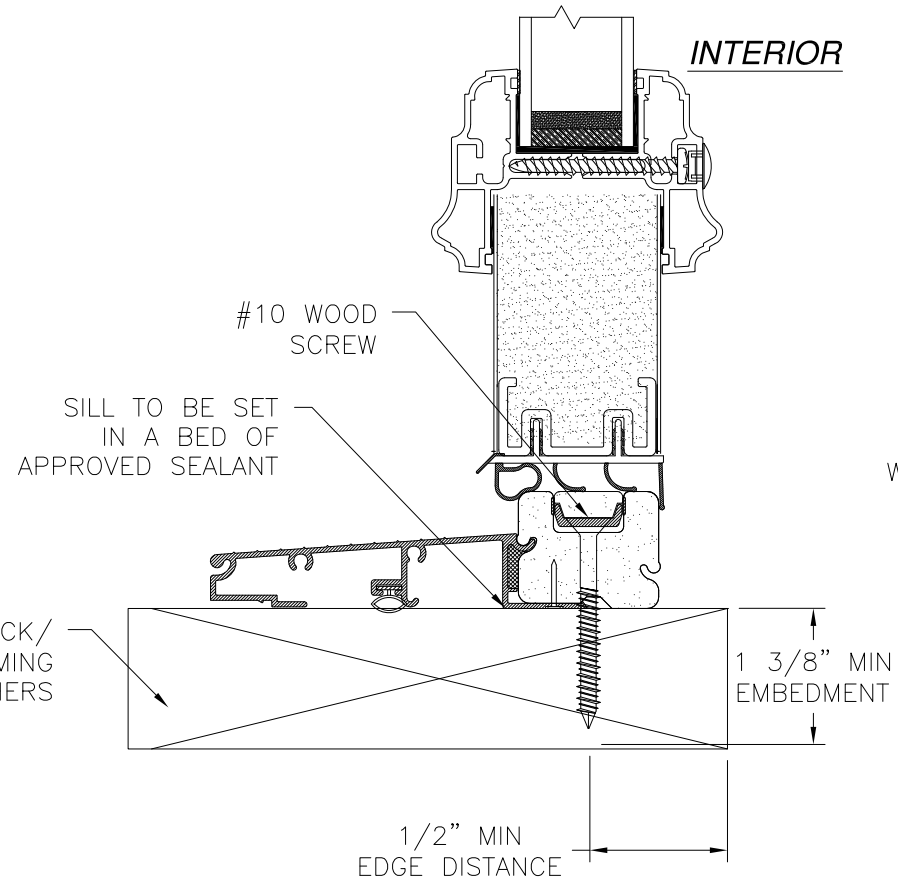
REVISIONS			
REV	DESCRIPTION	DATE	APPROVED
A	ADDED STRIKE DETAILS	01/06/16	R.L.



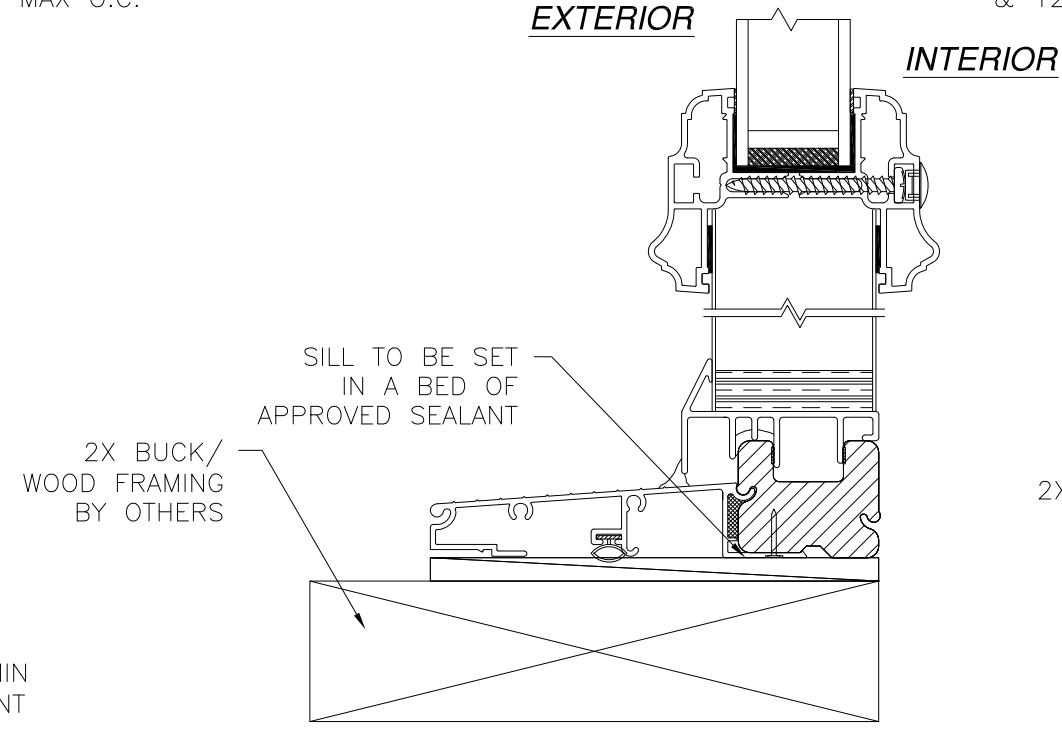
EXTERIOR



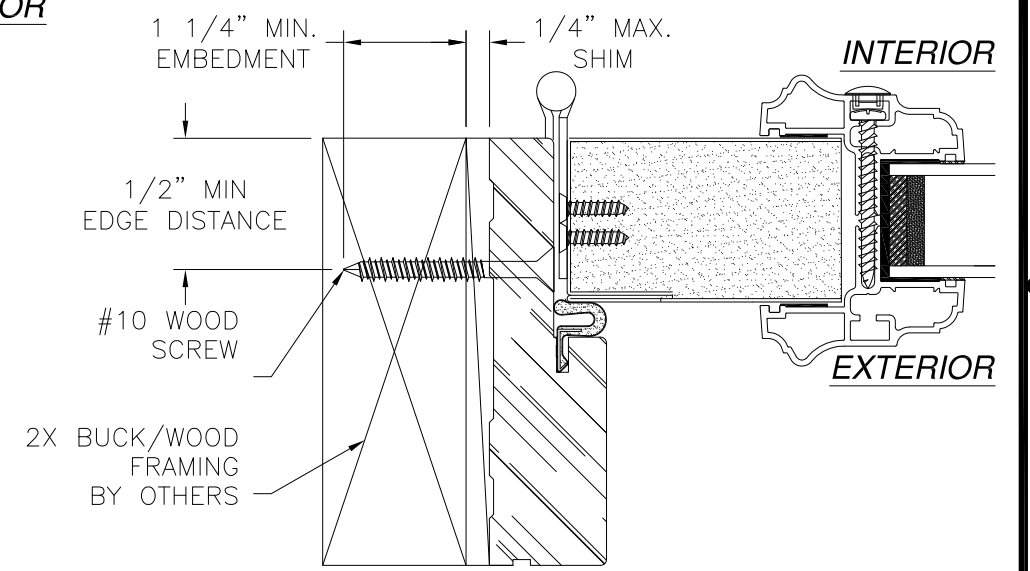
EXTERIOR



VERTICAL CROSS SECTION
DOOR AND TRANSOM INSTALLATION - 2X BUCK/WOOD FRAMING



VERTICAL CROSS SECTION
SIDELITE AND TRANSOM INSTALLATION 2X BUCK/WOOD FRAMING
STANDARD SIDELITE SHOWN
DIRECT SET SIDELITE SIMILAR
TRANSOM HEAD SHOWN
TRANSOM JAMB SIMILAR



HORIZONTAL CROSS SECTION
DOOR INSTALLATION - 2X BUCK/WOOD FRAMING

NOTES:
1. INTERIOR AND EXTERIOR FINISHES, BY OTHERS, NOT SHOWN FOR CLARITY.
2. PERIMETER AND JOINT SEALANT BY OTHERS TO BE DESIGNED IN ACCORDANCE WITH ASTM E2112

PROVIA DOOR, INC.
2150 STATE ROUTE 39
SUGARCREEK, OH 44681

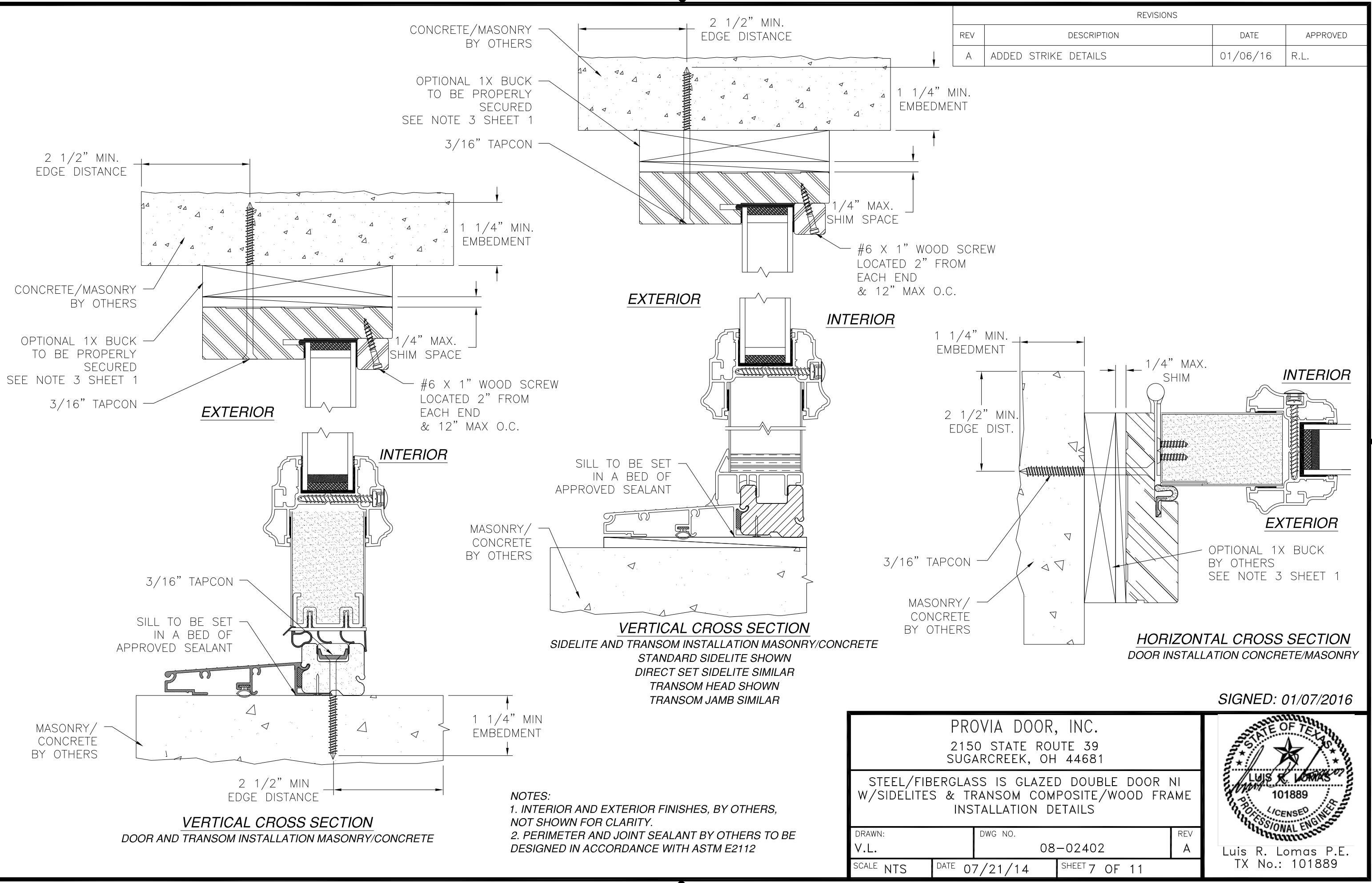
STEEL/FIBERGLASS IS GLAZED DOUBLE DOOR NI W/SIDELITES & TRANSOM COMPOSITE/WOOD FRAME INSTALLATION DETAILS

DRAWN: V.L.	DWG NO. 08-02402	REV A
SCALE NTS	DATE 07/21/14	SHEET 6 OF 11

SIGNED: 01/07/2016

Luis R. Lomas P.E.
TX No.: 101889

REVISIONS			
REV	DESCRIPTION	DATE	APPROVED
A	ADDED STRIKE DETAILS	01/06/16	R.L.



NOTES:
 1. INTERIOR AND EXTERIOR FINISHES, BY OTHERS, NOT SHOWN FOR CLARITY.
 2. PERIMETER AND JOINT SEALANT BY OTHERS TO BE DESIGNED IN ACCORDANCE WITH ASTM E2112

PROVIA DOOR, INC.
 2150 STATE ROUTE 39
 SUGARCREEK, OH 44681

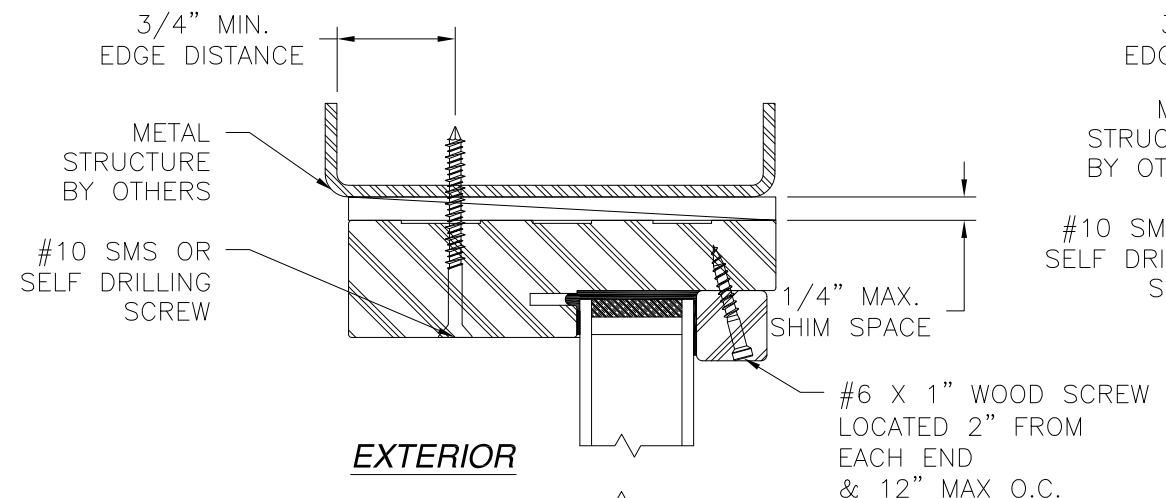
STEEL/FIBERGLASS IS GLAZED DOUBLE DOOR NI W/SIDELITES & TRANSOM COMPOSITE/WOOD FRAME INSTALLATION DETAILS

DRAWN: V.L.	DWG NO. 08-02402	REV A
SCALE NTS	DATE 07/21/14	SHEET 7 OF 11

SIGNED: 01/07/2016

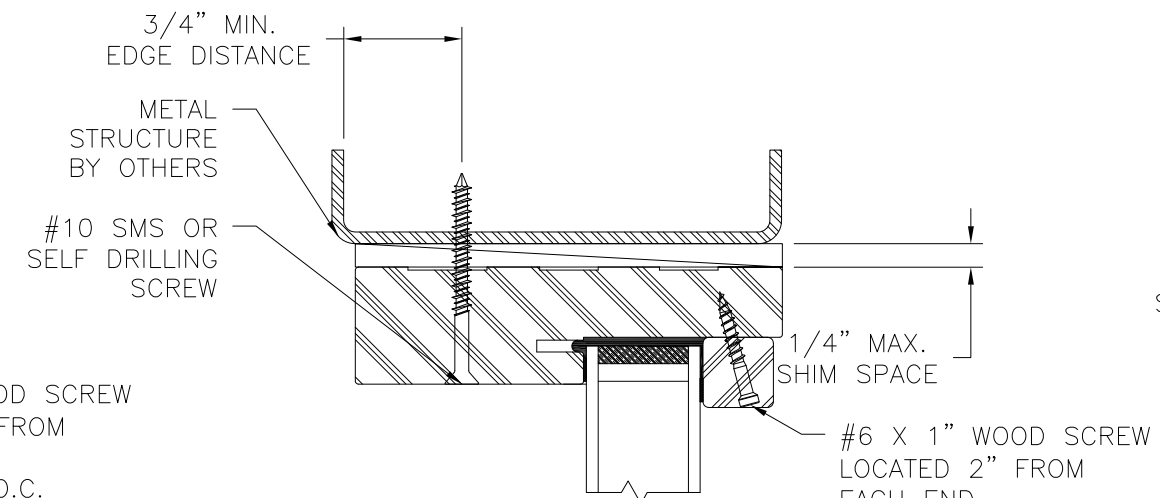
Luis R. Lomas P.E.
 TX No.: 101889

REVISIONS			
REV	DESCRIPTION	DATE	APPROVED
A	ADDED STRIKE DETAILS	01/06/16	R.L.



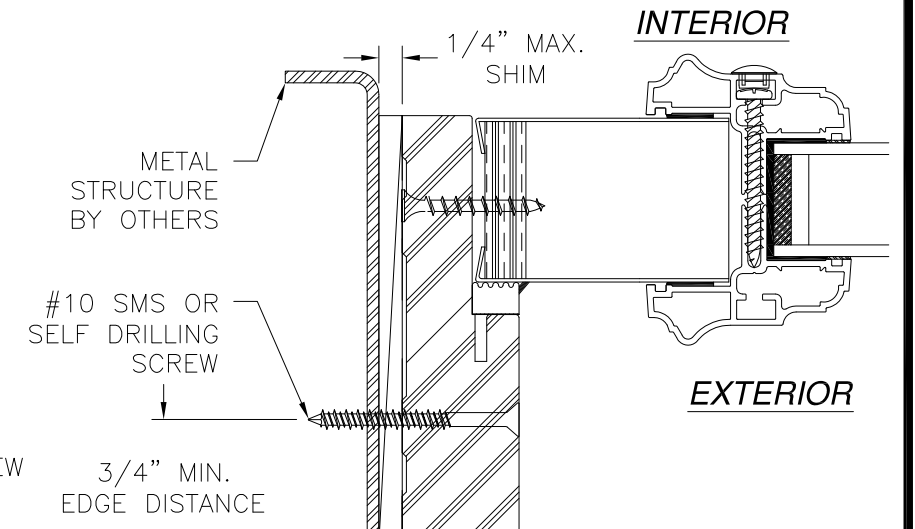
EXTERIOR

INTERIOR



EXTERIOR

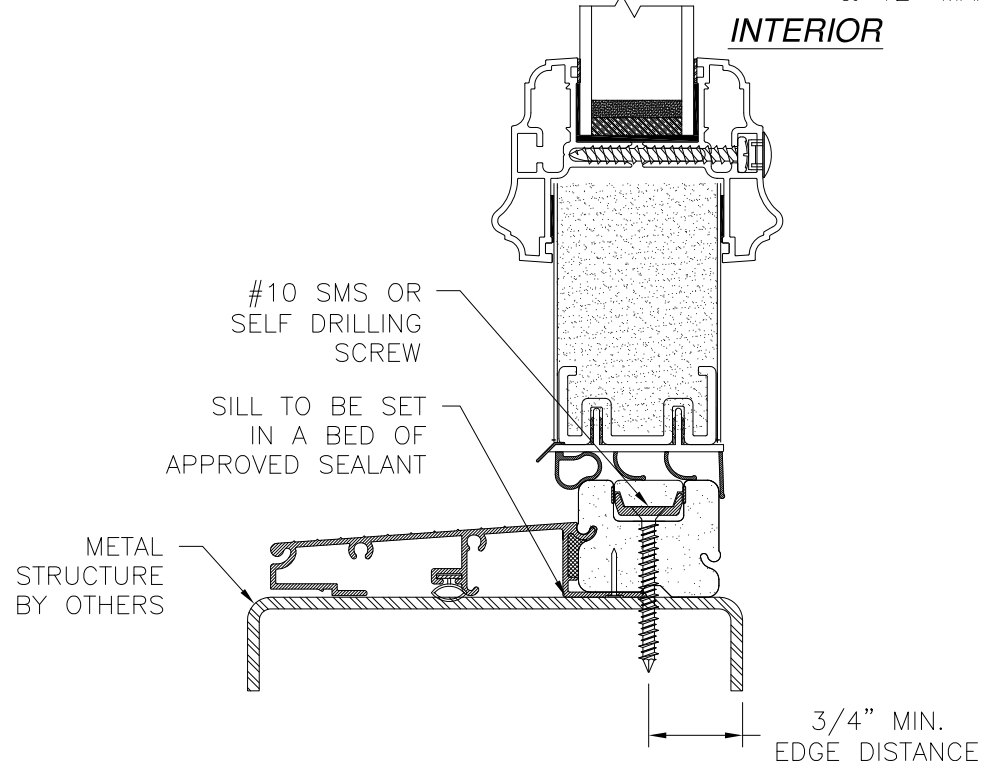
INTERIOR



INTERIOR

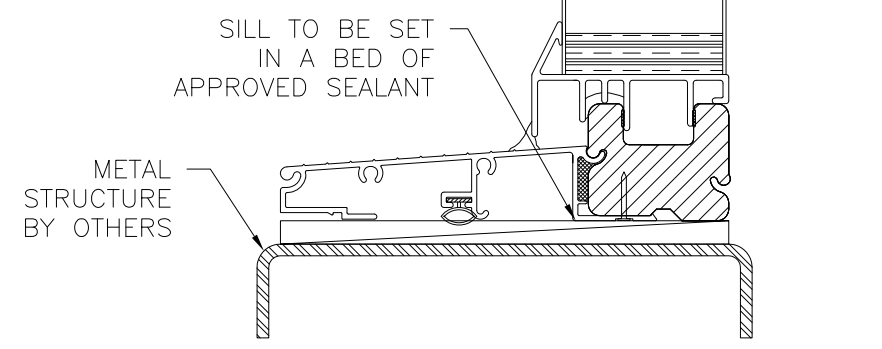
EXTERIOR

**HORIZONTAL CROSS SECTION
SIDELITE INSTALLATION METAL STRUCTURE
STANDARD SIDELITE SHOWN
DIRECT SET SIDELITE SIMILAR**



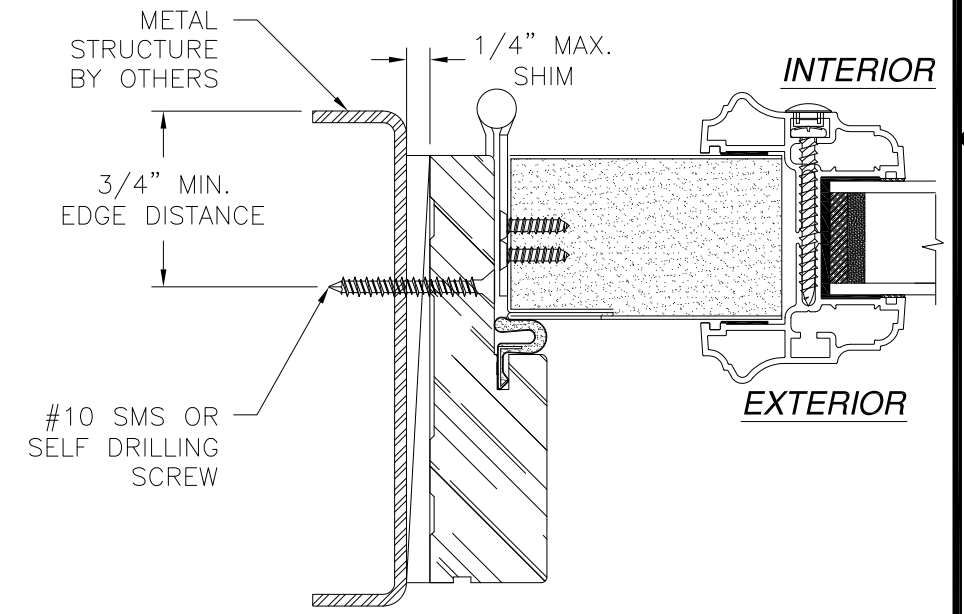
VERTICAL CROSS SECTION

**DOOR AND TRANSOM INSTALLATION METAL STRUCTURE
TRANSOM HEAD SHOWN
TRANSOM JAMB SIMILAR**



VERTICAL CROSS SECTION

**SIDELITE AND TRANSOM INSTALLATION METAL STRUCTURE
STANDARD SIDELITE SHOWN
DIRECT SET SIDELITE SIMILAR
TRANSOM HEAD SHOWN
TRANSOM JAMB SIMILAR**



INTERIOR

EXTERIOR

**HORIZONTAL CROSS SECTION
DOOR INSTALLATION METAL STRUCTURE**

SIGNED: 01/07/2016

NOTES:
1. INTERIOR AND EXTERIOR FINISHES, BY OTHERS, NOT SHOWN FOR CLARITY.
2. PERIMETER AND JOINT SEALANT BY OTHERS TO BE DESIGNED IN ACCORDANCE WITH ASTM E2112

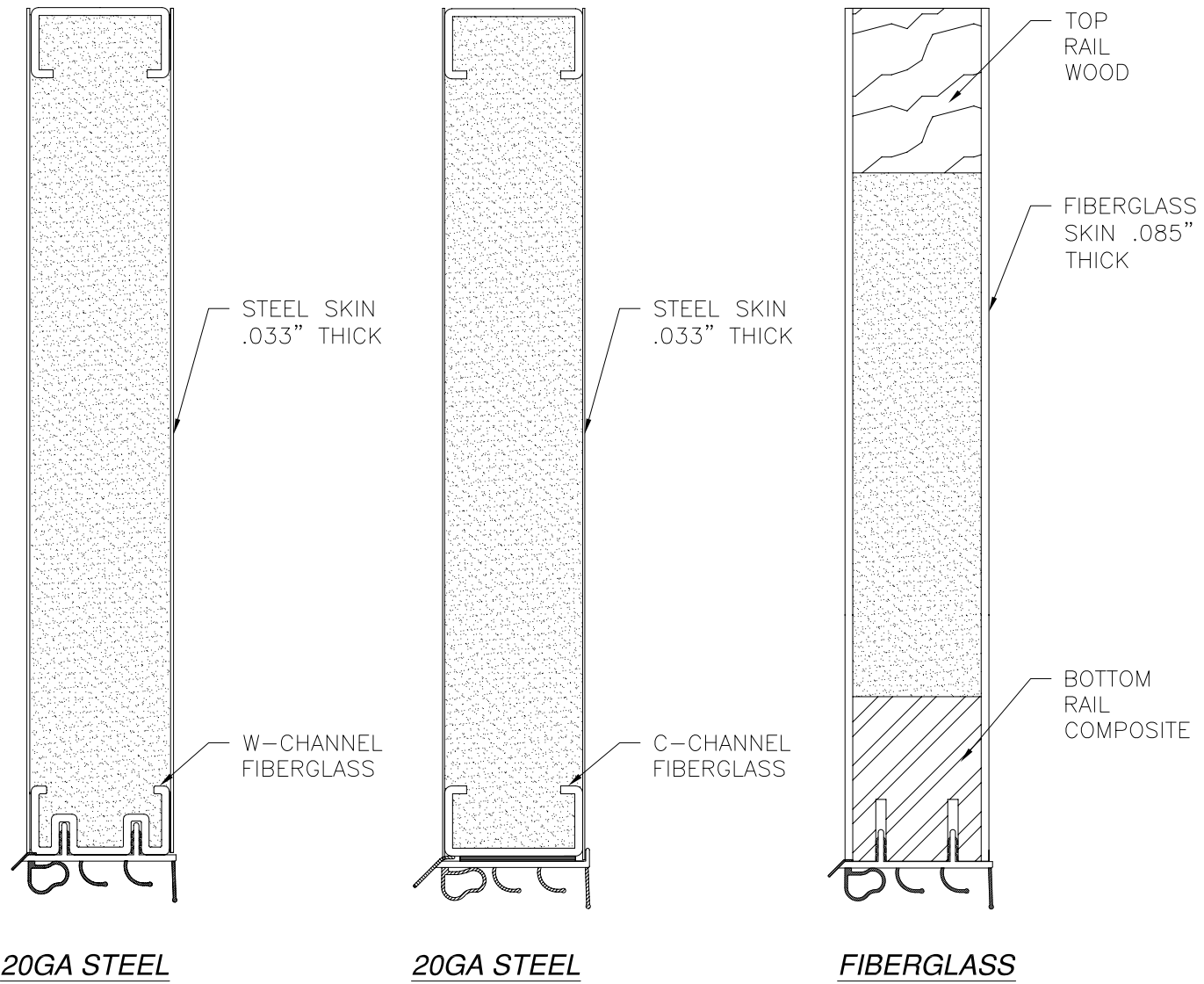
PROVIA DOOR, INC.
2150 STATE ROUTE 39
SUGARCREEK, OH 44681

STEEL/FIBERGLASS IS GLAZED DOUBLE DOOR NI
W/SIDELITES & TRANSOM COMPOSITE/WOOD FRAME
INSTALLATION DETAILS

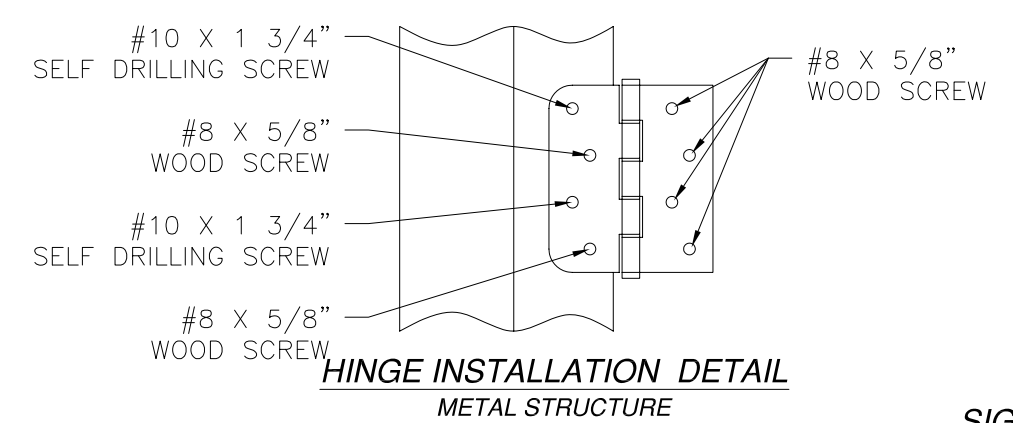
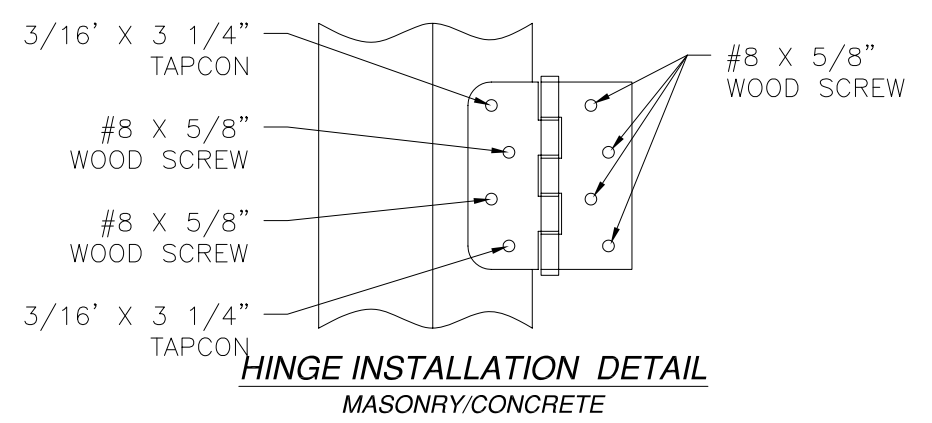
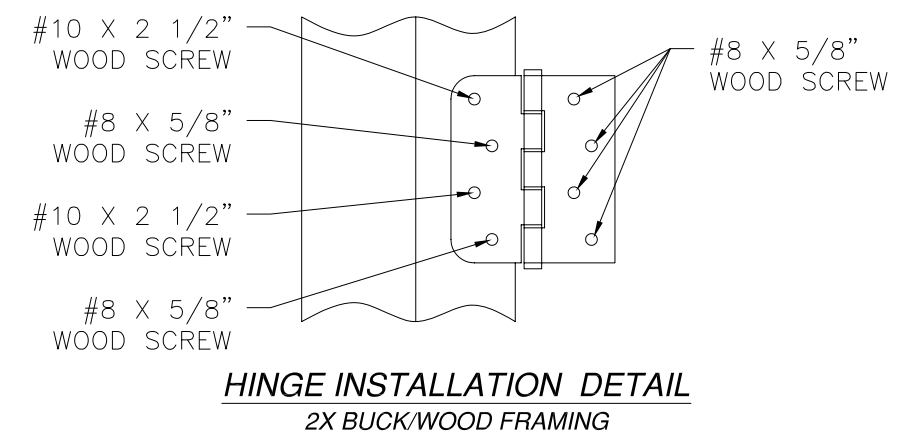
DRAWN: V.L.	DWG NO. 08-02402	REV A
SCALE NTS	DATE 07/21/14	SHEET 8 OF 11

Luis R. Lomas P.E.
TX No.: 101889

REVISIONS			
REV	DESCRIPTION	DATE	APPROVED
A	ADDED STRIKE DETAILS	01/06/16	R.L.



APPROVED SLABS



SIGNED: 01/07/2016

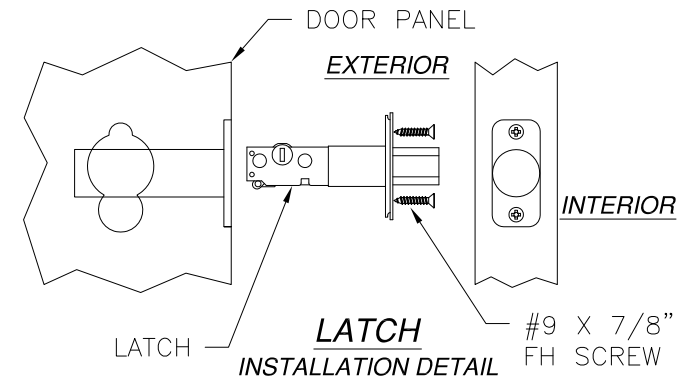
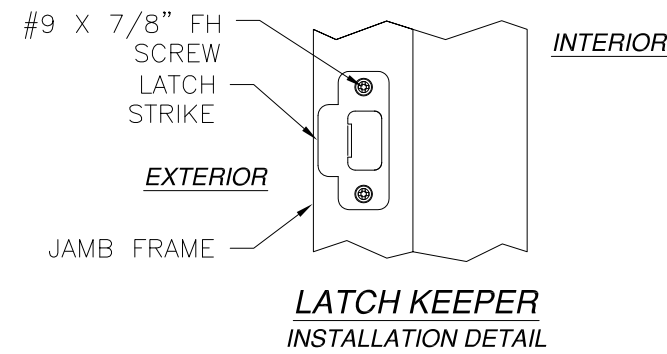
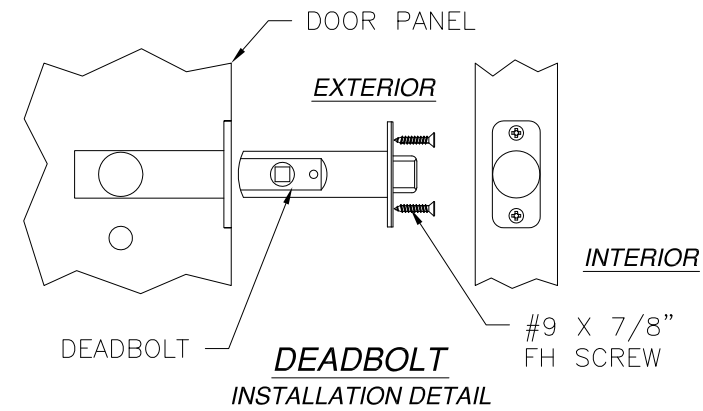
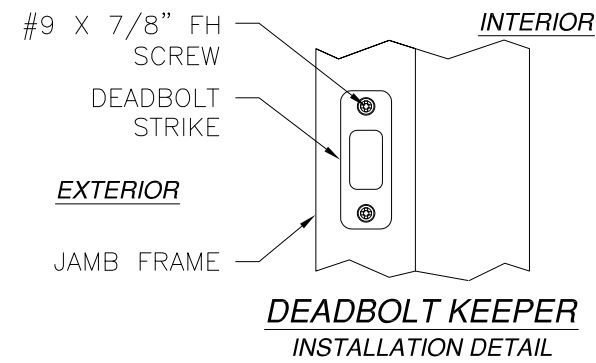
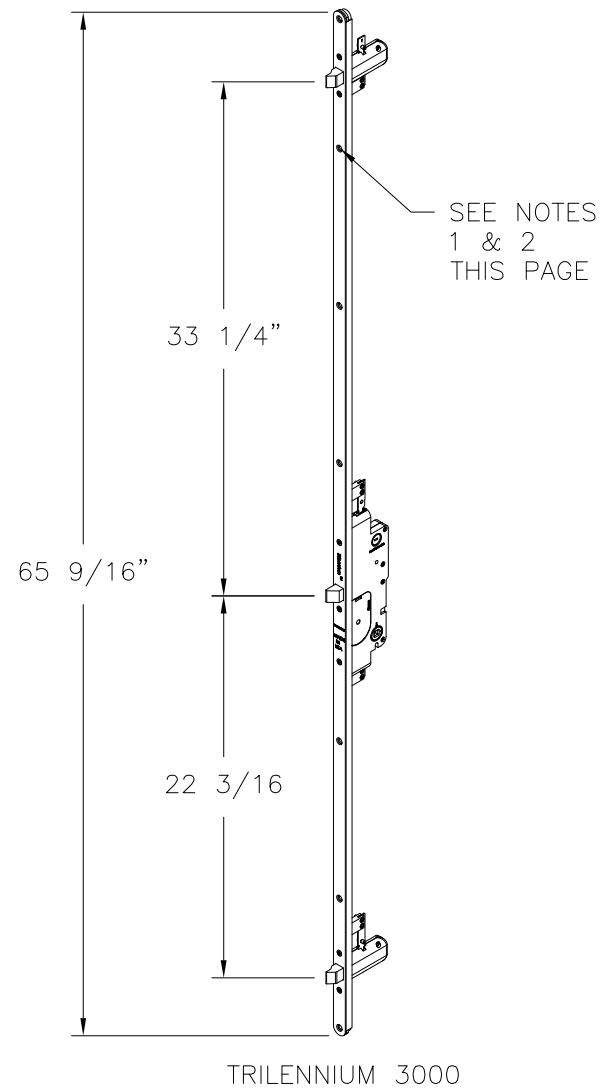
PROVIA DOOR, INC.
 2150 STATE ROUTE 39
 SUGARCREEK, OH 44681

STEEL/FIBERGLASS IS GLAZED DOUBLE DOOR NI
 W/SIDELITES & TRANSOM COMPOSITE/WOOD FRAME
 INSTALLATION DETAILS

DRAWN: V.L.	DWG NO. 08-02402	REV A
SCALE NTS	DATE 07/21/14	SHEET 9 OF 11

Luis R. Lomas P.E.
 TX No.: 101889

REVISIONS			
REV	DESCRIPTION	DATE	APPROVED
A	ADDED STRIKE DETAILS	01/06/16	R.L.



- NOTES:
- MULTIPOINT LOCK TO BE ATTACHED TO DOOR STILE USING (7) #10 X 1" FH WOOD SCREWS LOCATED IN PRE-DRILLED HOLES.
 - MULTIPOINT LOCK STRIKE PLATES TO BE ATTACHED TO JAMBS OR DOOR PANELS USING (2) #10 X 1" FH WOOD SCREWS & (1) #10 X 2 1/2" FH WOOD SCREW AT EACH LOCK LOCATION.

PROVIA DOOR, INC.
2150 STATE ROUTE 39
SUGARCREEK, OH 44681

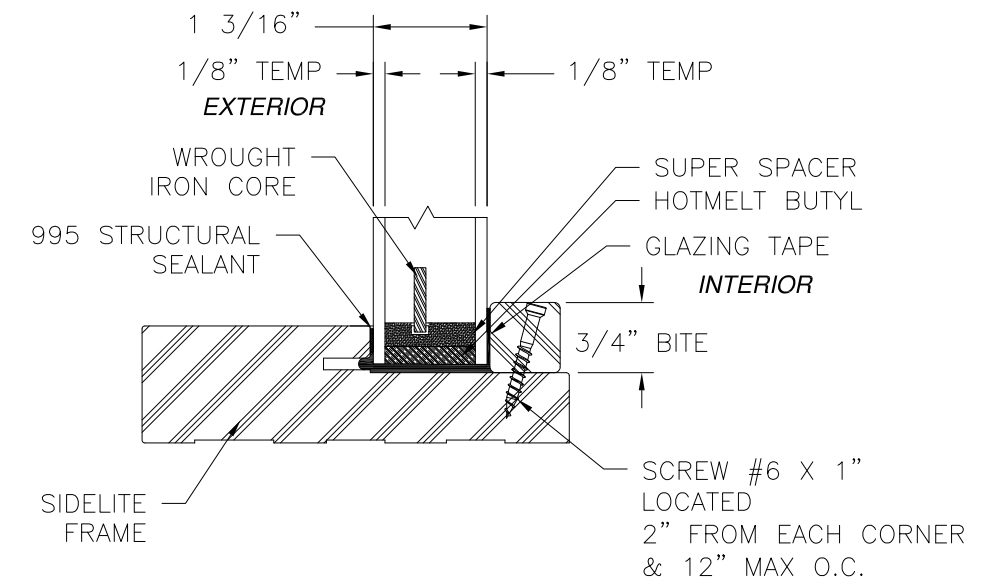
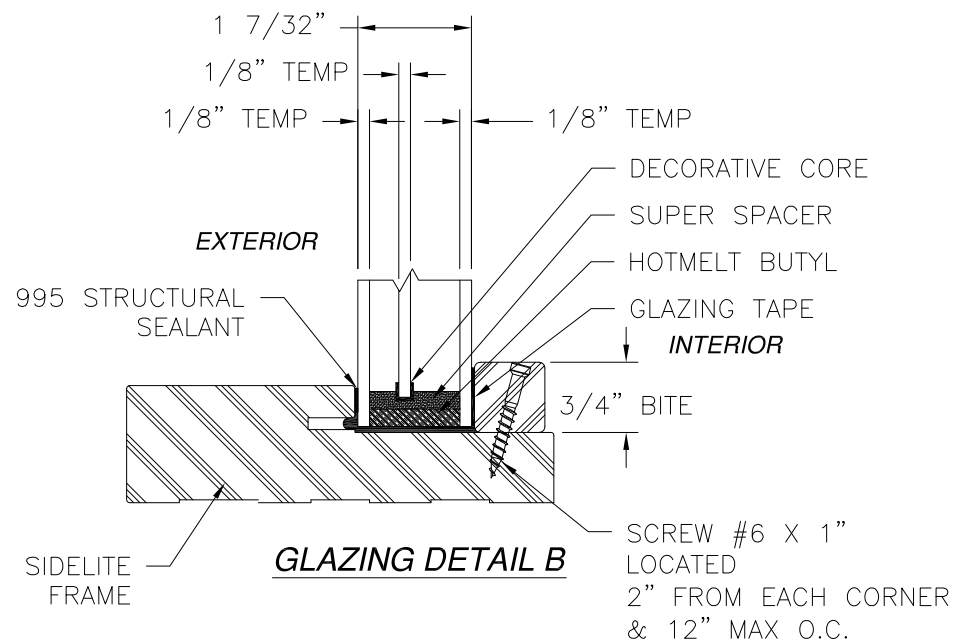
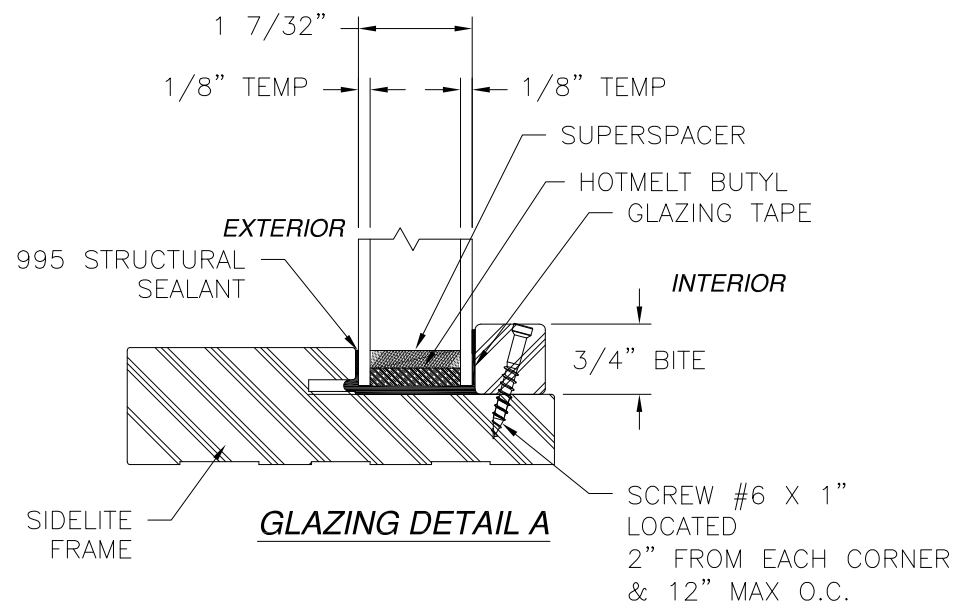
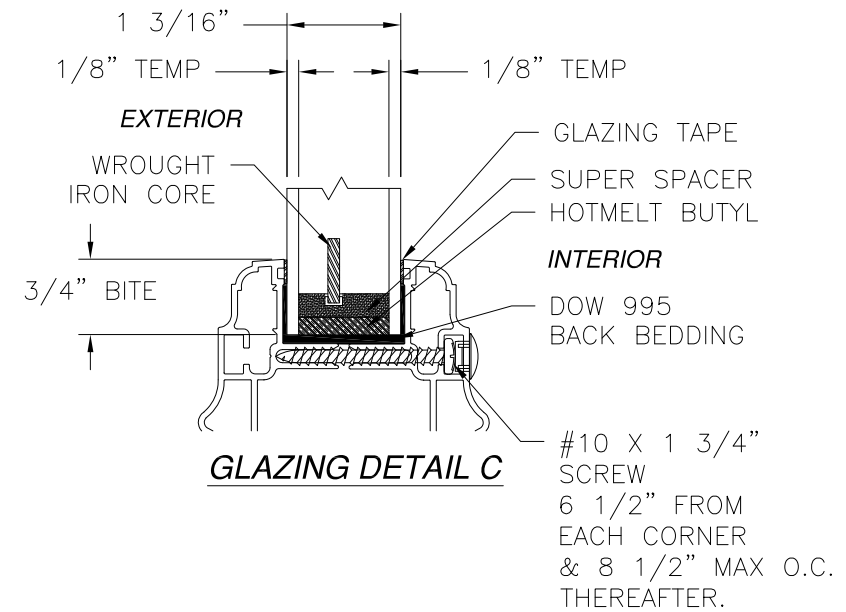
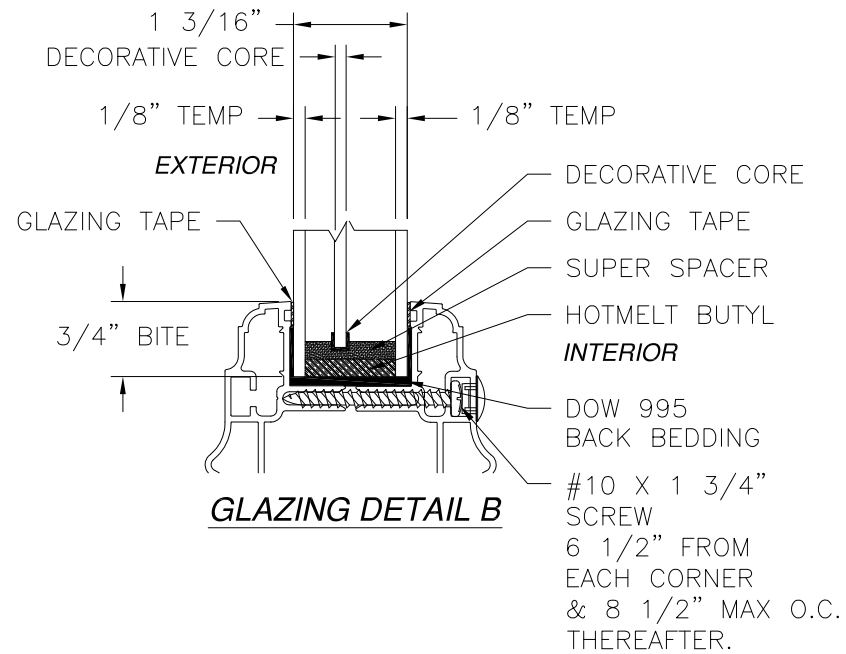
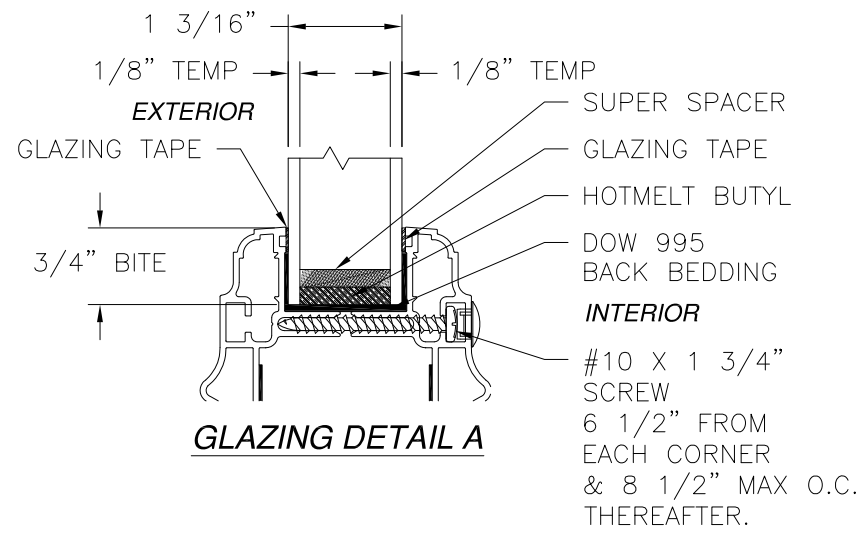
STEEL/FIBERGLASS IS GLAZED DOUBLE DOOR NI
W/SIDELITES & TRANSOM COMPOSITE/WOOD FRAME
INSTALLATION DETAILS

DRAWN: V.L.	DWG NO. 08-02402	REV A
SCALE NTS	DATE 07/21/14	SHEET 10 OF 11

SIGNED: 01/07/2016

Luis R. Lomas P.E.
TX No.: 101889

REVISIONS			
REV	DESCRIPTION	DATE	APPROVED
A	ADDED STRIKE DETAILS	01/06/16	R.L.



SIGNED: 01/07/2016

PROVIA DOOR, INC.
2150 STATE ROUTE 39
SUGARCREEK, OH 44681

STEEL/FIBERGLASS IS GLAZED DOUBLE DOOR NI
W/SIDELITES & TRANSOM COMPOSITE/WOOD FRAME
INSTALLATION DETAILS

DRAWN: V.L.	DWG NO. 08-02402	REV A
SCALE NTS	DATE 07/21/14	SHEET 11 OF 11

