

REVISIONS			
REV	DESCRIPTION	DATE	APPROVED
A	ADDED STRIKE AND GLASS DETAILS	01/06/16	R.L.

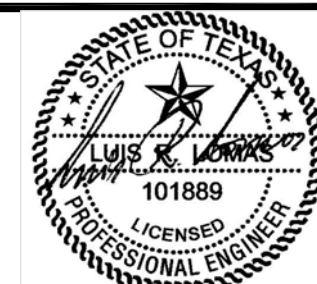
NOTES:

1. THE PRODUCT SHOWN HEREIN IS DESIGNED AND MANUFACTURED TO COMPLY WITH REQUIREMENTS OF THE 2006 IBC AND 2006 IRC WITH STATE OF TEXAS MODIFICATIONS.
2. WOOD FRAMING, METAL STRUCTURE AND MASONRY OPENING TO BE DESIGNED AND ANCHORED TO PROPERLY TRANSFER ALL LOADS TO STRUCTURE. FRAMING AND MASONRY OPENING IS THE RESPONSIBILITY OF THE ARCHITECT OR ENGINEER OF RECORD.
3. 1X BUCK OVER MASONRY/CONCRETE IS OPTIONAL. WHERE 1X BUCK IS NOT USED DISSIMILAR MATERIALS MUST BE SEPARATED WITH APPROVED COATING OR MEMBRANE. SELECTION OF COATING OR MEMBRANE IS THE RESPONSIBILITY OF THE ARCHITECT OR ENGINEER OF RECORD.
4. ALLOWABLE STRESS INCREASE OF 1/3 WAS NOT USED IN THE DESIGN OF THE PRODUCT SHOWN HEREIN. WIND LOAD DURATION FACTOR Cd=1.6 WAS USED FOR WOOD ANCHOR CALCULATIONS.
5. FRAME MATERIAL: COMPOSITE OR WOOD.  
DOOR SKIN MATERIAL: STEEL .033" THICK (MINIMUM) AND FIBERGLASS .085" THICK (MINIMUM).  
SIDELITE SKIN MATERIAL: STEEL .022" THICK (MINIMUM)
6. UNITS MUST BE GLAZED PER ASTM E1300-04, SEE SHEET 10 FOR GLASS DETAILS.
7. APPROVED IMPACT PROTECTIVE SYSTEM IS REQUIRED FOR THIS PRODUCT IN WIND BORNE DEBRIS REGIONS.
8. SHIM AS REQUIRED AT EACH INSTALLATION ANCHOR WITH LOAD BEARING SHIM. SHIM WHERE SPACE OF 1/16" OR GREATER OCCURS. MAXIMUM ALLOWABLE SHIM STACK TO BE 1/4".
9. FOR ANCHORING INTO WOOD FRAMING OR 2X BUCK USE #10 WOOD SCREWS WITH SUFFICIENT LENGTH TO ACHIEVE A 1 3/8" MINIMUM EMBEDMENT INTO SUBSTRATE. LOCATE ANCHORS AS SHOWN IN ELEVATIONS AND INSTALLATION DETAILS.
10. FOR ANCHORING INTO MASONRY/CONCRETE USE 3/16" TAPCONS WITH SUFFICIENT LENGTH TO ACHIEVE A 1 1/4" MINIMUM EMBEDMENT INTO SUBSTRATE WITH 2 1/2" MINIMUM EDGE DISTANCE. LOCATE ANCHORS AS SHOWN IN ELEVATIONS AND INSTALLATION DETAILS.
11. FOR ANCHORING INTO METAL STRUCTURE USE #10 SMS OR SELF DRILLING SCREWS WITH SUFFICIENT LENGTH TO ACHIEVE 3 THREADS MINIMUM BEYOND STRUCTURE INTERIOR WALL. LOCATE ANCHORS AS SHOWN IN ELEVATIONS AND INSTALLATION DETAILS.
12. ALL FASTENERS TO BE CORROSION RESISTANT.
13. INSTALLATION ANCHORS SHALL BE INSTALLED IN ACCORDANCE WITH ANCHOR MANUFACTURER'S INSTALLATION INSTRUCTIONS AND ANCHORS SHALL NOT BE USED IN SUBSTRATES WITH STRENGTHS LESS THAN THE MINIMUM STRENGTH SPECIFIED BELOW:
  - A. WOOD – MINIMUM SPECIFIC GRAVITY OF G=0.42
  - B. CONCRETE – MINIMUM COMPRESSIVE STRENGTH OF 3,192 PSI.
  - C. MASONRY – STRENGTH CONFORMANCE TO ASTM C-90, GRADE N, TYPE 1 (OR GREATER).
  - D. METAL STRUCTURE: STEEL 18GA, 33KSI OR ALUMINUM 6063-T5 1/8" THICK MINIMUM
14. DOOR CONSTRUCTION MAYBE CONTINUOUS HEAD FRAME AND CONTINUOUS THRESHOLD OR BOX CONSTRUCTION.

SIGNED: 01/07/2016

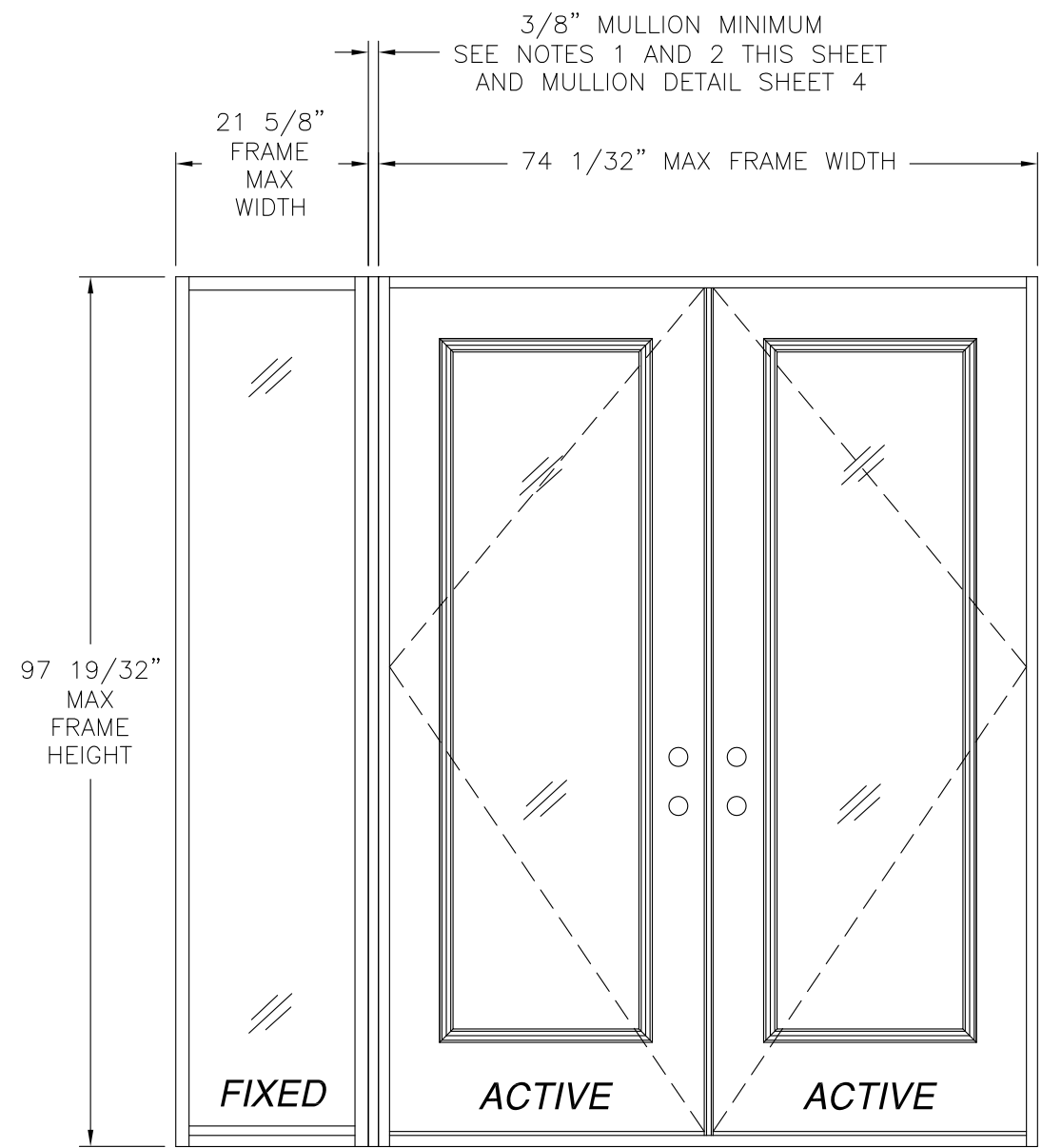
TABLE OF CONTENTS	
SHEET NO.	DESCRIPTION
1	NOTES
2 - 3	ELEVATIONS
4	ANCHORING LAYOUTS
5 - 10	INSTALLATION DETAILS

PROVIA DOOR, INC. 2150 STATE ROUTE 39 SUGARCREEK, OH 44681		
STEEL/FIBERGLASS INSWING GLAZED DOUBLE DOOR W/SIDELITES NON-IMPACT COMPOSITE/WOOD FRAME NOTES		
DRAWN: V.L.	DWG NO. 08-02400	REV A
SCALE NTS	DATE 07/21/14	SHEET 1 OF 10

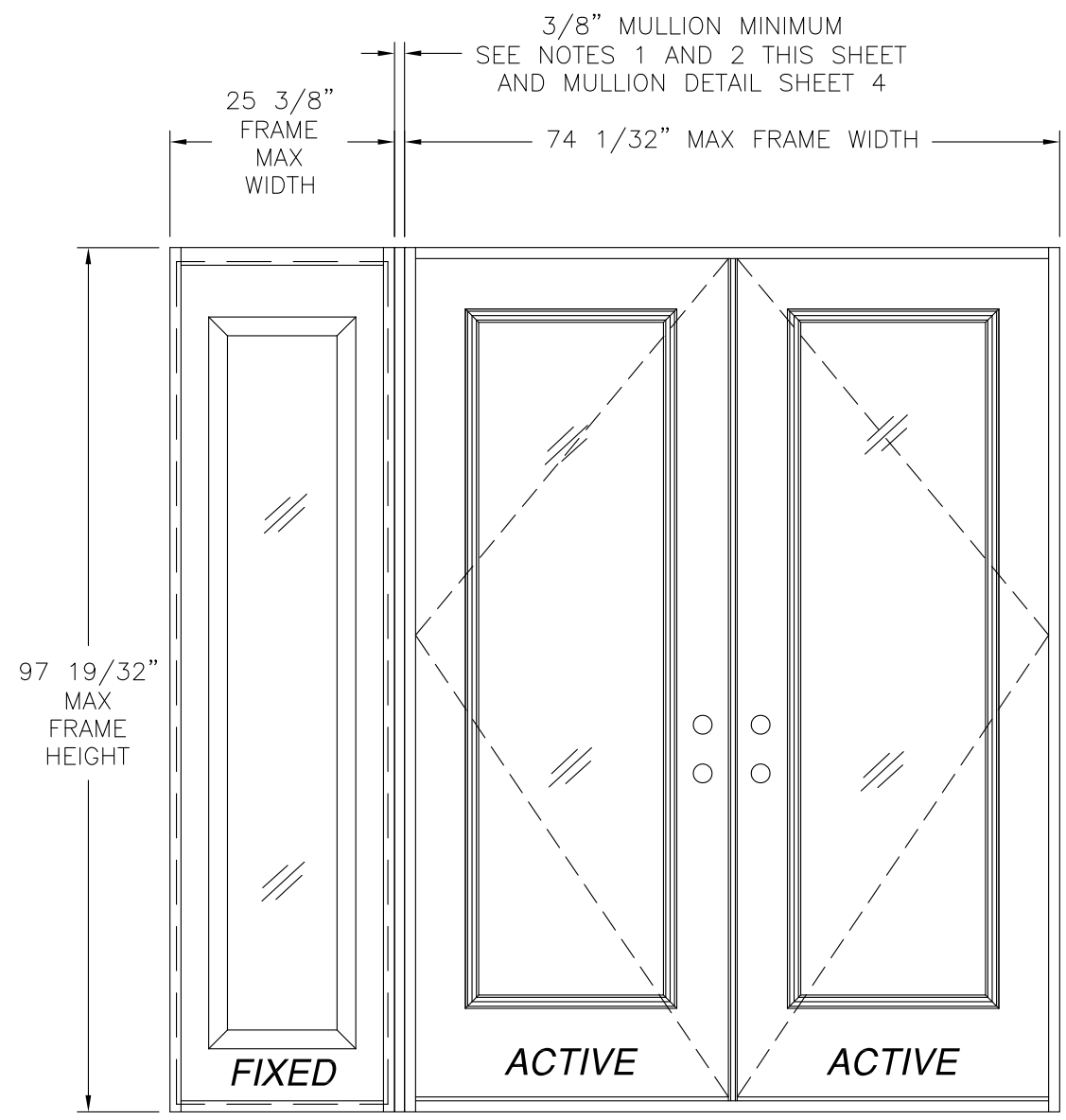


Luis R. Lomas P.E.  
TX No.: 101889

REVISIONS			
REV	DESCRIPTION	DATE	APPROVED
A	ADDED STRIKE AND GLASS DETAILS	01/06/16	R.L.



**DOUBLE W/ DIRECT SET SIDELITE**  
EXTERIOR VIEW  
OXX SHOWN XXO ALSO APPROVED



**DOUBLE WITH STANDARD SIDELITE**  
EXTERIOR VIEW  
OXX SHOWN XXO ALSO APPROVED

DESIGN PRESSURE RATING	IMPACT RATING
±55.0PSF	NONE

- D.L.O. NOTES:
1. MAXIMUM DOOR D.L.O.: 20 3/8" X 78 1/2"
  2. MAXIMUM STD SIDELITE D.L.O.: 12 3/8" X 78 3/8"
  3. MAXIMUM DIRECT SET SIDELITE D.L.O.: 18 5/8" X 93 3/4"

- NOTES:
1. MAXIMUM ALLOWED BUILD UP TO BE 7" AT EACH VERTICAL MULLION.
  2. IF SIDELITE WIDTH IS 16" OR LESS NO VERTICAL MULLION IS REQUIRED.

SIGNED: 01/07/2016

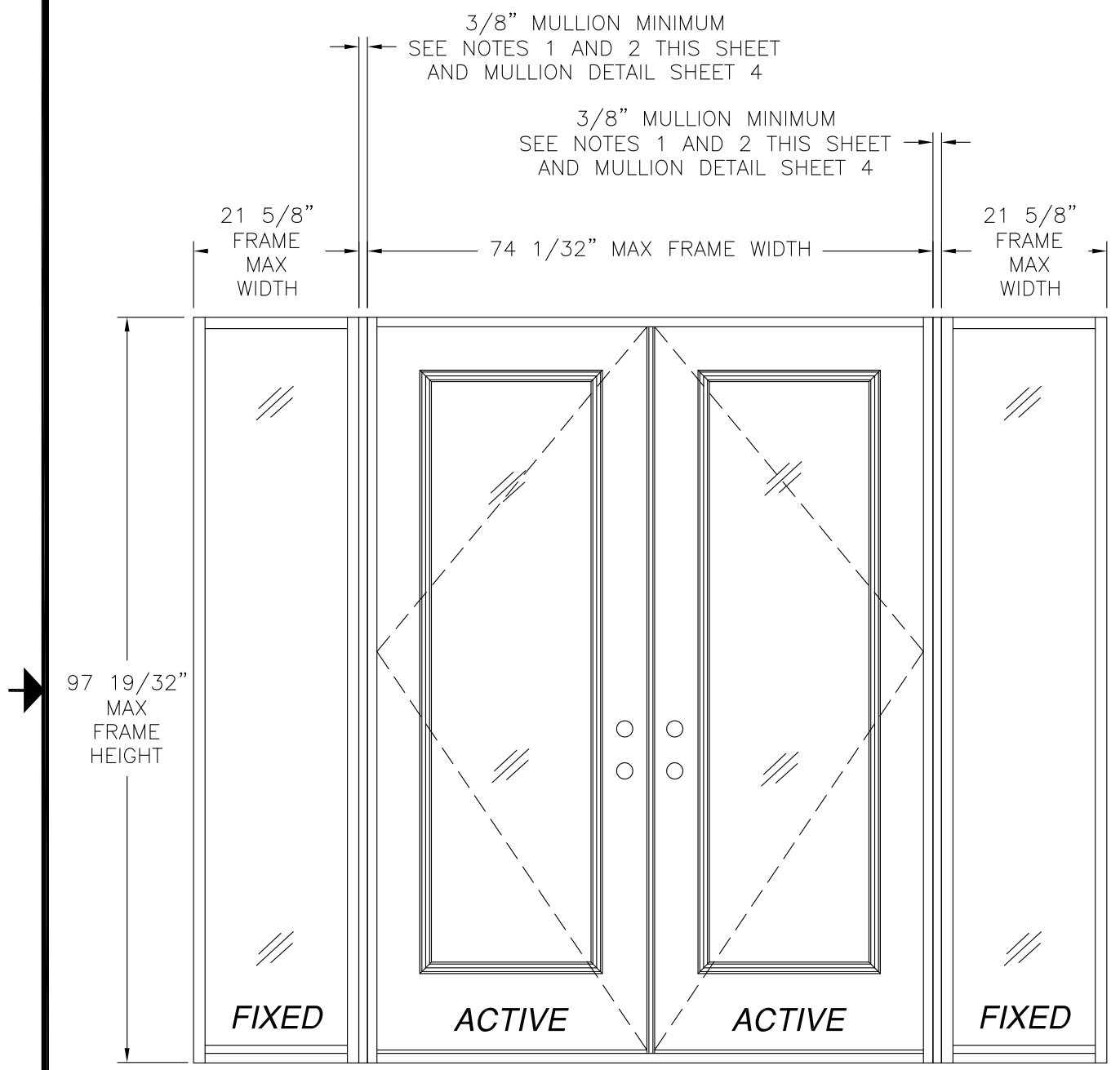
PROVIA DOOR, INC.  
2150 STATE ROUTE 39  
SUGARCREEK, OH 44681

STEEL/FIBERGLASS INSWING GLAZED DOUBLE DOOR  
W/SIDELITES NON-IMPACT COMPOSITE/WOOD FRAME  
ELEVATIONS

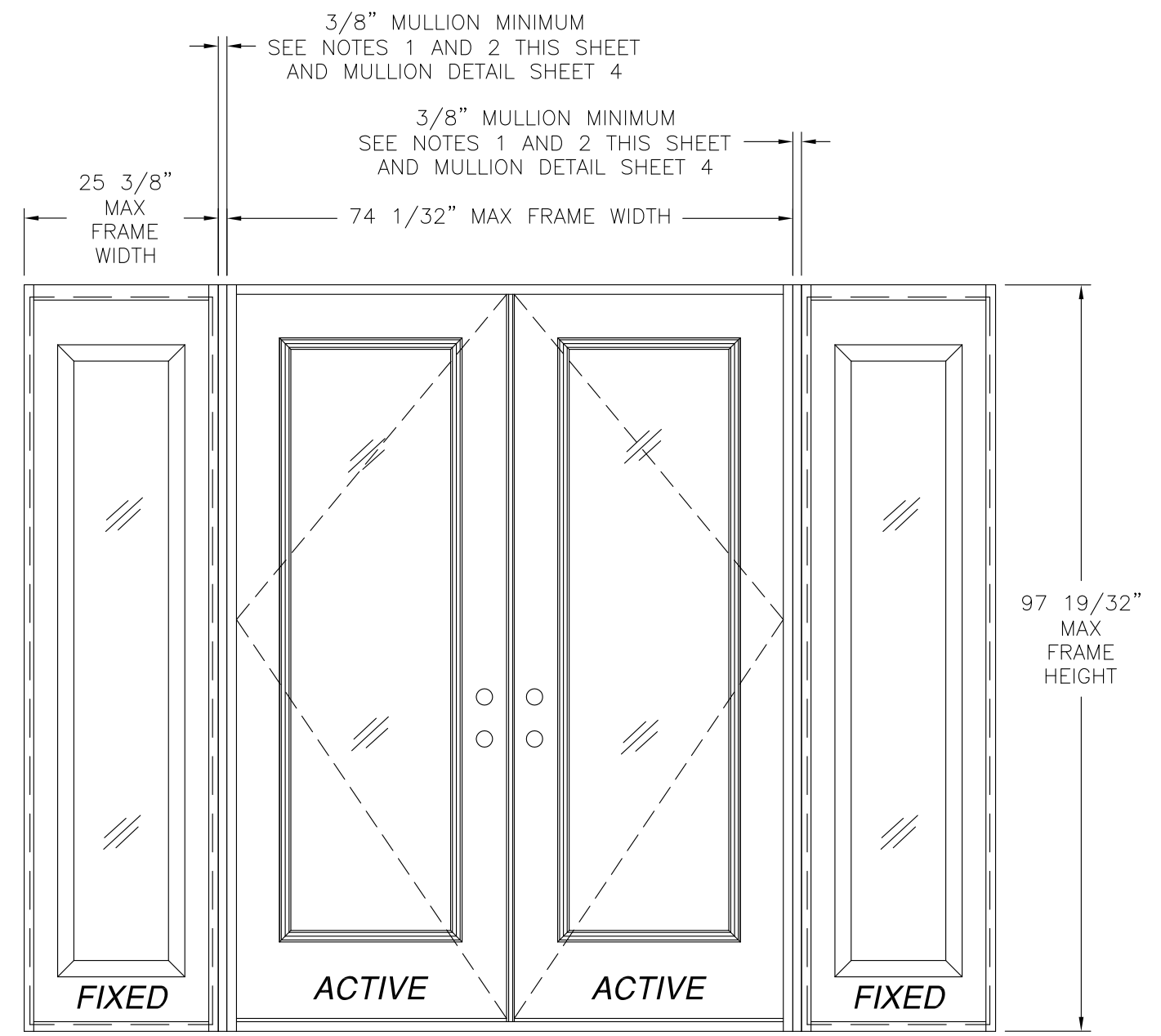
DRAWN: V.L.	DWG NO. 08-02400	REV A
SCALE NTS	DATE 07/21/14	SHEET 2 OF 10

Luis R. Lomas P.E.  
TX No.: 101889

REVISIONS			
REV	DESCRIPTION	DATE	APPROVED
A	ADDED STRIKE AND GLASS DETAILS	01/06/16	R.L.



**DOUBLE WITH DIRECT SET SIDELITES**  
EXTERIOR VIEW



**DOUBLE WITH STANDARD SIDELITES**  
EXTERIOR VIEW

DESIGN PRESSURE RATING	IMPACT RATING
±55.0PSF	NONE

- NOTES:
1. MAXIMUM ALLOWED BUILD UP TO BE 7" AT EACH VERTICAL MULLION.
  2. IF SIDELITE WIDTH IS 16" OR LESS NO VERTICAL MULLION IS REQUIRED.

SIGNED: 01/07/2016

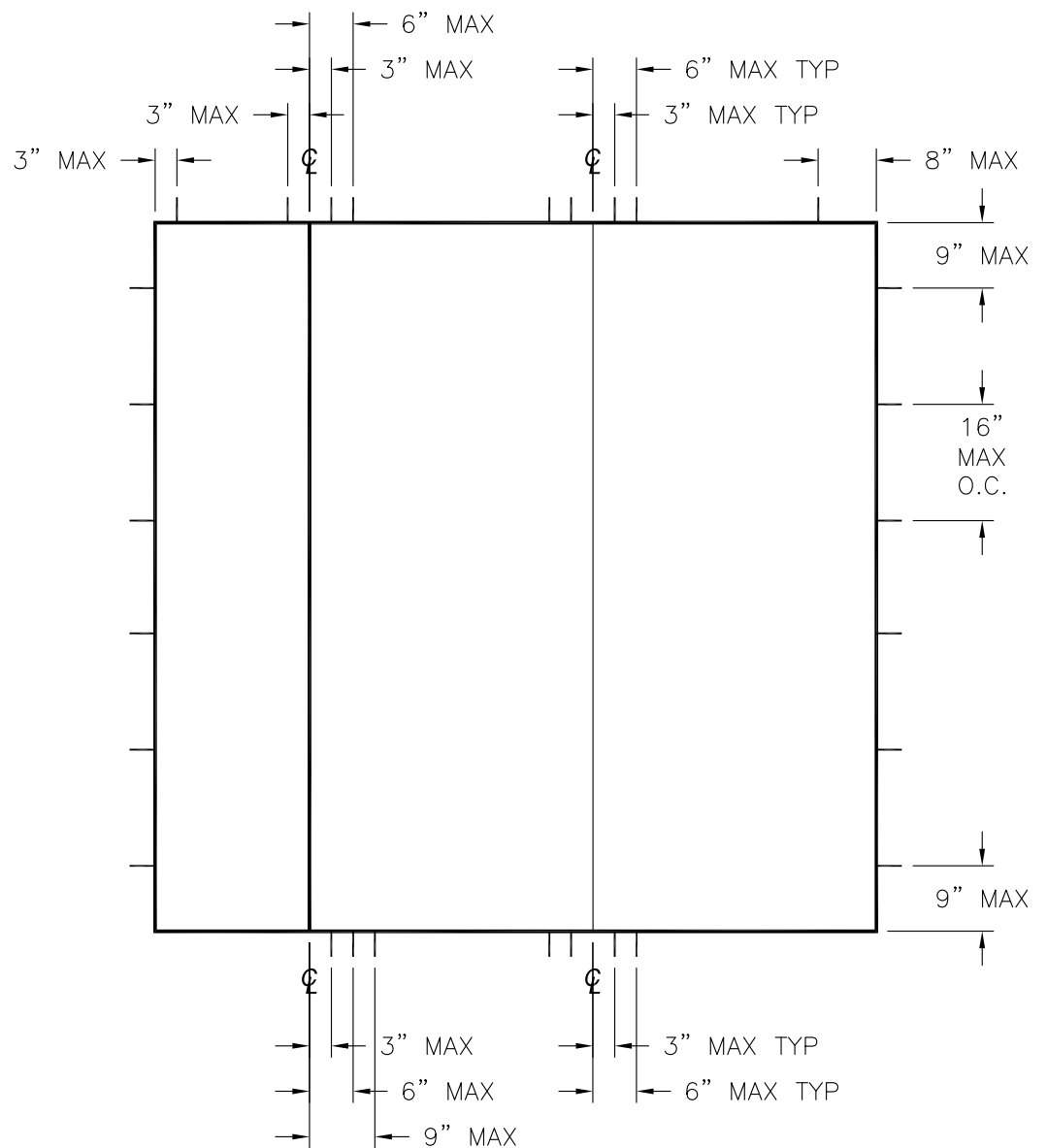
PROVIA DOOR, INC.  
2150 STATE ROUTE 39  
SUGARCREEK, OH 44681

STEEL/FIBERGLASS INSWING GLAZED DOUBLE DOOR  
W/SIDELITES NON-IMPACT COMPOSITE/WOOD FRAME  
ELEVATIONS

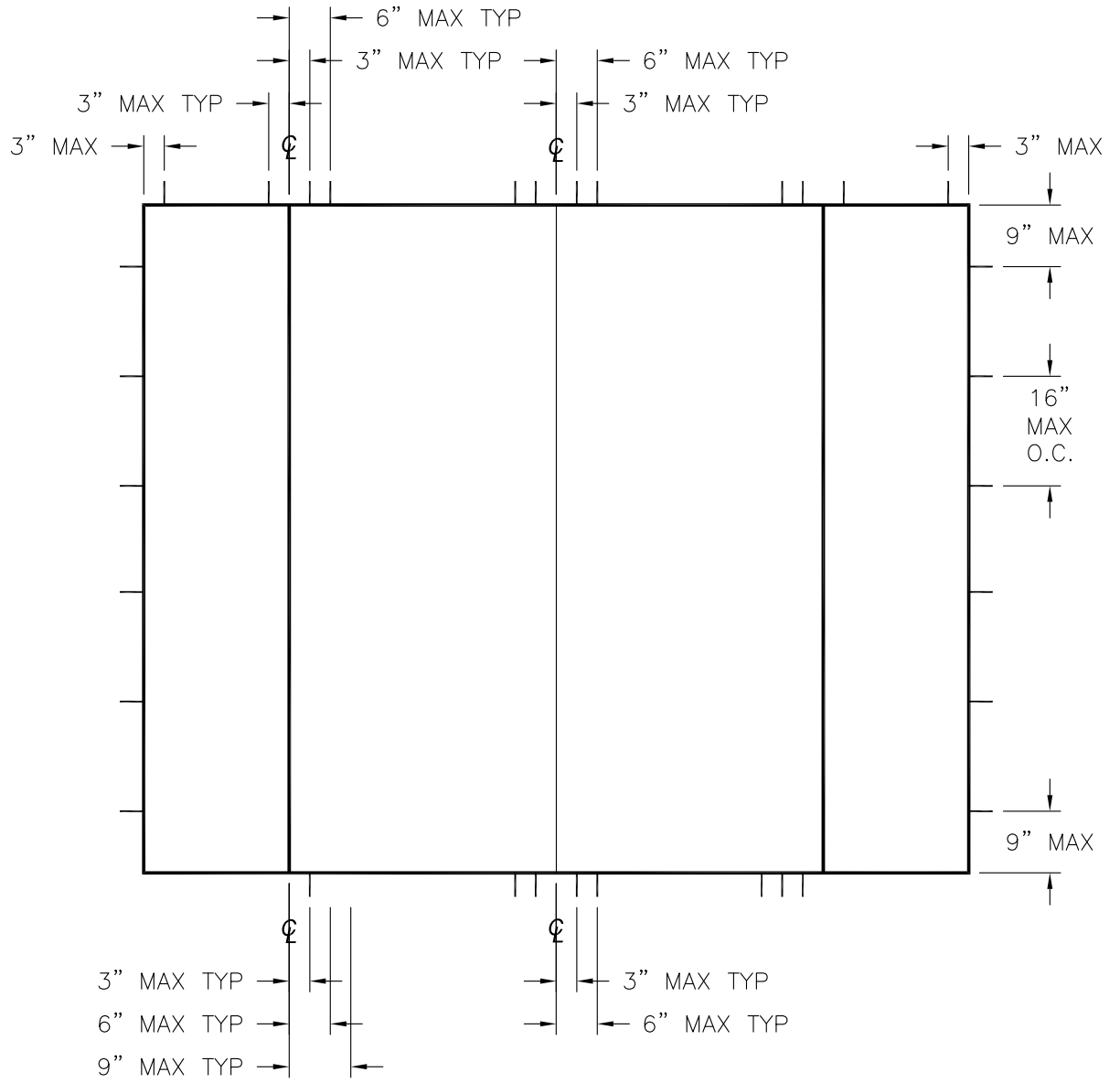
DRAWN: V.L.	DWG NO. 08-02400	REV A
SCALE NTS	DATE 07/21/14	SHEET 3 OF 10

Luis R. Lomas P.E.  
TX No.: 101889

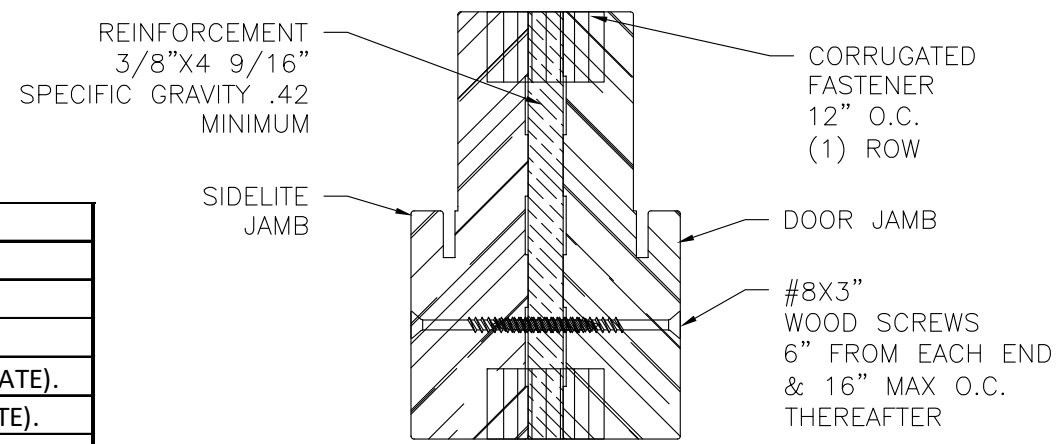
REVISIONS			
REV	DESCRIPTION	DATE	APPROVED
A	ADDED STRIKE AND GLASS DETAILS	01/06/16	R.L.



**DOUBLE DOOR WITH SIDELITE**



**DOUBLE DOOR WITH SIDELITES**



**MULLION DETAIL**

HARDWARE SCHEDULE	
A.	F-SERIES LOCK ASSEMBLY DOOR KNOB BY SCHLAGE.
B.	B-SERIES DEADBOLT ASSEMBLY BY SCHLAGE.
C.	F-SERIES DEADBOLT ASSEMBLY BY SCHLAGE.
D.	RESIDENTIAL GRADE DOOR HANDLE ASSEMBLY BY EMTEK (ALTERNATE).
E.	MULTI-POINT LOCK HANDLE ASSEMBLY BY TRILENNIUM (ALTERNATE).
F.	(3) 4" x 4" BALL BEARING HINGES BY PENROD.
G.	(3) 4" x 4" SPRING BOMMER HINGES BY PENROD. (ALTERNATE)

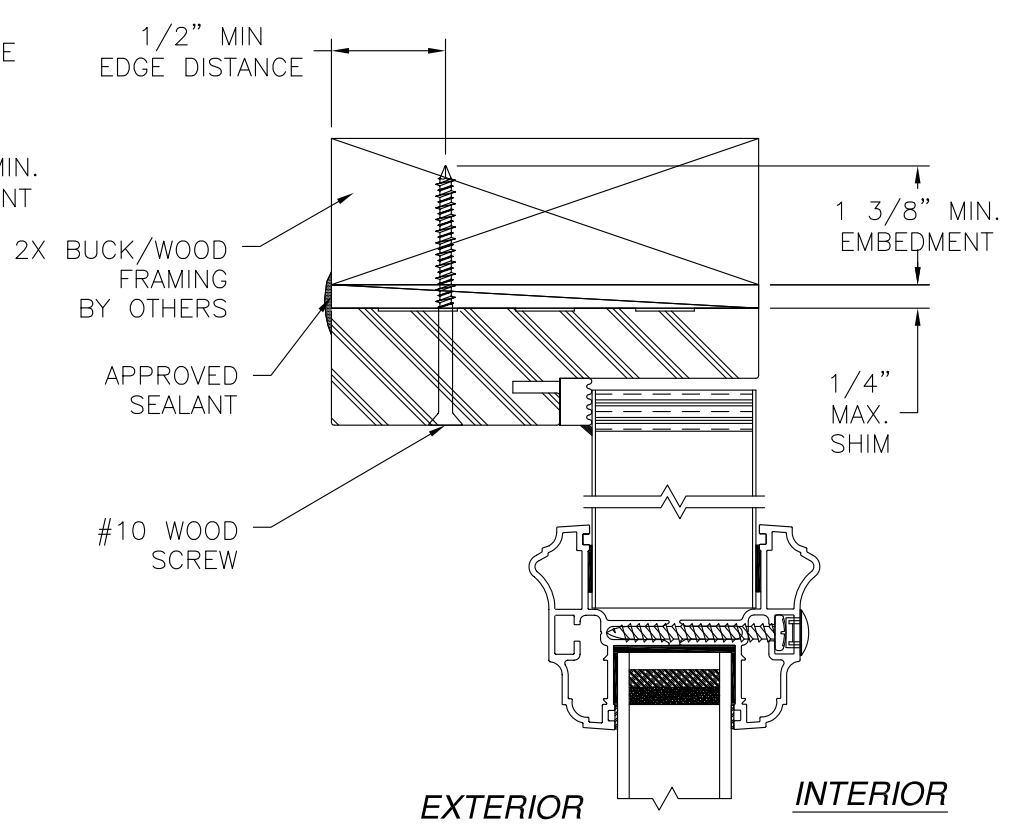
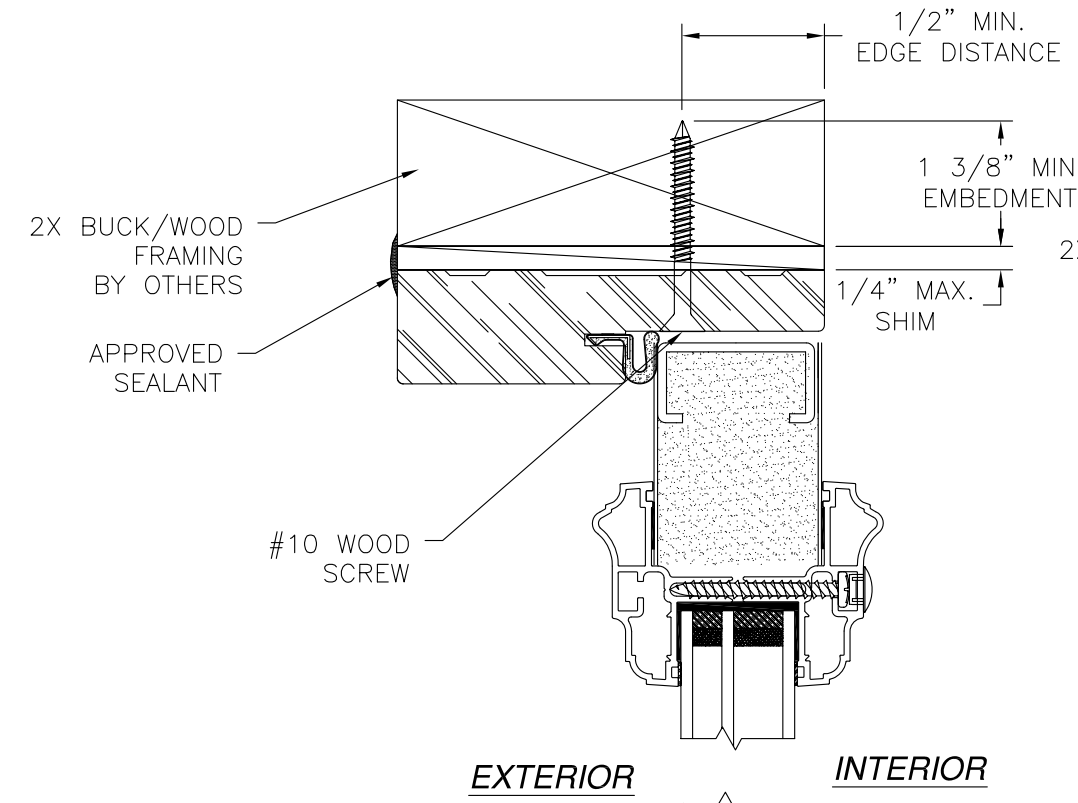
SIGNED: 01/07/2016

**PROVIA DOOR, INC.**  
 2150 STATE ROUTE 39  
 SUGARCREEK, OH 44681

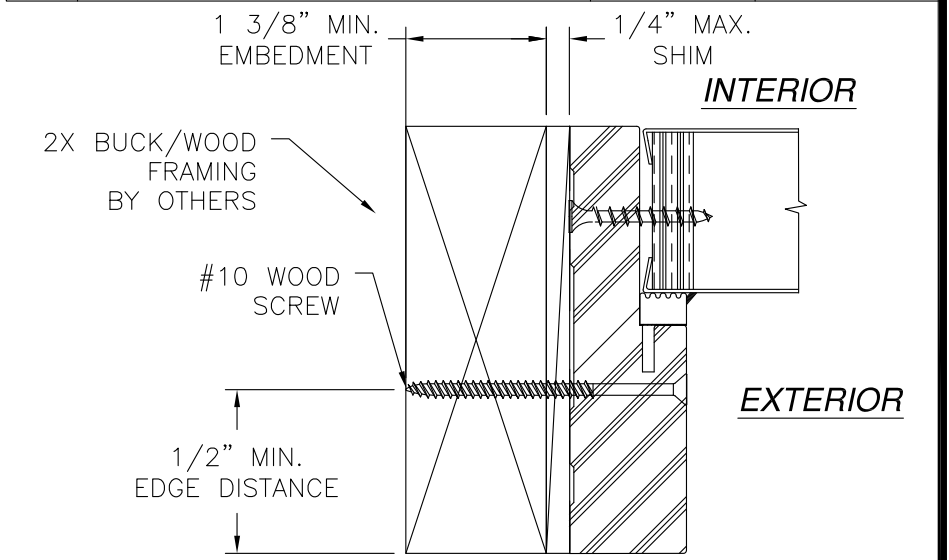
STEEL/FIBERGLASS INSWING GLAZED DOUBLE DOOR  
 W/SIDELITES NON-IMPACT COMPOSITE/WOOD FRAME  
 ANCHORING LAYOUT

DRAWN: V.L.	DWG NO. 08-02400	REV A
SCALE NTS	DATE 07/21/14	SHEET 4 OF 10

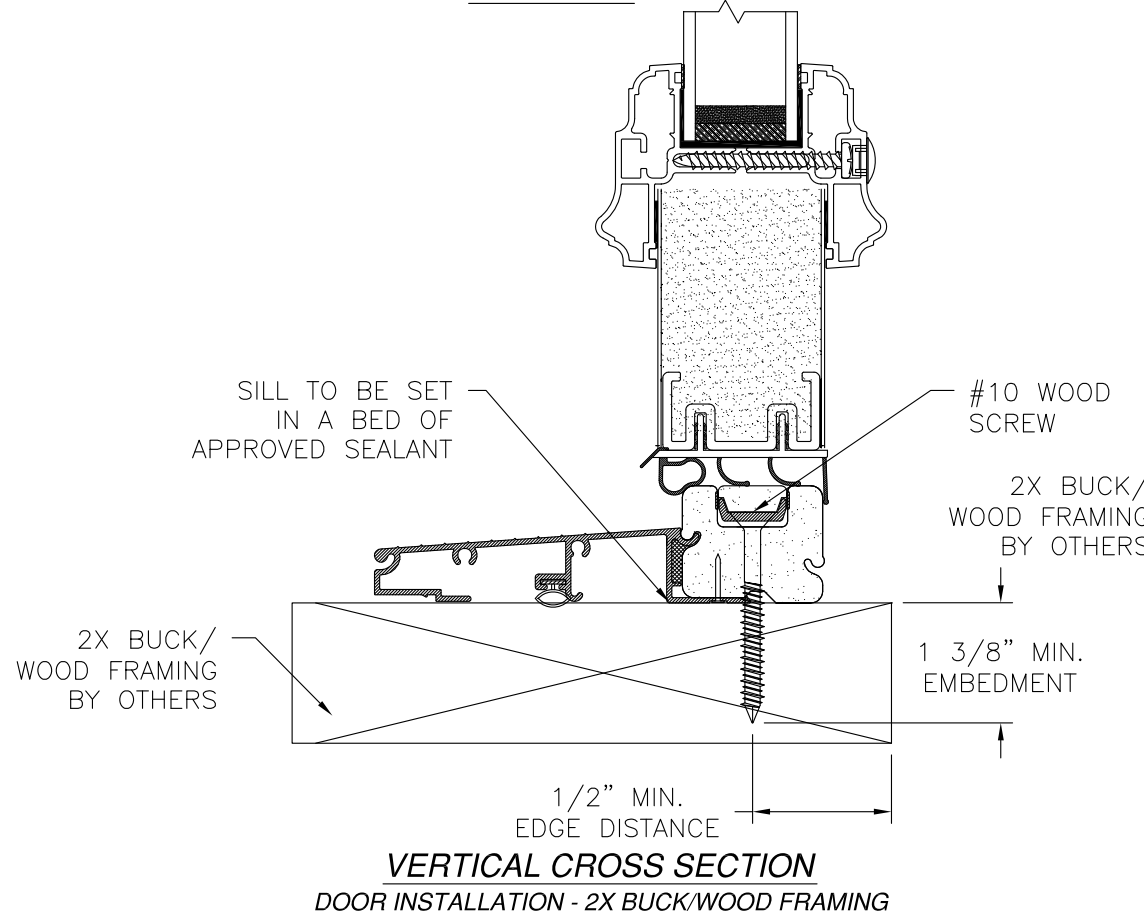
Luis R. Lomas P.E.  
 TX No.: 101889



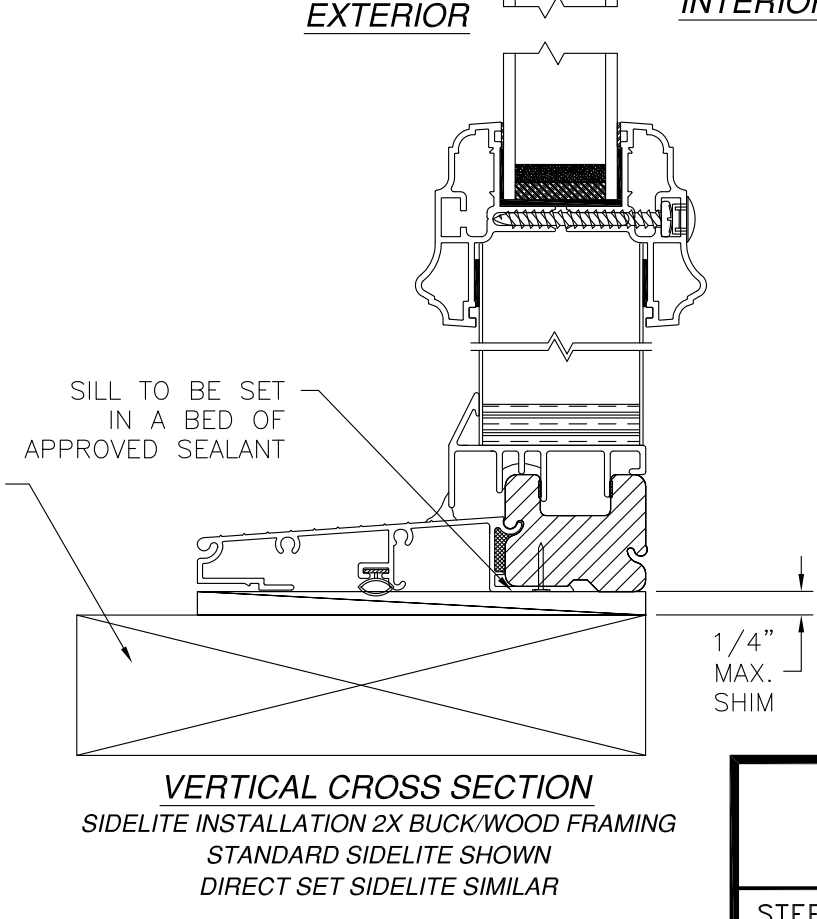
REVISIONS			
REV	DESCRIPTION	DATE	APPROVED
A	ADDED STRIKE AND GLASS DETAILS	01/06/16	R.L.



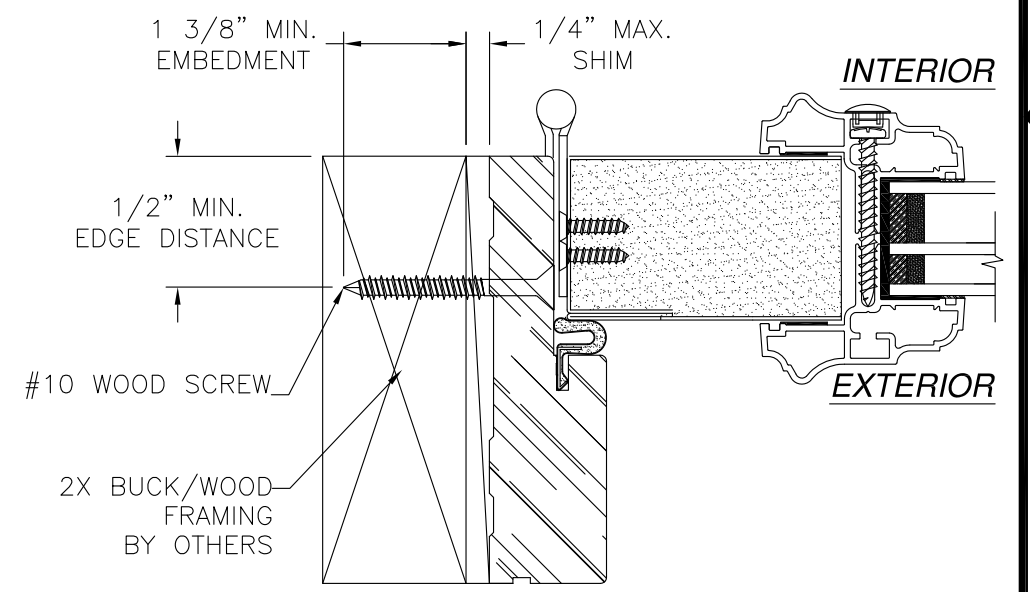
**HORIZONTAL CROSS SECTION**  
SIDELITE INSTALLATION 2X BUCK/WOOD FRAMING  
STANDARD SIDELITE SHOWN  
DIRECT SET SIDELITE SIMILAR



**VERTICAL CROSS SECTION**  
DOOR INSTALLATION - 2X BUCK/WOOD FRAMING



**VERTICAL CROSS SECTION**  
SIDELITE INSTALLATION 2X BUCK/WOOD FRAMING  
STANDARD SIDELITE SHOWN  
DIRECT SET SIDELITE SIMILAR



**HORIZONTAL CROSS SECTION**  
DOOR INSTALLATION - 2X BUCK/WOOD FRAMING  
SIGNED: 01/07/2016

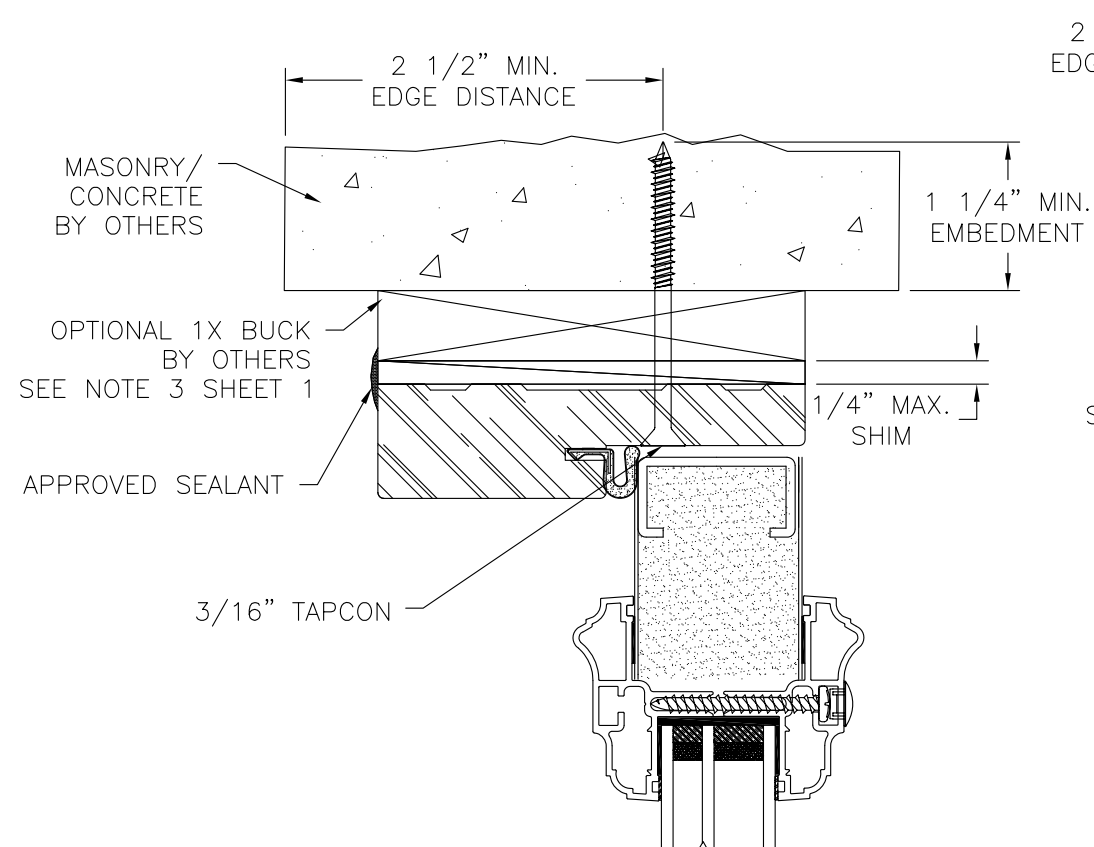
**NOTES:**  
1. INTERIOR AND EXTERIOR FINISHES, BY OTHERS, NOT SHOWN FOR CLARITY.  
2. PERIMETER AND JOINT SEALANT BY OTHERS TO BE DESIGNED IN ACCORDANCE WITH ASTM E2112

**PROVIA DOOR, INC.**  
2150 STATE ROUTE 39  
SUGARCREEK, OH 44681

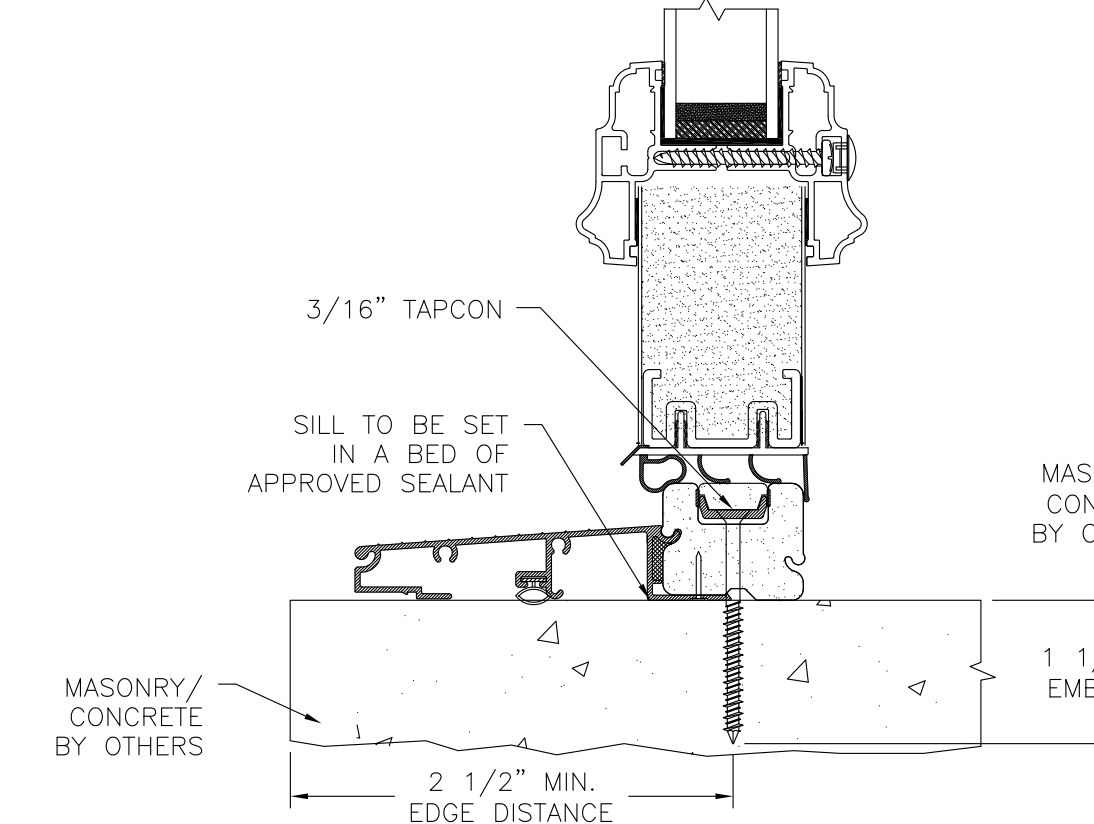
STEEL/FIBERGLASS INSWING GLAZED DOUBLE DOOR  
W/SIDELITES NON-IMPACT COMPOSITE/WOOD FRAME  
INSTALLATION DETAILS

DRAWN: V.L.	DWG NO. 08-02400	REV A
SCALE NTS	DATE 07/21/14	SHEET 5 OF 10

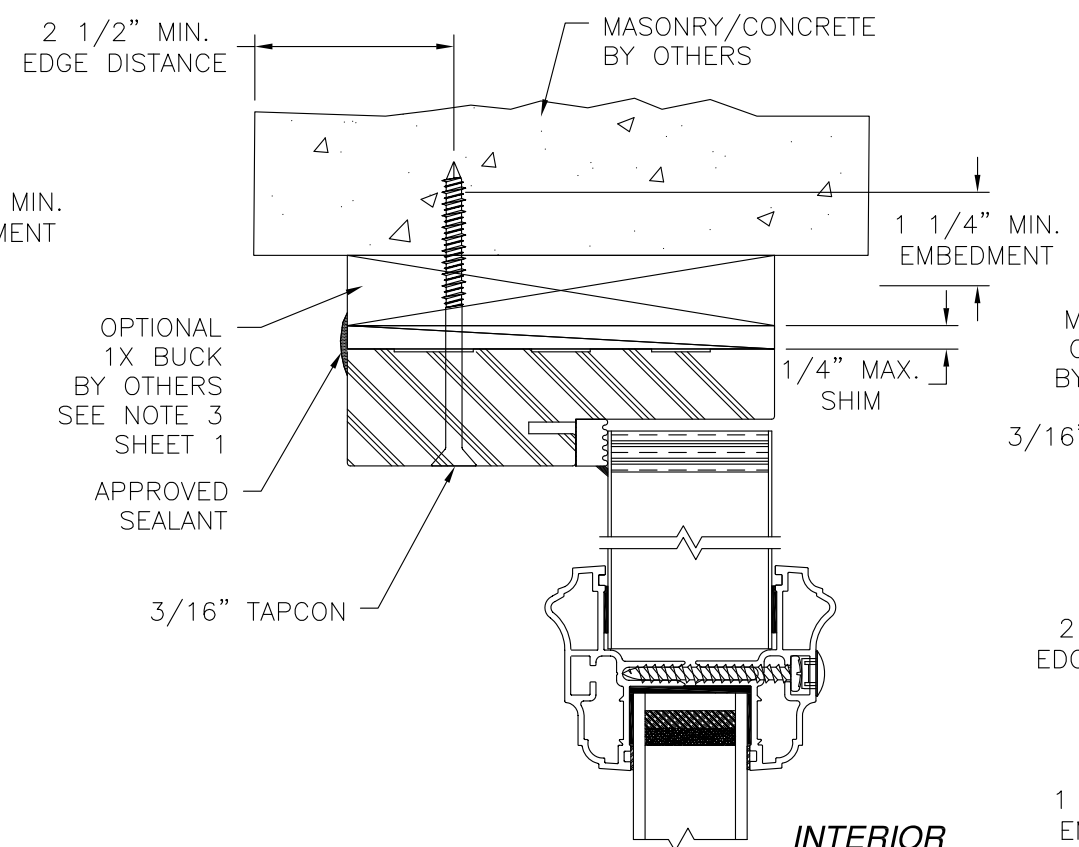
Luis R. Lomas P.E.  
TX No.: 101889



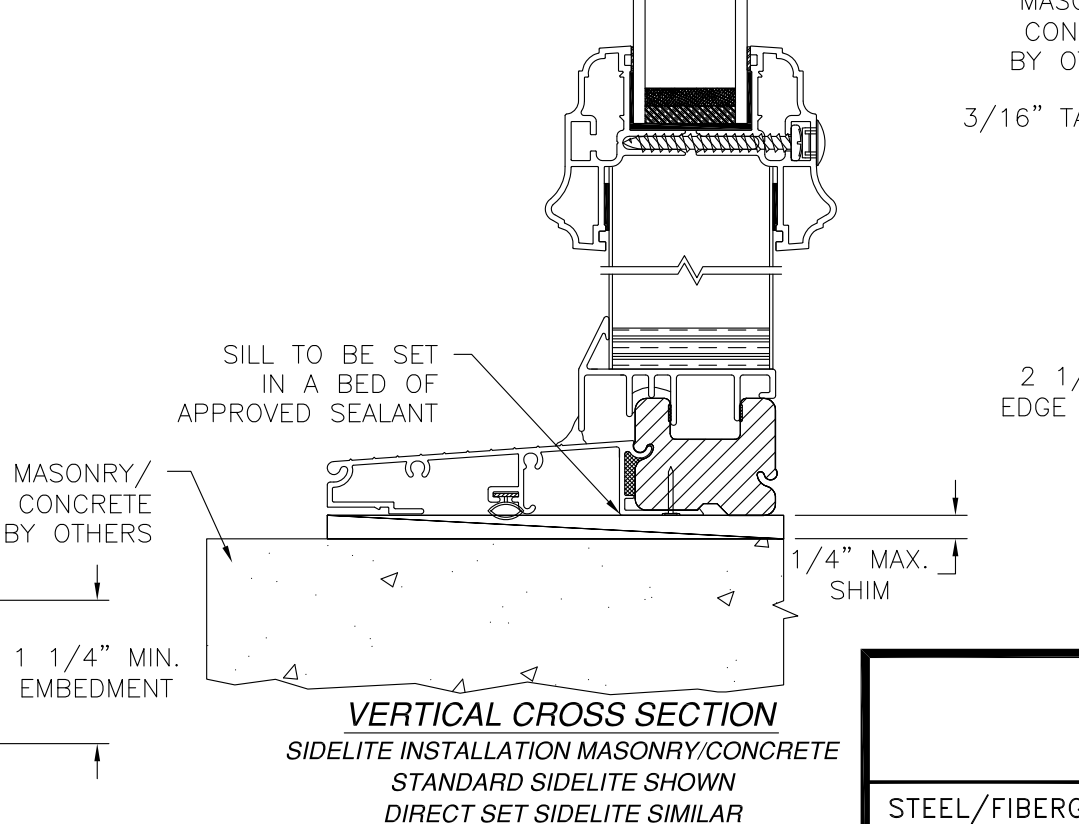
EXTERIOR INTERIOR



VERTICAL CROSS SECTION DOOR INSTALLATION MASONRY/CONCRETE



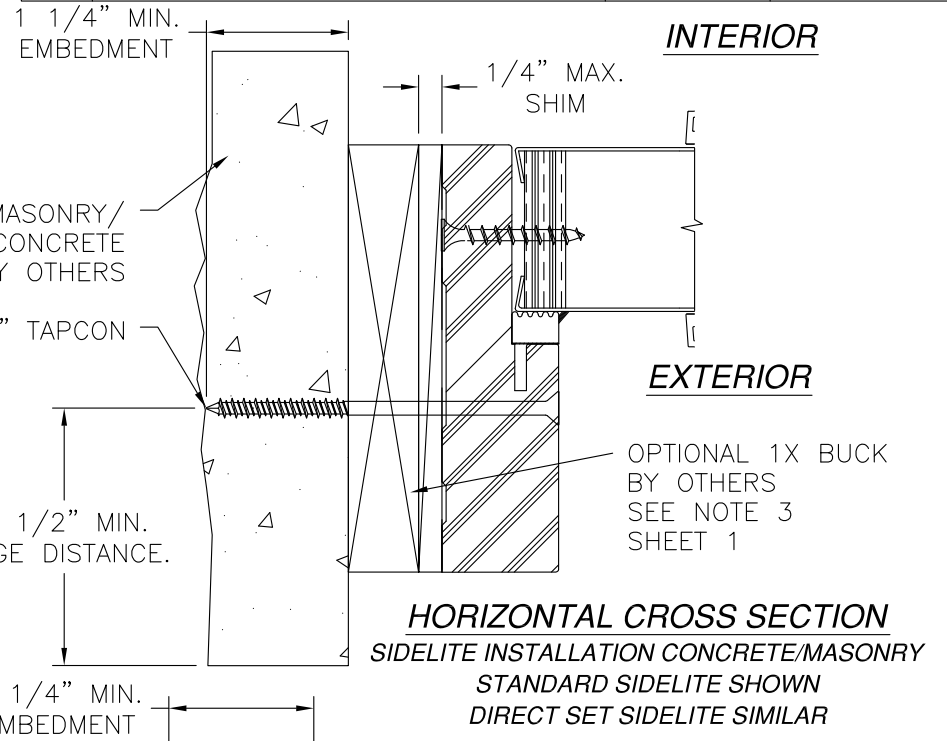
EXTERIOR INTERIOR



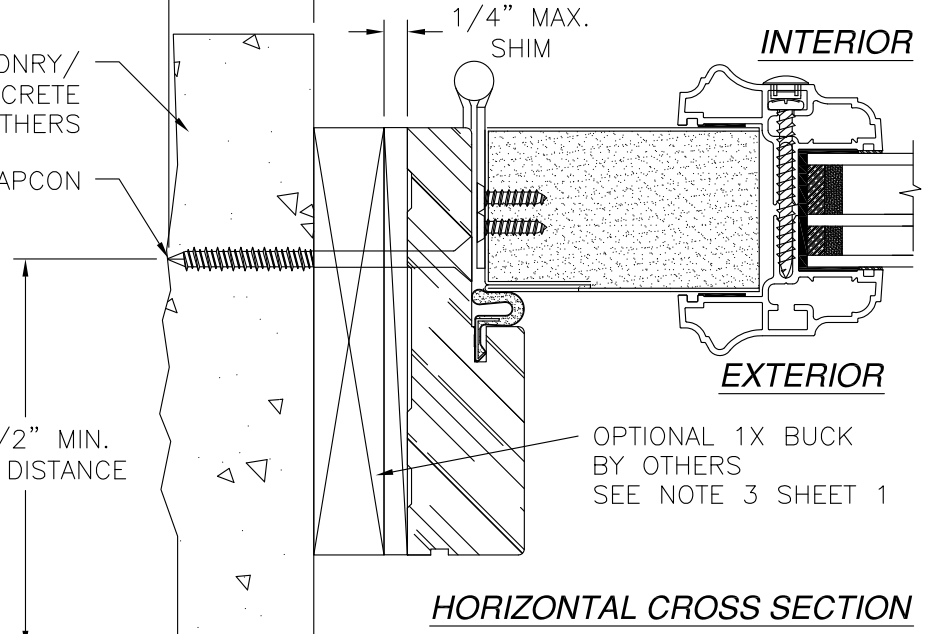
VERTICAL CROSS SECTION SIDELITE INSTALLATION MASONRY/CONCRETE STANDARD SIDELITE SHOWN DIRECT SET SIDELITE SIMILAR

NOTES:  
 1. INTERIOR AND EXTERIOR FINISHES, BY OTHERS, NOT SHOWN FOR CLARITY.  
 2. PERIMETER AND JOINT SEALANT BY OTHERS TO BE DESIGNED IN ACCORDANCE WITH ASTM E2112

REVISIONS			
REV	DESCRIPTION	DATE	APPROVED
A	ADDED STRIKE AND GLASS DETAILS	01/06/16	R.L.



HORIZONTAL CROSS SECTION SIDELITE INSTALLATION CONCRETE/MASONRY STANDARD SIDELITE SHOWN DIRECT SET SIDELITE SIMILAR



HORIZONTAL CROSS SECTION DOOR INSTALLATION CONCRETE/MASONRY

SIGNED: 01/07/2016

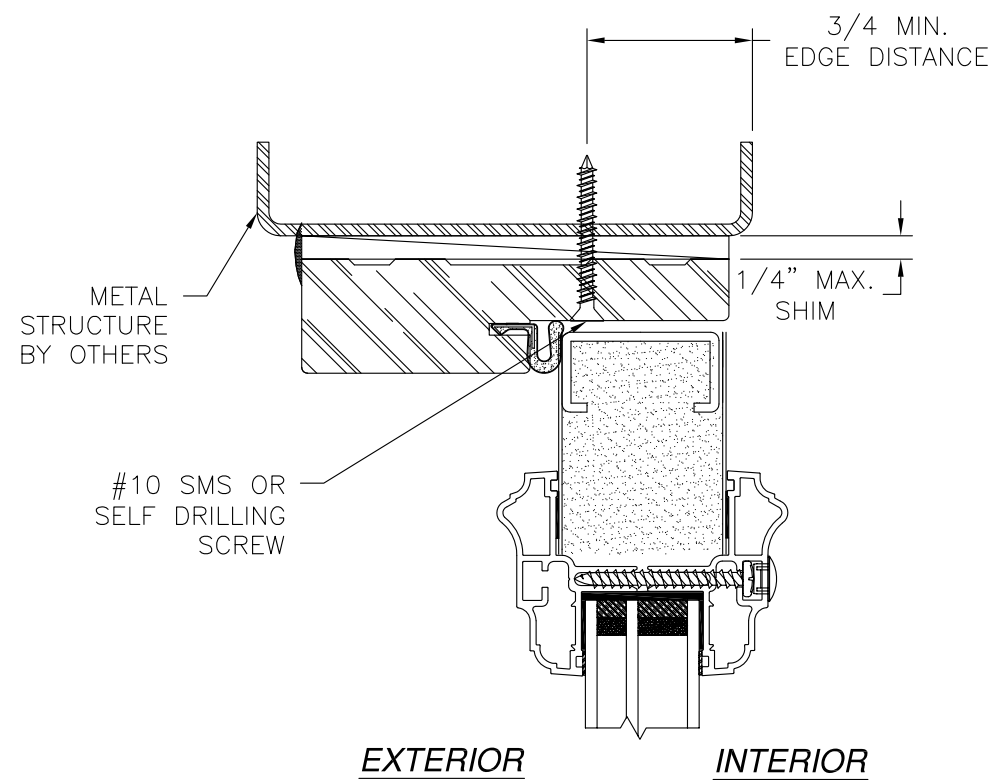
PROVIA DOOR, INC.  
 2150 STATE ROUTE 39  
 SUGARCREEK, OH 44681

STEEL/FIBERGLASS INSWING GLAZED DOUBLE DOOR W/SIDELITES NON-IMPACT COMPOSITE/WOOD FRAME INSTALLATION DETAILS

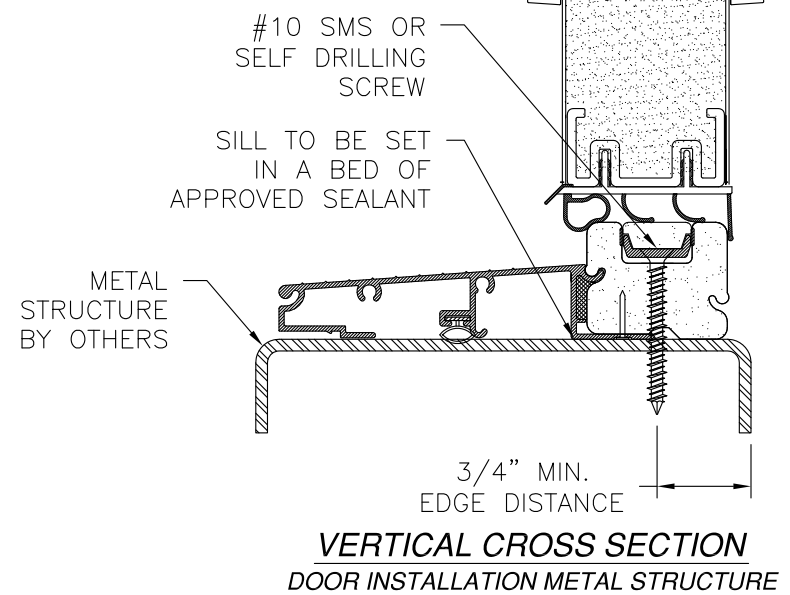
DRAWN: V.L.	DWG NO. 08-02400	REV A
SCALE NTS	DATE 07/21/14	SHEET 6 OF 10

Luis R. Lomas P.E.  
 TX No.: 101889

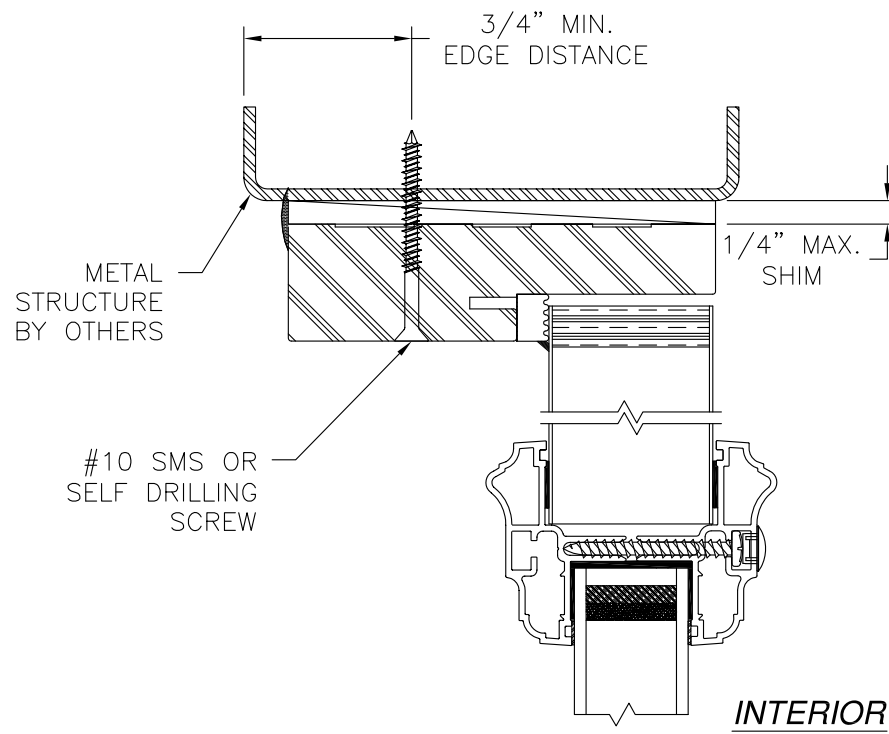
REVISIONS			
REV	DESCRIPTION	DATE	APPROVED
A	ADDED STRIKE AND GLASS DETAILS	01/06/16	R.L.



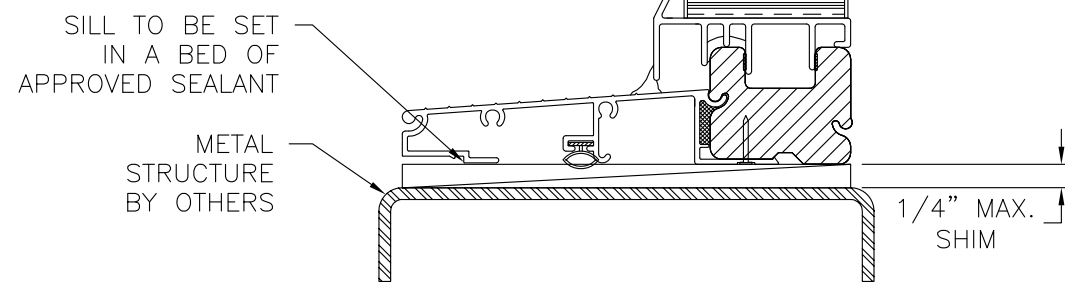
**VERTICAL CROSS SECTION**  
DOOR INSTALLATION METAL STRUCTURE



**VERTICAL CROSS SECTION**  
DOOR INSTALLATION METAL STRUCTURE

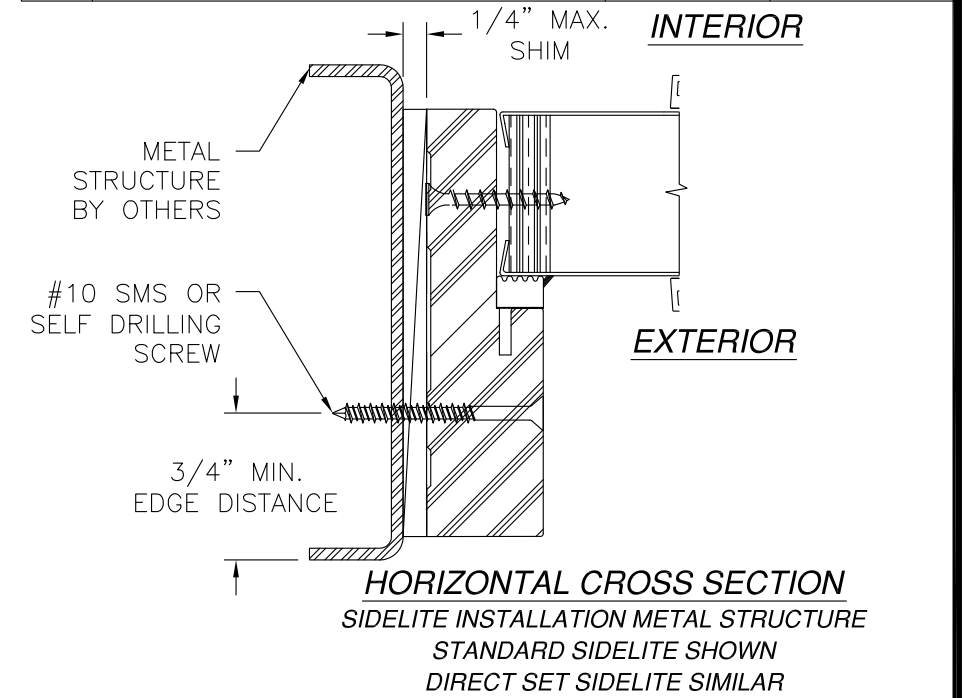


**VERTICAL CROSS SECTION**  
SIDELITE INSTALLATION METAL STRUCTURE  
STANDARD SIDELITE SHOWN  
DIRECT SET SIDELITE SIMILAR

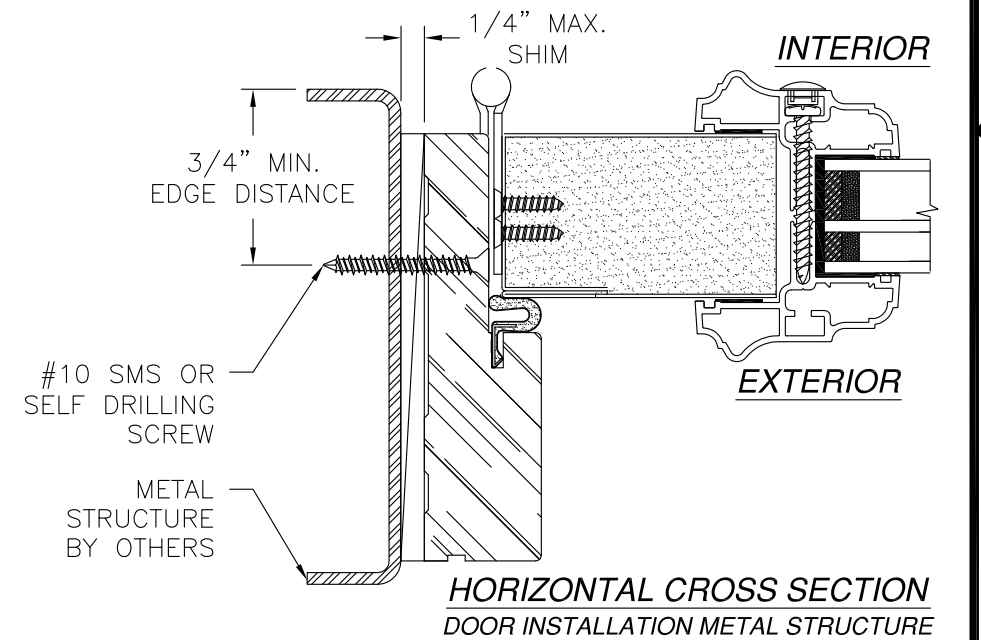


**VERTICAL CROSS SECTION**  
SIDELITE INSTALLATION METAL STRUCTURE  
STANDARD SIDELITE SHOWN  
DIRECT SET SIDELITE SIMILAR

**NOTES:**  
1. INTERIOR AND EXTERIOR FINISHES, BY OTHERS, NOT SHOWN FOR CLARITY.  
2. PERIMETER AND JOINT SEALANT BY OTHERS TO BE DESIGNED IN ACCORDANCE WITH ASTM E2112



**HORIZONTAL CROSS SECTION**  
SIDELITE INSTALLATION METAL STRUCTURE  
STANDARD SIDELITE SHOWN  
DIRECT SET SIDELITE SIMILAR



**HORIZONTAL CROSS SECTION**  
DOOR INSTALLATION METAL STRUCTURE

SIGNED: 01/07/2016

PROVIA DOOR, INC.  
2150 STATE ROUTE 39  
SUGARCREEK, OH 44681

STEEL/FIBERGLASS INSWING GLAZED DOUBLE DOOR  
W/SIDELITES NON-IMPACT COMPOSITE/WOOD FRAME  
INSTALLATION DETAILS

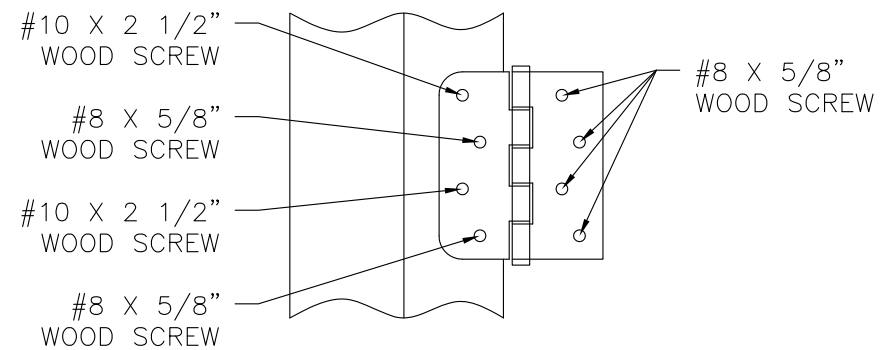
DRAWN: V.L.	DWG NO. 08-02400	REV A
SCALE NTS	DATE 07/21/14	SHEET 7 OF 10



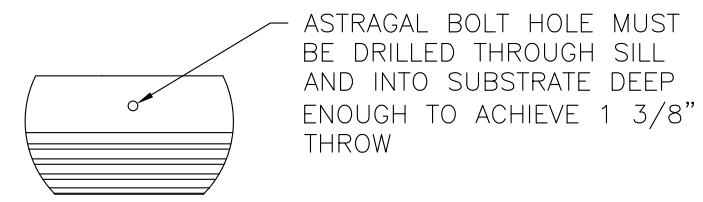
Luis R. Lomas P.E.  
TX No.: 101889

REVISIONS

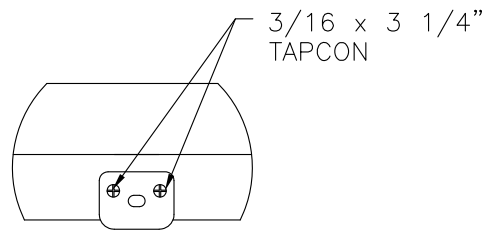
REV	DESCRIPTION	DATE	APPROVED
A	ADDED STRIKE AND GLASS DETAILS	01/06/16	R.L.



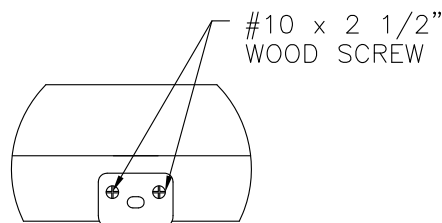
**HINGE INSTALLATION DETAIL**  
2X BUCK/WOOD FRAMING



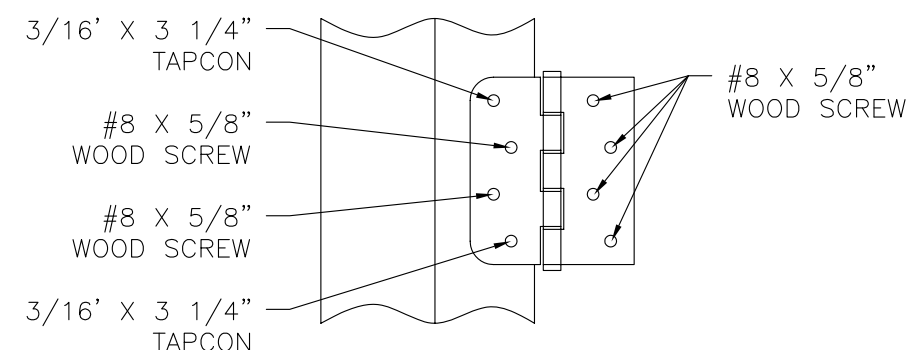
**ASTRAGAL SILL DETAIL**



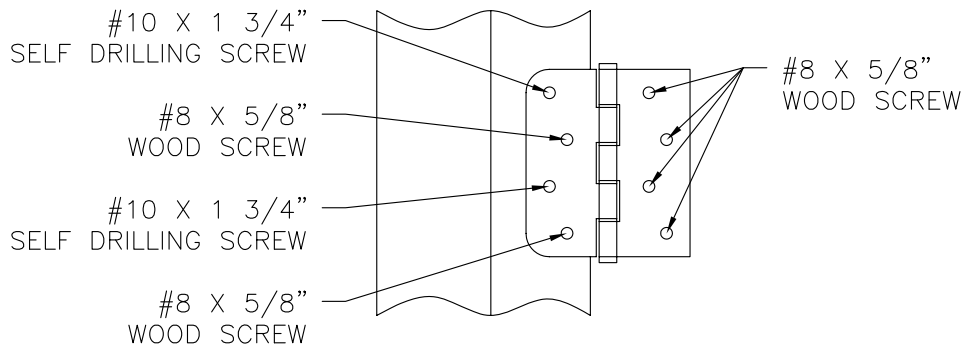
**ASTRAGAL HEAD STRIKE DETAIL**  
MASONRY/CONCRETE



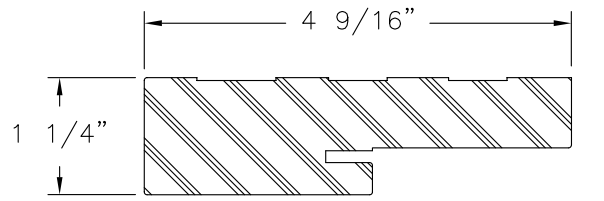
**ASTRAGAL HEAD STRIKE DETAIL**  
2X BUCK/WOOD FRAMING



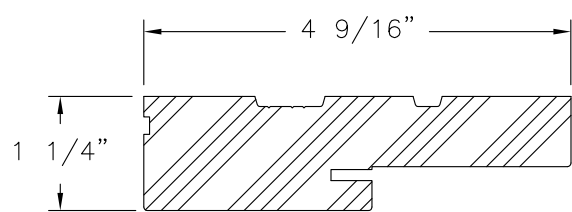
**HINGE INSTALLATION DETAIL**  
MASONRY/CONCRETE



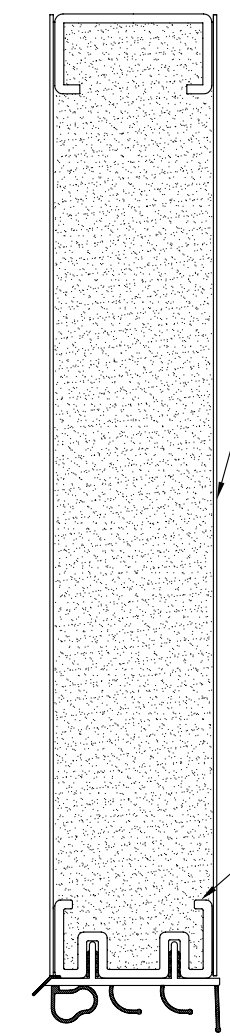
**HINGE INSTALLATION DETAIL**  
METAL STRUCTURE



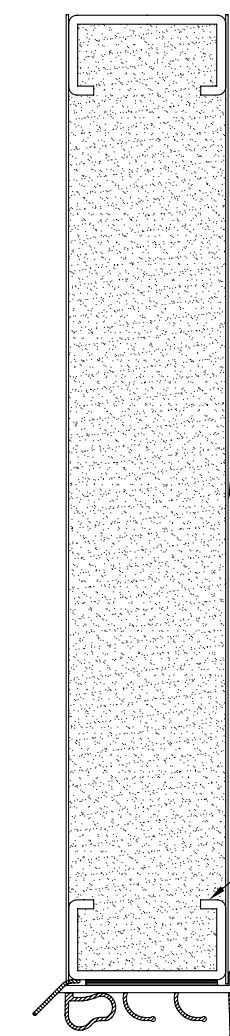
**COMPOSITE FRAME PROFILE**



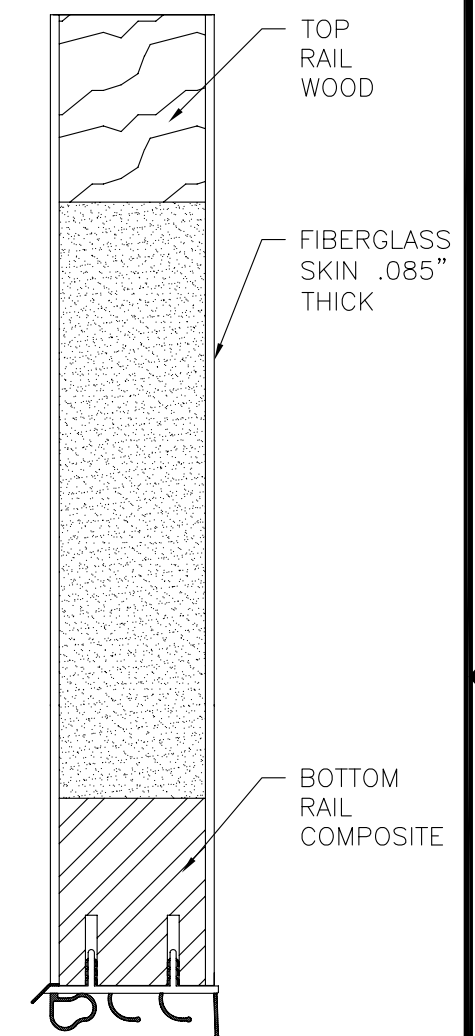
**WOOD FRAME PROFILE**



**20GA STEEL**

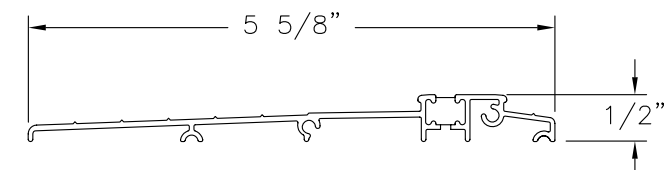


**20GA STEEL**

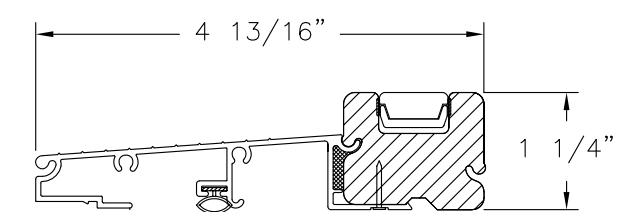


**FIBERGLASS**

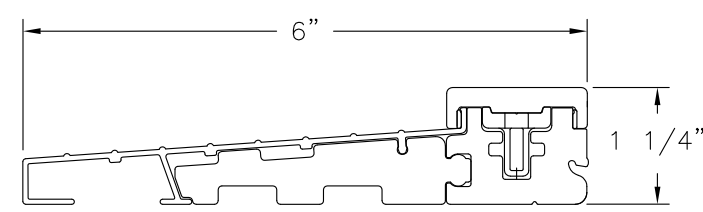
**APPROVED SLABS**



**ADA THRESHOLD**



**SAHARA INSWING THRESHOLD**



**STANDARD INSWING THRESHOLD**

SIGNED: 01/07/2016

PROVIA DOOR, INC.  
2150 STATE ROUTE 39  
SUGARCREEK, OH 44681

STEEL/FIBERGLASS INSWING GLAZED DOUBLE DOOR  
W/SIDELITES NON-IMPACT COMPOSITE/WOOD FRAME  
INSTALLATION DETAILS

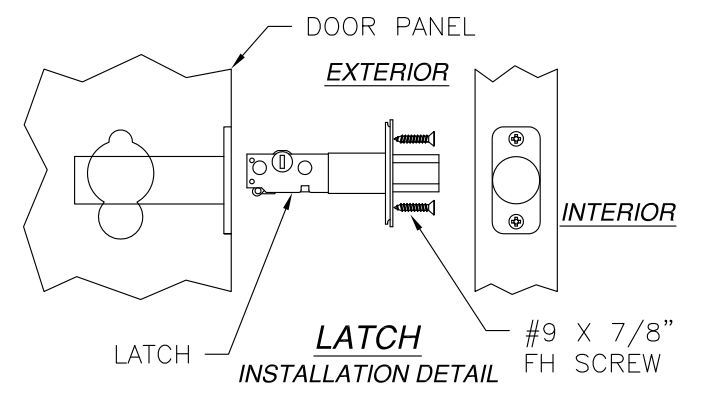
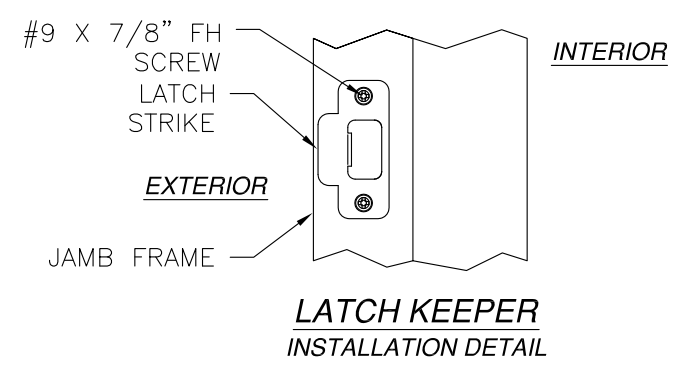
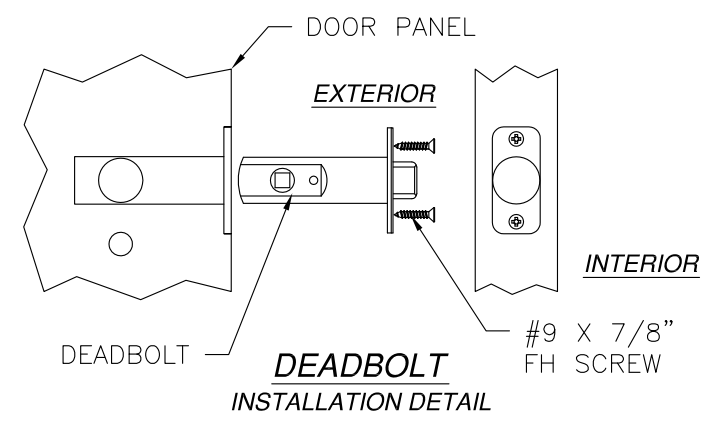
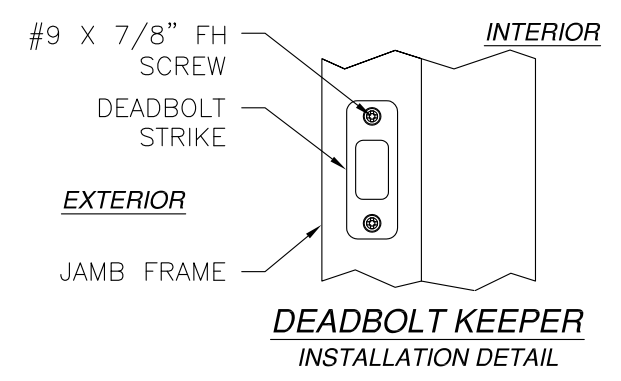
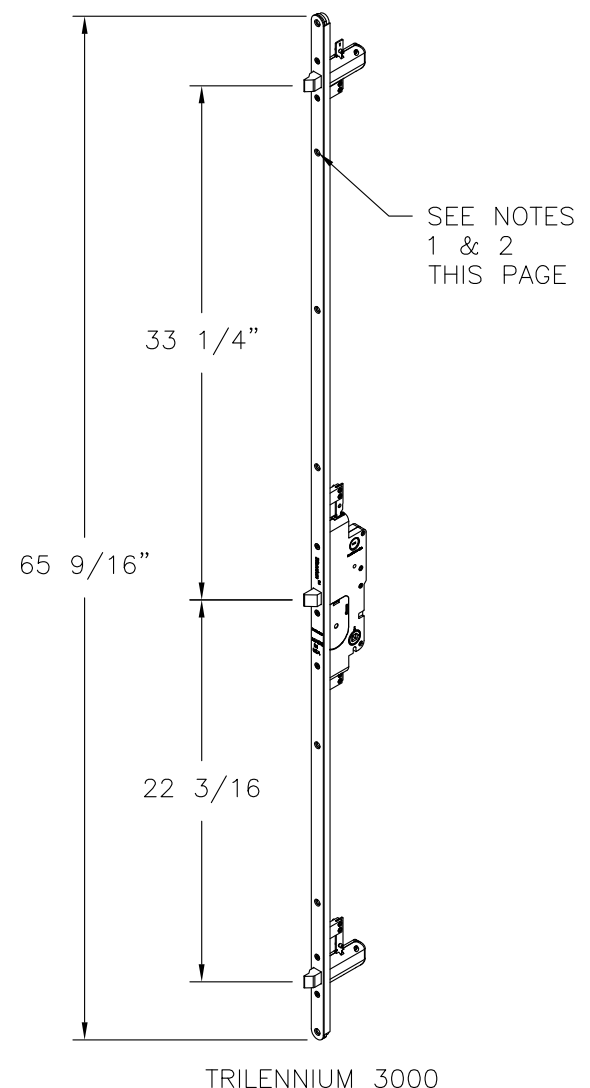
DRAWN: V.L.	DWG NO. 08-02400	REV A
SCALE NTS	DATE 07/21/14	SHEET 8 OF 10



Luis R. Lomas P.E.  
TX No.: 101889



REVISIONS			
REV	DESCRIPTION	DATE	APPROVED
A	ADDED STRIKE AND GLASS DETAILS	01/06/16	R.L.



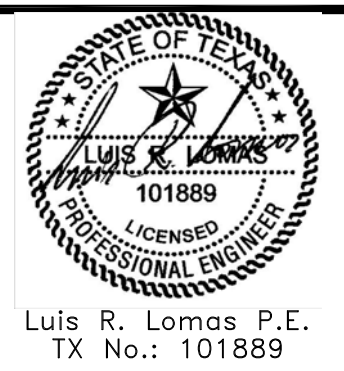
- NOTES:
- MULTIPOINT LOCK TO BE ATTACHED TO DOOR STILE USING (7) #10 X 1" FH WOOD SCREWS LOCATED IN PRE-DRILLED HOLES.
  - MULTIPOINT LOCK STRIKE PLATES TO BE ATTACHED TO JAMBS OR DOOR PANELS USING (2) #10 X 1" FH WOOD SCREWS & (1) #10 X 2 1/2" FH WOOD SCREW AT EACH LOCK LOCATION.

PROVIA DOOR, INC.  
2150 STATE ROUTE 39  
SUGARCREEK, OH 44681

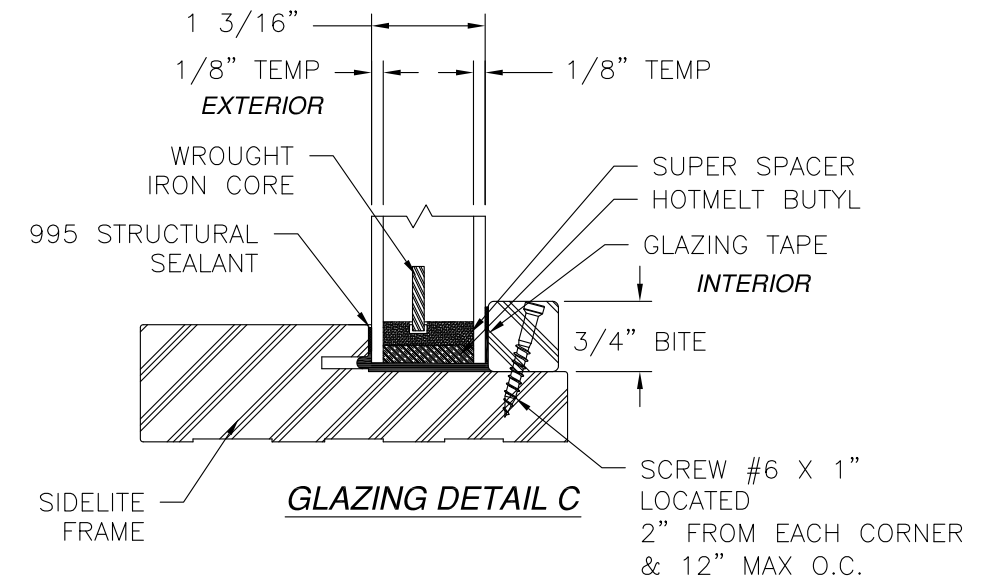
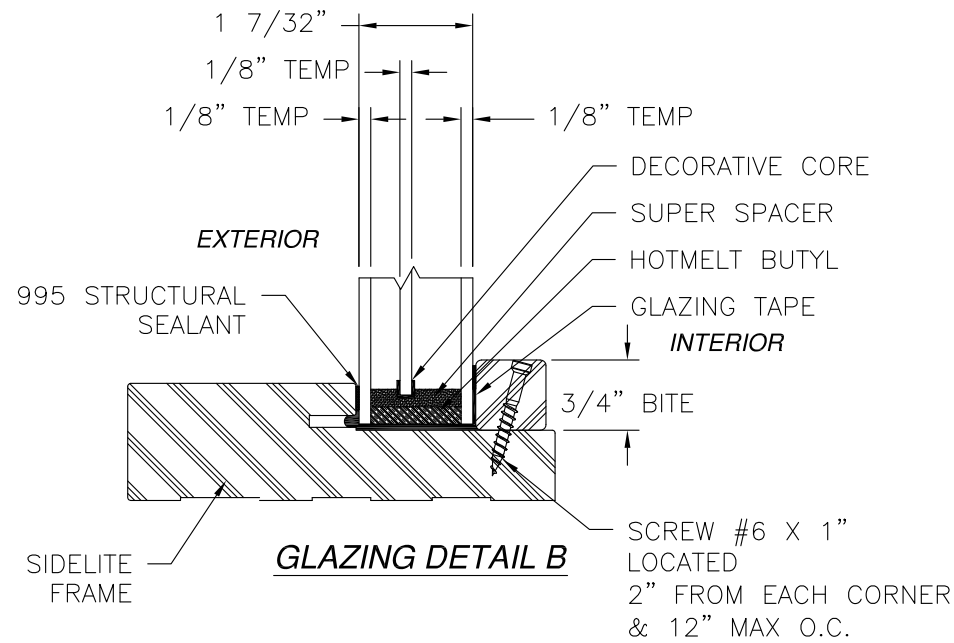
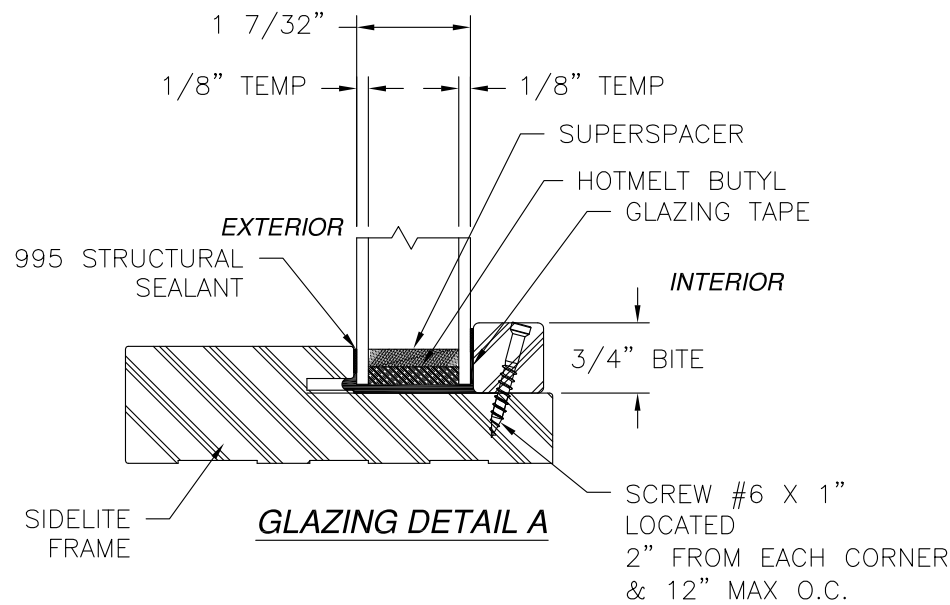
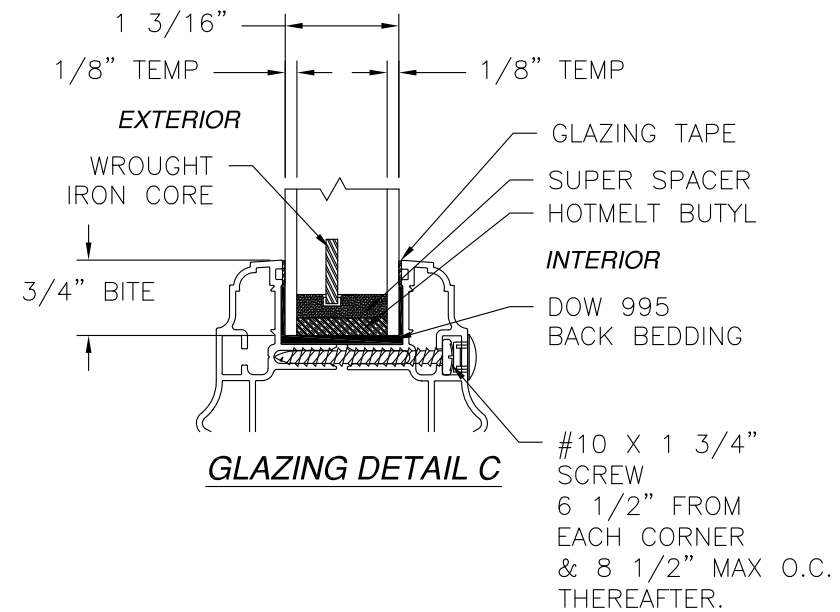
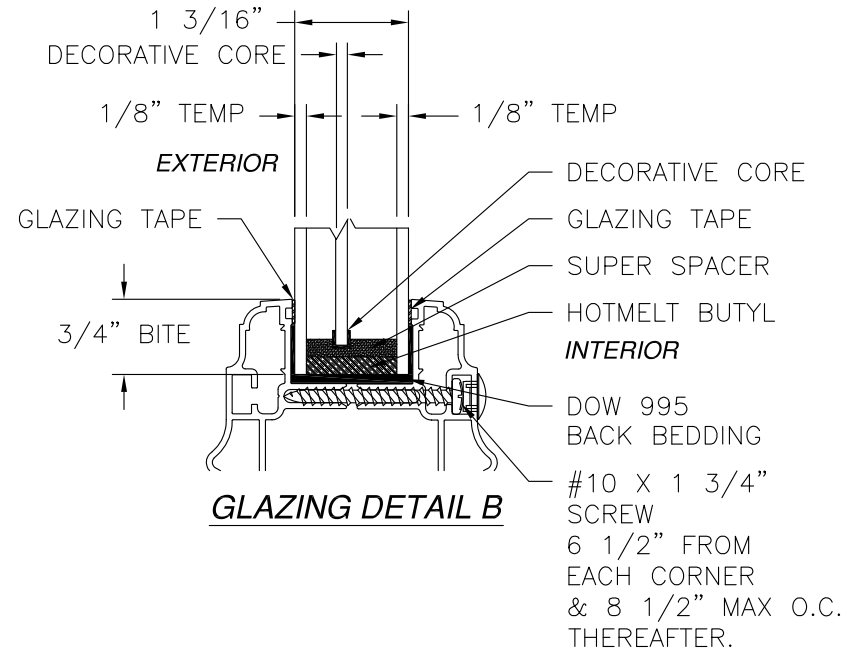
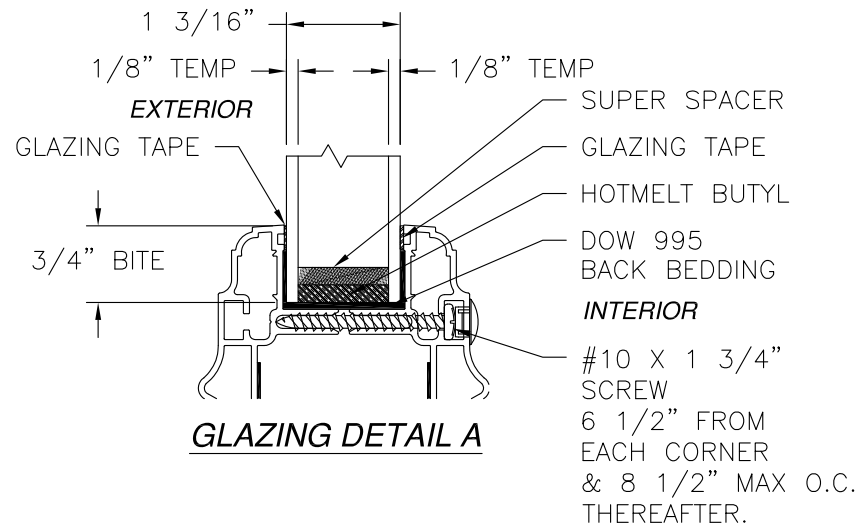
STEEL/FIBERGLASS INSWING GLAZED DOUBLE DOOR  
W/SIDELITES NON-IMPACT COMPOSITE/WOOD FRAME  
INSTALLATION DETAILS

DRAWN: V.L.	DWG NO. 08-02400	REV A
SCALE NTS	DATE 07/21/14	SHEET 9 OF 10

SIGNED: 01/07/2016



REVISIONS			
REV	DESCRIPTION	DATE	APPROVED
A	ADDED STRIKE AND GLASS DETAILS	01/06/16	R.L.



SIGNED: 01/07/2016

PROVIA DOOR, INC.  
2150 STATE ROUTE 39  
SUGARCREEK, OH 44681

STEEL/FIBERGLASS INSWING GLAZED DOUBLE DOOR  
W/SIDELITES NON-IMPACT COMPOSITE/WOOD FRAME  
INSTALLATION DETAILS

DRAWN: V.L.	DWG NO. 08-02400	REV A
SCALE NTS	DATE 07/21/14	SHEET 10 OF 10



Luis R. Lomas P.E.  
TX No.: 101889