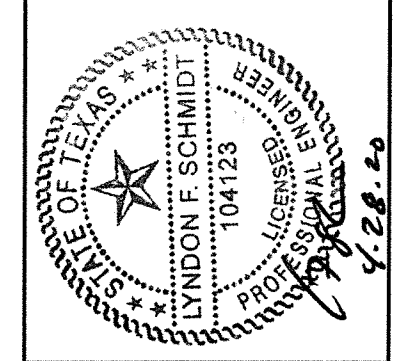


THERMA-TRU® DOORS

Fiber-Classic® & Smooth-Star®

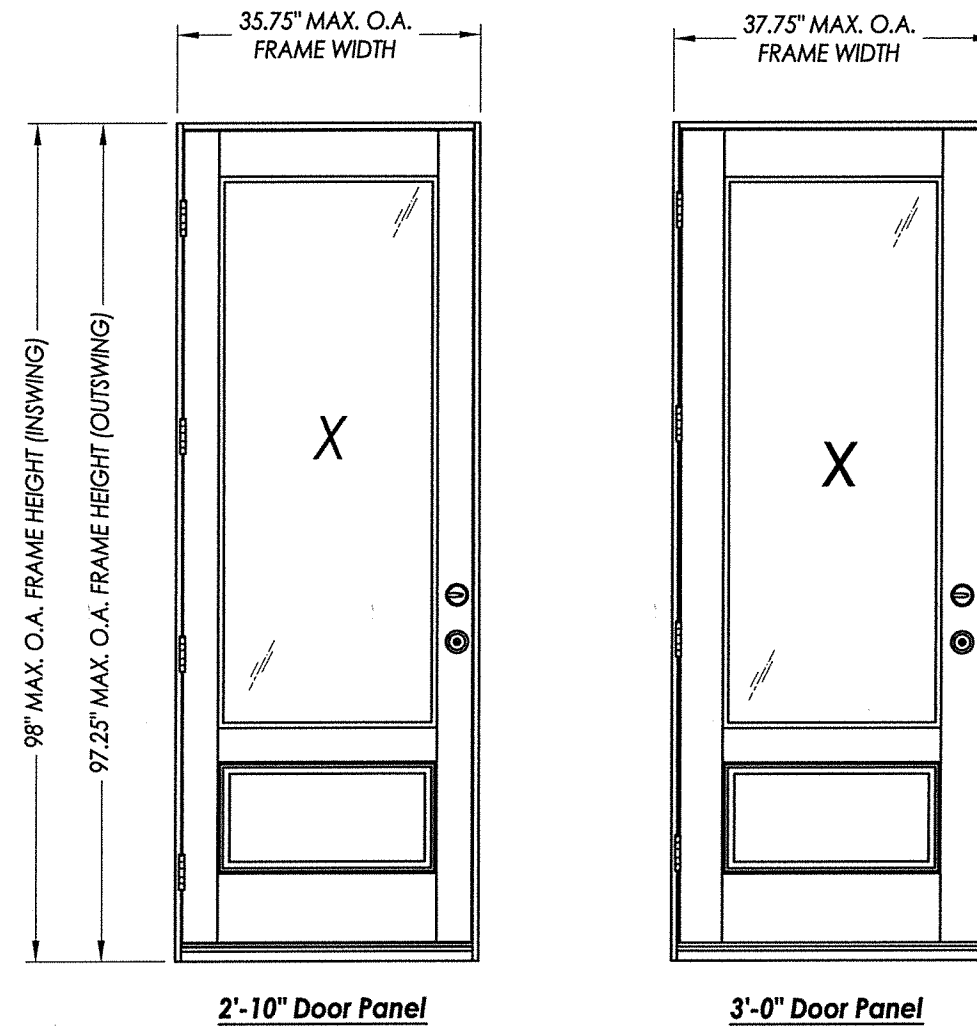


Documents Prepared By: Lyndon F. Schmidt, P.E.
TEXAS P.E. #104123

RW BUILDING CONSULTANTS, INC.
P.O. Box 230 Valrico FL 33595
Phone No.: 813.659.9197

TEXAS BOARD OF PROFESSIONAL ENGINEERS
CERTIFICATE OF REGISTRATION # F-11852

FLUSH GLAZED FIBERGLASS DOOR IN SWING / OUT SWING "NON-IMPACT"



DOOR PANEL WIDTH	MAX FRAME DIMENSION	DESIGN PRESSURE (PSF) INSWING		DESIGN PRESSURE (PSF) OUTSWING	
		POSITIVE	NEGATIVE	POSITIVE	NEGATIVE
2'-10"	35.75" X 98.0"	+55.0	-60.0	+35.0	-35.0
3'-0"	37.75" X 98.0"	+45.0	-60.0	+35.0	-35.0

EVALUATED FOR USE IN THE STATE OF TEXAS

The Fiberglass Door system described herein complies with the 2018 International Residential Code (IRC), Sections R301 & R609 and the 2018 International Building Code (IBC), Sections 1404.13, 1609, 1709.5, 2403 and 2404 subject to the following conditions:

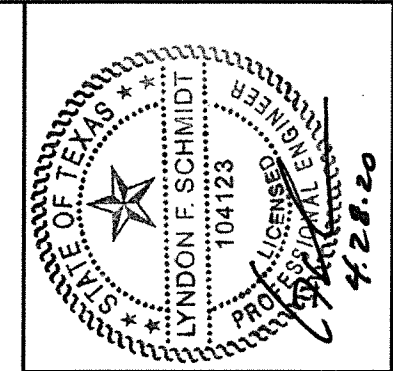
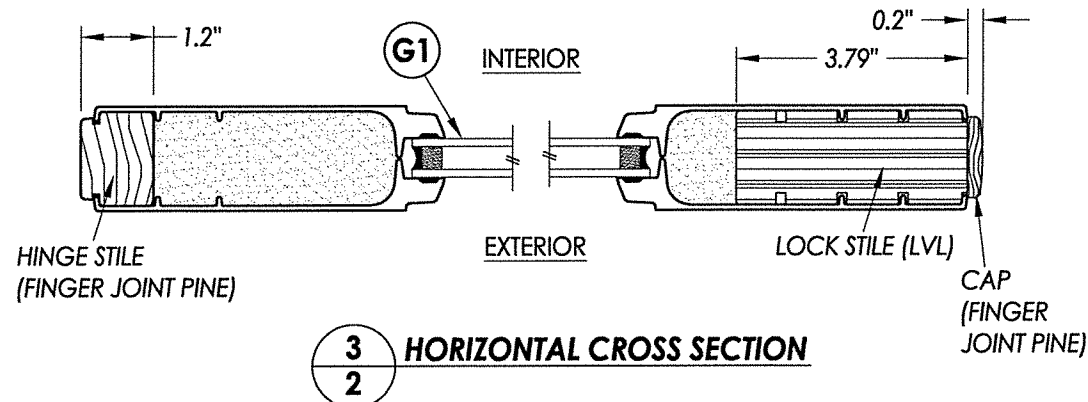
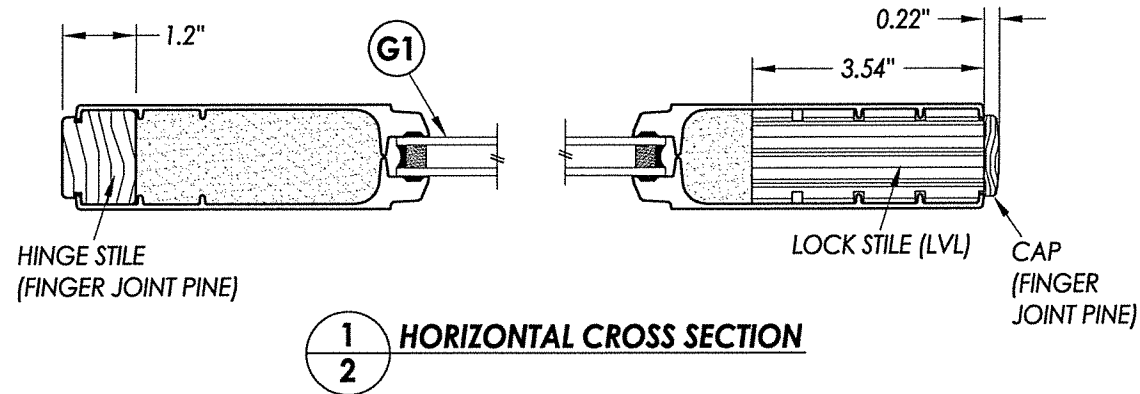
1. Anchors shall be as listed and spaced as shown in the details. Anchor embedment to base material shall be beyond wall dressing or stucco.
2. When used in areas requiring wind-borne debris protection, this system is required to be protected with an impact resistant covering that complies with Section R301.2.1.2 of the IRC and Section 1609.2 of the IBC.
3. Allowable design pressure requirements must be equal to or less than the design pressure rating shown in the design pressure chart, sheet 1 of this drawing.
4. Conditions not covered by this drawing are subject to further engineering analysis.

TABLE OF CONTENTS

SHEET #	DESCRIPTION
1	Table of contents, design pressure and general notes
2	Door panel details & glazing detail
3	Horizontal cross sections
4	Vertical cross sections
5	Frame anchoring & hardware details
6	Bill of materials and components

PRODUCT:	THERMA-TRU FLUSH GLAZED DOOR
PART OR ASSEMBLY:	TYPICAL ELEVATION, DESIGN PRESSURES & GENERAL NOTES
NO.	1
DATE	4/28/20
UPDATE TO	2018 IBC/IRC CODE
BY	LFS
REVISIONS	
DATE:	7/28/15
SCALE:	N.T.S.
DWG. BY:	JK
CHK. BY:	LFS
DRAWING NO.:	TX-4557
SHEET	1 OF 6

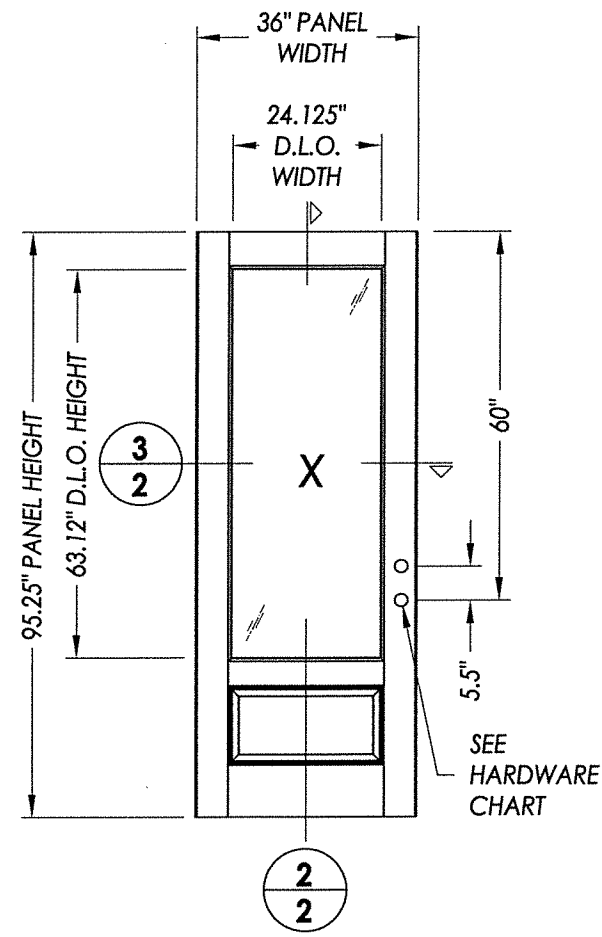
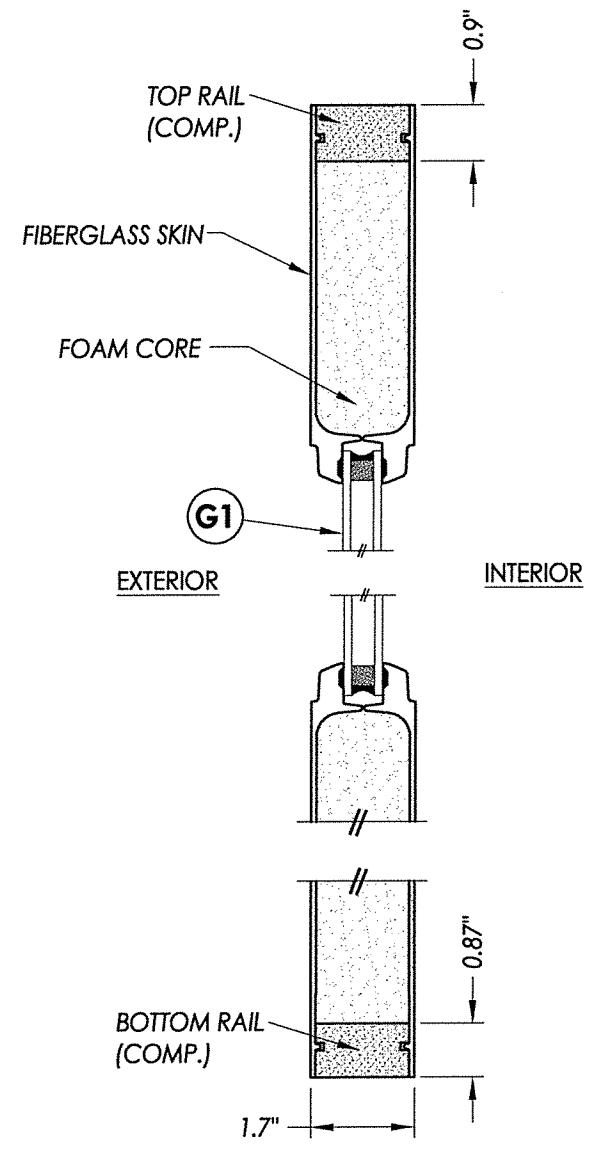
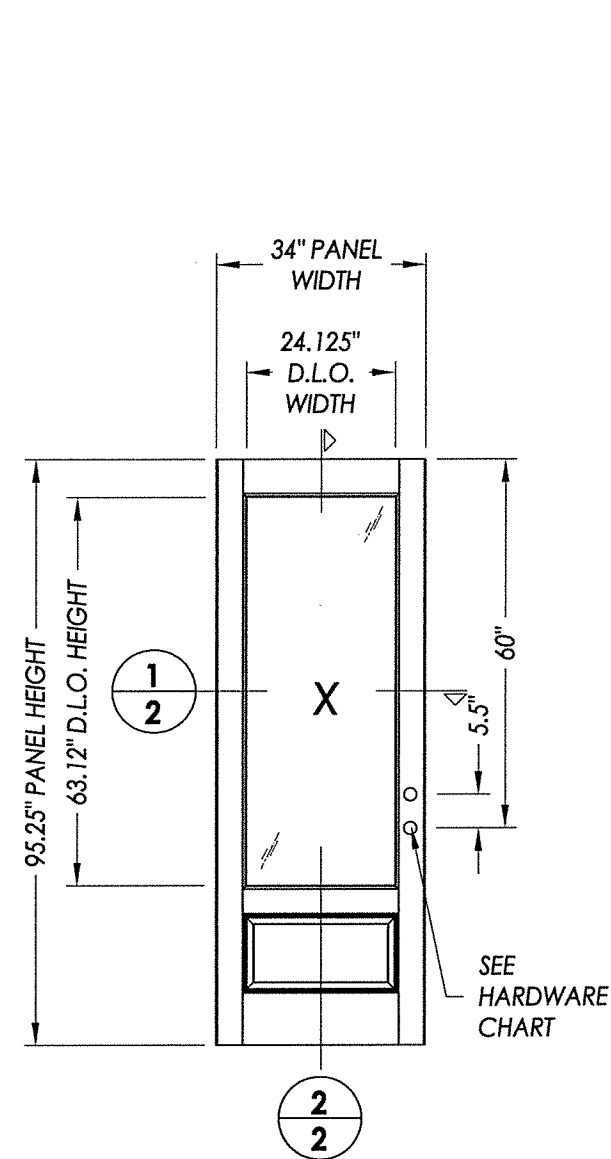
R:\Clients\Therma Tru PERMANENT\B - Texas Dept of Ins\TDI - DR 763 - 80 Flush Glazed Classic Craft Door Panels\C - Drawings\TX-4557-59.dwg, 2.1



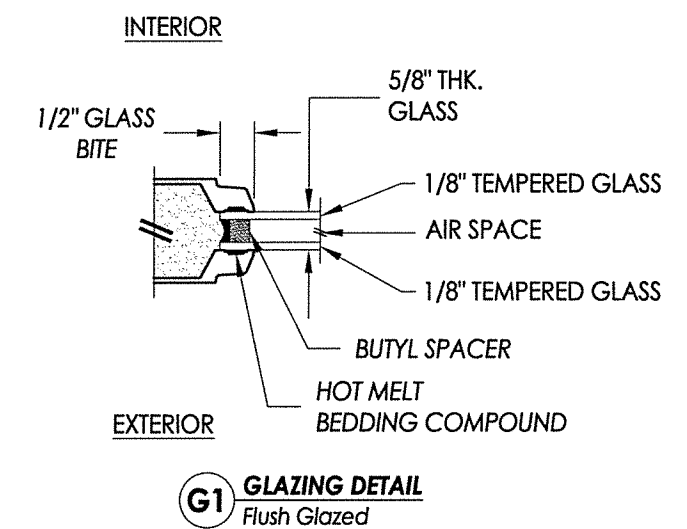
Documents Prepared By: Lyndon F. Schmidt, P.E.
TEXAS P.E. #104123

RW BUILDING CONSULTANTS, INC.
P.O. Box 230 Valrico FL 33595
Phone No.: 813.659.9197

TEXAS BOARD OF PROFESSIONAL ENGINEERS
CERTIFICATE OF REGISTRATION # F-11852

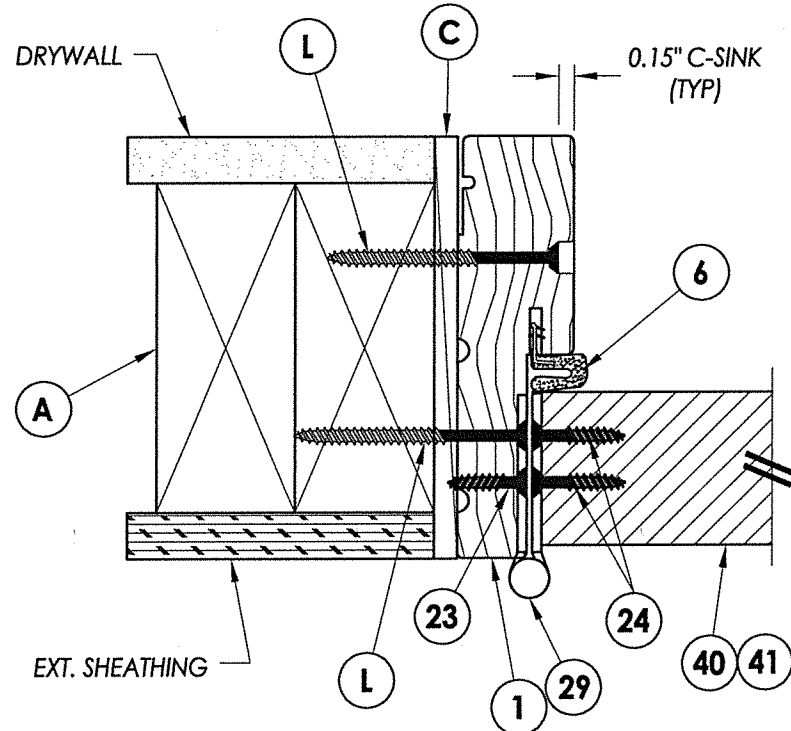
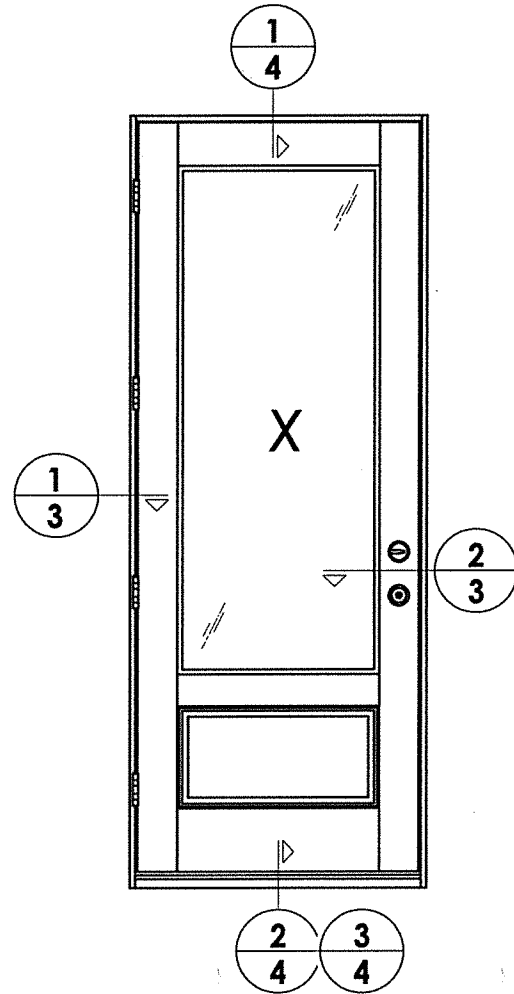


50 **3'-0" DOOR PANEL**
Fiber-Classic or Smooth-Star
3/4 Lite (Flush Glazed)
FIBERGLASS SKIN: 0.077" THICKNESS
FOAM CORE: POLYURETHANE

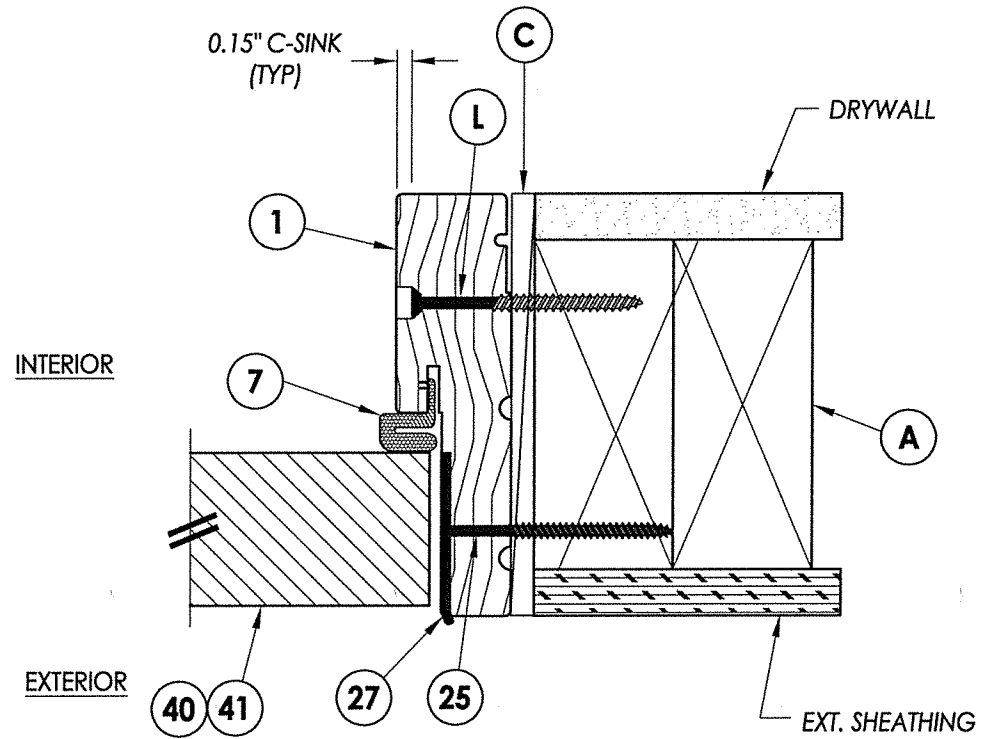


HARDWARE TABLE		MAX DESIGN PRESSURE (PSF)	
MANUFACTURER	MODEL	POS.	NEG.
WESLOCK	Knob: 600 SERIES	+55.0	-60.0
	Deadbolt: 671		
PAMEX	Knob: FTF630	+45.0	-60.0
	Deadbolt: FD761		

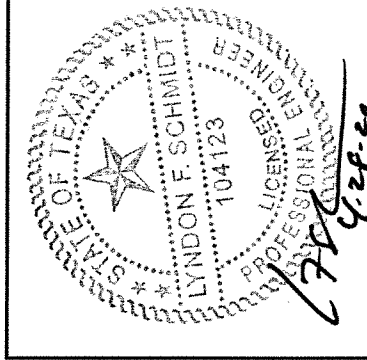
PRODUCT:	THERMA-TRU FLUSH GLAZED DOOR
PART OR ASSEMBLY:	DOOR PANEL DETAILS & GLAZING DETAIL
NO.	1
DATE	4/28/20
UPDATE TO	2018 IBC/IRC CODE
LFS	BY
REVISIONS	
DATE:	7/28/15
SCALE:	N.T.S.
DWG. BY:	JK
CHK. BY:	LFS
DRAWING NO.:	TX-4557
SHEET	2 OF 6



1 HORIZONTAL CROSS SECTION
3 Outswing Shown (Inswing similar)



2 HORIZONTAL CROSS SECTION
3 Outswing Shown (Inswing similar)



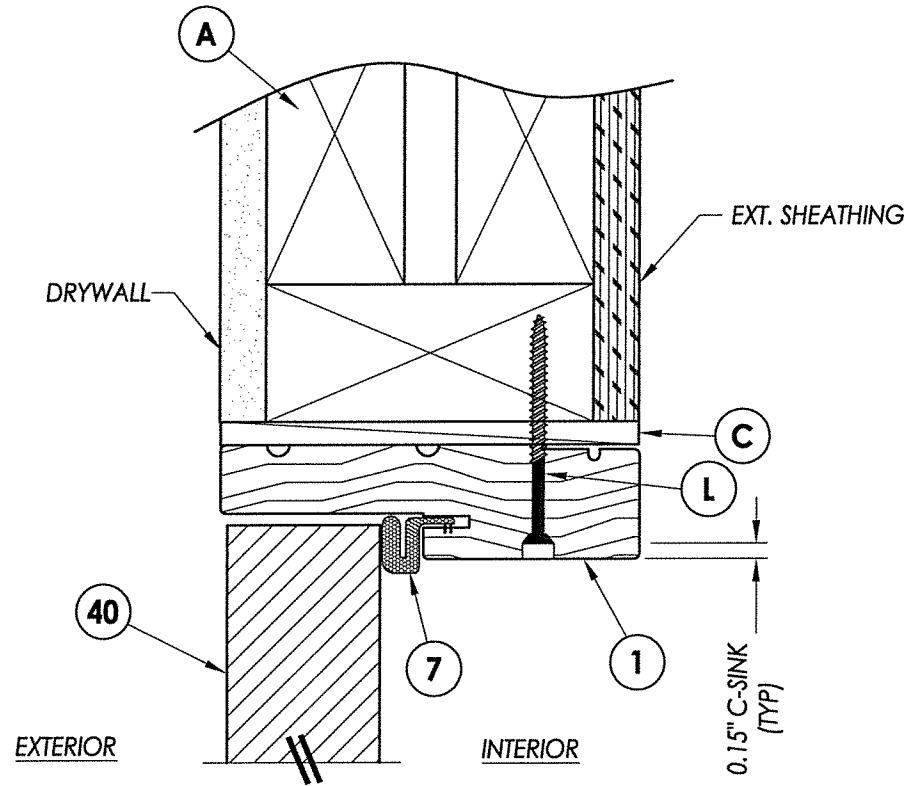
Documents Prepared By: Lyndon F. Schmidt, P.E.
 TEXAS P.E. #104123

RW BUILDING CONSULTANTS, INC.
 P.O. Box 230 Valrico FL 33595
 Phone No.: 813.659.9197
 TEXAS BOARD OF PROFESSIONAL ENGINEERS
 CERTIFICATE OF REGISTRATION # F-11852

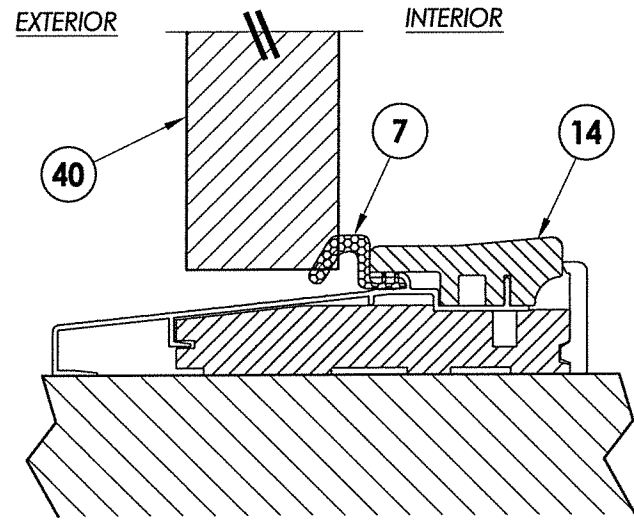
PRODUCT: THERMA-TRU
 FLUSH GLAZED DOOR
 PART OR ASSEMBLY:
 HORIZONTAL
 CROSS SECTIONS

NO.	DATE	DESCRIPTION	BY
1	4/28/20	UPDATE TO 2018 IBC/IRC CODE	LFS

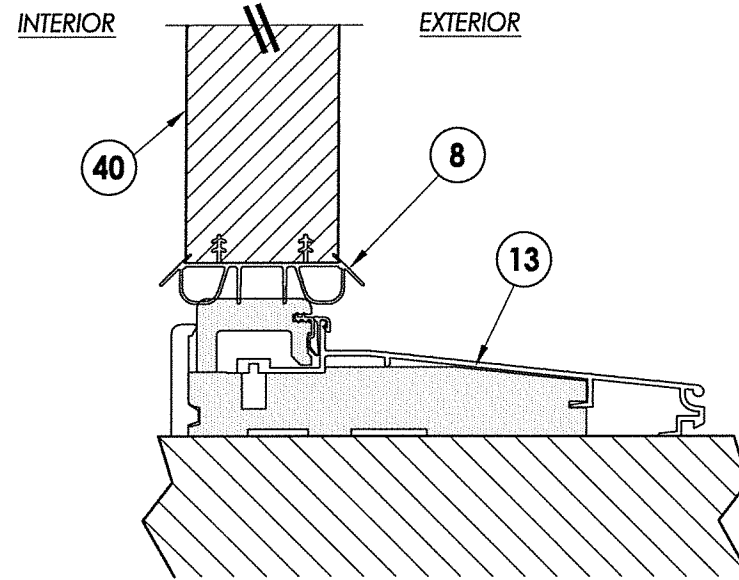
DATE: 7/28/15
 SCALE: N.T.S.
 DWG. BY: JK
 CHK. BY: LFS
 DRAWING NO.: TX-4557
 SHEET 3 OF 6



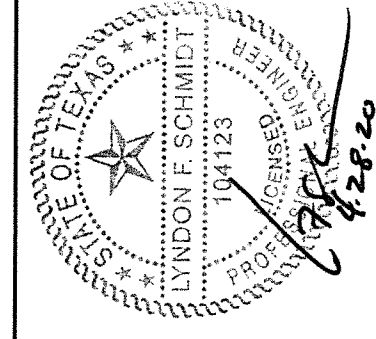
1 VERTICAL CROSS SECTION
4 Outswing Shown (Inswing similar)



2 VERTICAL CROSS SECTION
4 Outswing Sill



3 VERTICAL CROSS SECTION
4 Inswing Sill



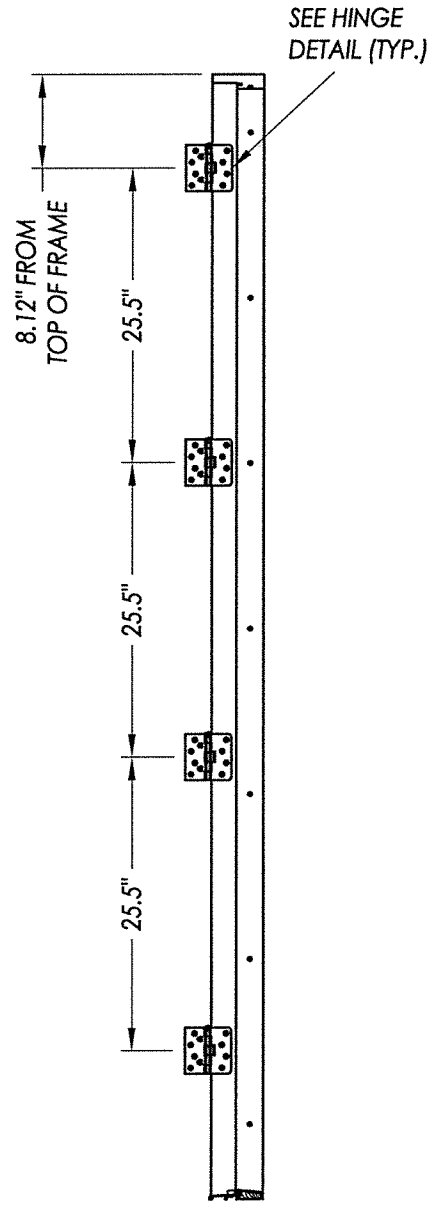
Documents Prepared By: Lyndon F. Schmidt, P.E.
 TEXAS P.E. #104123

RW BUILDING CONSULTANTS, INC.
 P.O. Box 230 Valrico FL 33595
 Phone No.: 813.659.9197
 TEXAS BOARD OF PROFESSIONAL ENGINEERS
 CERTIFICATE OF REGISTRATION # F-11852

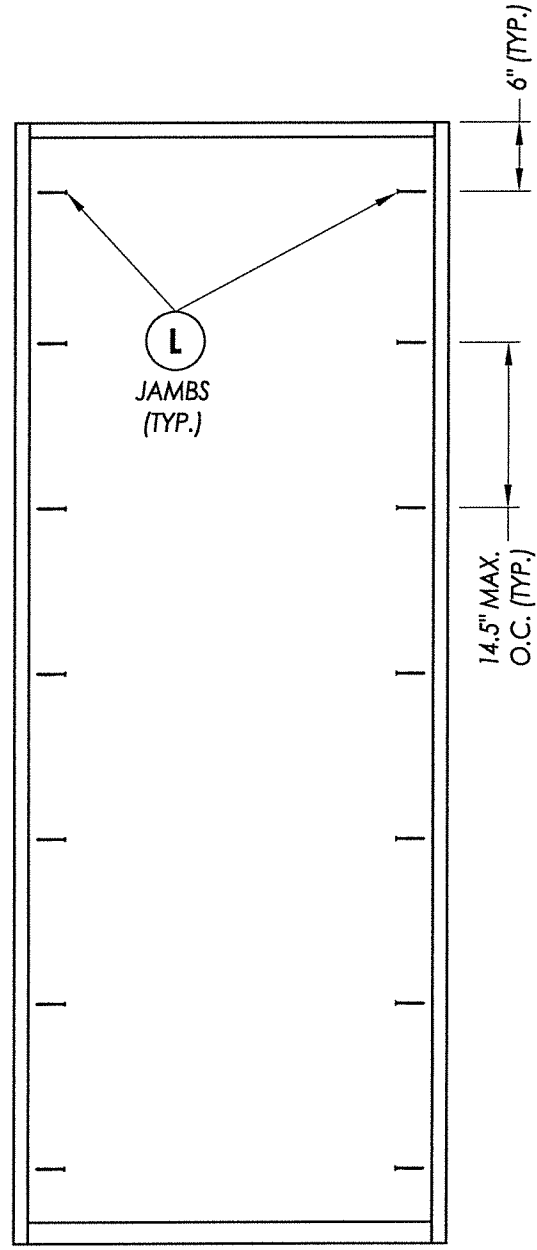
PRODUCT: THERMA--TRU
 FLUSH GLAZED DOOR
 PART OR ASSEMBLY:
 VERTICAL
 CROSS SECTIONS

NO.	DATE	REVISIONS	BY
1	4/28/20	UPDATE TO 2018 IBC/IRC CODE	LFS

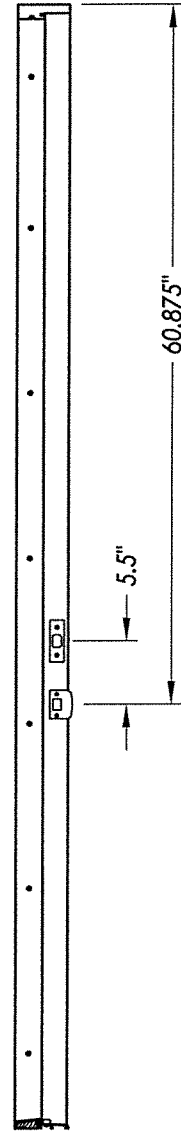
DATE: 7/28/15
 SCALE: N.T.S.
 DWG. BY: JK
 CHK. BY: LFS
 DRAWING NO.: TX-4557
 SHEET 4 OF 6



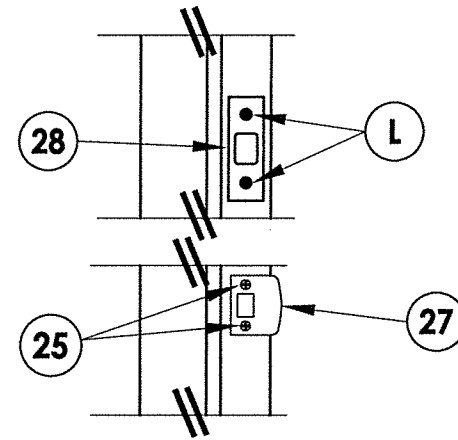
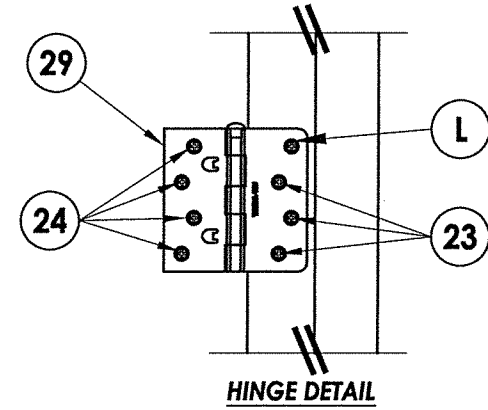
HINGE JAMB



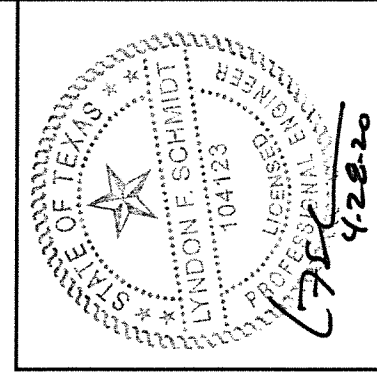
FRAME ANCHORING



STRIKE JAMB



LATCH & DEADBOLT STRIKE PLATE DETAIL



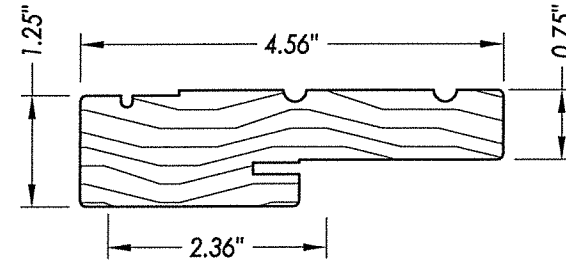
Documents Prepared By: Lyndon F. Schmidt, P.E.
TEXAS P.E. #104123

RW BUILDING CONSULTANTS, INC.
P.O. Box 230 Vairico FL 33595
Phone No.: 813.659.9197
TEXAS BOARD OF PROFESSIONAL ENGINEERS
CERTIFICATE OF REGISTRATION # F-11852

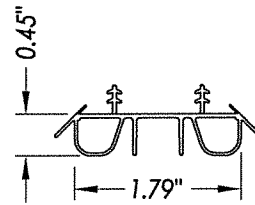
FRAME ANCHORING
2X stud framing
w/ wood/concrete substrate

PRODUCT: THERMA-TRU FLUSH GLAZED DOOR	
PART OR ASSEMBLY: FRAME ANCHORING & HARDWARE DETAILS	
NO.	DATE
1	4/28/20
UPDATE TO 2018 IBC/IRC CODE	
LFS	BY
REVISIONS	
DATE: 7/28/15	
SCALE: N.T.S.	
DWG. BY: JK	
CHK. BY: LFS	
DRAWING NO.: TX-4557	
SHEET 5 OF 6	

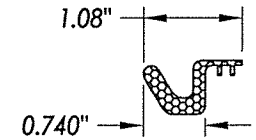
BILL OF MATERIALS		
ITEM #	DESCRIPTION	MATERIAL
A	2X FRAMING (SG >= 0.42)	WOOD
C	1/4" MAX. SHIM SPACE	-
K	#10 PFH WOOD SCREW (1-1/2" MIN. EMBEDMENT)	
L	#10 X 2-1/2" PFH WOOD SCREW (1.15" MIN. EMBEDMENT)	STEEL
1	JAMB - FINGER JOINTED PINE	WOOD
6	WEATHERSTRIP (Medium Reach by Therma-Tru)	FOAM
7	WEATHERSTRIP (Long Reach by Therma-Tru)	FOAM
8	SWEEP	VINYL
13	INSWING THRESHOLD	ALUM/COMP
14	OUTSWING THRESHOLD	ALUM/COMP
23	#10 x 3/4" PFH WOOD SCREW	STEEL
24	#10 x 1" PFH WOOD SCREW	STEEL
25	#8 x 2-1/2" PFH WOOD SCREW	STEEL
27	LATCH STRIKE PLATE	STEEL
28	DEADBOLT STRIKE PLATE	STEEL
29	4" X 4" HINGE	STEEL
40	DOOR PANEL (2'-10")	-
41	DOOR PANEL (3'-0")	-



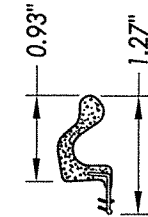
1 WOOD JAMB



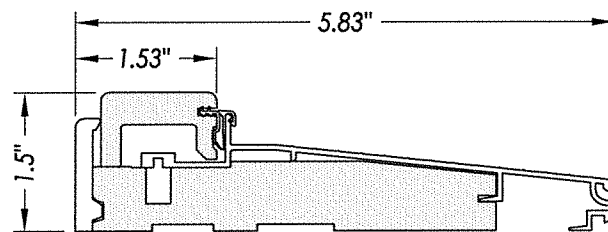
8 SWEEP



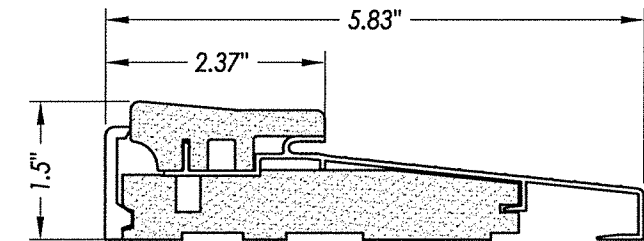
6 WEATHERSTRIP
Medium Reach



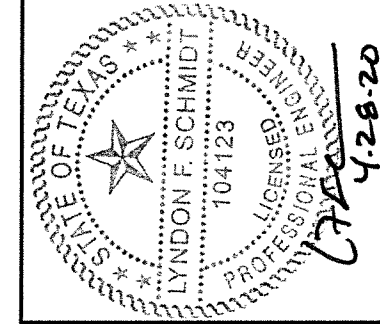
7 WEATHERSTRIP
Long Reach



13 INSWING THRESHOLD



14 OUTSWING THRESHOLD



Documents Prepared By: Lyndon F. Schmidt, P.E.
TEXAS P.E. #104123

RW BUILDING CONSULTANTS, INC.
P.O. Box 230 Valrico FL, 33595
Phone No.: 813.659.9197
TEXAS BOARD OF PROFESSIONAL ENGINEERS
CERTIFICATE OF REGISTRATION # F-11852

PRODUCT: THERMA-TRU
FLUSH GLAZED DOOR

PART OR ASSEMBLY:
BILL OF MATERIALS &
COMPONENTS

NO.	DATE	DESCRIPTION	LFS	BY
1	4/28/20	UPDATE TO 2018 IBC/IRC CODE	LFS	

DATE: 7/28/15
SCALE: N.T.S.
DWG. BY: JK
CHK. BY: LFS
DRAWING NO.: TX-4557
SHEET 6 OF 6