



"InSync™ D" RFID DEADBOLT LOCK

in a
STEEL DOOR
INSWING / OUTSWING
"IMPACT"

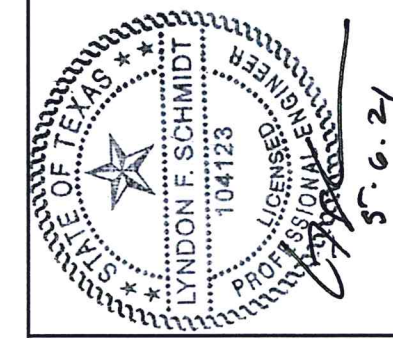
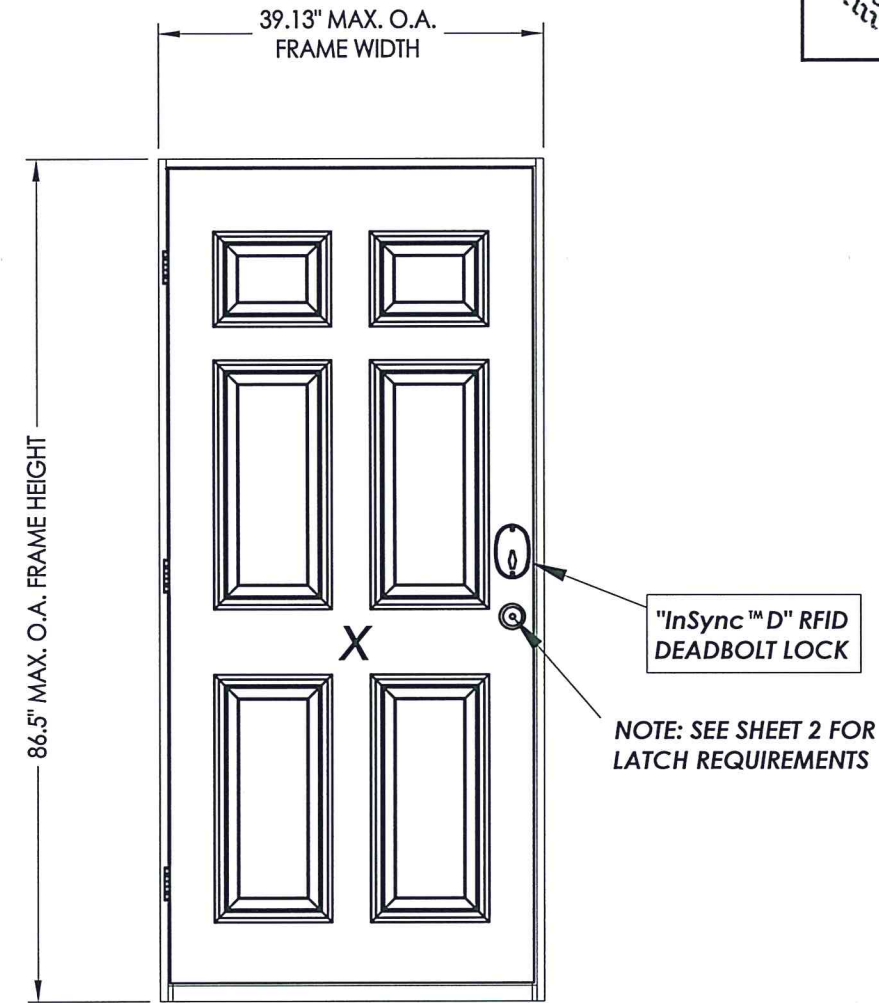
EVALUATED FOR USE IN THE STATE OF TEXAS

The Steel Door system described herein complies with the 2018 International Residential Code (IRC), Sections R301 & R609 and the 2018 International Building Code (IBC), Sections 1404.13, 1609, 1709.5, 2403 and 2404 subject to the following conditions:

1. Anchors shall be as listed and spaced as shown in the details. Anchor embedment to base material shall be beyond wall dressing or stucco.
2. This system has been tested and evaluated as a large missile impact protective system for installation in areas that require wind borne debris protection. This product meets missile level "D" as defined in ASTM E 1996.
3. Allowable design pressure requirements must be equal to or less than the design pressure rating shown in the design pressure chart, sheet 1 of this drawing.
4. Conditions not covered by this drawing are subject to further engineering analysis.

TABLE OF CONTENTS

SHEET#	DESCRIPTION
1	Typical elevations, design pressures & general notes
2	Door panel details
3	Vertical cross sections
4	Horizontal cross section
5	Frame anchoring details (composite frame)
6	Frame anchoring details (steel frame)
7	Bill of materials and components



Documents Prepared By: Lyndon F. Schmidt, P.E.
TEXAS P.E. #104123

RW BUILDING CONSULTANTS, INC.
P.O. Box 230 Valrico FL. 33595
Phone No.: 813.659.9197

TEXAS BOARD OF PROFESSIONAL ENGINEERS
CERTIFICATE OF REGISTRATION # F-11852

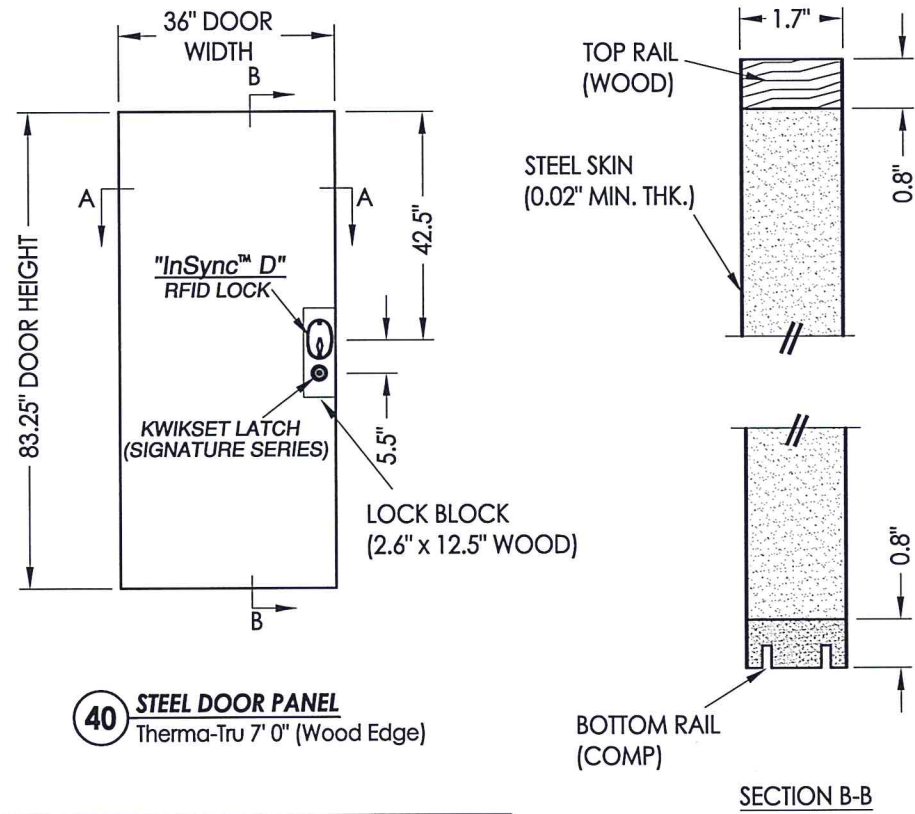
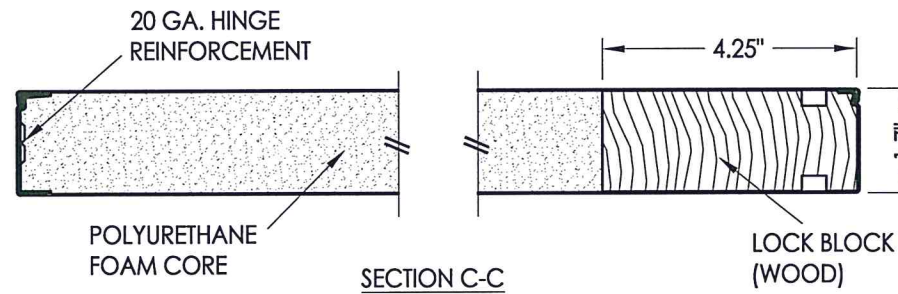
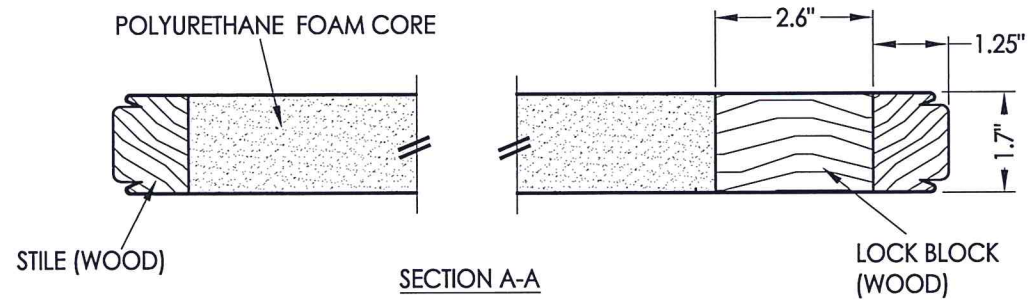
PRODUCT: dormakaba RFID LOCK STEEL DOOR

PART OR ASSEMBLY: TYPICAL ELEVATIONS, DESIGN PRESSURES & GENERAL NOTES

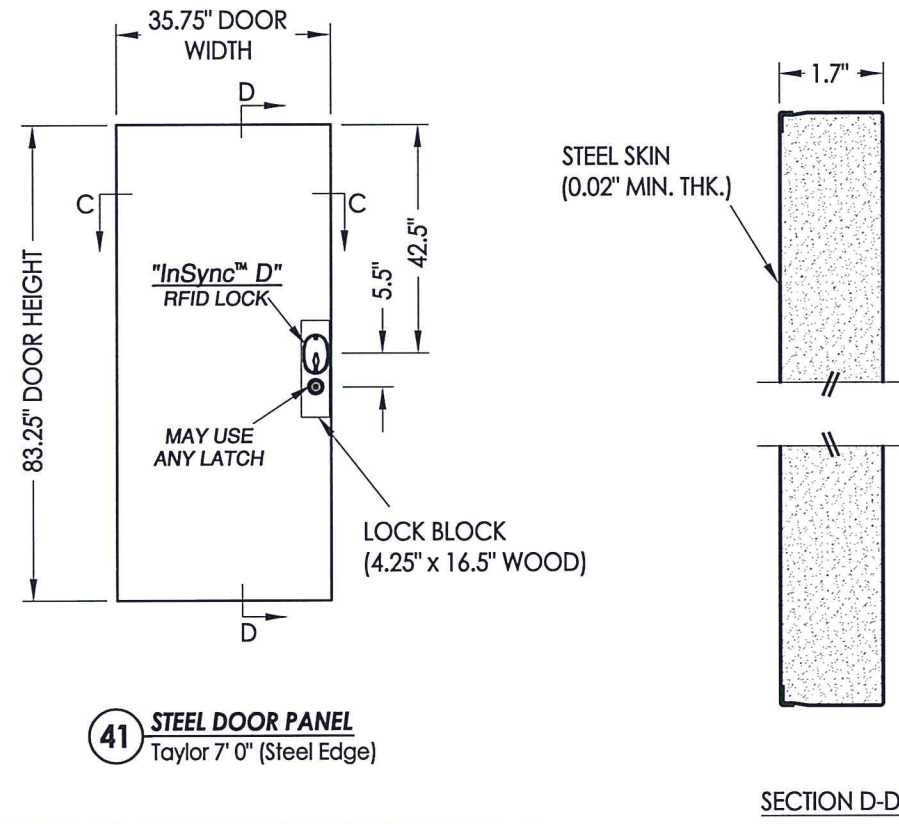
NO.	DATE	REVISIONS
1	5/6/21	REVISE LOGO, COMPANY NAME & UPDATE TO 2018 IBC/IRC

DATE: 1/07/15
SCALE: N.T.S.
DWG. BY: JK
CHK. BY: LFS
DRAWING NO.: TX-4524
SHEET 1 OF 7

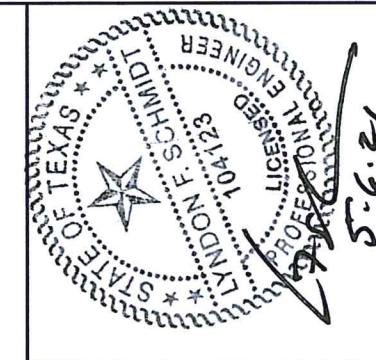
MAX FRAME DIMENSION	DOOR PANEL MANUFACTURER	SWING	DESIGN PRESSURE (PSF)	
			POSITIVE	NEGATIVE
37.75" x 84.5"	Therma-Tru	OUTSWING	+60.0	-60.0
39.13" x 86.5"	Taylor	INSWING	+65.0	-75.0
39.13" x 85.25"	Taylor	OUTSWING	+65.0	-65.0



DOOR TESTED w/ KWIKSET SIGNATURE SERIES LATCH



DOOR TESTED WITHOUT LATCH - MAY USE ANY LATCH

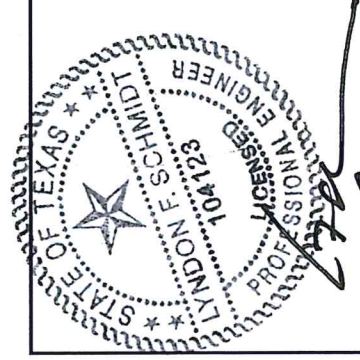
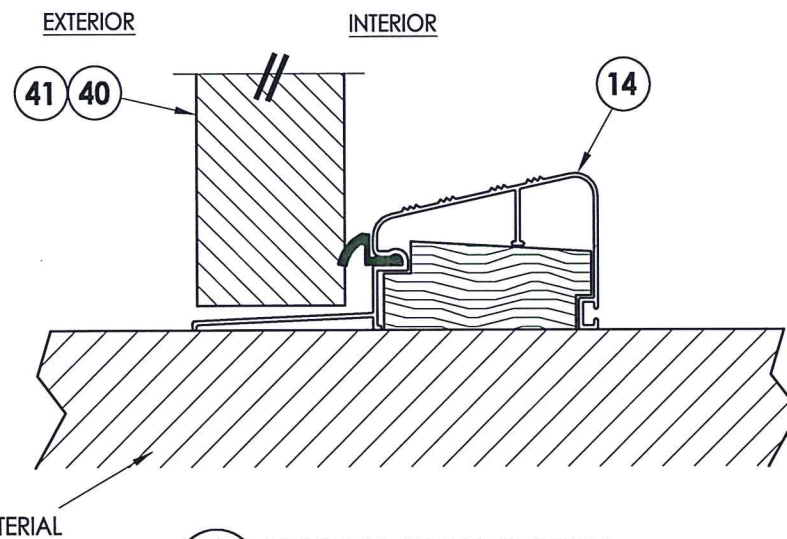
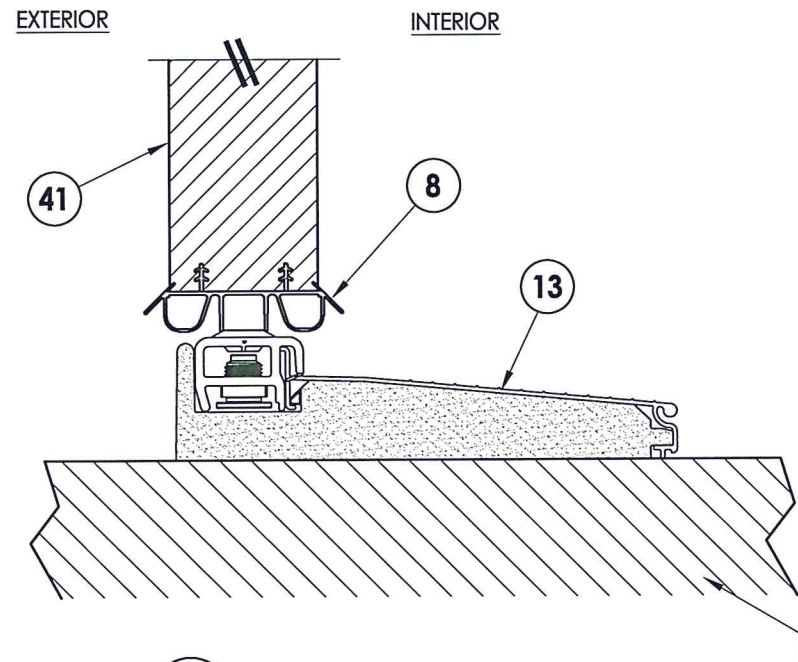
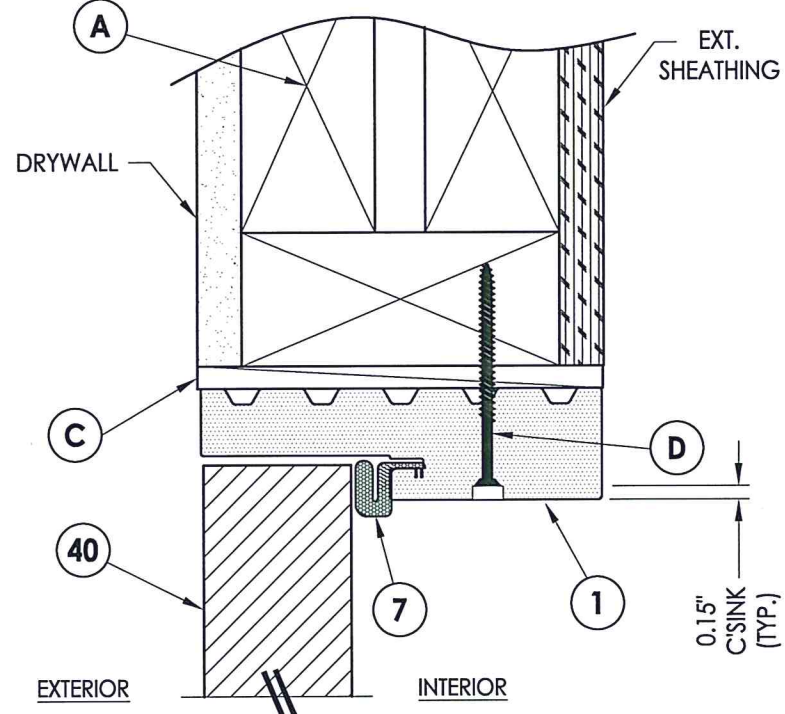
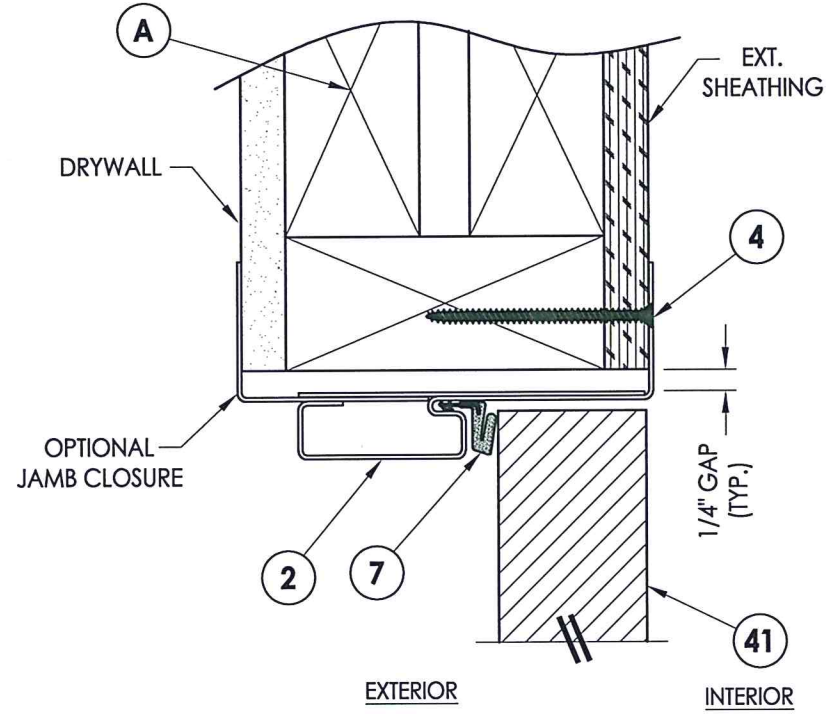
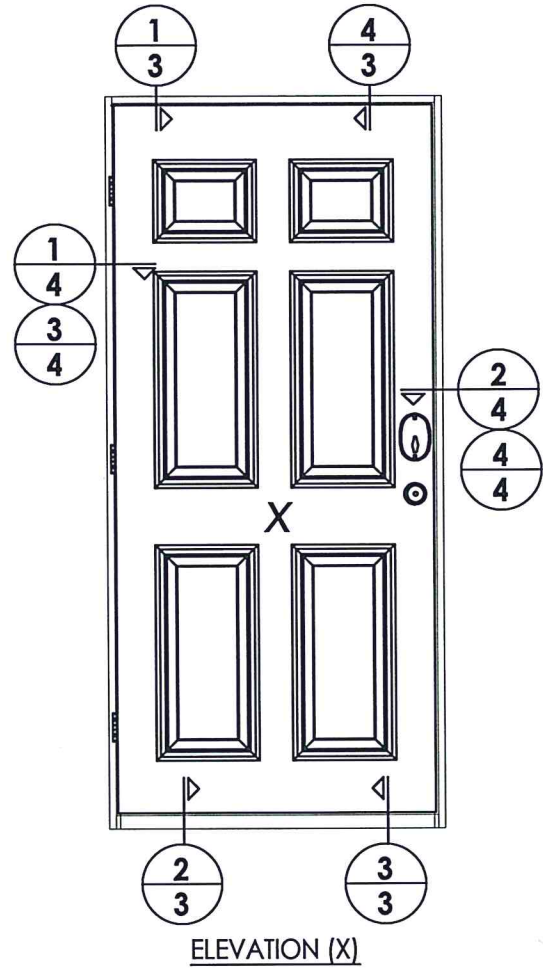


Documents Prepared By: Lyndon F. Schmidt, P.E.
TEXAS P.E. #104123

RW BUILDING CONSULTANTS, INC.
P.O. Box 230 Valrico FL 33595
Phone No.: 813.659.9197

TEXAS BOARD OF PROFESSIONAL ENGINEERS
CERTIFICATE OF REGISTRATION # F-11852

PRODUCT:		dormakaba RFID LOCK STEEL DOOR	
PART OR ASSEMBLY:		DOOR PANELS DETAILS	
NO.	DATE	BY	REVISIONS
1	5/6/21	LFS	REVISE LOGO, COMPANY NAME & UPDATE TO 2018 IBC/IRC
DATE:		1/07/15	
SCALE:		N.T.S.	
DWG. BY:		JK	
CHK. BY:		LFS	
DRAWING NO.:		TX-4524	
SHEET		2 OF 7	

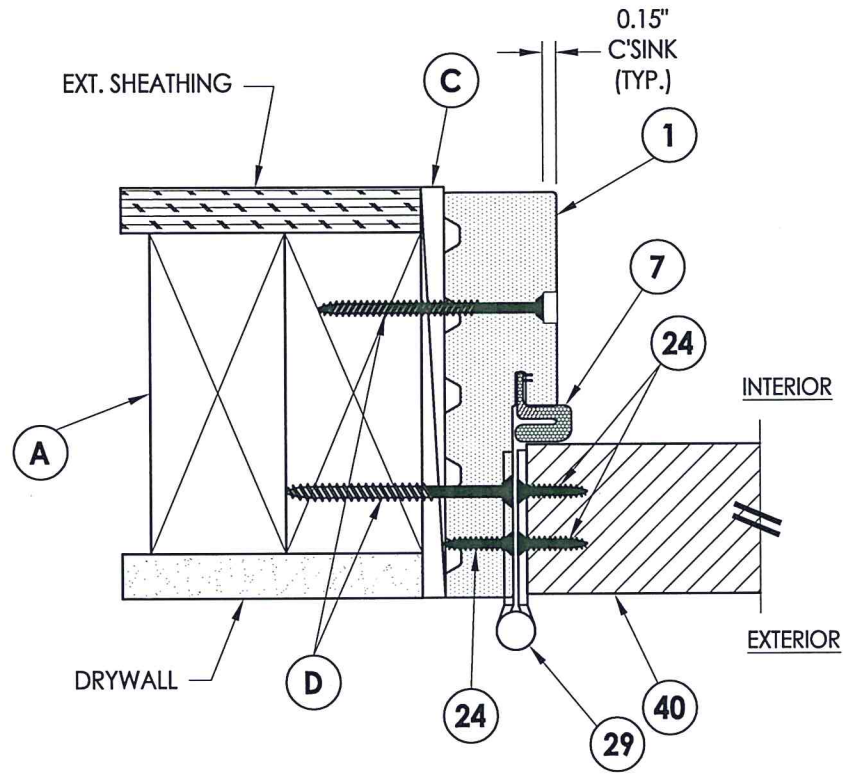


Documents Prepared By: Lyndon F. Schmidt, P.E.
TEXAS P.E. #104123

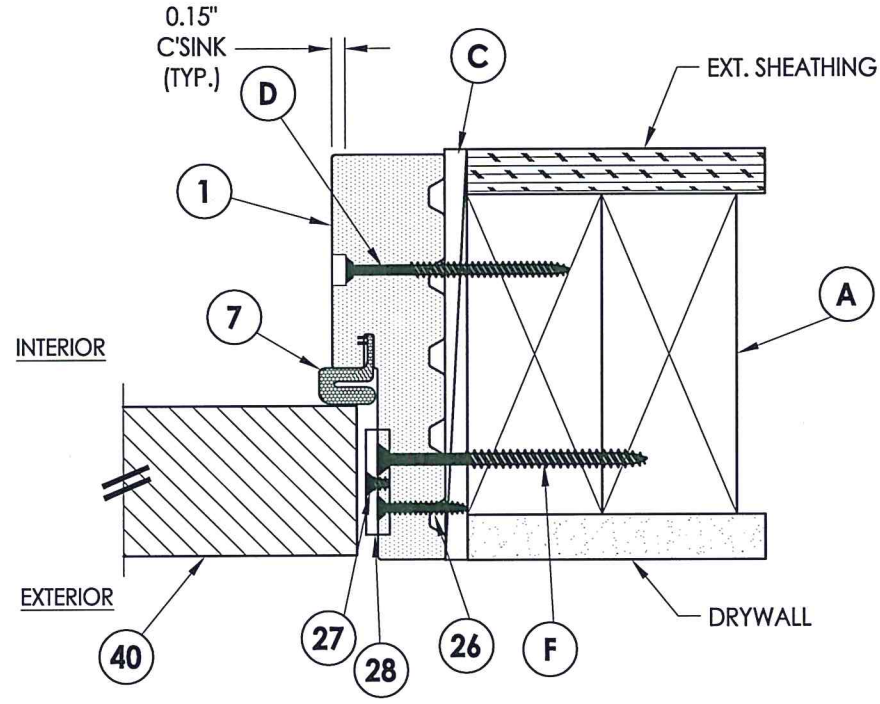
RW BUILDING CONSULTANTS, INC.
P.O. Box 230 Vairico FL 33595
Phone No.: 813.659.9197

TEXAS BOARD OF PROFESSIONAL ENGINEERS
CERTIFICATE OF REGISTRATION # F-11852

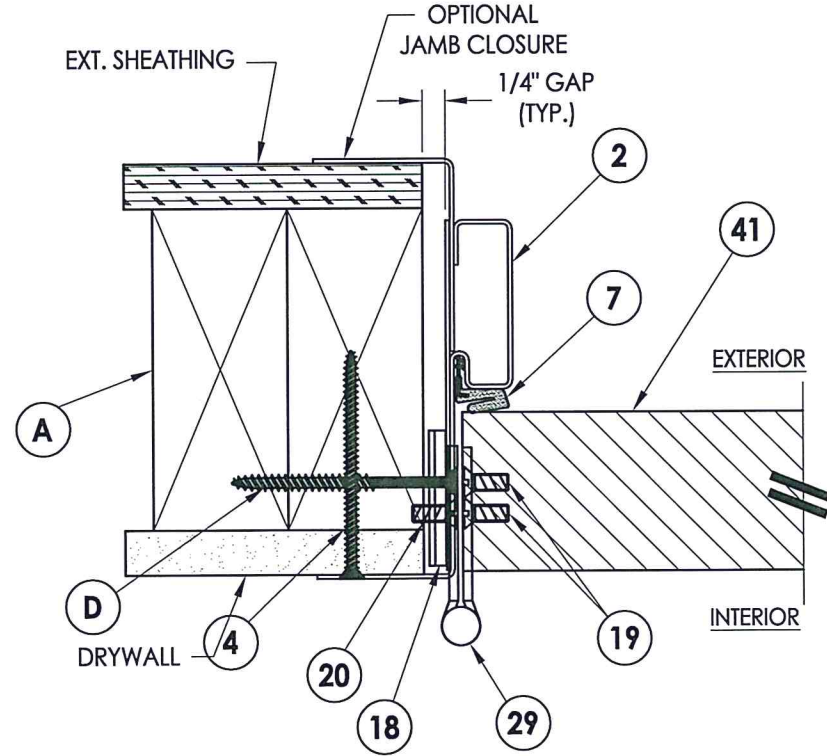
PRODUCT: dormakaba RFID LOCK STEEL DOOR		PART OR ASSEMBLY: VERTICAL CROSS SECTIONS	
NO.	DATE	BY	REVISIONS
1	5/6/21	LFS	REVISE LOGO, COMPANY NAME & UPDATE TO 2018 IBC/IRC
DATE: 1/07/15		SCALE: N.T.S.	
DWG. BY: JK		CHK. BY: LFS	
DRAWING NO.: TX-4524		SHEET 3 OF 7	



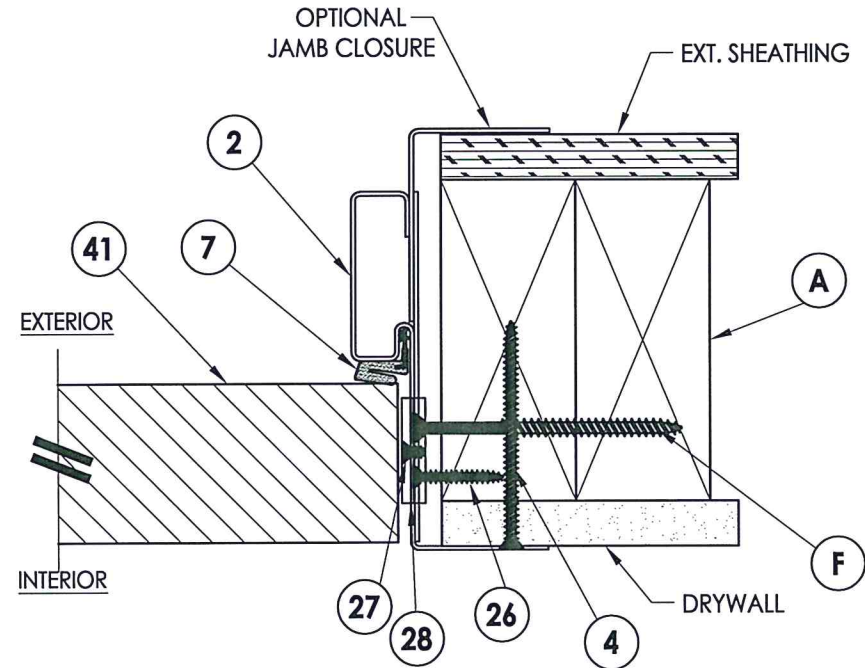
1 HORIZONTAL CROSS SECTION
4 Outswing shown



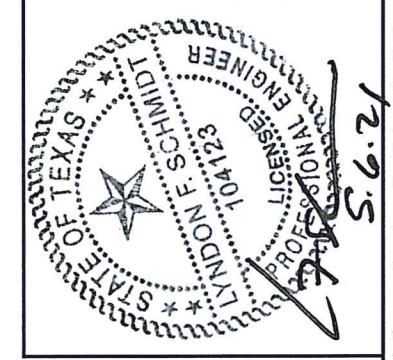
2 HORIZONTAL CROSS SECTION
4 Outswing shown



3 HORIZONTAL CROSS SECTION
4 Inswing shown (Outswing similar)



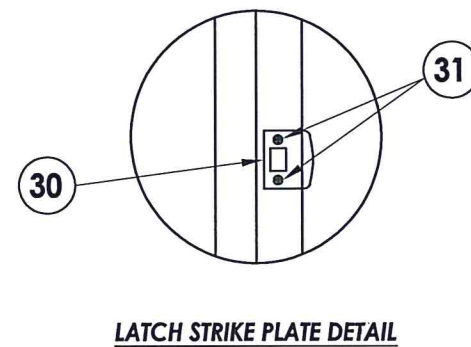
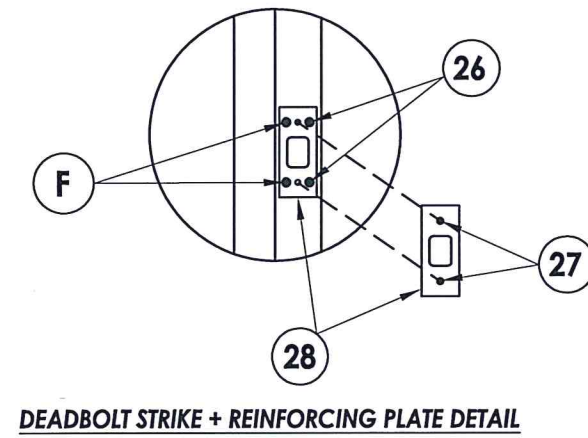
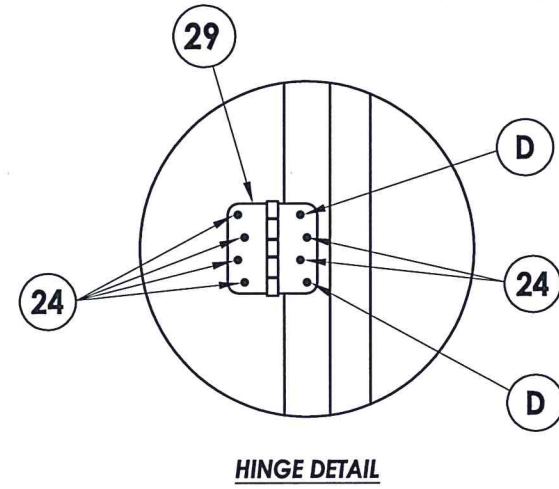
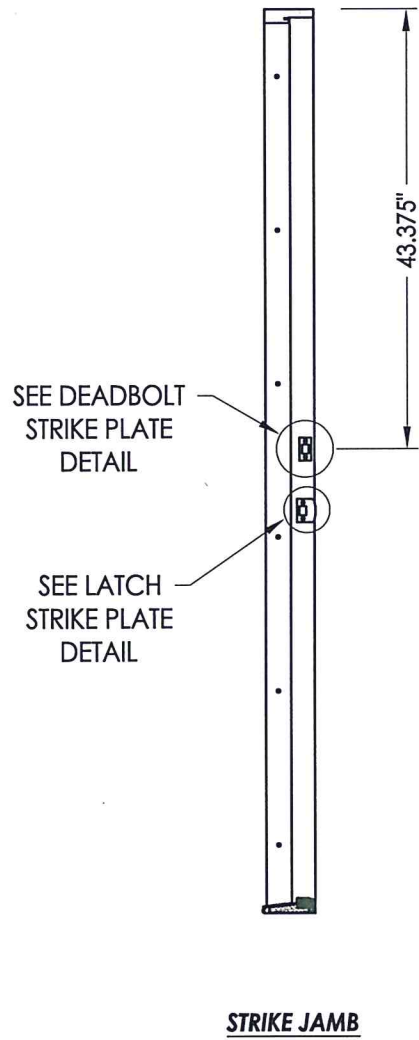
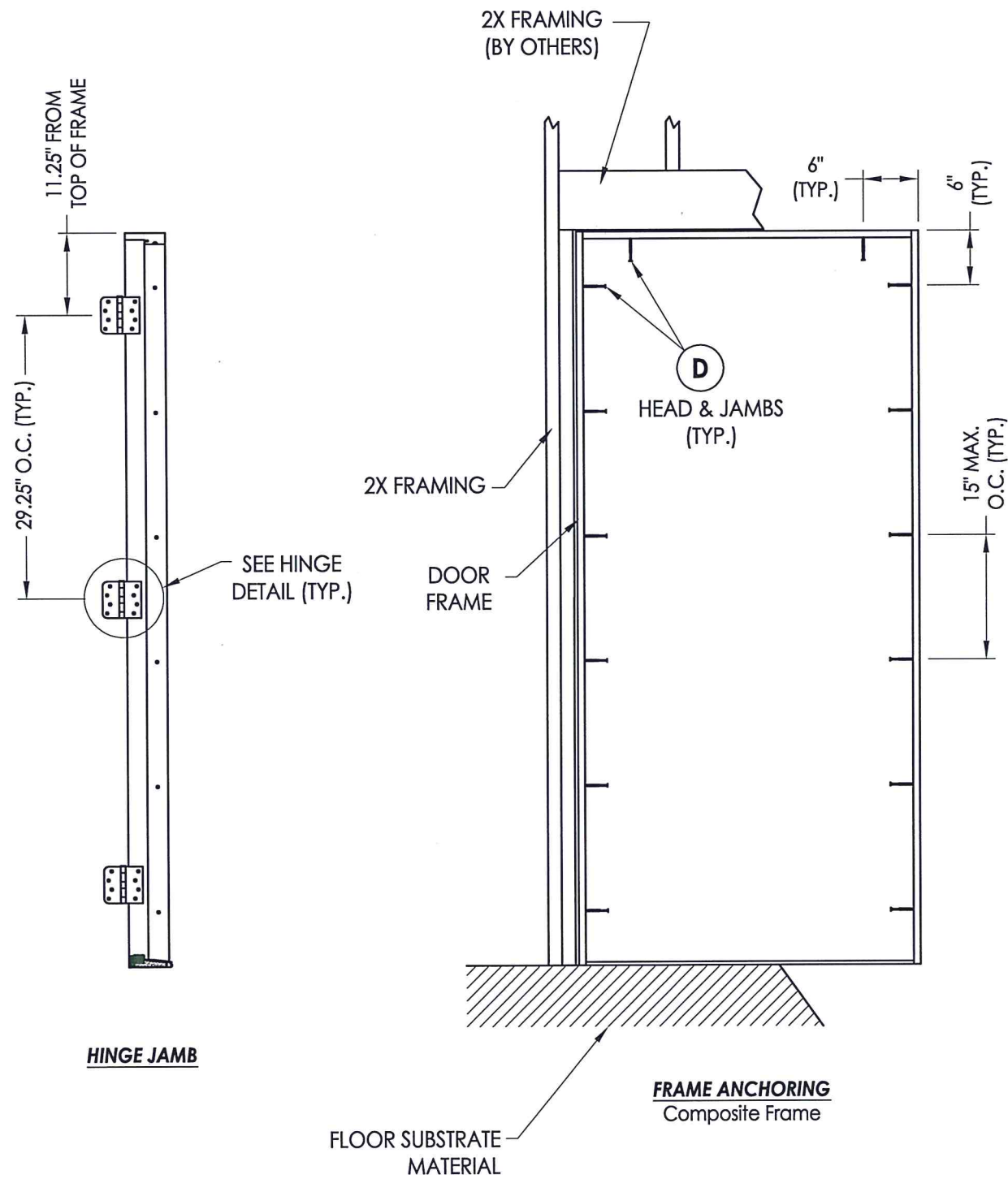
4 HORIZONTAL CROSS SECTION
4 Inswing shown (Outswing similar)



Documents Prepared By: Lyndon F. Schmidt, P.E.
TEXAS P.E. #104123

RW BUILDING CONSULTANTS, INC.
P.O. Box 230 Valrico FL, 33595
Phone No.: 813.659.9197
TEXAS BOARD OF PROFESSIONAL ENGINEERS
CERTIFICATE OF REGISTRATION # F-11852

PRODUCT:		dormakaba RFID LOCK STEEL DOOR	
PART OR ASSEMBLY:		HORIZONTAL CROSS SECTIONS	
NO.	DATE	REVISE LOGO, COMPANY NAME & UPDATE TO 2018 IBC/IRC	BY
1	5/6/21		LFS
REVISIONS			
DATE:		1/07/15	
SCALE:		N.T.S.	
DWG. BY:		JK	
CHK. BY:		LFS	
DRAWING NO.:		TX-4524	
SHEET		4 OF 7	

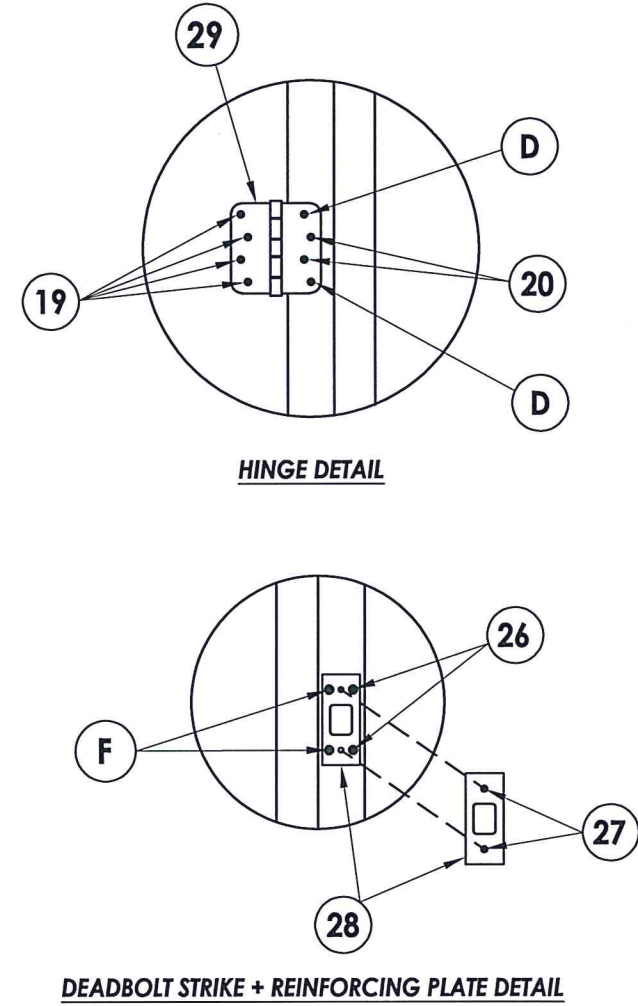
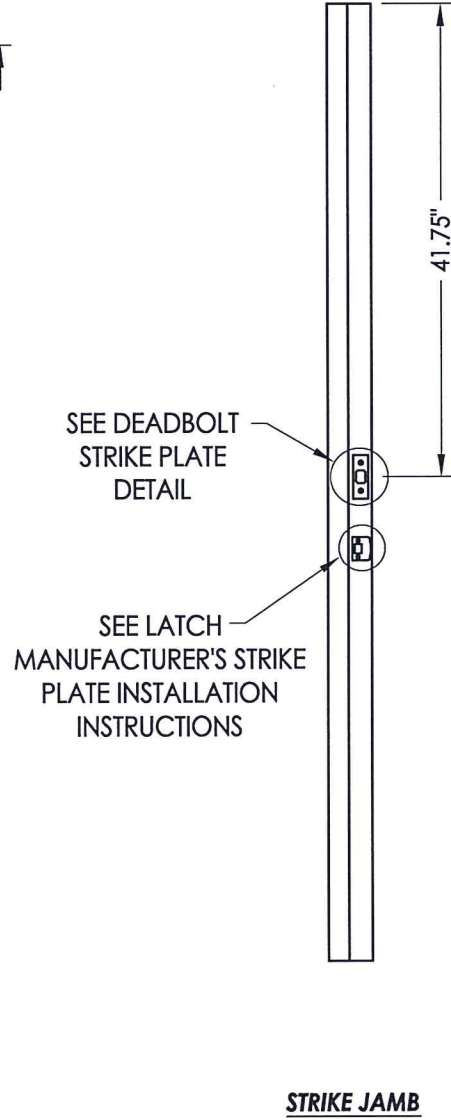
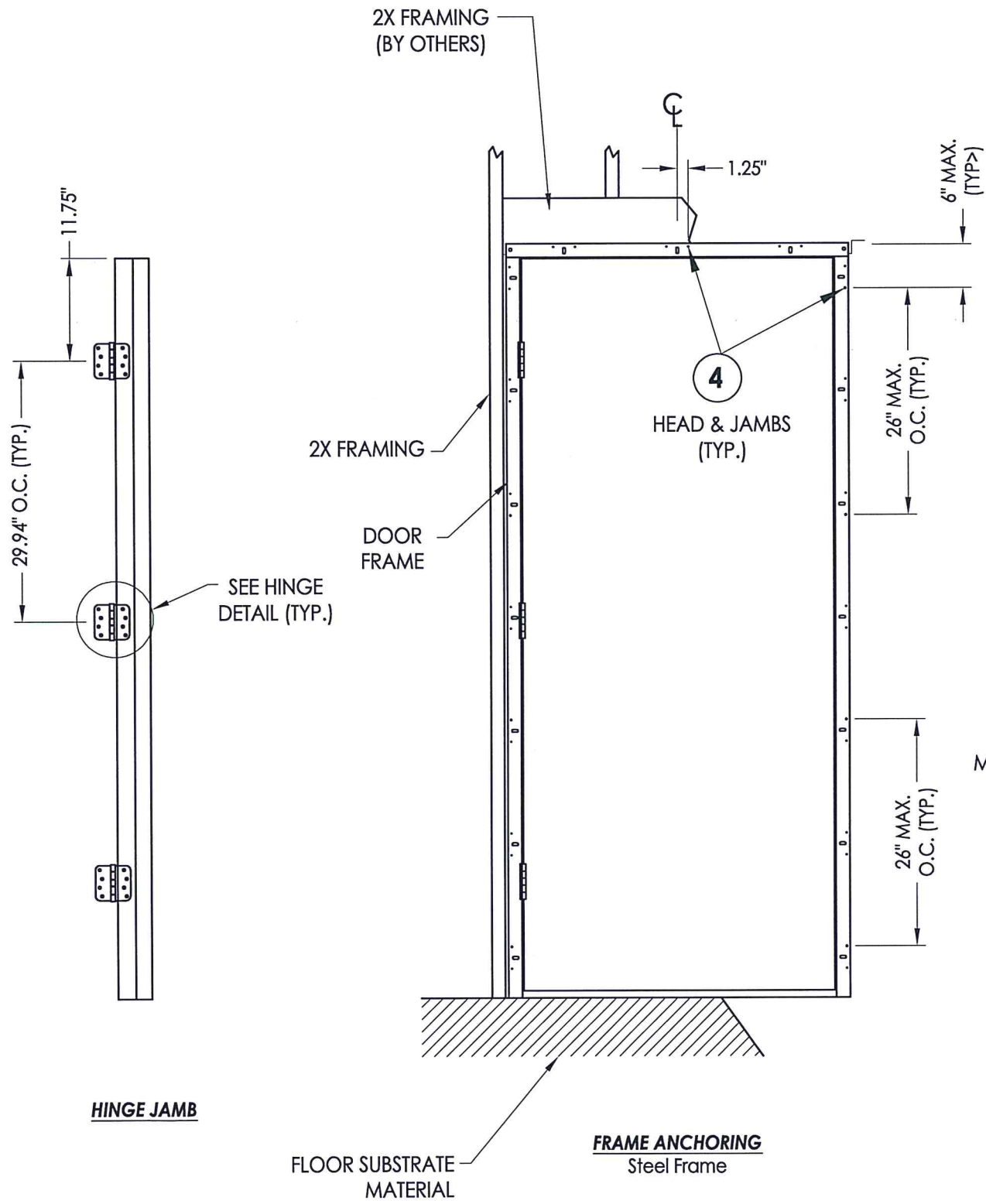


Documents Prepared By: Lyndon F. Schmidt, P.E.
TEXAS P.E. #104123

R.W. BUILDING CONSULTANTS, INC.
P.O. Box 230 Valrico FL, 33595
Phone No.: 813.659.9197

TEXAS BOARD OF PROFESSIONAL ENGINEERS
CERTIFICATE OF REGISTRATION # F-11852

PRODUCT:		dormakaba RFID LOCK STEEL DOOR	
PART OR ASSEMBLY:		FRAME ANCHORING DETAILS (COMPOSITE FRAME)	
NO.	DATE	BY	REVISIONS
1	5/6/21	LFS	REVISE LOGO, COMPANY NAME & UPDATE TO 2018 IBC/IRC
DATE:		1/07/15	
SCALE:		N.T.S.	
DWG. BY:		JK	
CHK. BY:		LFS	
DRAWING NO.:		TX-4524	
SHEET		5 OF 7	

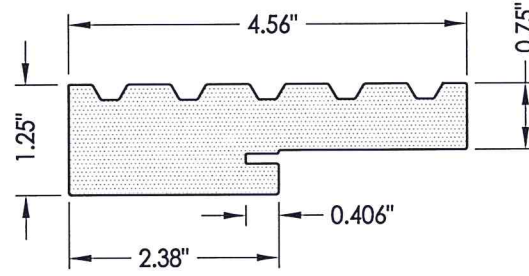


Documents Prepared By: Lyndon F. Schmidt, P.E.
TEXAS P.E. #104123

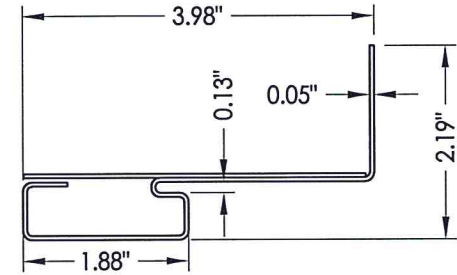
RW BUILDING CONSULTANTS, INC.
P.O. Box 230 Valrico FL 33595
Phone No.: 813.659.9197
TEXAS BOARD OF PROFESSIONAL ENGINEERS
CERTIFICATE OF REGISTRATION # F-11852

PRODUCT: dormakaba RFID LOCK STEEL DOOR	
PART OR ASSEMBLY: FRAME ANCHORING DETAILS (STEEL FRAME)	
NO.	DATE
1	5/6/21
REVISIONS	
REVISE LOGO, COMPANY NAME & UPDATE TO 2018 IBC/IRC	
LFS	BY
DATE: 1/07/15	
SCALE: N.T.S.	
DWG. BY: JK	
CHK. BY: LFS	
DRAWING NO.: TX-4524	
SHEET 6 OF 7	

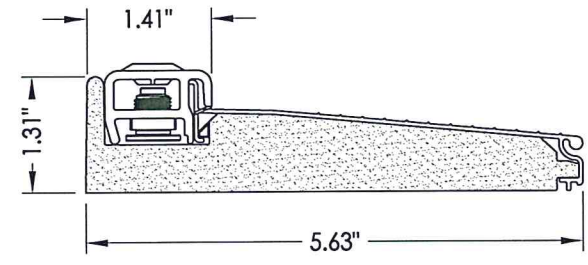
BILL OF MATERIALS		
ITEM #	DESCRIPTION	MATERIAL
A	2X FRAMING (SG >= 0.42)	WOOD
C	1/4" MAX. SHIM SPACE	-
D	#10 X 2-1/2" PFH WOOD SCREW (1.15" MIN. EMBEDMENT)	STEEL
F	#10 X 3" PFH WOOD SCREW	STEEL
1	COMPOSITE JAMB	COMP
2	EXTERIOR FRAME	STEEL
4	#8 X 2-1/2" SMS (2" MIN. EMBEDMENT)	STEEL
7	WEATHERSTRIP (Q-LON)	FOAM
8	SWEEP	VINYL
13	INSWING THRESHOLD	ALUM/COMP
14	OUTSWING THRESHOLD	ALUM/COMP
18	HINGE REINFORCEMENT (0.12" MIN. THICKNESS)	STEEL
19	#10-24 X 5/8" PFH MACHINE SCREW	STEEL
20	#10-24 X 1/2" PFH MACHINE SCREW	STEEL
23	#10 X 1-1/2" PPH SMS	STEEL
24	#10 x 3/4" PFH SMS	STEEL
26	#8 x 1" PFH WOOD SCREW	STEEL
27	#8-32 x 7/8" MACHINE SCREW	STEEL
28	DEADBOLT STRIKE + REINFORCING PLATE	STEEL
29	4" X 4" HINGE	STEEL
30	LATCH STRIKE PLATE	STEEL
31	#8 x 2" PFH WOOD SCREW	STEEL
40	DOOR PANEL (THERMA-TRU)	-
41	DOOR PANEL (TAYLOR)	-



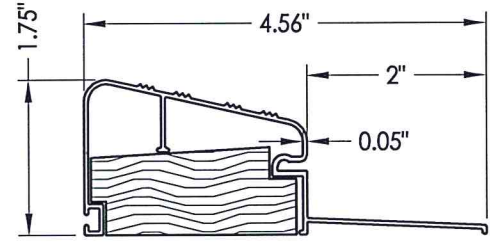
1 COMPOSITE JAMB
"4EVER" (WORLDWIDE)



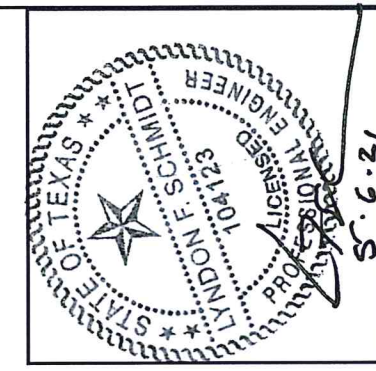
2 EXTERIOR FRAME



13 INSWING THRESHOLD
Endura (Z-FEN Series)



14 OUTSWING THRESHOLD
DLP



Documents Prepared By: Lyndon F. Schmidt, P.E.
TEXAS P.E. #104123

RW BUILDING CONSULTANTS, INC.
P.O. Box 230 Valrico FL 33595
Phone No.: 813.659.9197

TEXAS BOARD OF PROFESSIONAL ENGINEERS
CERTIFICATE OF REGISTRATION # F-11852

PRODUCT: dormakaba RFID LOCK STEEL DOOR		PART OR ASSEMBLY: BILL OF MATERIALS & COMPONENTS	
NO.	DATE	REVISIONS	BY
1	5/6/21	REVISE LOGO, COMPANY NAME & UPDATE TO 2018 IBC/IRC	LFS
DATE: 1/07/15		SCALE: N.T.S.	
DWG. BY: JK		CHK. BY: LFS	
DRAWING NO.: TX-4524		SHEET 7 OF 7	