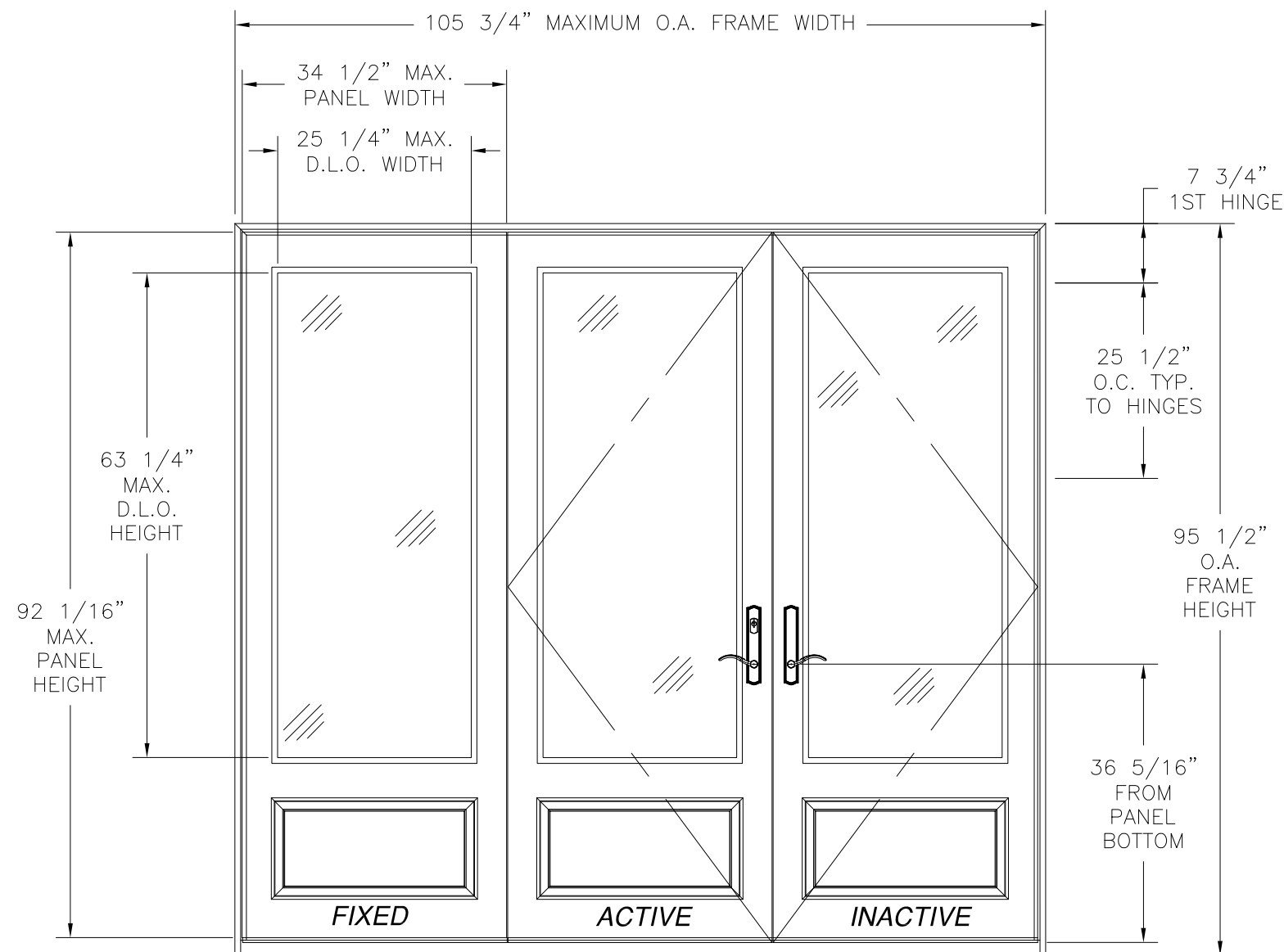


REVISIONS			
REV	DESCRIPTION	DATE	APPROVED
A	UPDATED PER NEW CODES	09/29/2021	R.L.



**SERIES NAN YA 8'0 IN-SWING HINGED 3/4 LITE FIBERGLASS PATIO DOOR W/  
SIDELITE  
EXTERIOR VIEW**

**NOTES:**

1. THE PRODUCT SHOWN HEREIN IS DESIGNED AND MANUFACTURED TO COMPLY WITH REQUIREMENTS OF THE 2018 IBC AND 2018 IRC.
2. WOOD FRAMING AND MASONRY OPENING TO BE DESIGNED AND ANCHORED TO PROPERLY TRANSFER ALL LOADS TO STRUCTURE. FRAMING AND MASONRY OPENING IS THE RESPONSIBILITY OF THE ARCHITECT OR ENGINEER OF RECORD.
3. 1X BUCK OVER MASONRY/CONCRETE IS OPTIONAL. WHERE 1X BUCK IS NOT USED DISSIMILAR MATERIALS MUST BE SEPARATED WITH APPROVED COATING OR MEMBRANE. SELECTION OF COATING OR MEMBRANE IS THE RESPONSIBILITY OF THE ARCHITECT OR ENGINEER OF RECORD.
4. UNITS MUST BE GLAZED PER ASTM E1300, SEE SHEET 2 FOR GLASS OPTIONS.
5. APPROVED IMPACT PROTECTIVE SYSTEM IS NOT REQUIRED FOR THIS PRODUCT IN WIND BORNE DEBRIS REGIONS.
6. SHIM AS REQUIRED AT EACH INSTALLATION ANCHOR WITH LOAD BEARING SHIM. SHIM WHERE SPACE OF 1/16" OR GREATER OCCURS. MAXIMUM ALLOWABLE SHIM STACK TO BE 1/4".
7. FOR ANCHORING INTO WOOD FRAMING OR 2X BUCK USE #10 WOOD SCREWS WITH SUFFICIENT LENGTH TO ACHIEVE A 1 3/8" MINIMUM EMBEDMENT INTO SUBSTRATE. LOCATE ANCHORS AS SHOWN IN ELEVATIONS AND INSTALLATION DETAILS.
8. FOR ANCHORING INTO MASONRY/CONCRETE USE 3/16" TAPCONS WITH SUFFICIENT LENGTH TO ACHIEVE A 1 1/4" MINIMUM EMBEDMENT INTO SUBSTRATE WITH 2 5/8" MINIMUM EDGE DISTANCE. LOCATE ANCHORS AS SHOWN IN ELEVATIONS AND INSTALLATION DETAILS.
9. ALL FASTENERS TO BE CORROSION RESISTANT.
10. INSTALLATION ANCHORS SHALL BE INSTALLED IN ACCORDANCE WITH ANCHOR MANUFACTURER'S INSTALLATION INSTRUCTIONS AND ANCHORS SHALL NOT BE USED IN SUBSTRATES WITH STRENGTHS LESS THAN THE MINIMUM STRENGTH SPECIFIED BELOW:
  - A. WOOD – MINIMUM SPECIFIC GRAVITY OF G=0.42
  - B. CONCRETE – MINIMUM COMPRESSIVE STRENGTH OF 3,192 PSI.
  - C. MASONRY – GROUT FILLED PER ASTM C90 WITH F<sub>m</sub>=2,000PSI MINIMUM.
11. FRAME JAMB AND HEAD MATERIAL: CO-EXTRUDED PVC FOAM 1 1/2" THICK.
12. FRAME SILL MATERIAL: CO-EXTRUDED PVC FOAM 1 1/2" THICK WITH ALUMINUM CLADDING .063" THICK.
13. DOOR PANEL AND SIDELITE MATERIAL: .075" THICK FIBERGLASS SKIN WITH PVC FOAM TOP AND BOTTOM RAILS, AND PVC FOAM VERTICAL STILES WITH PINE REINFORCEMENTS AND POLYURETHANE FOAM CORE.
14. APPROVED CONFIGURATIONS: X, OX, XO, XX, OXO, XXO AND OXX. SEE SHEET 2.

DESIGN PRESSURE RATING	IMPACT RATING
±50PSF	LARGE MISSILE IMPACT

MISSILE LEVEL D, WIND ZONE 4

TABLE OF CONTENTS	
SHEET NO.	DESCRIPTION
1	ELEVATION AND NOTES
2	ADDITIONAL CONFIGURATIONS AND HARDWARE
3	ANCHORING LAYOUTS
4 – 7	INSTALLATION DETAILS

**NAN YA PLASTICS CORP. USA**  
8989 NORTH LOOP EAST  
HOUSTON, TX 77029

SERIES NAN YA 8'0 IN-SWING HINGED 3/4 LITE FIBERGLASS PATIO DOOR W/ & W/O SIDELITES  
OXX ELEVATION AND NOTES

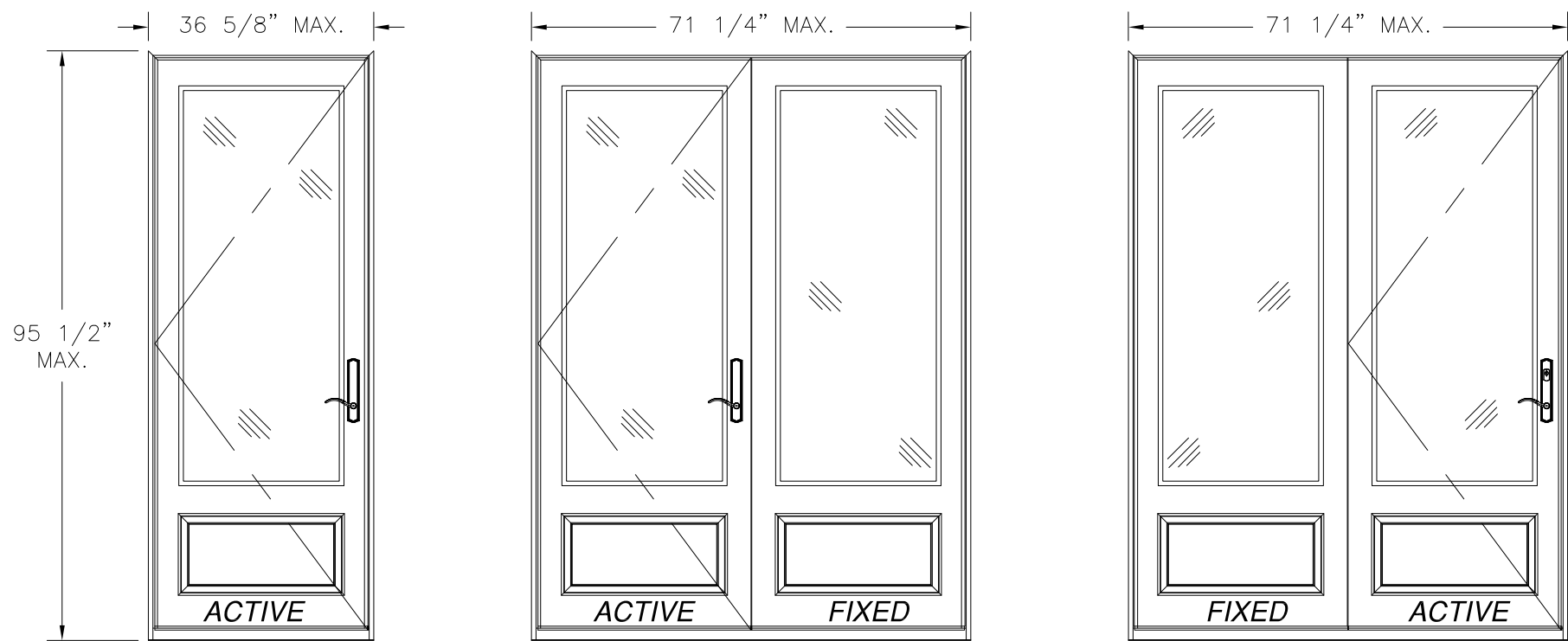
DRAWN: V.L.	DWG NO. 08-02389	REV A
SCALE NTS	DATE 07/01/14	SHEET 1 OF 7

L. ROBERTO LOMAS P.E.  
1432 WOODFORD RD LEWISVILLE, NC 27023  
434-688-0609 rllomas@rlomaspe.com

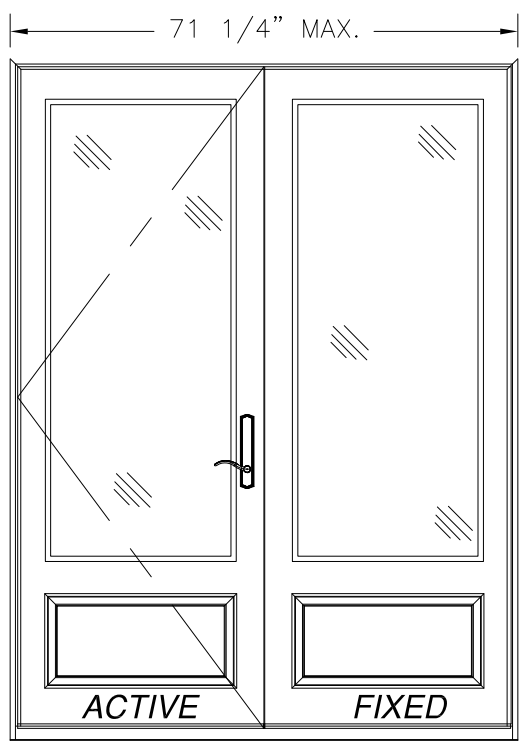
SIGNED: 09/29/2021



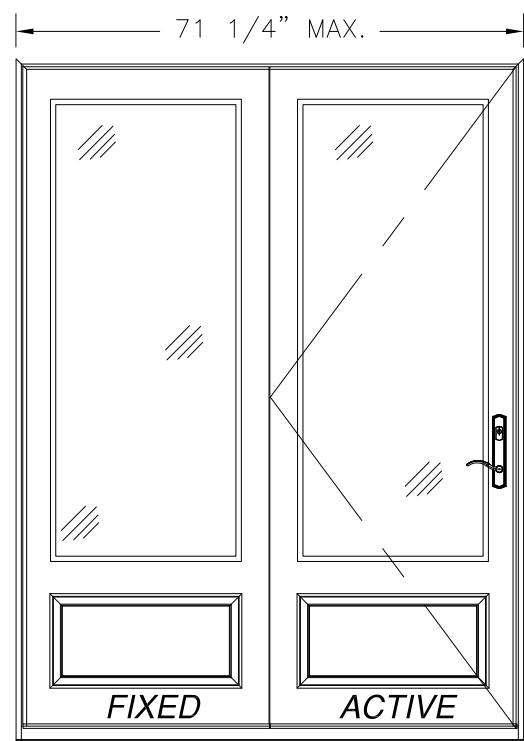
Luis R. Lomas P.E.  
TX No.: 101889



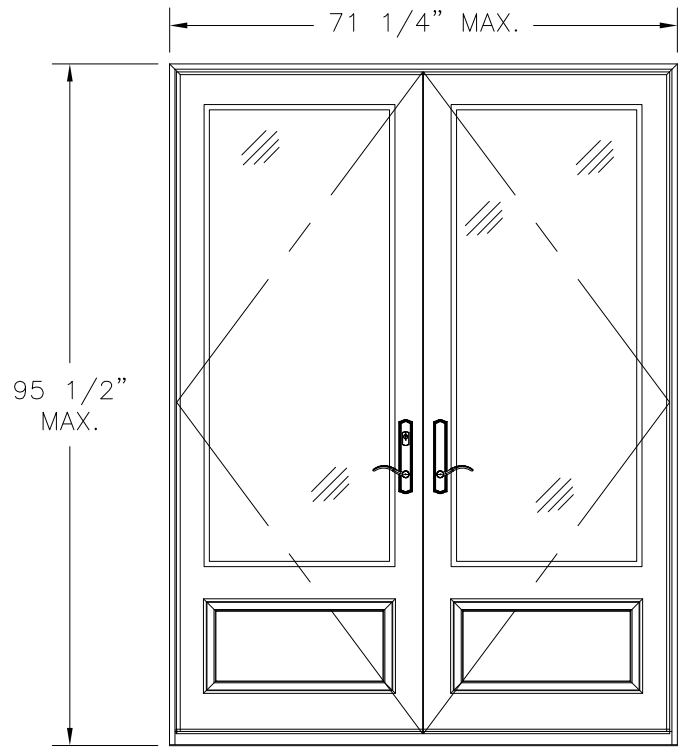
**SINGLE  
EXTERIOR VIEW**



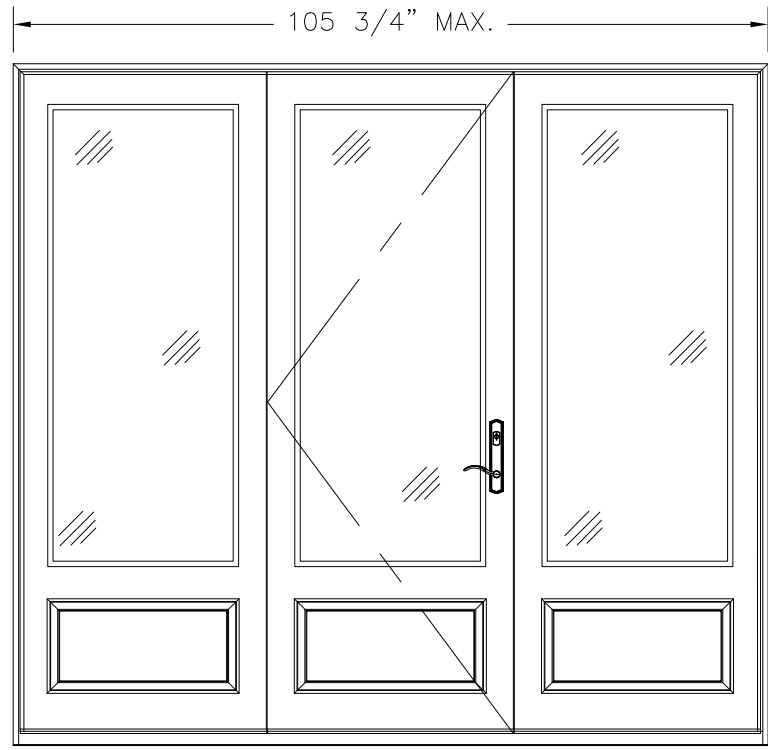
**SINGLE W/SIDELITE  
EXTERIOR VIEW**



**SINGLE W/SIDELITE  
EXTERIOR VIEW**

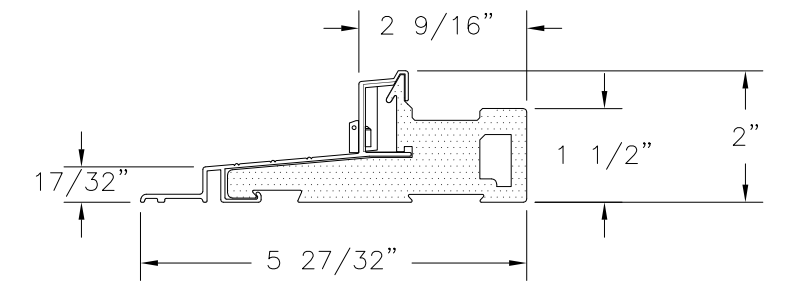


**ACTIVE INACTIVE  
DOUBLE  
EXTERIOR VIEW**

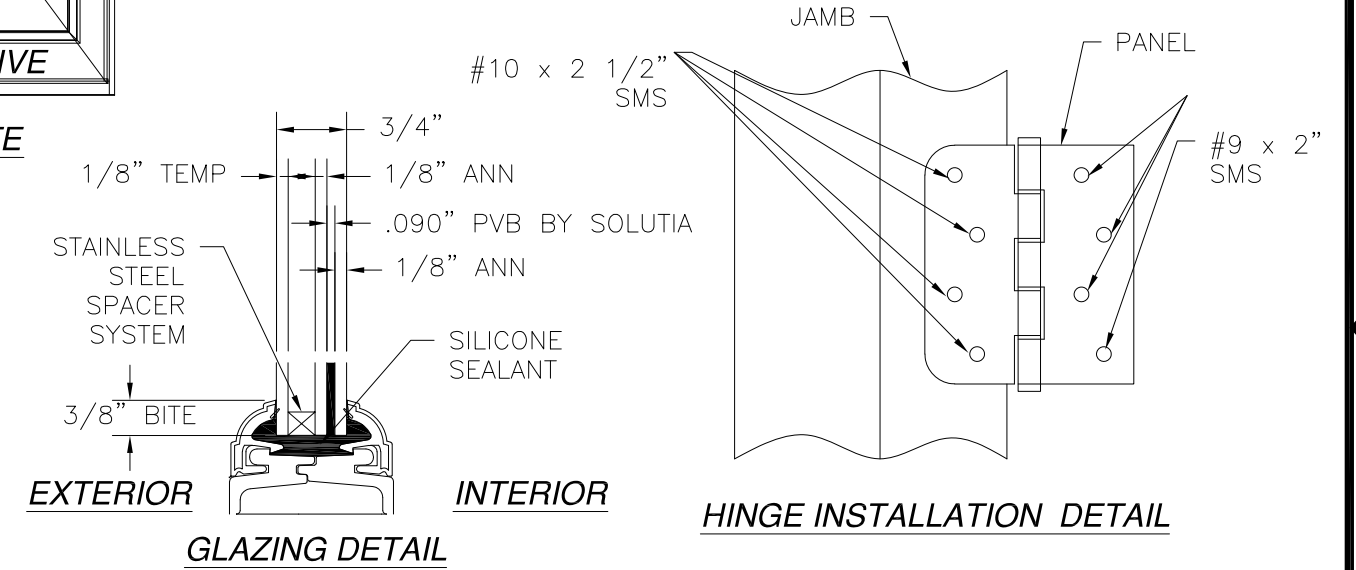


**FIXED ACTIVE FIXED  
SINGLE W/SIDELITES  
EXTERIOR VIEW**

REVISIONS			
REV	DESCRIPTION	DATE	APPROVED
A	UPDATED PER NEW CODES	09/29/2021	R.L.



**INSWING DOOR SILL DETAIL**



**GLAZING DETAIL**

**HINGE INSTALLATION DETAIL**

NOTE:  
ALL APPROVED CONFIGURATIONS ARE SHOWN AS LEFT HAND ACTIVE, RIGHT HAND ACTIVE IS ALSO APPROVED.

SIGNED: 09/29/2021

HARDWARE SCHEDULE
A. 3-POINT LOCK HANDLE ASSEMBLY NINGBO MICOTA LOCKS
B. (4) 4" x 4" BUTT HINGES BY WENZHOU LONGTAI HINGES
C. EXTRUDED ALUMINUM & PVC FOAM ASTRAGAL BY NAN YA PLASTICS
D. EXTRUDED ALUMINUM & PVC FOAM MULLION BY NAN YA PLASTICS

**NAN YA PLASTICS CORP. USA**  
8989 NORTH LOOP EAST  
HOUSTON, TX 77029

SERIES NAN YA 8'0 IN-SWING HINGED 3/4 LITE  
FIBERGLASS PATIO DOOR W/ & W/O SIDELITES  
ADDITIONAL CONFIGURATIONS & HARDWARE

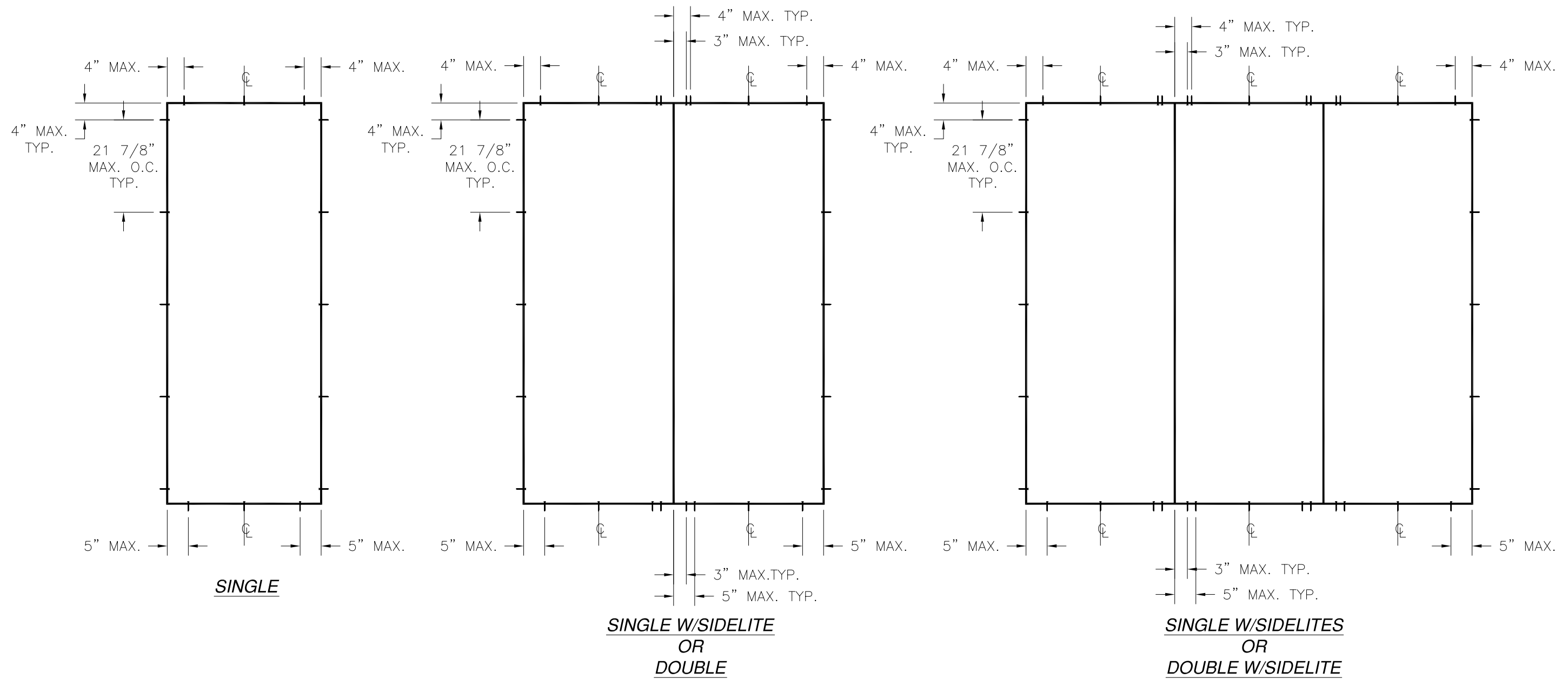
DRAWN: V.L.	DWG NO. 08-02389	REV A
SCALE NTS	DATE 07/01/14	SHEET 2 OF 7

L. ROBERTO LOMAS P.E.  
1432 WOODFORD RD LEWISVILLE, NC 27023  
434-688-0609 rllomas@rlomaspe.com



Luis R. Lomas P.E.  
TX No.: 101889

REVISIONS			
REV	DESCRIPTION	DATE	APPROVED
A	UPDATED PER NEW CODES	09/29/2021	R.L.



SIGNED: 09/29/2021

NAN YA PLASTICS CORP. USA  
 8989 NORTH LOOP EAST  
 HOUSTON, TX 77029

SERIES NAN YA 8'0 IN-SWING HINGED 3/4 LITE  
 FIBERGLASS PATIO DOOR W/ & W/O SIDELITES  
 ANCHORING LAYOUTS

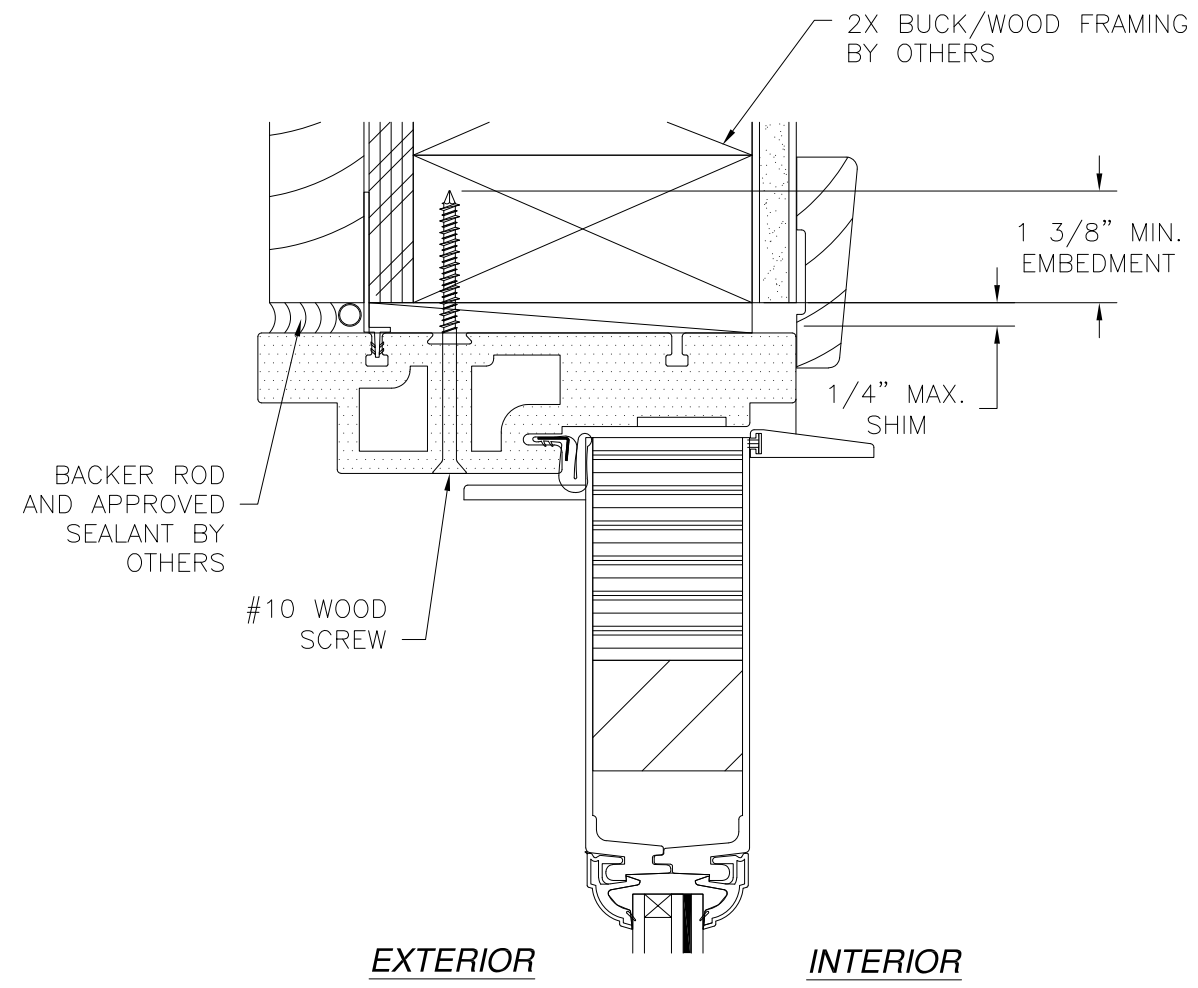
DRAWN: V.L.	DWG NO. 08-02389	REV A
SCALE NTS	DATE 07/01/14	SHEET 3 OF 7

L. ROBERTO LOMAS P.E.  
 1432 WOODFORD RD LEWISVILLE, NC 27023  
 434-688-0609 rllomas@rlomaspe.com

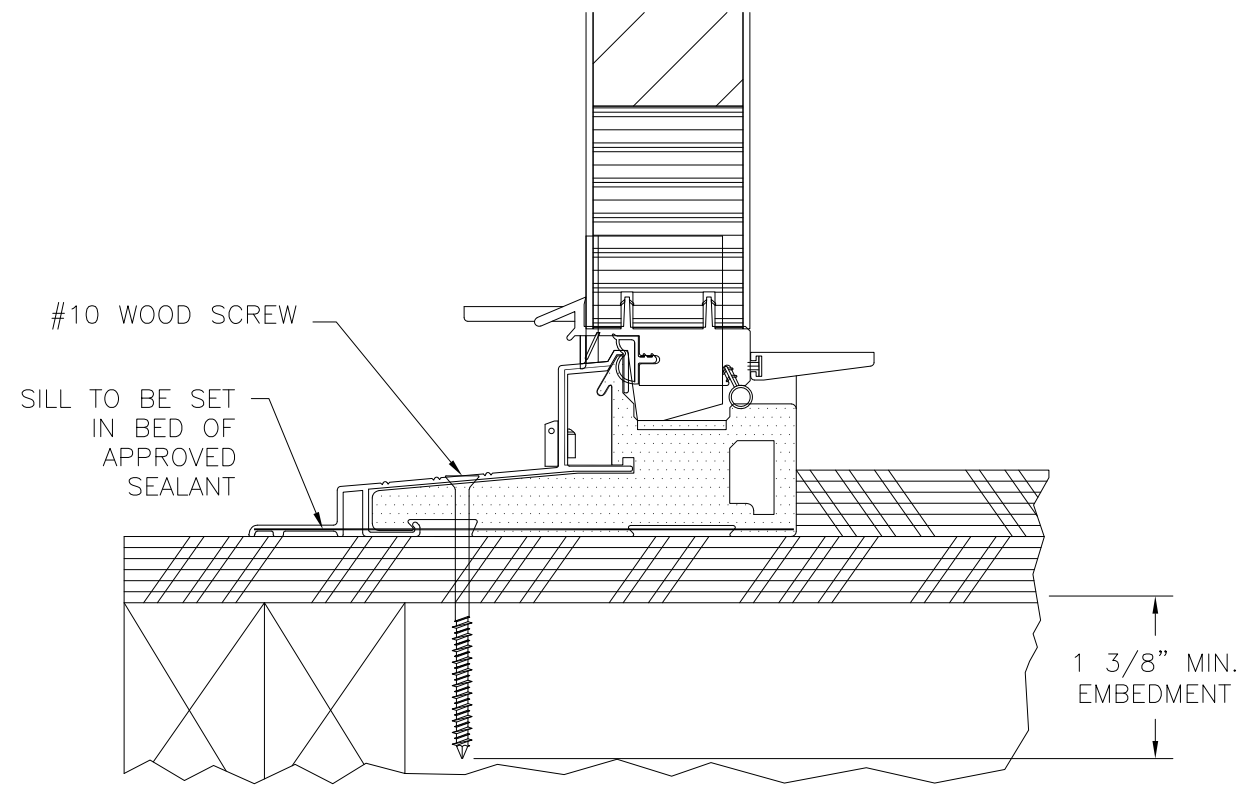


Luis R. Lomas P.E.  
 TX No.: 101889

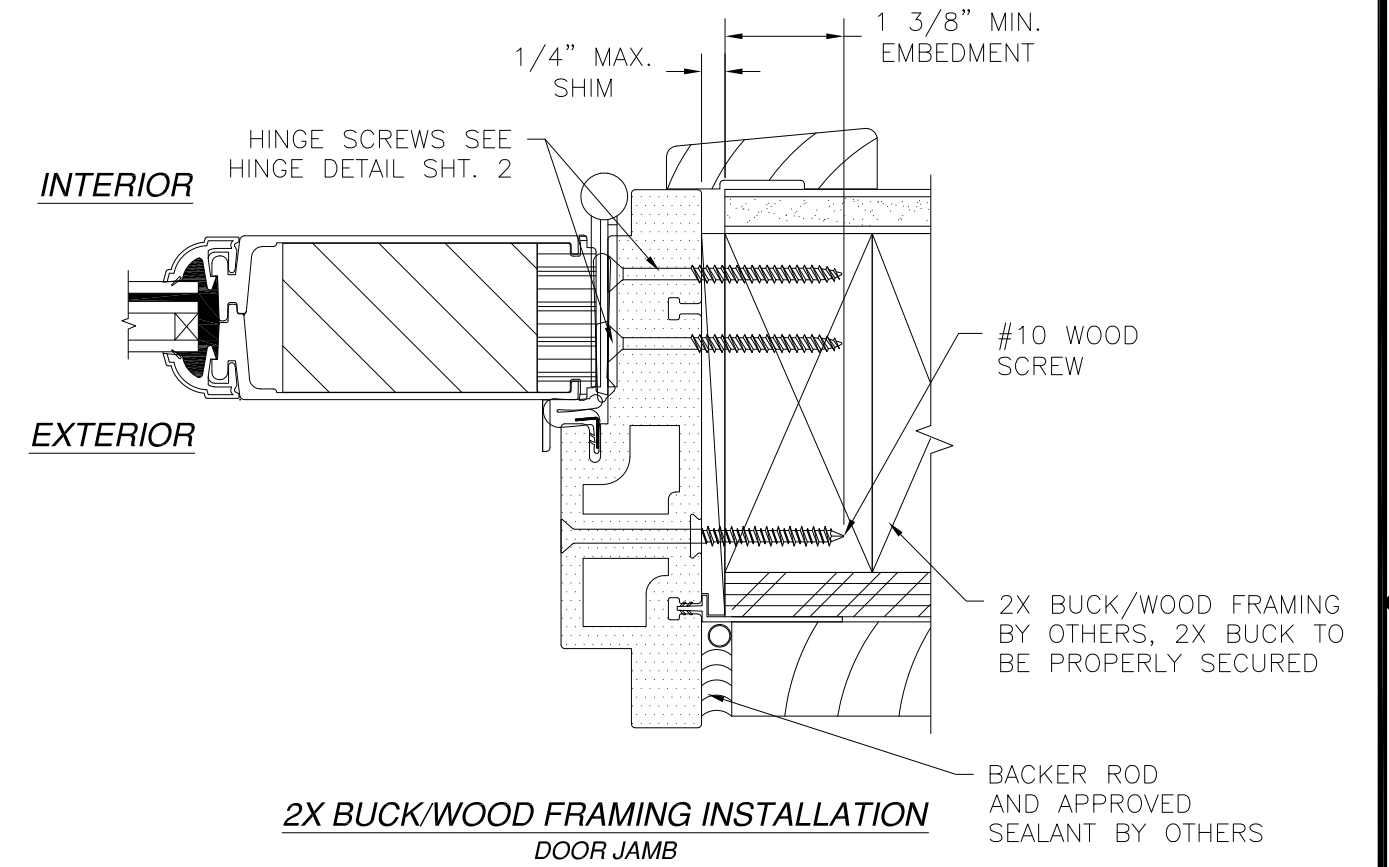
REVISIONS			
REV	DESCRIPTION	DATE	APPROVED
A	UPDATED PER NEW CODES	09/29/2021	R.L.



**EXTERIOR**                      **INTERIOR**



**2X BUCK/WOOD FRAMING INSTALLATION**  
**DOOR**



**2X BUCK/WOOD FRAMING INSTALLATION**  
**DOOR JAMB**

**NOTE:**  
 INTERIOR AND EXTERIOR FINISHES, BY OTHERS, NOT SHOWN FOR CLARITY.  
 ANCHORS MAY BE INSTALLED INSIDE OR OUTSIDE FRAME.

**SIGNED: 09/29/2021**

**NAN YA PLASTICS CORP. USA**  
 8989 NORTH LOOP EAST  
 HOUSTON, TX 77029

---

SERIES NAN YA 8'0 IN-SWING HINGED 3/4 LITE  
 FIBERGLASS PATIO DOOR W/ & W/O SIDELITES  
 INSTALLATION DETAILS

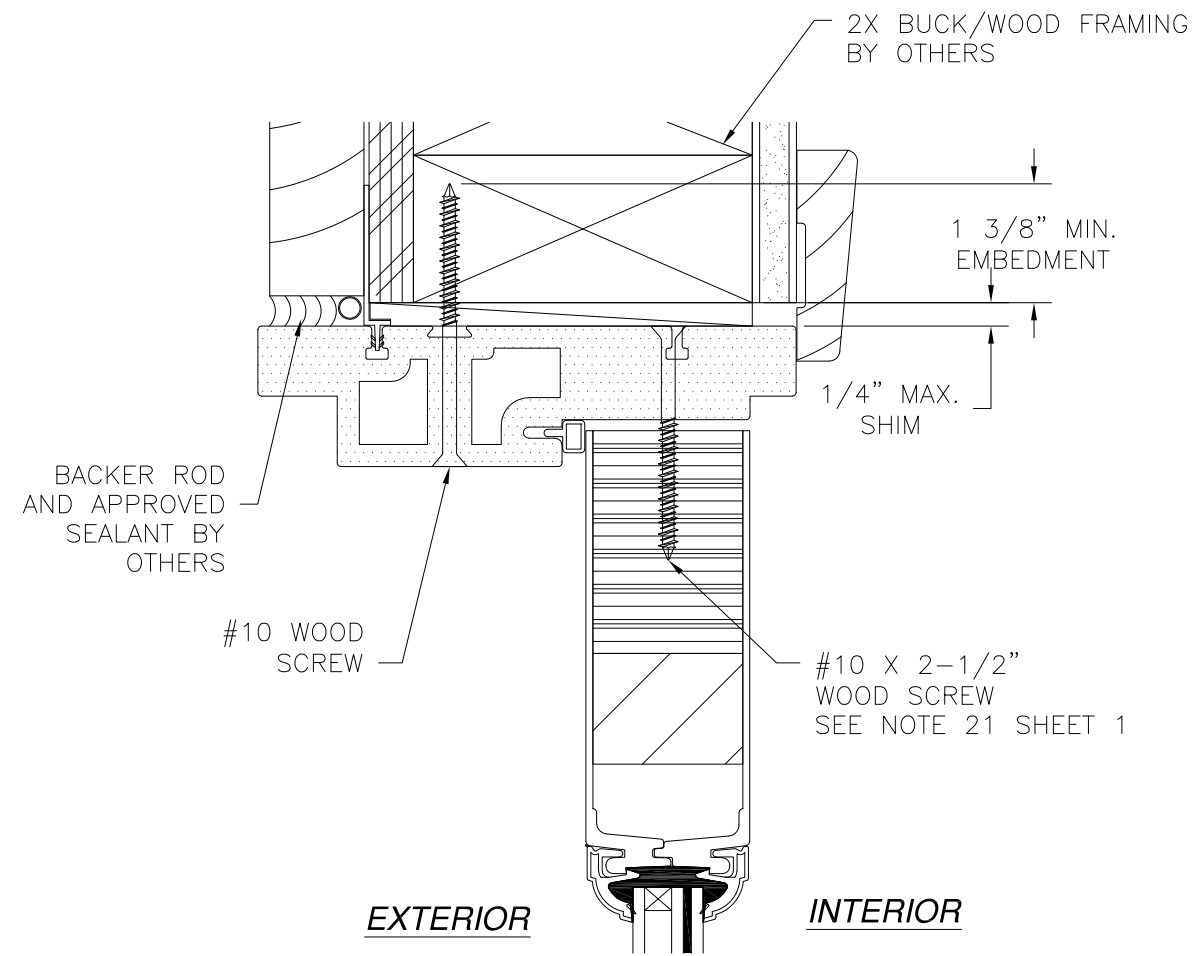
DRAWN: V.L.	DWG NO. 08-02389	REV A
SCALE NTS	DATE 07/01/14	SHEET 4 OF 7

L. ROBERTO LOMAS P.E.  
 1432 WOODFORD RD LEWISVILLE, NC 27023  
 434-688-0609 rllomas@rlomaspe.com

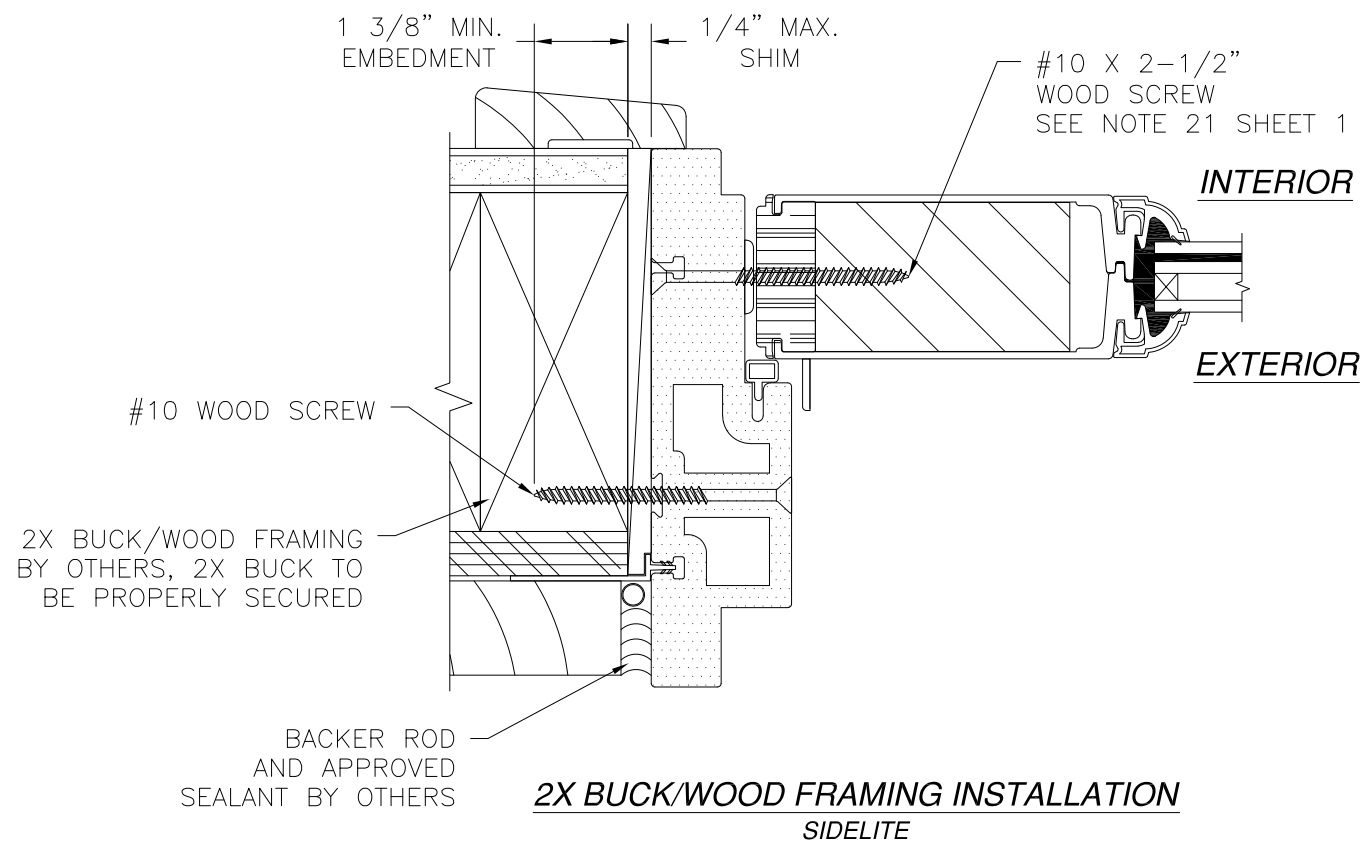


Luis R. Lomas P.E.  
 TX No.: 101889

REVISIONS			
REV	DESCRIPTION	DATE	APPROVED
A	UPDATED PER NEW CODES	09/29/2021	R.L.

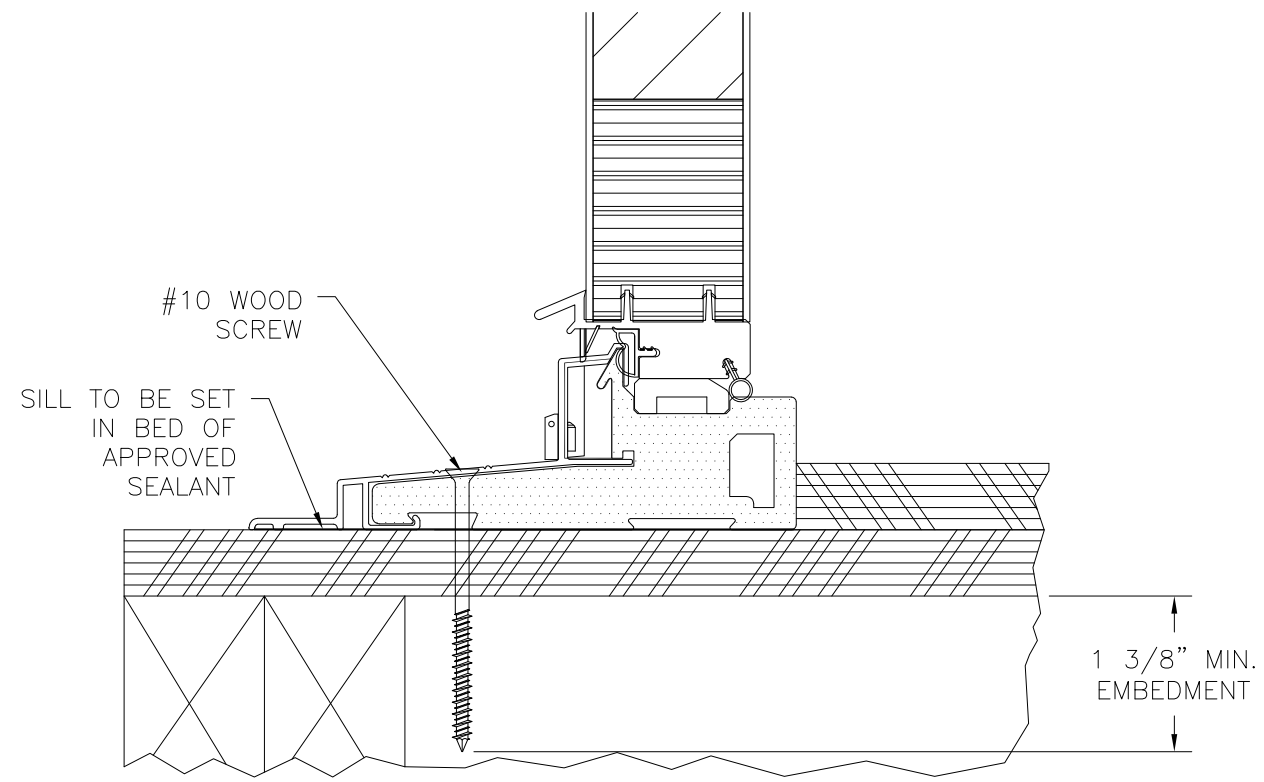


**EXTERIOR** **INTERIOR**



**2X BUCK/WOOD FRAMING INSTALLATION SIDELITE**

**NOTE:**  
 INTERIOR AND EXTERIOR FINISHES, BY OTHERS, NOT SHOWN FOR CLARITY.  
 ANCHORS MAY BE INSTALLED INSIDE OR OUTSIDE FRAME.



**2X BUCK/WOOD FRAMING INSTALLATION SIDELITE**

SIGNED: 09/29/2021

NAN YA PLASTICS CORP. USA  
 8989 NORTH LOOP EAST  
 HOUSTON, TX 77029

SERIES NAN YA 8'0 IN-SWING HINGED 3/4 LITE FIBERGLASS PATIO DOOR W/ & W/O SIDELITES INSTALLATION DETAILS

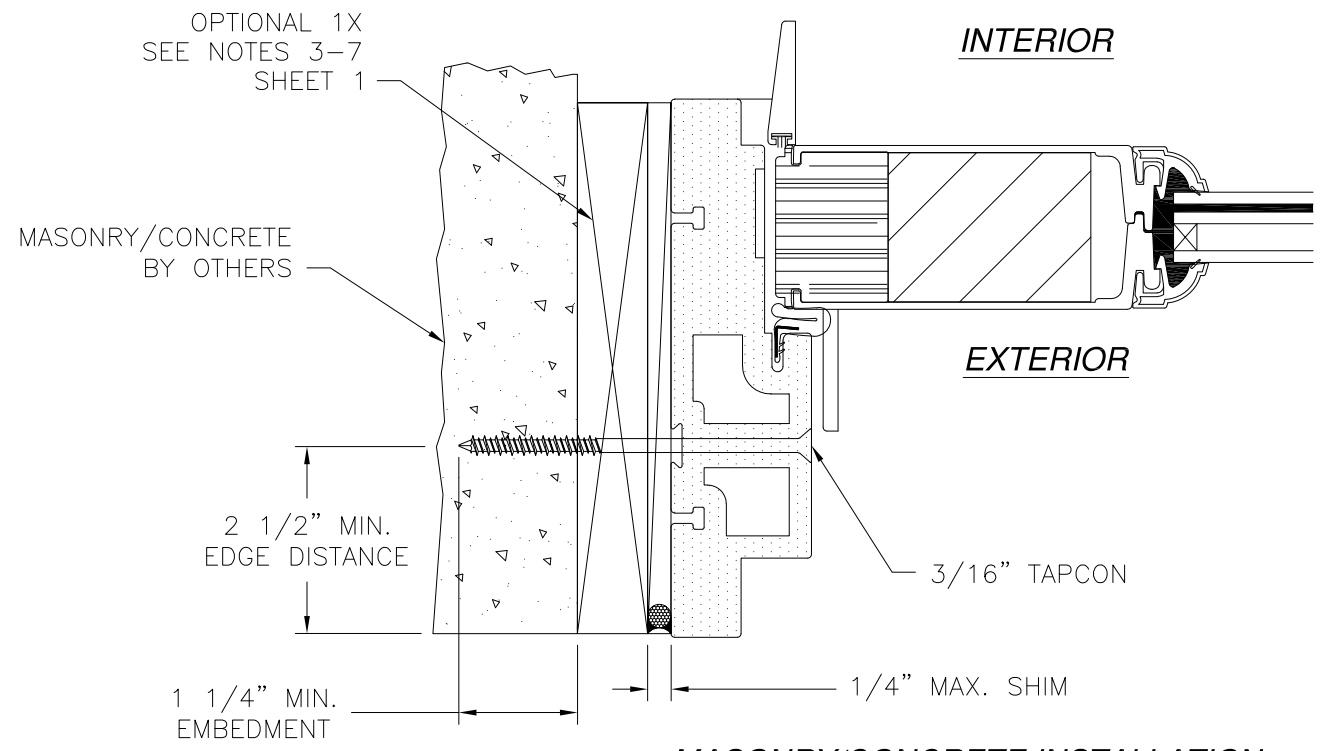
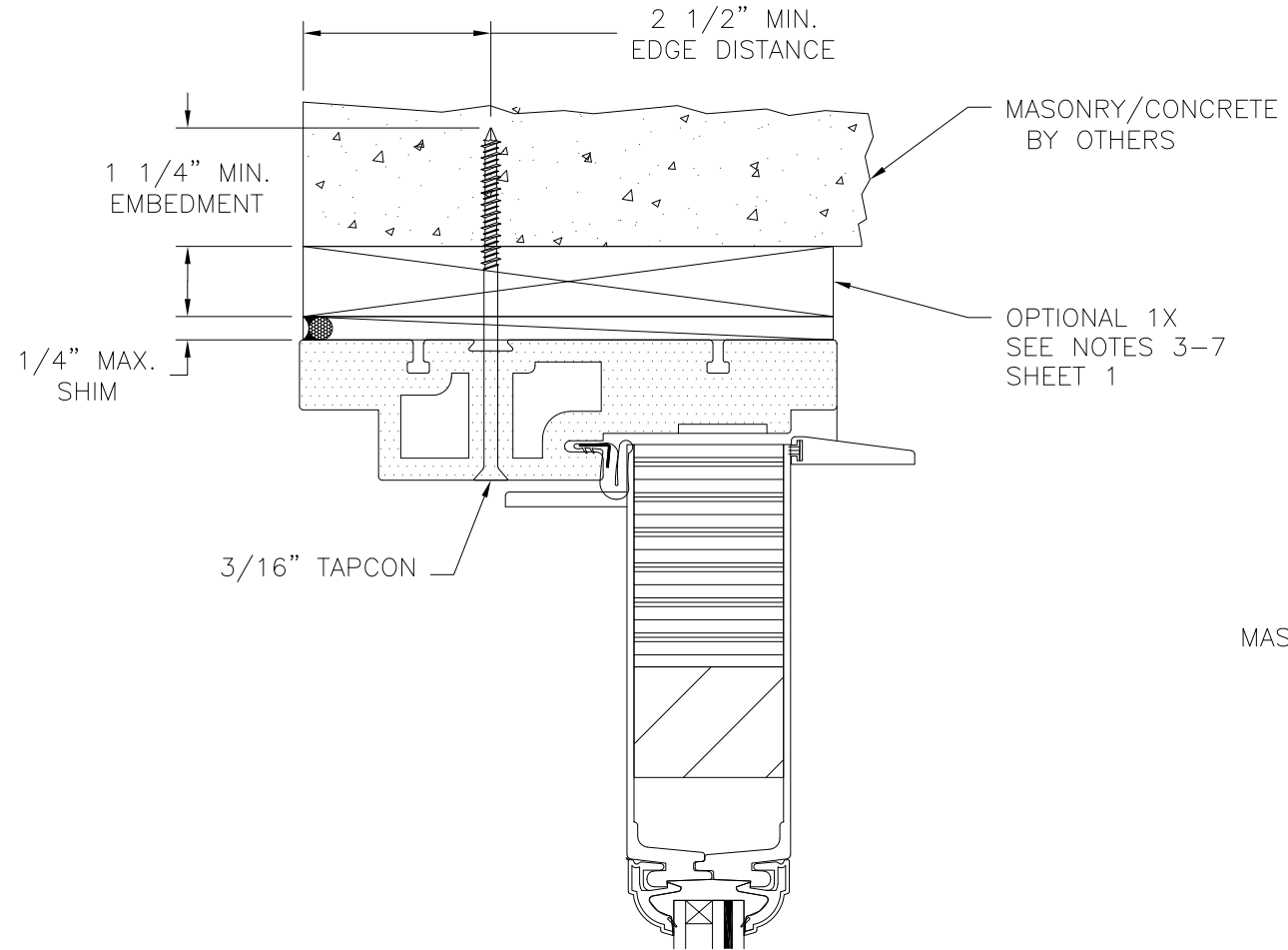
DRAWN: V.L.	DWG NO. 08-02389	REV A
SCALE NTS	DATE 07/01/14	SHEET 5 OF 7

L. ROBERTO LOMAS P.E.  
 1432 WOODFORD RD LEWISVILLE, NC 27023  
 434-688-0609 rllomas@lrlomaspe.com



Luis R. Lomas P.E.  
 TX No.: 101889

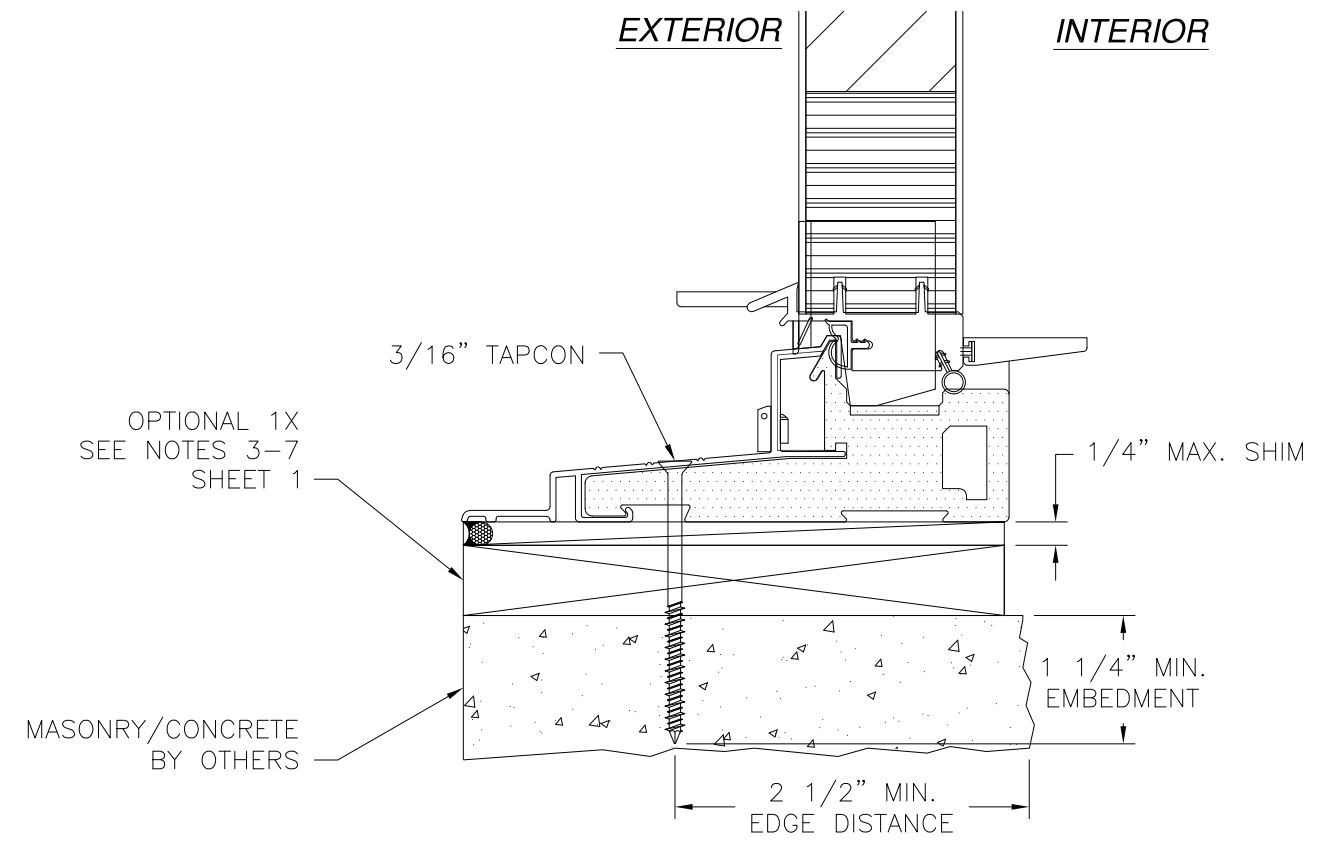
REVISIONS			
REV	DESCRIPTION	DATE	APPROVED
A	UPDATED PER NEW CODES	09/29/2021	R.L.



**MASONRY/CONCRETE INSTALLATION**  
DOOR JAMB

**NOTE:**  
INTERIOR AND EXTERIOR FINISHES, BY OTHERS, NOT SHOWN FOR CLARITY.  
ANCHORS MAY BE INSTALLED INSIDE OR OUTSIDE FRAME.

SIGNED: 09/29/2021



**MASONRY/CONCRETE INSTALLATION**  
DOOR

**NAN YA PLASTICS CORP. USA**  
8989 NORTH LOOP EAST  
HOUSTON, TX 77029

---

SERIES NAN YA 8'0 IN-SWING HINGED 3/4 LITE  
FIBERGLASS PATIO DOOR W/ & W/O SIDELITES  
INSTALLATION DETAILS

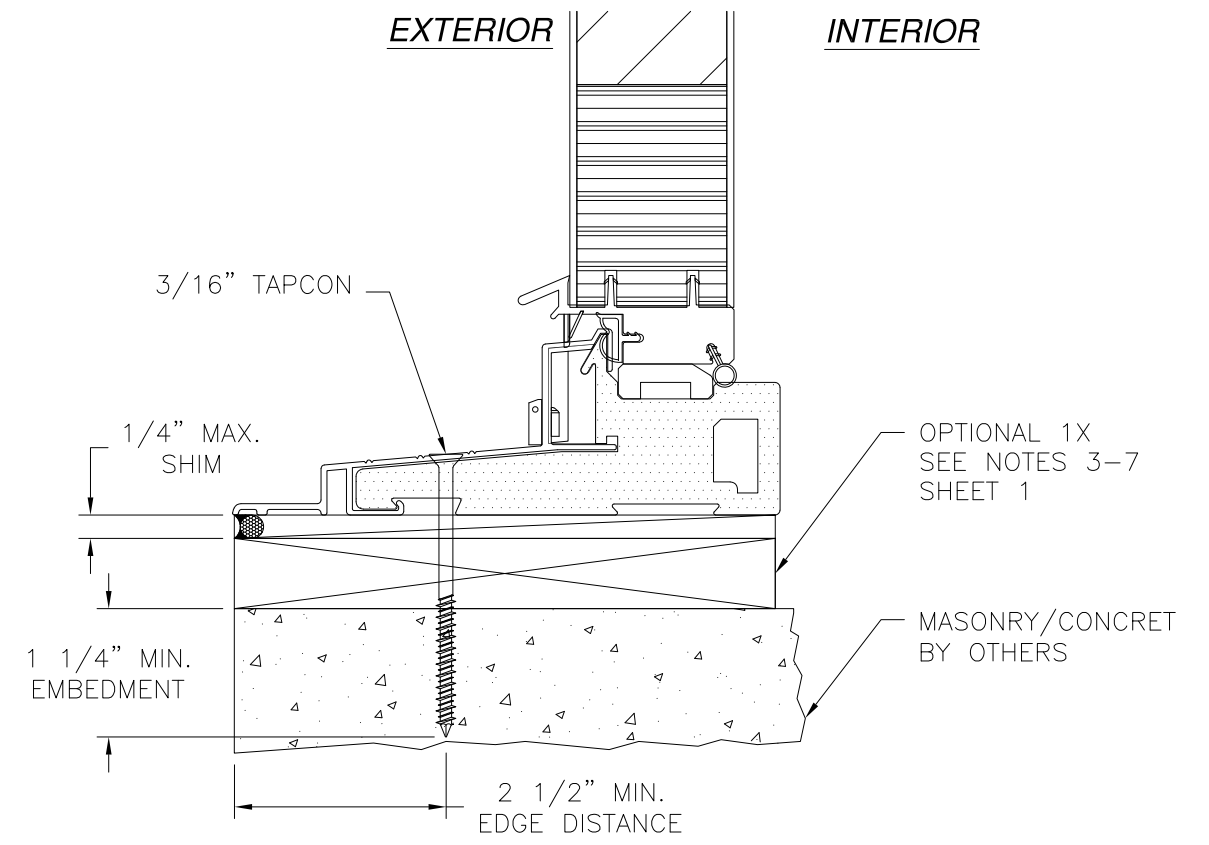
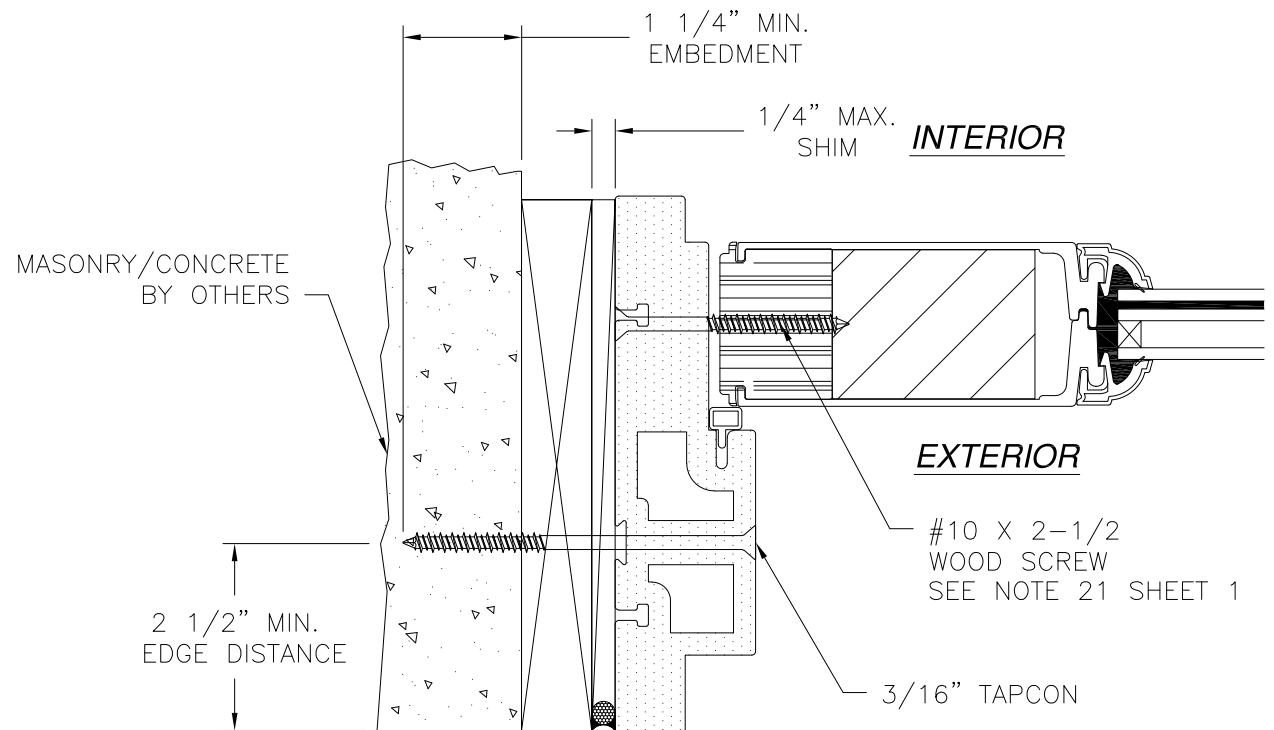
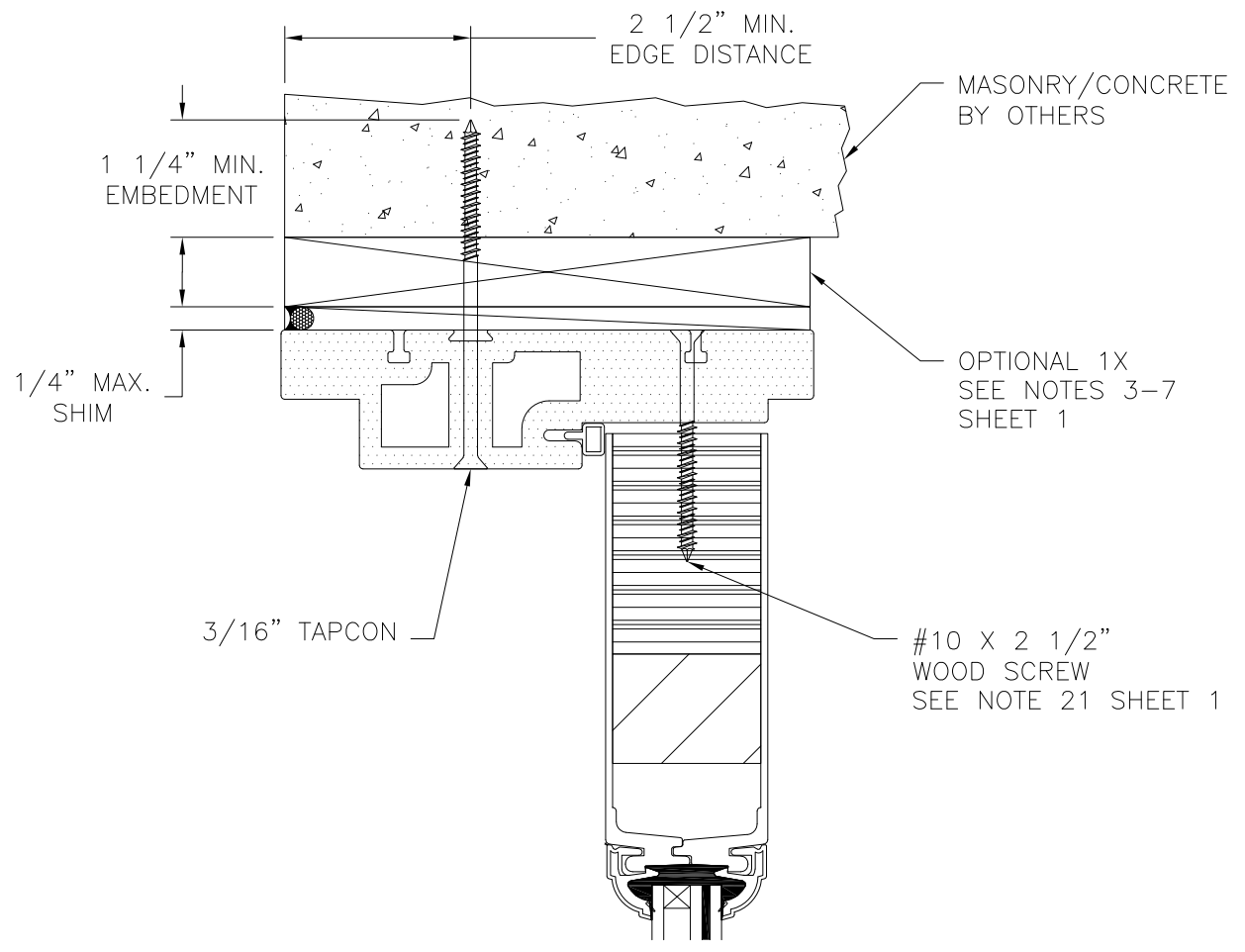
DRAWN: V.L.	DWG NO. 08-02389	REV A
SCALE NTS	DATE 07/01/14	SHEET 6 OF 7

L. ROBERTO LOMAS P.E.  
1432 WOODFORD RD LEWISVILLE, NC 27023  
434-688-0609 rllomas@rlomaspe.com



Luis R. Lomas P.E.  
TX No.: 101889

REVISIONS			
REV	DESCRIPTION	DATE	APPROVED
A	UPDATED PER NEW CODES	09/29/2021	R.L.



**MASONRY/CONCRETE INSTALLATION SIDELITE JAMB**

**MASONRY/CONCRETE INSTALLATION SIDELITE**

**NOTE:**  
 INTERIOR AND EXTERIOR FINISHES, BY OTHERS, NOT SHOWN FOR CLARITY.  
 ANCHORS MAY BE INSTALLED INSIDE OR OUTSIDE FRAME.

SIGNED: 09/29/2021

NAN YA PLASTICS CORP. USA  
 8989 NORTH LOOP EAST  
 HOUSTON, TX 77029

SERIES NAN YA 8'0 IN-SWING HINGED 3/4 LITE FIBERGLASS PATIO DOOR W/ & W/O SIDELITES INSTALLATION DETAILS

DRAWN: V.L.	DWG NO. 08-02389	REV A
SCALE NTS	DATE 07/01/14	SHEET 7 OF 7

L. ROBERTO LOMAS P.E.  
 1432 WOODFORD RD LEWISVILLE, NC 27023  
 434-688-0609 rllomas@rlomaspe.com



Luis R. Lomas P.E.  
 TX No.: 101889