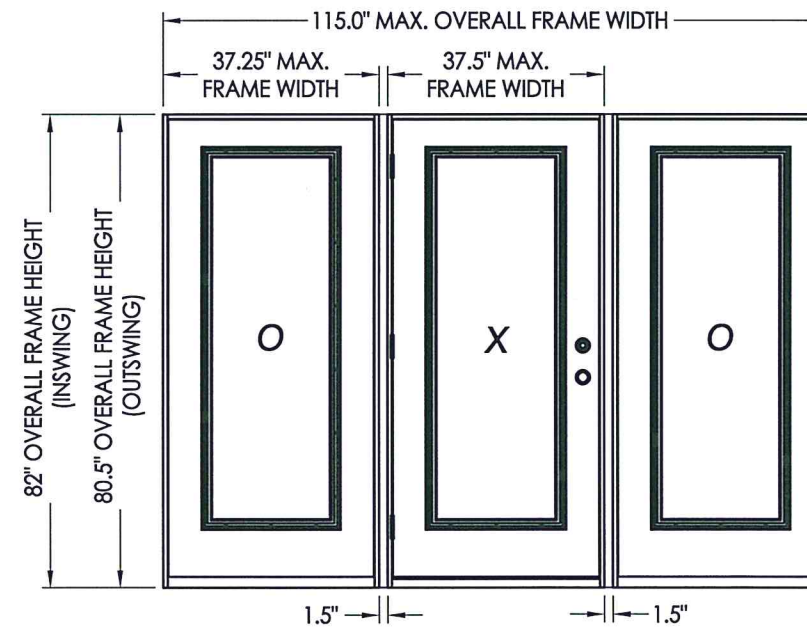
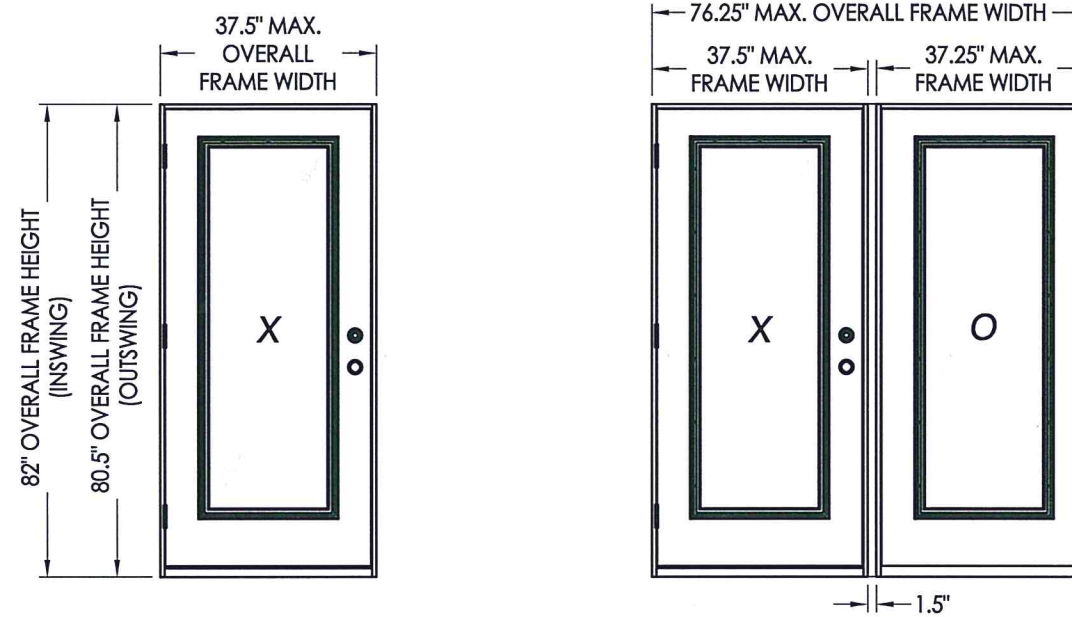




AMERICA'S DOORMAKER  
631 N. FIRST ST. WEST BRANCH, MI 48661

# GLAZED STEEL DOORS SINGLES w/ or w/o SIDELITES IN SWING / OUT SWING "IMPACT"



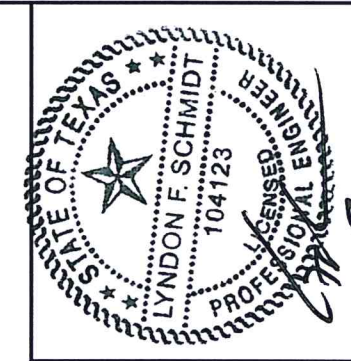
### EVALUATED FOR USE IN THE STATE OF TEXAS

The Steel Door system described herein complies with the 2018 International Residential Code (IRC), Sections R301 & R609 and the 2018 International Building Code (IBC), Sections 1404.13, 1609, 1709.5, 2403 and 2404 subject to the following conditions:

1. Anchors shall be as listed and spaced as shown in the details. Anchor embedment to base material shall be beyond wall dressing or stucco.
2. This system has been tested and evaluated as a large missile impact protective system for installation in areas that require wind borne debris protection. This product meets missile level "D" as defined in ASTM E 1996.
3. Allowable design pressure requirements must be equal to or less than the design pressure rating shown in the design pressure chart, sheet 1 of this drawing.
4. Conditions not covered by this drawing are subject to further engineering analysis.

TABLE OF CONTENTS	
SHEET#	DESCRIPTION
1	Typical elevations, design pressures & general notes
2	Door & Sidelite panel details
3	Elevations
4	Vertical cross sections
5	Horizontal cross sections
6	Frame anchoring & hardware details
7	Bill of materials and components

CONFIG.	MAX. FRAME DIMENSION	DESIGN PRESSURE (PSF) INSWING		DESIGN PRESSURE (PSF) OUTSWING	
		POS.	NEG.	POS.	NEG.
X	37.5" x 82.0"				
OX / XO	76.25" x 82.0"	+50.0	-55.0	+50.0	-55.0
OXO	115.0" x 82.0"				



Documents Prepared By: Lyndon F. Schmidt, P.E.  
TEXAS P.E. #104123

RW BUILDING CONSULTANTS, INC.  
P.O. Box 230 Valrico FL 33595  
Phone No.: 813.659.9197

TEXAS BOARD OF PROFESSIONAL ENGINEERS  
CERTIFICATE OF REGISTRATION # F-11852

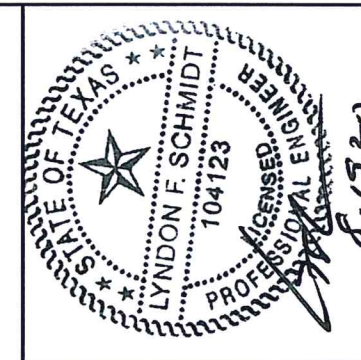
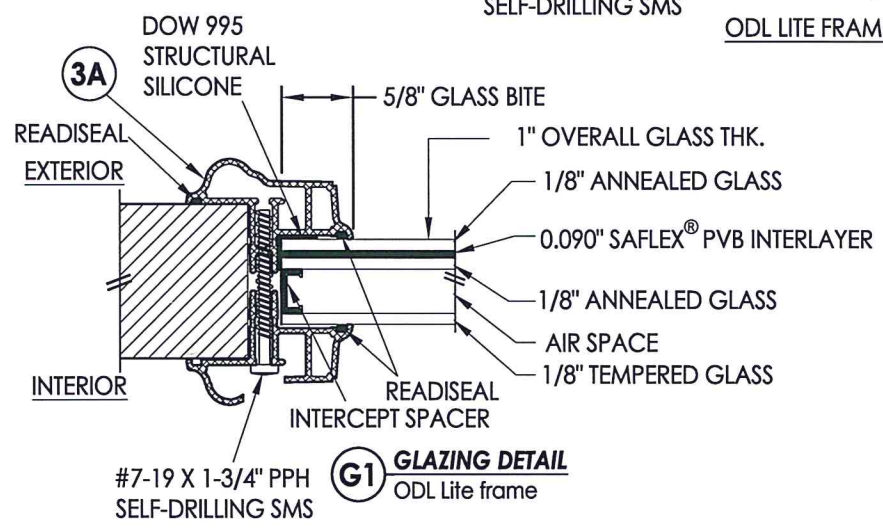
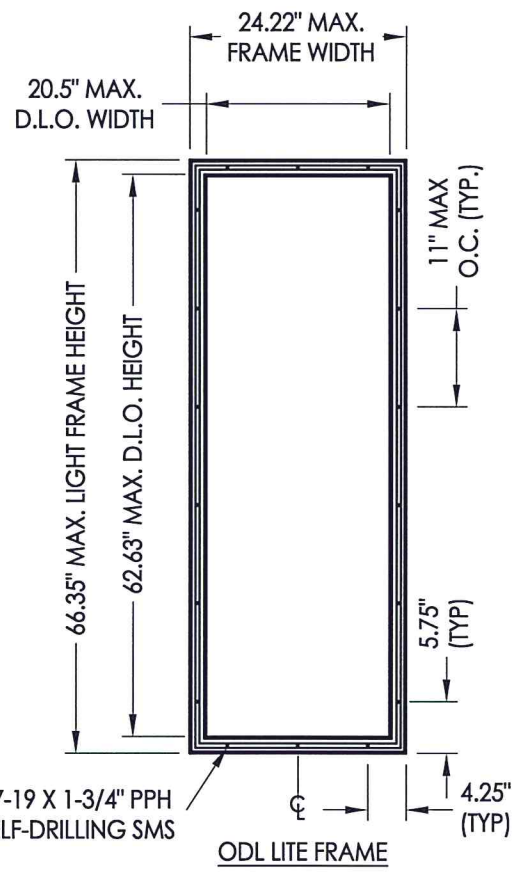
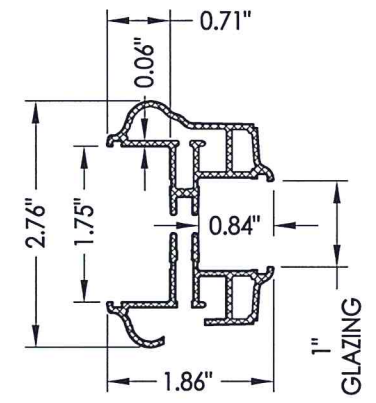
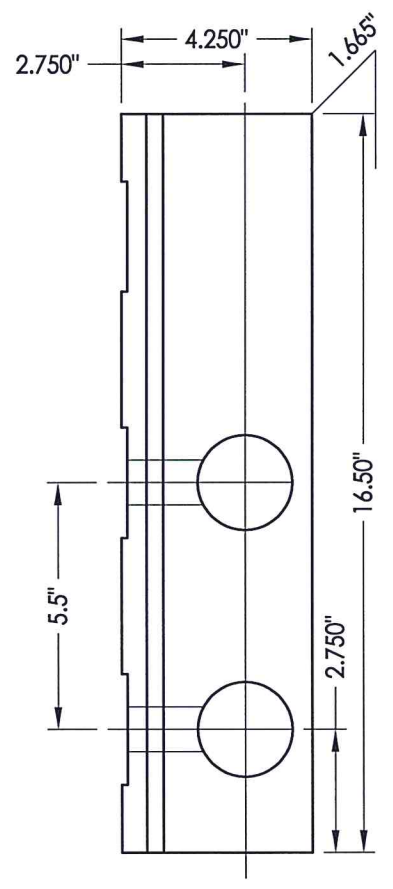
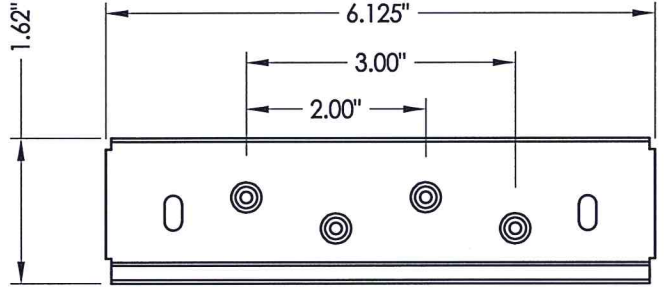
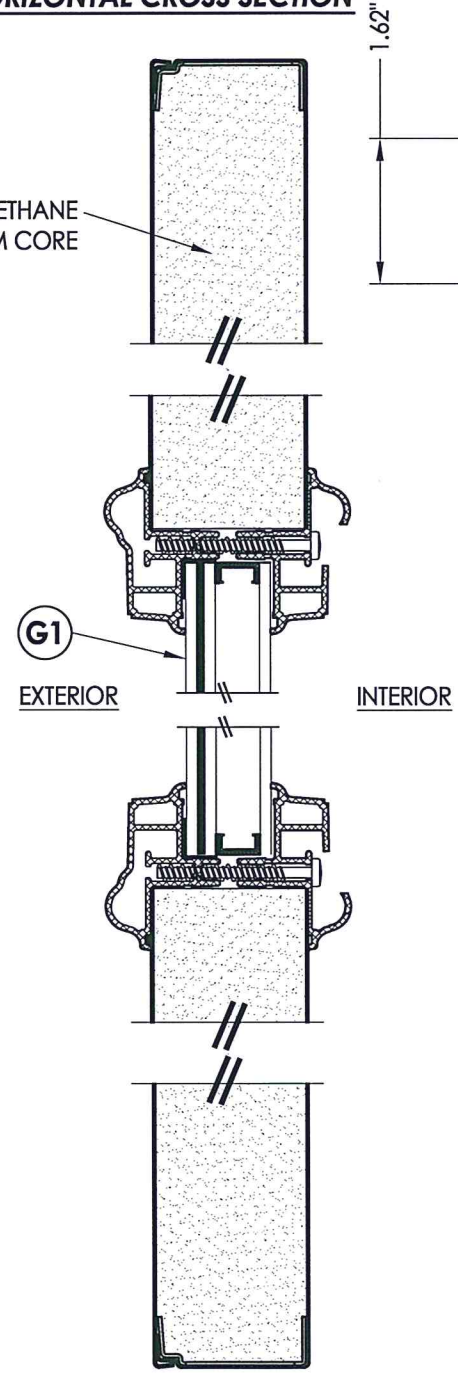
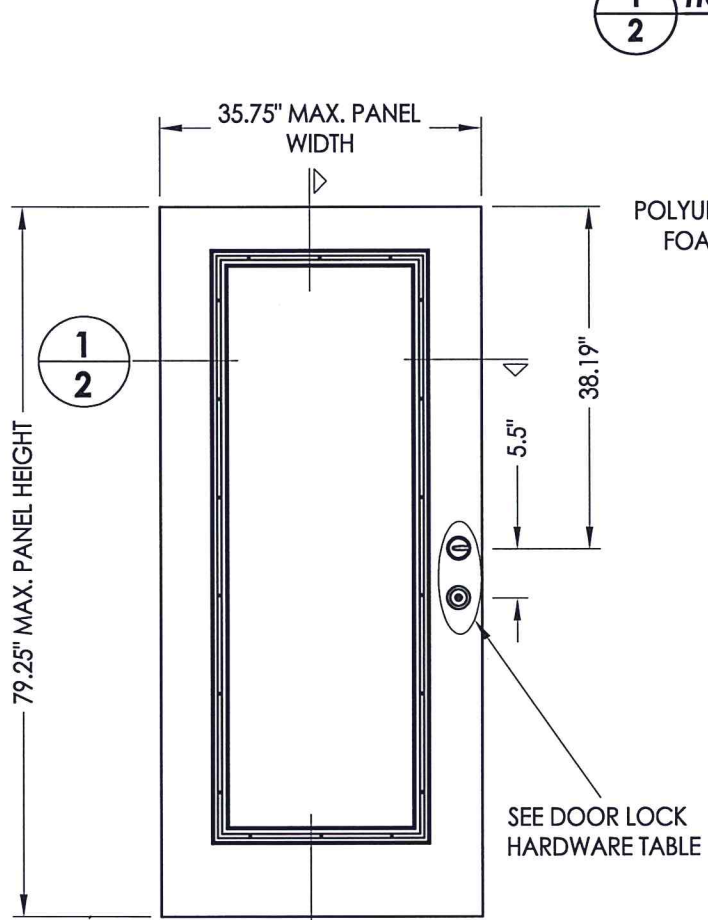
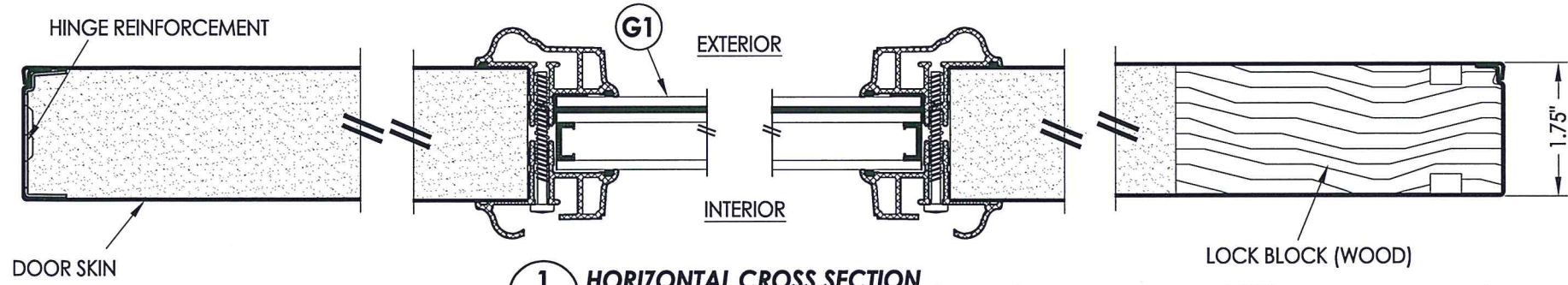
PRODUCT: TAYLOR DOOR STEEL DOOR

PART OR ASSEMBLY: TYPICAL ELEVATION, DESIGN PRESSURES & GENERAL NOTES

NO.	DATE	REVISIONS	BY
1	8/19/20	UPDATE TO 2018 IBC/IRC CODE	LFS

DATE: 11/11/14  
SCALE: N.T.S.  
DWG. BY: JK  
CHK. BY: LFS  
DRAWING NO.: TX-4504  
SHEET 1 OF 7





Documents Prepared By: Lyndon F. Schmidt, P.E.  
TEXAS P.E. #104123

**RW** BUILDING CONSULTANTS, INC.  
P.O. Box 230 Valrico FL, 33595  
Phone No.: 813.659.9197

TEXAS BOARD OF PROFESSIONAL ENGINEERS  
CERTIFICATE OF REGISTRATION # F-11852

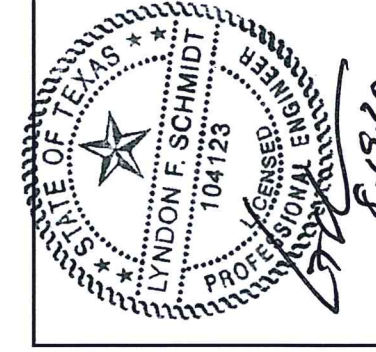
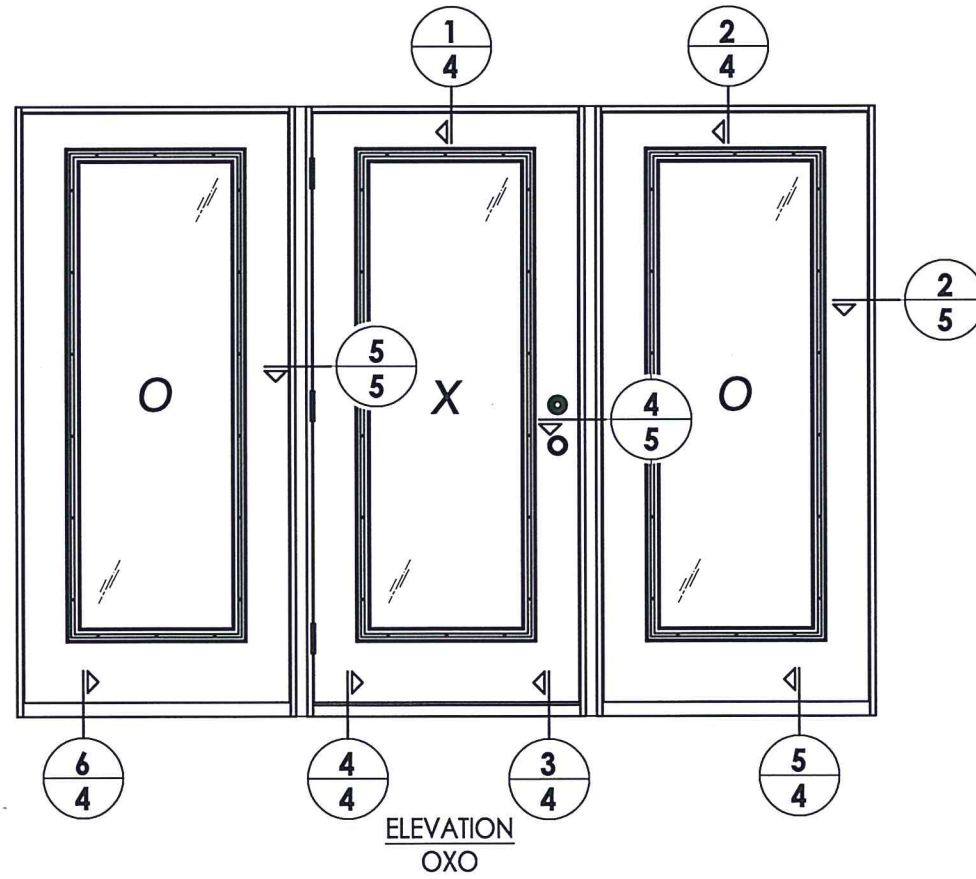
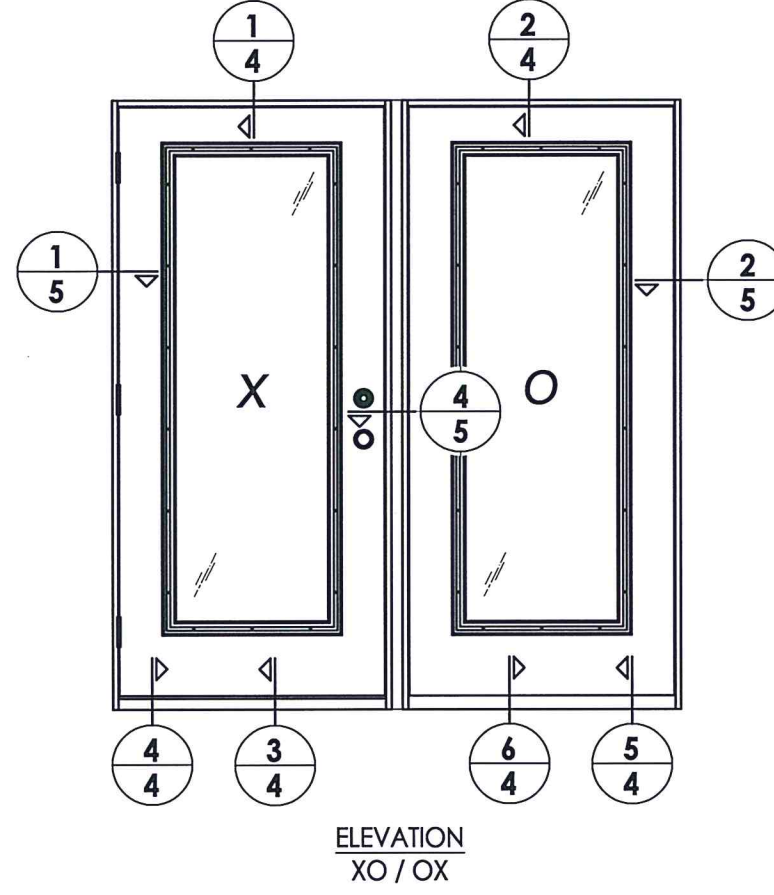
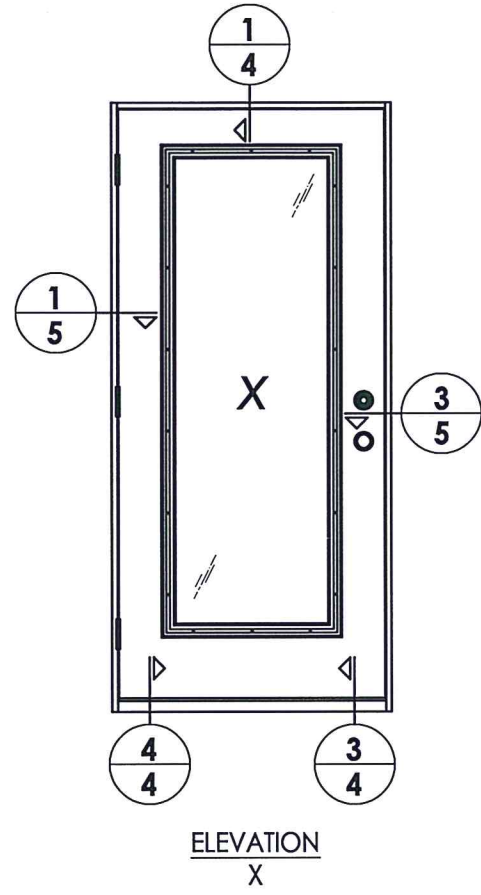
- 40** STEEL EDGE DOOR PANEL
- 50** TAYLOR SIDELITE PANEL

DOOR SKIN: 0.022" MIN. THK. STEEL  
CORE MATERIAL: POLYURETHANE FOAM

HARDWARE CHART	
MANUFACTURER	MODEL
YALE	KNOB: NEW TRADITIONS DEADBOLT: NEW TRADITIONS (800 SERIES)
SCHLAGE	KNOB/LEVER: "F" SERIES DEADBOLT: B60/62

PRODUCT:	TAYLOR DOOR STEEL DOOR		
PART OR ASSEMBLY:	SIDELITE PANEL DETAILS		
DATE	NO.	DATE	BY
11/11/14	1	8/19/20	LFS
UPDATE TO 2018 IBC/IRC CODE			
REVISIONS			
DATE:	11/11/14		
SCALE:	N.T.S.		
DWG. BY:	JK		
CHK. BY:	LFS		
DRAWING NO.:	TX-4504		
SHEET	2	OF 7	





Documents Prepared By: Lyndon F. Schmidt, P.E.  
TEXAS P.E. #104123

**RW** BUILDING CONSULTANTS, INC.  
P.O. Box 230 Valrico FL 33595  
Phone No.: 813.659.9197

TEXAS BOARD OF PROFESSIONAL ENGINEERS  
CERTIFICATE OF REGISTRATION # F-11852

PRODUCT: TAYLOR DOOR  
STEEL DOOR

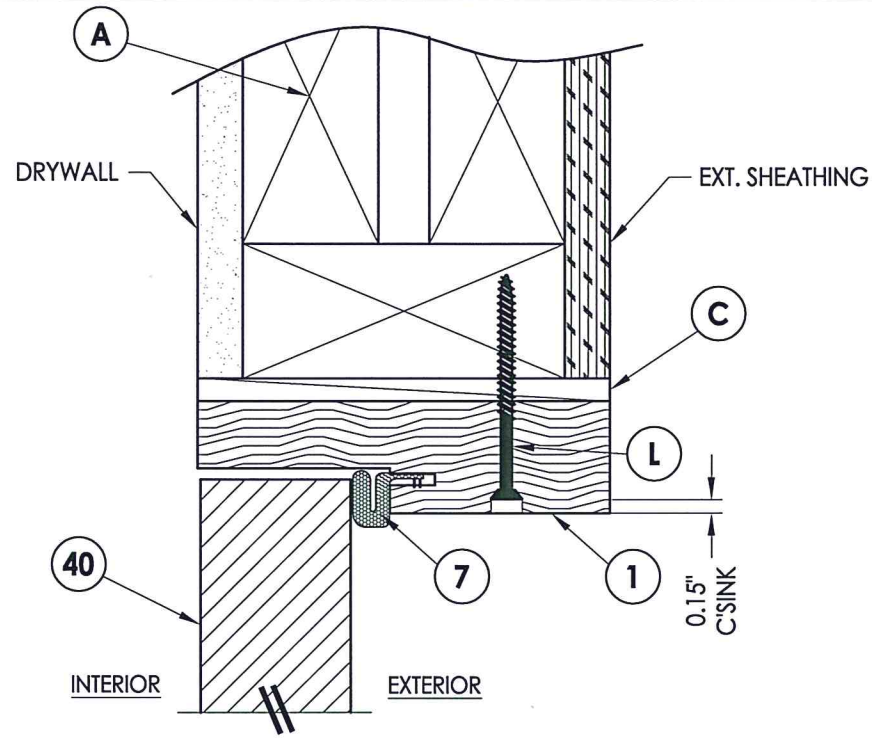
PART OR ASSEMBLY:  
ELEVATIONS

NO.	DATE	UPDATE TO 2018 IBC/IRC CODE	LFS	BY
1	8/19/20	UPDATE TO 2018 IBC/IRC CODE	LFS	BY

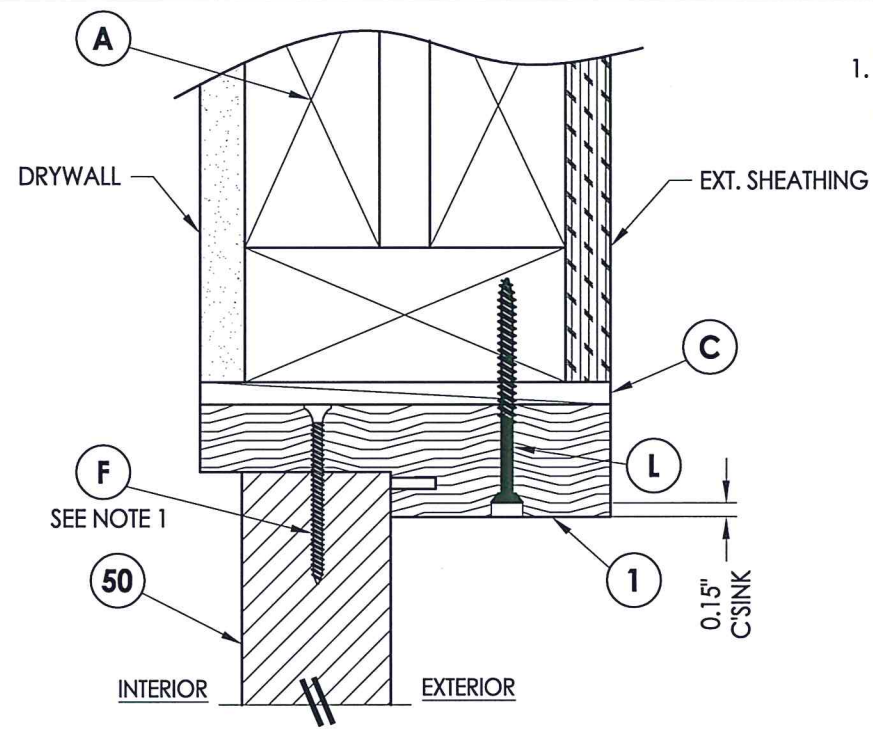
DATE: 11/11/14  
SCALE: N.T.S.  
DWG. BY: JK  
CHK. BY: LFS  
DRAWING NO.: TX-4504  
SHEET 3 OF 7



R:\Clients\Taylor Permanent\B - Texas Dept of Ins\TDI - DR 737 6'8 & 8'0 Glazed Steel Doors Impact\Drawings\TX-4504-07.dwg, 4.1

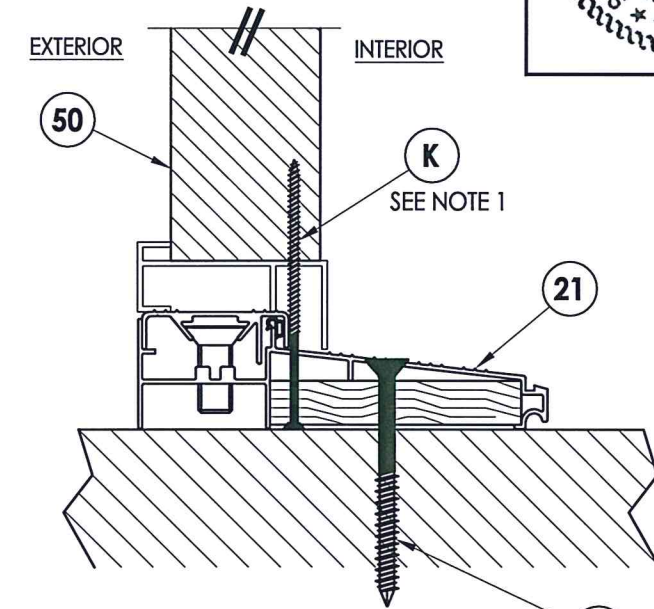


**1** VERTICAL CROSS SECTION  
**4** Inswing shown (Outswing similar)

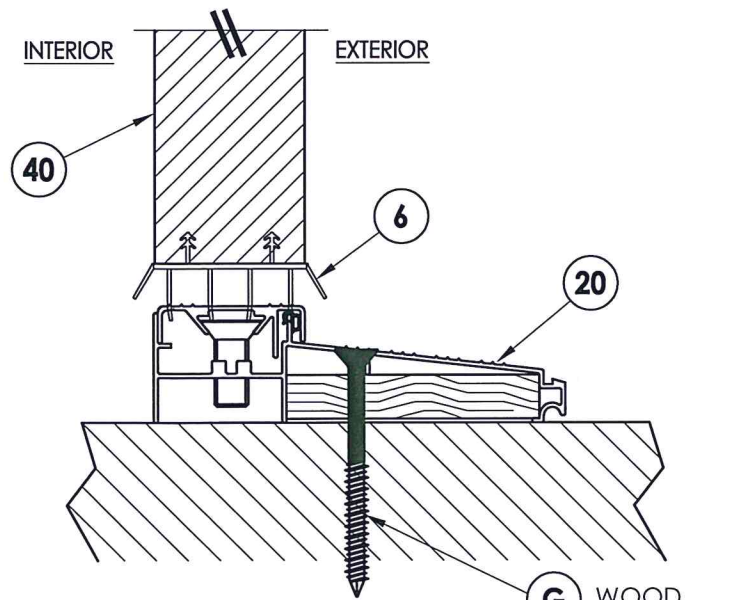


**2** VERTICAL CROSS SECTION  
**4** Inswing shown (Outswing similar)

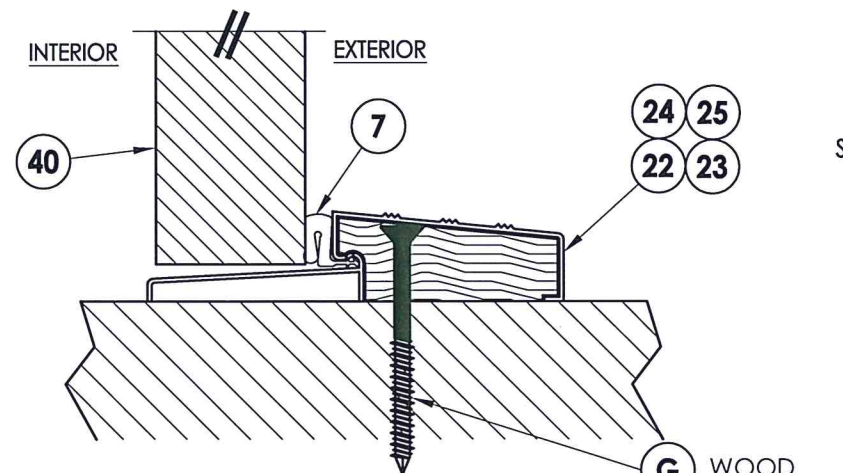
NOTE:  
 1. Spacing for item F or K @ head & sill: 6" from each end plus 1 @ centerline (3 total).



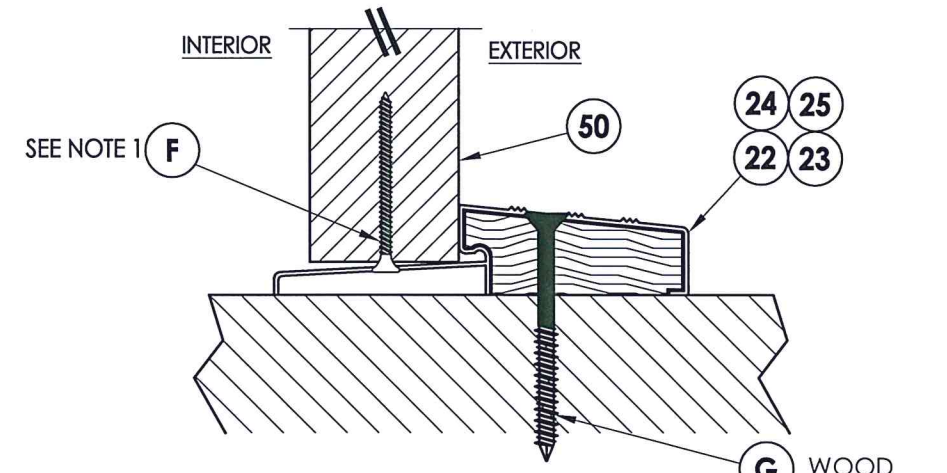
**5** VERTICAL CROSS SECTION  
**4** Inswing sill



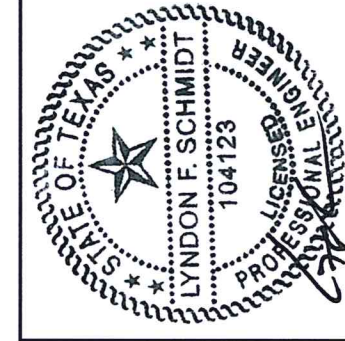
**3** VERTICAL CROSS SECTION  
**4** Inswing sill



**4** VERTICAL CROSS SECTION  
**4** Outswing sill



**6** VERTICAL CROSS SECTION  
**4** Outswing sill



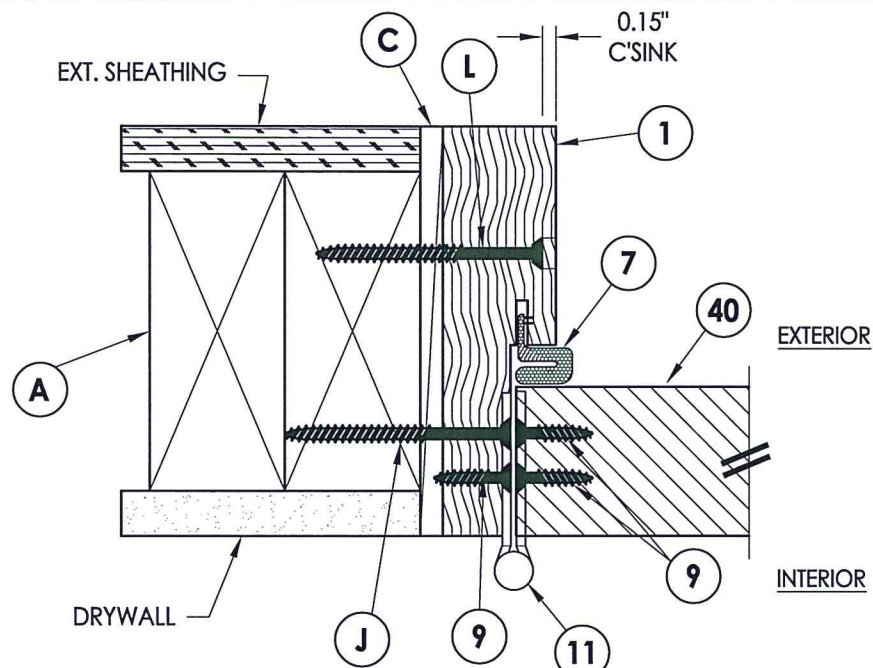
Documents Prepared By: Lyndon F. Schmidt, P.E.  
 TEXAS P.E. #104123

**RW** BUILDING CONSULTANTS, INC.  
 P.O. Box 230 Valrico FL 33595  
 Phone No.: 813.659.9197  
 TEXAS BOARD OF PROFESSIONAL ENGINEERS  
 CERTIFICATE OF REGISTRATION # F-11852

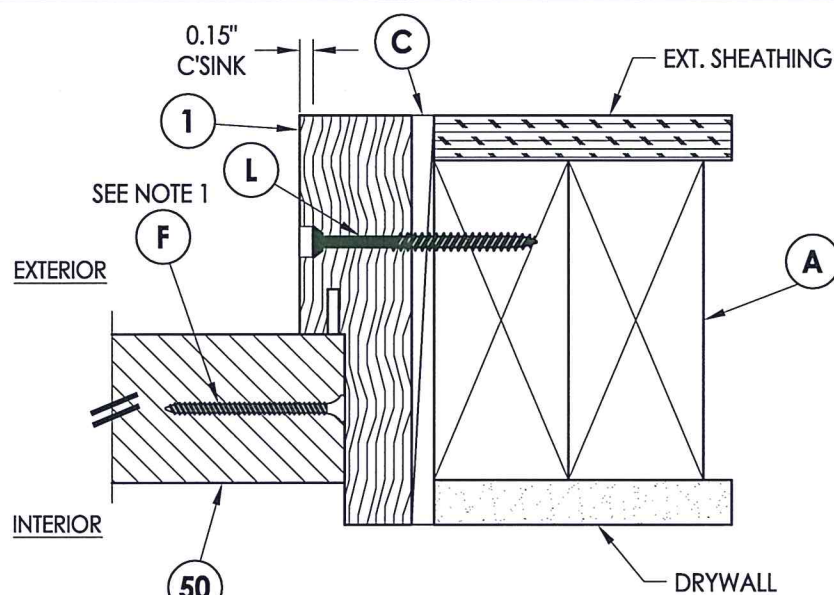
PRODUCT: TAYLOR DOOR STEEL DOOR		PART OR ASSEMBLY: VERTICAL CROSS SECTIONS	
NO.	DATE	DESCRIPTION	BY
1	8/19/20	UPDATE TO 2018 IBC/IRC CODE	LFS
DATE: 11/11/14		SCALE: N.T.S.	
DWG. BY: JK		CHK. BY: LFS	
DRAWING NO.: TX-4504		REVISIONS	
SHEET 4 OF 7			



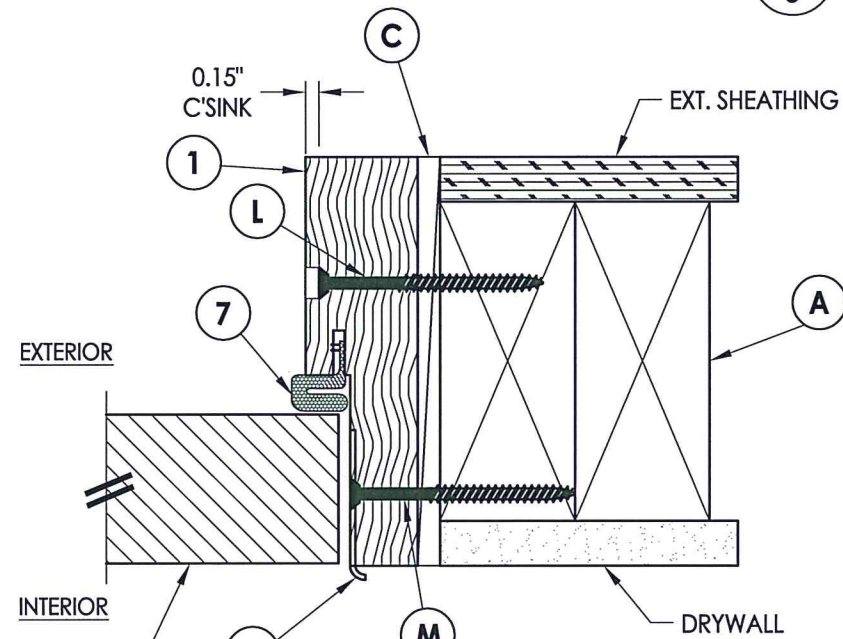
R:\Clients\Taylor Permanent\B - Texas Dept of Ins\TDI - DR 737 68 & 80 Glazed Steel Doors Impact\Drawings\TX-4504-07.dwg, 5.1



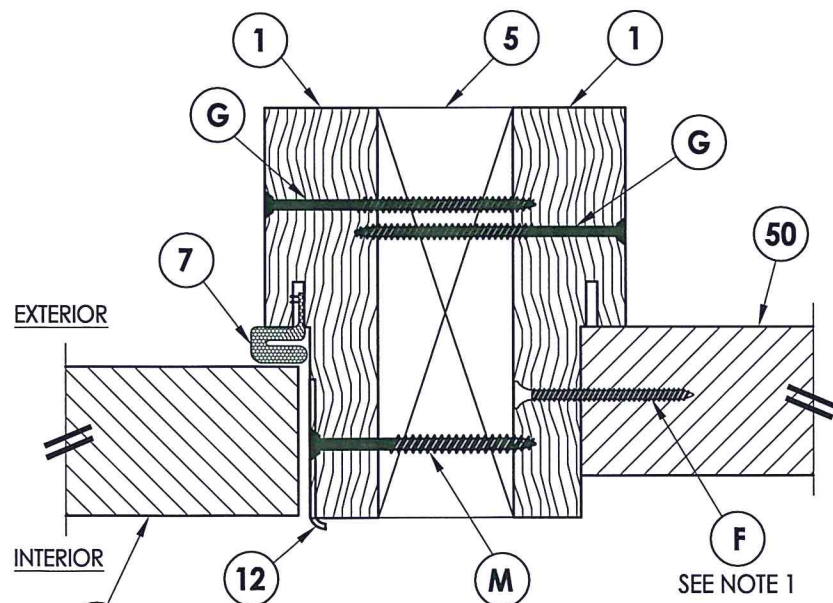
**1 HORIZONTAL CROSS SECTION**  
5 Inswing shown (Outswing similar)



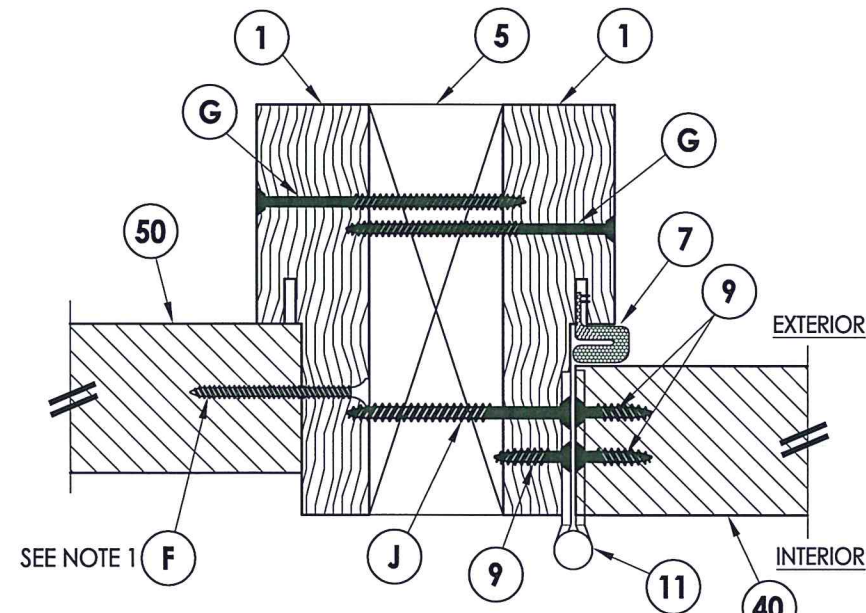
**2 HORIZONTAL CROSS SECTION**  
5 Inswing shown (Outswing similar)



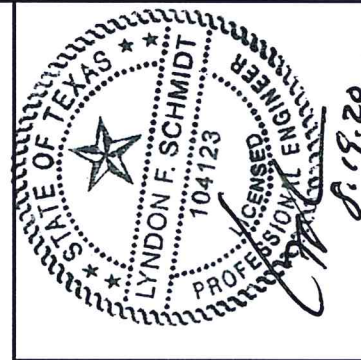
**3 HORIZONTAL CROSS SECTION**  
5 Inswing shown (Outswing similar)



**4 HORIZONTAL CROSS SECTION**  
5 Inswing shown (Outswing similar)



**5 HORIZONTAL CROSS SECTION**  
5 Inswing shown (Outswing similar)



NOTE:  
1. Spacing for item F: 6" from each end and 6 more equally spaced along sidelite jamb (8 total).

Documents Prepared By: Lyndon F. Schmidt, P.E.  
TEXAS P.E. #104123

**RW** BUILDING CONSULTANTS, INC.  
P.O. Box 230 Valrico FL 33595  
Phone No.: 813.659.9197

TEXAS BOARD OF PROFESSIONAL ENGINEERS  
CERTIFICATE OF REGISTRATION # F-11852

PRODUCT: TAYLOR DOOR  
STEEL DOOR

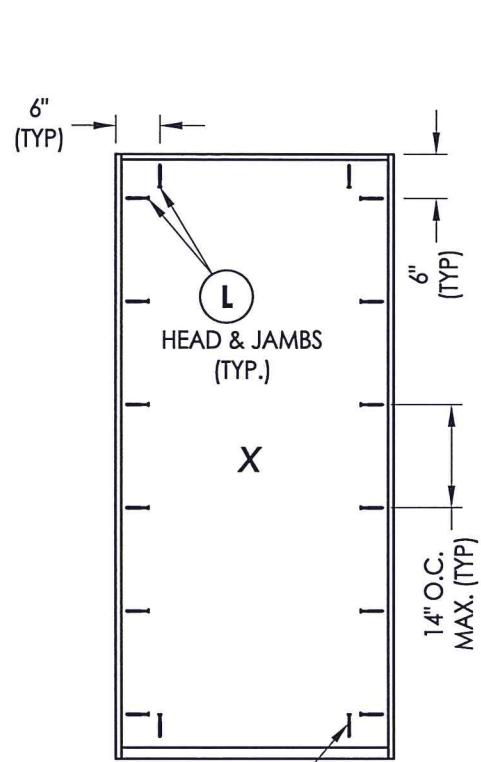
PART OR ASSEMBLY:  
HORIZONTAL CROSS  
SECTIONS

NO.	DATE	DESCRIPTION	BY
1	8/19/20	UPDATE TO 2018 IBC/IRC CODE	LFS

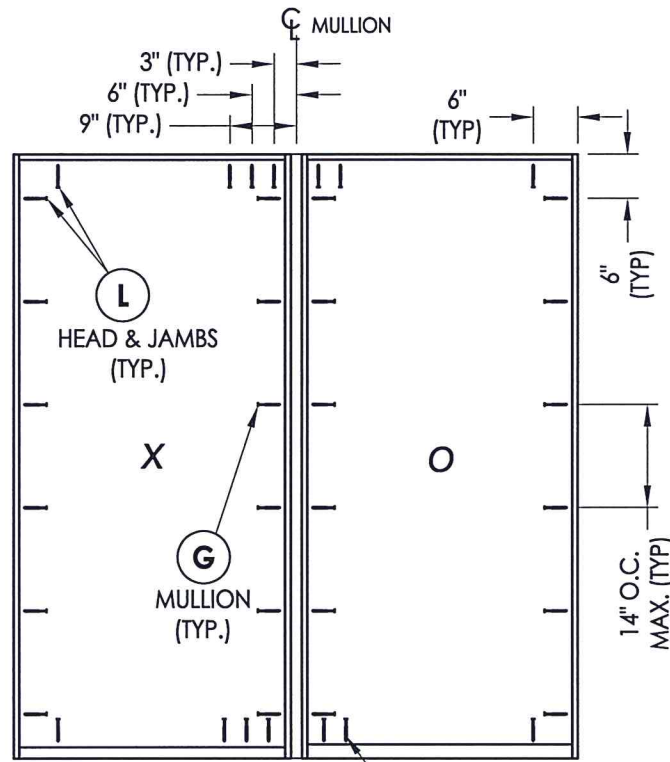
DATE: 11/11/14  
SCALE: N.T.S.  
DWG. BY: JK  
CHK. BY: LFS  
DRAWING NO.: TX-4504  
SHEET 5 OF 7

© 2014 R.W. BUILDING CONSULTANTS INC.

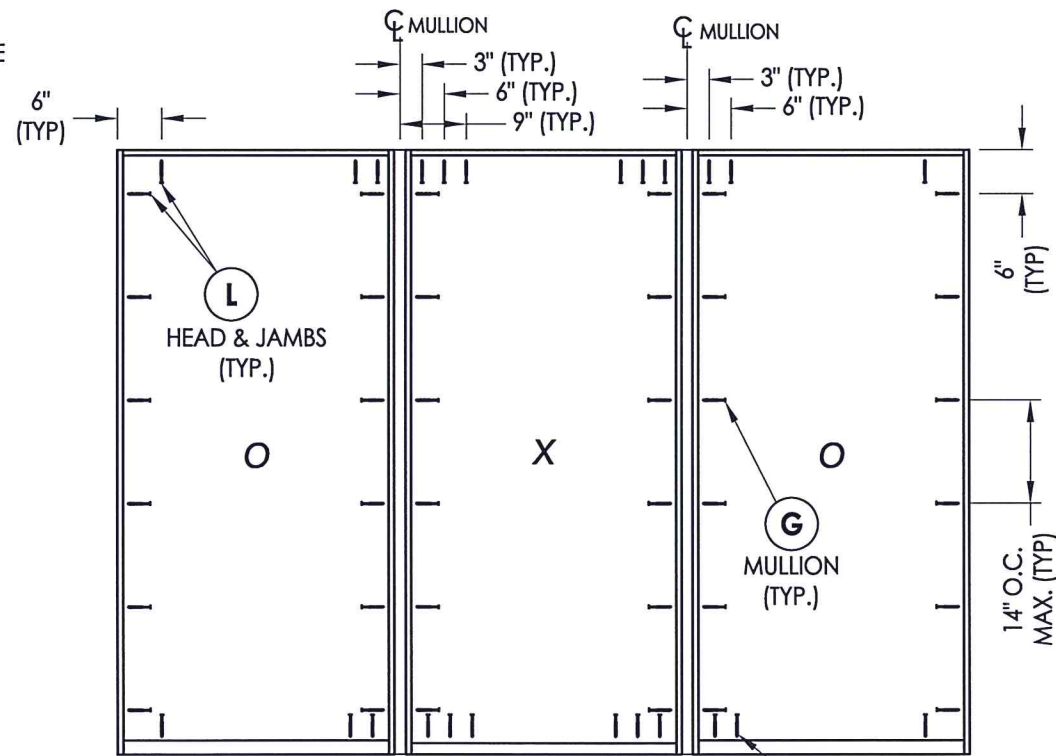




**G** WOOD  
**P** CONCRETE  
SILL (TYP.)

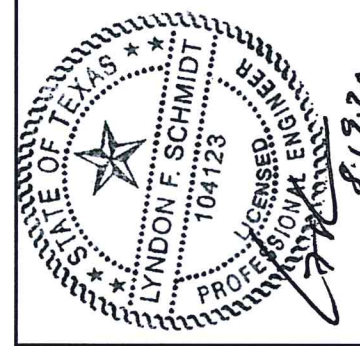


**G** WOOD  
**P** CONCRETE  
SILL (TYP.)

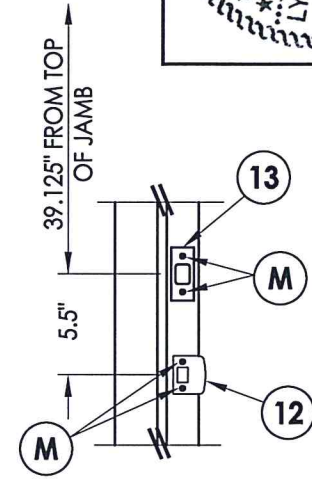


**G** WOOD  
**P** CONCRETE  
SILL (TYP.)

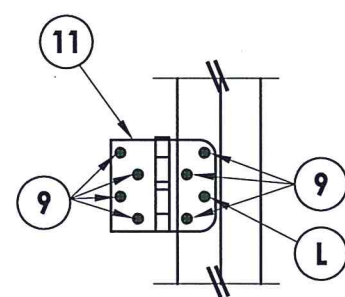
**FRAME ANCHORING**  
2X stud framing  
w/ wood/concrete substrate



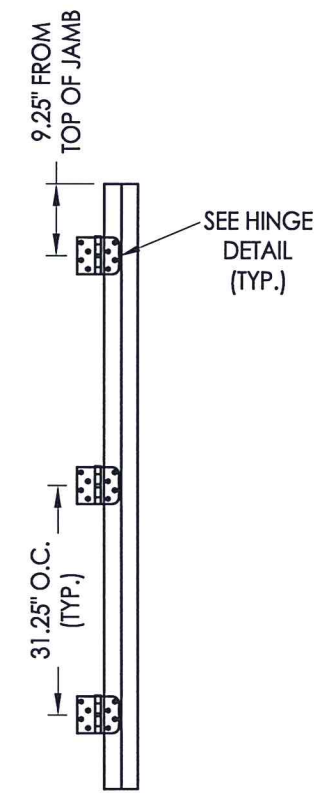
Documents Prepared By: Lyndon F. Schmidt, P.E.  
TEXAS P.E. #104123  
**RW** BUILDING CONSULTANTS, INC.  
P.O. Box 230 Valrico FL 33595  
Phone No.: 813.659.9197  
TEXAS BOARD OF PROFESSIONAL ENGINEERS  
CERTIFICATE OF REGISTRATION # F-11852



**LATCH AND DEADBOLT DETAILS**



**HINGE DETAIL**

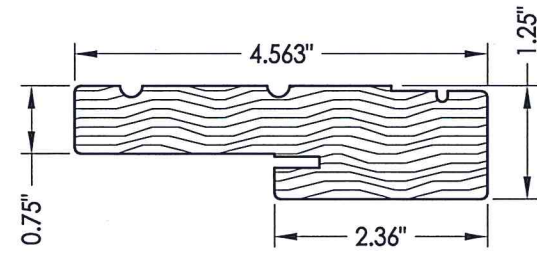


**HINGE JAMB**

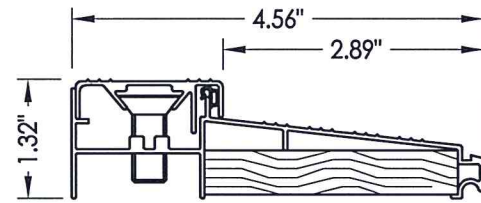
PRODUCT:	TAYLOR DOOR STEEL DOOR	
PART OR ASSEMBLY:	FRAME ANCHORING & HARDWARE DETAILS	
NO.	DATE	BY
1	8/19/20	LFS
UPDATE TO 2018 IBC/IRC CODE		
REVISIONS		
DATE:	11/11/14	
SCALE:	N.T.S.	
DWG. BY:	JK	
CHK. BY:	LFS	
DRAWING NO.:	TX-4504	
SHEET	6	OF 7

**BILL OF MATERIALS**

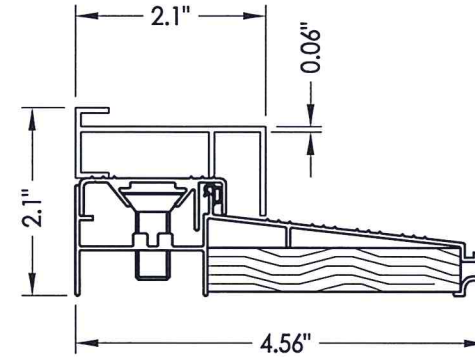
ITEM #	DESCRIPTION	MATERIAL
A	2X FRAMING (SG >= 0.42)	WOOD
C	1/4" MAX. SHIM SPACE	-
F	#7 X 2" PFH DRYWALL SCREW	STEEL
G	#10 X 3" PFH WOOD SCREW (1-1/2" MIN. EMB.)	STEEL
J	#10 X 2-1/2" PFH WOOD SCREW	STEEL
K	#6 X 3" PFH WOOD SCREW	STEEL
L	#10 X 2-1/2" PFH WOOD SCREW (1.15" MIN. EMB.)	STEEL
M	#8 X 2-1/2" PFH SMS	STEEL
P	1/4" PFH CONCRETE SCREW (1-3/4" MIN. EMB.)	STEEL
1	WOOD JAMB (FINGER-JOINT PINE)	WOOD
5	2X MULLION (SG >= 0.55)	WOOD
6	SWEEP	PVC
7	WEATHERSTRIP	FOAM
9	#10 x 3/4" PFH WOOD SCREW	STEEL
11	4" X 4" HINGE	STEEL
12	LATCH STRIKE PLATE	STEEL
13	DEADBOLT STRIKE PLATE	STEEL
20	INSWING THRESHOLD	ALUM/WOOD
21	INSWING THRESHOLD w/ SIDELITE ADAPTER	ALUM/WOOD
22	OUTSWING THRESHOLD	ALUM/WOOD
23	OUTSWING THRESHOLD	ALUM/WOOD
24	OUTSWING THRESHOLD	ALUM/WOOD
25	OUTSWING THRESHOLD	ALUM
40	DOOR PANEL	-
50	SIDELITE PANEL	-



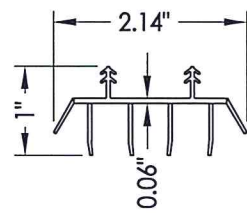
**1 WOOD JAMB**



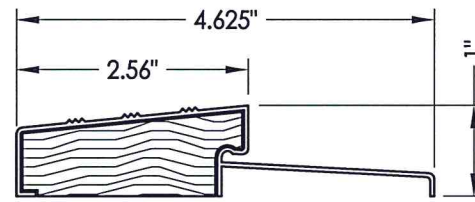
**20 INSWING THRESHOLD**  
DLP



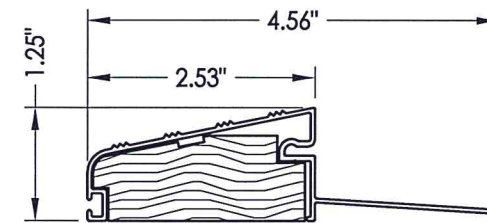
**21 INSWING THRESHOLD w/ SIDELITE ADAPTER**  
DLP



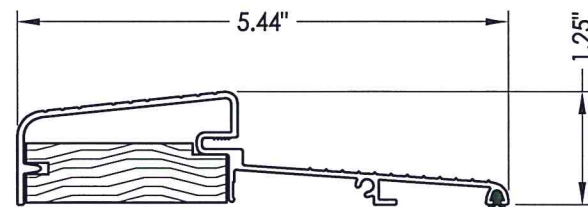
**6 SWEEP**



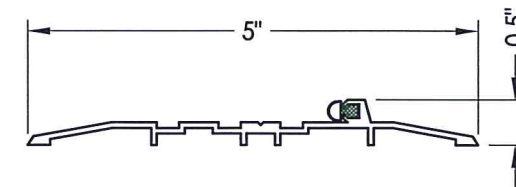
**22 OUTSWING THRESHOLD**  
DLP (QOS)



**23 OUTSWING THRESHOLD**  
DLP (QOSH)



**24 OUTSWING THRESHOLD**  
Combo



**25 OUTSWING THRESHOLD**  
DLP (OSHC)

**CONCRETE ANCHOR NOTES:**

- Concrete anchor locations at the corners may be adjusted to maintain the min. edge distance to mortar joints.
- Concrete anchor locations noted as "MAX. ON CENTER" must be adjusted to maintain the min. edge distance to mortar joints, additional concrete anchors may be required to ensure the "MAX. ON CENTER" dimension are not exceeded.
- Concrete anchor table:

ANCHOR TYPE	ANCHOR SIZE	MIN. EMBEDMENT	MIN. CLEARANCE TO MASONRY EDGE	MIN. CLEARANCE TO ADJACENT ANCHOR
ITW TAPCON®	1/4"	1-3/4"	1-1/2"	4"
DeWALT ULTRACON®	1/4"	1-3/4"	1"	4"



Documents Prepared By: Lyndon F. Schmidt, P.E.  
TEXAS P.E. #104123

**RW** BUILDING CONSULTANTS, INC.  
P.O. Box 230 Valrico FL 33595  
Phone No.: 813.659.9197

TEXAS BOARD OF PROFESSIONAL ENGINEERS  
CERTIFICATE OF REGISTRATION # F-11852

PRODUCT: TAYLOR DOOR  
STEEL DOOR

PART OR ASSEMBLY:  
BILL OF MATERIALS  
& COMPONENTS

NO.	DATE	DESCRIPTION	LFS	BY
1	8/19/20	UPDATE TO 2018 IBC/IRC CODE		
REVISIONS				

DATE: 11/11/14

SCALE: N.T.S.

DWG. BY: JK

CHK. BY: LFS

DRAWING NO.: TX-4504

SHEET 7 OF 7