



AMERICA'S DOORMAKER
631 N. FIRST ST. WEST BRANCH, MI 48661

OPAQUE STEEL DOORS DOUBLES w/ or w/o SIDELITES IN SWING / OUT SWING "IMPACT"

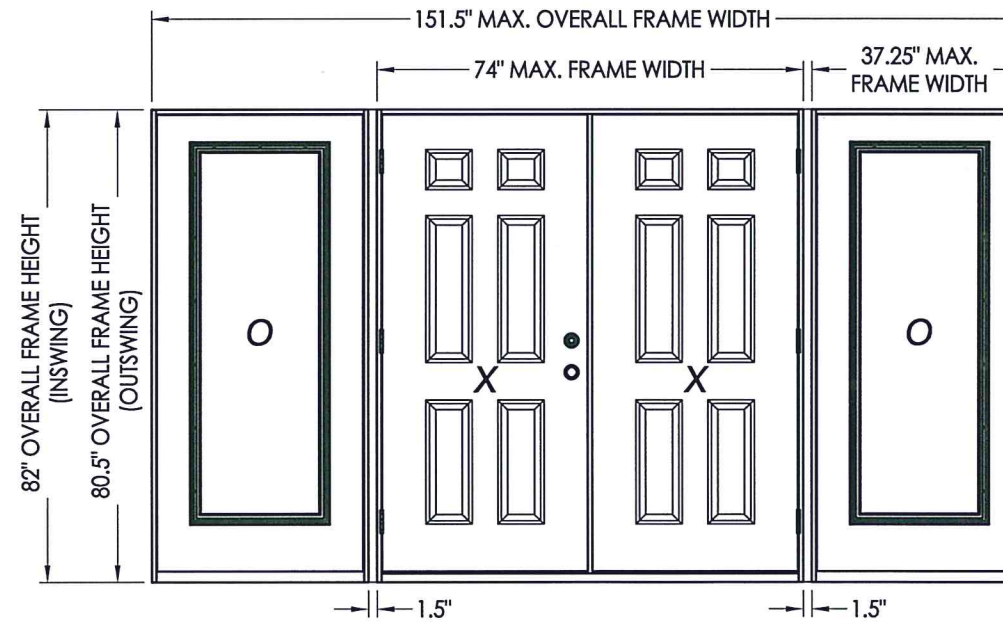
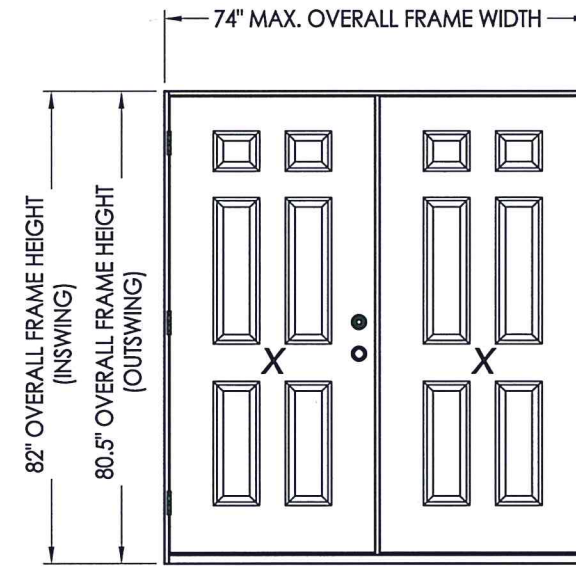
EVALUATED FOR USE IN THE STATE OF TEXAS

The Steel Door system described herein complies with the 2018 International Residential Code (IRC), Sections R301 & R609 and the 2018 International Building Code (IBC), Sections 1404.13, 1609, 1709.5, 2403 and 2404 subject to the following conditions:

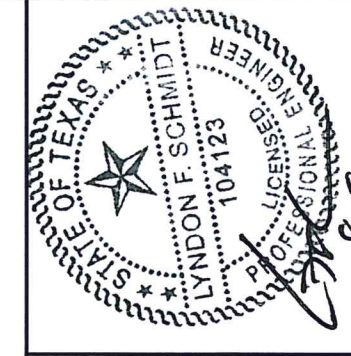
1. Anchors shall be as listed and spaced as shown in the details. Anchor embedment to base material shall be beyond wall dressing or stucco.
2. This system has been tested and evaluated as a large missile impact protective system for installation in areas that require wind borne debris protection. This product meets missile level "D" as defined in ASTM E 1996.
3. Allowable design pressure requirements must be equal to or less than the design pressure rating shown in the design pressure chart, sheet 1 of this drawing.
4. Conditions not covered by this drawing are subject to further engineering analysis.

TABLE OF CONTENTS

SHEET#	DESCRIPTION
1	Typical elevations, design pressures & general notes
2	Door panel details
3	Sidelite panel details
4	Elevations
5	Vertical cross sections
6	Horizontal cross sections
7	Hardware details
8	Frame anchoring
9	Bill of materials and components



CONFIG.	MAX. FRAME DIMENSION	DESIGN PRESSURE (PSF) INSWING		DESIGN PRESSURE (PSF) OUTSWING	
		POS.	NEG.	POS.	NEG.
XX	74.0" x 82.0"				
OXXO	151.5" x 82.0"	+60.0	-60.0	+60.0	-60.0



Documents Prepared By: Lyndon F. Schmidt, P.E.
TEXAS P.E. #104123

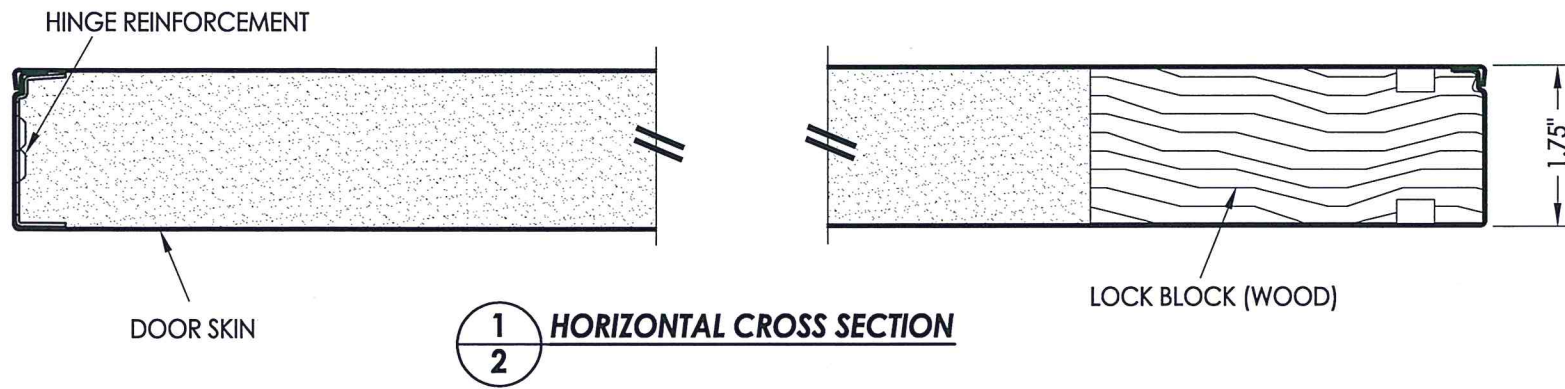
RW BUILDING CONSULTANTS, INC.
P.O. Box 230 Valrico FL 33595
Phone No.: 813.659.9197

TEXAS BOARD OF PROFESSIONAL ENGINEERS
CERTIFICATE OF REGISTRATION # F-11852

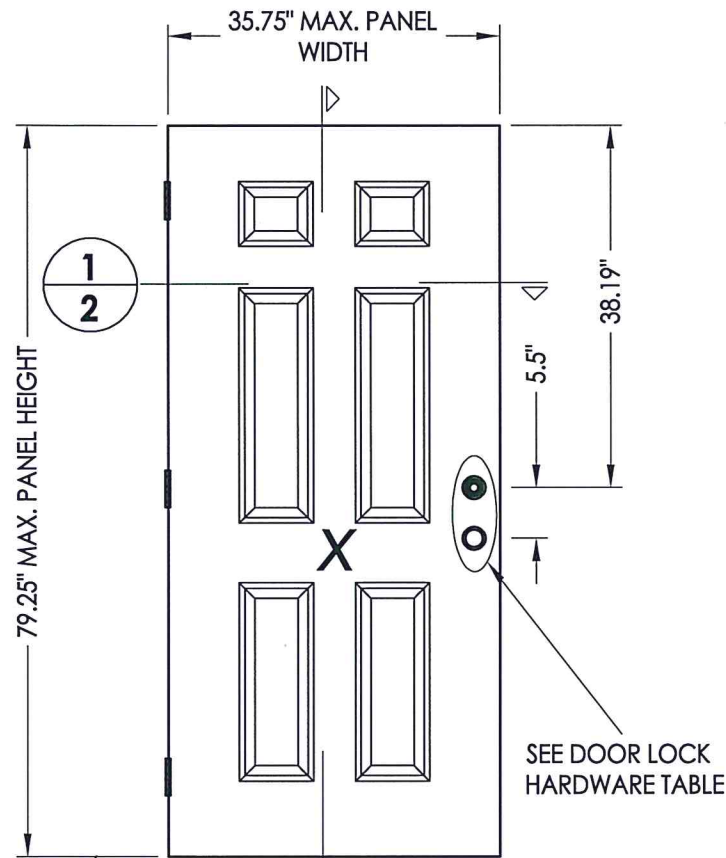
PRODUCT: TAYLOR DOOR STEEL DOOR
PART OR ASSEMBLY: TYPICAL ELEVATION, DESIGN PRESSURES & GENERAL NOTES

NO.	DATE	REVISIONS
1	8/18/20	UPDATE TO 2018 IBC/IRC CODE

DATE: 11/3/14
SCALE: N.T.S.
DWG. BY: JK
CHK. BY: LFS
DRAWING NO.: TX-4509
SHEET 1 OF 9



1
2 **HORIZONTAL CROSS SECTION**

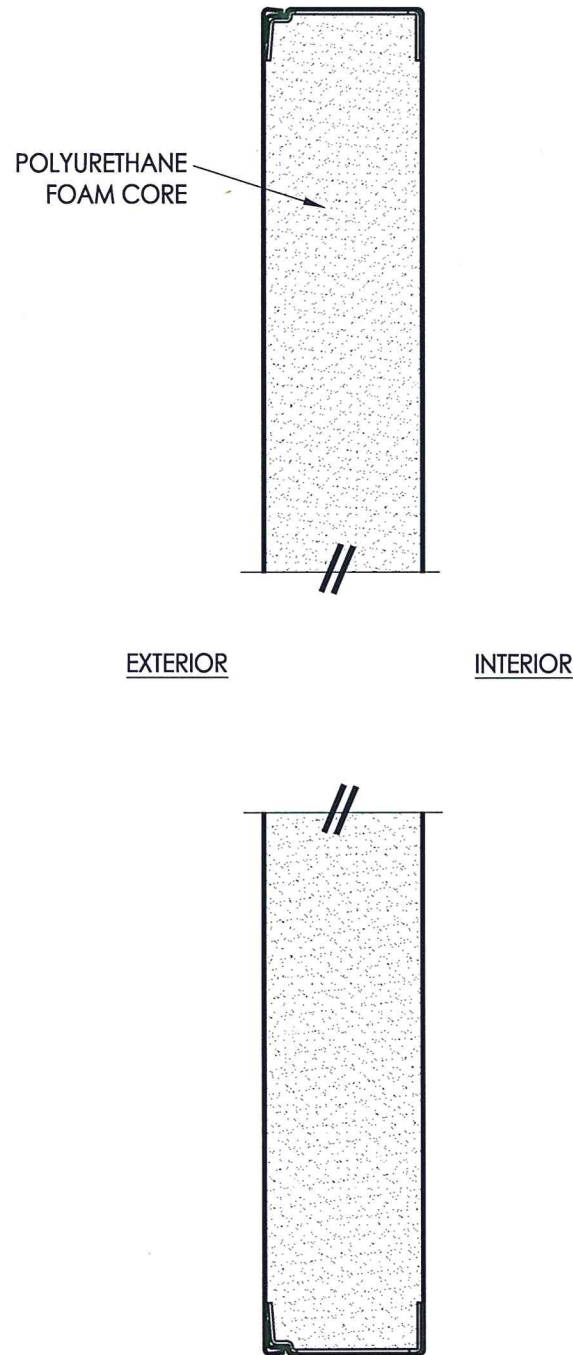


2
2

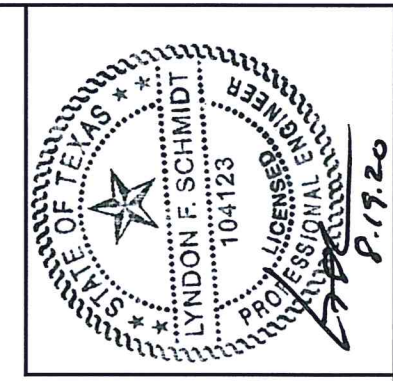
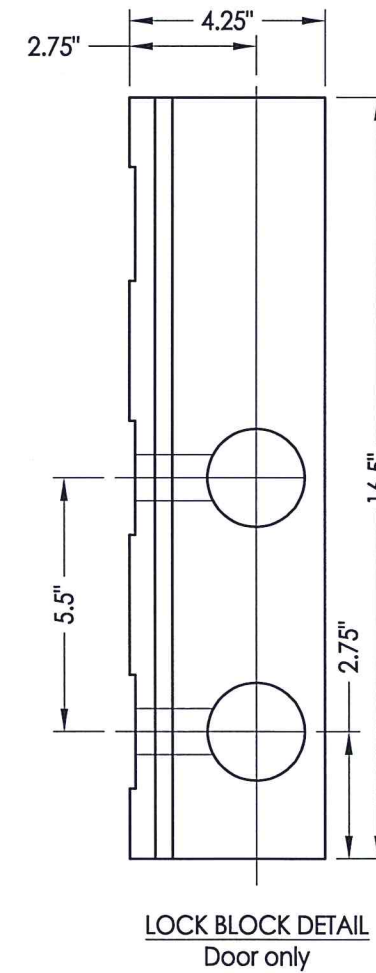
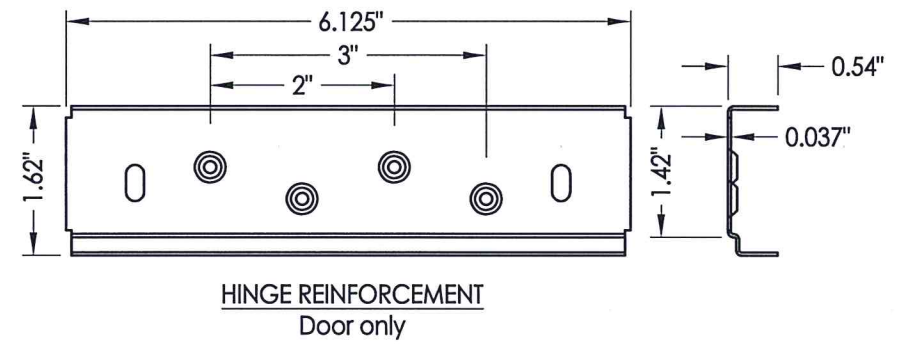
40 **TAYLOR DOOR PANEL**

DOOR SKIN: 0.022" MIN. THK. STEEL
CORE MATERIAL: POLYURETHANE FOAM

HARDWARE CHART	
MANUFACTURER	MODEL
YALE	Knob: NEW TRADITIONS DEADBOLT: NEW TRADITIONS (800 SERIES)
SCHLAGE	Knob/Lever: "F" SERIES DEADBOLT: B60/62



2
2 **VERTICAL CROSS SECTION**



Documents Prepared By: Lyndon F. Schmidt, P.E.
TEXAS P.E. #104123

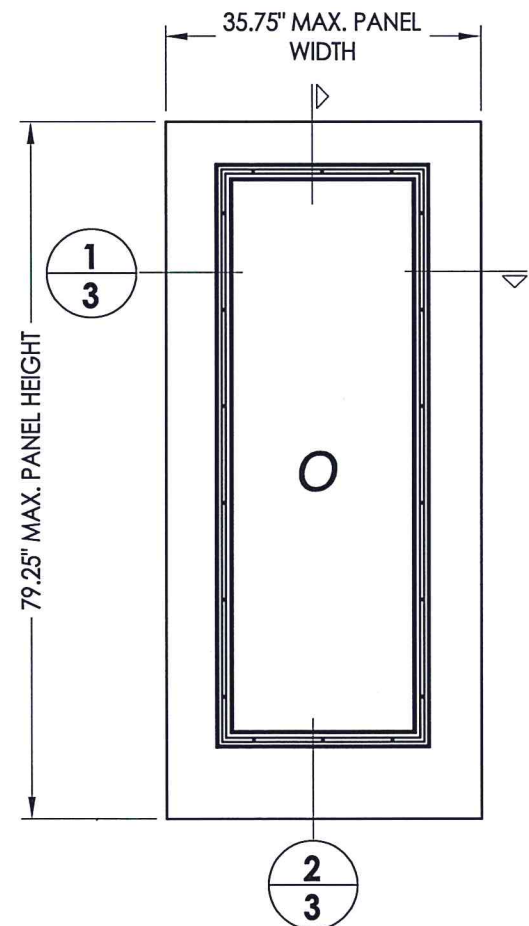
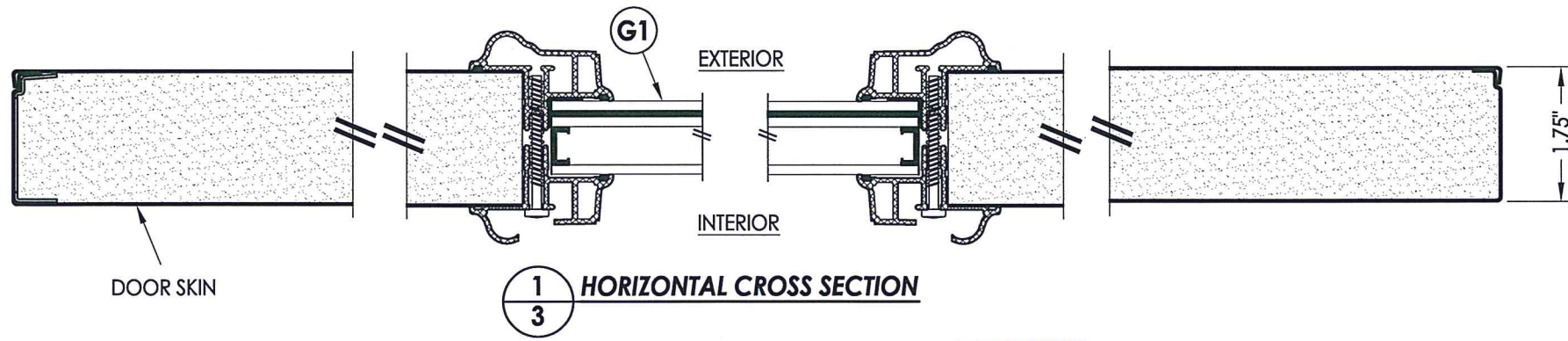
R.W. BUILDING CONSULTANTS, INC.
P.O. Box 230 Valrico FL 33595
Phone No.: 813.659.9197

TEXAS BOARD OF PROFESSIONAL ENGINEERS
CERTIFICATE OF REGISTRATION # F-11852

PRODUCT:	TAYLOR DOOR STEEL DOOR
PART OR ASSEMBLY:	DOOR PANEL DETAILS

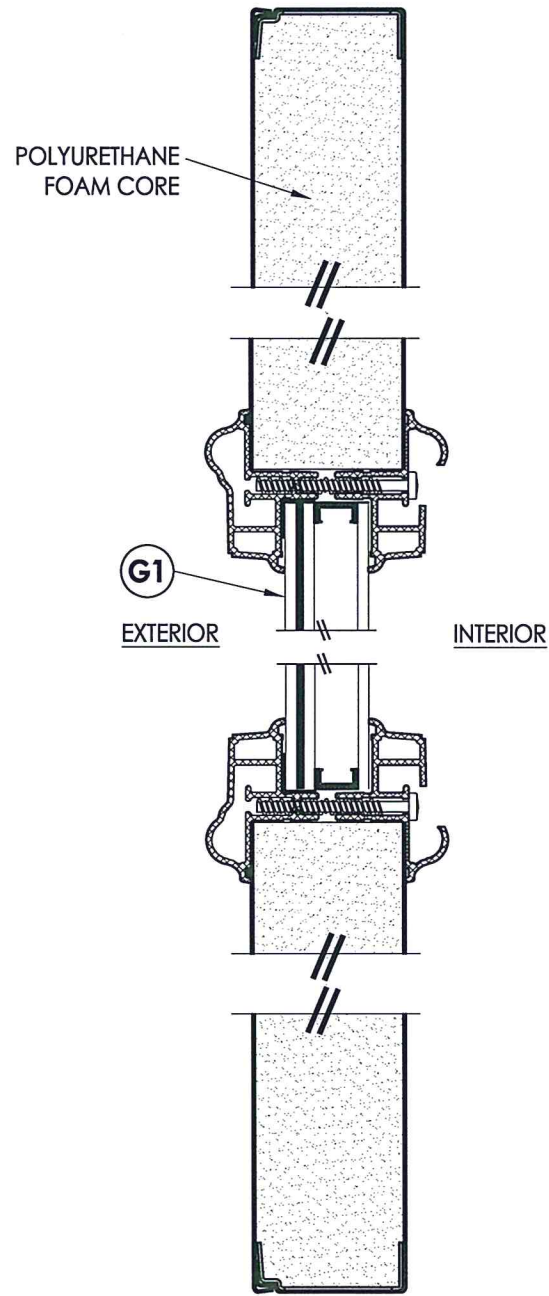
NO.	DATE	REVISIONS
1	8/18/20	UPDATE TO 2018 IBC/IRC CODE
		LFS
		BY

DATE:	11/3/14
SCALE:	N.T.S.
DWG. BY:	JK
CHK. BY:	LFS
DRAWING NO.:	TX-4509
SHEET	2 OF 9



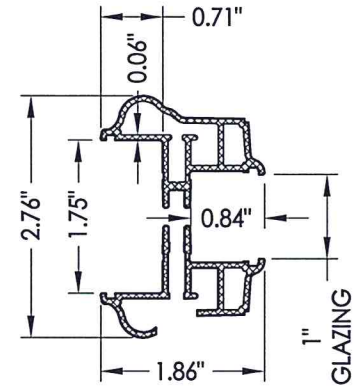
50 TAYLOR SIDELITE PANEL

DOOR SKIN: 0.022" MIN. THK. STEEL
CORE MATERIAL: POLYURETHANE FOAM

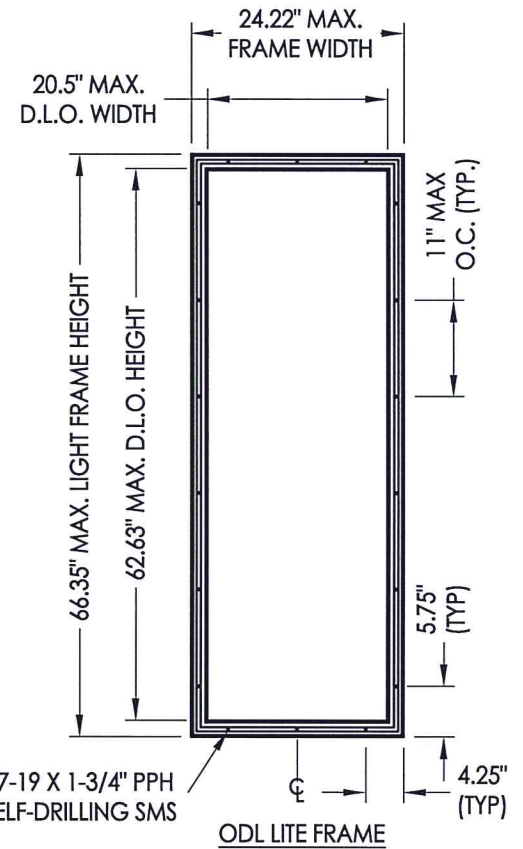


2 VERTICAL CROSS SECTION

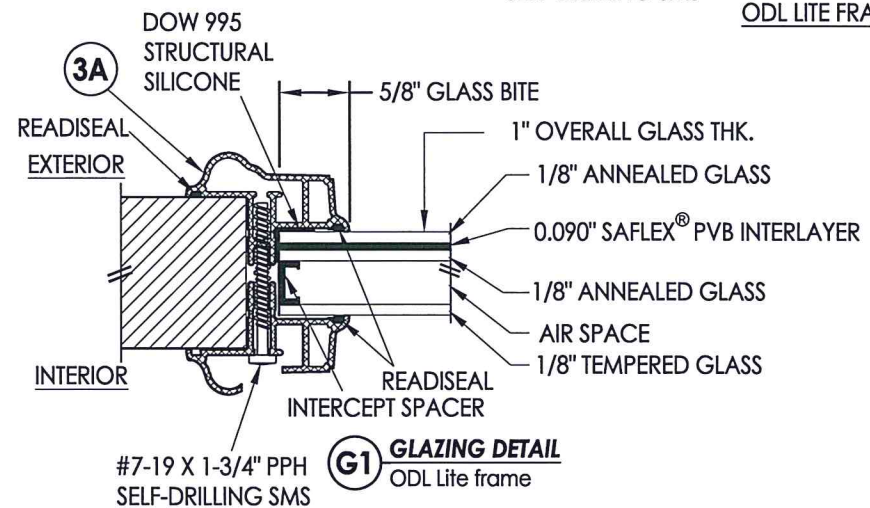
1
3



3A OD LITE FRAME
Aluminum



#7-19 X 1-3/4" PPH SELF-DRILLING SMS
OD LITE FRAME



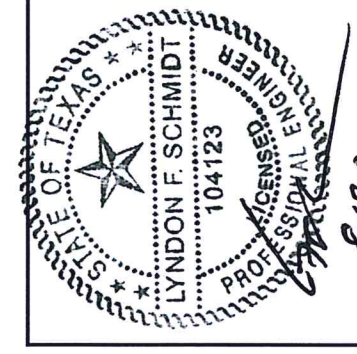
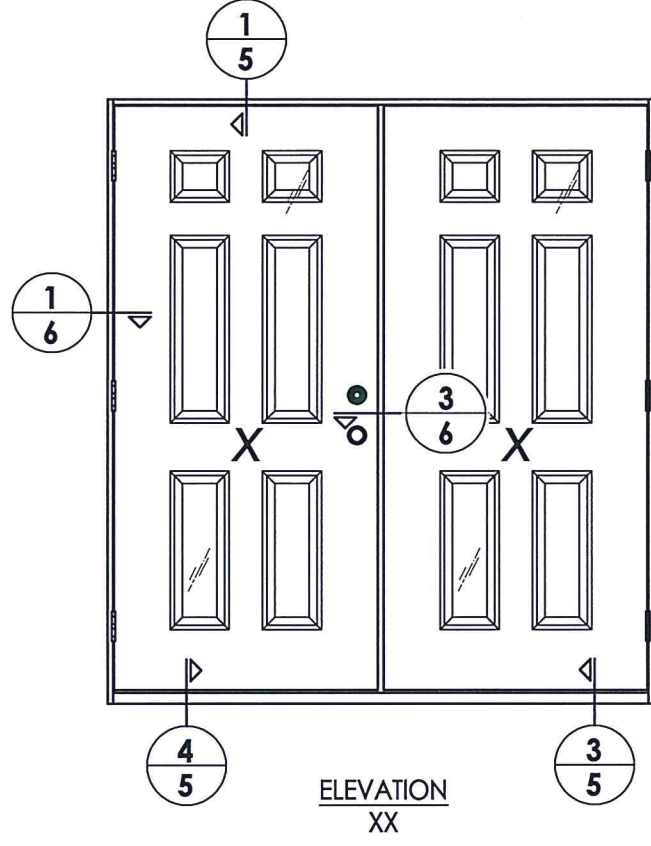
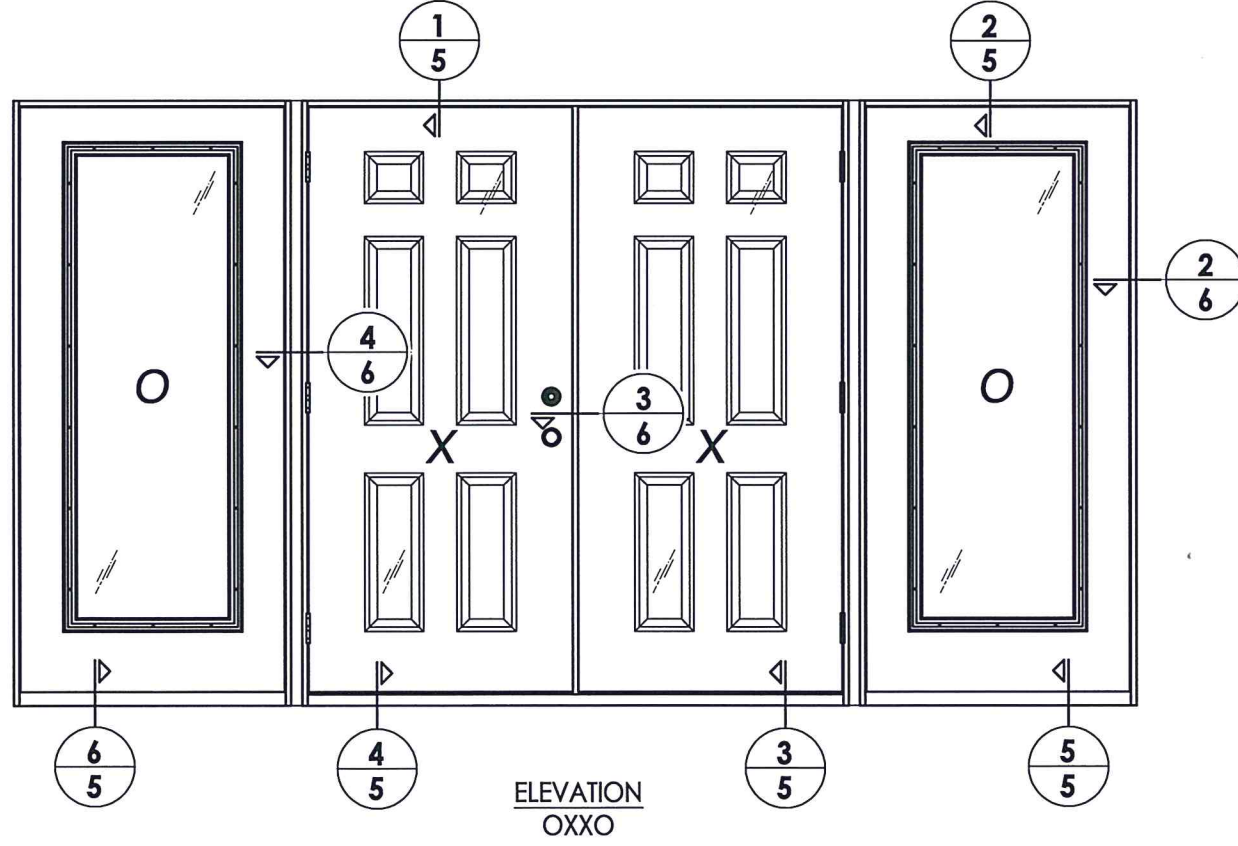
G1 GLAZING DETAIL
ODL Lite frame



Documents Prepared By: Lyndon F. Schmidt, P.E.
TEXAS P.E. #104123

RW BUILDING CONSULTANTS, INC.
P.O. Box 230 Valrico FL 33595
Phone No.: 813.659.9197
TEXAS BOARD OF PROFESSIONAL ENGINEERS
CERTIFICATE OF REGISTRATION # F-11652

PRODUCT:	TAYLOR DOOR STEEL DOOR	
PART OR ASSEMBLY:	SIDELITE PANEL DETAILS	
NO.	DATE	REVISIONS
1	8/18/20	UPDATE TO 2018 IBC/IRC CODE
		LFS
		BY
DATE: 11/3/14		
SCALE: N.T.S.		
DWG. BY: JK		
CHK. BY: LFS		
DRAWING NO.: TX-4509		
SHEET 3 OF 9		



Documents Prepared By: Lyndon F. Schmidt, P.E.
TEXAS P.E. #104123

RW BUILDING CONSULTANTS, INC.
P.O. Box 230 Valrico FL 33595
Phone No.: 813.659.9197

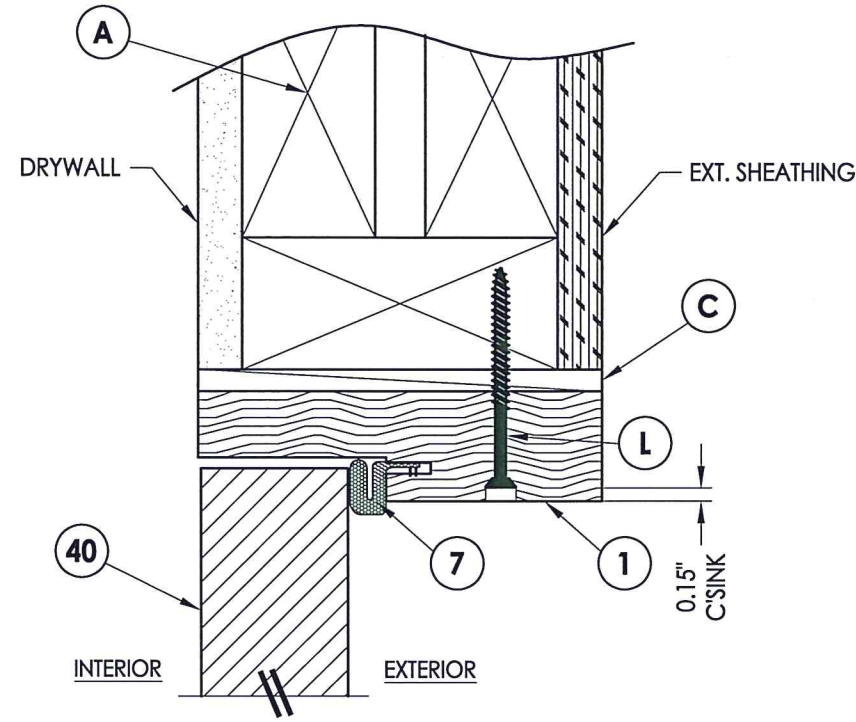
TEXAS BOARD OF PROFESSIONAL ENGINEERS
CERTIFICATE OF REGISTRATION # F-11852

PRODUCT: TAYLOR DOOR
STEEL DOOR

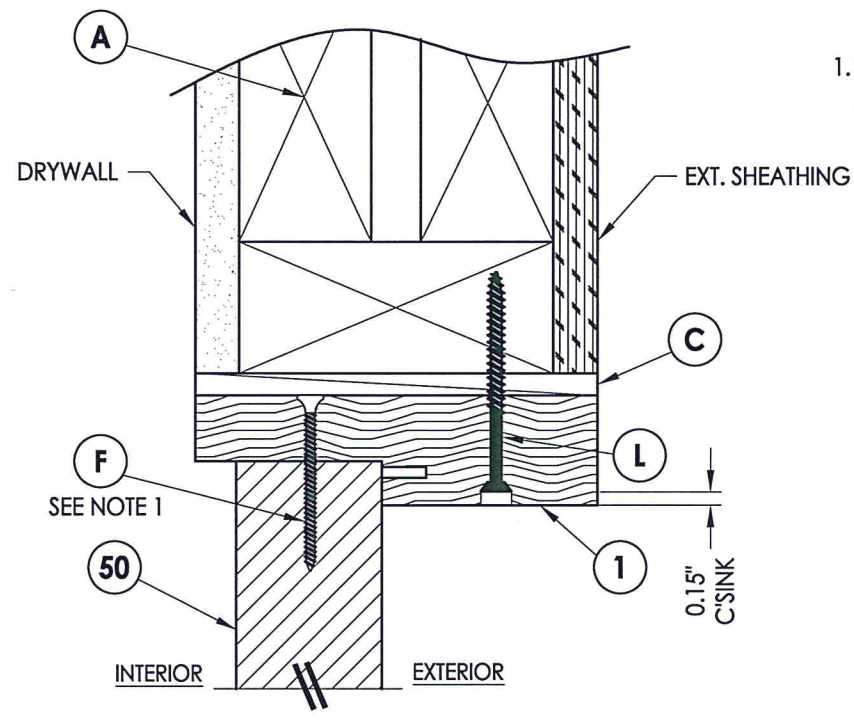
PART OR ASSEMBLY:
ELEVATIONS

NO.	DATE	DESCRIPTION	BY
1	8/18/20	UPDATE TO 2018 IBC/IRC CODE	LFS

DATE: 11/3/14
SCALE: N.T.S.
DWG. BY: JK
CHK. BY: LFS
DRAWING NO.: TX-4509
SHEET 4 OF 9

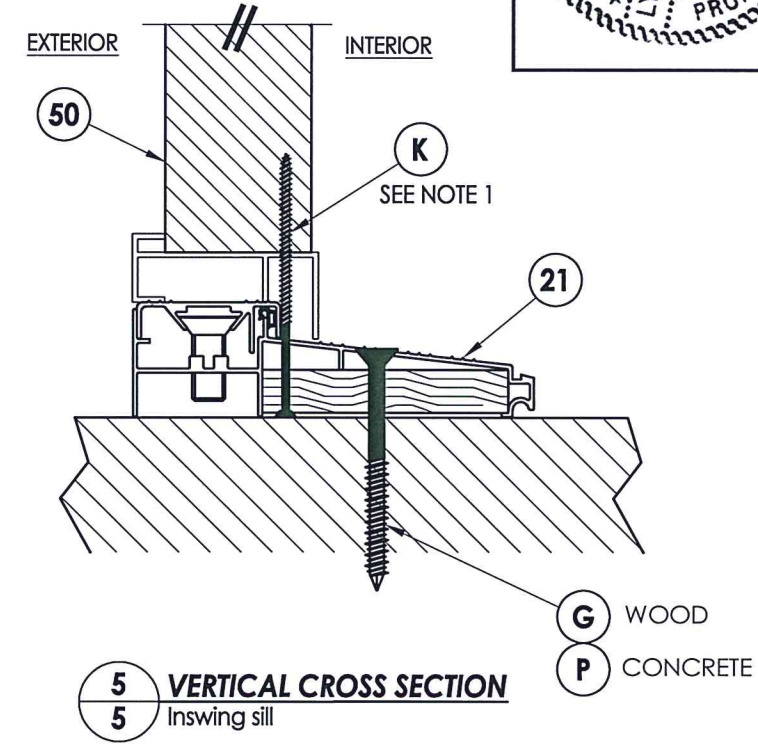


1 VERTICAL CROSS SECTION
5 Inswing shown (Outswing similar)

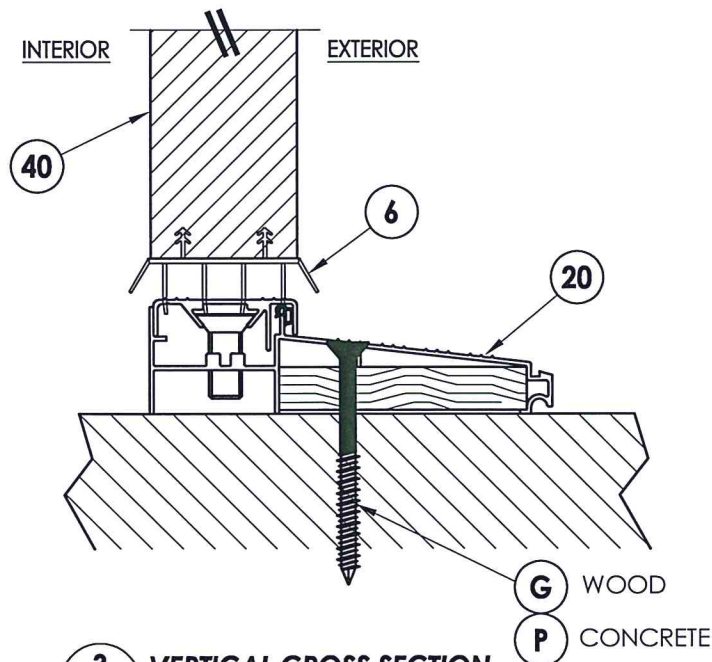


2 VERTICAL CROSS SECTION
5 Inswing shown (Outswing similar)

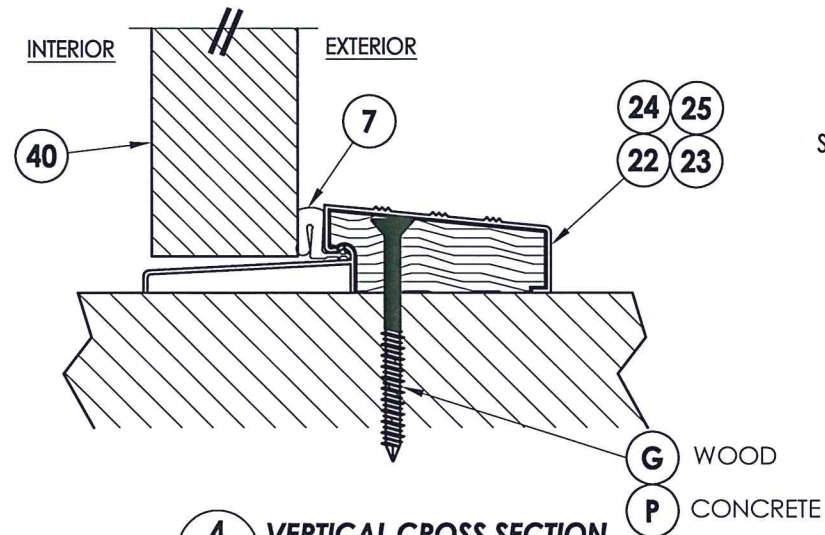
NOTE:
 1. Spacing for item F or K @ head & sill: 6" from each end plus 1 @ centerline (3 total).



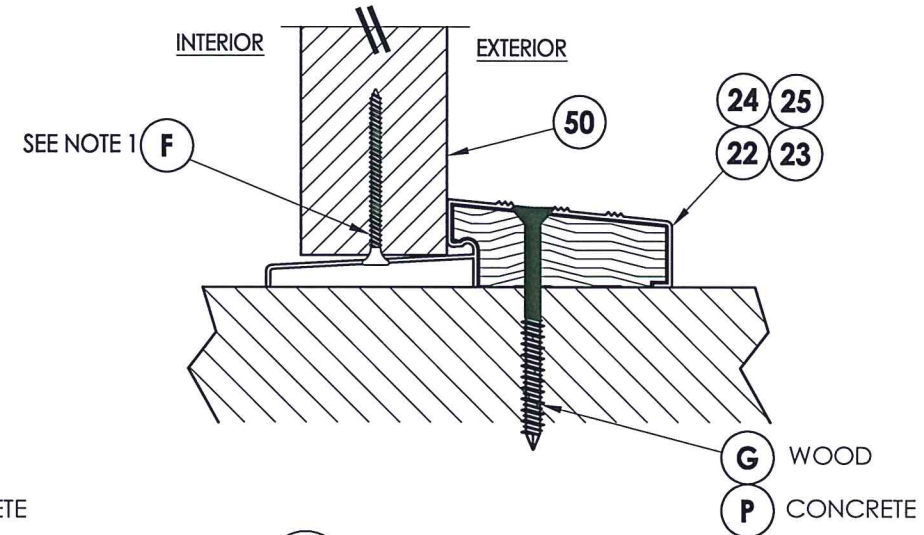
5 VERTICAL CROSS SECTION
5 Inswing sill



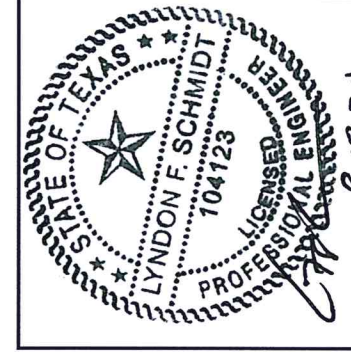
3 VERTICAL CROSS SECTION
5 Inswing sill



4 VERTICAL CROSS SECTION
5 Outswing sill

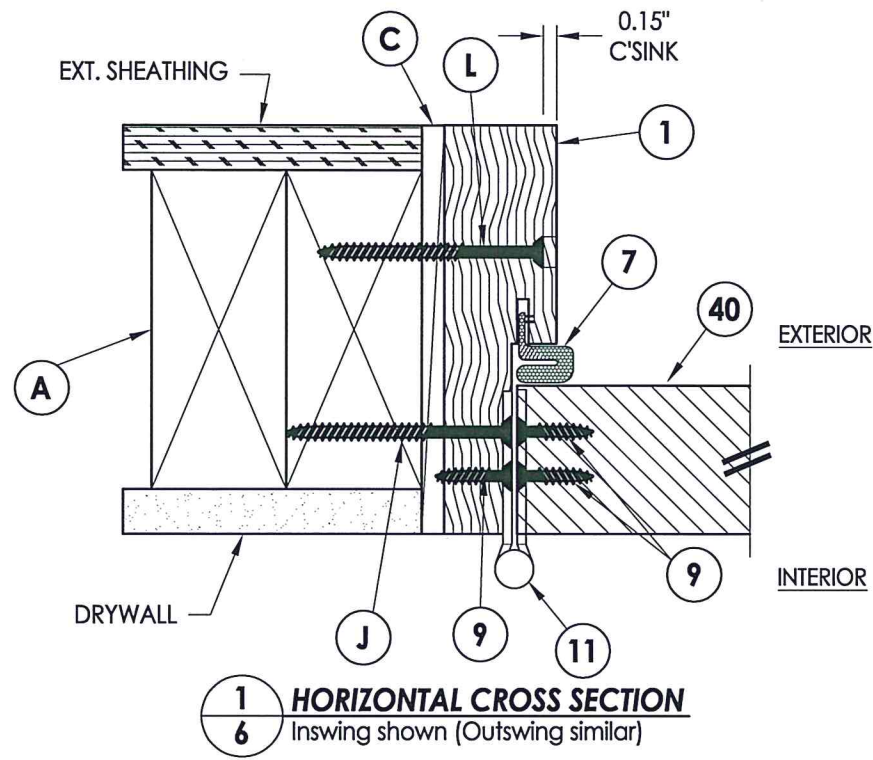


6 VERTICAL CROSS SECTION
5 Outswing sill

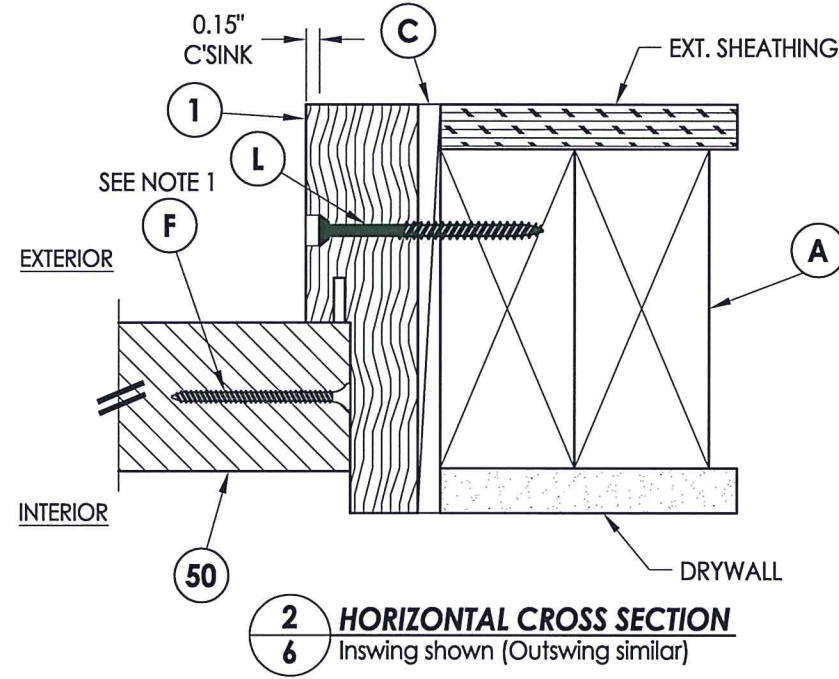


Documents Prepared By: Lyndon F. Schmidt, P.E.
 TEXAS P.E. #104123
 R.W. BUILDING CONSULTANTS, INC.
 P.O. Box 230 Valrico FL 33595
 Phone No.: 813.659.9197
 TEXAS BOARD OF PROFESSIONAL ENGINEERS
 CERTIFICATE OF REGISTRATION # F-11852

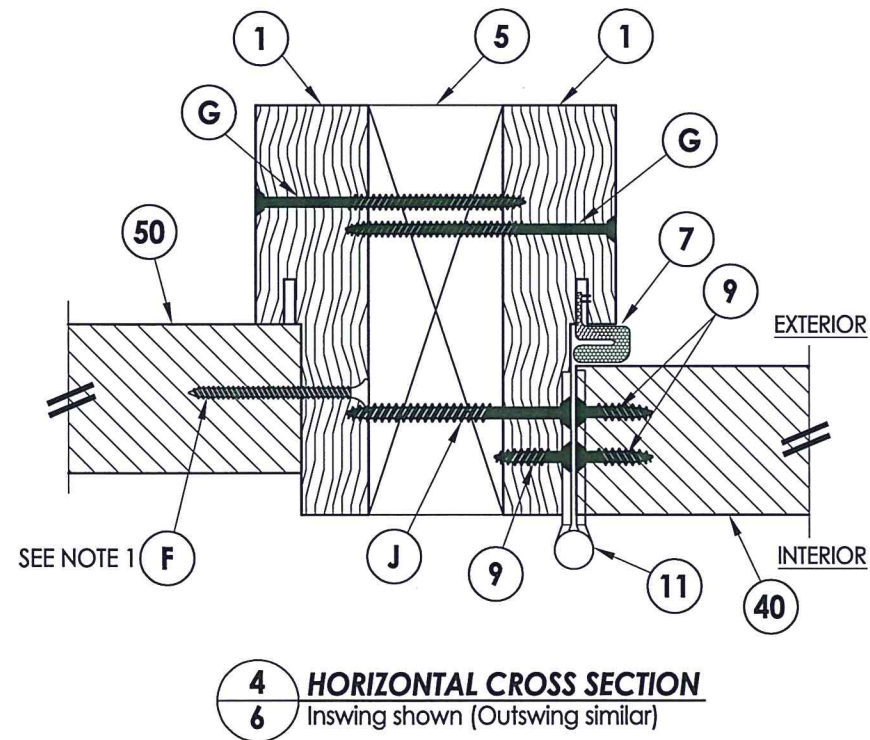
PRODUCT:	TAYLOR DOOR STEEL DOOR	
PART OR ASSEMBLY:	VERTICAL CROSS SECTIONS	
DATE:	11/3/14	
SCALE:	N.T.S.	
DWG. BY:	JK	
CHK. BY:	LFS	
DRAWING NO.:	TX-4509	
SHEET	5 of 9	
NO.	DATE	DESCRIPTION
1	8/18/20	UPDATE TO 2018 IBC/IRC CODE
		REVISIONS



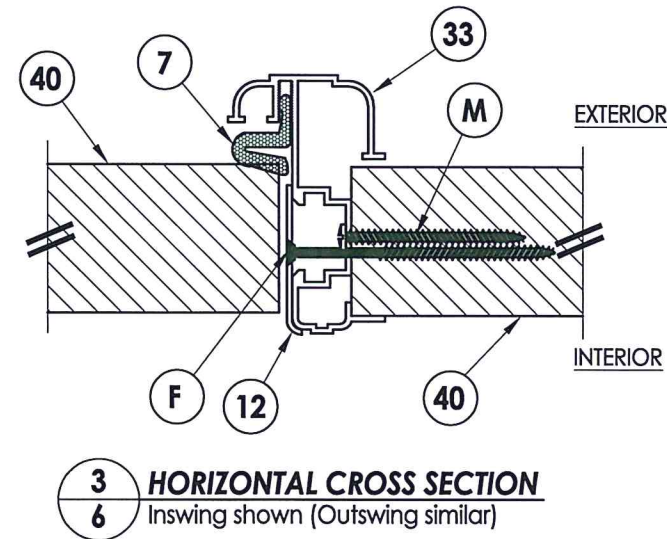
1
6 **HORIZONTAL CROSS SECTION**
Inswing shown (Outswing similar)



2
6 **HORIZONTAL CROSS SECTION**
Inswing shown (Outswing similar)

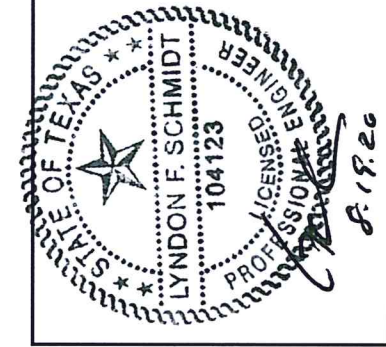


4
6 **HORIZONTAL CROSS SECTION**
Inswing shown (Outswing similar)



3
6 **HORIZONTAL CROSS SECTION**
Inswing shown (Outswing similar)

NOTE:
1. Spacing for item F: 6" from each end and 6 more equally spaced along sidelite jamb (8 total).



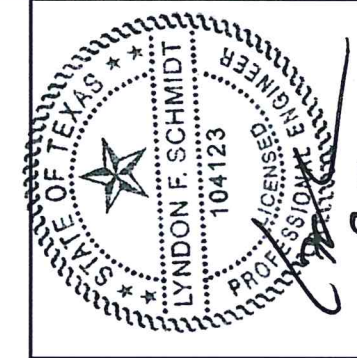
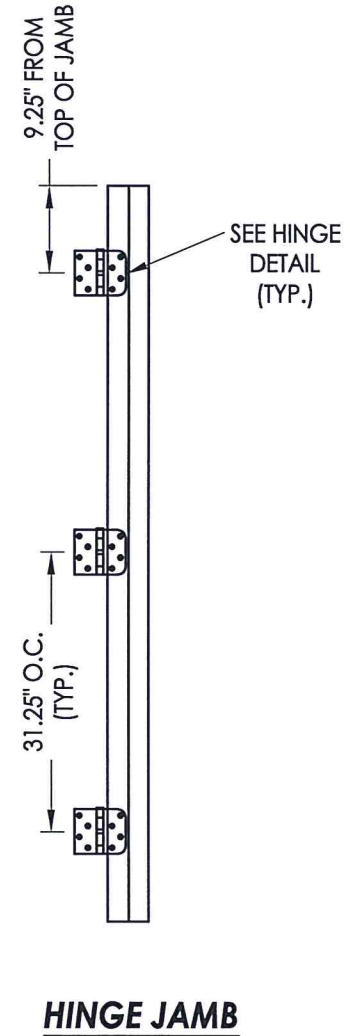
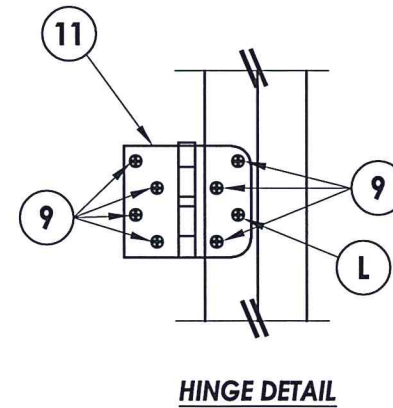
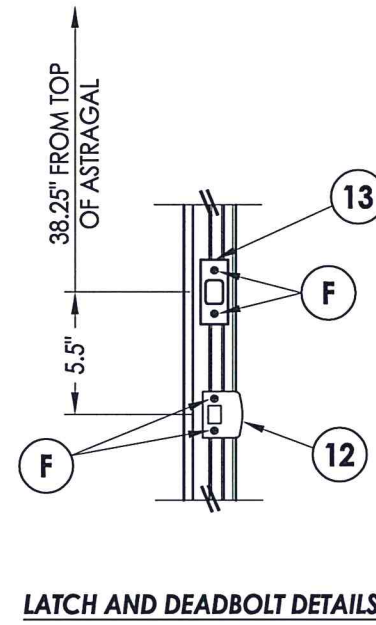
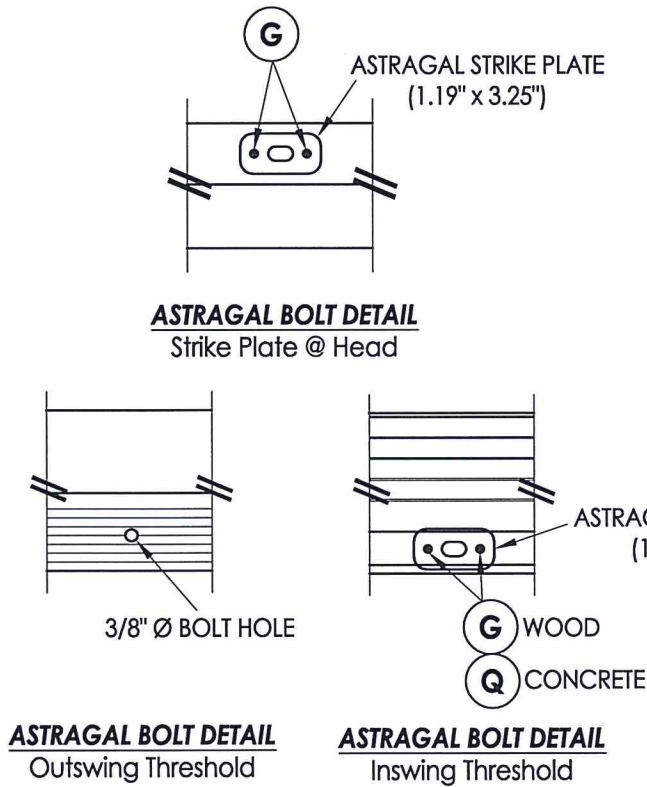
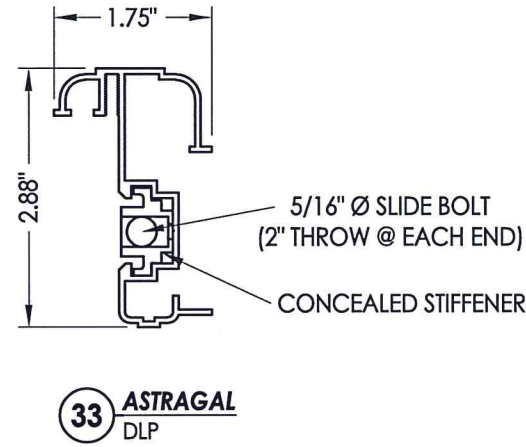
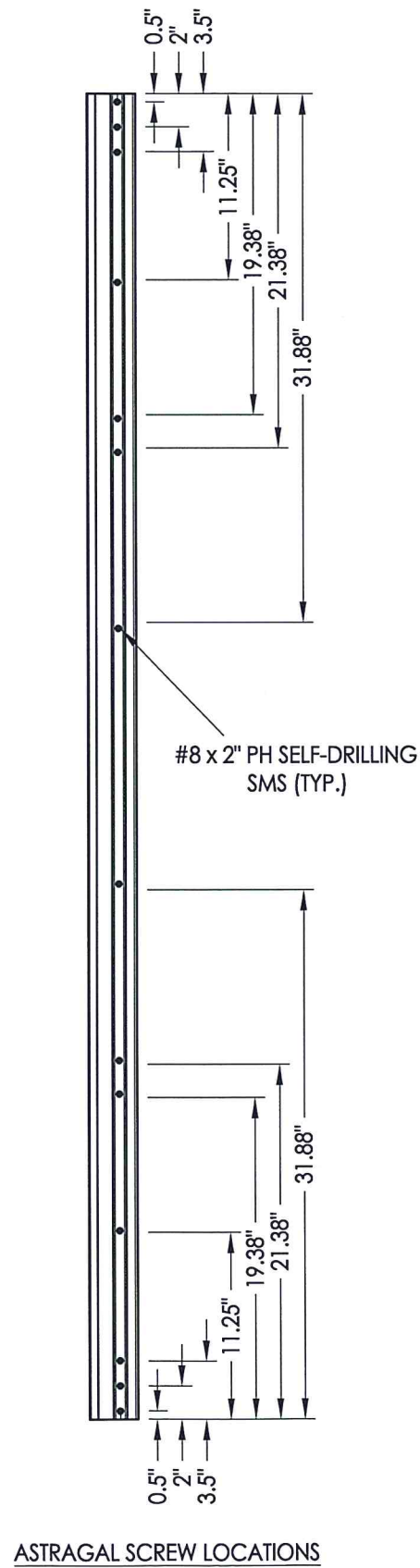
Documents Prepared By: Lyndon F. Schmidt, P.E.
TEXAS P.E. #104123

RW BUILDING CONSULTANTS, INC.
P.O. Box 230 Vairloo FL 33595
Phone No.: 813.659.9197
TEXAS BOARD OF PROFESSIONAL ENGINEERS
CERTIFICATE OF REGISTRATION # F-11852

PRODUCT: TAYLOR DOOR
STEEL DOOR
PART OR ASSEMBLY:
HORIZONTAL CROSS
SECTIONS

NO.	DATE	DESCRIPTION	BY
1	8/18/20	UPDATE TO 2018 IBC/IRC CODE	LFS

DATE: 11/3/14
SCALE: N.T.S.
DWG. BY: JK
CHK. BY: LFS
DRAWING NO.: TX-4509
SHEET 6 OF 9

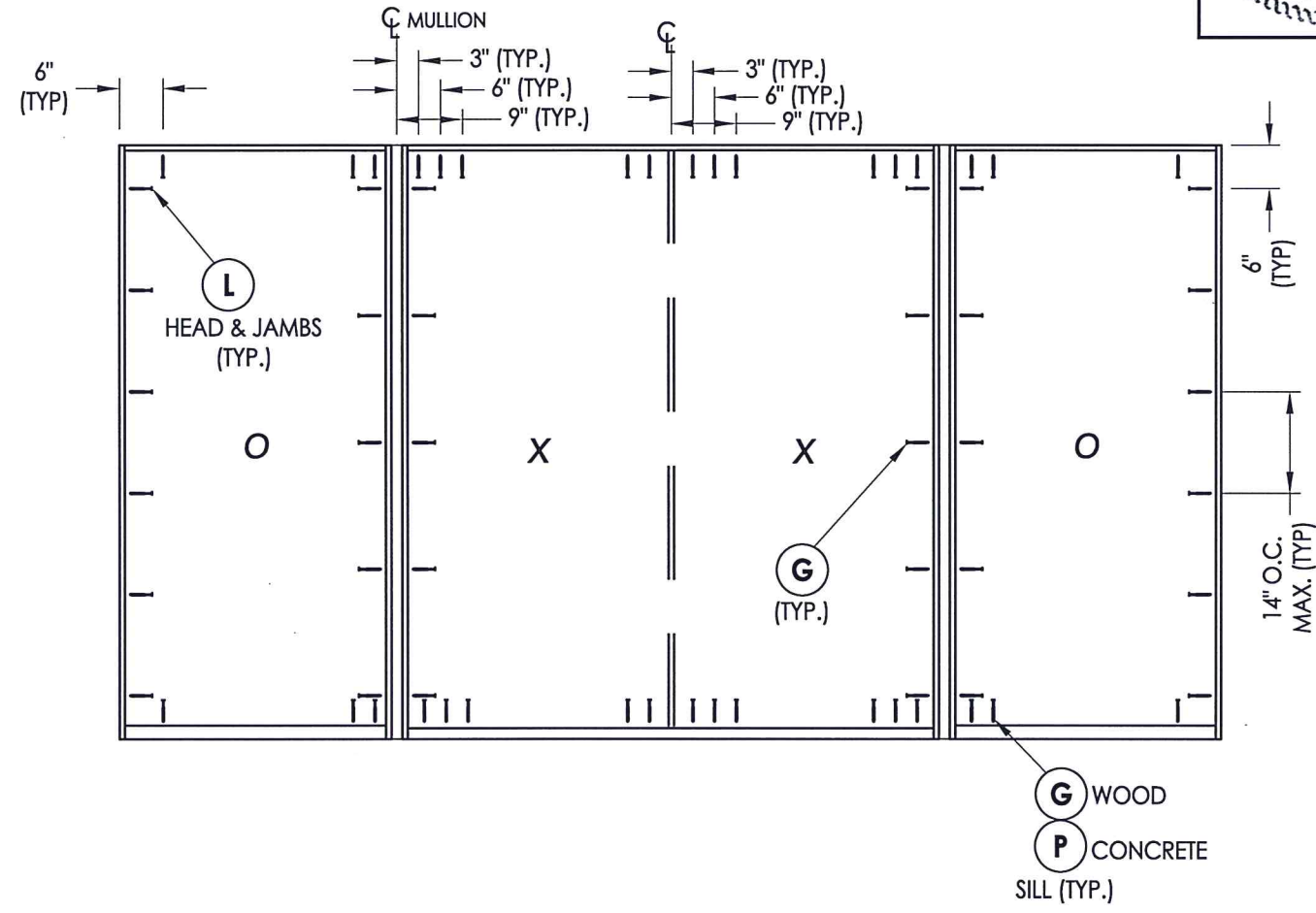
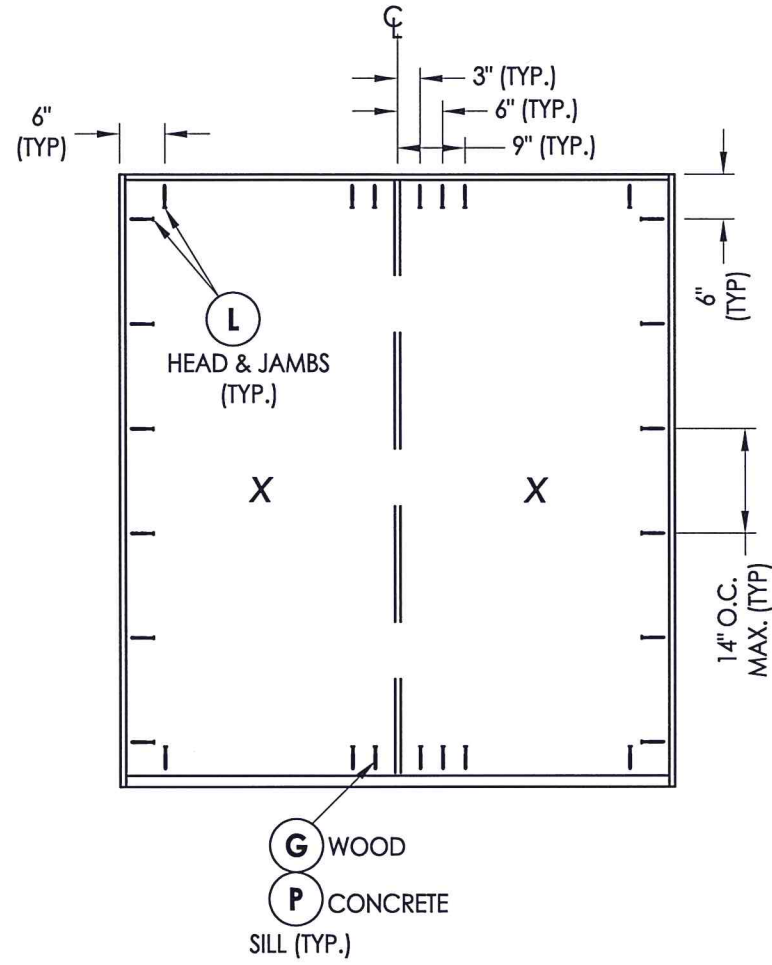


Documents Prepared By: Lyndon F. Schmidt, P.E.
TEXAS P.E. #104123

R.W. BUILDING CONSULTANTS, INC.
P.O. Box 230 Valrico FL, 33595
Phone No.: 813.659.9197

TEXAS BOARD OF PROFESSIONAL ENGINEERS
CERTIFICATE OF REGISTRATION # F-11852

PRODUCT:	TAYLOR DOOR STEEL DOOR	
PART OR ASSEMBLY:	HARDWARE DETAILS	
NO.	DATE	BY
1	8/18/20	LFS
UPDATE TO 2018 IBC/IRC CODE		
REVISIONS		
DATE:	11/3/14	
SCALE:	N.T.S.	
DWG. BY:	JK	
CHK. BY:	LFS	
DRAWING NO.:	TX-4509	
SHEET	7	OF 9



FRAME ANCHORING
 2X stud framing
 w/ wood/concrete substrate



Documents Prepared By: Lyndon F. Schmidt, P.E.
 TEXAS P.E. #104123

RW BUILDING CONSULTANTS, INC.
 P.O. Box 230 Valrico FL 33595
 Phone No.: 813.659.9197

TEXAS BOARD OF PROFESSIONAL ENGINEERS
 CERTIFICATE OF REGISTRATION # F-11852

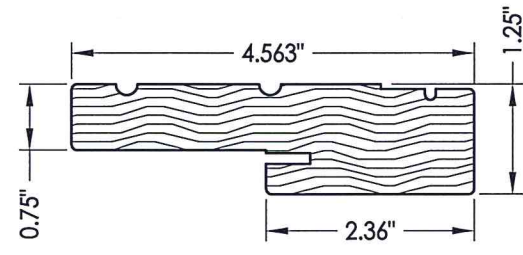
PRODUCT: TAYLOR DOOR
 STEEL DOOR

PART OR ASSEMBLY:
 FRAME ANCHORING

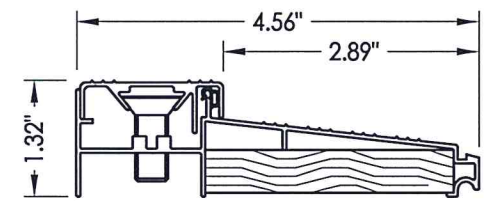
NO.	DATE	DESCRIPTION	BY
1	8/18/20	UPDATE TO 2018 IBC/IRC CODE	LFS

DATE: 11/3/14
 SCALE: N.T.S.
 DWG. BY: JK
 CHK. BY: LFS
 DRAWING NO.: TX-4509
 SHEET 8 OF 9

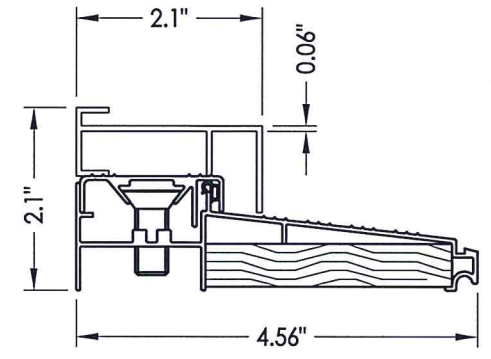
BILL OF MATERIALS		
ITEM #	DESCRIPTION	MATERIAL
A	2X FRAMING (SG >= 0.42)	WOOD
C	1/4" MAX. SHIM SPACE	-
F	#7 X 2" PFH DRYWALL SCREW	STEEL
G	#10 X 3" PFH WOOD SCREW (1-1/2" MIN. EMB.)	STEEL
J	#10 X 2-1/2" PFH WOOD SCREW	STEEL
K	#6 X 3" PFH WOOD SCREW	STEEL
L	#10 X 2-1/2" PFH WOOD SCREW (1.15" MIN. EMB.)	STEEL
M	#8 X 2" PH SMS	STEEL
P	1/4" PFH CONCRETE SCREW (1-3/4" MIN. EMB.)	STEEL
1	WOOD JAMB (FINGER-JOINT PINE)	WOOD
5	2X MULLION (SG >= 0.55)	WOOD
6	SWEEP	PVC
7	WEATHERSTRIP	FOAM
9	#10 x 3/4" PFH WOOD SCREW	STEEL
11	4" X 4" HINGE	STEEL
12	LATCH STRIKE PLATE	STEEL
13	DEADBOLT STRIKE PLATE	STEEL
20	INSWING THRESHOLD	ALUM/WOOD
21	INSWING THRESHOLD w/ SIDELITE ADAPTER	ALUM/WOOD
22	OUTSWING THRESHOLD	ALUM/WOOD
23	OUTSWING THRESHOLD	ALUM/WOOD
24	OUTSWING THRESHOLD	ALUM/WOOD
25	OUTSWING THRESHOLD	ALUM
33	ASTRAGAL (DLP)	ALUM
40	DOOR PANEL	-
50	SIDELITE PANEL	-



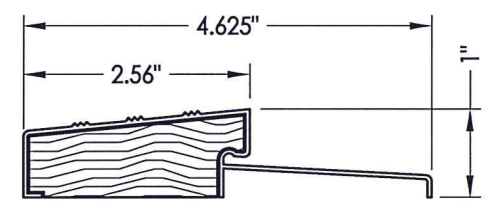
1 WOOD JAMB



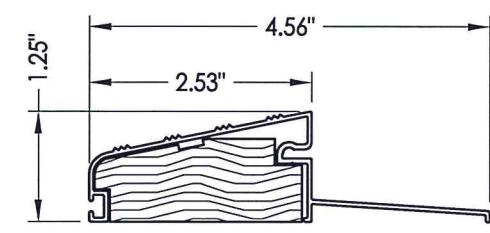
20 INSWING THRESHOLD DLP



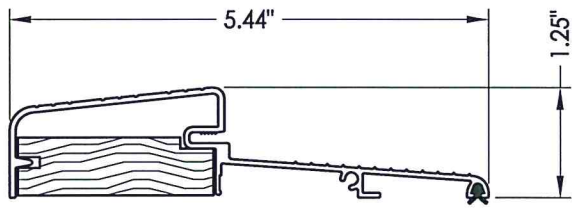
21 INSWING THRESHOLD w/ SIDELITE ADAPTER DLP



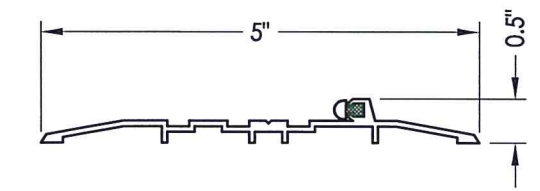
22 OUTSWING THRESHOLD DLP (QOS)



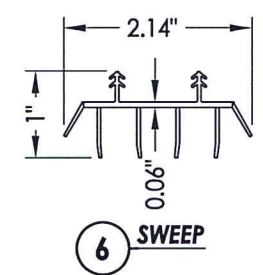
23 OUTSWING THRESHOLD DLP (QOSH)



24 OUTSWING THRESHOLD Combo



25 OUTSWING THRESHOLD DLP (OSHC)



6 SWEEP

- CONCRETE ANCHOR NOTES:**
- Concrete anchor locations at the corners may be adjusted to maintain the min. edge distance to mortar joints.
 - Concrete anchor locations noted as "MAX. ON CENTER" must be adjusted to maintain the min. edge distance to mortar joints, additional concrete anchors may be required to ensure the "MAX. ON CENTER" dimension are not exceeded.
 - Concrete anchor table:

ANCHOR TYPE	ANCHOR SIZE	MIN. EMBEDMENT	MIN. CLEARANCE TO MASONRY EDGE	MIN. CLEARANCE TO ADJACENT ANCHOR
ITW TAPCON®	3/16"	1-3/4"	3"	1-1/2"
DeWALT ULTRACON®	1/4"	1-3/4"	1-1/2"	4"
DeWALT ULTRACON®	1/4"	1-3/4"	1"	4"



Documents Prepared By: Lyndon F. Schmidt, P.E.
TEXAS P.E. #104123

RW BUILDING CONSULTANTS, INC.
P.O. Box 230 Valrico FL 33595
Phone No.: 813.659.9197

TEXAS BOARD OF PROFESSIONAL ENGINEERS
CERTIFICATE OF REGISTRATION # F-11852

PRODUCT: TAYLOR DOOR STEEL DOOR

PART OR ASSEMBLY: BILL OF MATERIALS & COMPONENTS

NO.	DATE	UPDATE TO 2018 IBC/IRC CODE	LFS	BY
1	8/18/20			

REVISIONS

DATE: 11/3/14
SCALE: N.T.S.
DWG. BY: JK
CHK. BY: LFS
DRAWING NO.: TX-4509
SHEET 9 OF 9