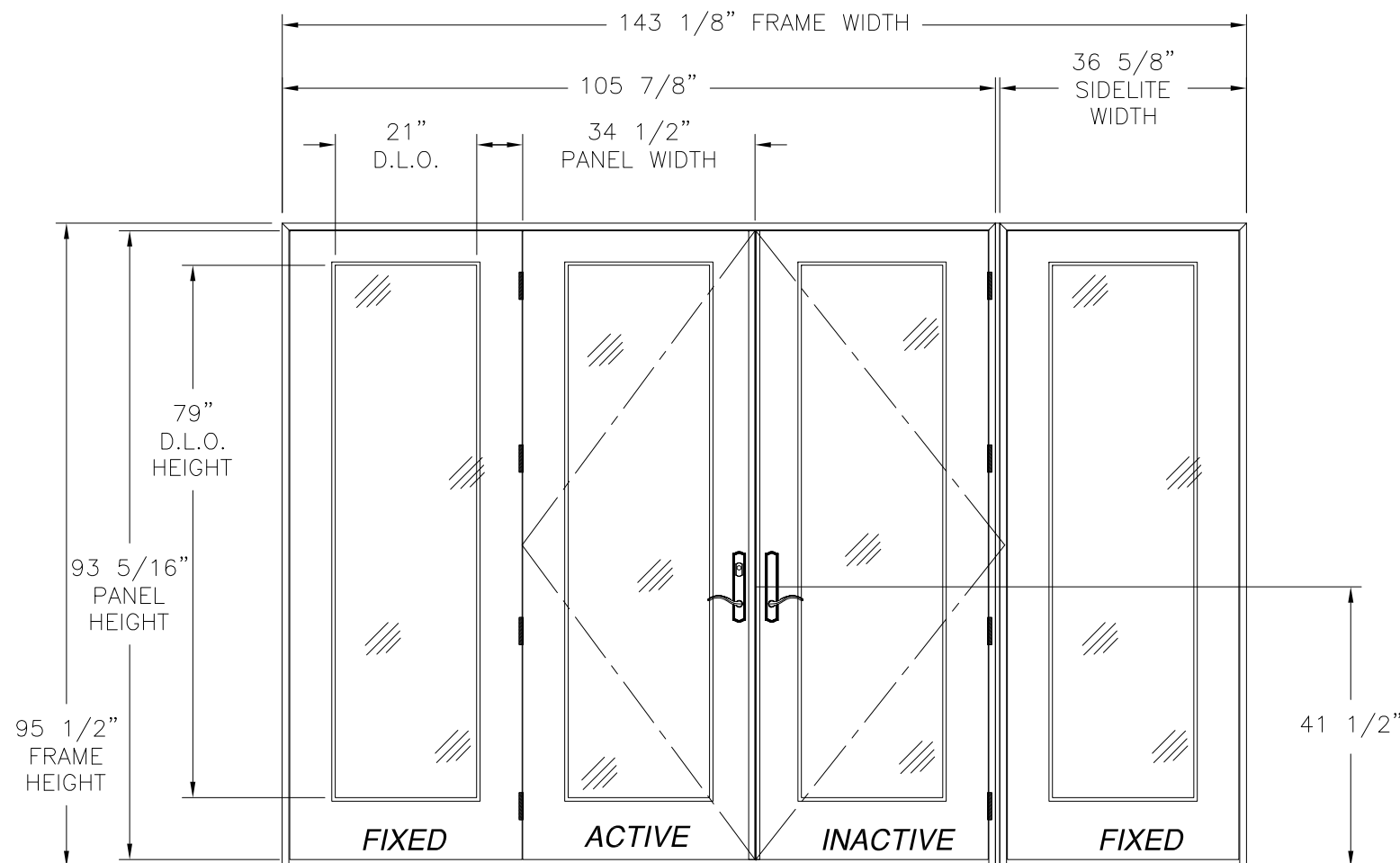


REVISIONS			
REV	DESCRIPTION	DATE	APPROVED
D	REVISED PER NEW REQUIREMENTS	12/19/19	R.L.



SERIES SLPS 8'0 HEIGHT OUT-SWING PATIO DOOR W/ SIDELITES
EXTERIOR VIEW

DESIGN PRESSURE RATING	IMPACT RATING
±70.0PSF	LARGE AND SMALL MISSILE IMPACT

MISSILE LEVEL D, WIND ZONE 4

OXX/O CONFIGURATION SHOWN, CONFIGURATIONS LISTED IN NOTE 9 ARE APPROVED AS LONG AS INDIVIDUAL PANEL AREA DOES NOT EXCEED 22.35 FT²

NOTES:

1. THE PRODUCT SHOWN HEREIN IS DESIGNED AND MANUFACTURED TO COMPLY WITH REQUIREMENTS OF THE 2006 IBC, 2006 IRC WITH STATE OF TEXAS MODIFICATIONS AND WITH THE 2015 IBC, 2015 IRC, 2018 IBC AND 2018 IRC.
2. WOOD FRAMING AND MASONRY OPENING TO BE DESIGNED AND ANCHORED TO PROPERLY TRANSFER ALL LOADS TO STRUCTURE. FRAMING AND MASONRY OPENING IS THE RESPONSIBILITY OF THE ARCHITECT OR ENGINEER OF RECORD.
3. 1X BUCK OVER MASONRY/CONCRETE IS OPTIONAL. WHERE 1X BUCK IS NOT USED DISSIMILAR MATERIALS MUST BE SEPARATED WITH APPROVED COATING OR MEMBRANE. SELECTION OF COATING OR MEMBRANE IS THE RESPONSIBILITY OF THE ARCHITECT OR ENGINEER OF RECORD.
4. UNITS MUST BE GLAZED PER ASTM E1300-04/09, SEE SHEET 5 FOR GLASS DETAILS.
5. APPROVED IMPACT PROTECTIVE SYSTEM IS NOT REQUIRED FOR THIS PRODUCT IN WIND BORNE DEBRIS REGIONS.
6. FRAME JAMB AND HEAD MATERIAL: CO-EXTRUDED PVC FOAM 1 1/2" THICK.
7. FRAME SILL MATERIAL: CO-EXTRUDED PVC FOAM 2" THICK WITH ALUMINUM CLADDING .063" THICK.
8. DOOR PANEL AND SIDELITE MATERIAL: .075" THICK FIBERGLASS SKIN WITH PVC FOAM TOP AND BOTTOM RAILS, AND PVC FOAM VERTICAL STILES WITH PINE REINFORCEMENTS AND POLYURETHANE FOAM CORE.
9. APPROVED CONFIGURATIONS: O, X, OX, XO, XX, OXO, XXO, OXX, OXXO, O/X, XX/O, OXX/O AND O/XX/O SEE SHEET 2.
10. HINGES LOCATED AT 8", 33 1/2", 59" AND 84 1/2" FROM BOTTOM OF PANEL

TABLE OF CONTENTS	
SHEET NO.	DESCRIPTION
1, 2	ELEVATION AND NOTES
3, 4	ANCHORING LAYOUTS
5 - 9	INSTALLATION DETAILS

NAN YA PLASTICS CORP. USA
8989 NORTH LOOP EAST
HOUSTON, TX 77029

SERIES SLPS 8'0" HEIGHT OS PATIO DOOR
FIBERGLASS SIDE HINGED DOOR W/SIDELITES
ELEVATION AND NOTES

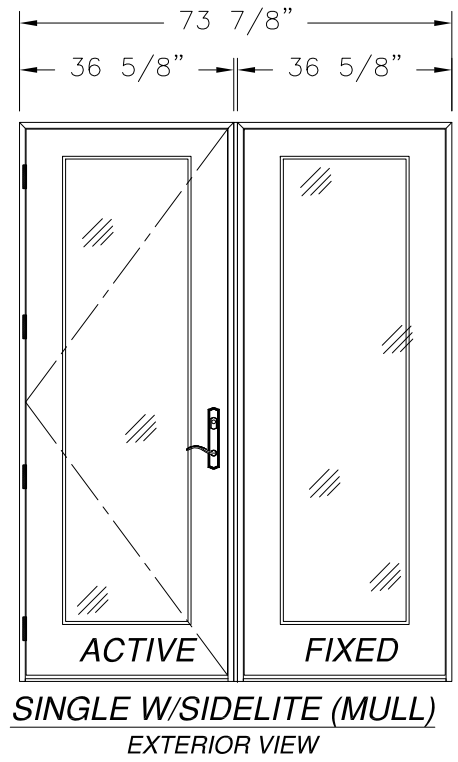
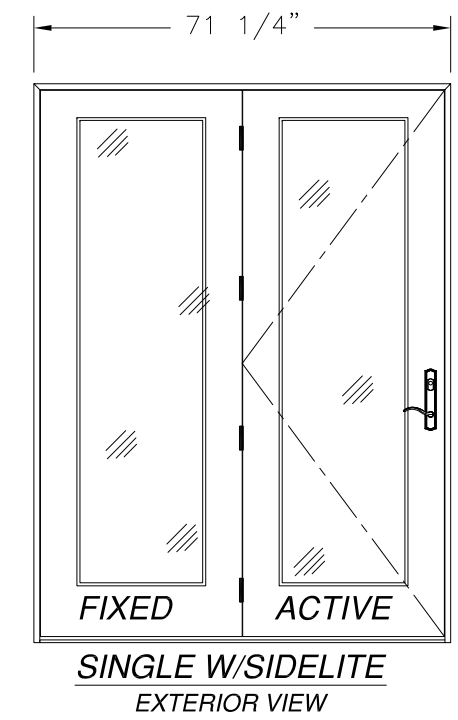
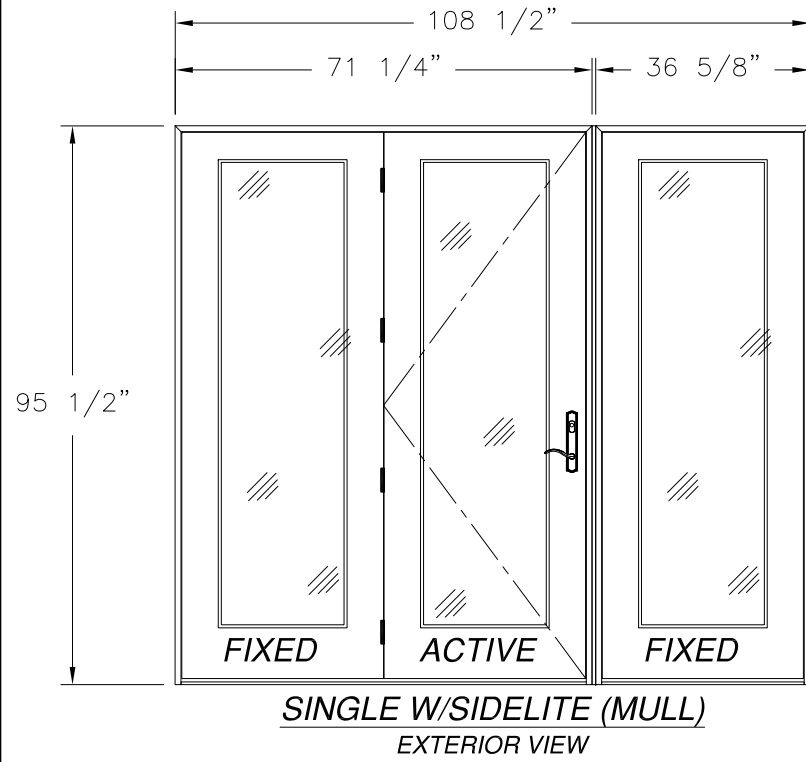
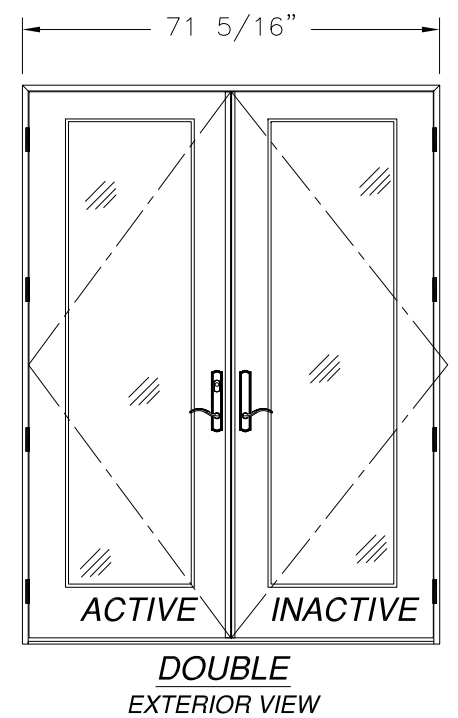
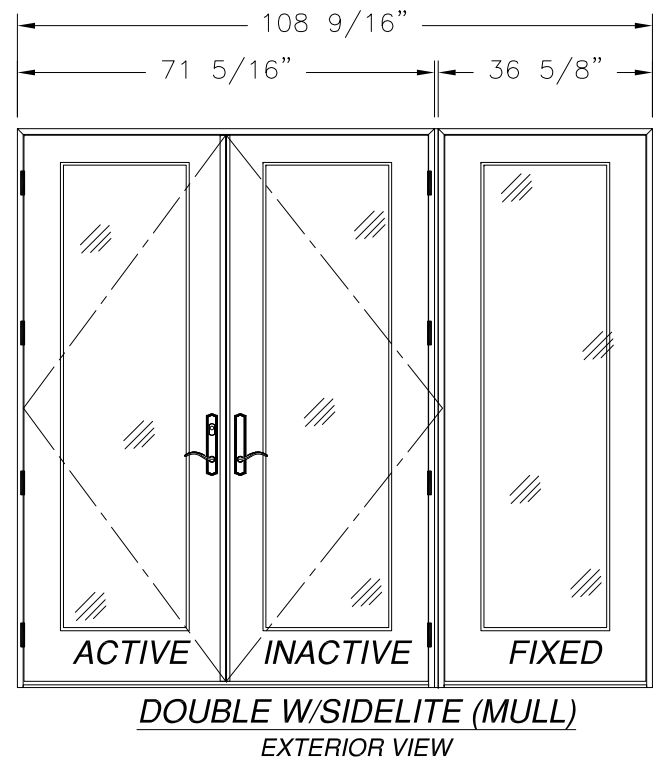
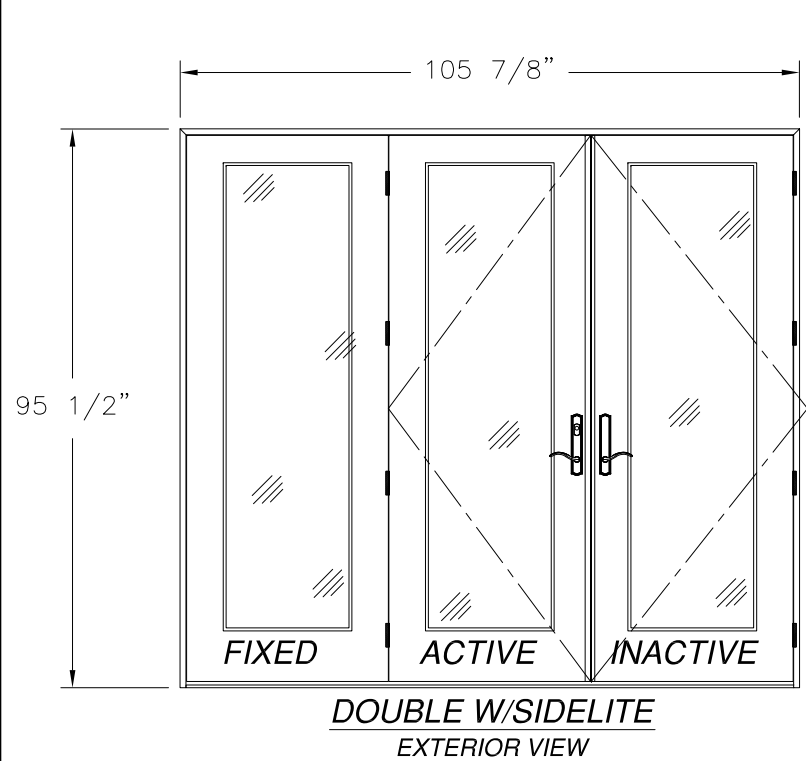
DRAWN: LMP	DWG NO. 08-01538	REV D
SCALE NTS	DATE 04/16/12	SHEET 1 OF 11

L. ROBERTO LOMAS P.E.
1432 WOODFORD RD LEWISVILLE, NC 27023
434-688-0609 rllomas@rlomaspe.com

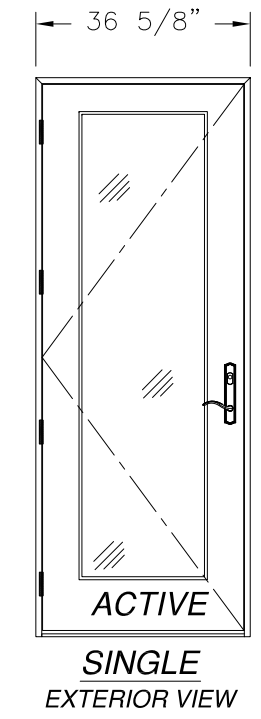
SIGNED: 01/21/2020



Luis R. Lomas P.E.
TX No.: 101889



REVISIONS			
REV	DESCRIPTION	DATE	APPROVED
D	REVISED PER NEW REQUIREMENTS	12/19/19	R.L.



NOTE:
ALL APPROVED CONFIGURATIONS ARE SHOWN AS LEFT
HAND ACTIVE, RIGHT HAND ACTIVE IS ALSO APPROVED.

SIGNED: 01/21/2020

HARDWARE SCHEDULE	
A.	(4) 4" STEEL HINGE
B.	3 POINT LOCK SYSTEM AT ACTIVE PANEL ASTRAGAL
C.	RIGID PVC ASTRAGAL WITH ALUMINUM REINFORCEMENT
D.	DRIVE BAR SYSTEM AT INACTIVE PANEL

NAN YA PLASTICS CORP. USA
8989 NORTH LOOP EAST
HOUSTON, TX 77029

SERIES SLPS 8'0" HEIGHT OS PATIO DOOR
FIBERGLASS SIDE HINGED DOOR W/SIDELITES
APPROVED CONFIGURATIONS

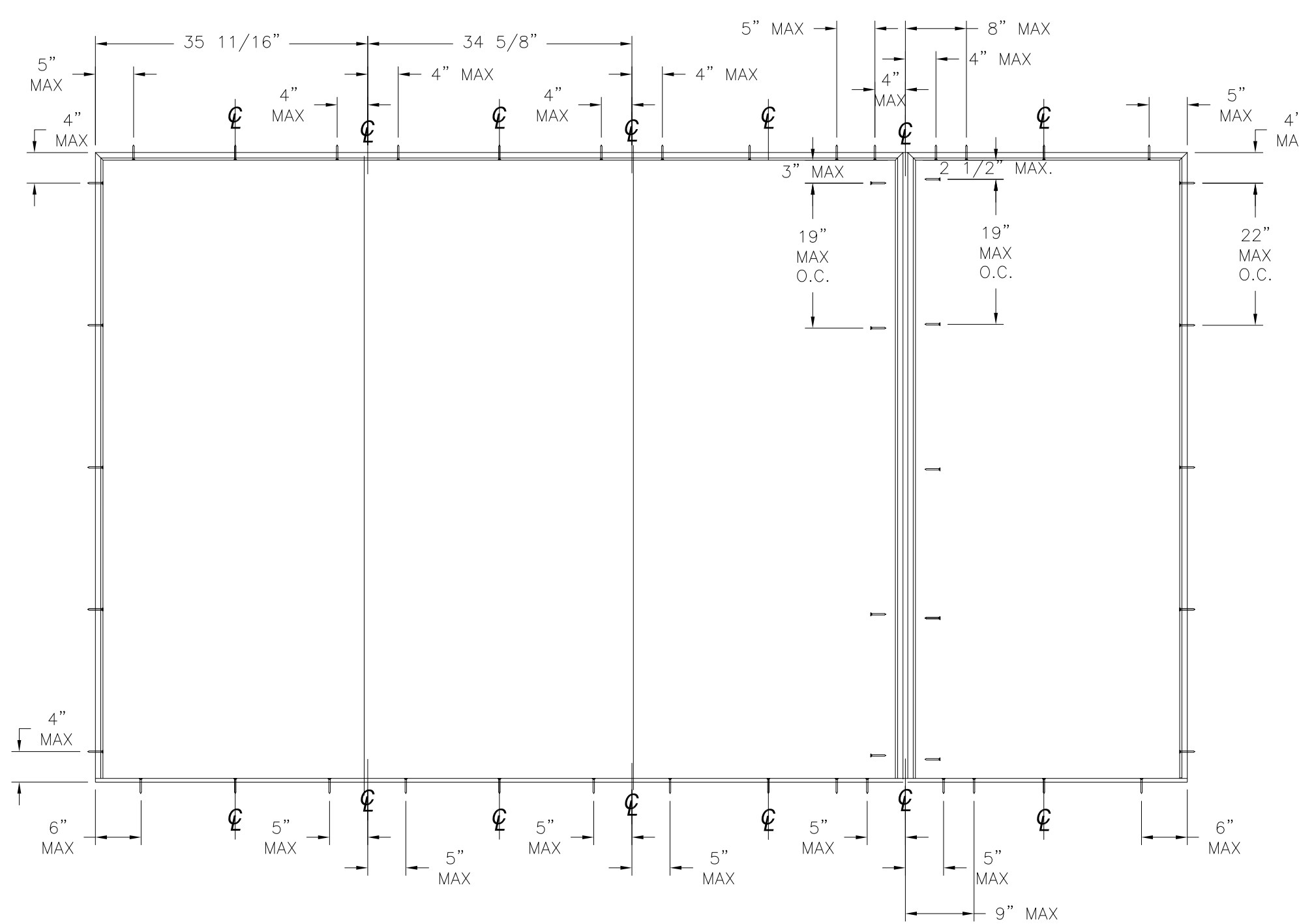
DRAWN: LMP	DWG NO. 08-01538	REV D
SCALE NTS	DATE 04/16/12	SHEET 2 OF 11

L. ROBERTO LOMAS P.E.
1432 WOODFORD RD LEWISVILLE, NC 27023
434-688-0609 rllomas@rlomaspe.com



Luis R. Lomas P.E.
TX No.: 101889

REVISIONS			
REV	DESCRIPTION	DATE	APPROVED
D	REVISED PER NEW REQUIREMENTS	12/19/19	R.L.



ANCHORING NOTES:

- 1) SHIM AS REQUIRED AT EACH INSTALLATION ANCHOR WITH LOAD BEARING SHIM. SHIM WHERE SPACE OF 1/16" OR GREATER OCCURS. MAXIMUM ALLOWABLE SHIM STACK TO BE 1/4".
- 2) FOR ANCHORING INTO MASONRY/CONCRETE USE 3/16" TAPCON OF SUFFICIENT LENGTH TO ACHIEVE A 1 1/4" MINIMUM EMBEDMENT INTO SUBSTRATE. LOCATE ANCHORS AS SHOWN IN ANCHORING LAYOUT AND INSTALLATION DETAILS.
- 3) FOR ANCHORING INTO 2X BUCK OR WOOD FRAMING USE #10 WOOD SCREW OF SUFFICIENT LENGTH TO ACHIEVE A 1 3/8" MINIMUM EMBEDMENT INTO SUBSTRATE. LOCATE ANCHORS AS SHOWN IN ANCHORING LAYOUT AND INSTALLATION DETAILS.
- 4) ALL FASTENERS TO BE CORROSION RESISTANT.
- 5) INSTALLATION ANCHORS SHALL BE INSTALLED IN ACCORDANCE WITH ANCHOR MANUFACTURER'S INSTALLATION INSTRUCTIONS, AND ANCHORS SHALL NOT BE USED IN SUBSTRATES WITH STRENGTHS LESS THAN THE MINIMUM STRENGTH SPECIFIED BELOW:
 - A. WOOD – MINIMUM SPECIFIC GRAVITY OF G=0.46
 - B. CONCRETE – MINIMUM COMPRESSIVE STRENGTH OF 3,200 PSI.
 - C. MASONRY – GROUT FILLED BLOCK PER ASTM C90 WITH Fm=2,000PSI MINIMUM.

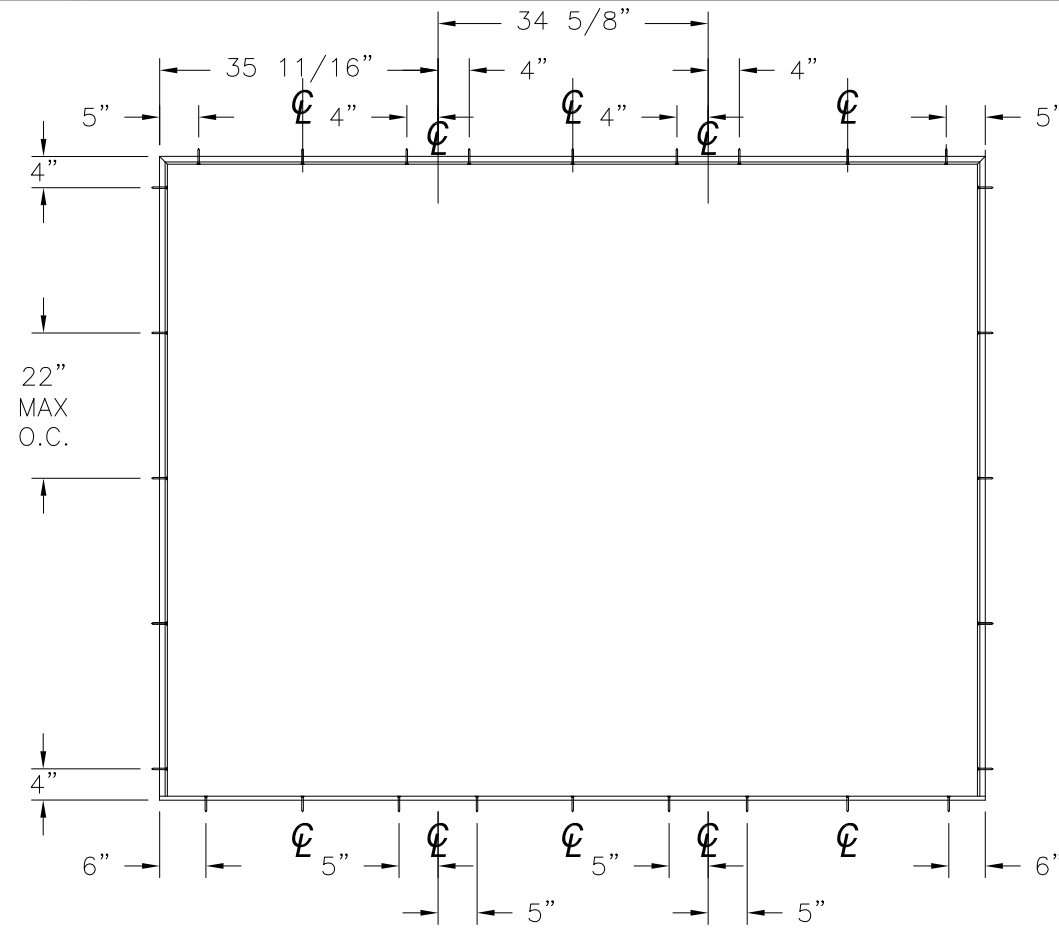
ANCHORING LAYOUT

SIGNED: 01/21/2020

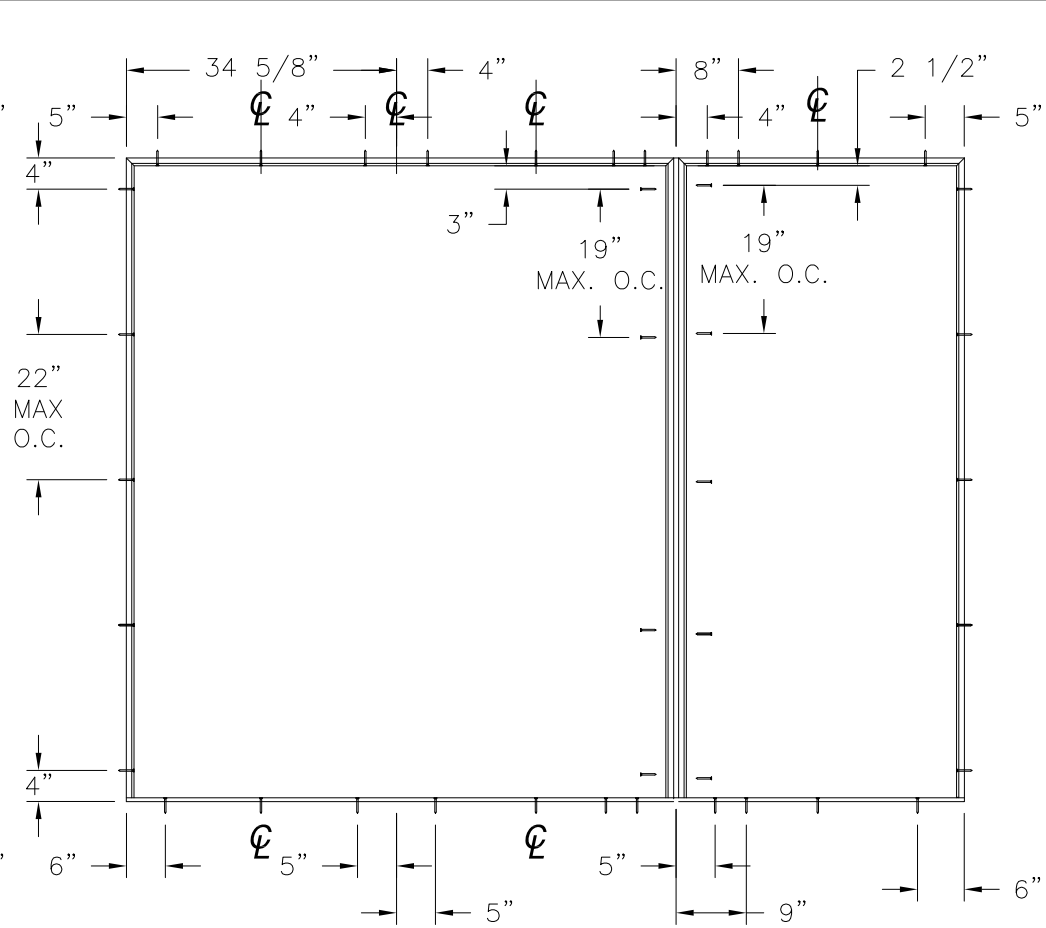
NAN YA PLASTICS CORP. USA 8989 NORTH LOOP EAST HOUSTON, TX 77029		
SERIES SLPS 8'0" HEIGHT OS PATIO DOOR FIBERGLASS SIDE HINGED DOOR W/SIDELITES ANCHORING LAYOUT		
DRAWN: LMP	DWG NO. 08-01538	REV D
SCALE NTS	DATE 04/16/12	SHEET 3 OF 11
L. ROBERTO LOMAS P.E. 1432 WOODFORD RD LEWISVILLE, NC 27023 434-688-0609 rllomas@rlomaspe.com		



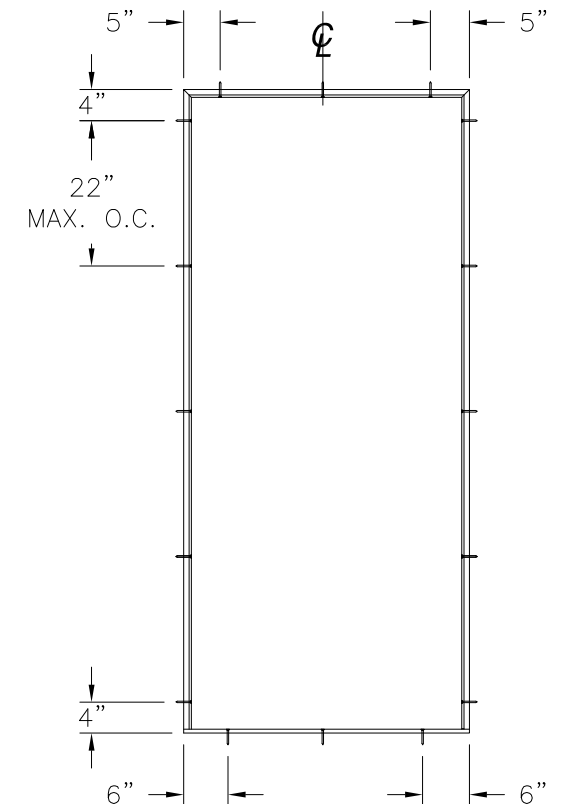
Luis R. Lomas P.E.
TX No.: 101889



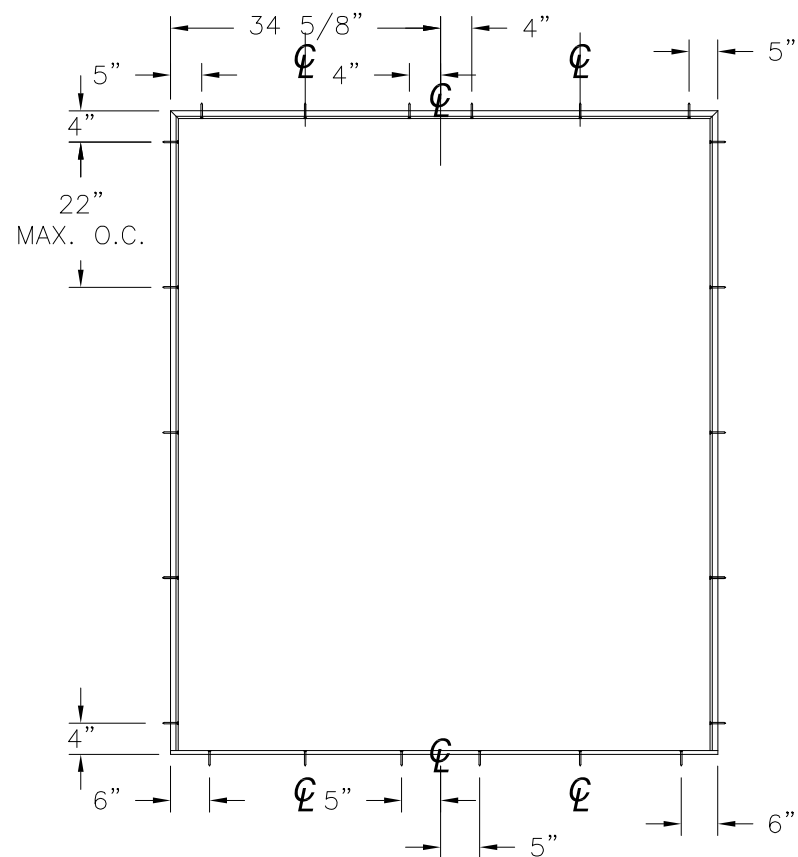
ANCHORING LAYOUT FOR OXO, XXO AND OXX



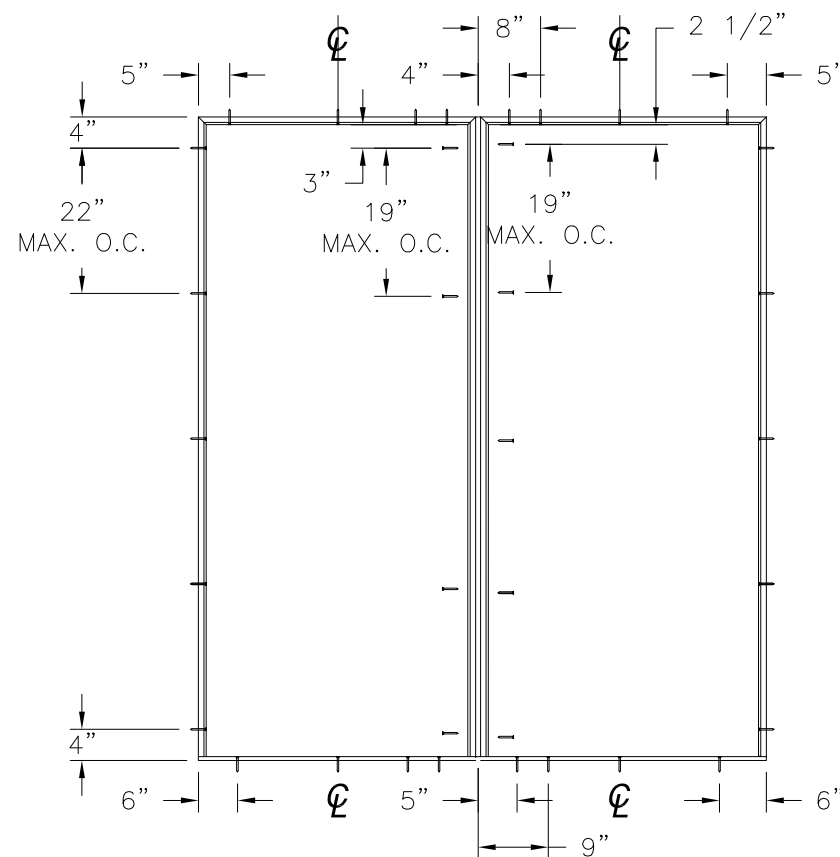
ANCHORING LAYOUT FOR OXO, XXO AND OXX (MULL)



ANCHORING LAYOUT FOR X



ANCHORING LAYOUT FOR XX, OX AND XO



ANCHORING LAYOUT FOR OX AND XO (MULL)

REVISIONS			
REV	DESCRIPTION	DATE	APPROVED
D	REVISED PER NEW REQUIREMENTS	12/19/19	R.L.

NAN YA PLASTICS CORP. USA
 8989 NORTH LOOP EAST
 HOUSTON, TX 77029

SERIES SLPS 8'0" HEIGHT OS PATIO DOOR
 FIBERGLASS SIDE HINGED DOOR W/SIDELITES
 ANCHORING LAYOUTS

DRAWN: LMP	DWG NO. 08-01538	REV D
SCALE NTS	DATE 04/16/12	SHEET 4 OF 11

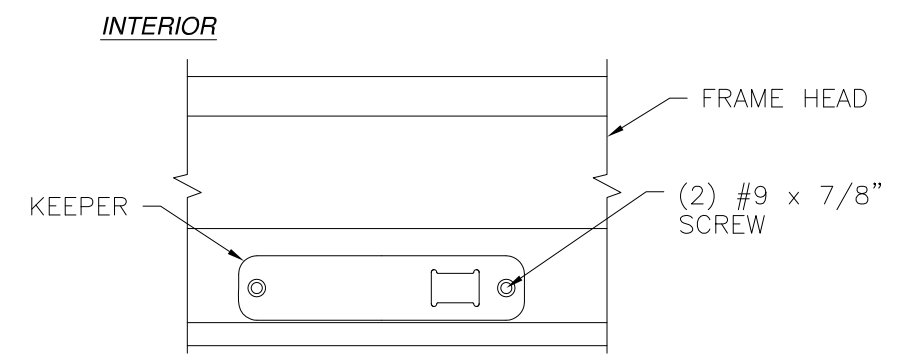
L. ROBERTO LOMAS P.E.
 1432 WOODFORD RD LEWISVILLE, NC 27023
 434-688-0609 rllomas@lrlomaspe.com

SIGNED: 01/21/2020

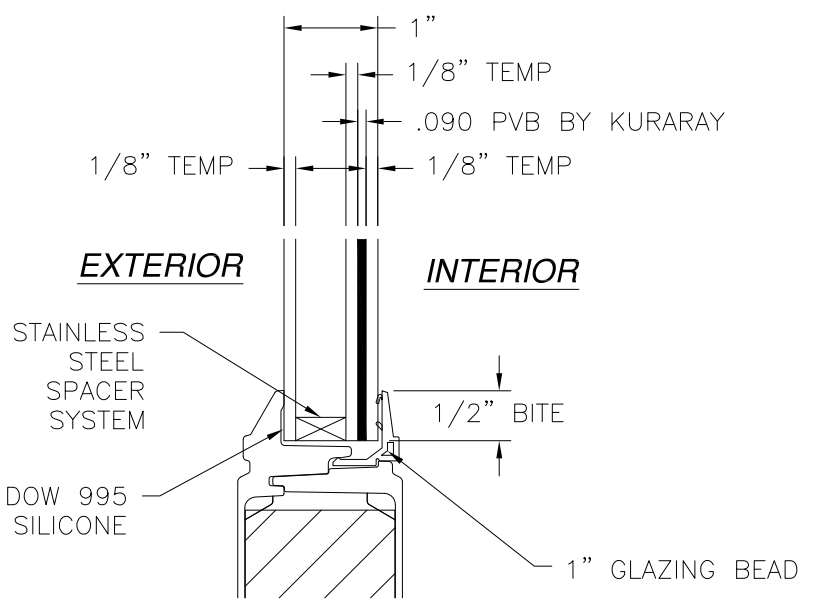


Luis R. Lomas P.E.
 TX No.: 101889

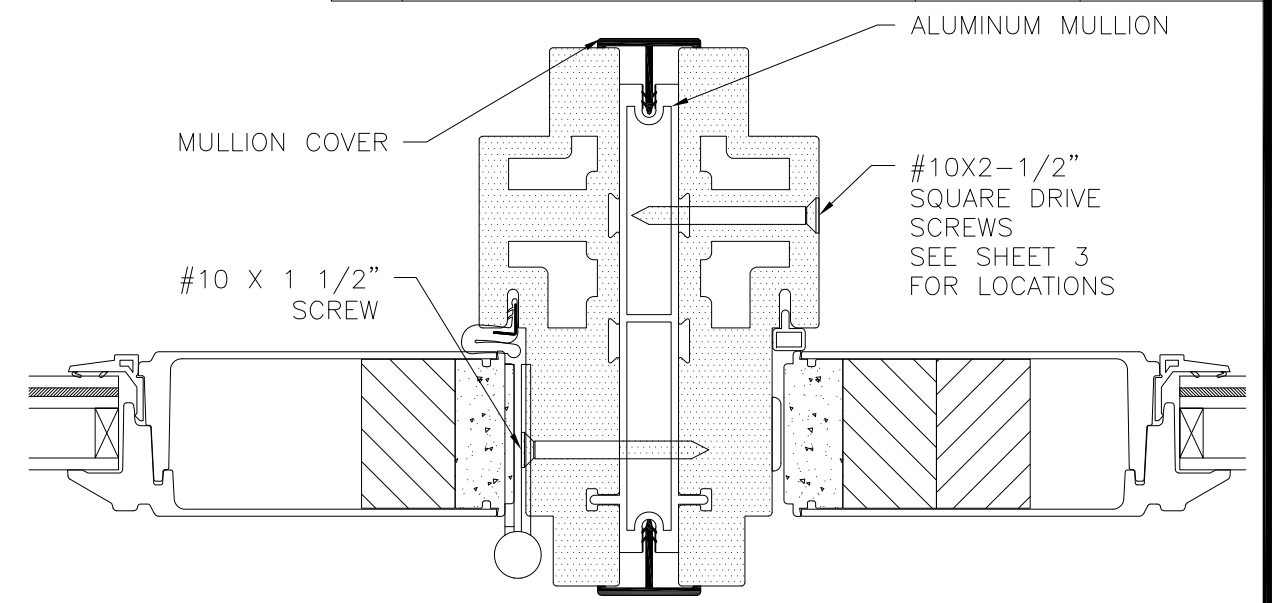
REVISIONS			
REV	DESCRIPTION	DATE	APPROVED
D	REVISED PER NEW REQUIREMENTS	12/19/19	R.L.



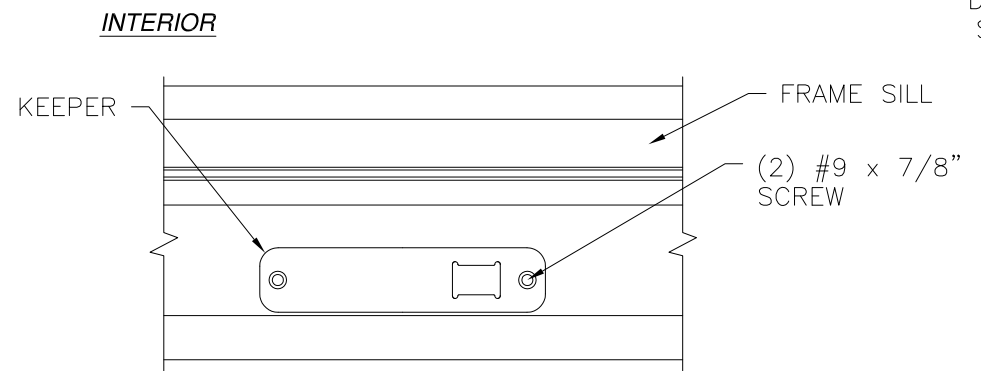
HEAD KEEPER DETAIL



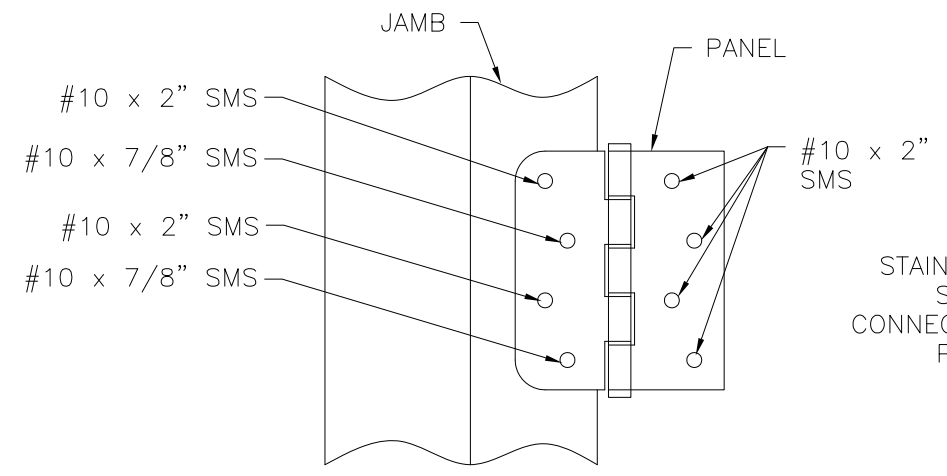
GLAZING DETAIL



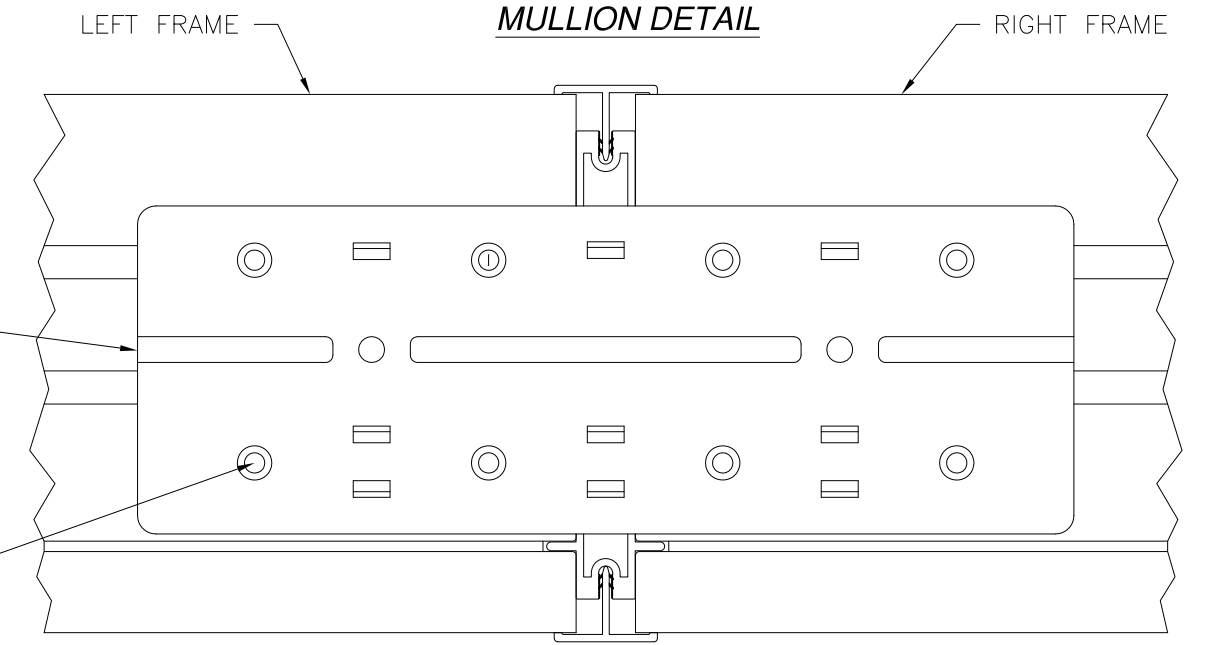
MULLION DETAIL



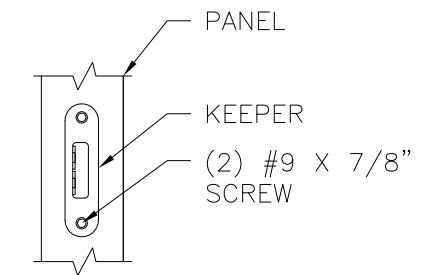
SILL KEEPER DETAIL



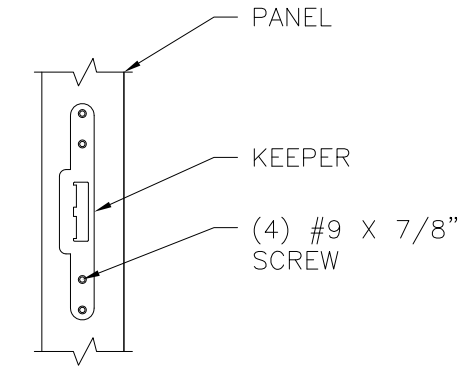
HINGE INSTALLATION DETAIL



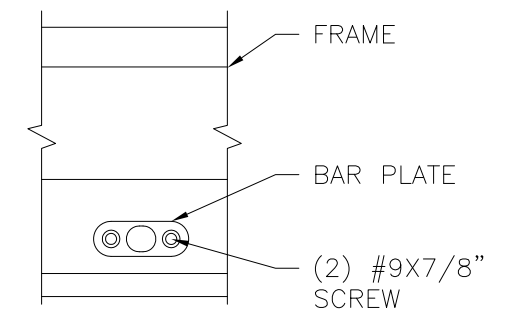
FRAME CONNECTION DETAIL



HOOK KEEPER DETAIL



LOCK KEEPER DETAIL



DRIVE BAR PLATE DETAIL

SIGNED: 01/21/2020

NAN YA PLASTICS CORP. USA
 8989 NORTH LOOP EAST
 HOUSTON, TX 77029

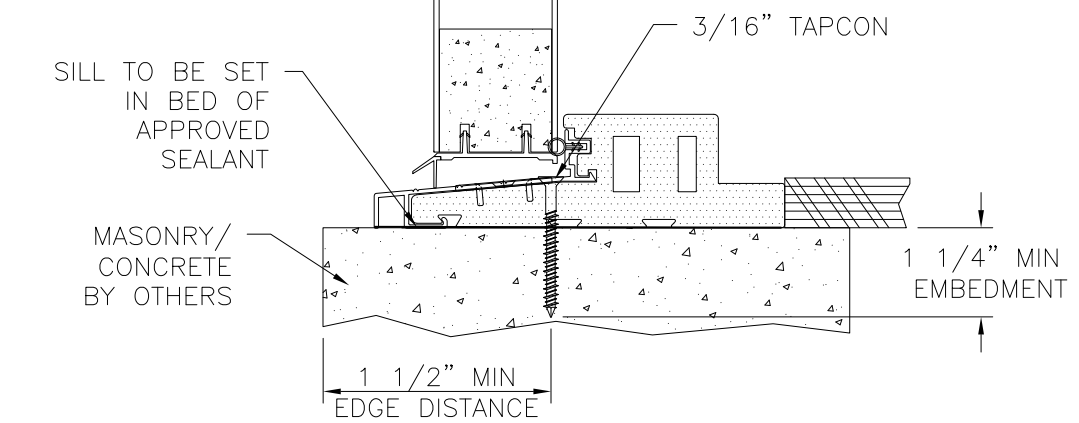
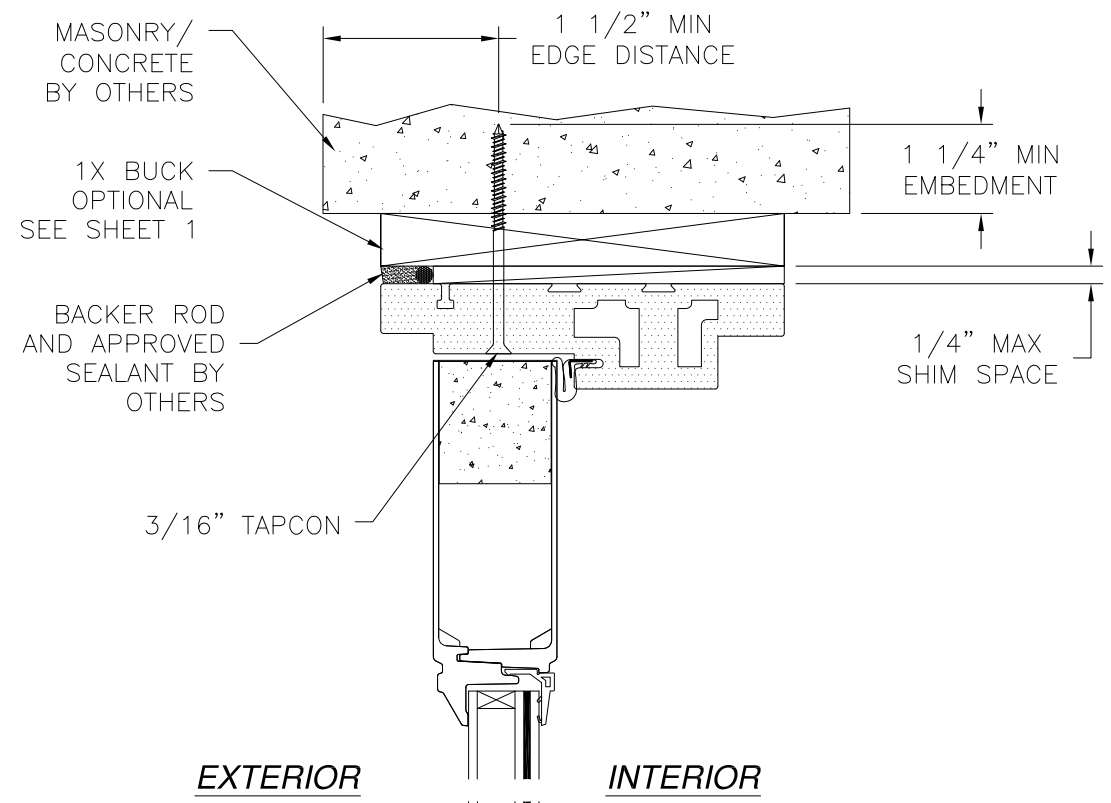
SERIES SLPS 8'0" HEIGHT OS PATIO DOOR
 FIBERGLASS SIDE HINGED DOOR W/SIDELITES
 INSTALLATION DETAILS

DRAWN: LMP	DWG NO. 08-01538	REV D
SCALE NTS	DATE 04/16/12	SHEET 5 OF 11

L. ROBERTO LOMAS P.E.
 1432 WOODFORD RD LEWISVILLE, NC 27023
 434-688-0609 rllomas@rlomaspe.com

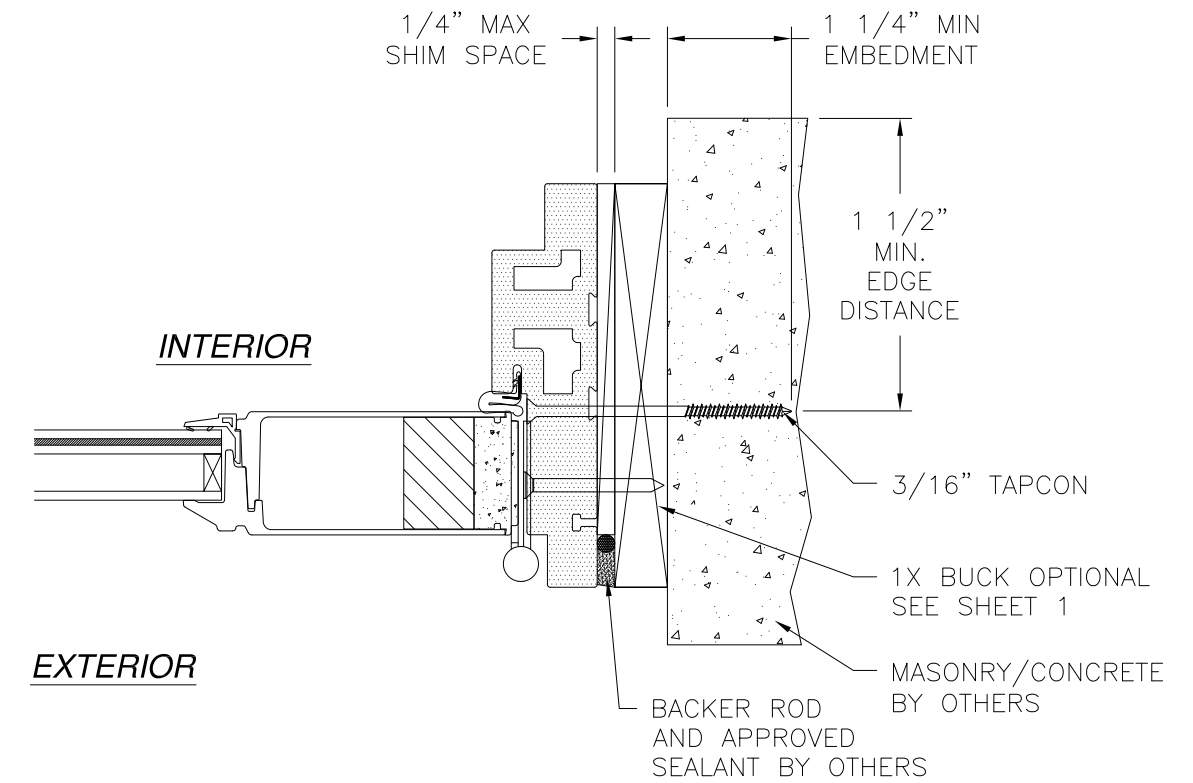


Luis R. Lomas P.E.
 TX No.: 101889



DOOR VERTICAL CROSS SECTION
MASONRY/CONCRETE INSTALLATION

REVISIONS			
REV	DESCRIPTION	DATE	APPROVED
D	REVISED PER NEW REQUIREMENTS	12/19/19	R.L.



DOOR HORIZONTAL CROSS SECTION
MASONRY/CONCRETE INSTALLATION

- NOTES:
 1. INTERIOR AND EXTERIOR FINISHES, BY OTHERS, NOT SHOWN FOR CLARITY.
 2. PERIMETER AND JOINT SEALANT BY OTHERS TO BE DESIGNED IN ACCORDANCE WITH ASTM E2112

SIGNED: 01/21/2020

NAN YA PLASTICS CORP. USA
 8989 NORTH LOOP EAST
 HOUSTON, TX 77029

SERIES SLPS 8'0" HEIGHT OS PATIO DOOR
 FIBERGLASS SIDE HINGED DOOR W/SIDELITES
 INSTALLATION DETAILS

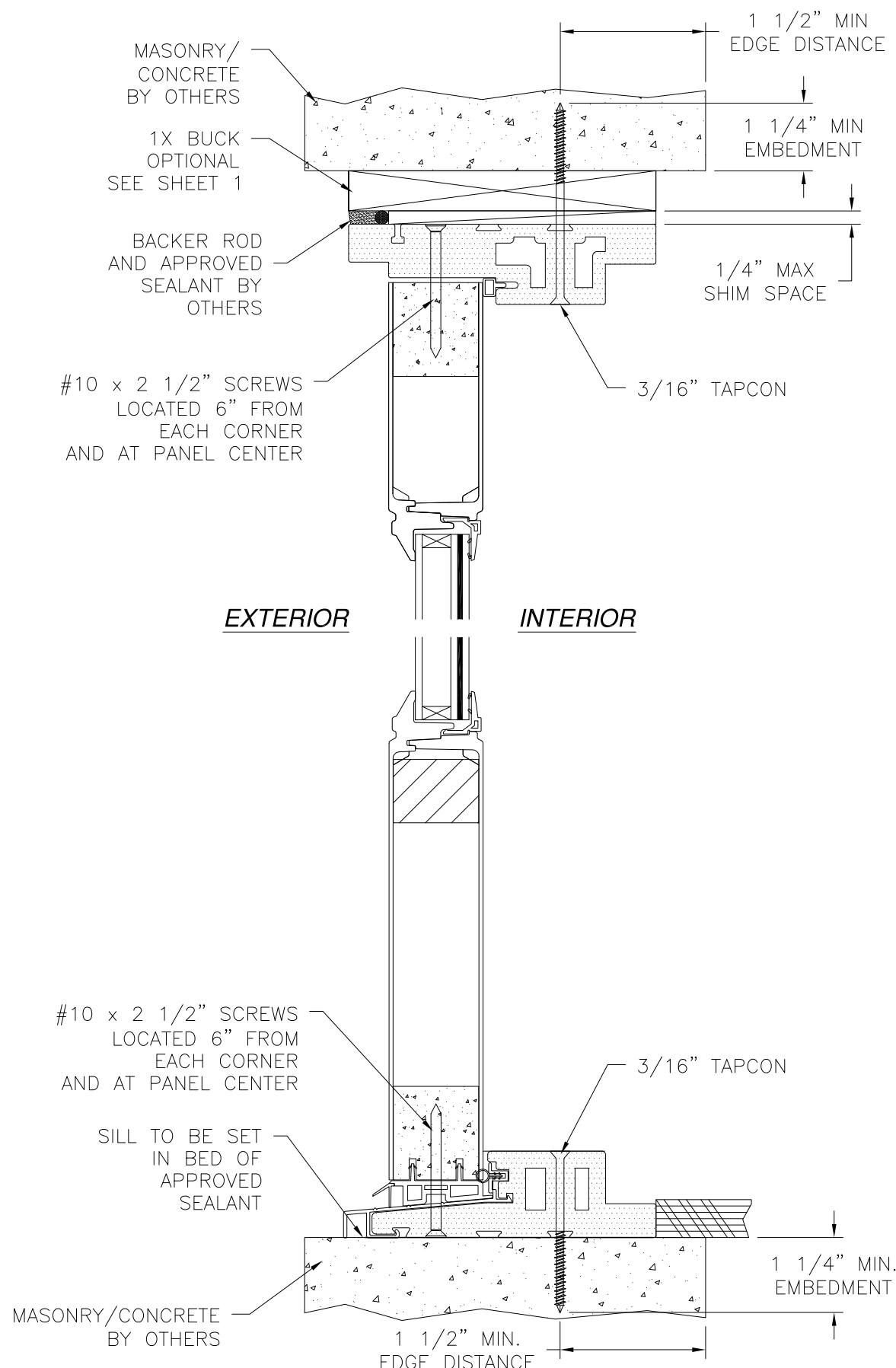
DRAWN: LMP	DWG NO. 08-01538	REV D
SCALE NTS	DATE 04/16/12	SHEET 6 OF 11

L. ROBERTO LOMAS P.E.
 1432 WOODFORD RD LEWISVILLE, NC 27023
 434-688-0609 rllomas@lrlomaspe.com

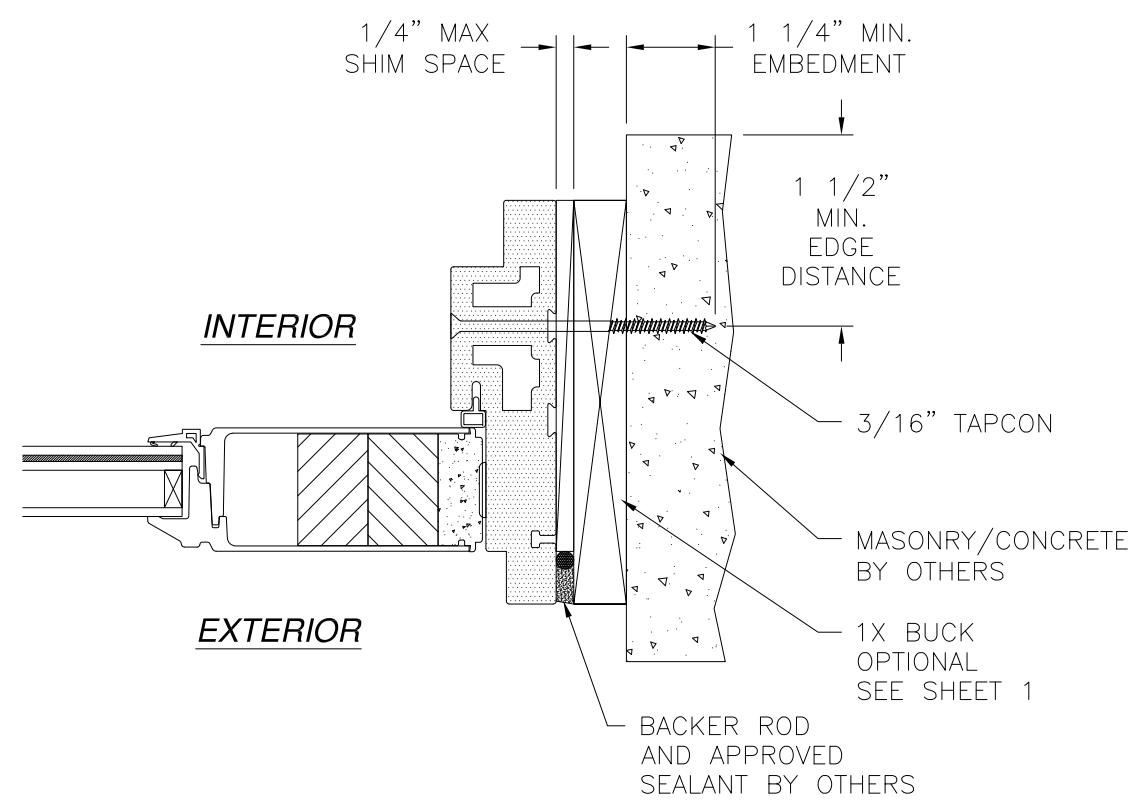


Luis R. Lomas P.E.
 TX No.: 101889

REVISIONS			
REV	DESCRIPTION	DATE	APPROVED
D	REVISED PER NEW REQUIREMENTS	12/19/19	R.L.



SIDELITE VERTICAL CROSS SECTION
MASONRY/CONCRETE INSTALLATION



SIDELITE HORIZONTAL CROSS SECTION
MASONRY/CONCRETE INSTALLATION

- NOTES:**
1. INTERIOR AND EXTERIOR FINISHES, BY OTHERS, NOT SHOWN FOR CLARITY.
 2. PERIMETER AND JOINT SEALANT BY OTHERS TO BE DESIGNED IN ACCORDANCE WITH ASTM E2112

SIGNED: 01/21/2020

NAN YA PLASTICS CORP. USA
8989 NORTH LOOP EAST
HOUSTON, TX 77029

SERIES SLPS 8'0" HEIGHT OS PATIO DOOR
FIBERGLASS SIDE HINGED DOOR W/SIDELITES
INSTALLATION DETAILS

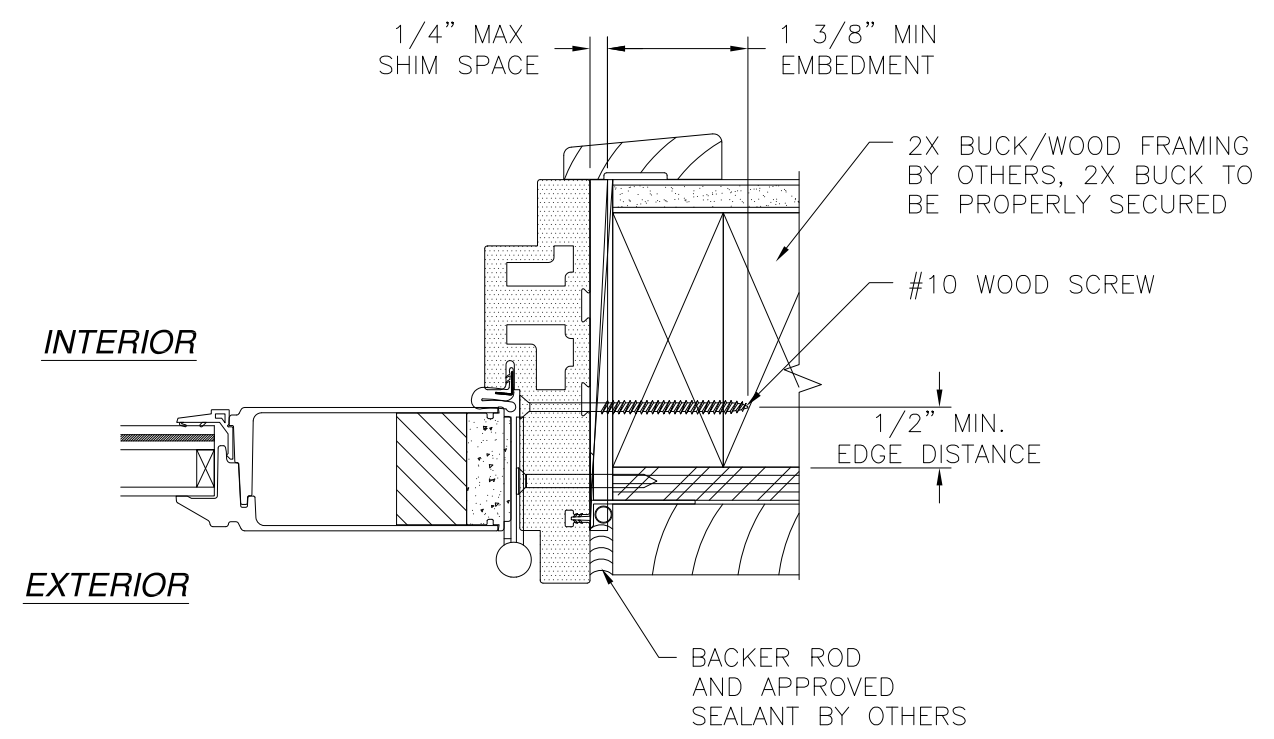
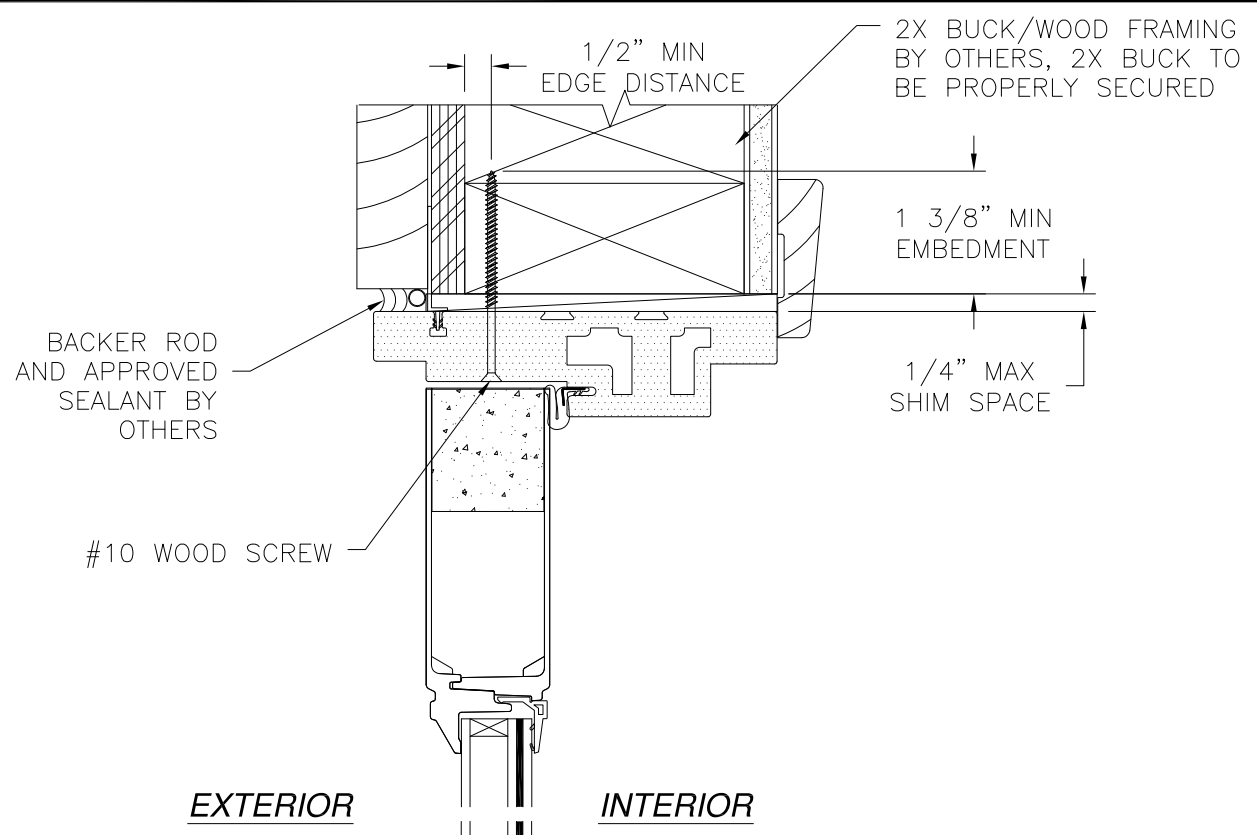
DRAWN: LMP	DWG NO. 08-01538	REV D
SCALE NTS	DATE 04/16/12	SHEET 7 OF 11

L. ROBERTO LOMAS P.E.
1432 WOODFORD RD LEWISVILLE, NC 27023
434-688-0609 rllomas@lrlomaspe.com

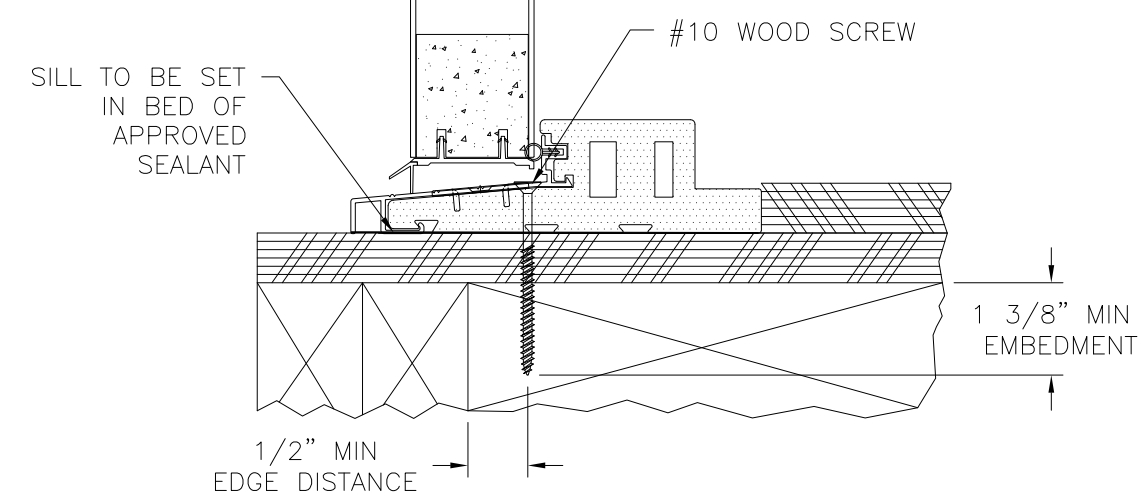


Luis R. Lomas P.E.
TX No.: 101889

REVISIONS			
REV	DESCRIPTION	DATE	APPROVED
D	REVISED PER NEW REQUIREMENTS	12/19/19	R.L.



DOOR HORIZONTAL CROSS SECTION
2X BUCK/WOOD FRAMING INSTALLATION



DOOR VERTICAL CROSS SECTION
2X BUCK/WOOD FRAMING INSTALLATION

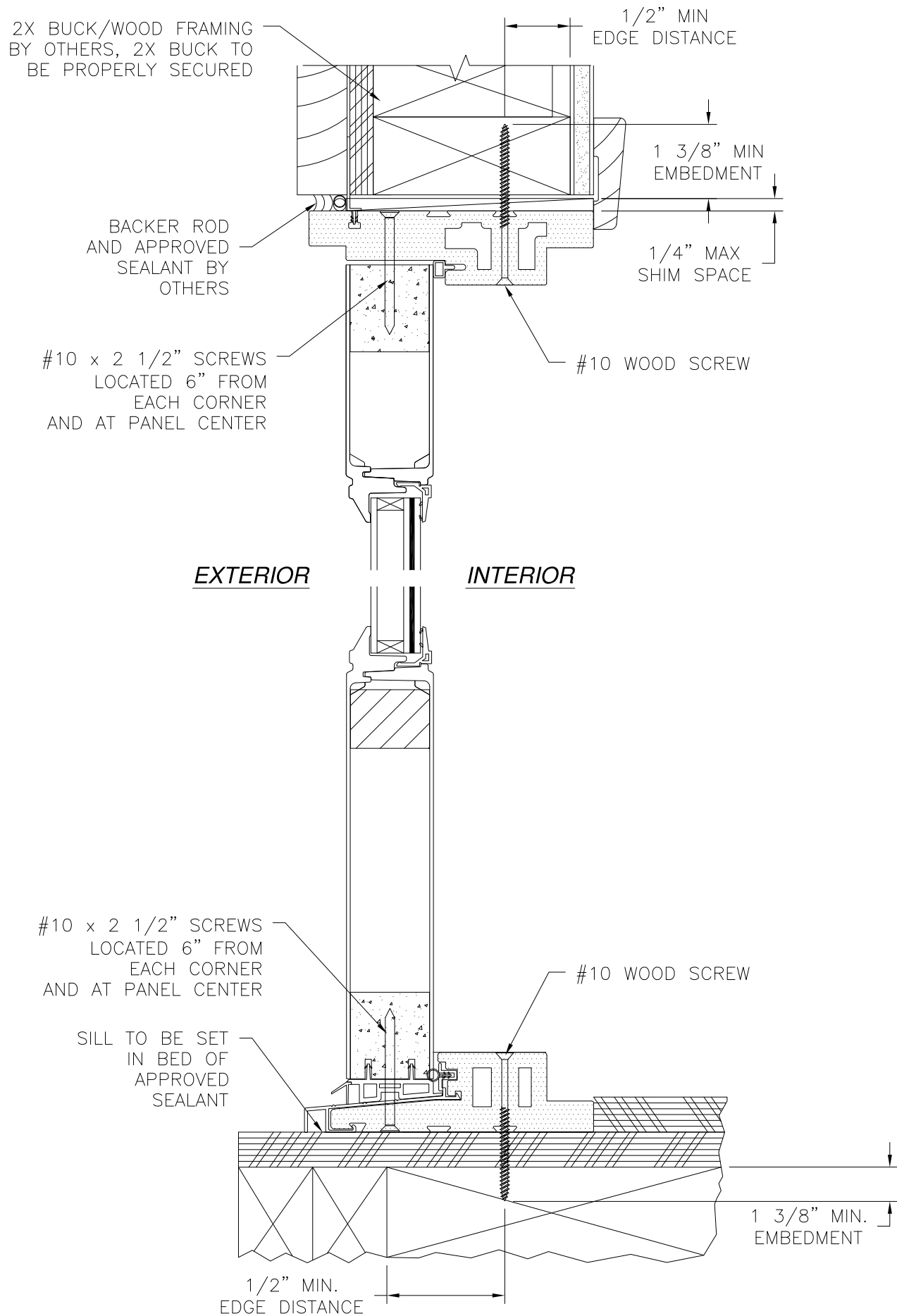
- NOTES:**
1. INTERIOR AND EXTERIOR FINISHES, BY OTHERS, NOT SHOWN FOR CLARITY.
 2. PERIMETER AND JOINT SEALANT BY OTHERS TO BE DESIGNED IN ACCORDANCE WITH ASTM E2112

SIGNED: 01/21/2020

<p>NAN YA PLASTICS CORP. USA 8989 NORTH LOOP EAST HOUSTON, TX 77029</p>		
<p>SERIES SLPS 8'0" HEIGHT OS PATIO DOOR FIBERGLASS SIDE HINGED DOOR W/SIDELITES INSTALLATION DETAILS</p>		
DRAWN: LMP	DWG NO. 08-01538	REV D
SCALE NTS	DATE 04/16/12	SHEET 8 OF 11
<p>L. ROBERTO LOMAS P.E. 1432 WOODFORD RD LEWISVILLE, NC 27023 434-688-0609 rllomas@rlomaspe.com</p>		

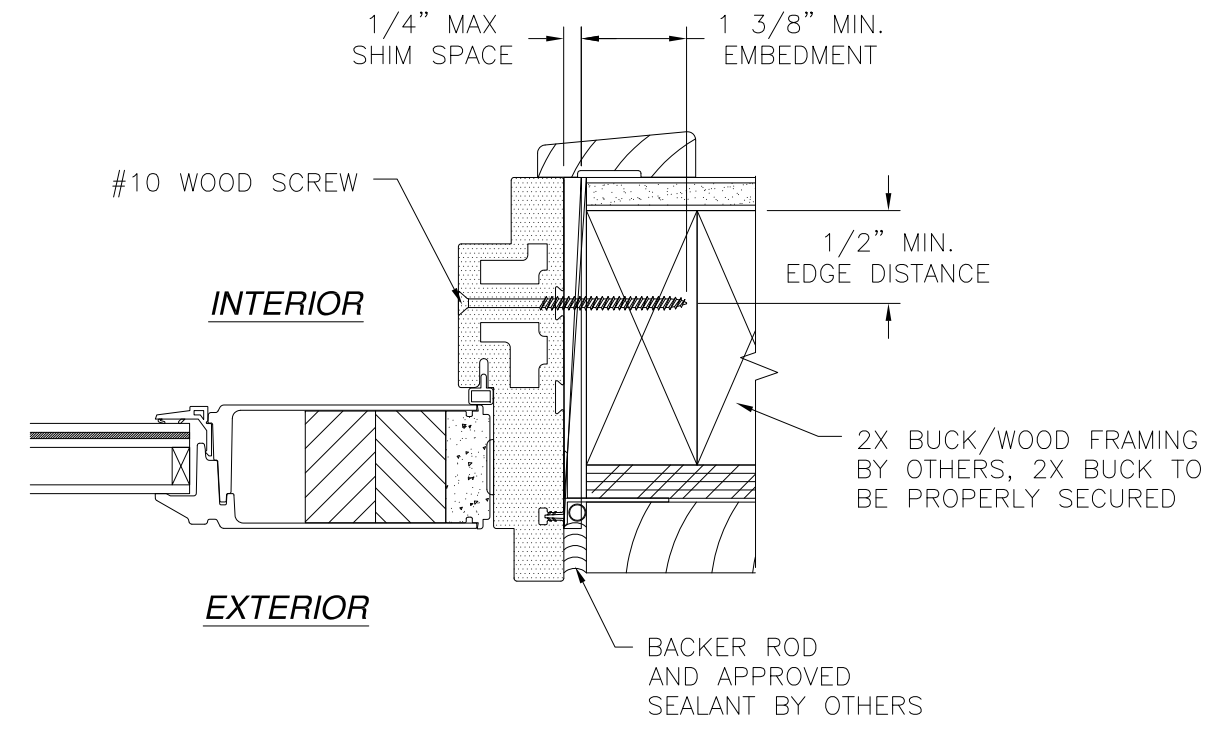


Luis R. Lomas P.E.
TX No.: 101889



SIDELITE VERTICAL CROSS SECTION
2X BUCK/WOOD FRAMING INSTALLATION

REVISIONS			
REV	DESCRIPTION	DATE	APPROVED
D	REVISED PER NEW REQUIREMENTS	12/19/19	R.L.



SIDELITE HORIZONTAL CROSS SECTION
2X BUCK/WOOD FRAMING INSTALLATION

- NOTES:**
1. INTERIOR AND EXTERIOR FINISHES, BY OTHERS, NOT SHOWN FOR CLARITY.
 2. PERIMETER AND JOINT SEALANT BY OTHERS TO BE DESIGNED IN ACCORDANCE WITH ASTM E2112

SIGNED: 01/21/2020

NAN YA PLASTICS CORP. USA
8989 NORTH LOOP EAST
HOUSTON, TX 77029

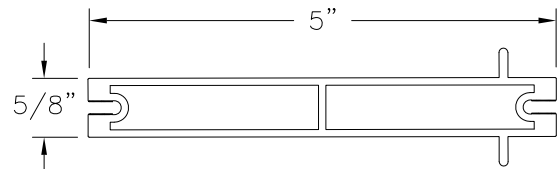
SERIES SLPS 8'0" HEIGHT OS PATIO DOOR
FIBERGLASS SIDE HINGED DOOR W/SIDELITES
INSTALLATION DETAILS

DRAWN: LMP	DWG NO. 08-01538	REV D
SCALE NTS	DATE 04/16/12	SHEET 9 OF 11

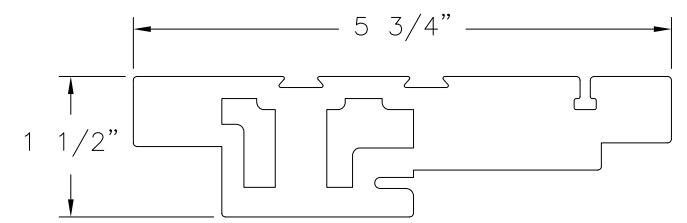
L. ROBERTO LOMAS P.E.
1432 WOODFORD RD LEWISVILLE, NC 27023
434-688-0609 rllomas@rlomaspe.com



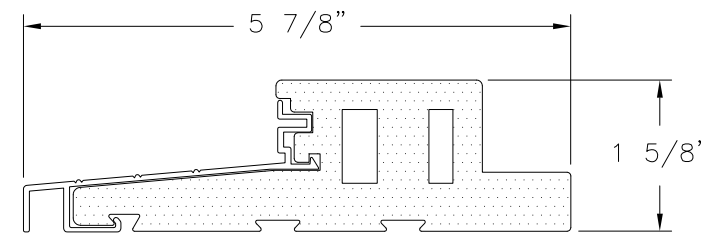
Luis R. Lomas P.E.
TX No.: 101889



ALUMINUM MULLION
ALUMINUM

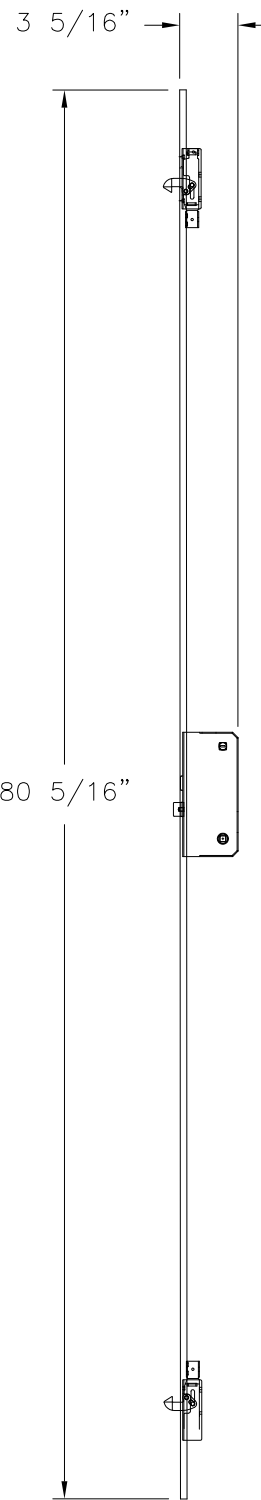


HEAD FRAME & JAMB
FOAM PVC CO-EX

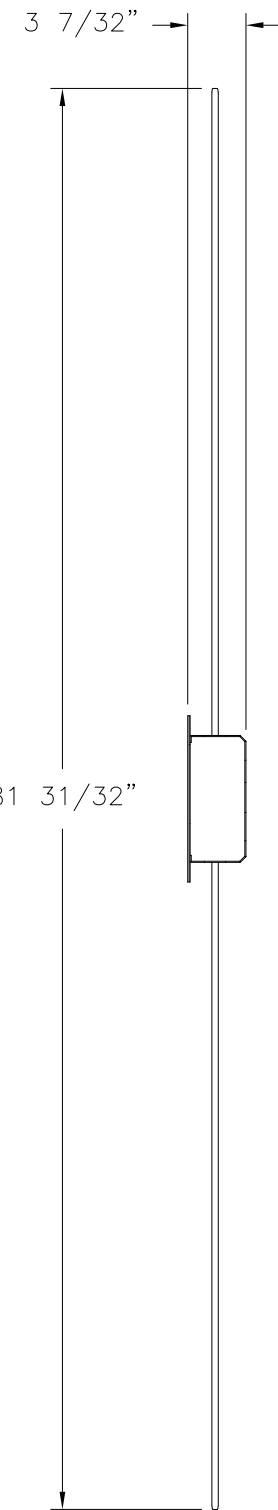


OUTSWING DOOR SILL DETAIL
FOAM PVC CO-EX & ALUMINUM

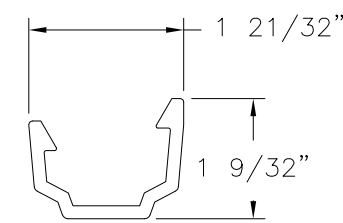
REVISIONS			
REV	DESCRIPTION	DATE	APPROVED
D	REVISED PER NEW REQUIREMENTS	12/19/19	R.L.



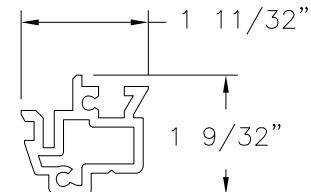
MULTI-POINT LOCKING SYSTEM
STAINLESS STEEL
BY MICOTA TECH



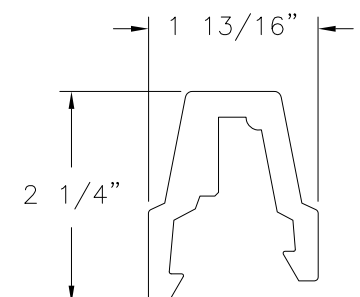
TOP/BOTTOM DRIVE BAR SYSTEM
STAINLESS STEEL
BY MICOTA TECH



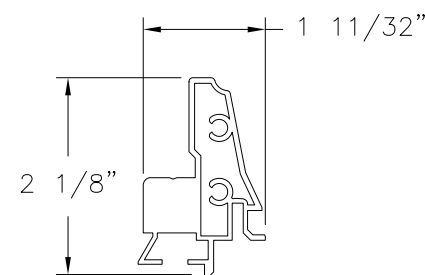
T-ASTRAGAL (A)
RIGID PVC



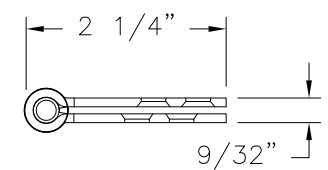
REINFORCEMENT (A)
ALUMINUM



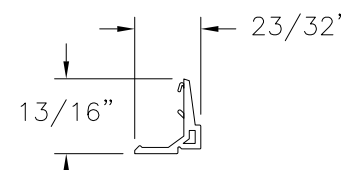
MULLION COVER (B)
FOAM PVC



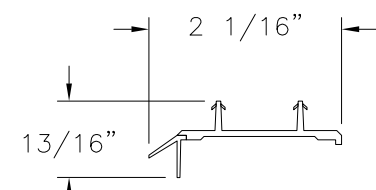
REINFORCEMENT (B)
ALUMINUM



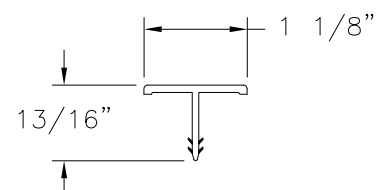
4" X 4" DOOR HINGE
STEEL



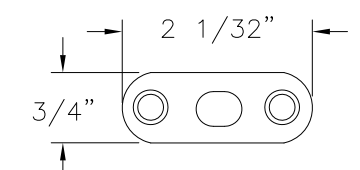
1" GLAZING BEAD
PVC



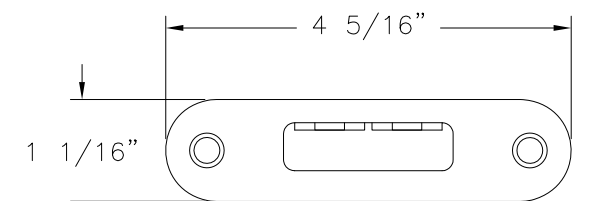
DOOR BOTTOM-B
PVC CO-EX



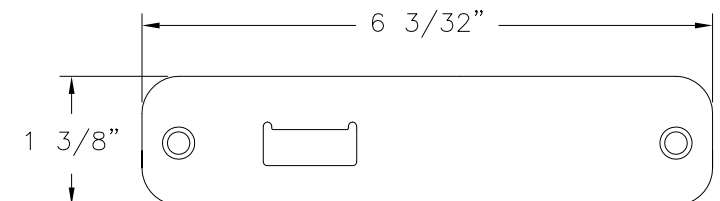
MULLION COVER
PVC CO-EX



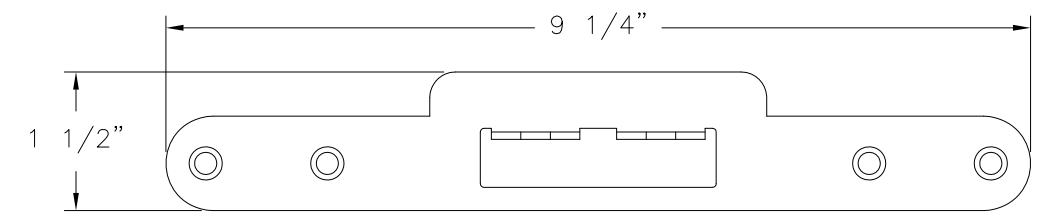
DRIVE BAR PLATE
STAINLESS STEEL



HOOK KEEPER
STAINLESS STEEL (SS92G)



TOP/BOTTOM BAR KEEPER
STAINLESS STEEL (SS92H)



SLAB MULTI-POINT LOCK KEEPER
STAINLESS STEEL (SS92G)

NAN YA PLASTICS CORP. USA
8989 NORTH LOOP EAST
HOUSTON, TX 77029

SERIES SLPS 8'0" HEIGHT OS PATIO DOOR
FIBERGLASS SIDE HINGED DOOR W/SIDELITES
COMPONENTS

DRAWN: LMP	DWG NO. 08-01538	REV D
SCALE NTS	DATE 04/16/12	SHEET 10 OF 11

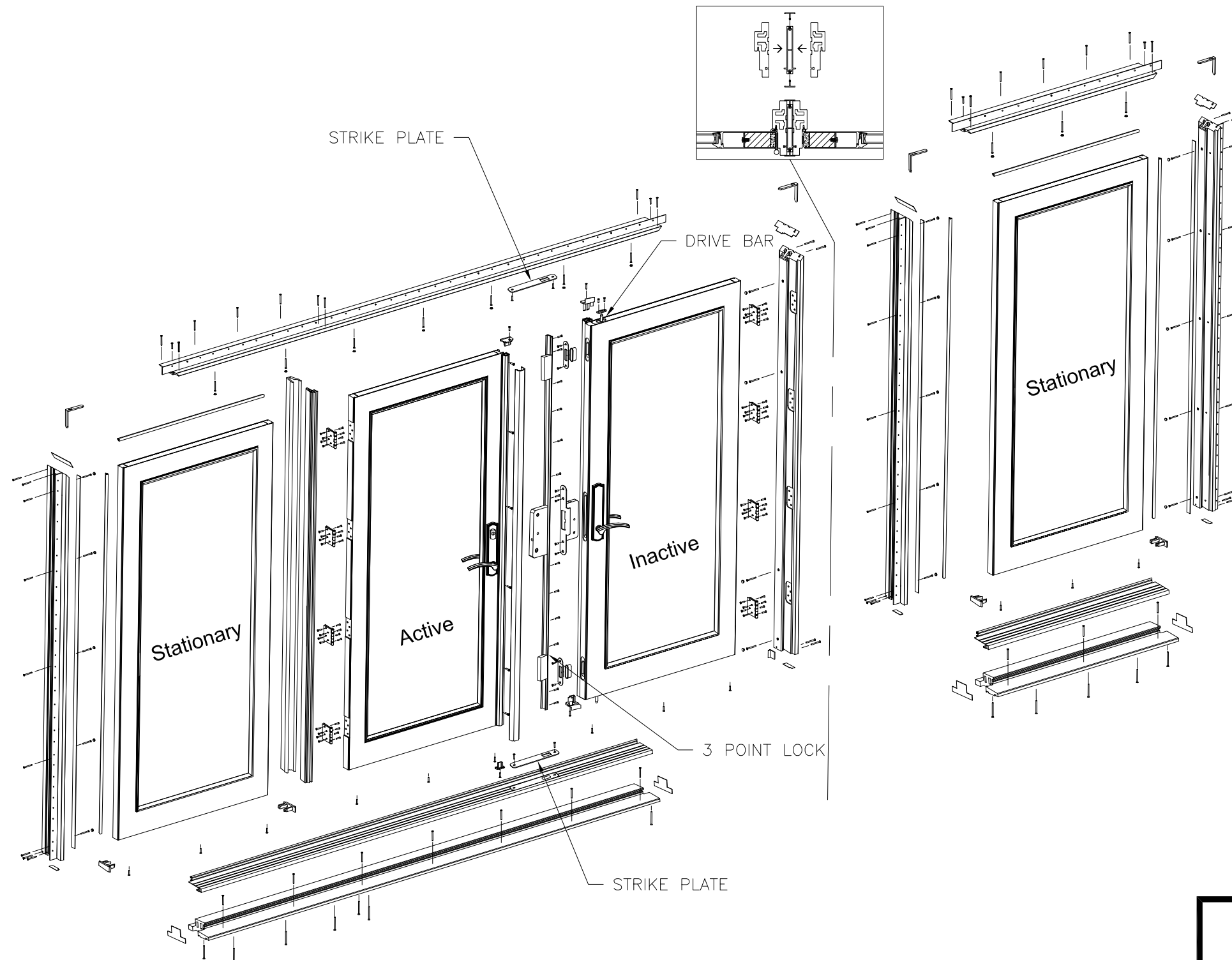
L. ROBERTO LOMAS P.E.
1432 WOODFORD RD LEWISVILLE, NC 27023
434-688-0609 rllomas@lrlomaspe.com

SIGNED: 01/21/2020

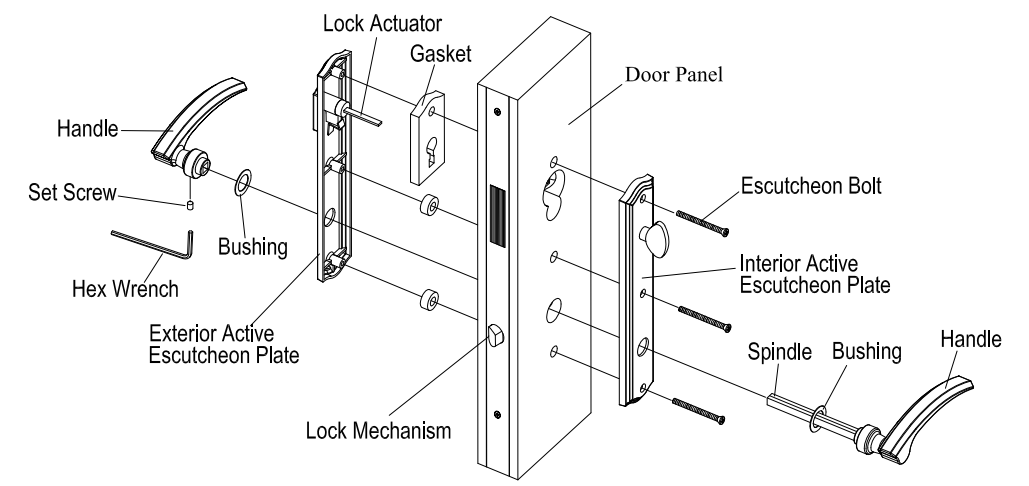


Luis R. Lomas P.E.
TX No.: 101889

REVISIONS			
REV	DESCRIPTION	DATE	APPROVED
D	REVISED PER NEW REQUIREMENTS	12/19/19	R.L.



HARDWARE LAYOUT



LOCK HANDLE SET

SIGNED: 01/21/2020

NAN YA PLASTICS CORP. USA
 8989 NORTH LOOP EAST
 HOUSTON, TX 77029

SERIES SLPS 8'0" HEIGHT OS PATIO DOOR
 FIBERGLASS SIDE HINGED DOOR W/SIDELITES
 HARDWARE DETAILS

DRAWN: LMP	DWG NO. 08-01538	REV D
SCALE NTS	DATE 04/16/12	SHEET 11 OF 11

L. ROBERTO LOMAS P.E.
 1432 WOODFORD RD LEWISVILLE, NC 27023
 434-688-0609 rllomas@lrlomaspe.com



Luis R. Lomas P.E.
 TX No.: 101889