



Glazed Fiberglass Door

"NON-IMPACT"
INSWING / OUTSWING

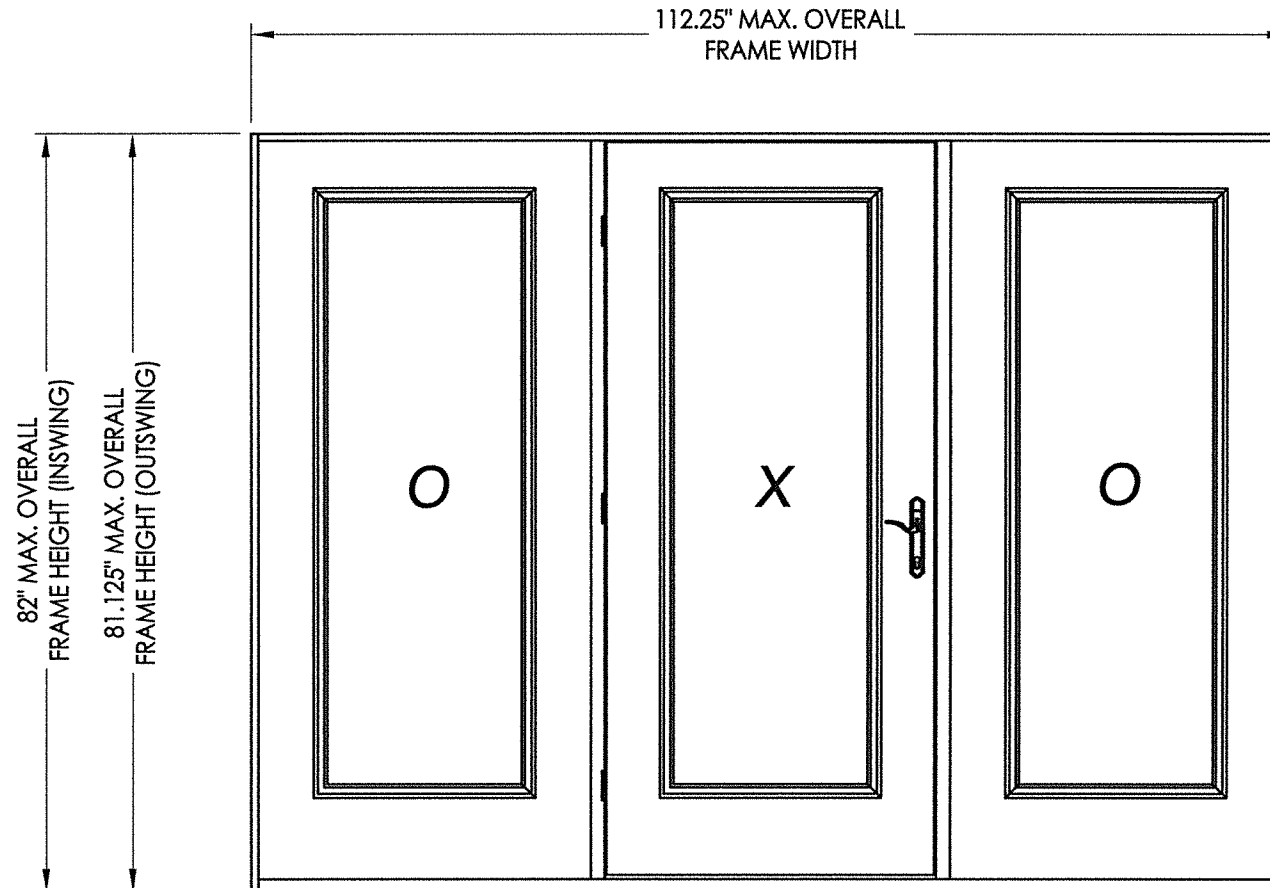
TDI DR-709

EVALUATED FOR USE IN THE STATE OF TEXAS

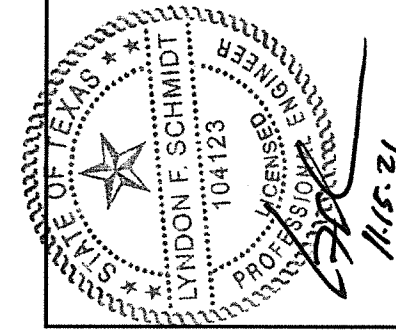
The Fiberglass Door system described herein complies with the 2018 International Residential Code (IRC), Sections R301 & R609 and the 2018 International Building Code (IBC), Sections 1404.13, 1609, 1709.5, 2403 and 2404 subject to the following conditions:

1. Anchors shall be as listed and spaced as shown in the details. Anchor embedment to base material shall be beyond wall dressing or stucco.
2. When used in areas requiring wind-borne debris protection this product is required to be protected with an impact resistant covering that complies with Section R301.2.1.2 of the IRC and Section 1609.1.2 of the IBC.
3. Allowable design pressure requirements must be equal to or less than the design pressure rating shown in the design pressure chart, sheet 1 of this drawing.
4. Conditions not covered by this drawing are subject to further engineering analysis.

| TABLE OF CONTENTS | |
|-------------------|--|
| SHEET # | DESCRIPTION |
| 1 | Typical elevations, design pressures & general notes |
| 2 | Door panel details (lip lite insert glazing) |
| 3 | Slidelite panel details (lip lite insert glazing) |
| 4 | Door panel details (flush glazing) |
| 5 | Slidelite panel details (flush glazing) |
| 6 | Horizontal cross sections |
| 7 | Vertical cross sections |
| 8 | Vertical cross sections |
| 9 | Frame anchoring |



| CONFIG. | GLAZING | MODEL | DESIGN PRESSURE (PSF) ULTIMATE TRILENNIUM ASTRAGAL | |
|---------|-----------------|----------|--|----------|
| | | | POSITIVE | NEGATIVE |
| OXO | LIP LITE INSERT | INSWING | +30.0 | -30.0 |
| OXO | LIP LITE INSERT | OUTSWING | +30.0 | -30.0 |
| OXO | FLUSH GLAZED | INSWING | +55.0 | -55.0 |
| OXO | FLUSH GLAZED | OUTSWING | +70.0 | -70.0 |



Documents Prepared By: Lyndon F. Schmidt, P.E.
TEXAS P.E. #104123

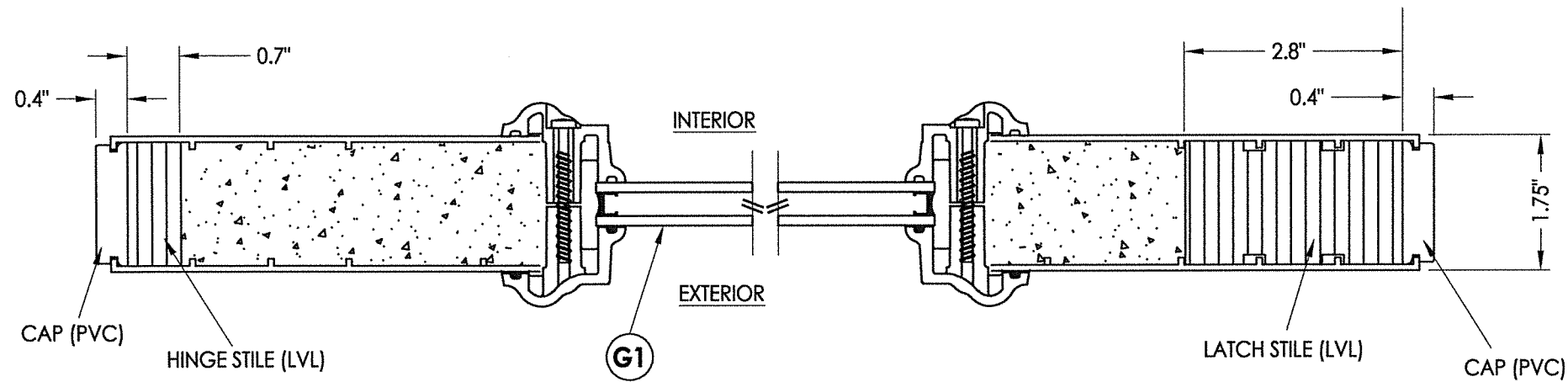
RW BUILDING CONSULTANTS, INC.
P.O. Box 230 Vairico FL 33595
Phone No.: 813.659.9197
TEXAS BOARD OF PROFESSIONAL ENGINEERS
CERTIFICATE OF REGISTRATION # F-11852

PRODUCT: ENDURA
PART OR ASSEMBLY:
TYPICAL ELEVATION, DESIGN
PRESSURES & GENERAL NOTES

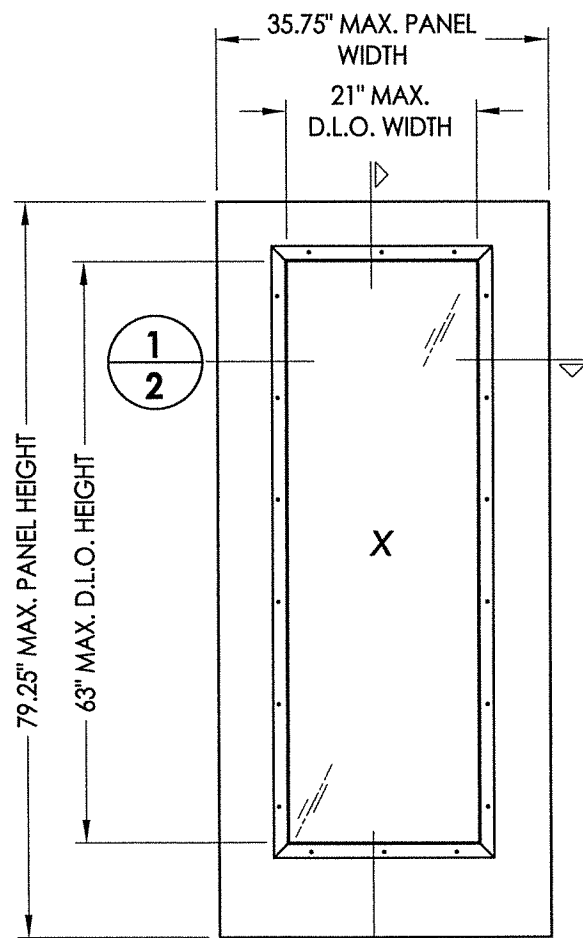
| NO. | DATE | BY | REVISIONS |
|-----|----------|-----|-----------------------------|
| 2 | 11/11/21 | LFS | UPDATE TO 2018 IBC/IRC CODE |
| 1 | 10/08/18 | LFS | ADDED FLUSH GLAZING |

DATE: 11/09/16
SCALE: N.T.S.
DWG. BY: JK
CHK. BY: LFS
DRAWING NO.: TX-4664
SHEET 1 OF 9

Z:\Clients\Endura PERMANENT\B - Texas Dept of Ins\TDI - DR-709 Plastpro FG Glazed\C - Drawings\TX-4664.66.dwg

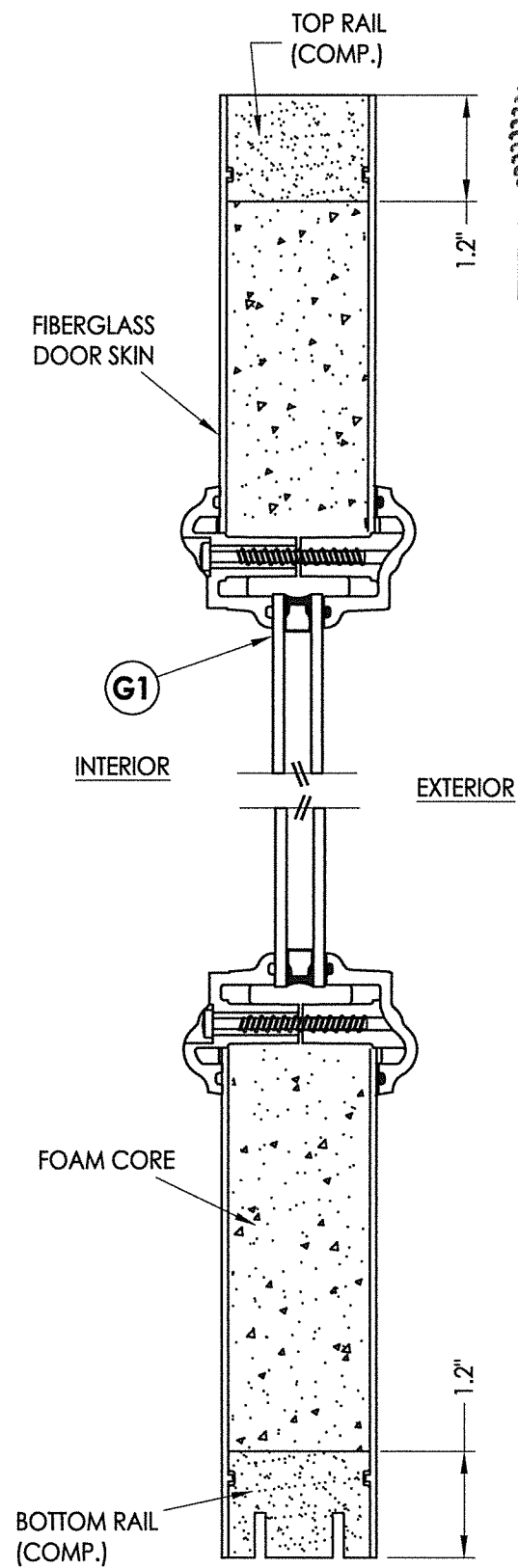


1
2 **HORIZONTAL CROSS SECTION**

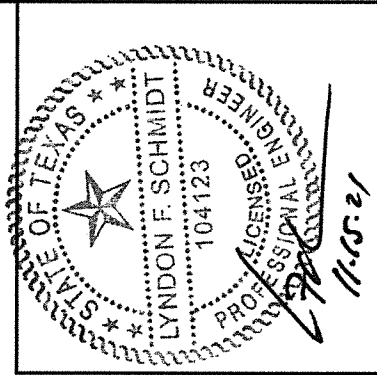


DOOR PANEL
Plastpro
Fiberglass

DOOR PANEL SKIN: FIBERGLASS (0.075" MIN. THICKNESS)
CORE MATERIAL: POLYURETHANE FOAM (1.9 PCF MIN.)



2
2 **VERTICAL CROSS SECTION**



Documents Prepared By: Lyndon F. Schmidt, P.E.
TEXAS P.E. #104123

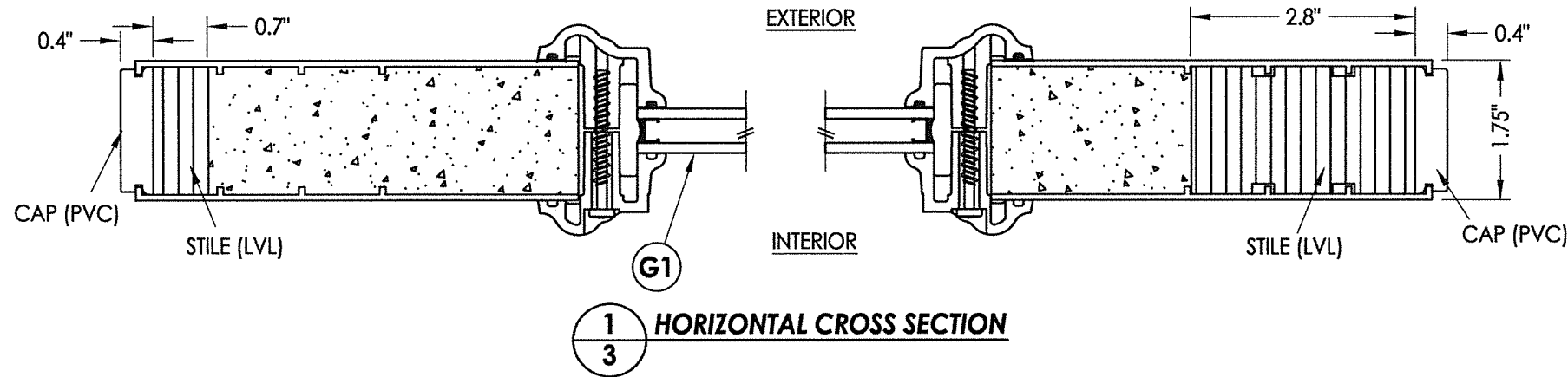
RW BUILDING CONSULTANTS, INC.
P.O. Box 230 Valrico FL 33595
Phone No.: 813.659.9197
TEXAS BOARD OF PROFESSIONAL ENGINEERS
CERTIFICATE OF REGISTRATION # F-11852

PRODUCT: ENDURA
PART OR ASSEMBLY: DOOR PANEL DETAILS (LIP LITE INSERT GLAZING)

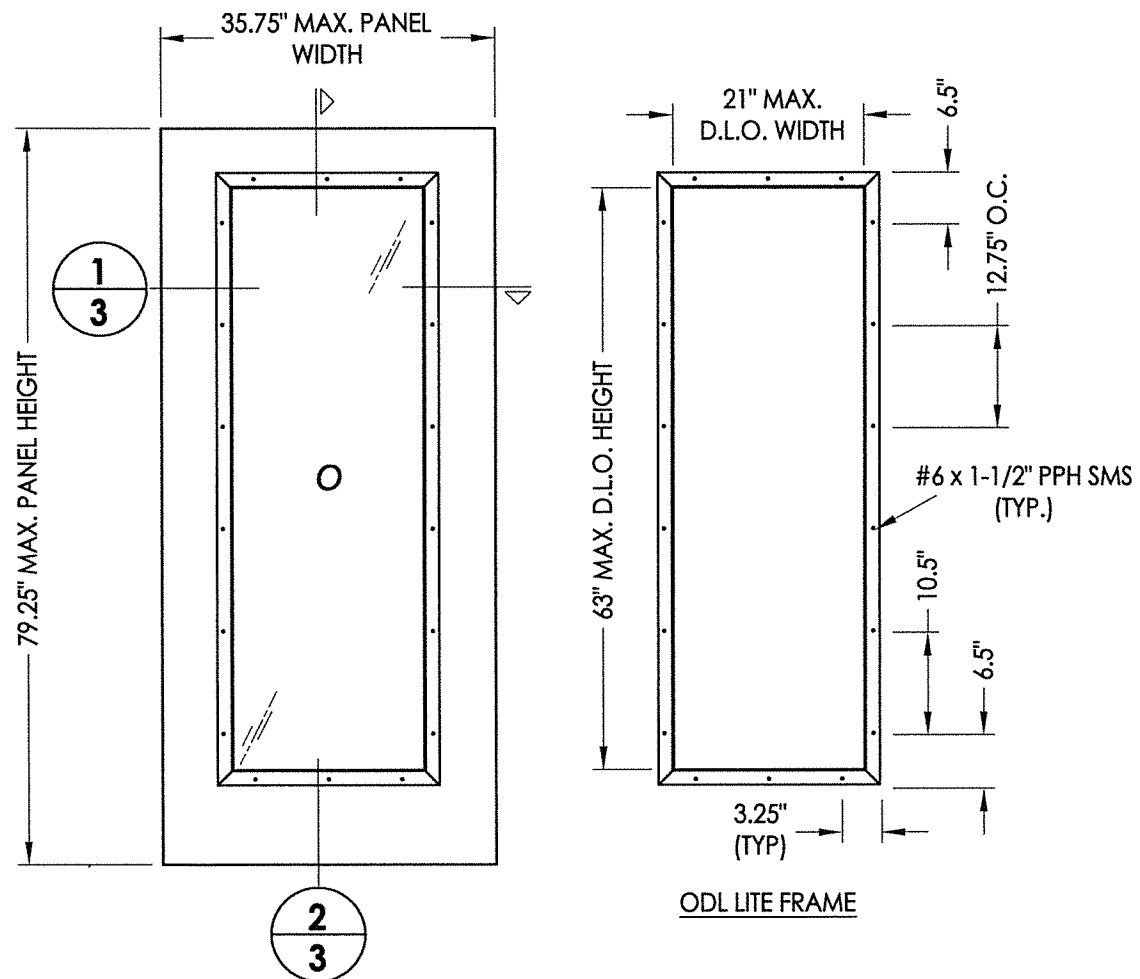
| NO. | DATE | REVISIONS |
|-----|----------|-----------------------------|
| 2 | 11/11/21 | UPDATE TO 2018 IBC/IRC CODE |
| 1 | 10/08/18 | ADDED FLUSH GLAZING |

DATE: 11/09/16
SCALE: N.T.S.
DWG. BY: JK
CHK. BY: LFS
DRAWING NO.: TX-4664
SHEET 2 OF 9

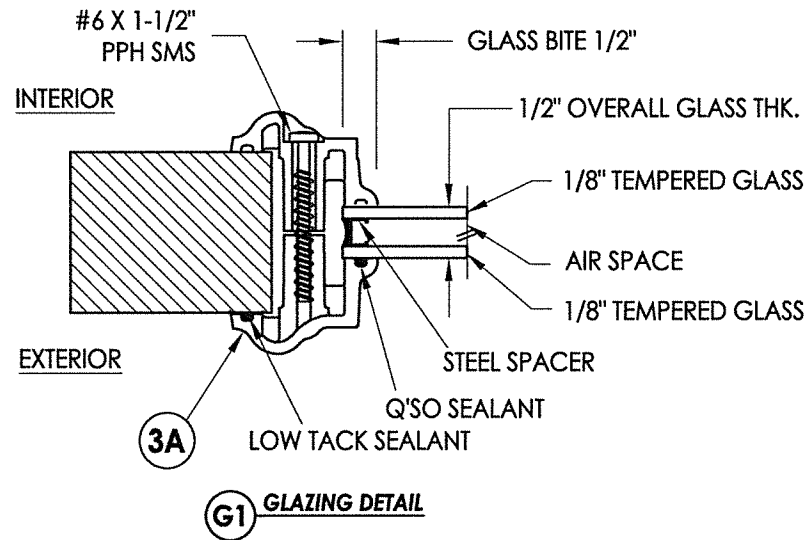
Z:\Clients\Endura PERMANENT\B - Texas Dept of Ins\TDI - DR-709 Plastpro FG Glazed\C - Drawings\TX-4664.66.dwg



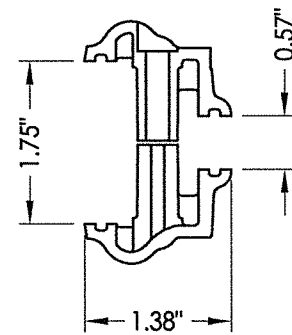
1
3 HORIZONTAL CROSS SECTION



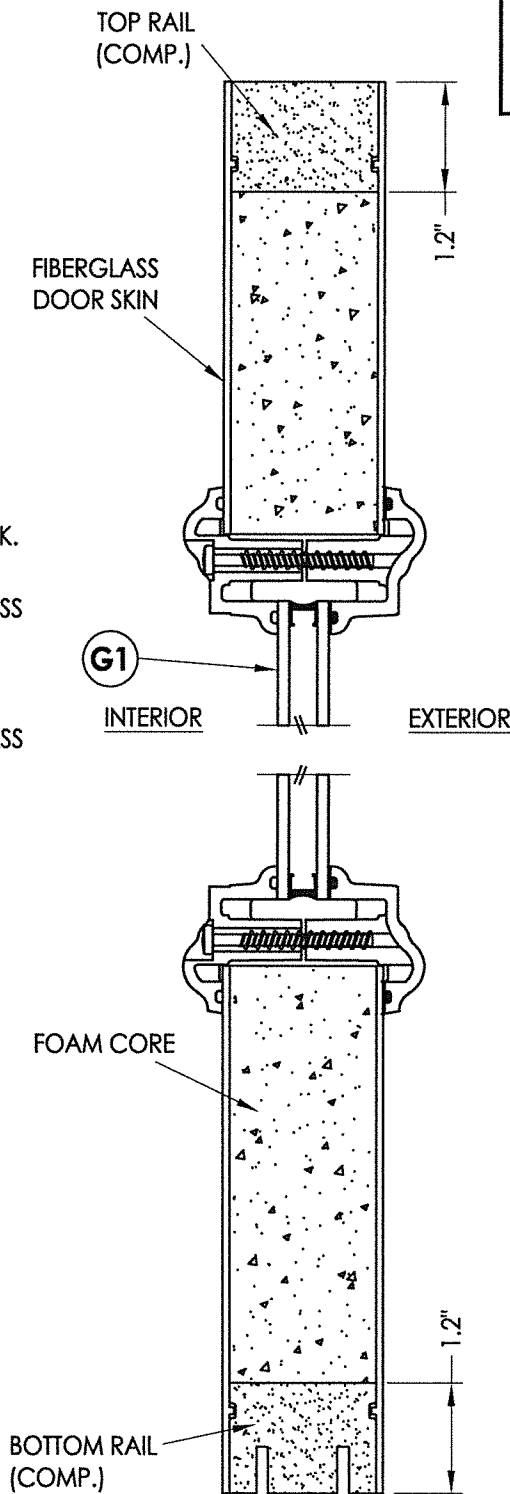
SIDELITE PANEL
Plastpro
Fiberglass



G1 GLAZING DETAIL

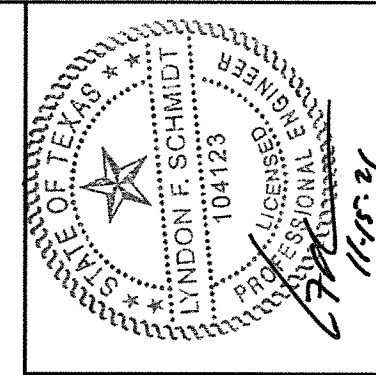


3A OD LITE FRAME
HP Polypropylene



2
3 VERTICAL CROSS SECTION

SIDELITE PANEL SKIN: FIBERGLASS (0.075" MIN. THICKNESS)
CORE MATERIAL: POLYURETHANE FOAM (1.9 PCF MIN.)

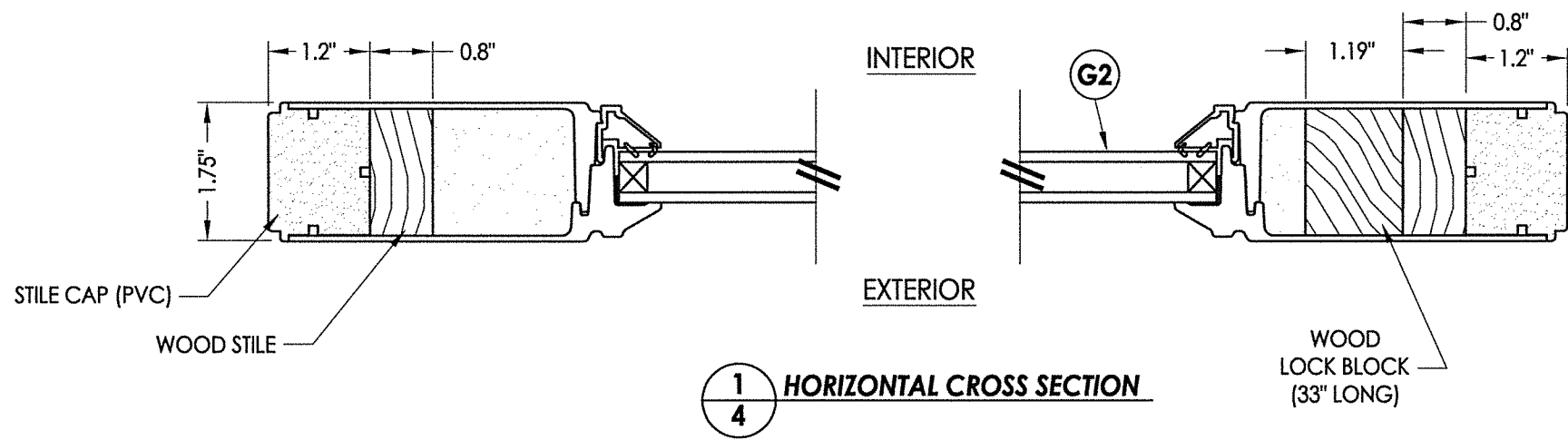


Documents Prepared By: Lyndon F. Schmidt, P.E.
TEXAS P.E. #104123

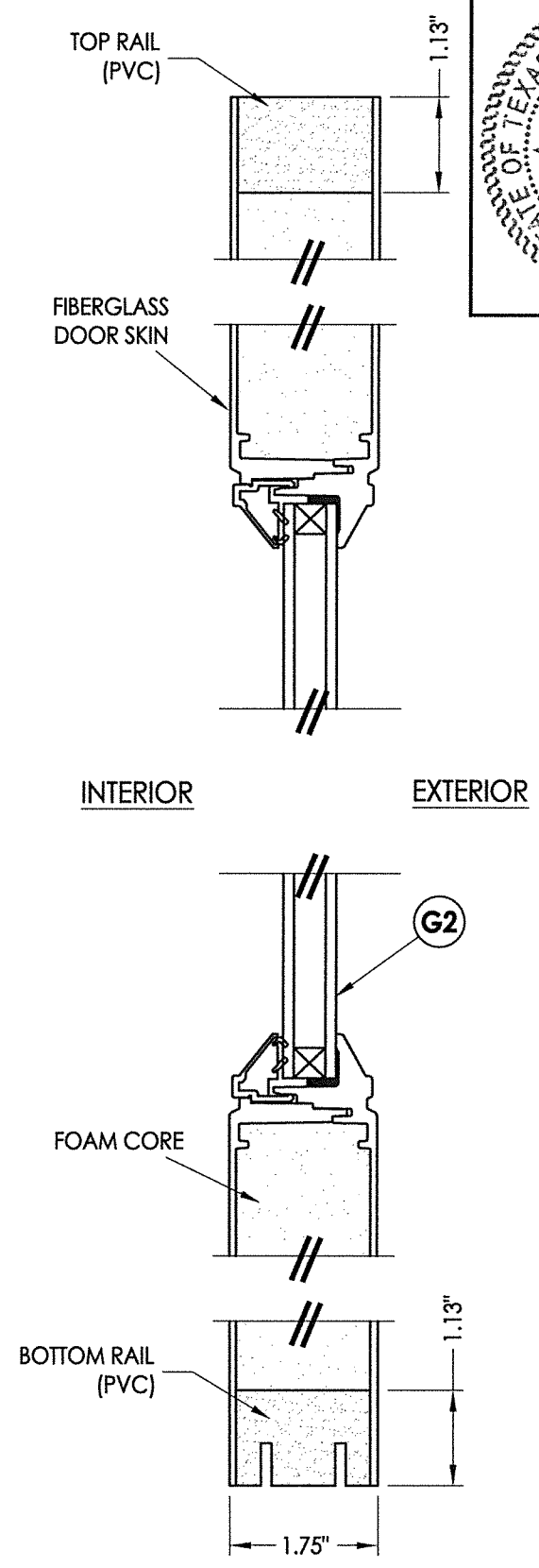
RW BUILDING CONSULTANTS, INC.
P.O. Box 230 Valrico FL 33595
Phone No.: 813.659.9197
TEXAS BOARD OF PROFESSIONAL ENGINEERS
CERTIFICATE OF REGISTRATION # F-11852

| | | |
|-------------------|---|-----------------------------|
| PRODUCT: | ENDURA | |
| PART OR ASSEMBLY: | SIDELITE PANEL DETAILS (LIP LITE INSERT GLAZING) | |
| NO. | DATE | BY |
| 2 | 11/11/21 | UPDATE TO 2018 IBC/IRC CODE |
| 1 | 10/08/18 | ADDED FLUSH GLAZING |
| REVISIONS | | |
| DATE: | 11/09/16 | |
| SCALE: | N.T.S. | |
| DWG. BY: | JK | |
| CHK. BY: | LFS | |
| DRAWING NO.: | TX-4664 | |
| SHEET | 3 | OF 9 |

Z:\Clients\Endura PERMANENT\B - Texas Dept of Ins\TDI - DR-709 Plastpro FG Glazed\C - Drawings\TX-4664.66.dwg



1
4 HORIZONTAL CROSS SECTION



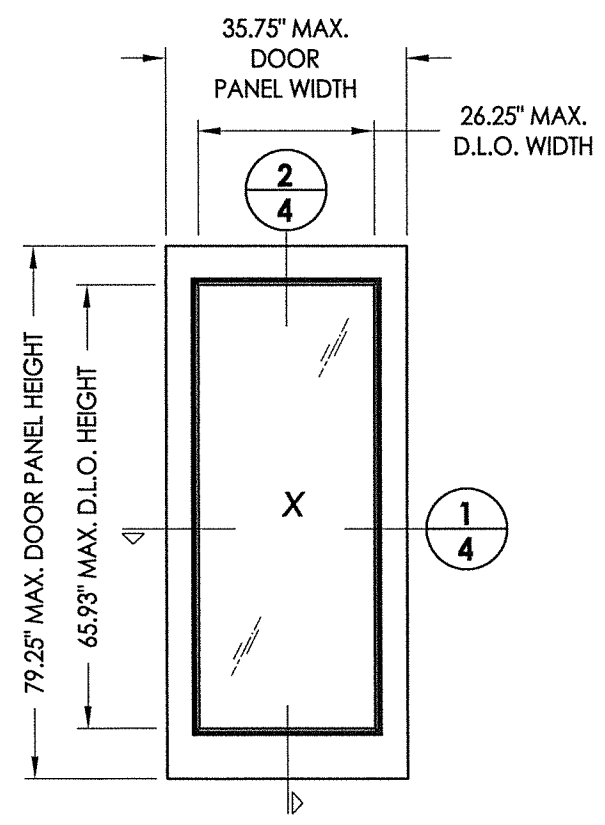
2
4 VERTICAL CROSS SECTION



Documents Prepared By: Lyndon F. Schmidt, P.E.
TEXAS P.E. #104123

RW BUILDING CONSULTANTS, INC.
P.O. Box 230 Valrico FL 33595
Phone No.: 813.659.9197

TEXAS BOARD OF PROFESSIONAL ENGINEERS
CERTIFICATE OF REGISTRATION # F-11852

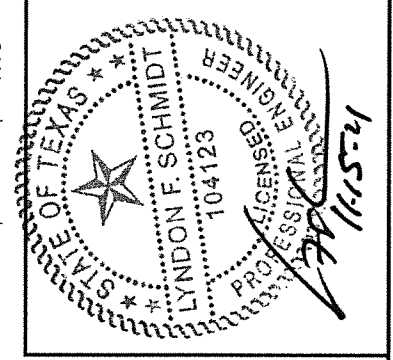
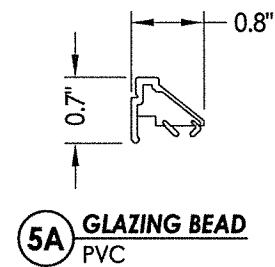
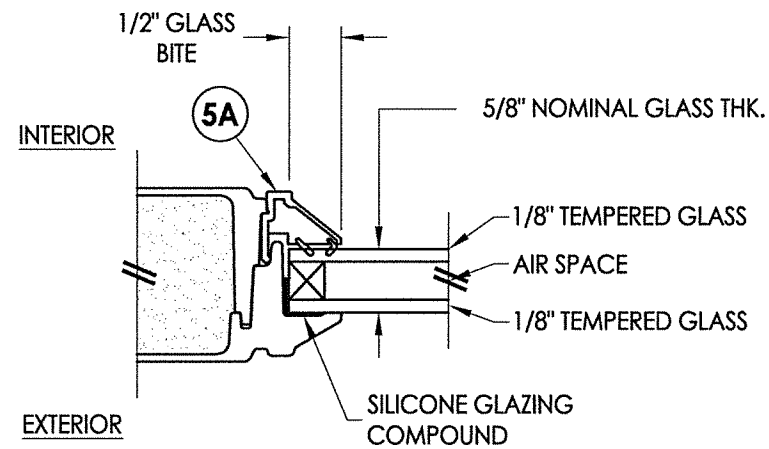
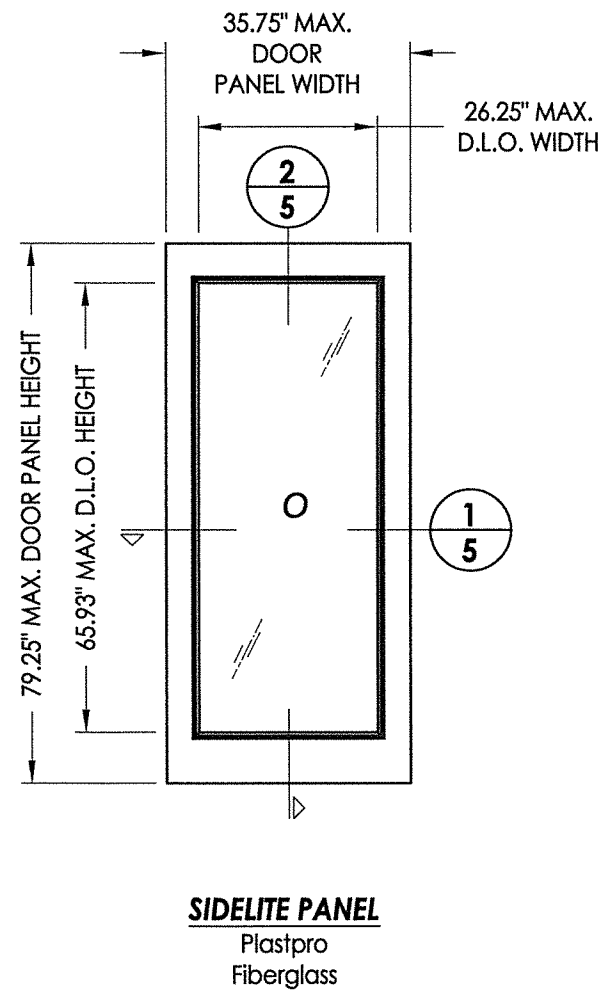
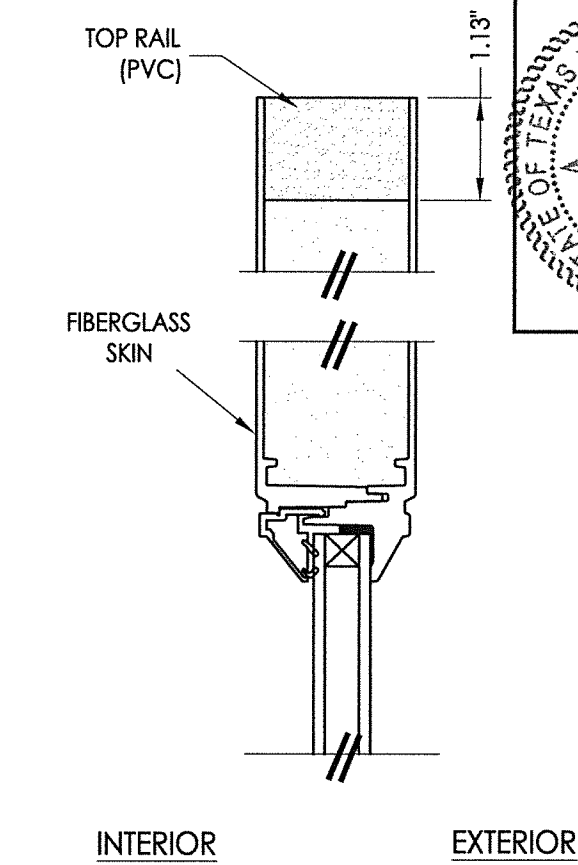
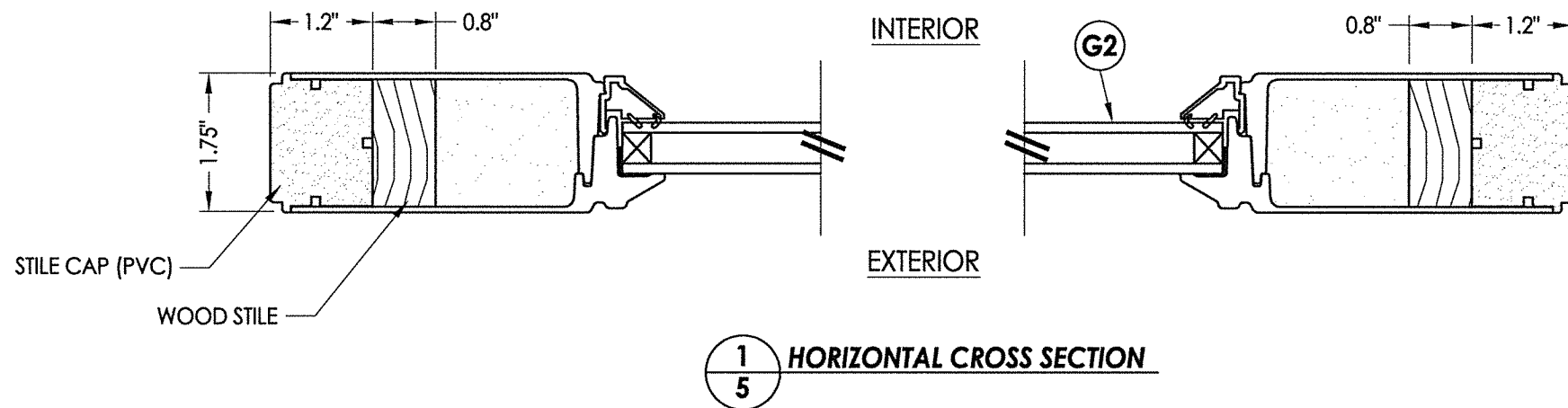


DOOR PANEL
Plastpro
Fiberglass

DOOR PANEL SKIN: FIBERGLASS (0.075" MIN. THICKNESS)
CORE MATERIAL: POLYURETHANE FOAM (1.9 PCF MIN.)

| | | |
|-------------------|------------------------------------|-----------------------------|
| PRODUCT: | ENDURA | |
| PART OR ASSEMBLY: | DOOR PANEL DETAILS (FLUSH GLAZING) | |
| NO. | DATE | REVISIONS |
| 2 | 11/11/21 | UPDATE TO 2018 IBC/IRC CODE |
| 1 | 10/08/18 | ADDED FLUSH GLAZING |
| LFS | | BY |
| LFS | | |
| DATE: | 11/09/16 | |
| SCALE: | N.T.S. | |
| DWG. BY: | JK | |
| CHK. BY: | LFS | |
| DRAWING NO.: | TX-4664 | |
| SHEET | 4 | OF 9 |

Z:\Clients\Endura PERMANENT\B - Texas Dept of Ins\TDI - DR-709 Plastpro FG Glazed\C - Drawings\TX-4664.66.dwg



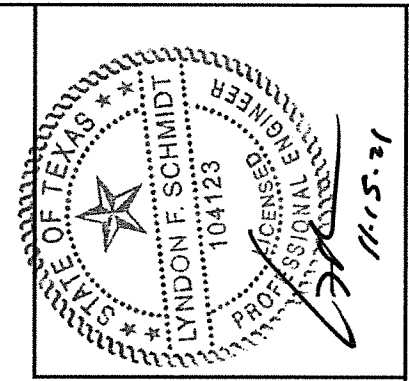
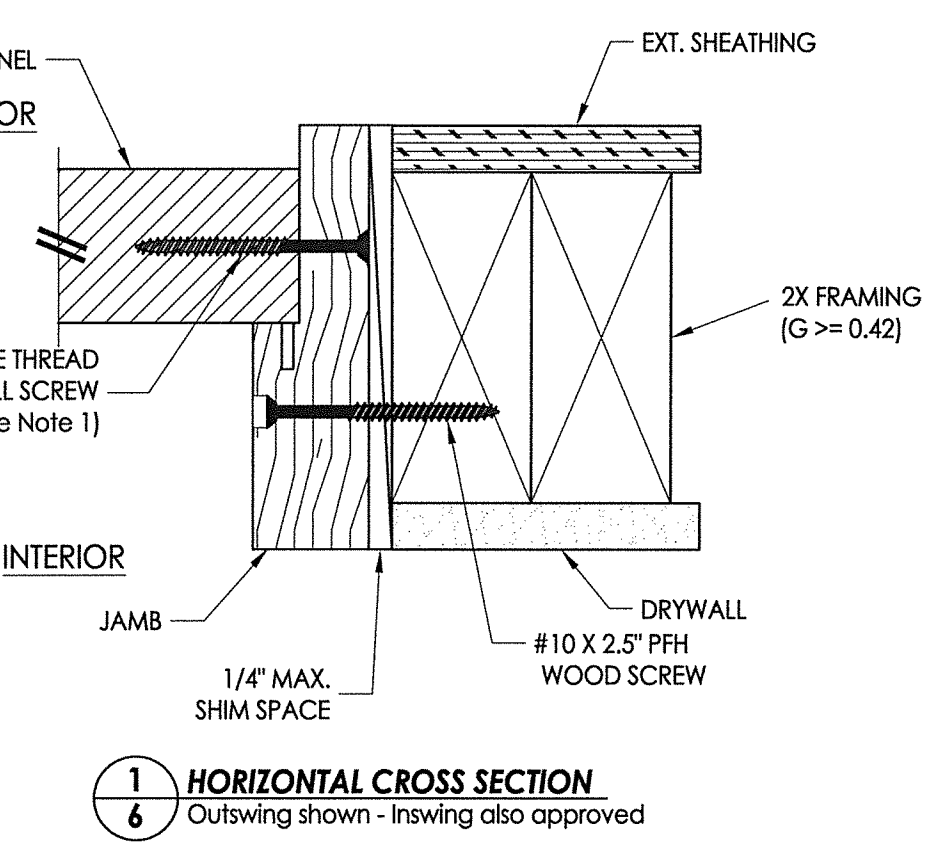
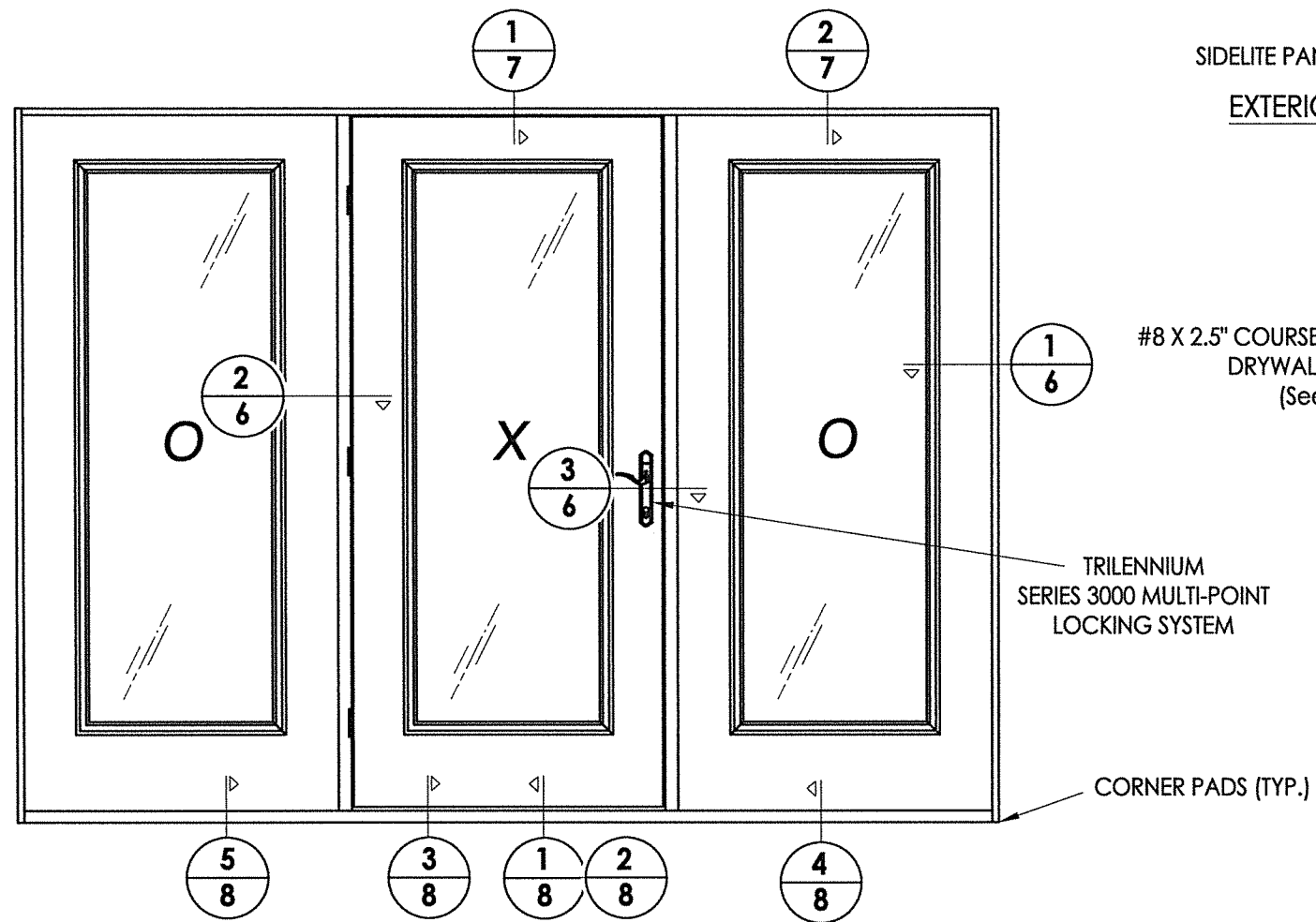
Documents Prepared By: Lyndon F. Schmidt, P.E.
TEXAS P.E. #104123

RW BUILDING CONSULTANTS, INC.
P.O. Box 230 Valrico FL 33595
Phone No.: 813.859.9197

TEXAS BOARD OF PROFESSIONAL ENGINEERS
CERTIFICATE OF REGISTRATION # F-11852

| | | |
|-------------------|--|-----|
| PRODUCT: | ENDURA | |
| PART OR ASSEMBLY: | SIDELITE PANEL DETAILS (FLUSH GLAZING) | |
| NO. | DATE | BY |
| 2 | 11/11/21 | LFS |
| 1 | 10/08/18 | LFS |
| REVISIONS | | |
| DATE: | 11/09/16 | |
| SCALE: | N.T.S. | |
| DWG. BY: | JK | |
| CHK. BY: | LFS | |
| DRAWING NO.: | TX-4664 | |
| SHEET | 5 OF 9 | |

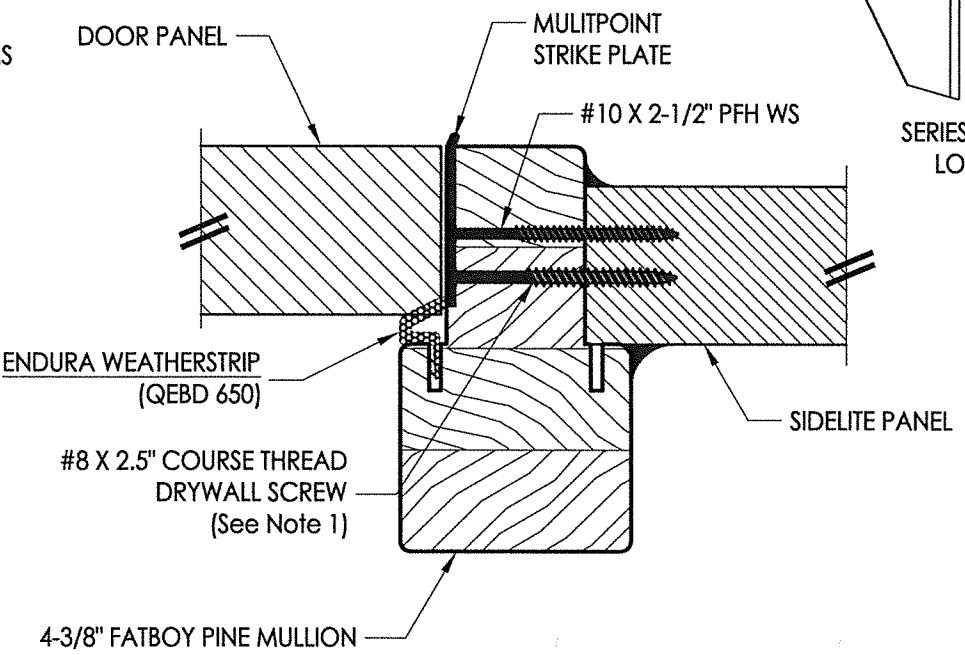
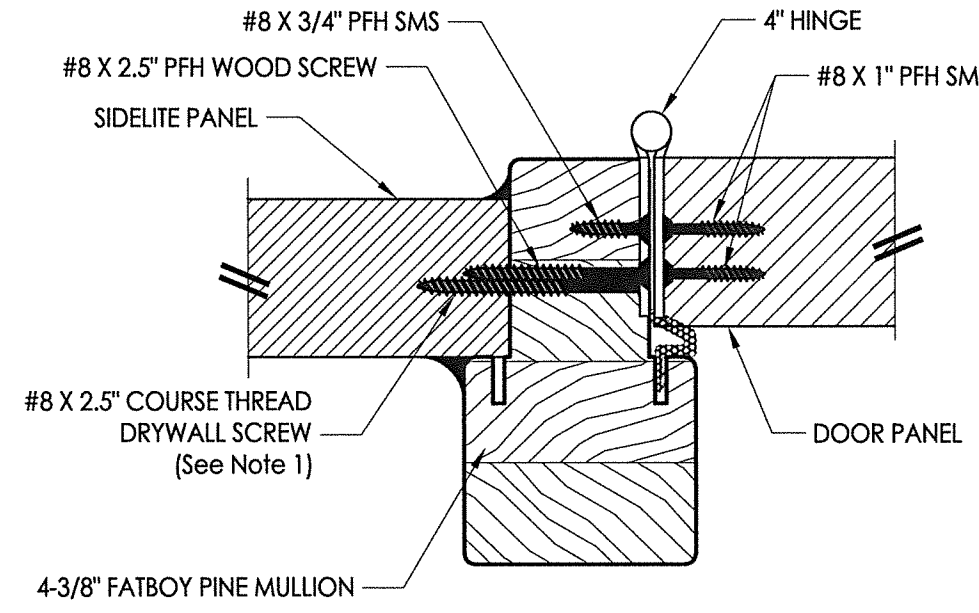
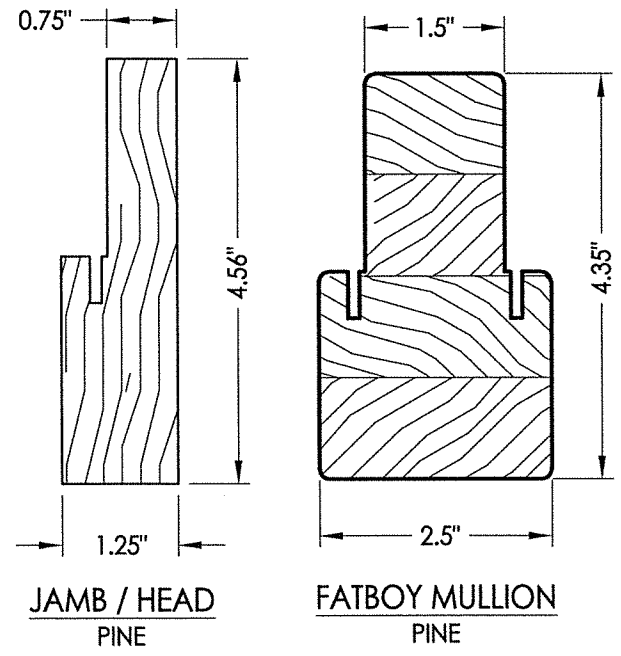
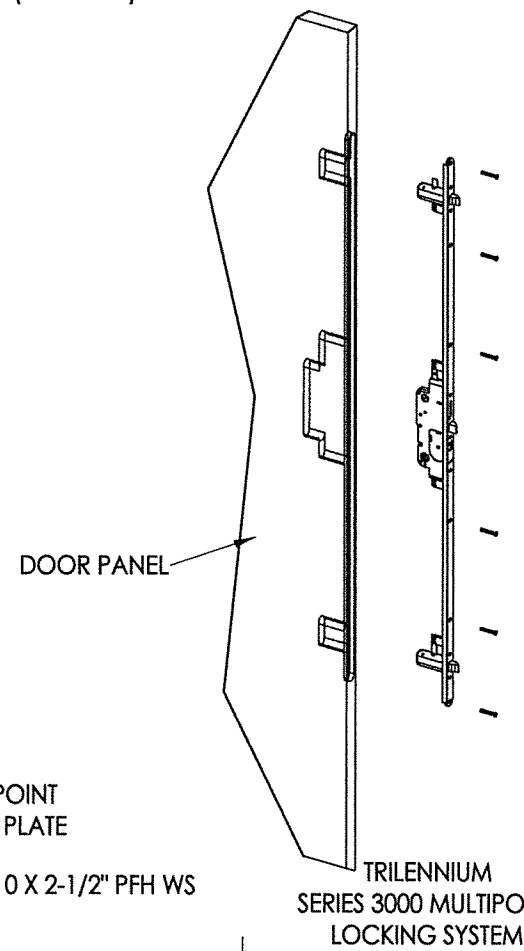
SIDELITE PANEL SKIN: FIBERGLASS (0.075" MIN. THICKNESS)
CORE MATERIAL: POLYURETHANE FOAM (1.9 PCF MIN.)



Documents Prepared By: Lyndon F. Schmidt, P.E.
TEXAS P.E. #104123

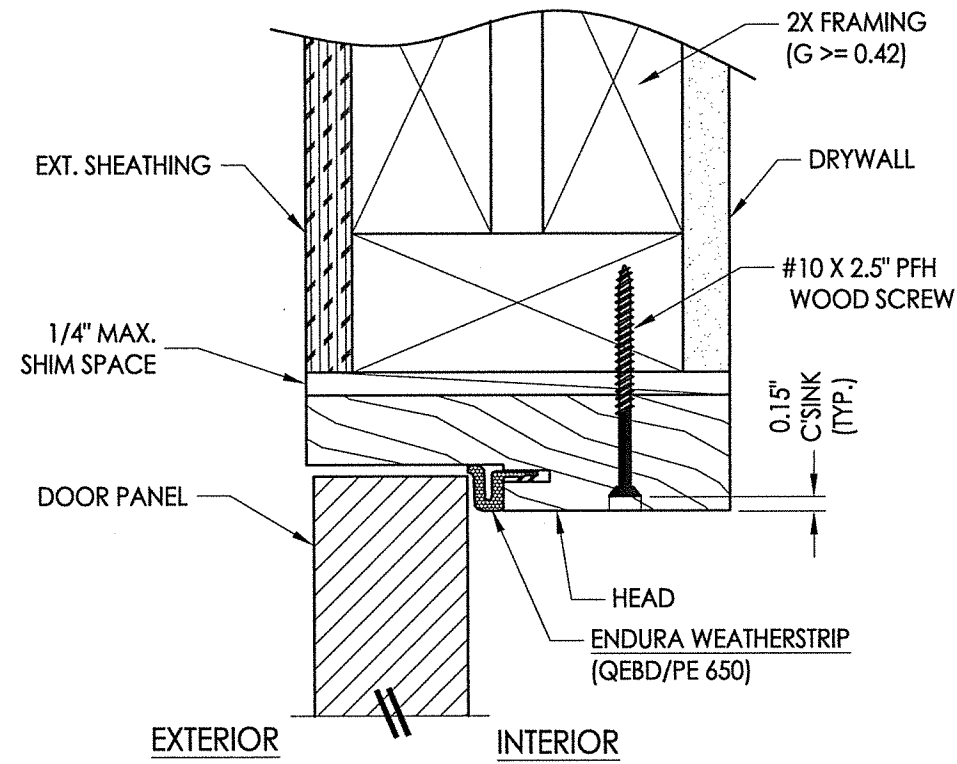
RW BUILDING CONSULTANTS, INC.
P.O. Box 230 Valrico FL, 33595
Phone No.: 813.659.9197

TEXAS BOARD OF PROFESSIONAL ENGINEERS
CERTIFICATE OF REGISTRATION # F-11852

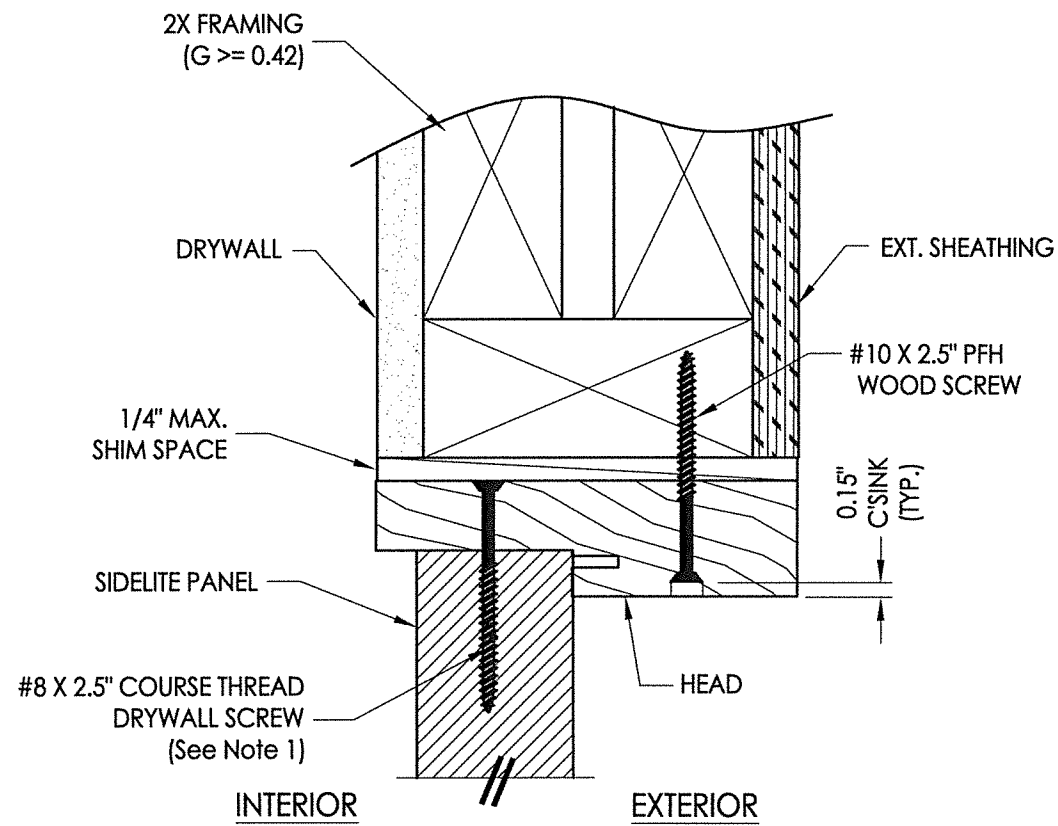


NOTE:
1. Spacing for sidelite screws: 6.5", 38.5" and 69" from head to sill (3 total).

| | | |
|-------------------|-----------------|-----|
| PRODUCT: | ENDURA | |
| PART OR ASSEMBLY: | FIBERGLASS DOOR | |
| NO. | DATE | BY |
| 2 | 11/11/21 | LFS |
| 1 | 10/08/18 | LFS |
| REVISIONS | | |
| DATE: | 11/09/16 | |
| SCALE: | N.T.S. | |
| DWG. BY: | JK | |
| CHK. BY: | LFS | |
| DRAWING NO.: | TX-4664 | |
| SHEET | 6 OF 9 | |

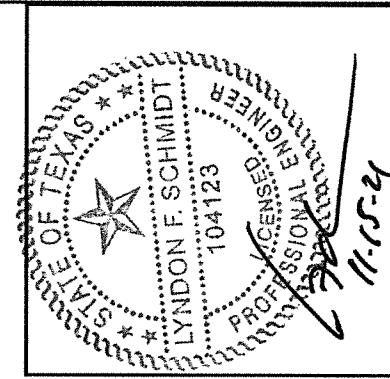


1 **VERTICAL CROSS SECTION**
7 Outswing shown - inswing also approved



2 **VERTICAL CROSS SECTION**
7 Inswing shown - Outswing also approved

NOTE:
 1. Spacing for sidelite screws:
 6" from each end (2 total).

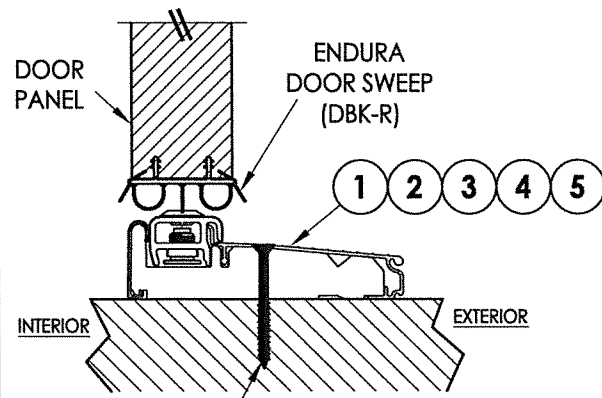


Documents Prepared By: Lyndon F. Schmidt, P.E.
 TEXAS P.E. #104123

RW BUILDING CONSULTANTS, INC.
 P.O. Box 230 Vairico FL 33595
 Phone No.: 813.659.9197
 TEXAS BOARD OF PROFESSIONAL ENGINEERS
 CERTIFICATE OF REGISTRATION # F-11852

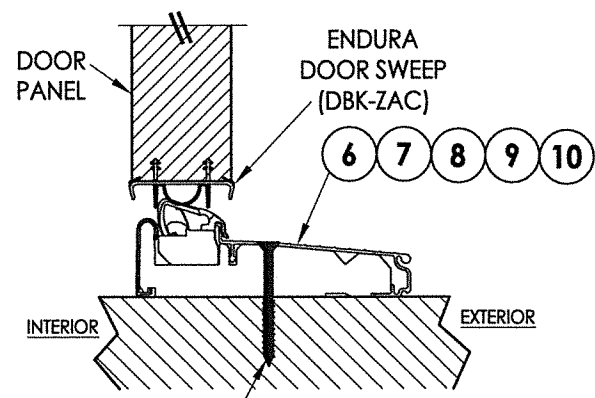
| | | | |
|-------------------|----------|-----------------------------|-----|
| PRODUCT: | | ENDURA | |
| PART OR ASSEMBLY: | | VERTICAL CROSS SECTIONS | |
| NO. | DATE | REVISIONS | BY |
| 2 | 11/11/21 | UPDATE TO 2018 IBC/IRC CODE | LFS |
| 1 | 10/08/18 | ADDED FLUSH GLAZING | LFS |

DATE: 11/09/16
 SCALE: N.T.S.
 DWG. BY: JK
 CHK. BY: LFS
 DRAWING NO.: TX-4664
 SHEET 7 OF 9



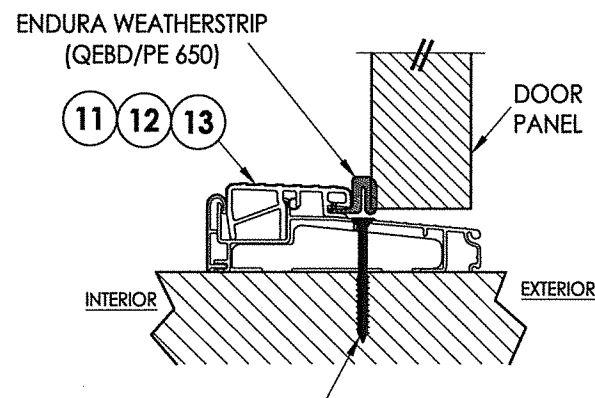
#10 X 2.5" PFH WOOD SCREW OR
1/4" X 2-3/4" DeWALT OR ITW CONCRETE SCREW

1 VERTICAL CROSS SECTION
8 Inswing Adjustable Threshold



#10 X 2.5" PFH WOOD SCREW OR
1/4" X 2-3/4" DeWALT OR ITW CONCRETE SCREW

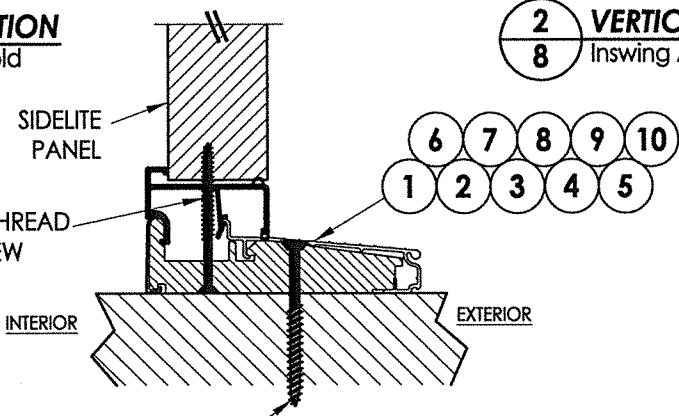
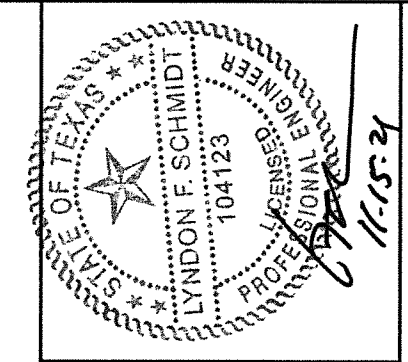
2 VERTICAL CROSS SECTION
8 Inswing Articulating Threshold



#10 X 2.5" PFH WOOD SCREW OR
1/4" X 2-3/4" DeWALT OR ITW CONCRETE SCREW

3 VERTICAL CROSS SECTION
8 Outswing Bump Threshold

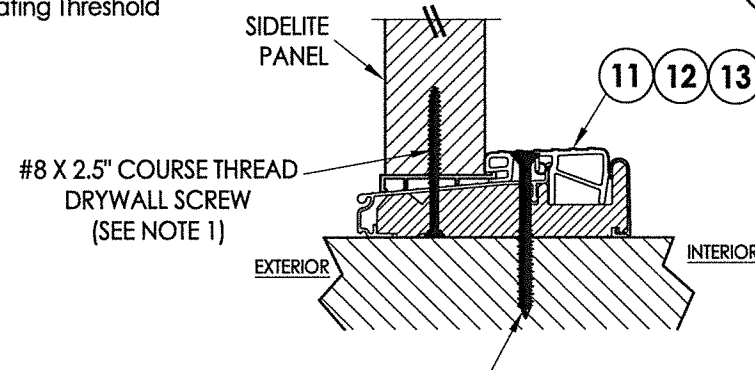
NOTE:
1. Spacing for sidelite screws:
6" from each end (2 total).



#8 X 2.5" COURSE THREAD
DRYWALL SCREW
(SEE NOTE 1)

#10 X 2.5" PFH WOOD SCREW OR
1/4" X 2-3/4" DeWALT OR ITW CONCRETE SCREW

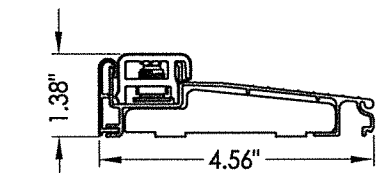
4 VERTICAL CROSS SECTION
8 Inswing configuration



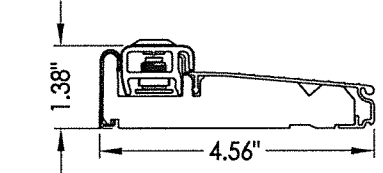
#8 X 2.5" COURSE THREAD
DRYWALL SCREW
(SEE NOTE 1)

#10 X 2.5" PFH WOOD SCREW OR
1/4" X 2-3/4" DeWALT OR ITW CONCRETE SCREW

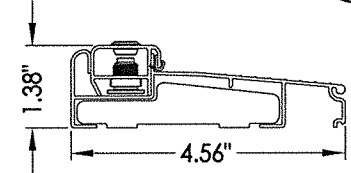
5 VERTICAL CROSS SECTION
8 Outswing configuration



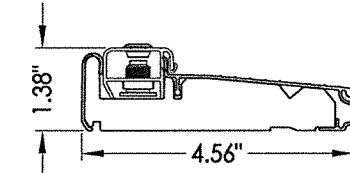
1 INSWING ADJUSTABLE THRESHOLD
ZAIL4565



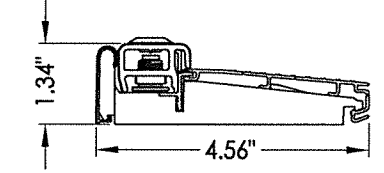
2 INSWING ADJUSTABLE THRESHOLD
ZAI4565FN



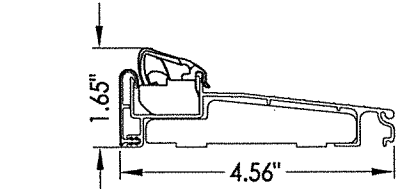
3 INSWING ADJUSTABLE THRESHOLD
ZAILAA4565



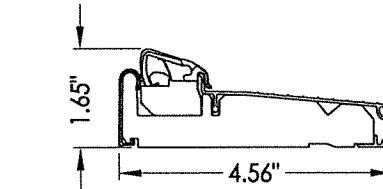
4 INSWING ADJUSTABLE THRESHOLD
ZAI4565FN



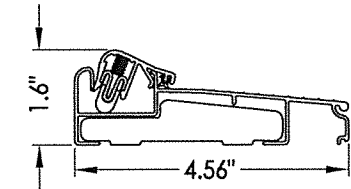
5 INSWING ADJUSTABLE THRESHOLD
ZAI4565RDS



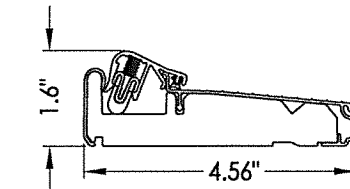
6 INSWING ARTICULATING THRESHOLD
ZACL4565



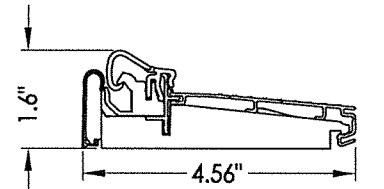
7 INSWING ARTICULATING THRESHOLD
ZAC4565FN



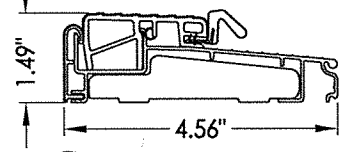
8 INSWING ARTICULATING THRESHOLD
ZACLA4565



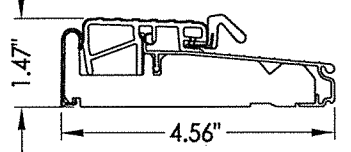
9 INSWING ARTICULATING THRESHOLD
ZACAA4565FN



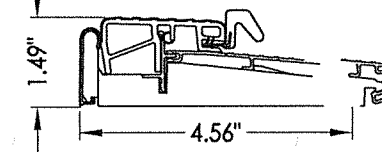
10 INSWING ARTICULATING THRESHOLD
ZAC4565RDS



11 OUTSWING THRESHOLD
ZOBL4565



12 OUTSWING THRESHOLD
ZOB4565FN



13 OUTSWING THRESHOLD
ZOB4565RDS

MAX. DESIGN PRESSURE = ±55 PSF

Documents Prepared By: Lyndon F. Schmidt, P.E.
TEXAS P.E. #104123

RW BUILDING CONSULTANTS, INC.
P.O. Box 230 Valrico FL 33595
Phone No.: 813.659.9197

TEXAS BOARD OF PROFESSIONAL ENGINEERS
CERTIFICATE OF REGISTRATION # F-11852

PRODUCT: ENDURA
FIBERGLASS DOOR

PART OR ASSEMBLY:
VERTICAL CROSS SECTIONS

| NO. | DATE | BY | REVISIONS |
|-----|----------|-----|-----------------------------|
| 2 | 11/11/21 | LFS | UPDATE TO 2018 IBC/IRC CODE |
| 1 | 10/08/18 | LFS | ADDED FLUSH GLAZING |

DATE: 11/09/16
SCALE: N.T.S.
DWG. BY: JK
CHK. BY: LFS
DRAWING NO.: TX-4664
SHEET 8 of 9

