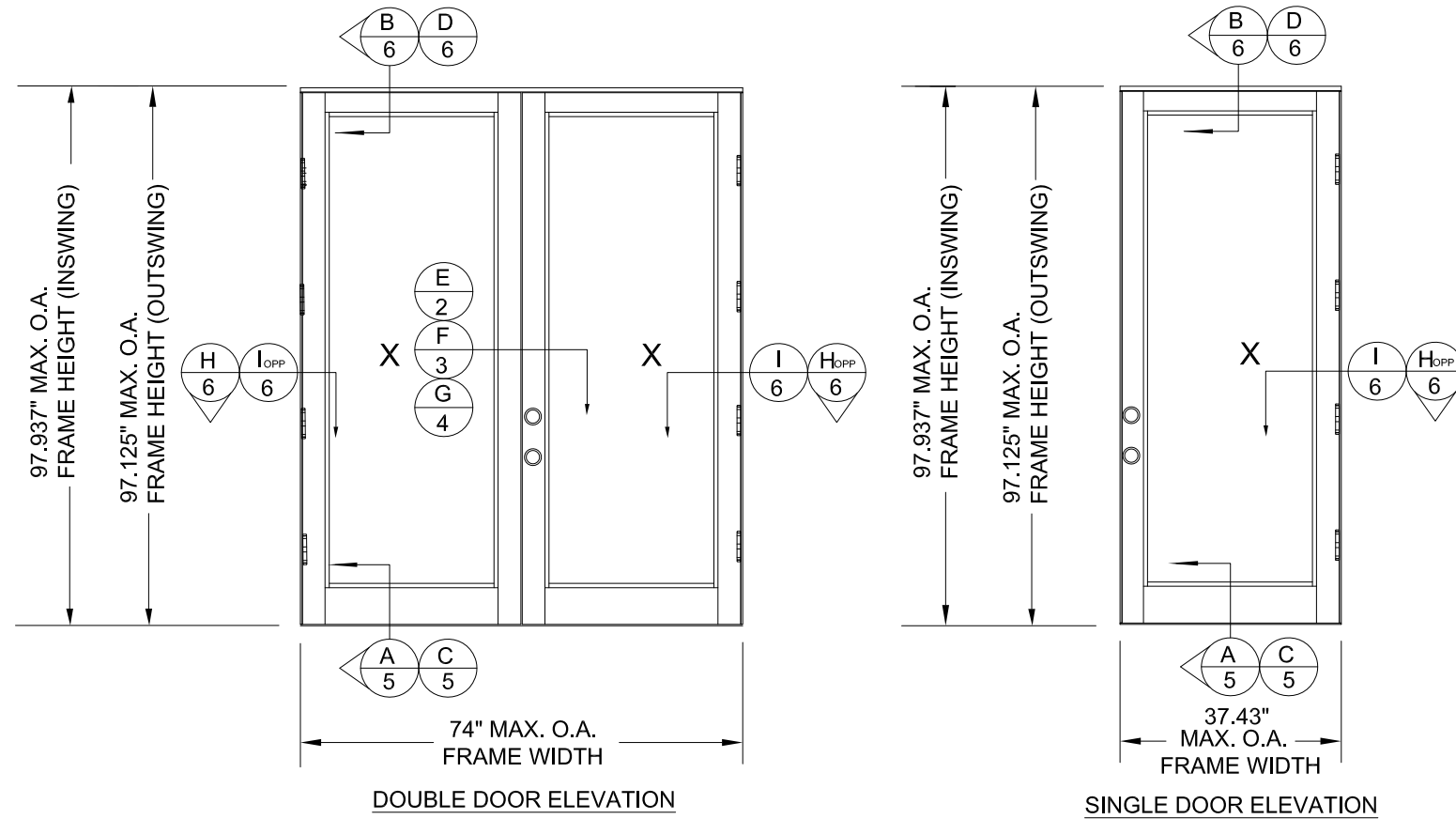




MASONITE GLAZED 8'-0" FIBERGLASS DOOR XX AND X, INSWING / OUTSWING IMPACT

REVISIONS			
REV	DESCRIPTION	DATE	APPROVED
C	REVISED PER NEW CODE	11/10/2021	R.L.



GENERAL NOTES:

1. THIS PRODUCT HAS BEEN EVALUATED AND IS IN COMPLIANCE WITH THE 2018 IBC AND 2018 IRC.
2. PRODUCT ANCHORS SHALL BE AS LISTED AND SPACED AS SHOWN ON DETAILS. ANCHOR EMBEDMENT TO BASE MATERIAL SHALL BE BEYOND WALL DRESSING.
3. INSTALLATION DETAILS DESCRIBED HEREIN ARE GENERIC AND MAY NOT REFLECT ACTUAL CONDITIONS FOR A SPECIFIC SITE. IF INSTALLATION METHODS DEVIATE FROM THESE APPROVED DETAILS FURTHER INVESTIGATION BY A LICENSED REGISTERED DESIGN PROFESSIONAL IS REQUIRED.
4. ADEQUACY OF EXISTING STRUCTURAL CONCRETE / MASONRY AND 2X FRAMING PER INSTALLATION AS A MAIN WIND FORCE RESISTING SYSTEM CAPABLE OF WITHSTANDING AND TRANSFERRING APPLIED PRODUCT LOADS TO FOUNDATION IS THE RESPONSIBILITY OF ENGINEER OR ARCHITECT OF RECORD.
5. THIS PRODUCT IS IMPACT RATED AND DOES NOT REQUIRE IMPACT PROTECTION IN WIND BORNE DEBRIS REGIONS.
6. 1X BUCK OVER MASONRY/CONCRETE IS OPTIONAL. WHERE 1X BUCK IS NOT USED DISSIMILAR MATERIALS MUST BE SEPARATED WITH APPROVED COATING OR MEMBRANE. SELECTION OF COATING OR MEMBRANE IS THE RESPONSIBILITY OF THE ARCHITECT OR ENGINEER OF RECORD
7. APPROVED CONFIGURATIONS: X, XX

Configuration	Frame size (in)	Design pressure rating (psf)	Impact rating
In-swing XX	74" x 97.937"	+45.0 -45.0	Large and Small
Out-swing XX	74" x 97.125"	+45.0 -45.0	
In-swing X	37.43" x 97.937"	+45.0 -45.0	Missile
Out-swing X	37.43" x 97.125"	+45.0 -45.0	

Masonite fiberglass insert glazed panels SMC 0.075" skin
Refer to sheets 2, 3 & 4 for all hardware options
Refer to sheet 5 for impact glazing insert options

TABLE OF CONTENTS	
SHEET	SHEET DESCRIPTION
1	ELEVATION AND GENERAL NOTES
2 - 4	ASTRAGAL & LOCK DETAILS
5	SILL AND GLAZING DETAILS
6	VERTICAL & HORIZONTAL CROSS SECTIONS
7 - 8	ANCHOR ELEVATIONS AND NOTES
9	COMPONENTS AND BILL OF MATERIALS

ENDURA PRODUCTS, INC.
8817 WEST MARKET STREET
COLFAX, NC 27235

MASONITE GLAZED FIBERGLASS DOOR
ELEVATION AND GENERAL NOTES

DRAWN: RM DWG NO. NL-0016 REV C

SCALE NTS DATE 09/05/13 SHEET 1 OF 9

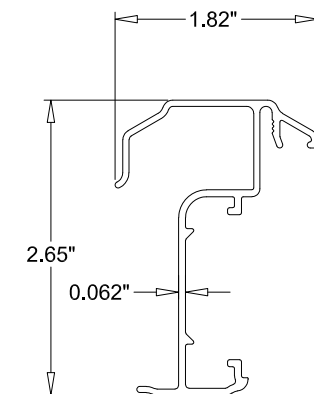
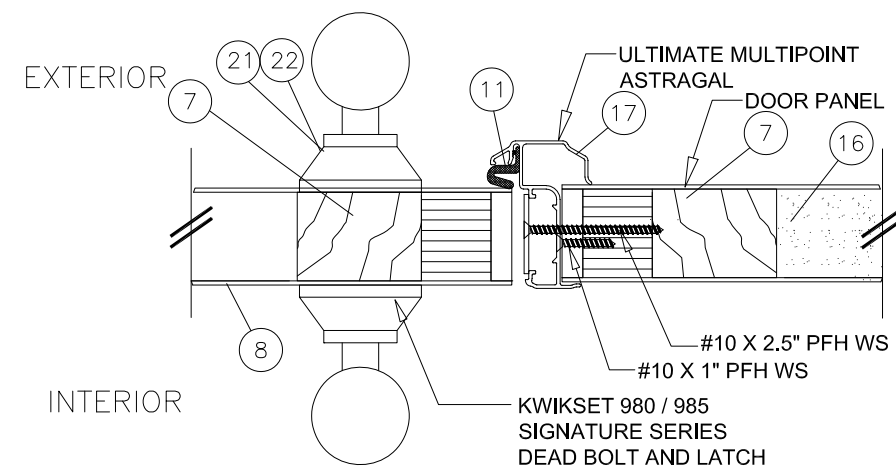
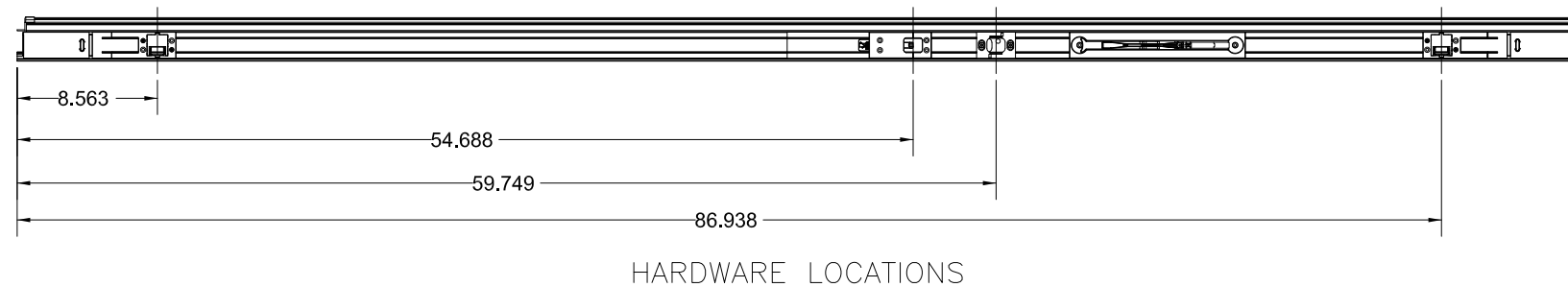
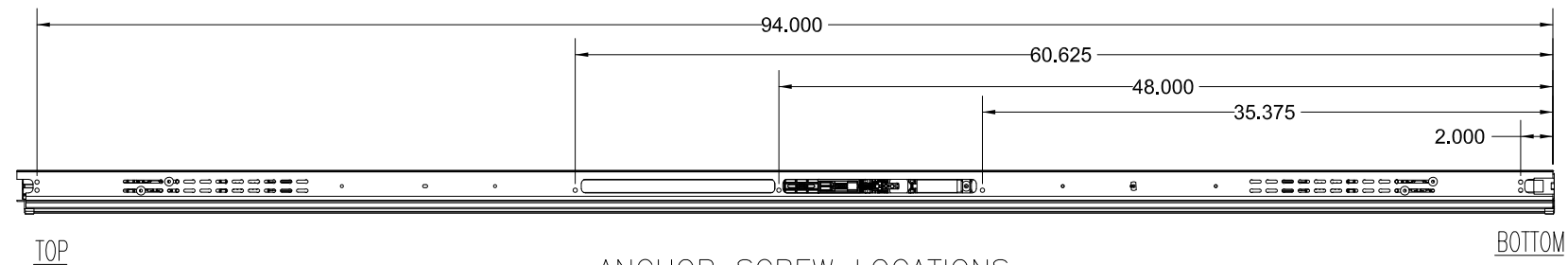
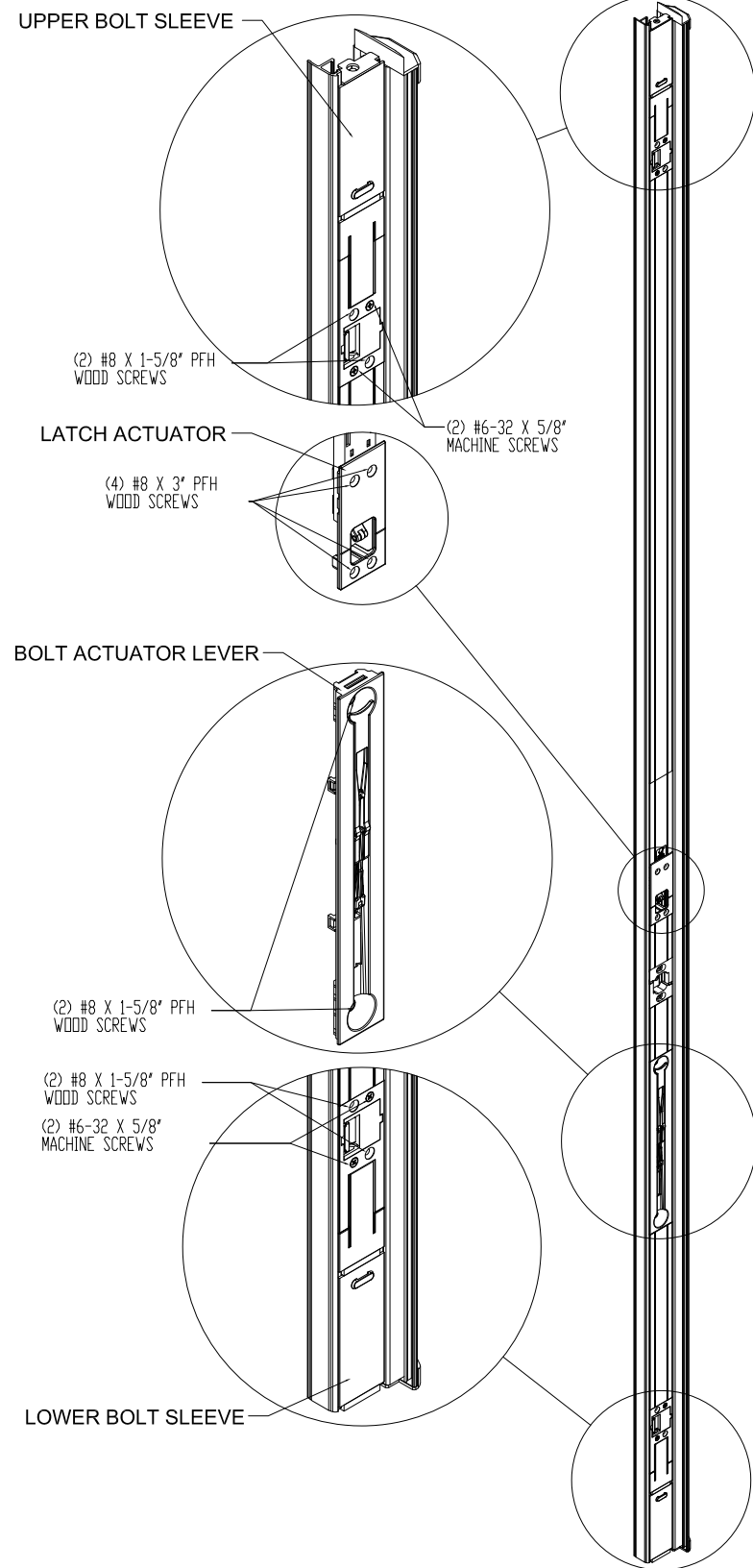
L. ROBERTO LOMAS P.E.
1432 WOODFORD RD LEWISVILLE, NC 27023
434-688-0609 rllomas@rlomaspe.com

SIGNED: 11/10/2021



Luis R. Lomas P.E.
TX No.: 101889

REVISIONS			
REV	DESCRIPTION	DATE	APPROVED
C	REVISED PER NEW CODE	11/10/2021	R.L.



E ASTRAGAL SECTION
2 INSWING SHOWN-OUTSWING SIMILAR

ASTRAGAL SECTION

ULTIMATE MULTIPOINT ASTRAGAL

SIGNED: 11/10/2021

ENDURA PRODUCTS, INC.
 8817 WEST MARKET STREET
 COLFAX, NC 27235

MASONITE GLAZED
 FIBERGLASS DOOR
 ASTRAGAL AND LOCK SET DETAILS

DRAWN: RM	DWG NO. NL-0016	REV C
SCALE NTS	DATE 09/05/13	SHEET 2 OF 9

L. ROBERTO LOMAS P.E.
 1432 WOODFORD RD LEWISVILLE, NC 27023
 434-688-0609 rllomas@lrlomaspe.com

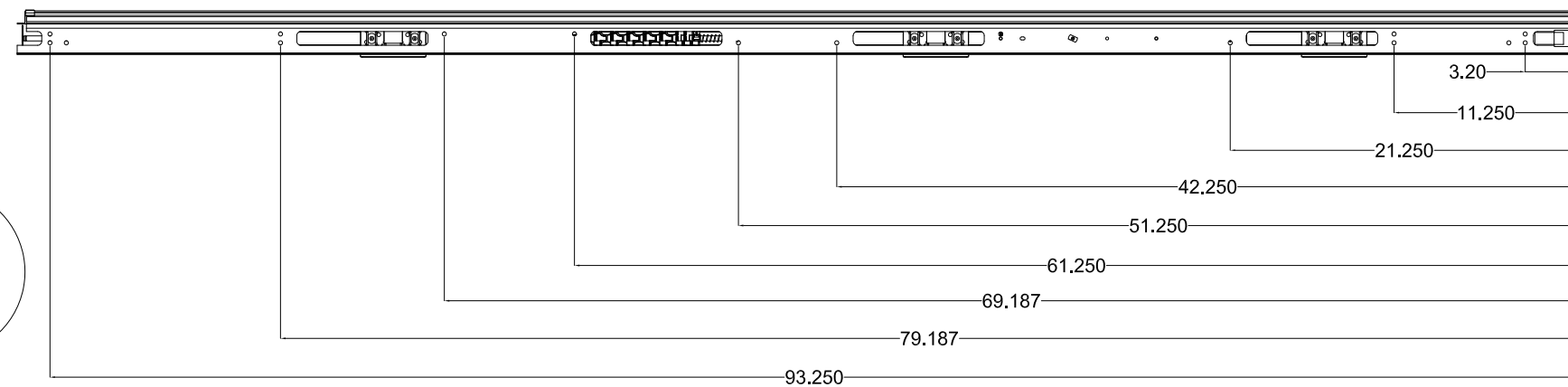


Luis R. Lomas P.E.
 TX No.: 101889

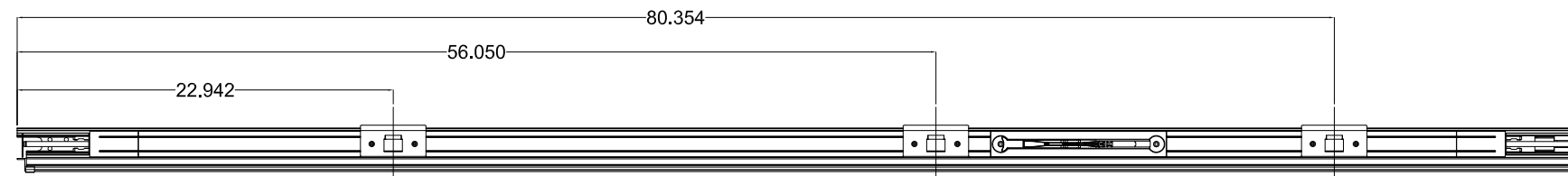
REVISIONS			
REV	DESCRIPTION	DATE	APPROVED
C	REVISED PER NEW CODE	11/10/2021	R.L.

TOP

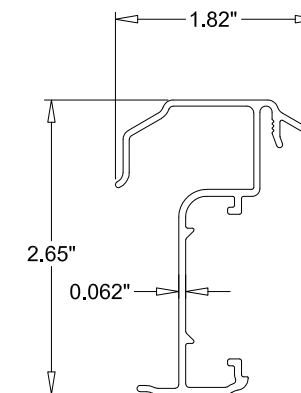
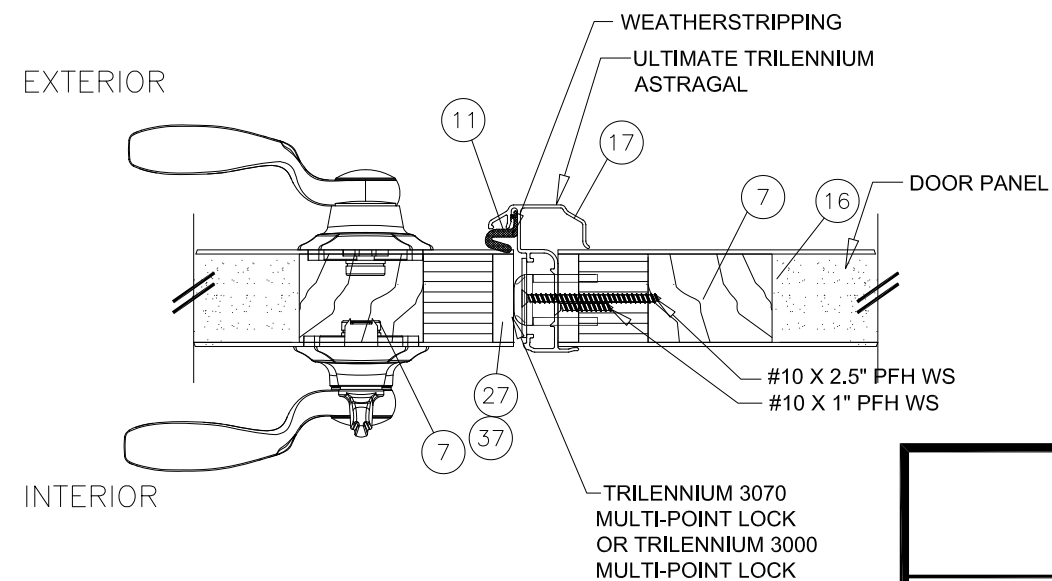
BOTTOM



ANCHOR SCREW LOCATIONS



HARDWARE LOCATIONS



ASTRAGAL SECTION

SIGNED: 11/10/2021

UPPER BOLT SLEEVE

ROLLER STRIKE

BOLT ACUTATOR LEVER

(2) #8 X 1-1/2" PFH WOOD SCREWS

LOWER BOLT SLEEVE

ULTIMATE TRILENNIUM ASTRAGAL

F
3 ASTRAGAL SECTION
INSWING SHOWN-OUTSWING SIMILAR

ENDURA PRODUCTS, INC.

8817 WEST MARKET STREET
COLFAX, NC 27235

MASONITE GLAZED
FIBERGLASS DOOR
ASTRAGAL AND LOCK SET DETAILS

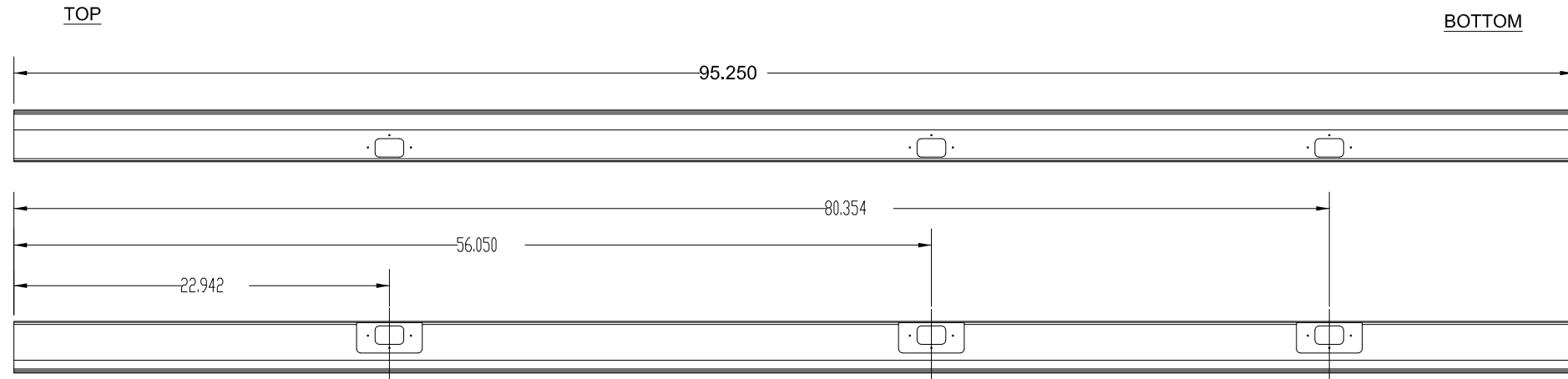
DRAWN: RM	DWG NO. NL-0016	REV C
SCALE NTS	DATE 09/05/13	SHEET 3 OF 9

L. ROBERTO LOMAS P.E.
1432 WOODFORD RD LEWISVILLE, NC 27023
434-688-0609 rllomas@lrlomaspe.com

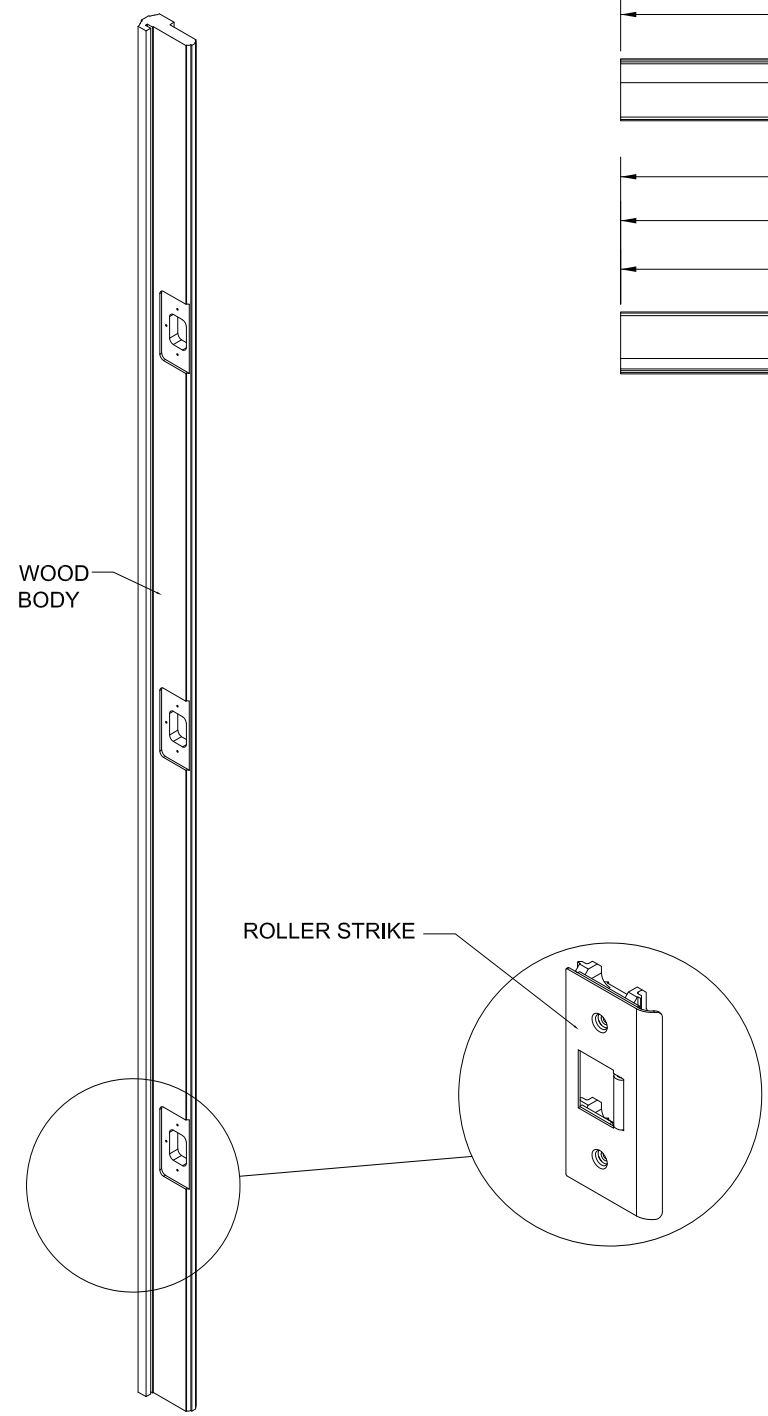


Luis R. Lomas P.E.
TX No.: 101889

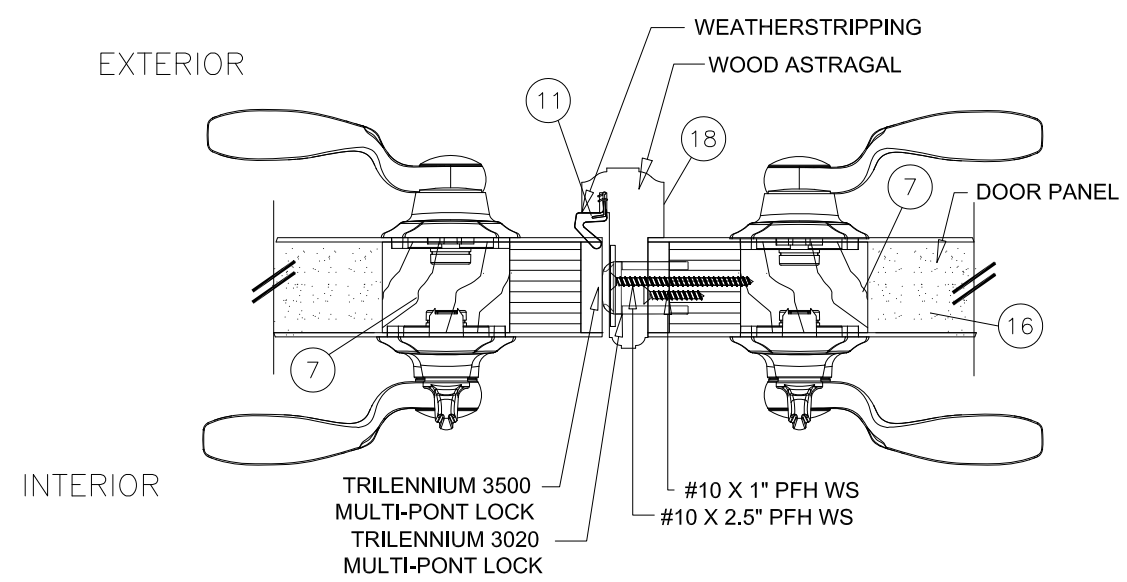
REVISIONS			
REV	DESCRIPTION	DATE	APPROVED
C	REVISED PER NEW CODE	11/10/2021	R.L.



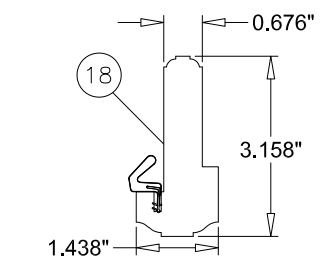
HARDWARE LOCATIONS



WOOD ASTRAGAL



ASTRAGAL SECTION
INSWING SHOWN-OUTSWING SIMILAR



ASTRAGAL SECTION

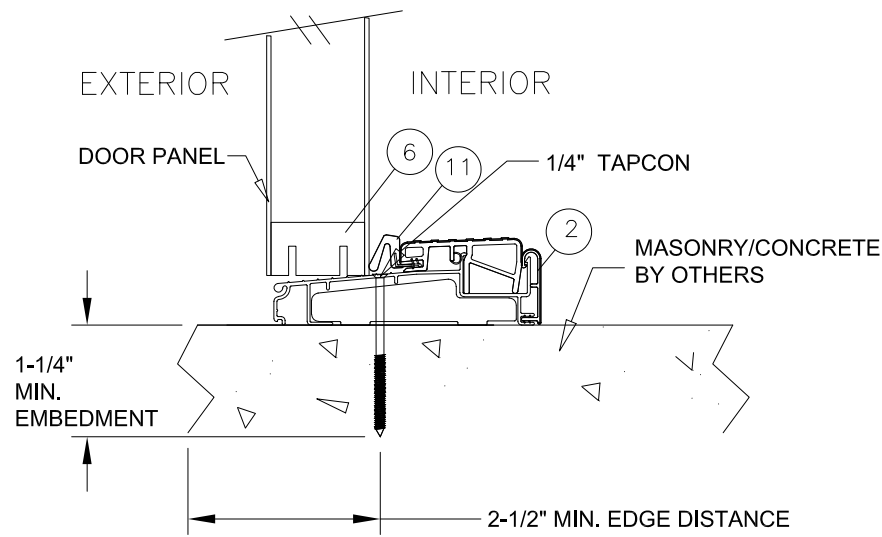
SIGNED: 11/10/2021

ENDURA PRODUCTS, INC. 8817 WEST MARKET STREET COLFAX, NC 27235		
MASONITE GLAZED FIBERGLASS DOOR ASTRAGAL AND LOCK SET DETAILS		
DRAWN: RM	DWG NO. NL-0016	REV C
SCALE NTS	DATE 09/05/13	SHEET 4 OF 9
L. ROBERTO LOMAS P.E. 1432 WOODFORD RD LEWISVILLE, NC 27023 434-688-0609 rllomas@lrlomaspe.com		

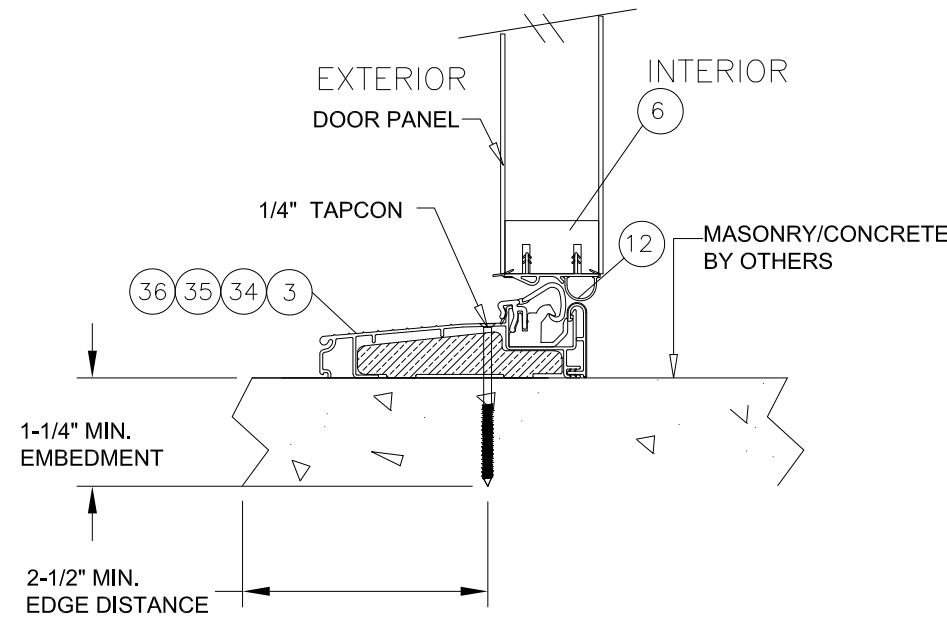


Luis R. Lomas P.E.
TX No.: 101889

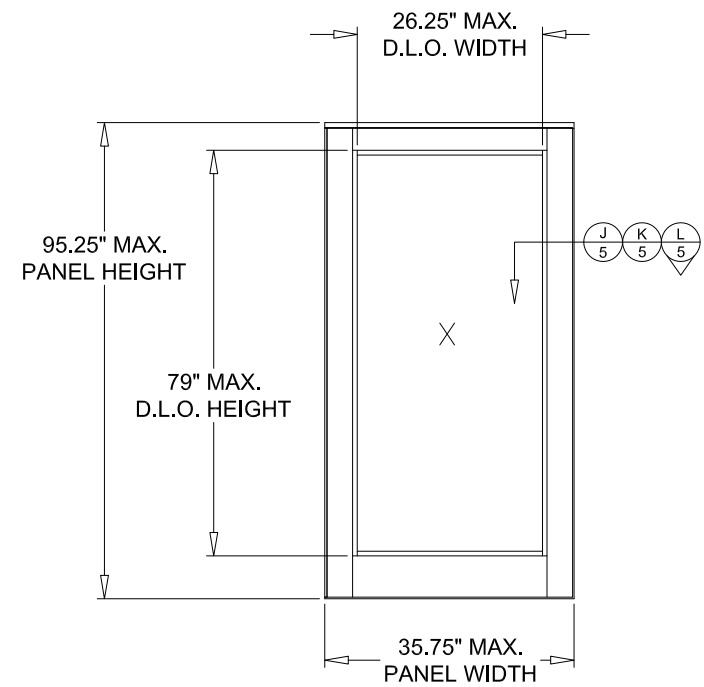
REVISIONS			
REV	DESCRIPTION	DATE	APPROVED
C	REVISED PER NEW CODE	11/10/2021	R.L.



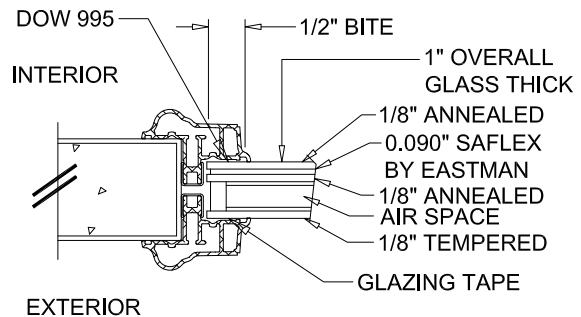
A VERTICAL CROSS SECTION
5 OUTSWING MASONRY/CONCRETE INSTALLATION



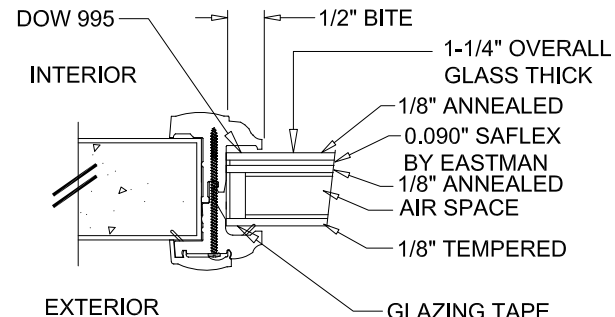
C VERTICAL CROSS SECTION
5 IN-SWING MASONRY/CONCRETE INSTALLATION



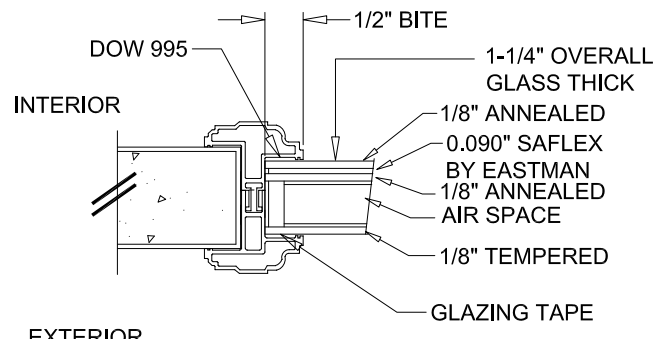
MASONITE
 GLAZED INSERT
 FIBERGLASS



J HORIZONTAL CROSS SECTION
5 ODL SEVERE WEATHER
 GLAZING INSERT OPTION



K HORIZONTAL CROSS SECTION
5 RSL HURRICANE IMPACT
 GLAZING INSERT OPTION



L HORIZONTAL CROSS SECTION
5 SPECIALTY IMPACT
 GLAZING INSERT OPTION

SIGNED: 11/10/2021

ENDURA PRODUCTS, INC.
 8817 WEST MARKET STREET
 COLFAX, NC 27235

MASONITE GLAZED
 FIBERGLASS DOOR
 GLAZING INSERT AND SILL DETAILS

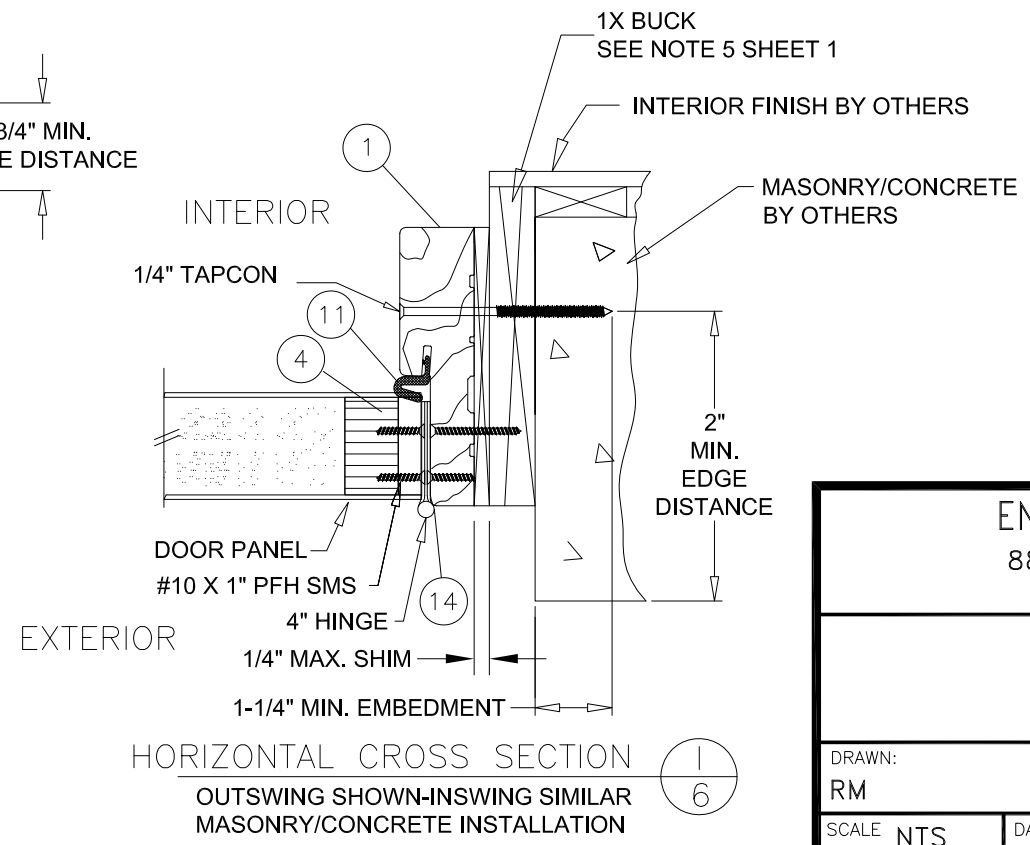
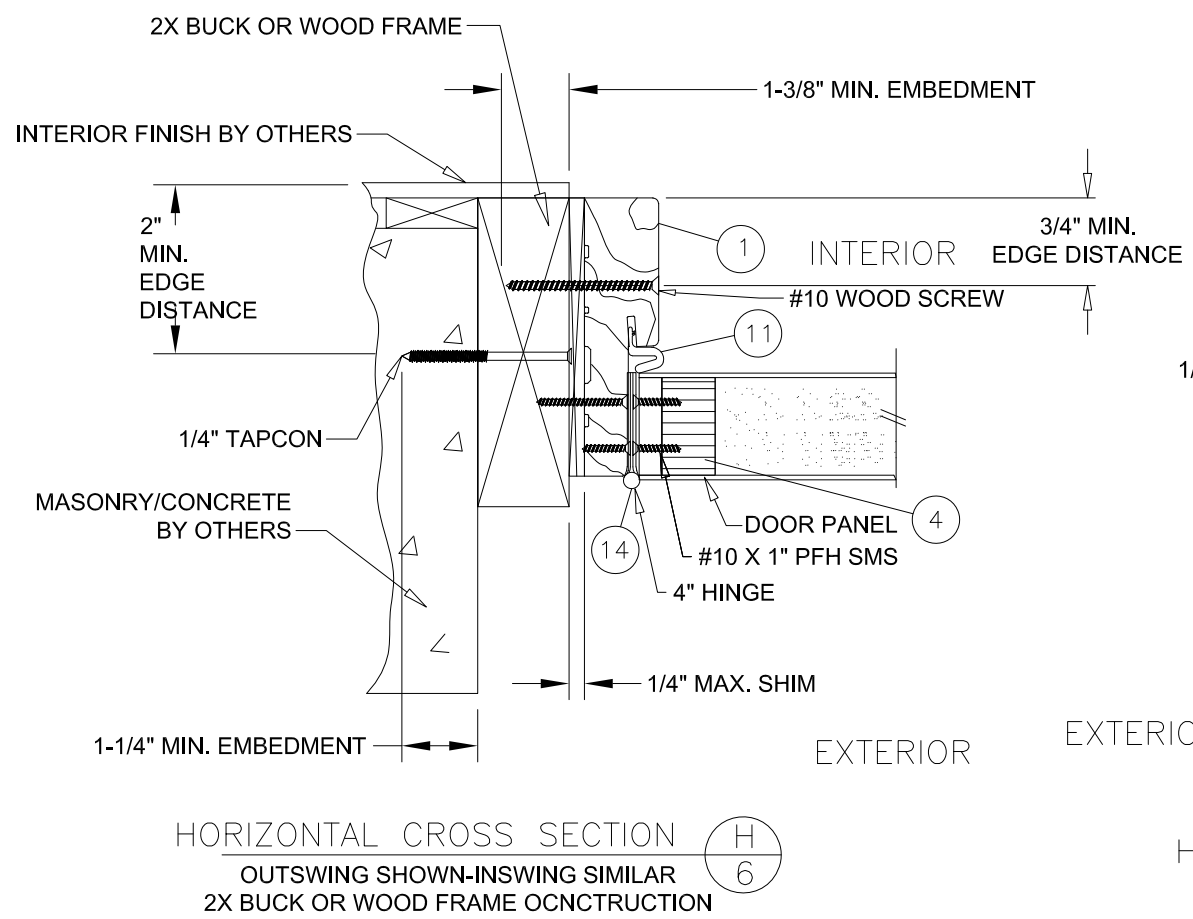
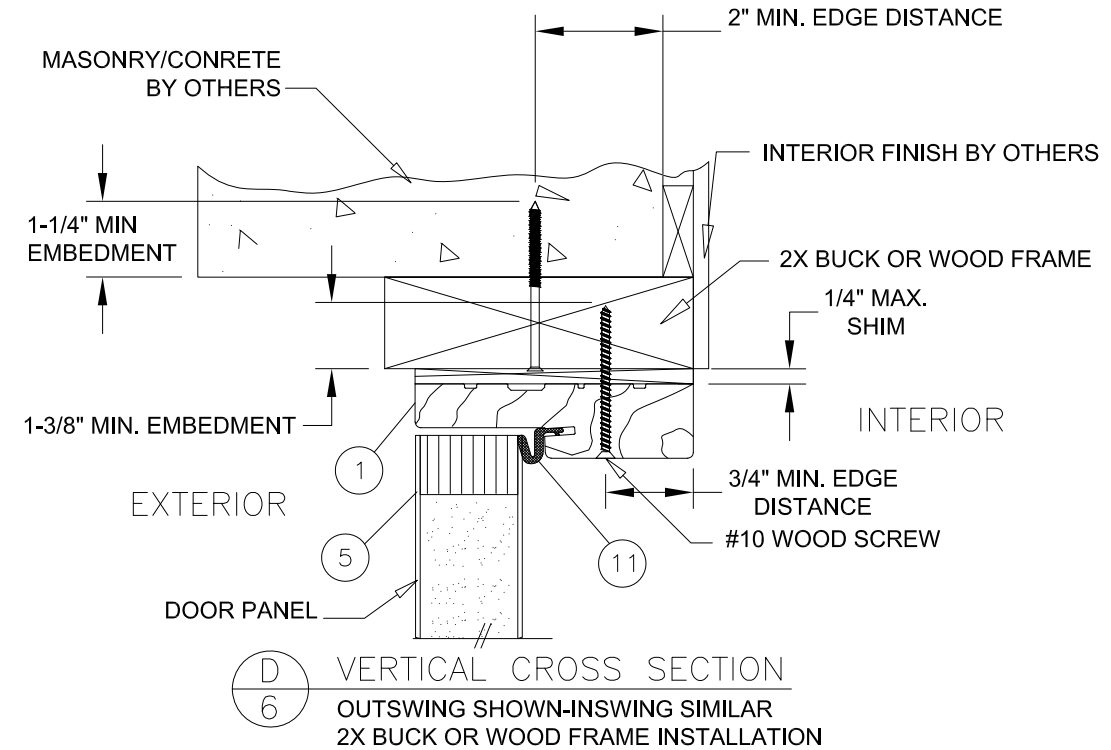
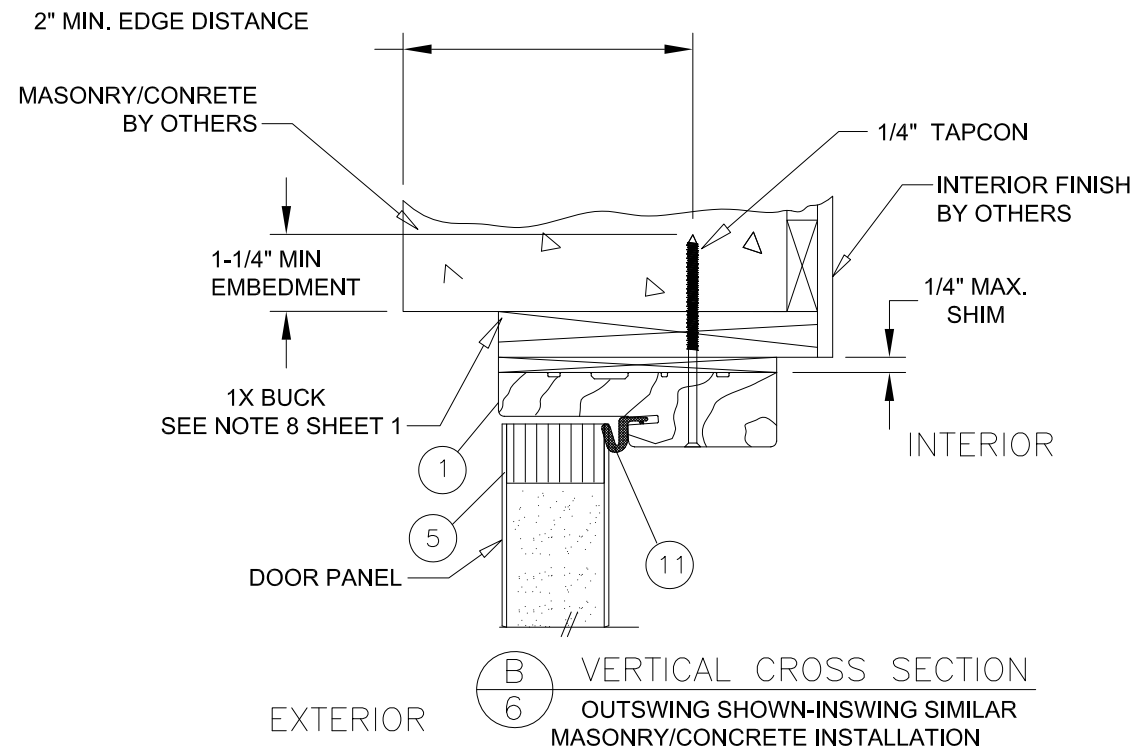
DRAWN: RM	DWG NO. NL-0016	REV C
SCALE NTS	DATE 09/05/13	SHEET 5 OF 9

L. ROBERTO LOMAS P.E.
 1432 WOODFORD RD LEWISVILLE, NC 27023
 434-688-0609 rllomas@lrlomaspe.com



Luis R. Lomas P.E.
 TX No.: 101889

REVISIONS			
REV	DESCRIPTION	DATE	APPROVED
C	REVISED PER NEW CODE	11/10/2021	R.L.



ENDURA PRODUCTS, INC.
8817 WEST MARKET STREET
COLFAX, NC 27235

MASONITE GLAZED
FIBERGLASS DOOR
DOOR CROSS SECTIONS

DRAWN: RM	DWG. NO. NL-0016	REV C
SCALE NTS	DATE 09/05/13	SHEET 6 OF 9

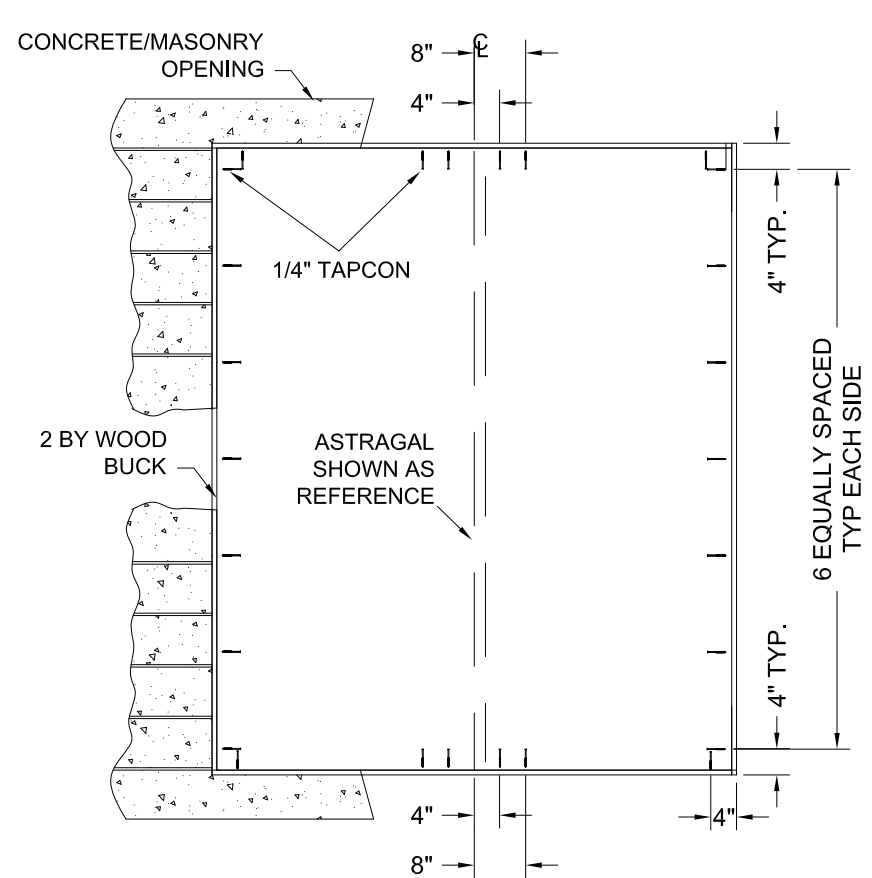
L. ROBERTO LOMAS P.E.
1432 WOODFORD RD LEWISVILLE, NC 27023
434-688-0609 rllomas@rlomaspe.com

SIGNED: 11/10/2021

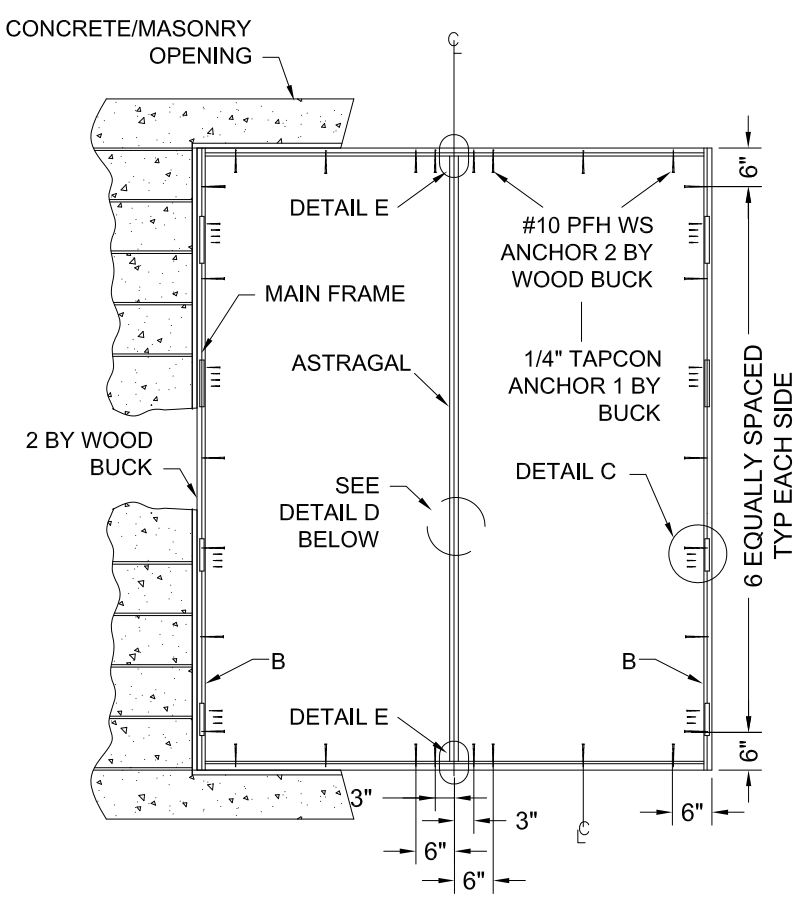


Luis R. Lomas P.E.
TX No.: 101889

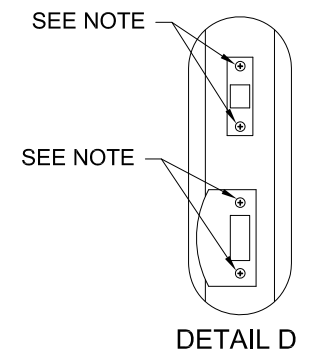
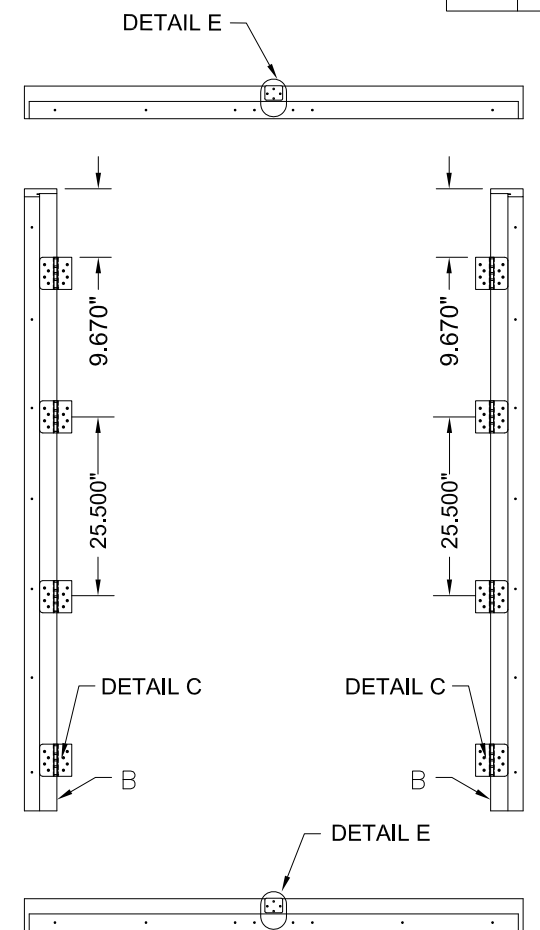
REVISIONS			
REV	DESCRIPTION	DATE	APPROVED
C	REVISED PER NEW CODE	11/10/2021	R.L.



**WOOD BUCK TO
SUBSTRATE ANCHORING
XX**



**MAIN FRAME TO
BUCK ANCHORING
XX**

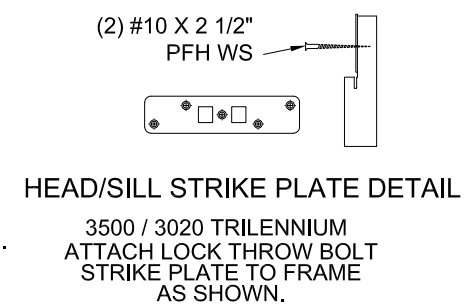


DETAIL D
NOTE:
ATTACH STRIKE & DEADBOLT
PLATES TO STRIKE & BUCK
WITH #10 X 2\"/>

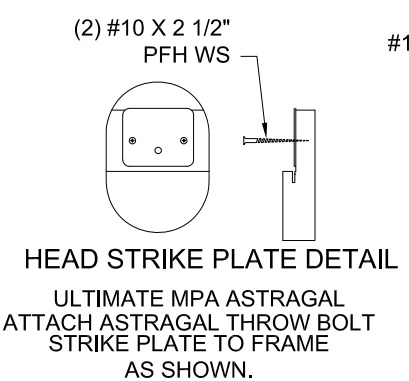
INSTALLATION NOTES:

- ONE (1) INSTALLATION ANCHOR IS REQUIRED AT EACH ANCHOR LOCATION SHOWN.
- NUMBER OF INSTALLATION ANCHORS DEPICTED IS THE MINIMUM NUMBER OF ANCHORS TO BE USED FOR PRODUCT INSTALLATION. ANCHORS MUST MATCH TYPE, SIZE, AND EMBEDMENT OF THOSE SHOWN HEREIN FOR RESPECTIVE SUBSTRATE.
- SHIM AS REQUIRED AT EACH INSTALLATION ANCHOR WITH LOAD BEARING SHIM(S). MAXIMUM ALLOWABLE SHIM SIZE IS 1/4 INCH. SHIM WHERE SPACE OF 1/8 INCH OR GREATER OCCURS. SHIM(S) SHALL BE CONSTRUCTED OF HIGH DENSITY PLASTIC OR BETTER.
- FOR INSTALLATION INTO WOOD FRAMING, USE #10 WOOD SCREWS OF SUFFICIENT LENGTH TO ACHIEVE 1-3/8\"/>

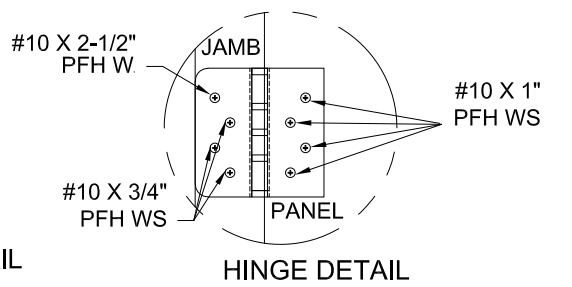
- WOOD - MINIMUM SPECIFIC GRAVITY OF 0.42.
- CONCRETE - MINIMUM COMPRESSIVE STRENGTH OF 3192 PSI.
- MASONRY - STRENGTH CONFORMANCE TO ASTM C-90, GRADE N, TYPE 1 (OR GREATER).



HEAD/SILL STRIKE PLATE DETAIL
3500 / 3020 TRILENNIUM
ATTACH LOCK THROW BOLT
STRIKE PLATE TO FRAME
AS SHOWN.



HEAD STRIKE PLATE DETAIL
ULTIMATE MPA ASTRAGAL
ATTACH ASTRAGAL THROW BOLT
STRIKE PLATE TO FRAME
AS SHOWN.



HINGE DETAIL

ENDURA PRODUCTS, INC.
8817 WEST MARKET STREET
COLFAX, NC 27235

MASONITE GLAZED
FIBERGLASS DOOR
ELEVATION AND ANCHOR LAYOUT

DRAWN: RM	DWG NO. NL-0016	REV C
SCALE NTS	DATE 09/05/13	SHEET 7 OF 9

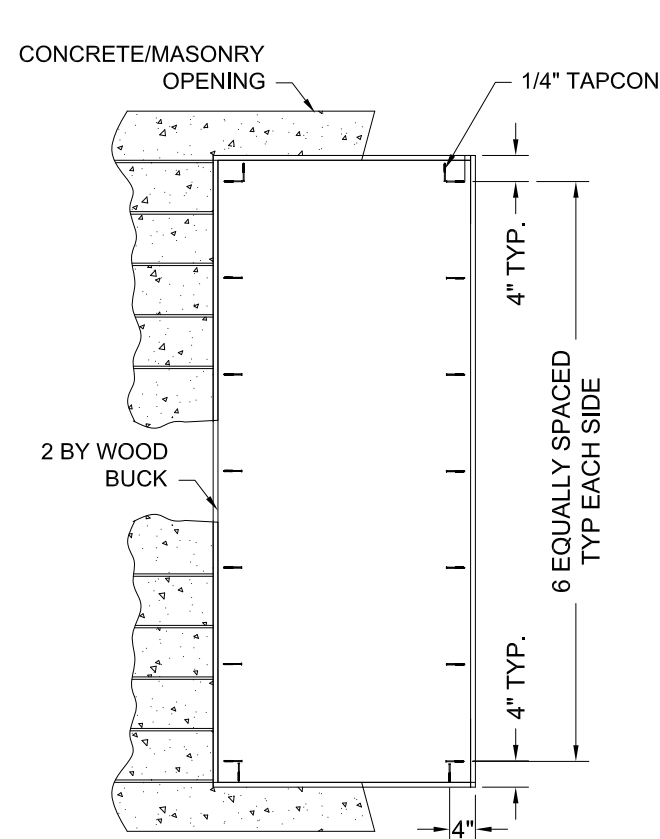
L. ROBERTO LOMAS P.E.
1432 WOODFORD RD LEWISVILLE, NC 27023
434-688-0609 rllomas@rlomaspe.com

SIGNED: 11/10/2021

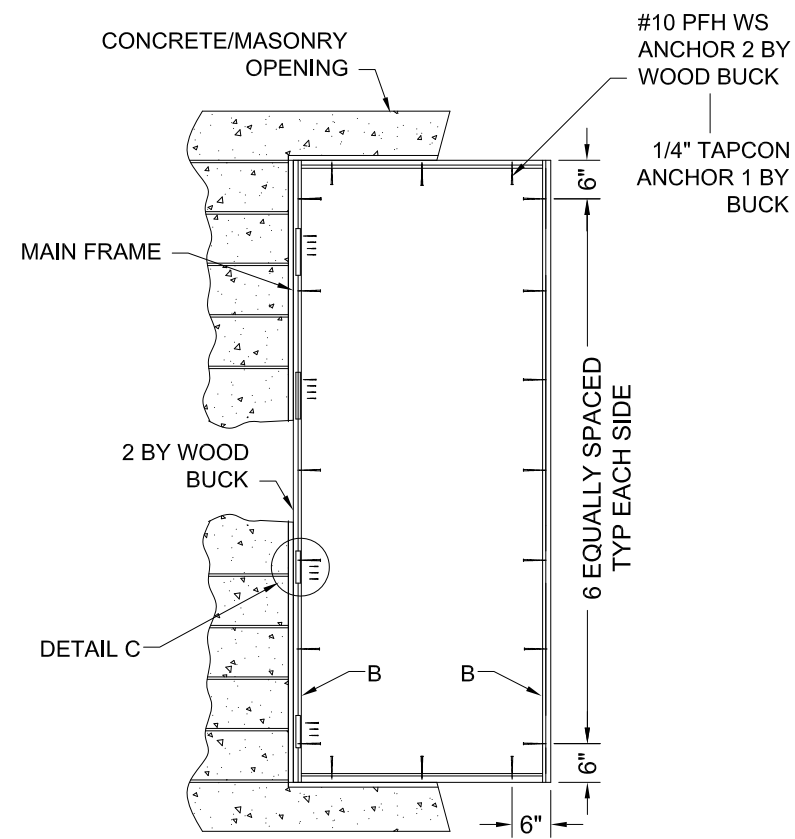


Luis R. Lomas P.E.
TX No.: 101889

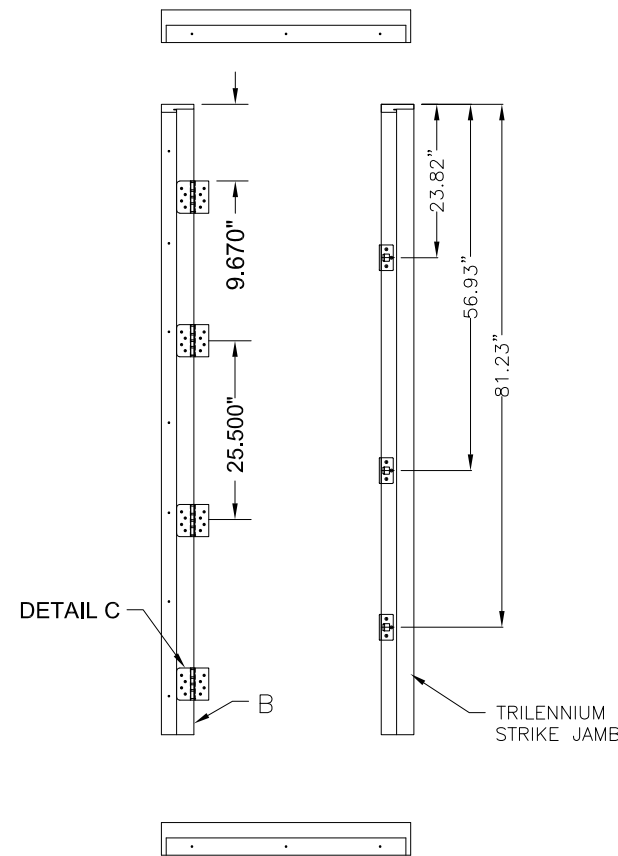
REVISIONS			
REV	DESCRIPTION	DATE	APPROVED
C	REVISED PER NEW CODE	11/10/2021	R.L.



WOOD BUCK TO
SUBSTRATE ANCHORING
X



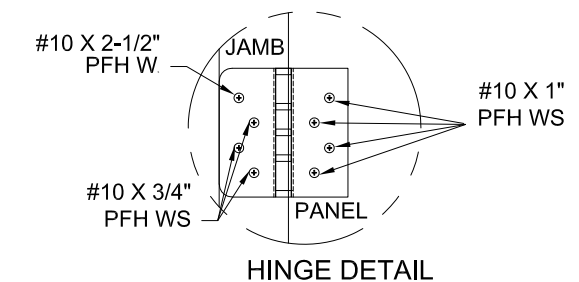
MAIN FRAME TO
BUCK ANCHORING
X



SEE NOTE
SEE NOTE

NOTE:
ATTACH STRIKE & DEADBOLT
PLATES TO STRIKE & BUCK
WITH #10 X 2" FH WOOD SCREW
ATTACH STRIKE & DEAD BOLT
PLATES TO ASTRAGAL WITH
#8 X 2 1/2" FH WOOD SCREWS
ATTACH STRIKE TO JAMB &
SIDELITE JAMB WITH #10 X 1 3/4"
FH WOOD SCREW.

DETAIL D



INSTALLATION NOTES:

- ONE (1) INSTALLATION ANCHOR IS REQUIRED AT EACH ANCHOR LOCATION SHOWN.
- THE NUMBER OF INSTALLATION ANCHORS DEPICTED IS THE MINIMUM NUMBER OF ANCHORS TO BE USED FOR PRODUCT INSTALLATION. ANCHORS ARE TO MATCH TYPE, SIZE, AND EMBEDMENT OF THOSE SHOWN HEREIN FOR RESPECTIVE SUBSTRATE.
- SHIM AS REQUIRED AT EACH INSTALLATION ANCHOR WITH LOAD BEARING SHIM(S). MAXIMUM ALLOWABLE SHIM SIZE IS 1/4 INCH. SHIM WHERE SPACE OF 1/8 INCH OR GREATER OCCURS. SHIM(S) SHALL BE CONSTRUCTED OF HIGH DENSITY PLASTIC OR BETTER.
- FOR INSTALLATION INTO WOOD FRAMING, USE #10 WOOD SCREWS OF SUFFICIENT LENGTH TO ACHIEVE 1 3/8" MINIMUM EMBEDMENT.
- FOR INSTALLATION THROUGH 1X BUCK TO CONCRETE / MASONRY, OR DIRECTLY INTO CONCRETE / MASONRY, USE 1/4 TAPCON OF SUFFICIENT LENGTH TO ACHIEVE 1 1/4" MINIMUM EMBEDMENT WITH A 2" MINIMUM EDGE DISTANCE.
- ALTERNATE CONCRETE / MASONRY INSTALLATION ANCHORS OF EQUIVALENT PERFORMANCE CHARACTERISTICS CAN BE USED UPON APPROVAL OF ARCHITECT OR ENGINEER OF RECORD FOR THE PROJECT OF INSTALLATION.
- MINIMUM EMBEDMENT AND EDGE DISTANCE EXCLUDE WALL FINISHES (INCLUDING BUT NOT LIMITED TO STUCCO, FOAM, BRICK VENEER, AND SIDING).
- INSTALLATION ANCHOR CAPACITIES FOR PRODUCTS SHOWN HEREIN ARE BASED ON SUBSTRATE MATERIALS WITH THE FOLLOWING PROPERTIES:
 - WOOD - MINIMUM SPECIFIC GRAVITY OF 0.42.
 - CONCRETE - MINIMUM COMPRESSIVE STRENGTH OF 3192 PSI.
 - MASONRY - STRENGTH CONFORMANCE TO ASTM C-90, GRADE N, TYPE 1 (OR GREATER).

SIGNED: 11/10/2021

ENDURA PRODUCTS, INC.
8817 WEST MARKET STREET
COLFAX, NC 27235

MASONITE GLAZED
FIBERGLASS DOOR
ELEVATION AND ANCHOR LAYOUT

DRAWN: RM	DWG NO. NL-0016	REV C
SCALE NTS	DATE 09/05/13	SHEET 8 OF 9

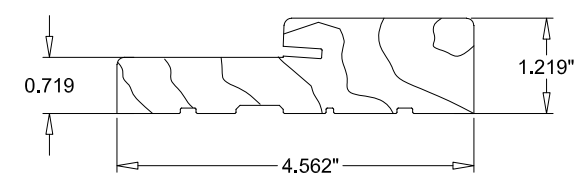
L. ROBERTO LOMAS P.E.
1432 WOODFORD RD LEWISVILLE, NC 27023
434-688-0609 rllomas@rlomaspe.com



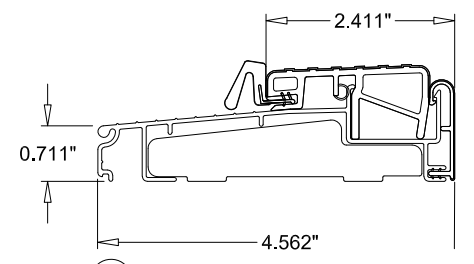
Luis R. Lomas P.E.
TX No.: 101889

BILL OF MATERIAL			
ITEM #	DESCRIPTION	QTY.	MATERIAL
1	HEAD / JAMB		
2	OUTSWING BUMP THRESHOLD ZOBL4565		
3	INSWING ADJUSTABLE THRESHOLD ZA4565		
4	DOOR STILE - CORE MATERIAL WOOD OR LVL		
5	DOOR TOP RAIL		
6	DOOR BOTTOM RAIL		
7	DOOR LOCK STILE - CORE MATERIAL WOOD OR LVL		
8	DOOR SKIN (MIN. 0.070" THICK)		
9	DOOR SKIN (MIN. 0.085" THICK)		
10	REINFORCEMENT WOOD FOR LOCKS		
11	COMPRESSION WEATHERSTRIP-PE-650 OR 500 QLON		
12	VINYL DOOR BOTTOM SWEEP-DBKAC		
13	CORNER PAD		
14	4" X 4" HINGE BUTT		
15	CONTINUOUS LATCH AND HINGE STILE REINFORCEMENT		
16	POLYURETHANE FOAM BY MASONITE		
17	EXTRUDED ALUMINUM ASTRAGAL BY ENDURA-6063T-6		
18	WOOD ASTRAGAL BY ENDURA		
19	LATCH STRIKE PLATE		
20	DEAD BOLT STRIKE PLATE		
21	KWIKSET KNOB (SIGNATURE SERIES)		
22	KWIKSET DEADBOLT (SIGNATURE SERIES 980 / 985)		
23	LATCH STRIKE PLATE 3500 / 3020		
24	DEADBOLT PLATE		
25	ASTRAGAL STRIKE PLATE		
26	TRILENNIUM 3500 / 3020 LOCK		
27	TRILENNIUM 3070 MULTIPOINT LOCK		
28	#10 X 3 / 4" PFH WOOD SCREW (HINGE TO FRAME)		
29	#10 X 2 - 1 / 2" PFH WOOD SCREW		
30	#10 X 1" PFH WOOD SCREW		
31	ODL GLAZING INSERT-ALUMINUM LIGHT FRAME		
32	RSL GLAZING INSERT-PVC FRAME		
33	ECLIPSE INTERIOR LOCK TRIM		
34	INSWING THRESHOLD ZA4565		
35	INSWING THRESHOLD ZAIL4565		
36	INSWING THRESHOLD ZAILAA4565		
37	TRILENNIUM 3000 MULTIPOINT LOCK		

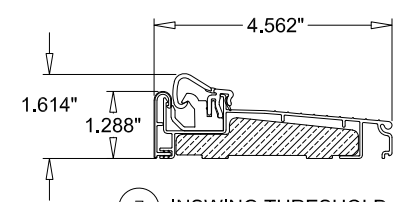
REVISIONS			
REV	DESCRIPTION	DATE	APPROVED
C	REVISED PER NEW CODE	11/10/2021	R.L.



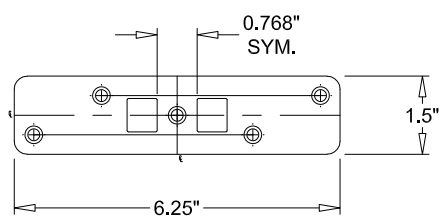
1 FRAME HEAD / JAMB BY ENDURA (PINE SG = 0.37)



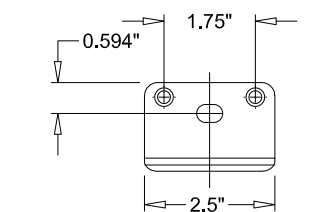
2 OUTSWING THRESHOLD ALUMINUM / WOOD BY ENDURA ZOBL4565



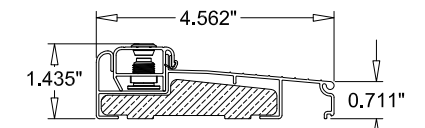
3 INSWING THRESHOLD ALUMINUM / WOOD BY ENDURA ZA4565



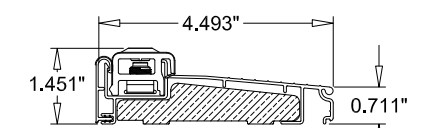
23 3500 / 3020 STRIKE PLATE STEEL



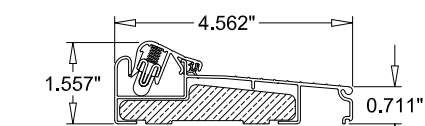
25 ASTRAGAL STRIKE PLATE STEEL



36 INSWING THRESHOLD ALUMINUM / WOOD BY ENDURA ZAILAA4565



35 INSWING THRESHOLD ALUMINUM / WOOD BY ENDURA ZAIL4565



34 INSWING THRESHOLD ALUMINUM / WOOD BY ENDURA ZA4565

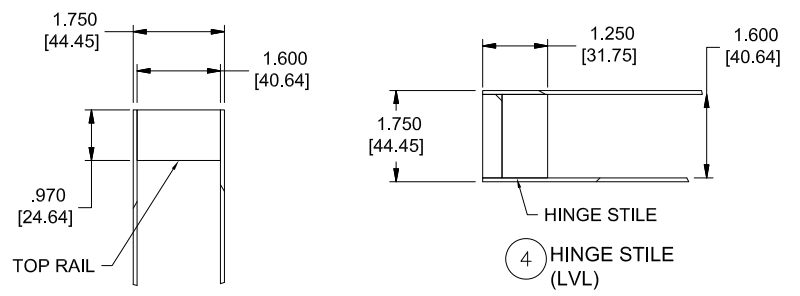
GENERAL PLASTICS NOTES:
 1. POLYURETHANE CORE FLAME SPREAD INDEX OF 50 AND SMOKE DEVELOPED INDEX OF 60 PER ASTM E84.
 2. PLASTICS TESTING OF FIBERLASS FACING:

Test Description	Test Method	Test Result
SELF IGNITION TEMP	ASTM D1929	Passed (>650 °F)
RATE OF BURNING	ASTM D635	Passed (C-1:<1.0 in/min)
SMOKE DENSITY	ASTM D2843	Passed (<75%)
TENSILE STRENGTH*	ASTM D638	Passed (<10%)

3. PVC PLASTICS TESTING OF RSL LITE FRAME MATERIAL

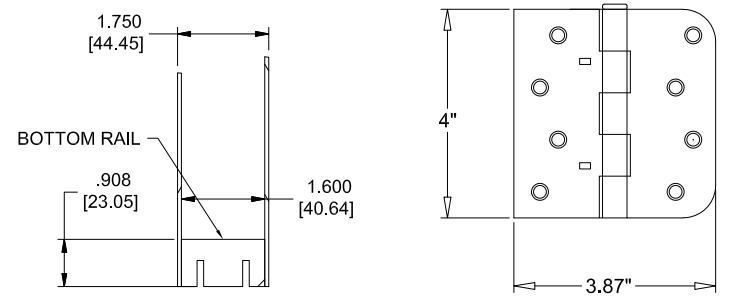
Test Description	Test Method	Test Result
SELF IGNITION TEMP	ASTM D1929	Passed (>650 °F)
RATE OF BURNING	ASTM D635	Passed (C-1:<1.0 in/min)
SMOKE DENSITY	ASTM D2843	Passed (<75%)
FLEXURAL STRENGTH*	ASTM D790	BEFORE = 3366 PSI AFTER = *3058 PSI

* STRENGTH TEST AFTER WEATHERING, PER SECTION 2612.2 OF THE FBC.



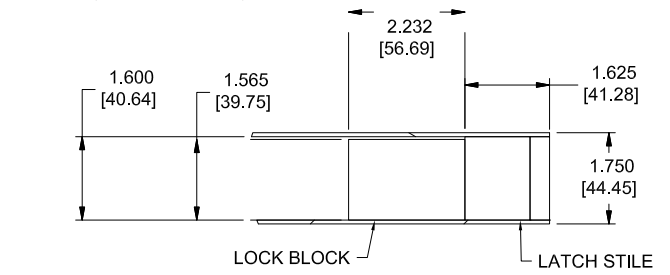
5 DOOR TOP RAIL (PINE SG = 0.42)

4 HINGE STILE (LVL)

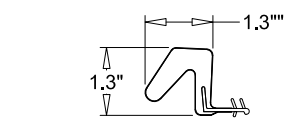


6 DOOR BOTTOM RAIL (PINE SG = 0.42)

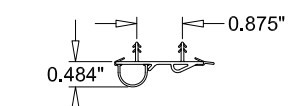
14 4" X 4" HINGE 0.097" THICK STEEL



7 LOCK STILE (LVL)



11 WEATHERSTRIPPING PE-650 FOAM



12 DOOR BOTTOM SWEEP (VINYL)

ENDURA PRODUCTS, INC.
 8817 WEST MARKET STREET
 COLFAX, NC 27235

MASONITE GLAZED
 FIBERGLASS DOOR
 BILL OF MATERIALS AND COMPONENTS

DRAWN: RM	DWG NO. NL-0016	REV C
SCALE NTS	DATE 09/05/13	SHEET 9 OF 9

L. ROBERTO LOMAS P.E.
 1432 WOODFORD RD LEWISVILLE, NC 27023
 434-688-0609 rllomas@lrlomaspe.com

SIGNED: 11/10/2021



Luis R. Lomas P.E.
 TX No.: 101889