



Glazed Fiberglass Door

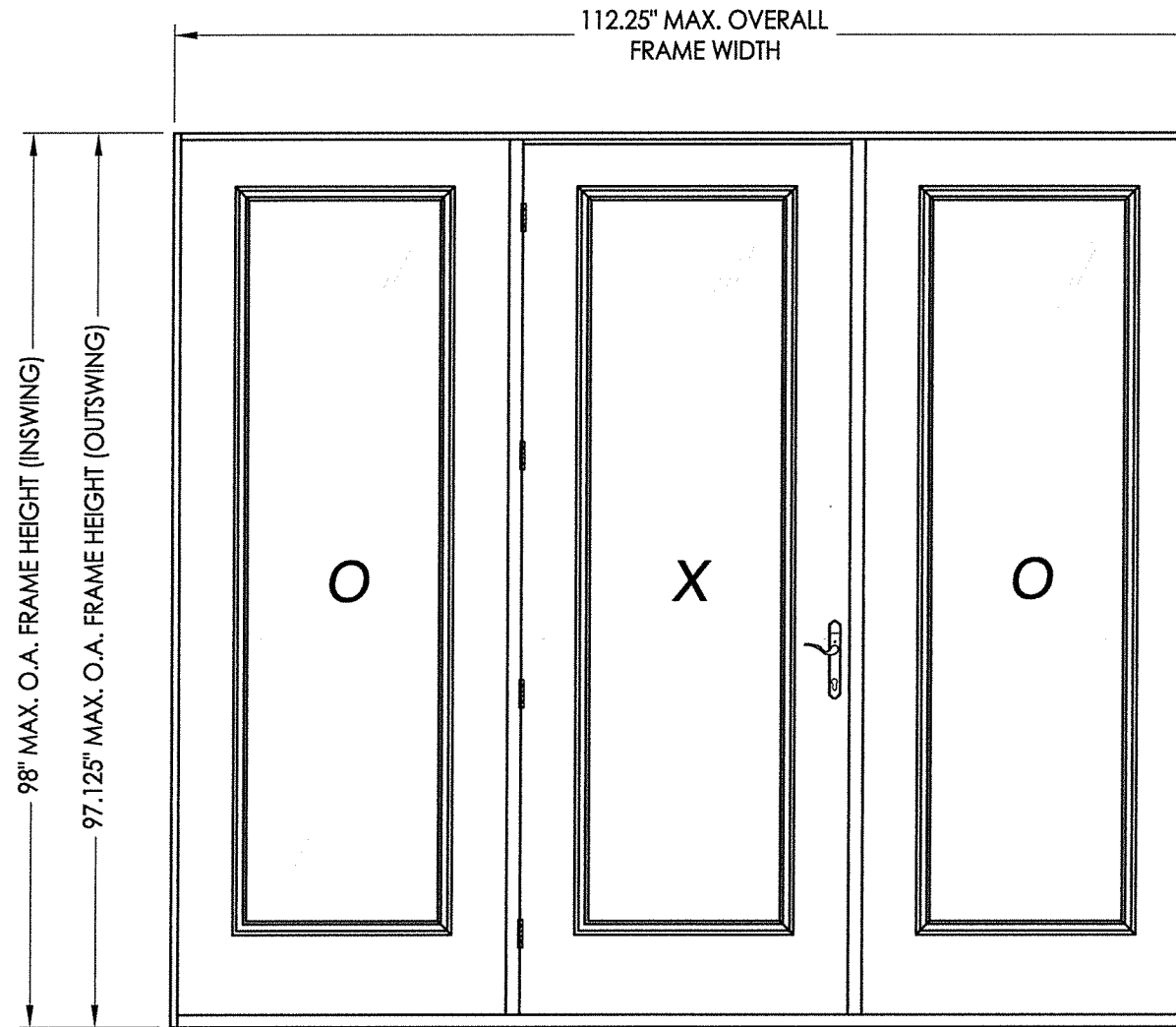
"NON-IMPACT"
IN SWING / OUT SWING

EVALUATED FOR USE IN THE STATE OF TEXAS

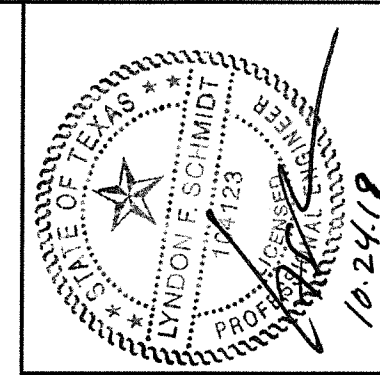
The Glazed Fiberglass Door system described herein complies with the 2018 International Residential Code (IRC), Sections R301 & R609 and the 2018 International Building Code (IBC), Sections 1404.13, 1609, 1709.5, 2403 and 2404 subject to the following conditions:

1. Anchors shall be as listed and spaced as shown in the details. Anchor embedment to base material shall be beyond wall dressing or stucco.
2. When used in areas requiring wind-borne debris protection this product is required to be protected with an impact resistant covering that complies with Section R301.2.1.2 of the IRC and Section 1609.2 of the IBC.
3. Allowable design pressure requirements must be equal to or less than the design pressure rating shown in the design pressure chart, sheet 1 of this drawing.
4. Conditions not covered by this drawing are subject to further engineering analysis.

TABLE OF CONTENTS	
SHEET #	DESCRIPTION
1	Typical elevations, design pressures & general notes
2	Door panel details
3	Slidelite panel details (lip lite insert glazing)
4	Horizontal cross sections
5	Vertical cross sections
6	Vertical cross sections
7	Frame anchoring



CONFIG.	MODEL	DESIGN PRESSURE (PSF)	
		POSITIVE	NEGATIVE
OXO	IN SWING	+50.0	-50.0
OXO	OUT SWING	+40.0	-40.0

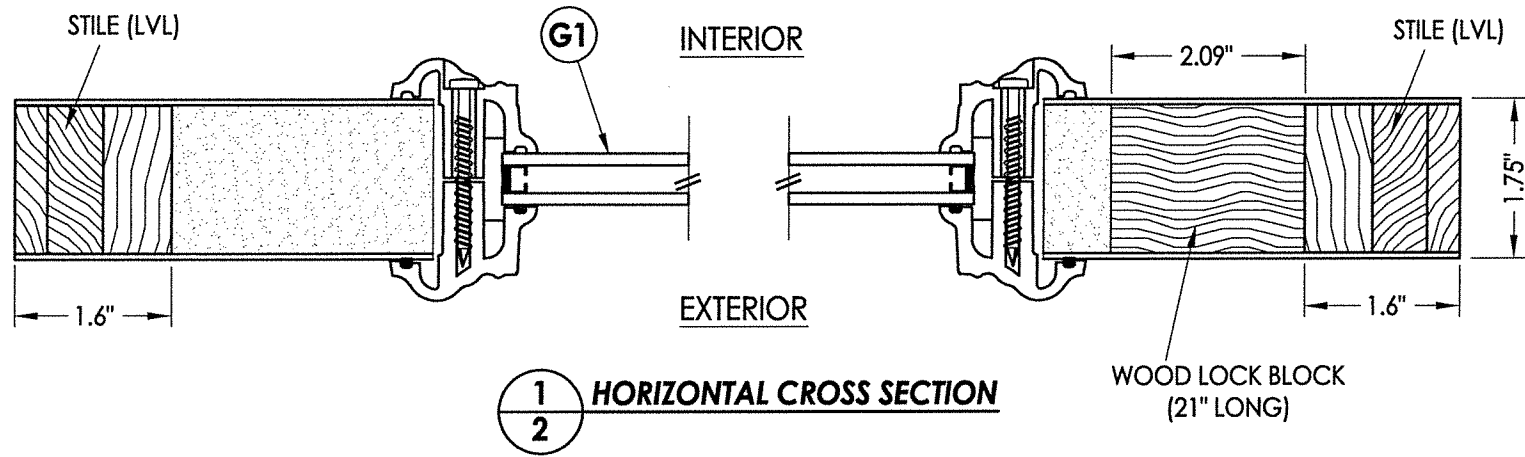


Documents Prepared By: Lyndon F. Schmidt, P.E.
TEXAS P.E. #104123

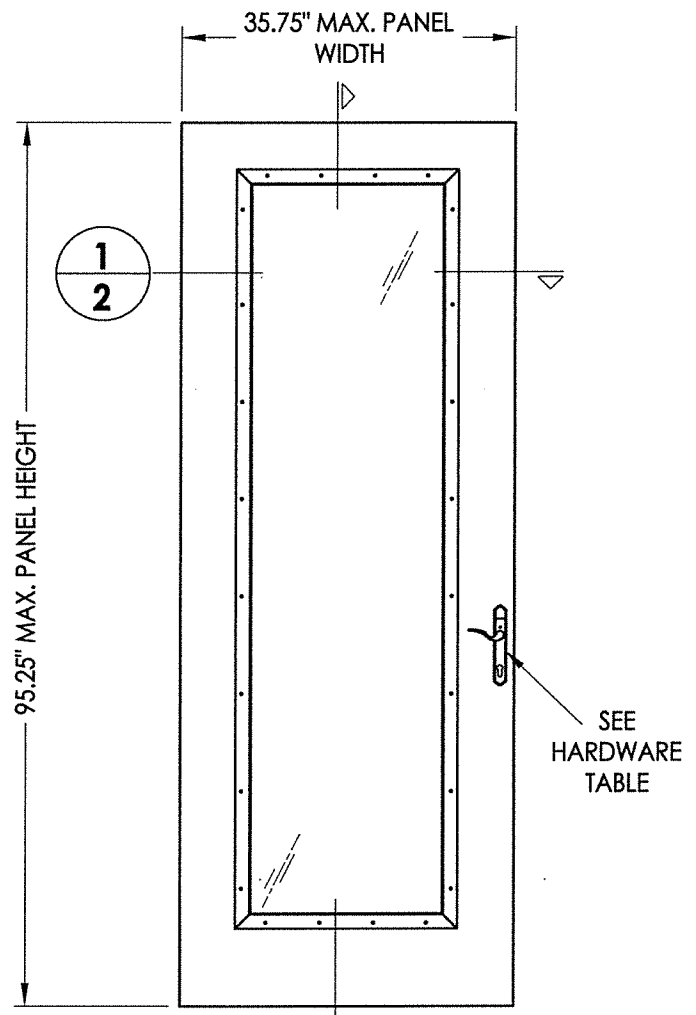
RW BUILDING CONSULTANTS, INC.
P.O. Box 230 Valrico FL 33595
Phone No.: 813.659.9197
TEXAS BOARD OF PROFESSIONAL ENGINEERS
CERTIFICATE OF REGISTRATION # F-11852

PRODUCT:	ENDURA
PART OR ASSEMBLY:	TYPICAL ELEVATION, DESIGN PRESSURES & GENERAL NOTES
DATE:	11/09/16
SCALE:	N.T.S.
DWG. BY:	JK
CHK. BY:	LFS
DRAWING NO.:	TX-4676
SHEET	1 OF 7

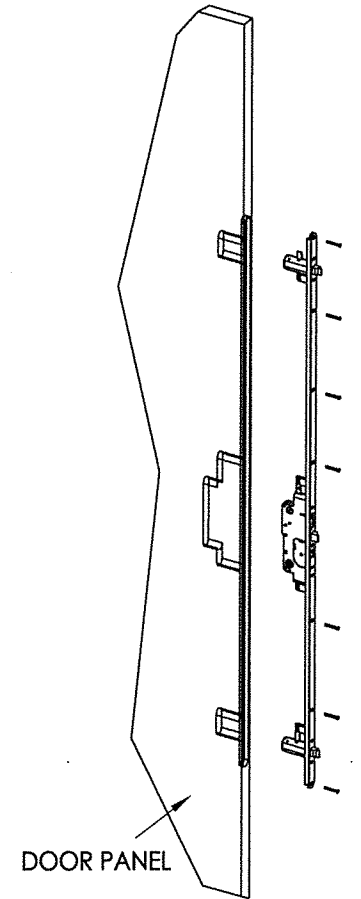
R:\Clients\Endura PERMANENT\B - Texas Dept of Ins\TDI - DR-705 Masonite FG N\IC - Drawings\REV 2018 IBC\TX-4674.76.dwg, TX-4676



1
2 HORIZONTAL CROSS SECTION

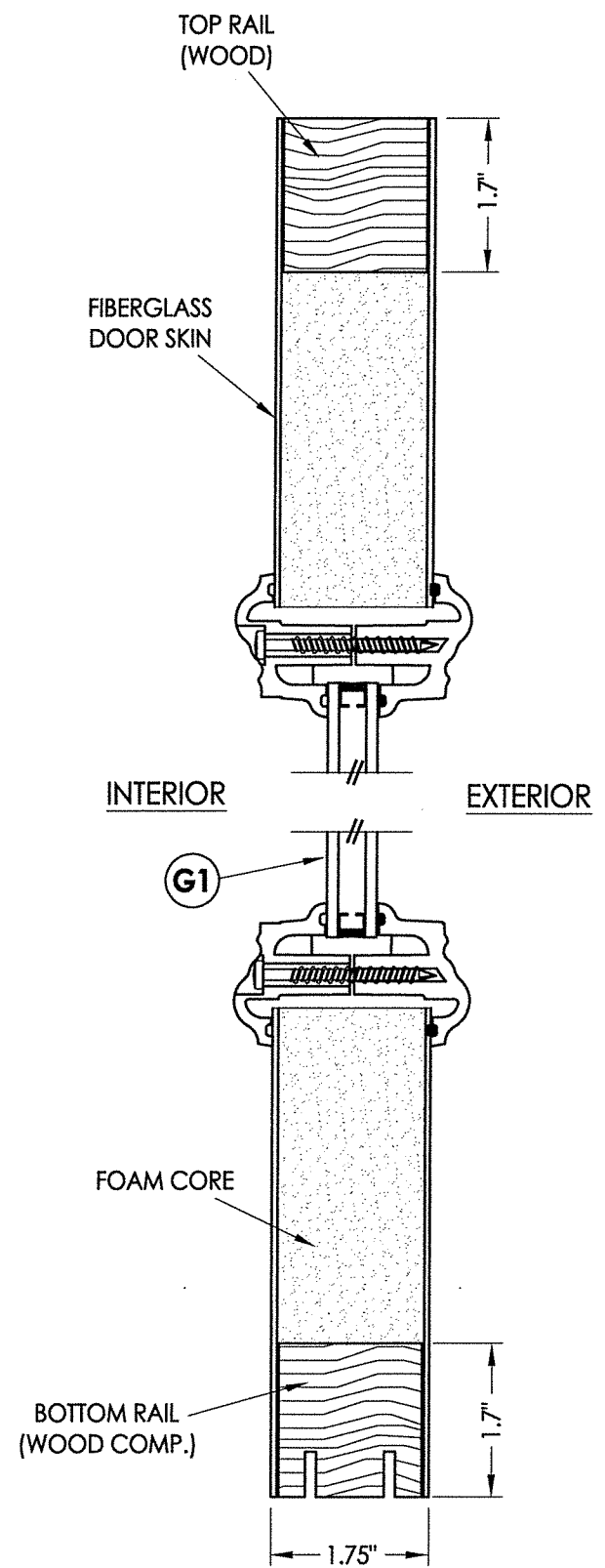


2
2 DOOR PANEL
Masonite
Fiberglass

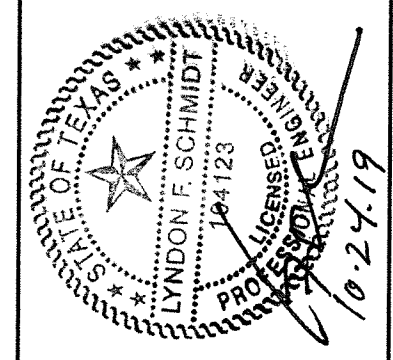


HARDWARE TABLE	
MANUFACTURER	MODEL
Endura	Trilennium® 3000 Series Multipoint lock (3pt.)

DOOR PANEL SKIN: FIBERGLASS (0.075" MIN. THICKNESS)
CORE MATERIAL: POLYURETHANE FOAM (1.9 PCF MIN.)



2
2 VERTICAL CROSS SECTION

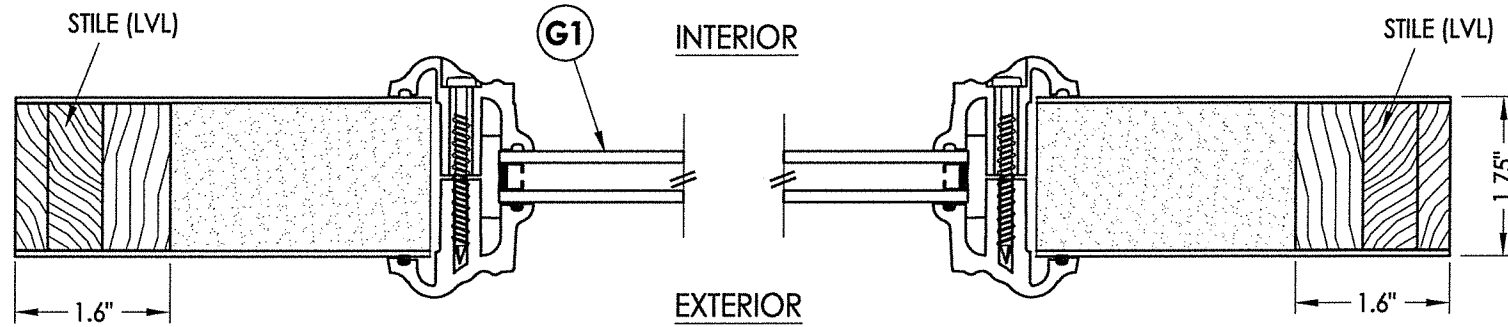


Documents Prepared By: Lyndon F. Schmidt, P.E.
TEXAS P.E. #104123
RW BUILDING CONSULTANTS, INC.
P.O. Box 230 Valrico FL 33595
Phone No.: 813.659.9197
TEXAS BOARD OF PROFESSIONAL ENGINEERS
CERTIFICATE OF REGISTRATION # F-11852

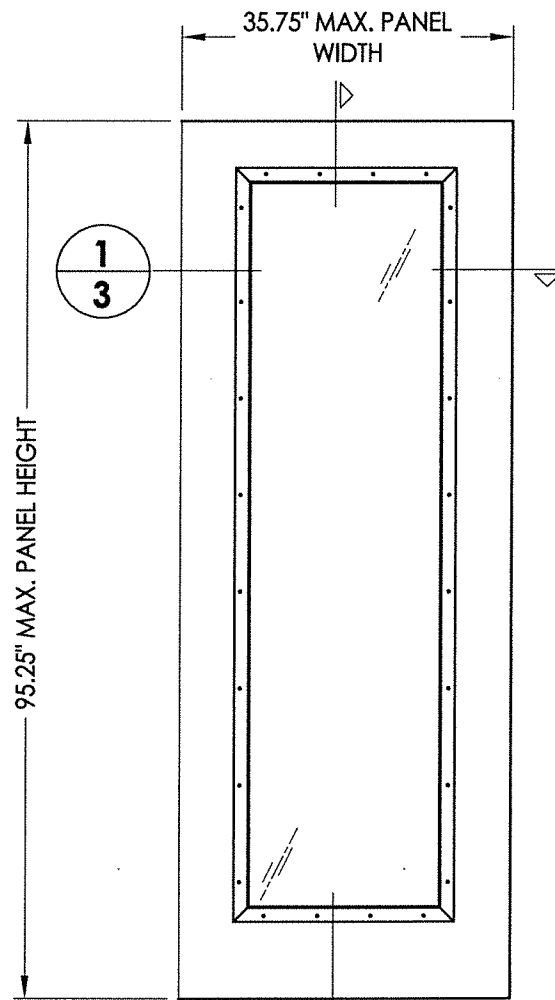
PRODUCT: ENDURA
PART OR ASSEMBLY: DOOR PANEL DETAILS

REVISIONS		
NO.	DATE	BY
1	10/23/19	LFS
ADD "FusionFrame" OPTION & UPDATE TO 2018 IBC/IRC CODE		

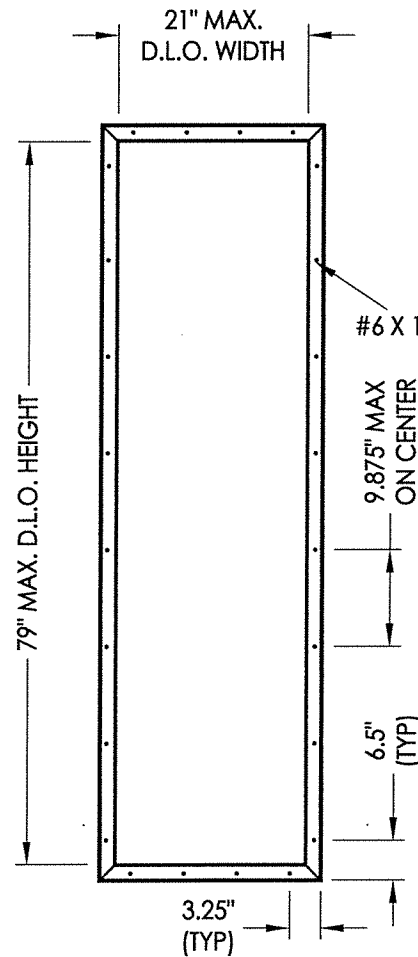
DATE: 11/09/16
SCALE: N.T.S.
DWG. BY: JK
CHK. BY: LFS
DRAWING NO.: TX-4676
SHEET 2 OF 7



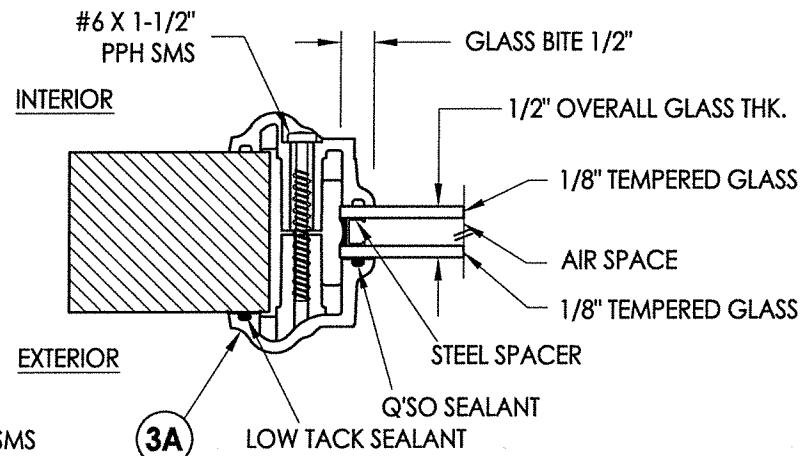
1
3 HORIZONTAL CROSS SECTION



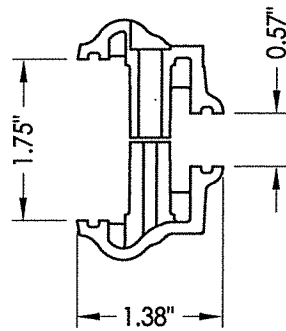
2
3 SIDELITE PANEL
Masonite
Fiberglass



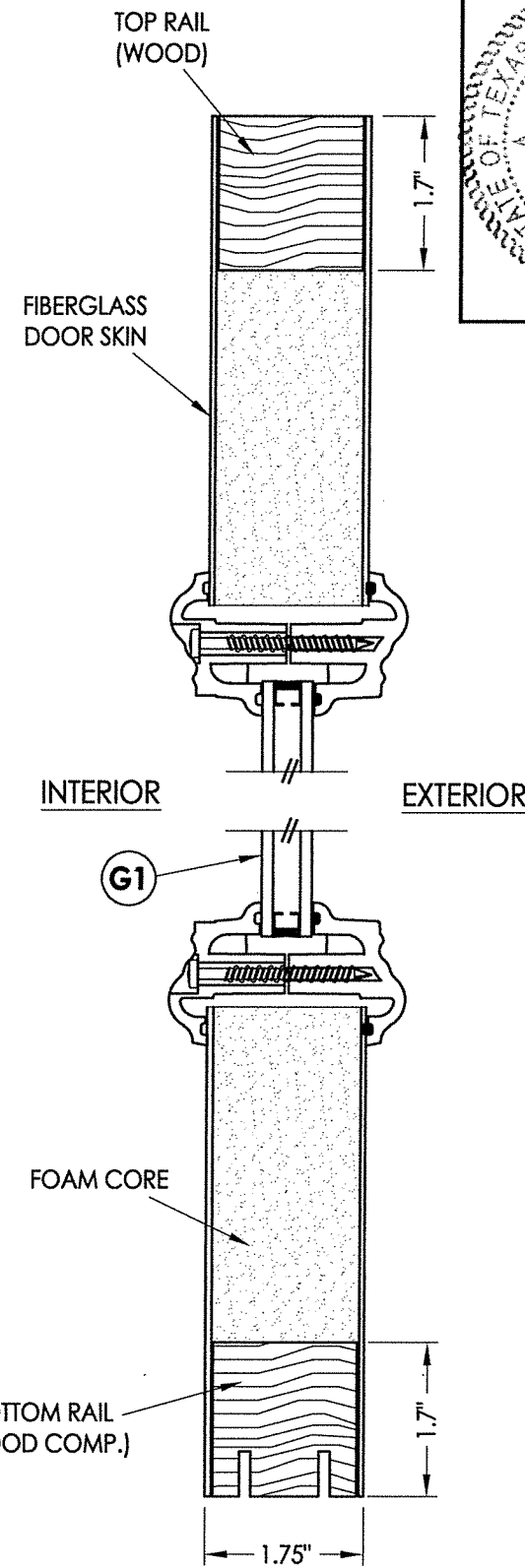
ODL LITE FRAME



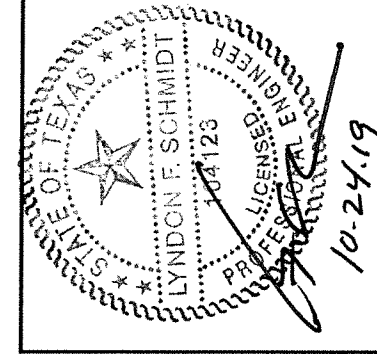
G1 GLAZING DETAIL



3A ODL LITE FRAME
HP Polypropylene



2
3 VERTICAL CROSS SECTION



Documents Prepared By: Lyndon F. Schmidt, P.E.
TEXAS P.E. #104123

RW BUILDING CONSULTANTS, INC.
P.O. Box 230 Valrico FL 33595
Phone No.: 813.659.9197

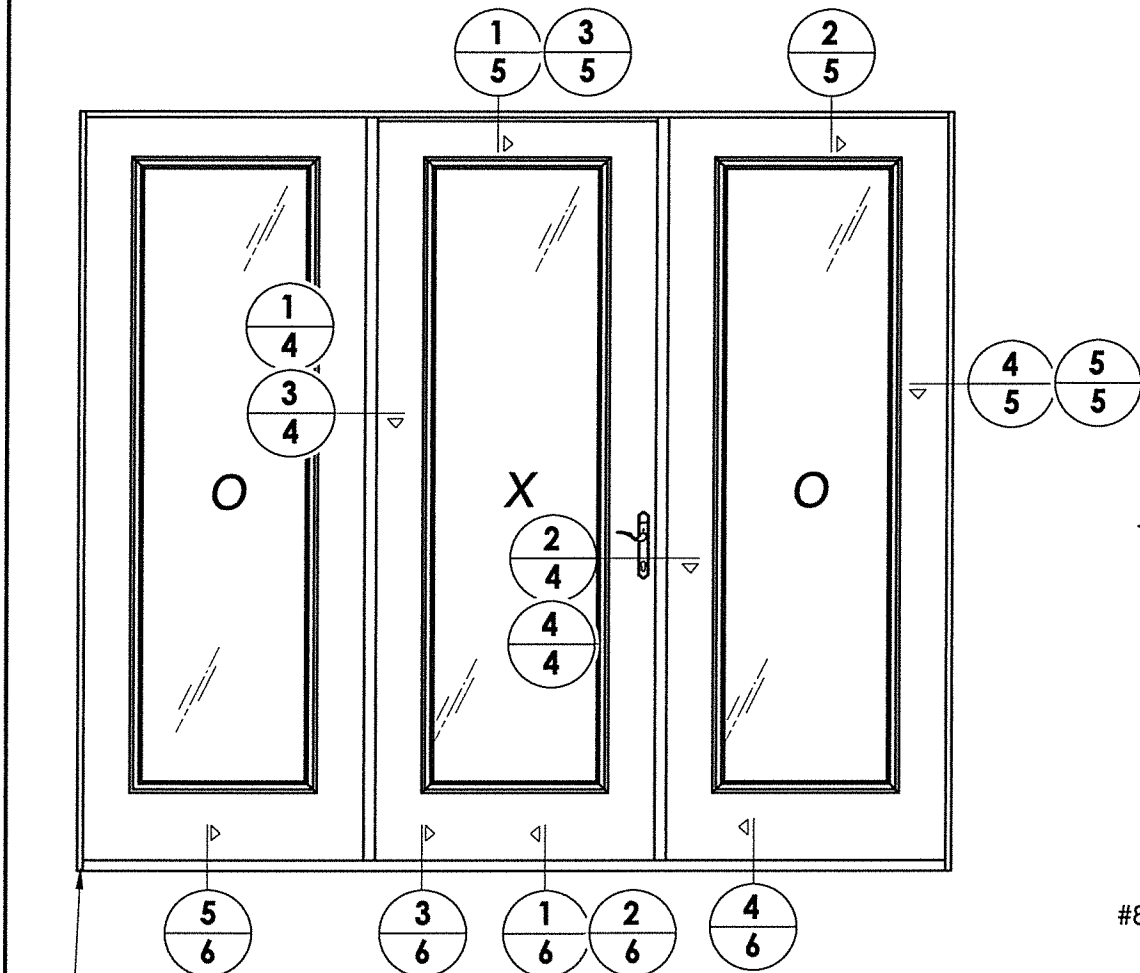
TEXAS BOARD OF PROFESSIONAL ENGINEERS
CERTIFICATE OF REGISTRATION # F-11852

PRODUCT:	ENDURA	
PART OR ASSEMBLY:	SIDELITE PANEL DETAILS (LIP LITE INSERT GLAZING)	
NO.	DATE	BY
1	10/23/19	LFS
ADD "FusionFrame" OPTION & UPDATE TO 2018 IBC/IRC CODE		
REVISIONS		

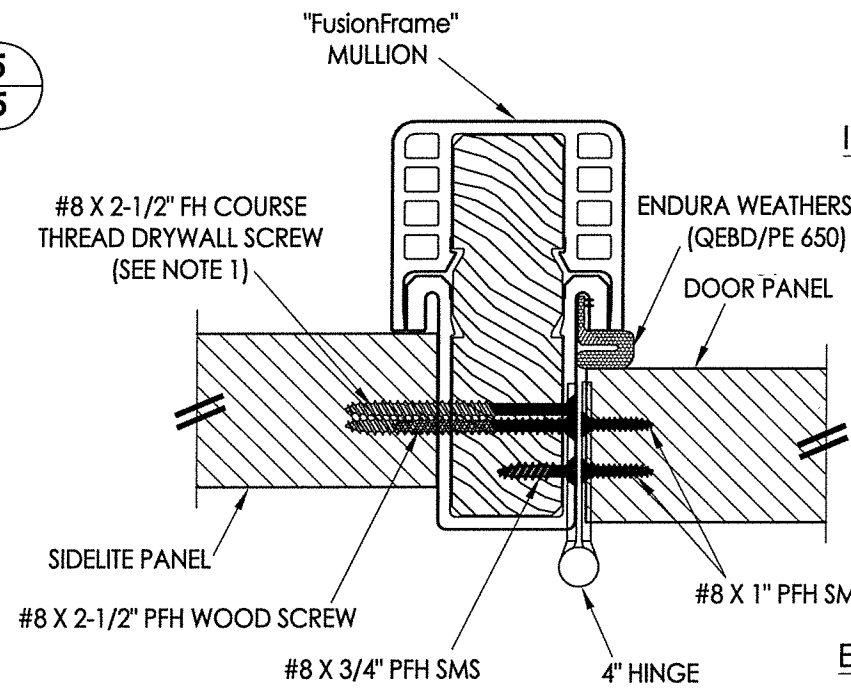
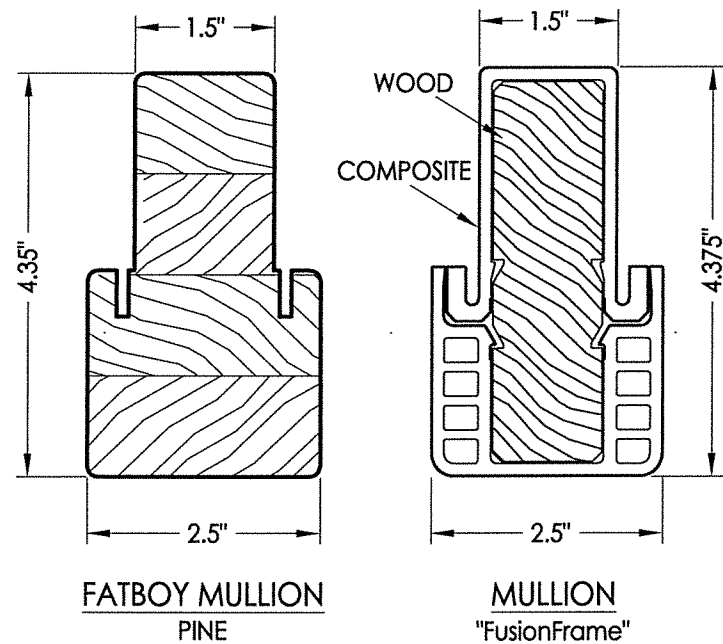
DATE:	11/09/16
SCALE:	N.T.S.
DWG. BY:	JK
CHK. BY:	LFS
DRAWING NO.:	TX-4676
SHEET	3 OF 7

SIDELITE PANEL SKIN: FIBERGLASS (0.075" MIN. THICKNESS)
CORE MATERIAL: POLYURETHANE FOAM (1.9 PCF MIN.)

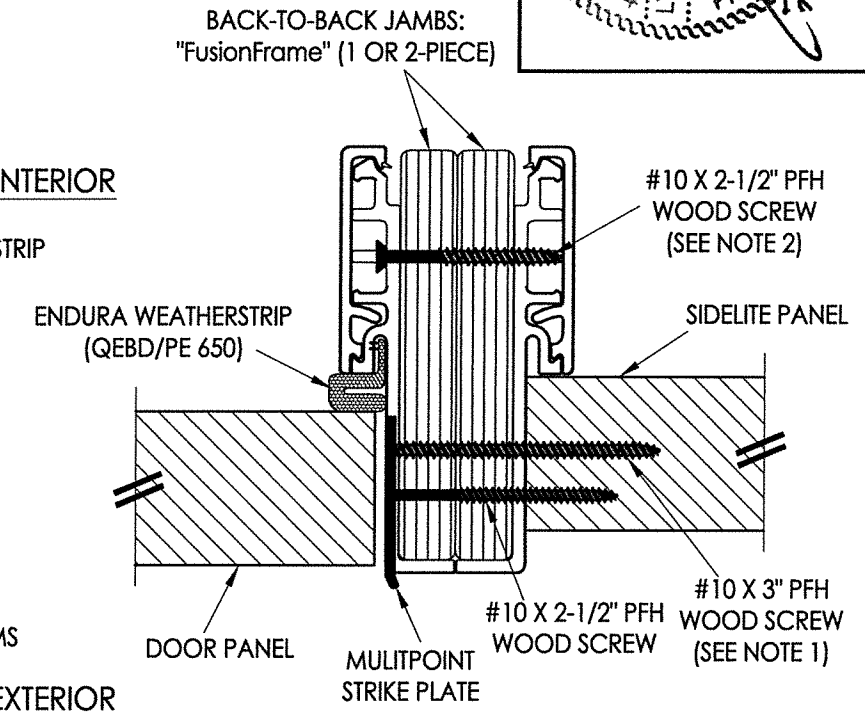
R:\Clients\Endura PERMANENT\B - Texas Dept of Ins\TDI - DR-705 Masonite FG N\IC - Drawings\REV 2018 IBC\TX-4674.76.dwg, 4.4



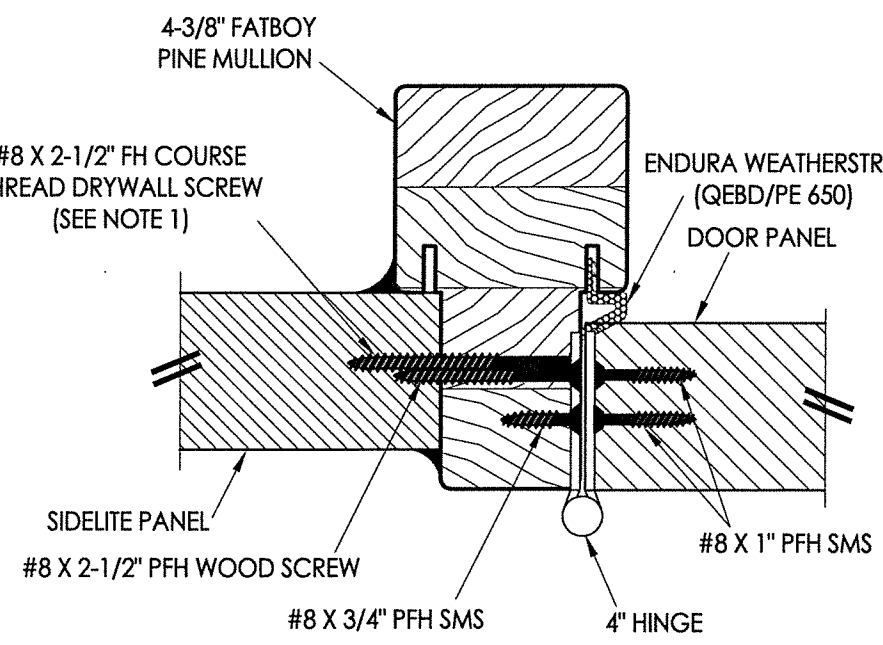
CORNER PADS (TYP.)



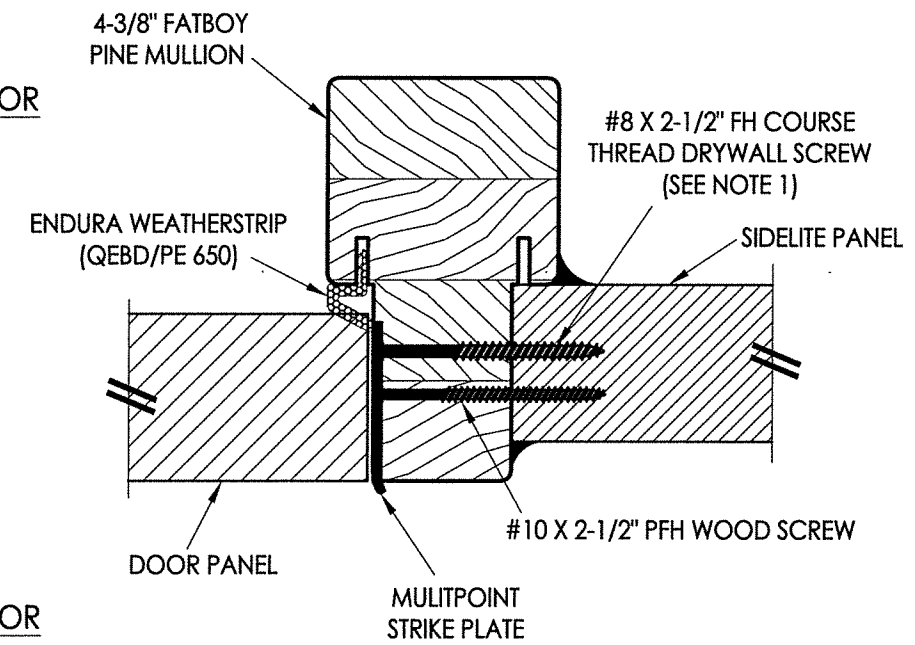
3 HORIZONTAL CROSS SECTION
Outswing shown - Inswing also approved



4 HORIZONTAL CROSS SECTION
Outswing shown - Inswing also approved

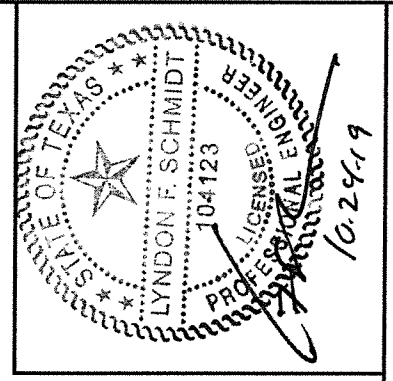


1 HORIZONTAL CROSS SECTION
Outswing shown - Inswing also approved



2 HORIZONTAL CROSS SECTION
Outswing shown - Inswing also approved

NOTES:
1. Spacing for sidelite screws: 6.5", 35.5", 57.25" and 85" from head to sill (4 total).
2. Spacing for mullion screws: 6" from each end plus 3 more equally spaced (5 total).



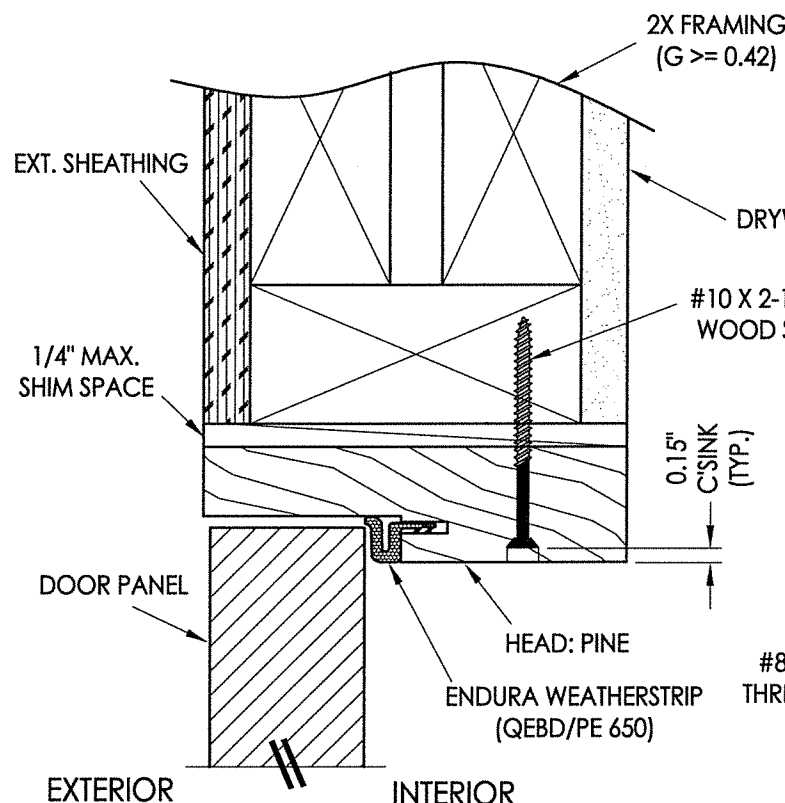
Documents Prepared By: Lyndon F. Schmidt, P.E.
TEXAS P.E. #104123

RW BUILDING CONSULTANTS, INC.
P.O. Box 230 Valrico FL 33595
Phone No.: 813.659.9197
TEXAS BOARD OF PROFESSIONAL ENGINEERS
CERTIFICATE OF REGISTRATION # F-11852

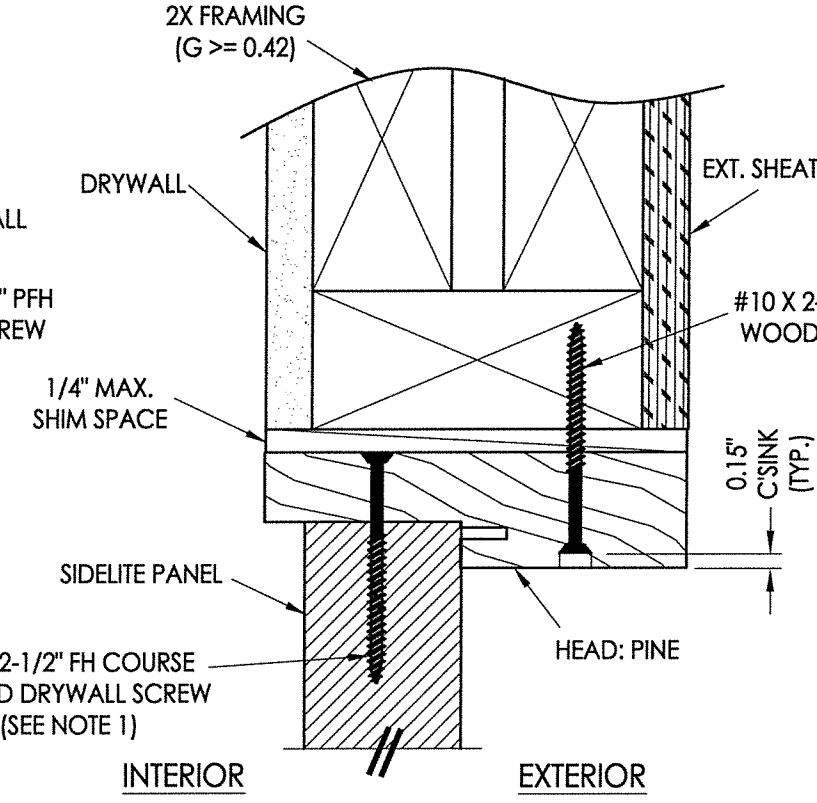
PRODUCT:	ENDURA FIBERGLASS DOOR	
PART OR ASSEMBLY:	HORIZONTAL CROSS SECTIONS	
NO.	DATE	BY
1	10/23/19	LFS
ADD "FusionFrame" OPTION & UPDATE TO 2018 IBC/IRC CODE		
REVISIONS		
DATE:	11/09/16	
SCALE:	N.T.S.	
DWG. BY:	JK	
CHK. BY:	LFS	
DRAWING NO.:	TX-4676	
SHEET	4 OF 7	

© 2016 R.W. BUILDING CONSULTANTS INC.

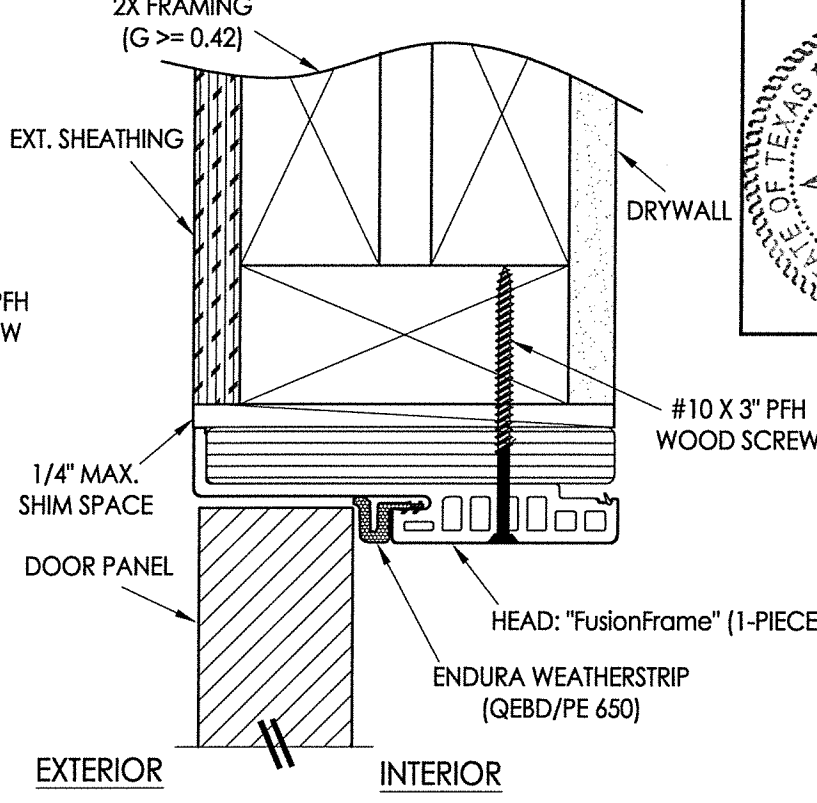
R:\Clients\Endura PERMANENT\B - Texas Dept of Ins\TDI - DR-705 Masonite FG N\1\1 - Drawings\REV 2018 IBC\TX-4674.76.dwg, 5.4



1 VERTICAL CROSS SECTION
5 Outswing shown - inswing also approved

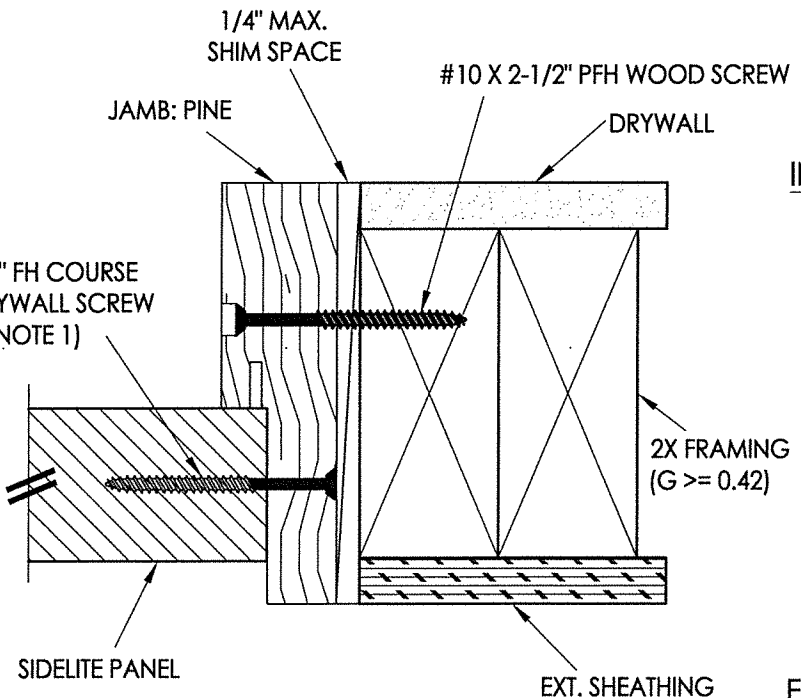
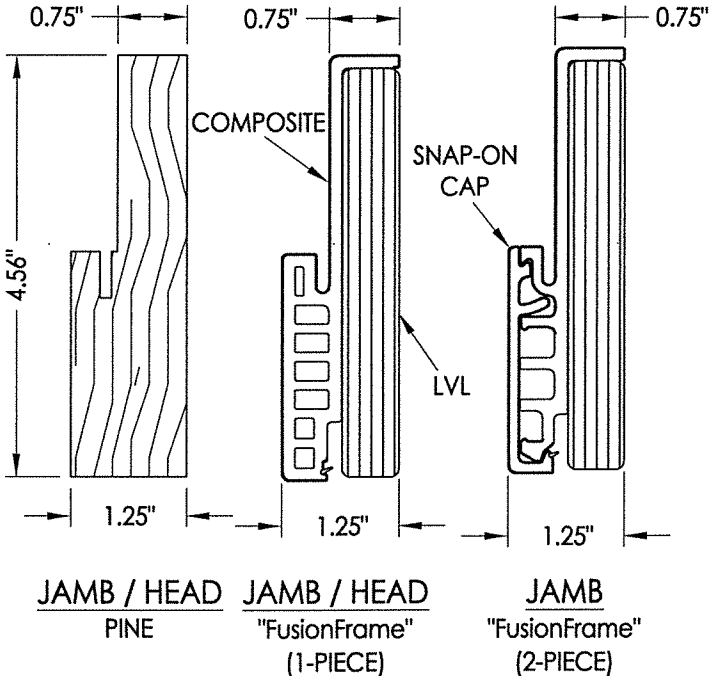


2 VERTICAL CROSS SECTION
5 Inswing shown - Outswing also approved

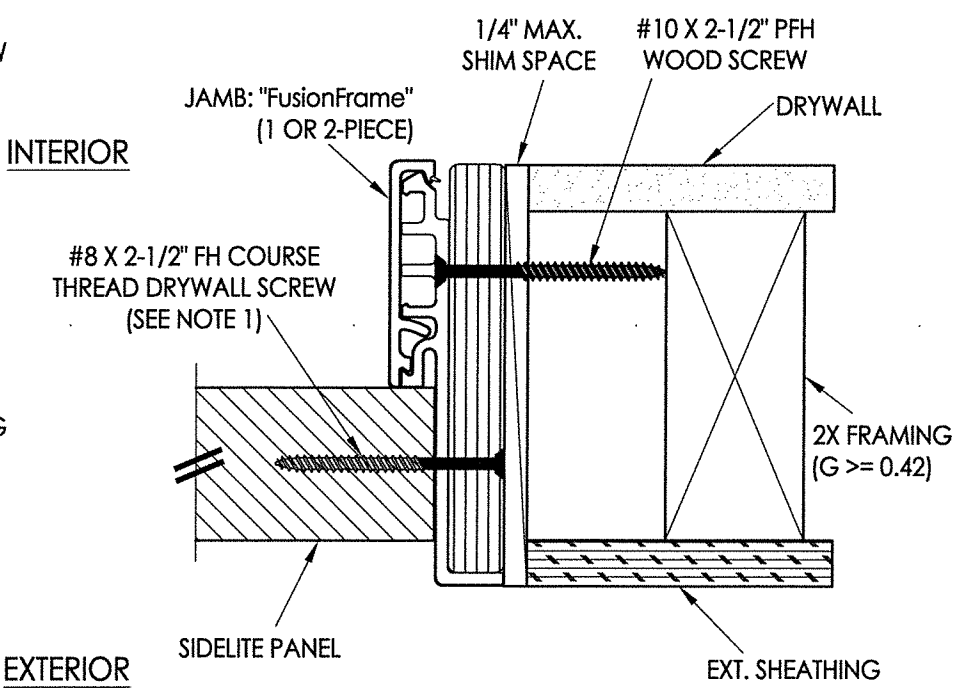


3 VERTICAL CROSS SECTION
5 Outswing shown - inswing also approved

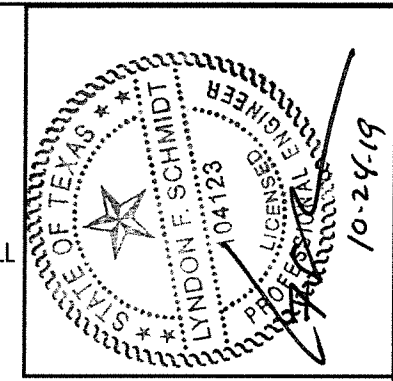
NOTE:
 1. Spacing for sidelite screws: 6" from each end (2 total).



4 HORIZONTAL CROSS SECTION
5 Outswing shown - Inswing also approved



5 HORIZONTAL CROSS SECTION
5 Outswing shown - Inswing also approved



Documents Prepared By: Lyndon F. Schmidt, P.E.
 TEXAS P.E. #104123

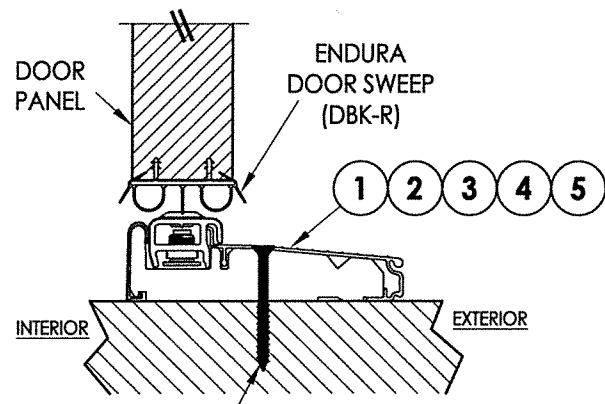
RW BUILDING CONSULTANTS, INC.
 P.O. Box 230 Valrico FL, 33595
 Phone No.: 813.689.9197

TEXAS BOARD OF PROFESSIONAL ENGINEERS
 CERTIFICATE OF REGISTRATION # F-11852

PRODUCT:	ENDURA	
PART OR ASSEMBLY:	VERTICAL CROSS SECTIONS	
NO.	DATE	BY
1	10/23/19	LFS
ADD "FusionFrame" OPTION & UPDATE TO 2018 IBC/IRC CODE		
REVISIONS		
DATE:	11/09/16	
SCALE:	N.T.S.	
DWG. BY:	JK	
CHK. BY:	LFS	
DRAWING NO.:	TX-4676	
SHEET	5	OF 7

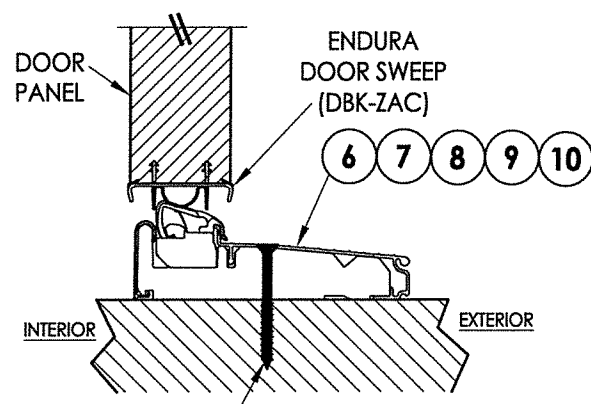
© 2016 R.W. BUILDING CONSULTANTS INC.

R:\Clients\Endura PERMANENT\B - Texas Dept of Ins\TDI - DR-705 Masonite FG N/C - Drawings\REV 2018 IBC\TX-4674.76.dwg, 6.4



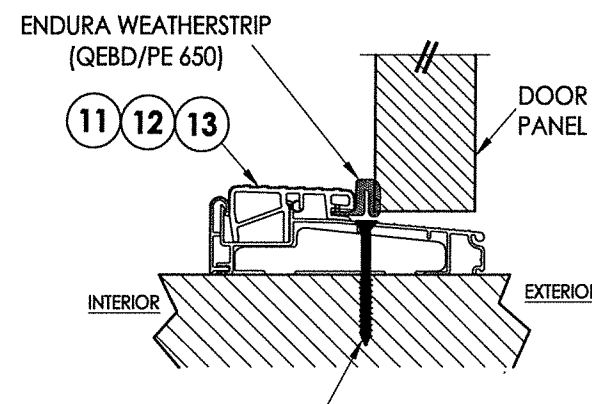
#10 X 2.5" PFH WOOD SCREW OR
1/4" X 2-3/4" ELCO OR ITW CONCRETE SCREW

1 VERTICAL CROSS SECTION
6 Inswing Adjustable Threshold



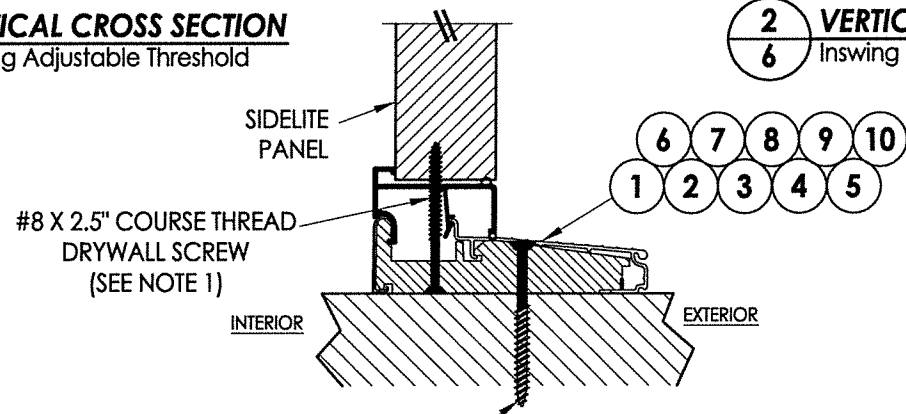
#10 X 2.5" PFH WOOD SCREW OR
1/4" X 2-3/4" ELCO OR ITW CONCRETE SCREW

2 VERTICAL CROSS SECTION
6 Inswing Articulating Threshold



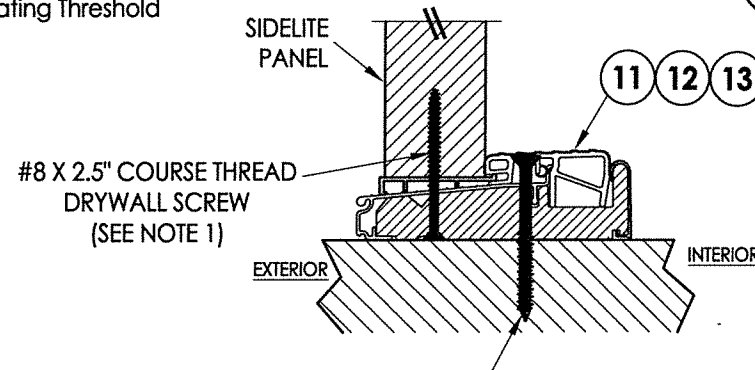
#10 X 2.5" PFH WOOD SCREW OR
1/4" X 2-3/4" ELCO OR ITW CONCRETE SCREW

3 VERTICAL CROSS SECTION
6 Outswing Bump Threshold



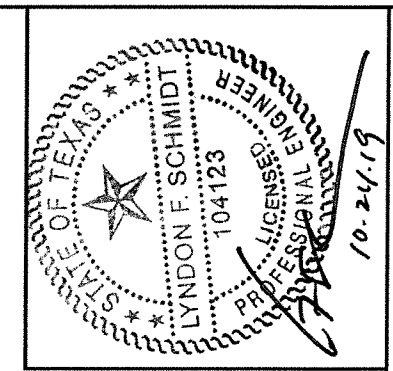
#10 X 2.5" PFH WOOD SCREW OR
1/4" X 2-3/4" ELCO OR ITW CONCRETE SCREW

4 VERTICAL CROSS SECTION
6 Inswing configuration



#10 X 2.5" PFH WOOD SCREW OR
1/4" X 2-3/4" ELCO OR ITW CONCRETE SCREW

5 VERTICAL CROSS SECTION
6 Outswing configuration

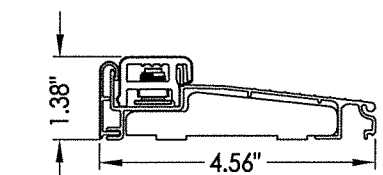


NOTE:
1. Spacing for sidelite screws:
6" from each end (2 total).

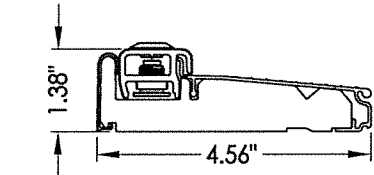
Documents Prepared By: Lyndon F. Schmidt, P.E.
TEXAS P.E. #104123

RW BUILDING CONSULTANTS, INC.
P.O. Box 230 Varico FL 33595
Phone No.: 813.659.9197
TEXAS BOARD OF PROFESSIONAL ENGINEERS
CERTIFICATE OF REGISTRATION # F-11852

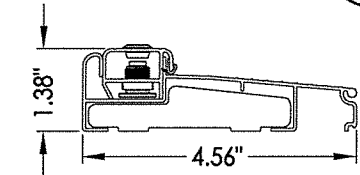
PRODUCT:	ENDURA
	FIBERGLASS DOOR
PART OR ASSEMBLY:	VERTICAL CROSS SECTIONS



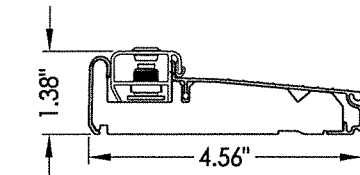
1 INSWING ADJUSTABLE THRESHOLD
ZAIL4565



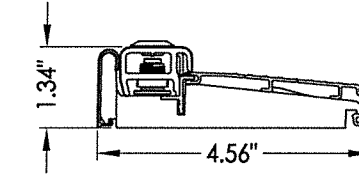
2 INSWING ADJUSTABLE THRESHOLD
ZAI4565FN



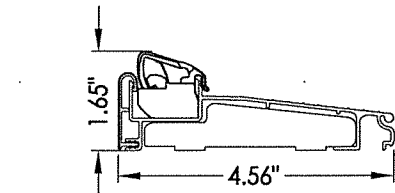
3 INSWING ADJUSTABLE THRESHOLD
ZAILAA4565



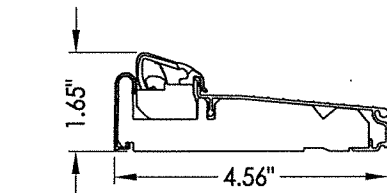
4 INSWING ADJUSTABLE THRESHOLD
ZAIAA4565FN



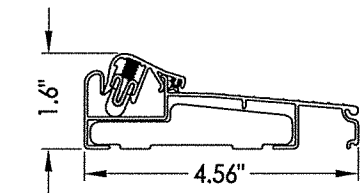
5 INSWING ADJUSTABLE THRESHOLD
ZAI4565RDS



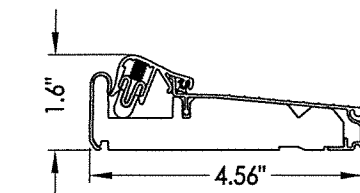
6 INSWING ARTICULATING THRESHOLD
ZACL4565



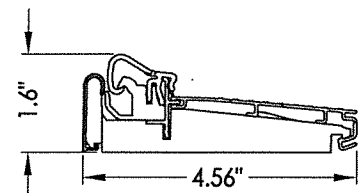
7 INSWING ARTICULATING THRESHOLD
ZAC4565FN



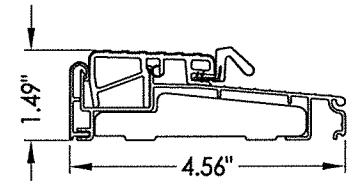
8 INSWING ARTICULATING THRESHOLD
ZACLAA4565



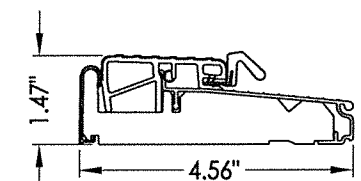
9 INSWING ARTICULATING THRESHOLD
ZACAA4565FN



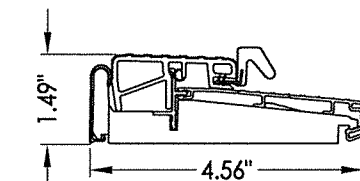
10 INSWING ARTICULATING THRESHOLD
ZAC4565RDS



11 OUTSWING THRESHOLD
ZOBL4565



12 OUTSWING THRESHOLD
ZOB4565FN

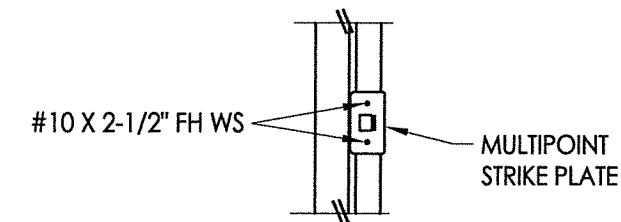
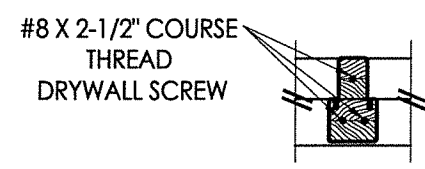
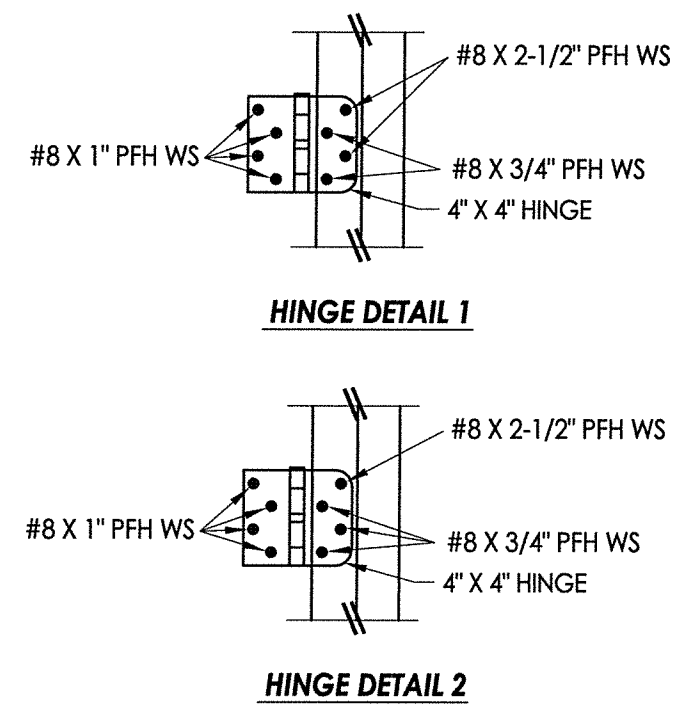
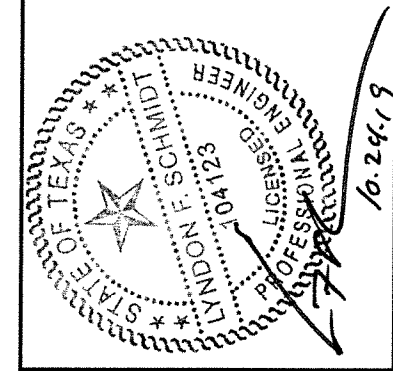
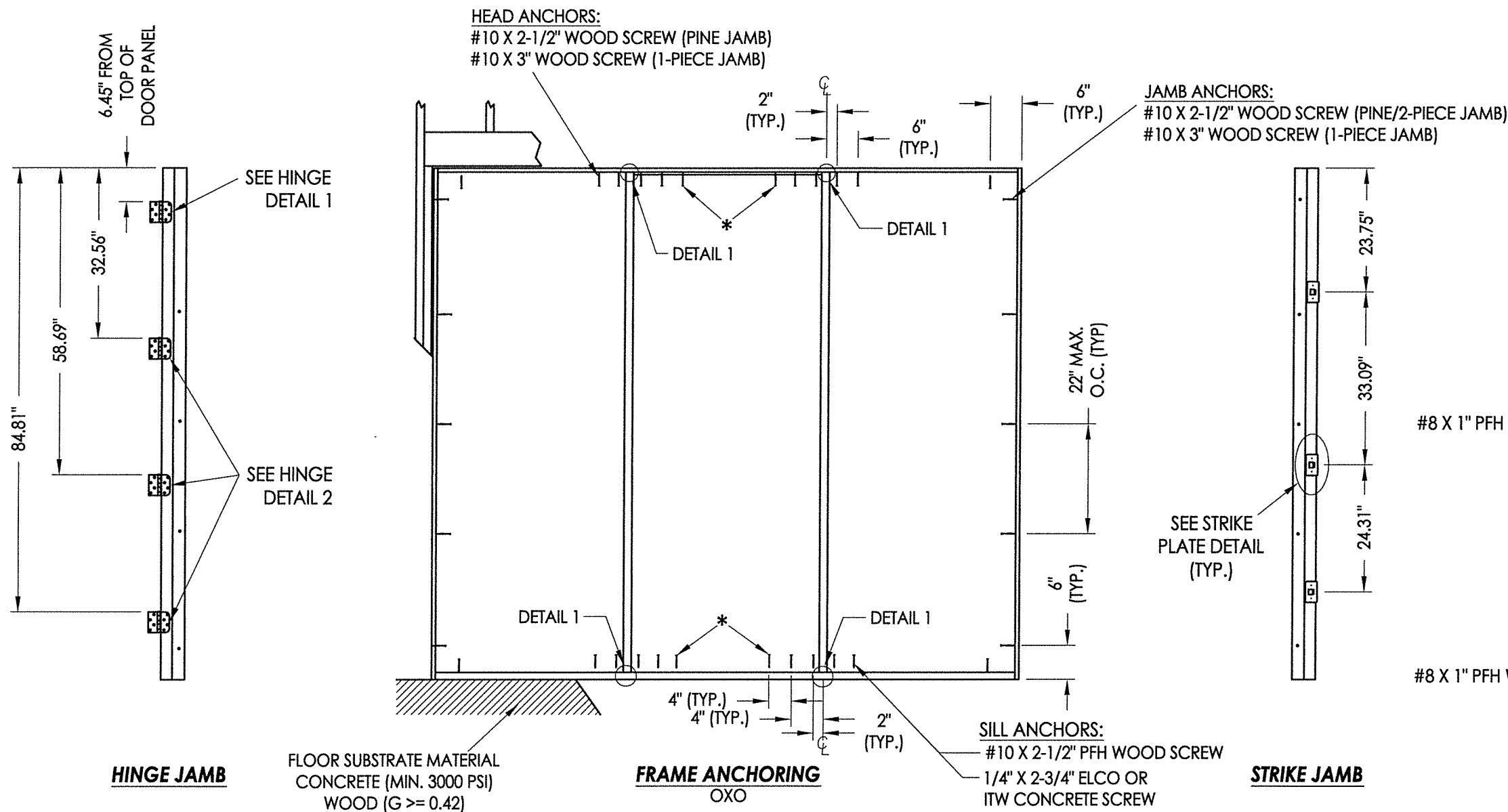


13 OUTSWING THRESHOLD
ZOB4565RDS

REVISIONS	
NO.	DATE
1	10/23/19 ADD "FusionFrame" OPTION & UPDATE TO 2018 IBC/IRC CODE

DATE:	11/09/16
SCALE:	N.T.S.
DWG. BY:	JK
CHK. BY:	LFS
DRAWING NO.:	TX-4676
SHEET	6 OF 7

© 2016 R.W. BUILDING CONSULTANTS INC.



JAMB NOTES:
 THE PINE OR "FusionFrame" 1-PIECE JAMB MAY BE INSTALLED @ THE HEAD OR SIDE JAMB.
 THE FusionFrame" 2-PIECE JAMB MAY BE INSTALLED @ THE SIDE JAMBS ONLY.

INTEGRAL MULLION NOTES:
 THE FATBOY PINE MULLION, "FusionFrame" MULLION, OR THE "FusionFrame" BACK-TO-BACK JAMB (1-PIECE OR 2-PIECE) MAY ALL BE USED AS THE INTEGRAL MULLION.

- CONCRETE ANCHOR NOTES:**
1. Concrete anchor locations at the corners may be adjusted to maintain the min. edge distance to mortar joints.
 2. Concrete anchor locations noted as "MAX. ON CENTER" must be adjusted to maintain the min. edge distance to mortar joints, additional concrete anchors may be required to ensure the "MAX. ON CENTER" dimension are not exceeded.
 3. Concrete anchor table:

ANCHOR TYPE	ANCHOR SIZE	MIN. EMBEDMENT	MIN. CLEARANCE TO MASONRY EDGE	MIN. CLEARANCE TO ADJACENT ANCHOR
ITW TAPCON®	1/4"	1-3/4"	1-1/2"	4"
ELCO ULTRACON®	1/4"	1-3/4"	1"	4"

* NOTE: These anchors are required for D.P. > 40 PSF.

Documents Prepared By: Lyndon F. Schmidt, P.E.
 TEXAS P.E. #104123

R.W. BUILDING CONSULTANTS, INC.
 P.O. Box 230 Valrico FL 33595
 Phone No.: 813.659.9197

TEXAS BOARD OF PROFESSIONAL ENGINEERS
 CERTIFICATE OF REGISTRATION # F-11852

10.24.19

PRODUCT:	ENDURA
PART OR ASSEMBLY:	FRAME ANCHORING
DATE:	11/09/16
SCALE:	N.T.S.
DWG. BY:	JK
CHK. BY:	LFS
DRAWING NO.:	TX-4676
SHEET	7 OF 7

REVISIONS

NO.	DATE	BY
1	10/23/19	LFS

ADD "FusionFrame" OPTION & UPDATE TO 2018 IBC/IRC CODE

© 2016 R.W. BUILDING CONSULTANTS INC.