



# Glazed Fiberglass Door

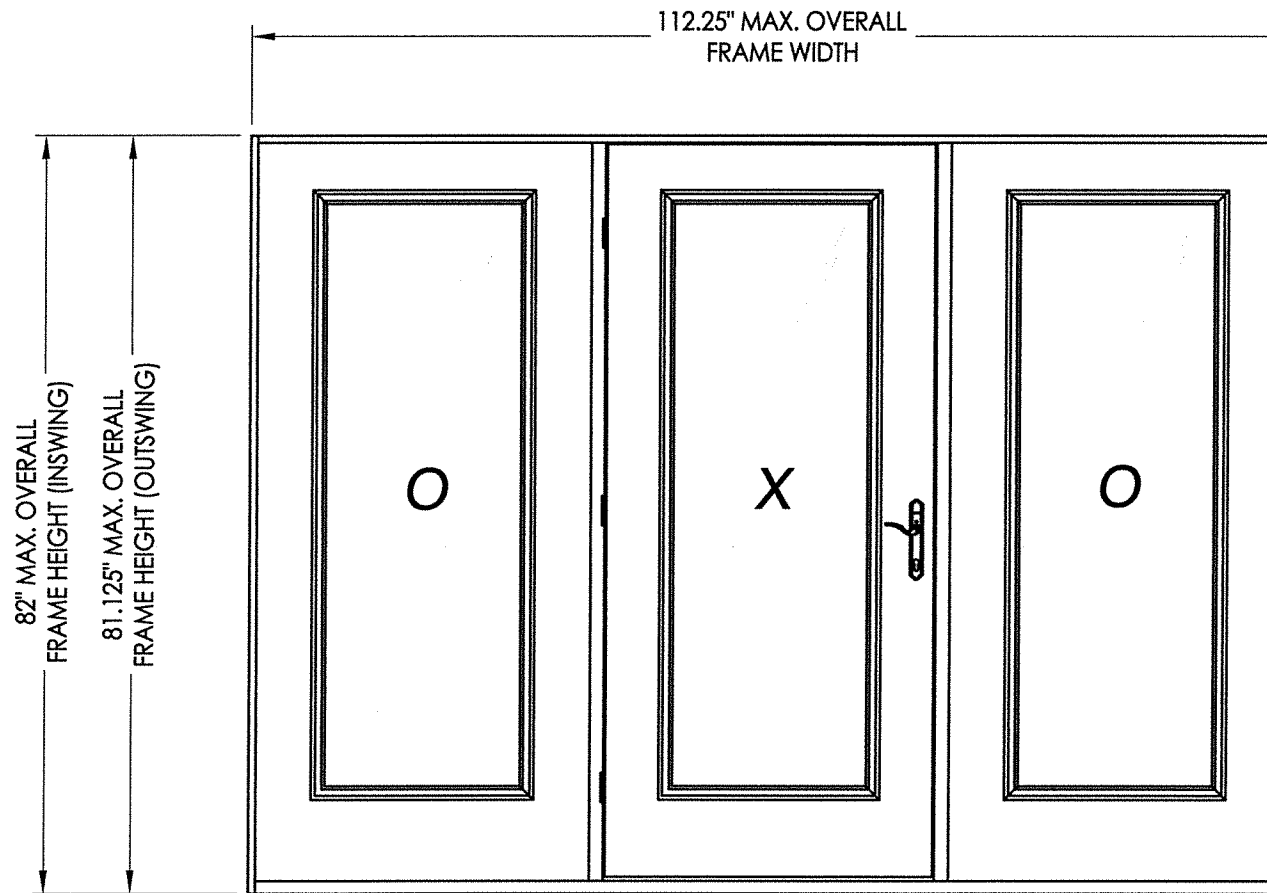
"NON-IMPACT"  
INSWING / OUTSWING

**EVALUATED FOR USE IN THE STATE OF TEXAS**

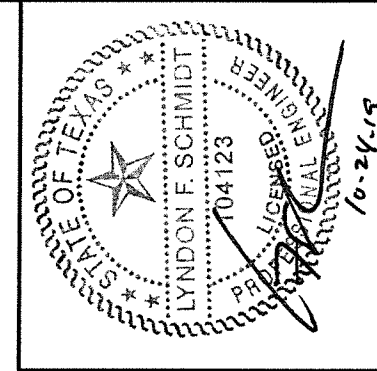
The Glazed Fiberglass Door system described herein complies with the 2018 International Residential Code (IRC), Sections R301 & R609 and the 2018 International Building Code (IBC), Sections 1404.13, 1609, 1709.5, 2403 and 2404 subject to the following conditions:

1. Anchors shall be as listed and spaced as shown in the details. Anchor embedment to base material shall be beyond wall dressing or stucco.
2. When used in areas requiring wind-borne debris protection this product is required to be protected with an impact resistant covering that complies with Section R301.2.1.2 of the IRC and Section 1609.2 of the IBC.
3. Allowable design pressure requirements must be equal to or less than the design pressure rating shown in the design pressure chart, sheet 1 of this drawing.
4. Conditions not covered by this drawing are subject to further engineering analysis.

TABLE OF CONTENTS	
SHEET #	DESCRIPTION
1	Typical elevations, design pressures & general notes
2	Door panel details
3	Slidelite panel details (lip lite insert glazing)
4	Horizontal cross sections
5	Vertical cross sections
6	Vertical cross sections
7	Frame anchoring



CONFIG.	FRAME TYPE	MODEL	DESIGN PRESSURE (PSF) ULTIMATE HURRICANE ASTRAGAL	
			POSITIVE	NEGATIVE
OXO	PINE	INSWING	+60.0	-60.0
OXO		OUTSWING	+50.0	-50.0
OXO	"FusionFrame"	INSWING	+50.0	-50.0
OXO		OUTSWING	+50.0	-50.0



Documents Prepared By: Lyndon F. Schmidt, P.E.  
TEXAS P.E. #104123

**RW** BUILDING CONSULTANTS, INC.  
P.O. Box 230 Valrico FL 33595  
Phone No.: 813.659.9197

TEXAS BOARD OF PROFESSIONAL ENGINEERS  
CERTIFICATE OF REGISTRATION # F-11852

PRODUCT: ENDURA

PART OR ASSEMBLY: TYPICAL ELEVATION, DESIGN PRESSURES & GENERAL NOTES

NO.	DATE	REVISIONS
1	10/23/19	ADD "FusionFrame" OPTION & UPDATE TO 2018 IBC/IRC CODE

DATE: 11/09/16

SCALE: N.T.S.

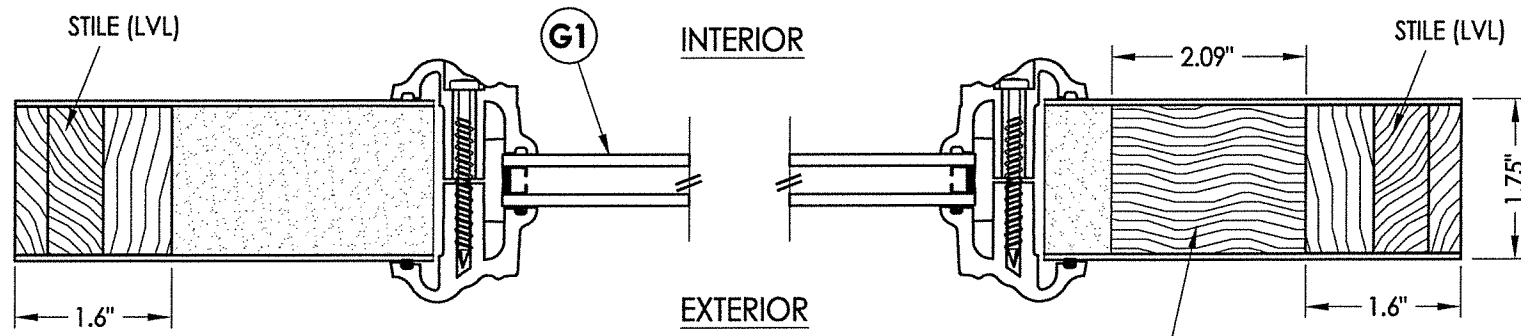
DWG. BY: JK

CHK. BY: LFS

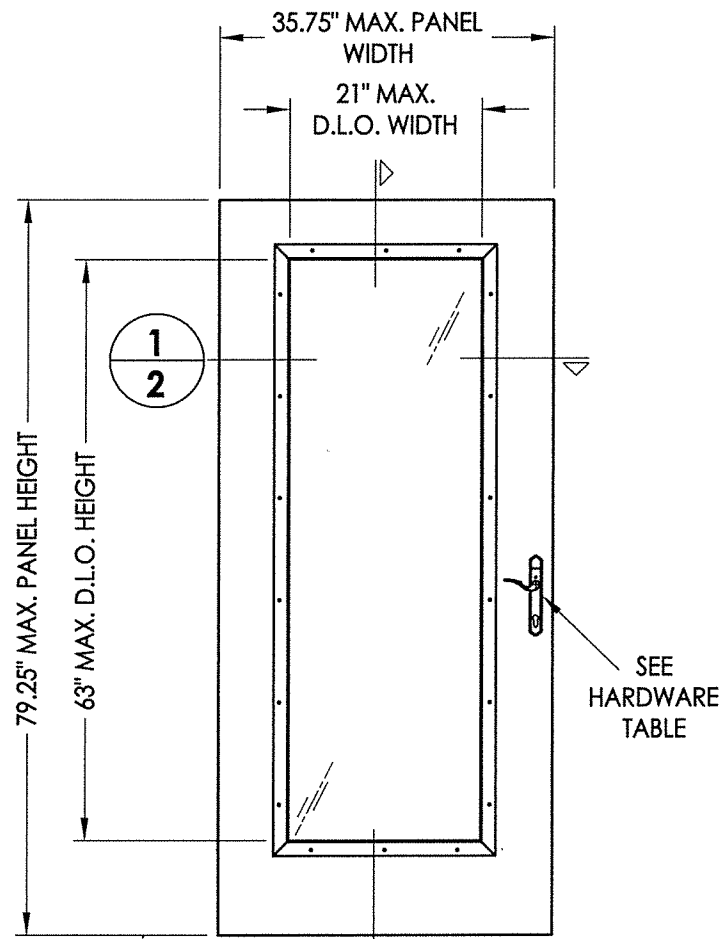
DRAWING NO.: TX-4674

SHEET 1 OF 7

R:\Clients\Endura PERMANENT\B - Texas Dept of Ins\TDI - DR-705 Masonite FG N\IC - Drawings\REV 2018 IBC\TX-4674.76.dwg, 2.3

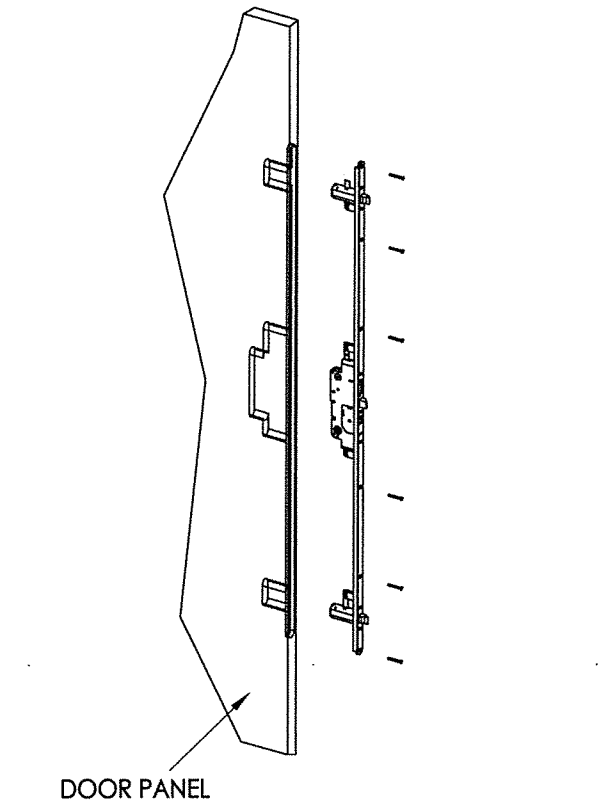


**1**  
**2** HORIZONTAL CROSS SECTION



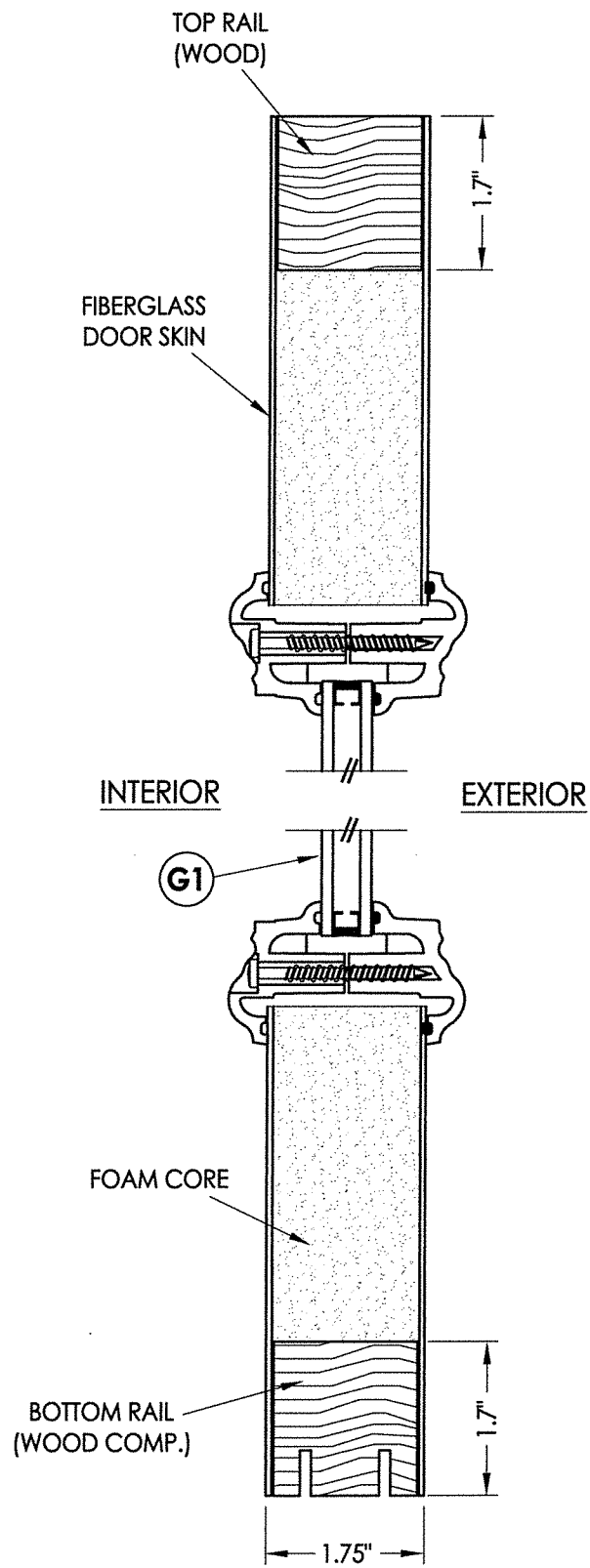
**2**  
**2**

**DOOR PANEL**  
Masonite  
Fiberglass

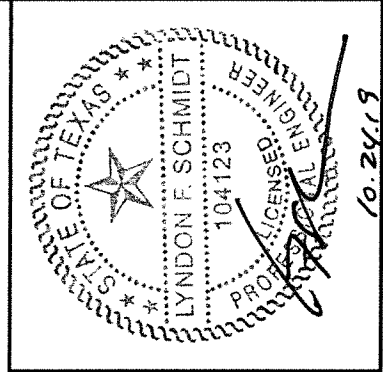


HARDWARE TABLE	
MANUFACTURER	MODEL
Endura	Trilennium® 3000 Series Multipoint lock (3pt.)

DOOR PANEL SKIN: FIBERGLASS (0.075" MIN. THICKNESS)  
CORE MATERIAL: POLYURETHANE FOAM (1.9 PCF MIN.)



**2**  
**2** VERTICAL CROSS SECTION



Documents Prepared By: Lyndon F. Schmidt, P.E.  
TEXAS P.E. #104123

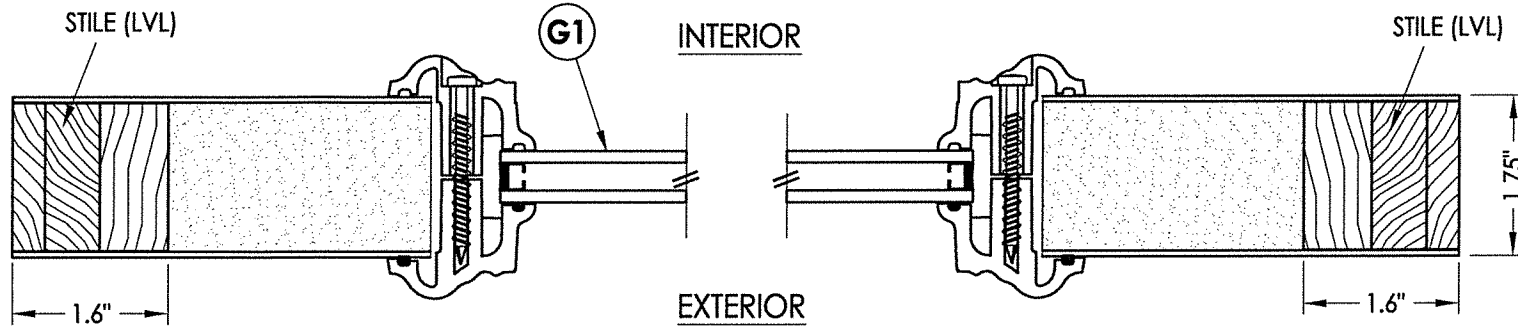
**RW** BUILDING CONSULTANTS, INC.  
P.O. Box 230 Vairico FL 33595  
Phone No.: 813.659.9197  
TEXAS BOARD OF PROFESSIONAL ENGINEERS  
CERTIFICATE OF REGISTRATION # F-11852

PRODUCT: ENDURA  
PART OR ASSEMBLY: DOOR PANEL DETAILS & GLAZING DETAIL

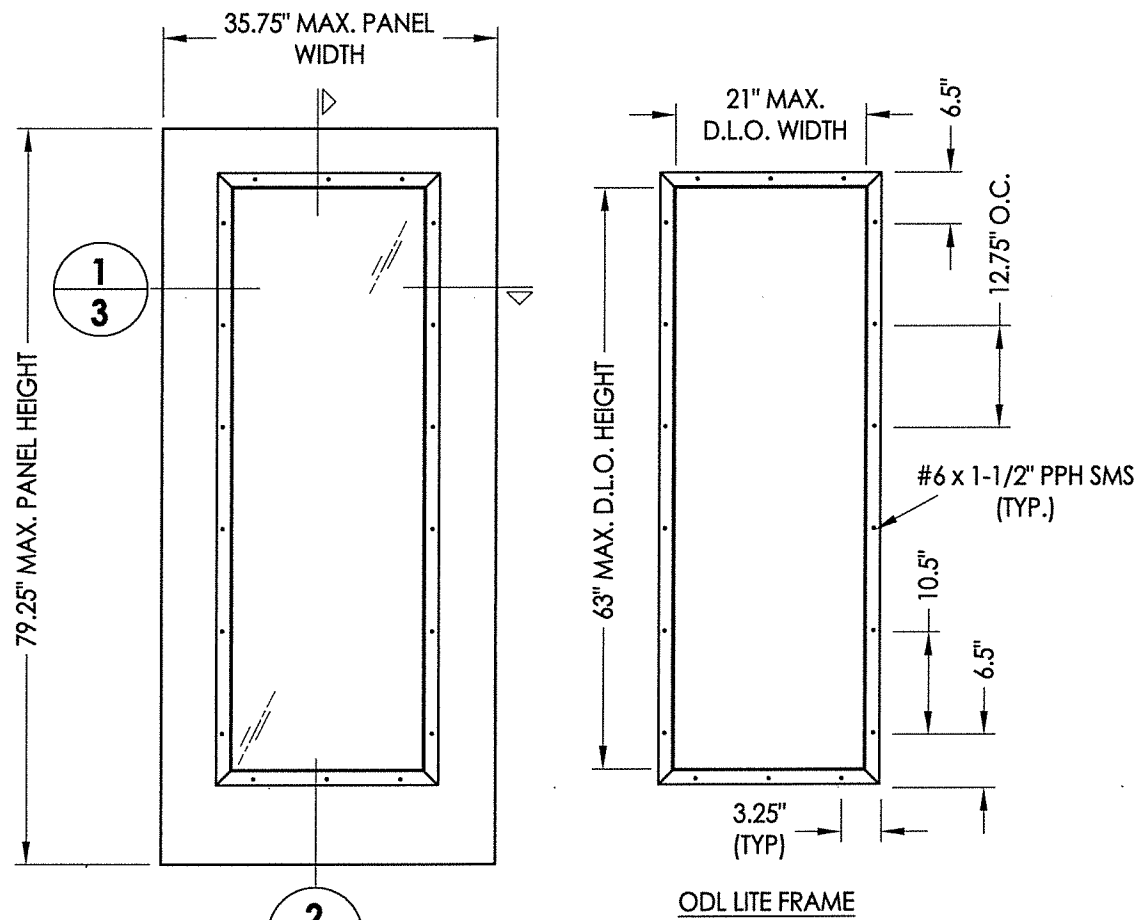
NO.	DATE	BY	REVISIONS
1	10/23/19	LFS	ADD "FusionFrame" OPTION & UPDATE TO 2018 IBC/IRC CODE

DATE: 11/09/16  
SCALE: N.T.S.  
DWG. BY: JK  
CHK. BY: LFS  
DRAWING NO.: TX-4674  
SHEET 2 OF 7

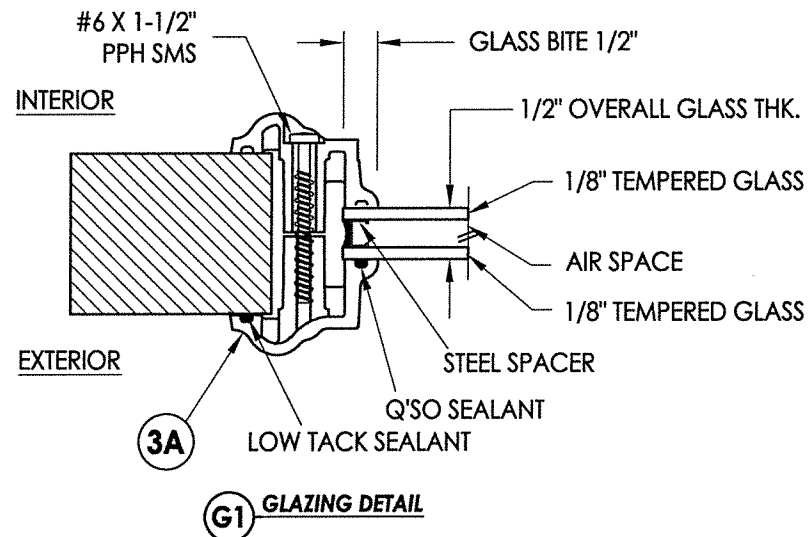
R:\Clients\Endura PERMANENT\B - Texas Dept of Ins\TDI - DR-705 Masonite FG N\IC - Drawings\REV 2018 IBC\TX-4674.76.dwg, 3.3



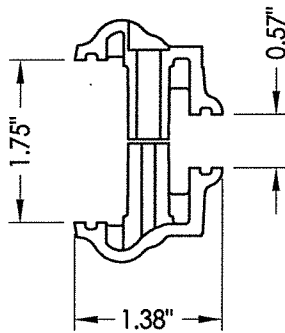
**1**  
**3** **HORIZONTAL CROSS SECTION**



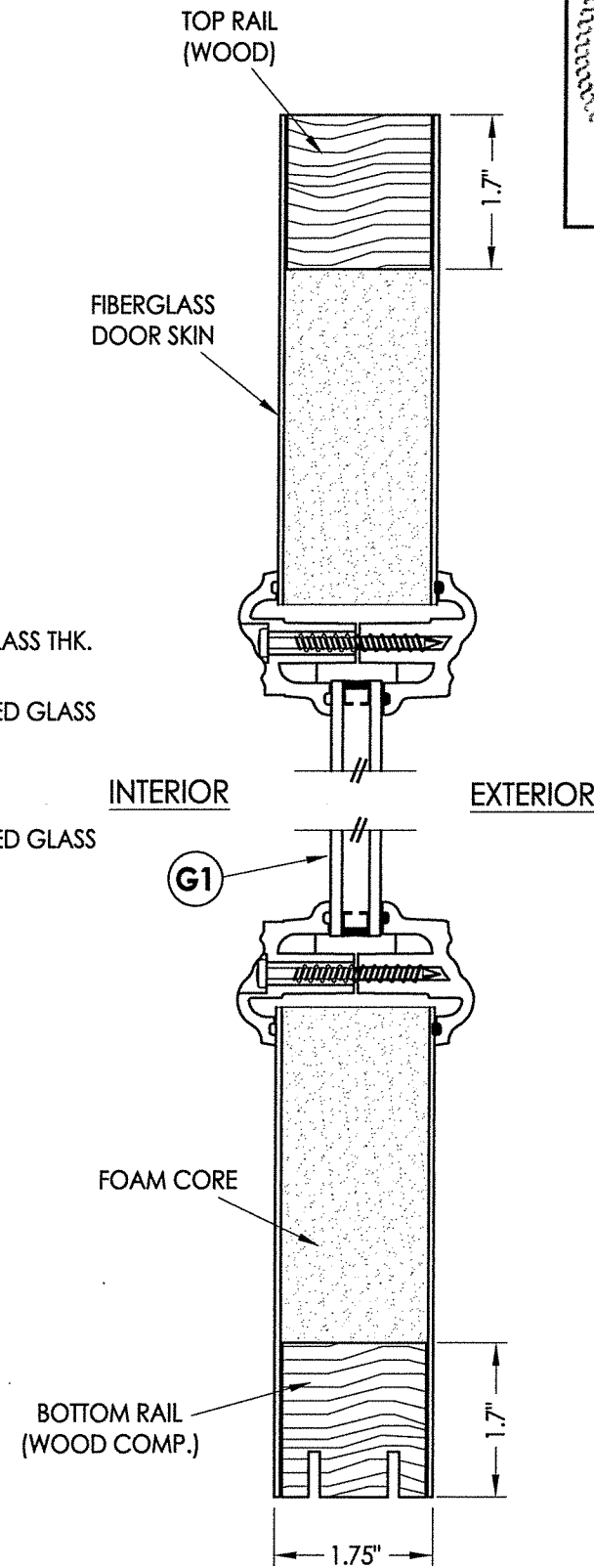
**2**  
**3** **SIDELITE PANEL**  
Masonite  
Fiberglass



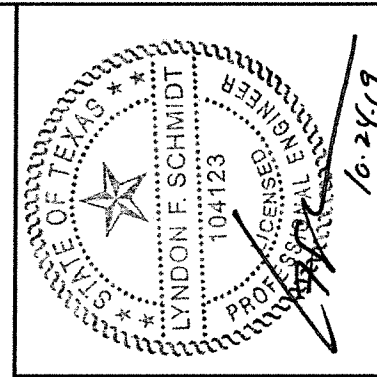
**G1** **GLAZING DETAIL**



**3A** **ODL LITE FRAME**  
HP Polypropylene



**2**  
**3** **VERTICAL CROSS SECTION**



Documents Prepared By: Lyndon F. Schmidt, P.E.  
TEXAS P.E. #104123

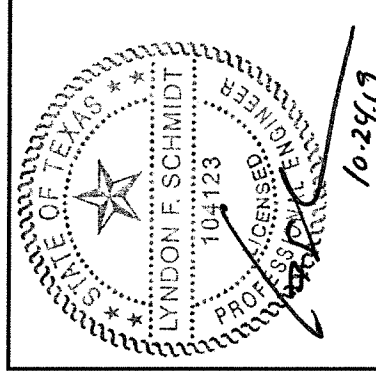
**RW** BUILDING CONSULTANTS, INC.  
P.O. Box 230 Valrico FL 33595  
Phone No.: 813.659.9197  
TEXAS BOARD OF PROFESSIONAL ENGINEERS  
CERTIFICATE OF REGISTRATION # F-11852

PRODUCT: ENDURA  
PART OR ASSEMBLY: SIDELITE PANEL DETAILS (LIP LITE INSERT GLAZING)

NO.	DATE	BY	REVISIONS
1	10/23/19	LFS	ADD "FusionFrame" OPTION & UPDATE TO 2018 IBC/IRC CODE

DATE: 11/09/16  
SCALE: N.T.S.  
DWG. BY: JK  
CHK. BY: LFS  
DRAWING NO.: TX-4674  
SHEET 3 OF 7

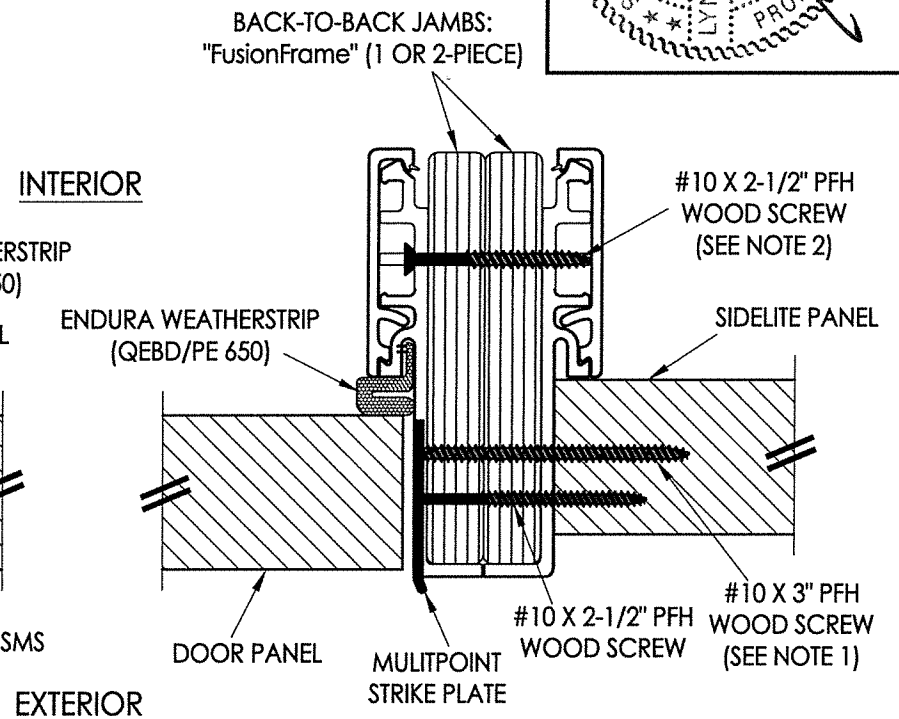
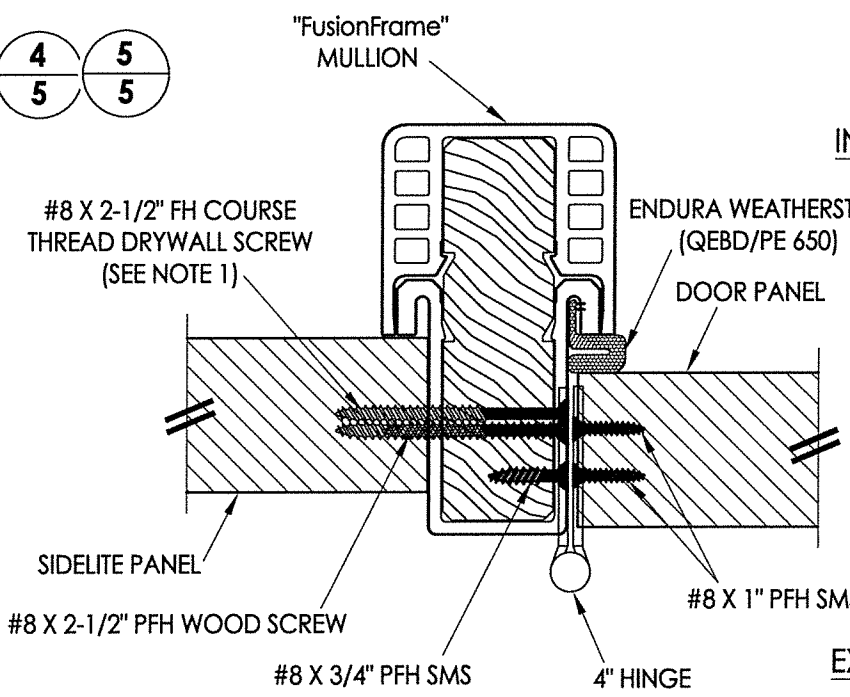
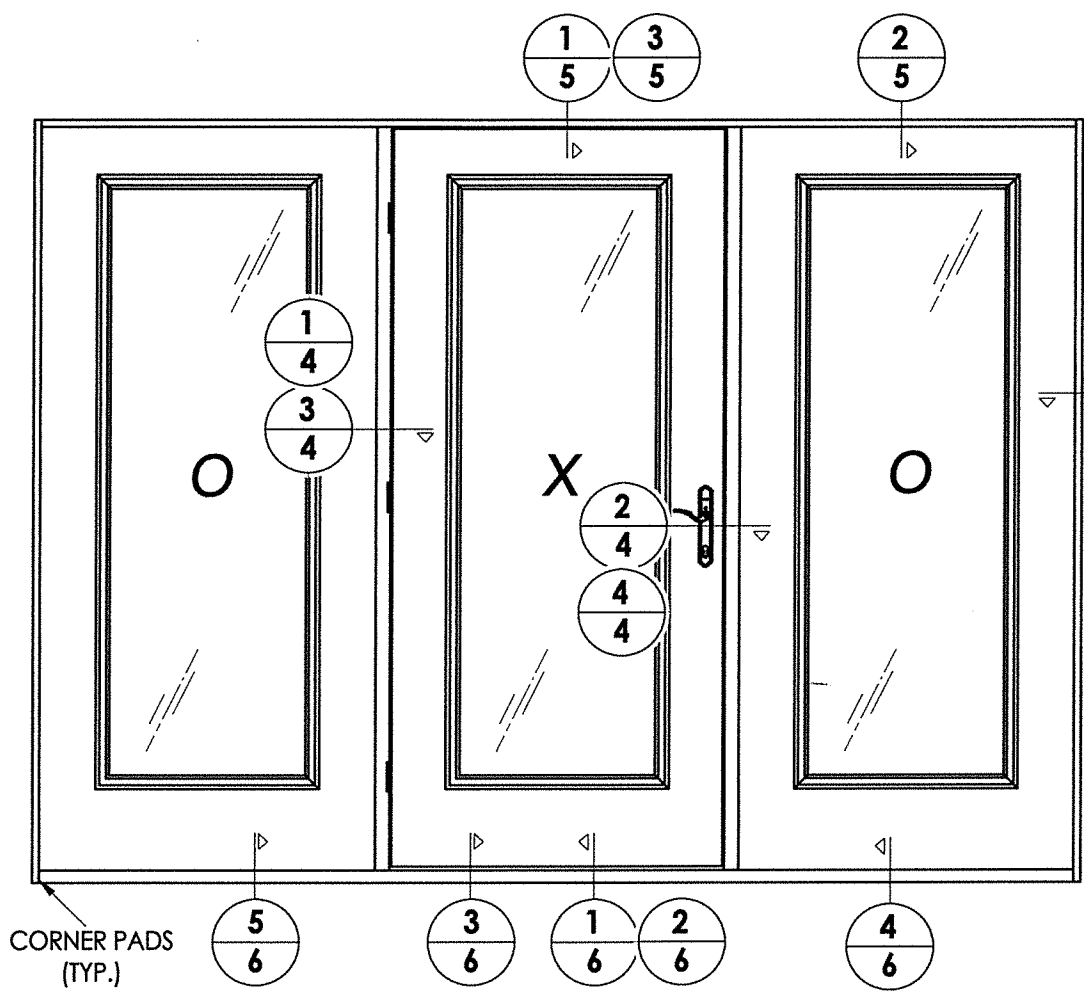
R:\Clients\Endura PERMANENT\B - Texas Dept of Ins\TDI - DR-705 Masonite FG N/C - Drawings\REV 2018 IBC\TX-4674.76.dwg, 4.3



Documents Prepared By: Lyndon F. Schmidt, P.E.  
TEXAS P.E. #104123

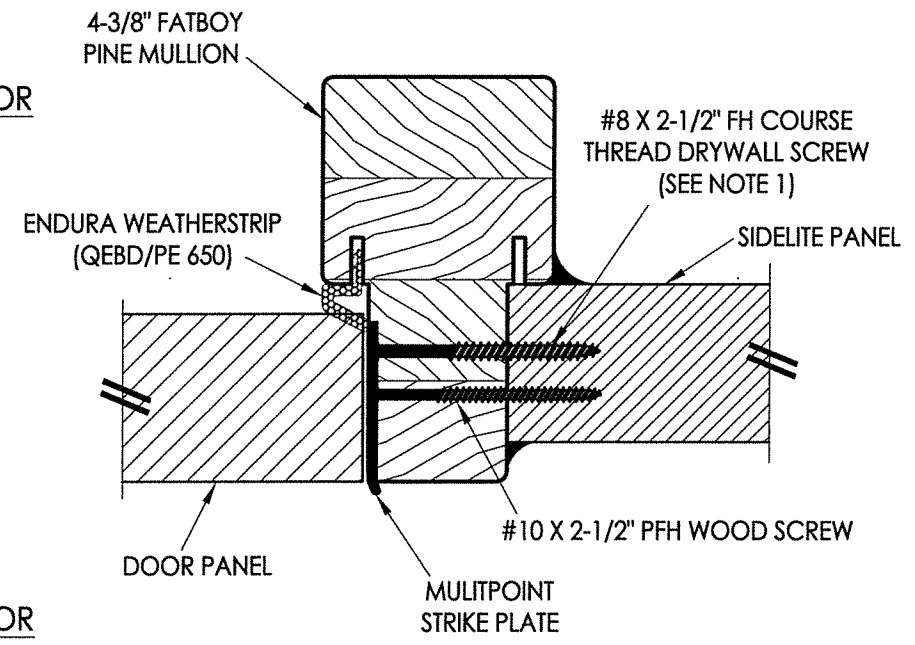
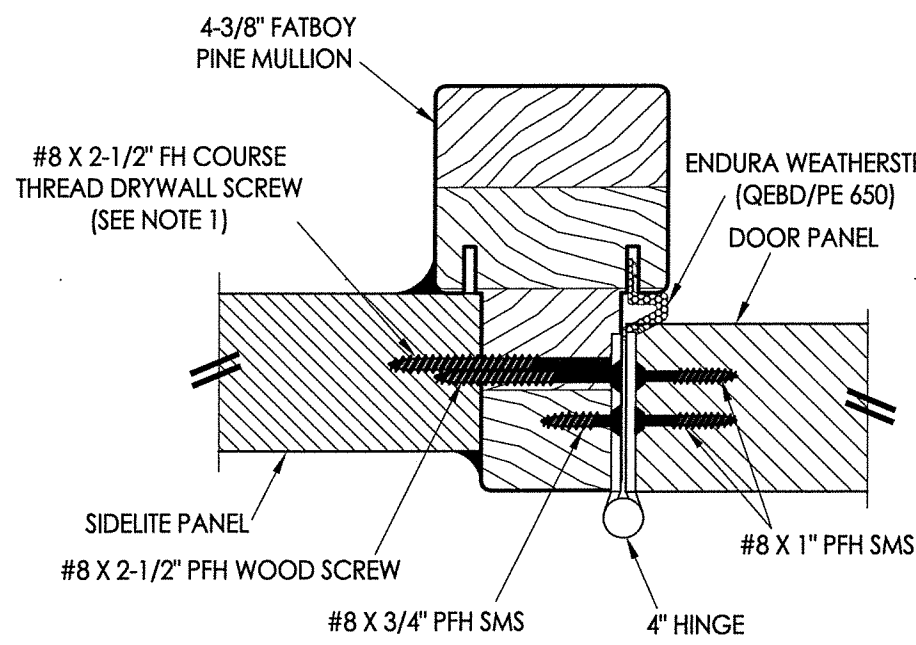
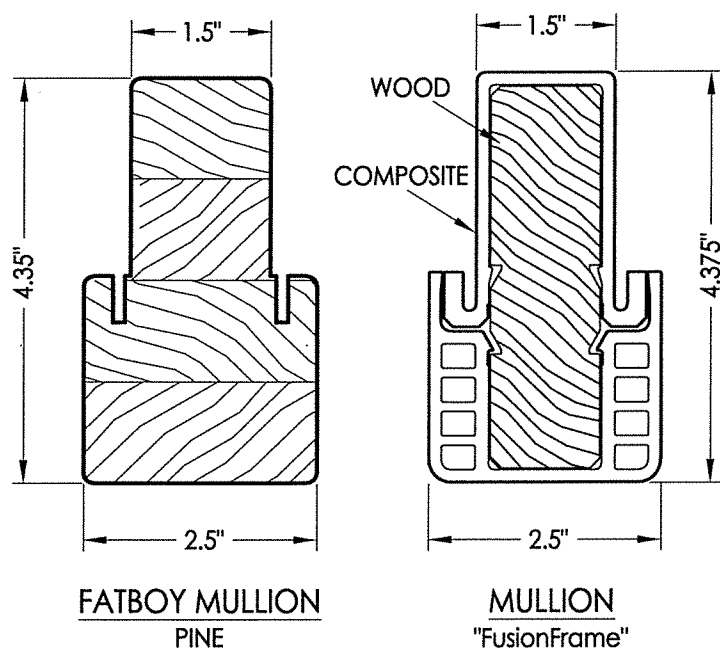
**RW** BUILDING CONSULTANTS, INC.  
P.O. Box 230 Valrico FL, 33595  
Phone No.: 813.659.9197

TEXAS BOARD OF PROFESSIONAL ENGINEERS  
CERTIFICATE OF REGISTRATION # F-11852



**3 HORIZONTAL CROSS SECTION**  
Outswing shown - Inswing also approved

**4 HORIZONTAL CROSS SECTION**  
Outswing shown - Inswing also approved



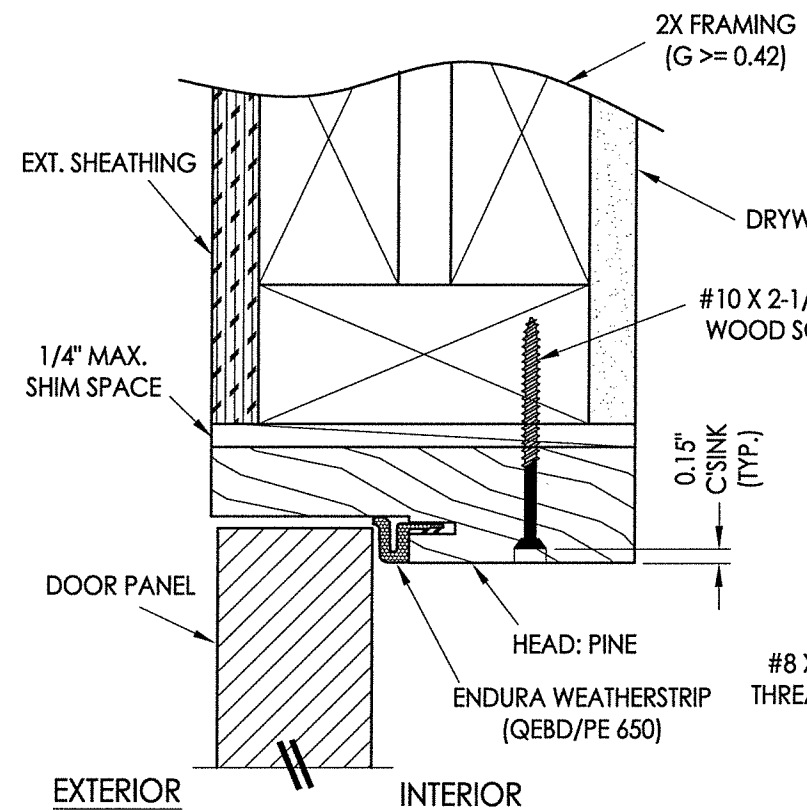
**1 HORIZONTAL CROSS SECTION**  
Outswing shown - Inswing also approved

**2 HORIZONTAL CROSS SECTION**  
Outswing shown - Inswing also approved

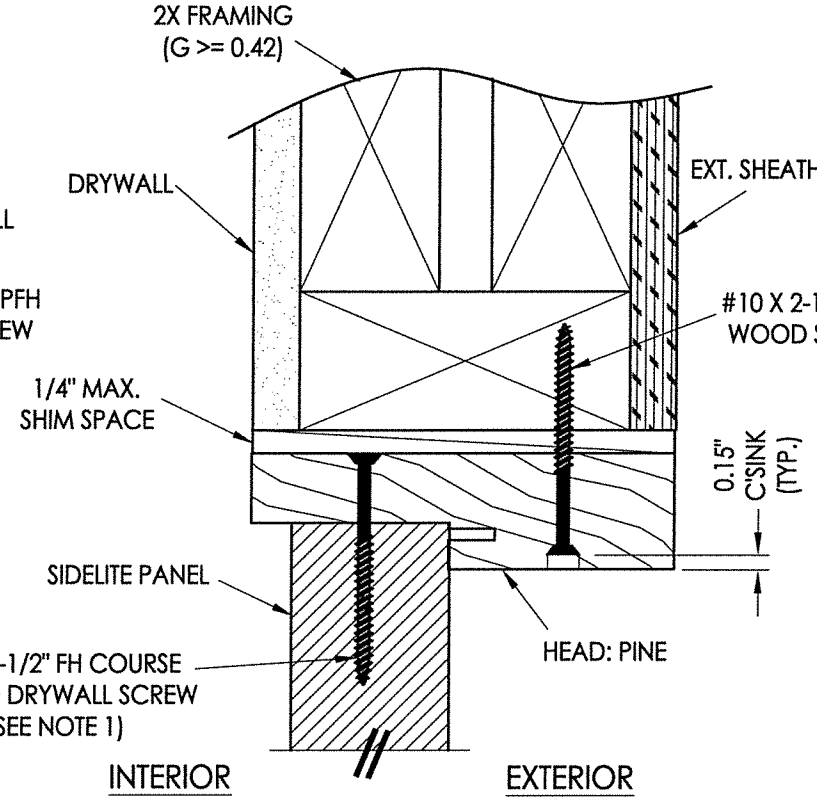
**NOTES:**  
1. Spacing for sidelite screws: 6.5", 38.5" and 69" from head to sill (3 total).  
2. Spacing for mullion screws: 6" from each end plus 3 more equally spaced (5 total).

PRODUCT:	ENDURA
PART OR ASSEMBLY:	FIBERGLASS DOOR
NO.	1
DATE	10/23/19
BY	LFS
REVISIONS	UPDATE TO 2018 IBC/IRC CODE
DATE:	11/09/16
SCALE:	N.T.S.
DWG. BY:	JK
CHK. BY:	LFS
DRAWING NO.:	TX-4674
SHEET	4 OF 7

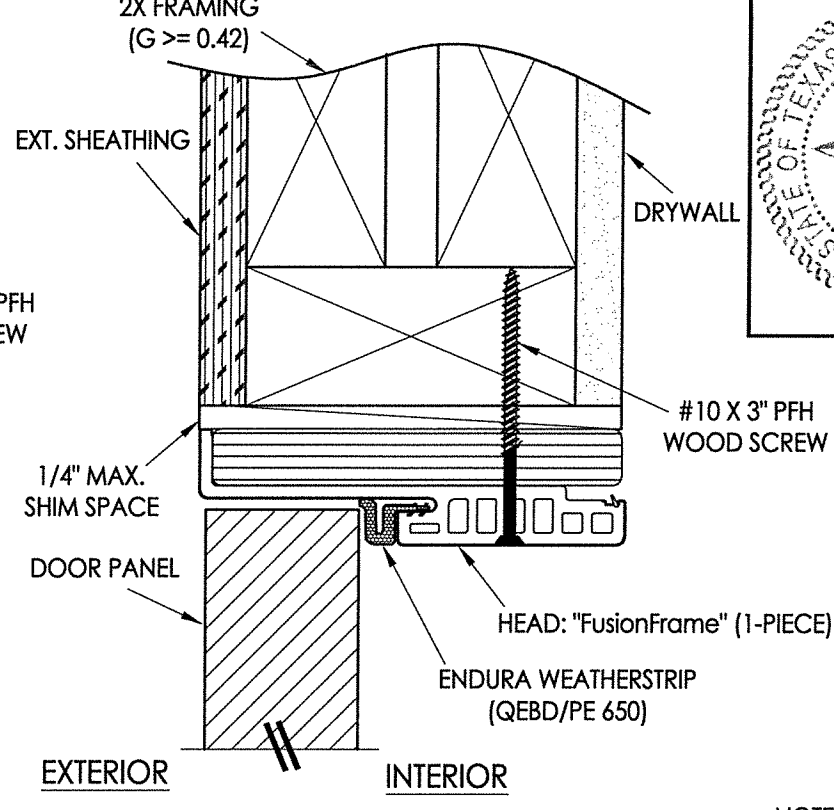
R:\Clients\Endura PERMANENT\B - Texas Dept of Ins\TDI - DR-705 Masonite FG N/C - Drawings\REV 2018 IBC\TX-4674.76.dwg, 5.3



**1** VERTICAL CROSS SECTION  
**5** Outswing shown - inswing also approved

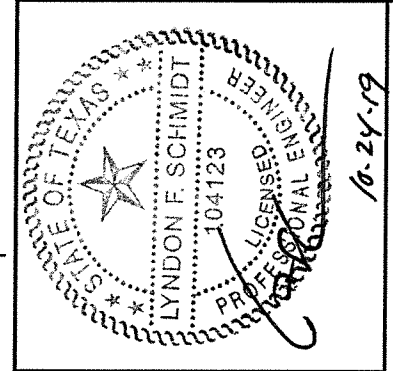


**2** VERTICAL CROSS SECTION  
**5** Inswing shown - Outswing also approved



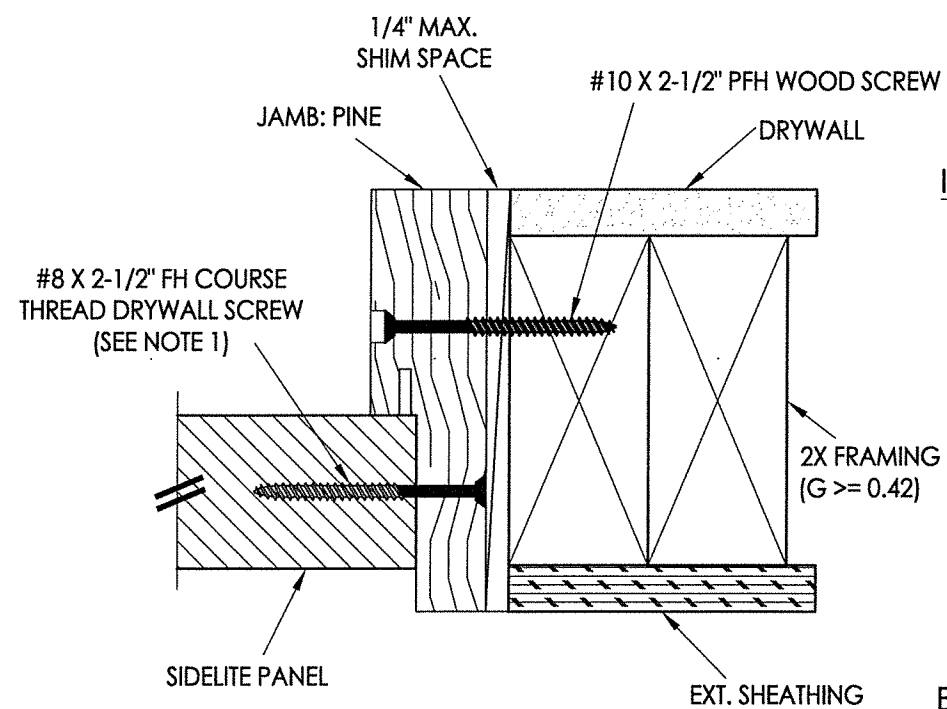
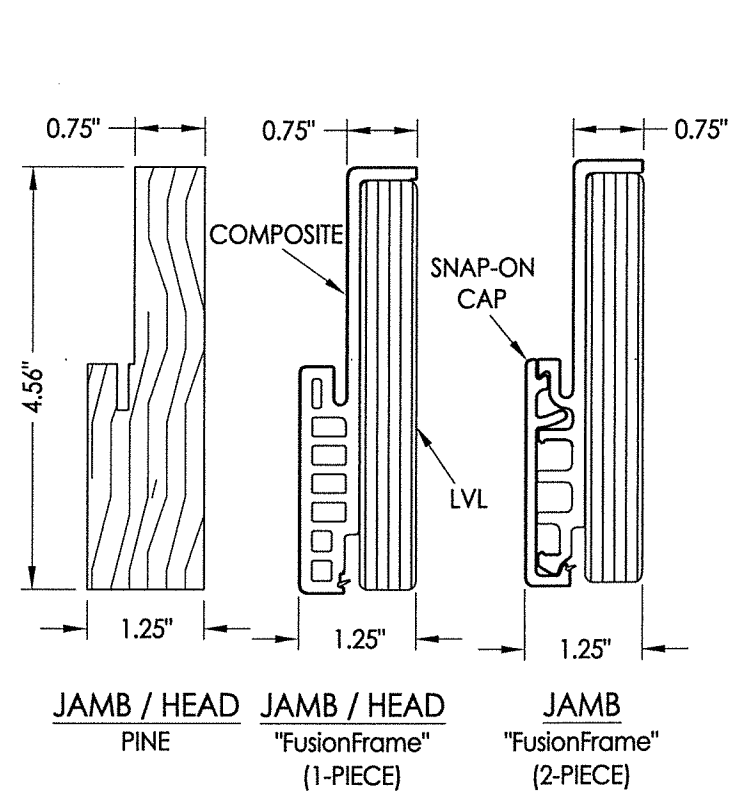
**3** VERTICAL CROSS SECTION  
**5** Outswing shown - inswing also approved

NOTE:  
 1. Spacing for sidelite screws: 6" from each end (2 total).

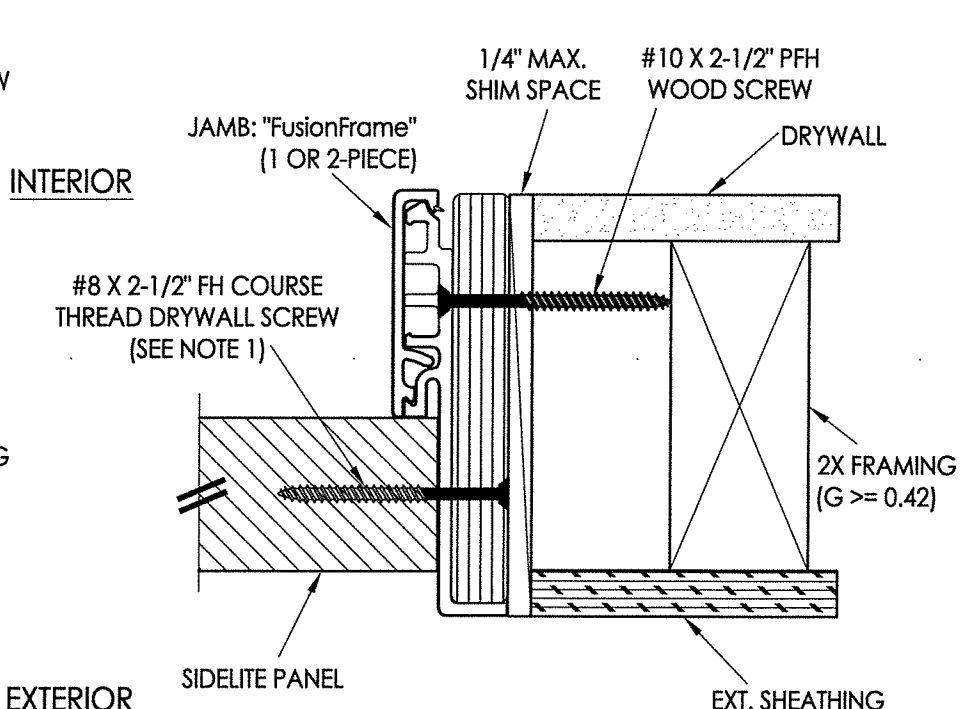


Documents Prepared By: Lyndon F. Schmidt, P.E.  
 TEXAS P.E. #104123

**RW** BUILDING CONSULTANTS, INC.  
 P.O. Box 230 Valrico FL 33595  
 Phone No.: 813.659.9197  
 TEXAS BOARD OF PROFESSIONAL ENGINEERS  
 CERTIFICATE OF REGISTRATION # F-11852



**4** HORIZONTAL CROSS SECTION  
**5** Outswing shown - Inswing also approved

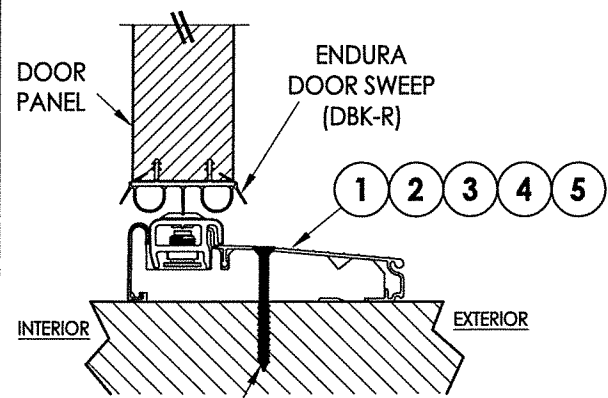


**5** HORIZONTAL CROSS SECTION  
**5** Outswing shown - Inswing also approved

PRODUCT:	ENDURA	
PART OR ASSEMBLY:	VERTICAL CROSS SECTIONS	
NO.	DATE	BY
1	10/23/19	LFS
ADD "FusionFrame" OPTION & UPDATE TO 2018 IBC/IRC CODE		
REVISIONS		
DATE:	11/09/16	
SCALE:	N.T.S.	
DWG. BY:	JK	
CHK. BY:	LFS	
DRAWING NO.:	TX-4674	
SHEET	5 OF 7	

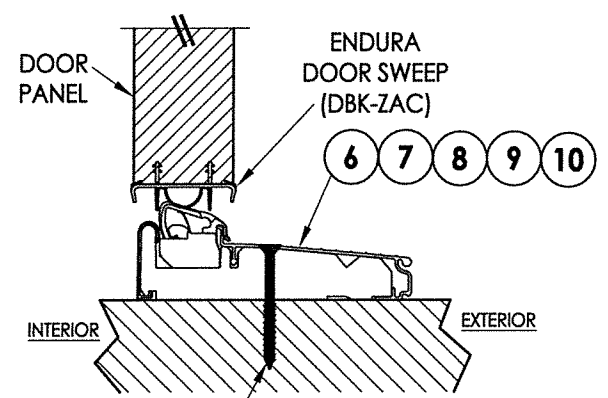
© 2016 R.W. BUILDING CONSULTANTS INC.

R:\Clients\Endura PERMANENT\B - Texas Dept of Ins\TDI - DR-705 Masonite FG N\C - Drawings\REV 2018 IBC\TX-4674.76.dwg, 6.3



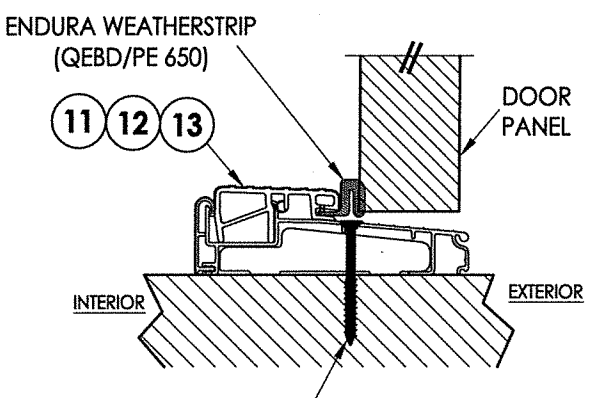
#10 X 2.5\"/>

**1** VERTICAL CROSS SECTION  
6 Inswing Adjustable Threshold



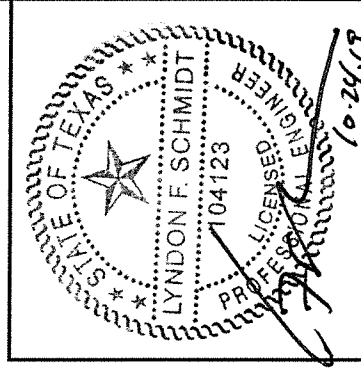
#10 X 2.5\"/>

**2** VERTICAL CROSS SECTION  
6 Inswing Articulating Threshold

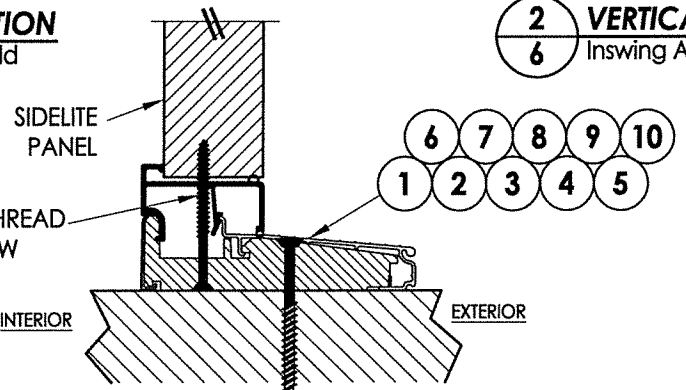


#10 X 2.5\"/>

**3** VERTICAL CROSS SECTION  
6 Outswing Bump Threshold

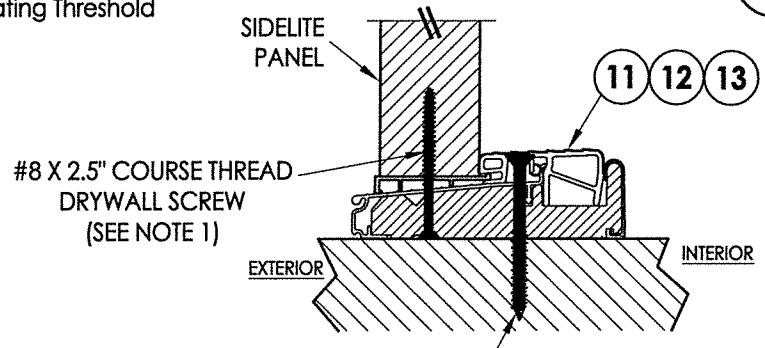


NOTE:  
1. Spacing for sidelite screws:  
6\"/>



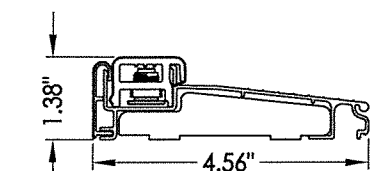
#10 X 2.5\"/>

**4** VERTICAL CROSS SECTION  
6 Inswing configuration

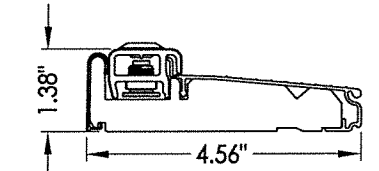


#10 X 2.5\"/>

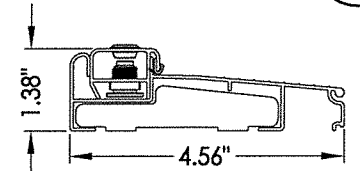
**5** VERTICAL CROSS SECTION  
6 Outswing configuration



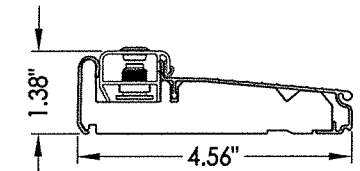
**1** INSWING ADJUSTABLE THRESHOLD  
ZAIL4565



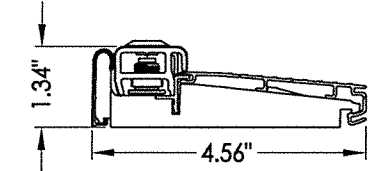
**2** INSWING ADJUSTABLE THRESHOLD  
ZAI4565FN



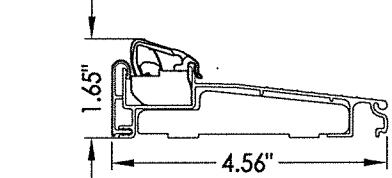
**3** INSWING ADJUSTABLE THRESHOLD  
ZAILAA4565



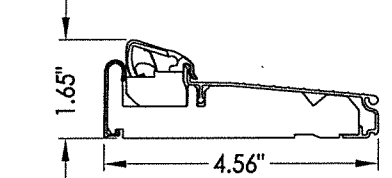
**4** INSWING ADJUSTABLE THRESHOLD  
ZAIAA4565FN



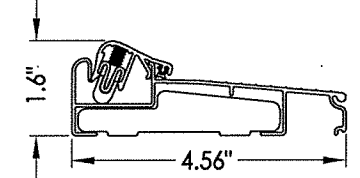
**5** INSWING ADJUSTABLE THRESHOLD  
ZAI4565RDS



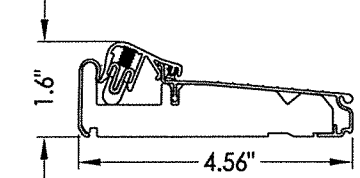
**6** INSWING ARTICULATING THRESHOLD  
ZACL4565



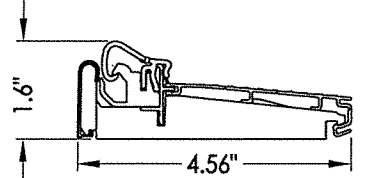
**7** INSWING ARTICULATING THRESHOLD  
ZAC4565FN



**8** INSWING ARTICULATING THRESHOLD  
ZACLAA4565

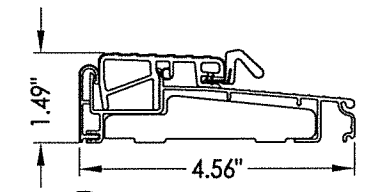


**9** INSWING ARTICULATING THRESHOLD  
ZACAA4565FN

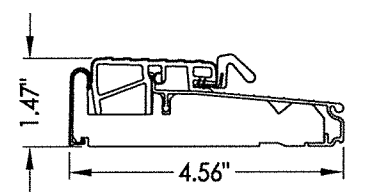


**10** INSWING ARTICULATING THRESHOLD  
ZAC4565RDS

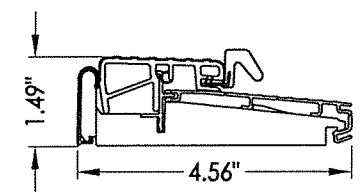
MAX. DESIGN PRESSURE = ±45 PSF



**11** OUTSWING THRESHOLD  
ZOBL4565



**12** OUTSWING THRESHOLD  
ZOB4565FN

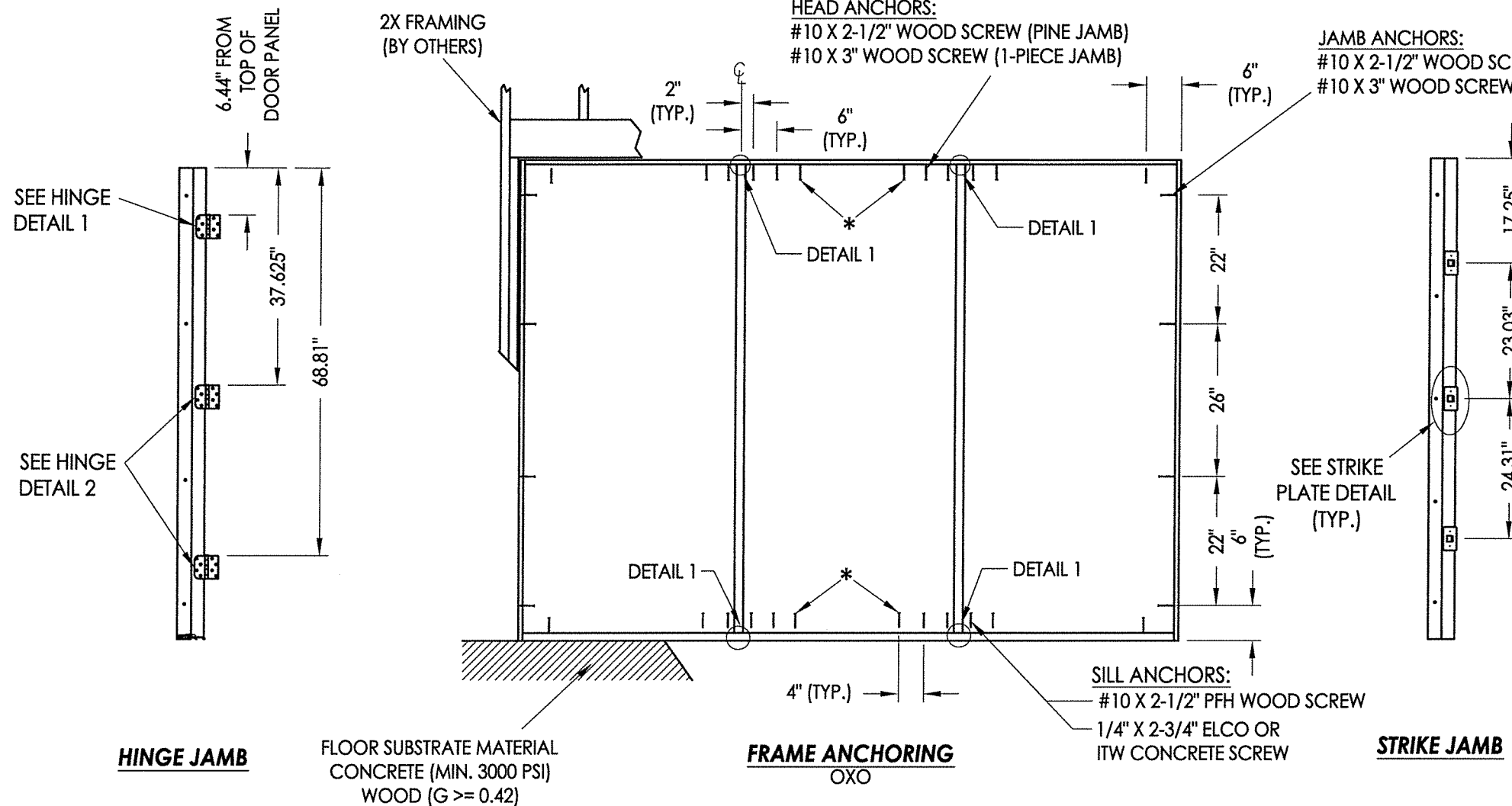


**13** OUTSWING THRESHOLD  
ZOB4565RDS

Documents Prepared By: Lyndon F. Schmidt, P.E. TEXAS P.E. #104123		R.W. BUILDING CONSULTANTS, INC. P.O. Box 230 Valrico FL 33595 Phone No.: 813.659.9197	
PRODUCT: ENDURA		FIBERGLASS DOOR	
PART OR ASSEMBLY: LFS		VERTICAL CROSS SECTIONS	
DATE: 11/09/16	SCALE: N.T.S.	NO. DATE	BY
DWG. BY: JK	CHK. BY: LFS	1 10/23/19	ADD "FusionFrame" OPTION & UPDATE TO 2018 IBC/IRC CODE
DRAWING NO.: TX-4674	REVISIONS		
SHEET 6 OF 7	© 2016 R.W. BUILDING CONSULTANTS INC.		



R:\Clients\Endura PERMANENT\B - Texas Dept of Ins\TDI - DR-705 Masonite FG N\C - Drawings\REV 2018 IBC\TX-4674.76.dwg, 7.3



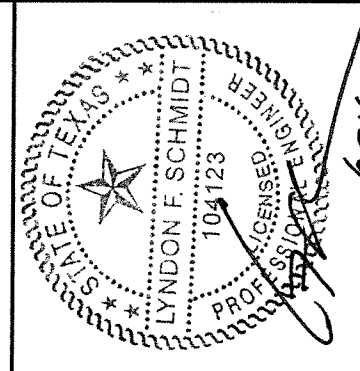
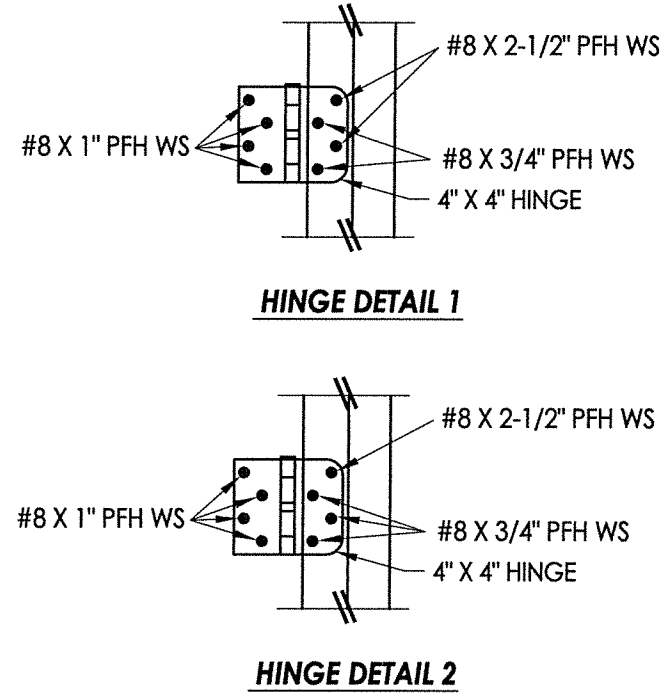
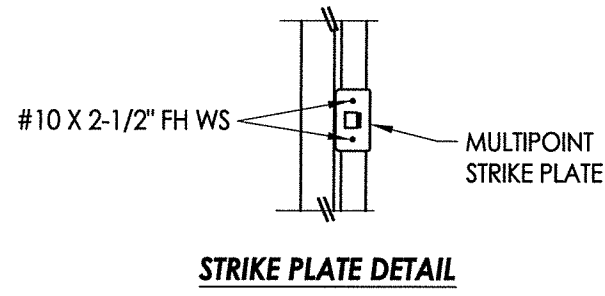
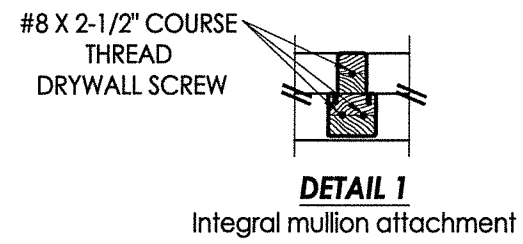
\*NOTE: These anchors are required for D.P. > 45 PSF.

**JAMB NOTES:**  
THE PINE OR "FusionFrame" 1-PIECE JAMB MAY BE INSTALLED @ THE HEAD OR SIDE JAMB.  
THE FusionFrame" 2-PIECE JAMB MAY BE INSTALLED @ THE SIDE JAMBS ONLY.

**INTEGRAL MULLION NOTES:**  
THE FATBOY PINE MULLION, "FusionFrame" MULLION, OR THE "FusionFrame" BACK-TO-BACK JAMB (1-PIECE OR 2-PIECE) MAY ALL BE USED AS THE INTEGRAL MULLION.

- CONCRETE ANCHOR NOTES:**
- Concrete anchor locations at the corners may be adjusted to maintain the min. edge distance to mortar joints.
  - Concrete anchor locations noted as "MAX. ON CENTER" must be adjusted to maintain the min. edge distance to mortar joints, additional concrete anchors may be required to ensure the "MAX. ON CENTER" dimension are not exceeded.
  - Concrete anchor table:

ANCHOR TYPE	ANCHOR SIZE	MIN. EMBEDMENT	MIN. CLEARANCE TO MASONRY EDGE	MIN. CLEARANCE TO ADJACENT ANCHOR
ITW TAPCON®	1/4"	1-3/4"	1-1/2"	4"
ELCO ULTRACON®	1/4"	1-3/4"	1"	4"



Documents Prepared By: Lyndon F. Schmidt, P.E.  
TEXAS P.E. #104123

**RW** BUILDING CONSULTANTS, INC.  
P.O. Box 230 Vairico FL 33595  
Phone No.: 813.659.9197

TEXAS BOARD OF PROFESSIONAL ENGINEERS  
CERTIFICATE OF REGISTRATION # F-11852

PRODUCT:	ENDURA
PART OR ASSEMBLY:	FRAME ANCHORING
DATE:	11/09/16
SCALE:	N.T.S.
DWG. BY:	JK
CHK. BY:	LFS
DRAWING NO.:	TX-4674
SHEET	7 OF 7

© 2016 R.W. BUILDING CONSULTANTS INC.