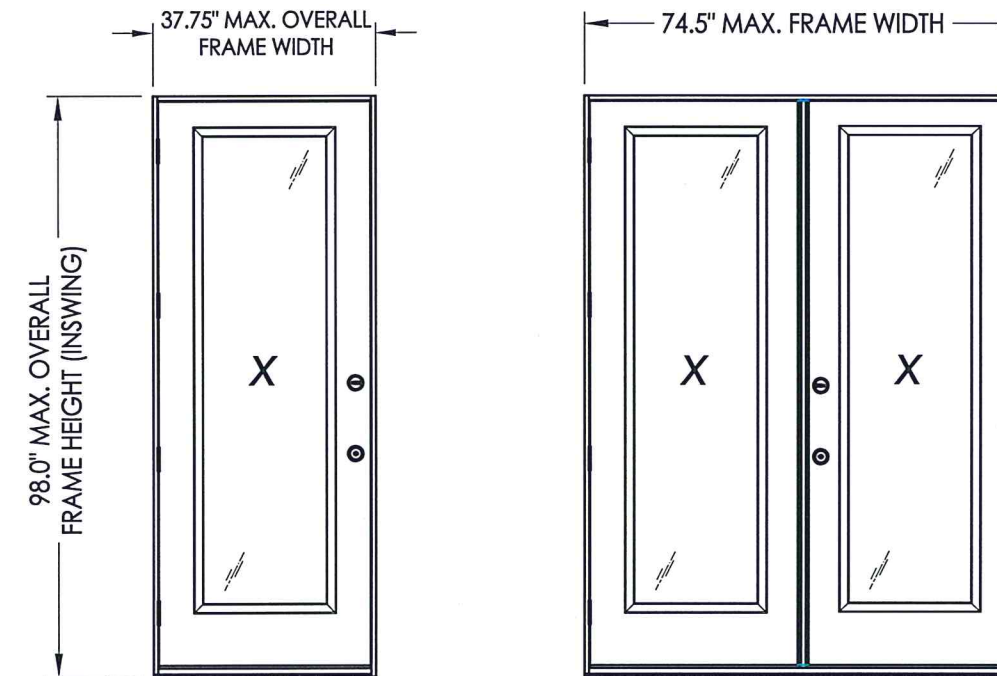


# FIBERGLASS ENTRY DOOR INSWING "IMPACT"



EVALUATED FOR USE IN THE STATE OF TEXAS

**TDI DR-692**

The Fiberglass Door system described herein complies with the 2018 International Residential Code (IRC), Sections R301 & R609 and the 2018 International Building Code (IBC), Sections 1404.13, 1609, 1709.5, 2403 and 2404 subject to the following conditions:

1. Anchors shall be as listed and spaced as shown in the details. Anchor embedment to base material shall be beyond wall dressing or stucco.
2. This system has been tested and evaluated as a large missile impact protective system for installation in areas that require wind borne debris protection. This product meets missile level "D" as defined in ASTM E 1996.
3. Allowable design pressure requirements must be equal to or less than the design pressure rating shown in the design pressure chart, sheet 1 of this drawing.
4. Conditions not covered by this drawing are subject to further engineering analysis.

**TABLE OF CONTENTS**

SHEET #	DESCRIPTION
1	Typical elevations, design pressures & general notes
2	Door panel details
3	Lite frame and glazing details
4	Elevations & hardware table
5	Horizontal cross sections
6	Vertical cross sections
7	Frame anchoring
8	Astragal details
9	Bill of materials & components

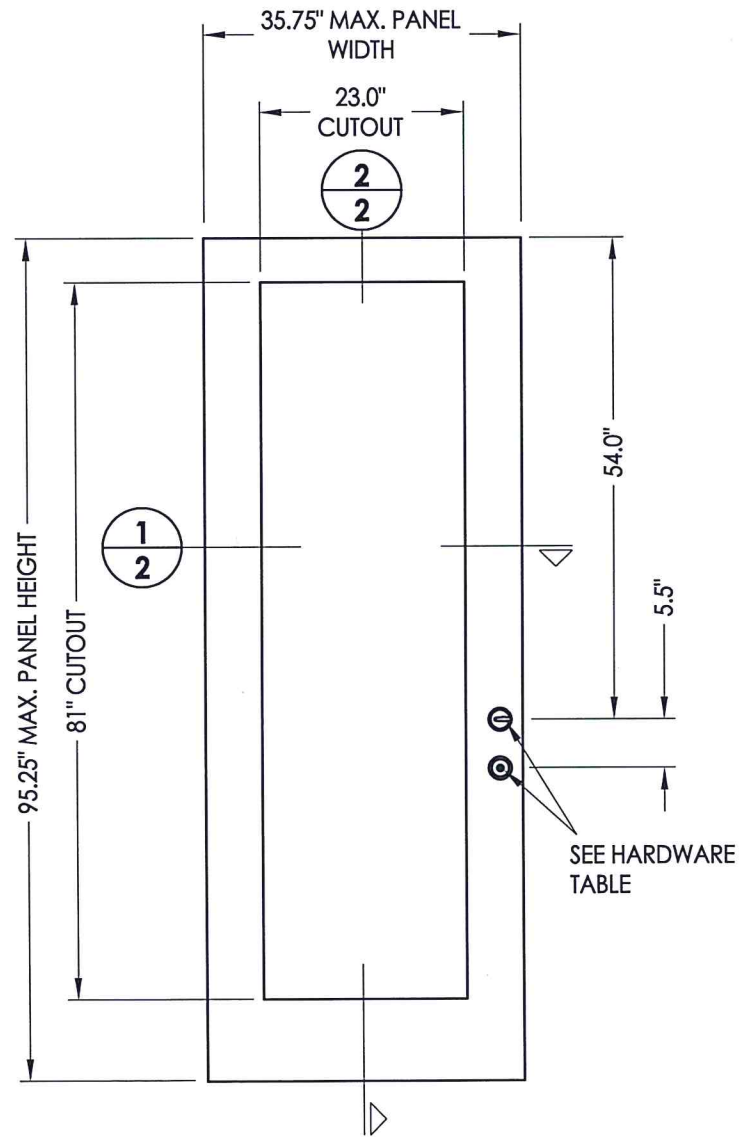
CONFIGURATION	MAX. FRAME DIMENSION	DESIGN PRESSURE (PSF) INSWING	
		POSITIVE	NEGATIVE
X	37.75" x 98.0"	+35.0	-40.0
XX	74.5" x 98.0"	+35.0	-40.0

PRODUCT: FIBERGLASS DOOR	
PART OR ASSEMBLY: TYPICAL ELEVATION, DESIGN PRESSURES & GENERAL NOTES	
10/26/21	UPDATE TO 2018 IRC/IRC
5/31/18	ADD FLAT FRAME LITE PROFILE
12/14/15	ADD H.S. GLAZING OPTION
NO.	DATE
REVISIONS	
DATE: 6/13/13	
SCALE: N.T.S.	
DWG. BY: JK	
CHK. BY: LFS	
DRAWING NO.: TX-4376	
SHEET 1 OF 9	

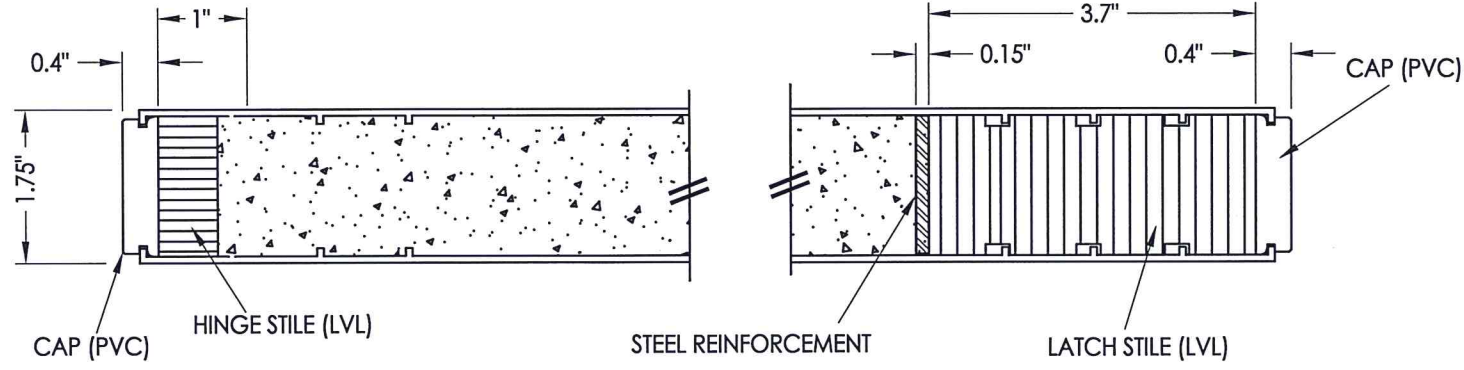
Documents Prepared By: Lyndon F. Schmidt, P.E.  
TEXAS P.E. #104123

**RW** BUILDING CONSULTANTS, INC.  
P.O. Box 230 Valrico FL 33595  
Phone No.: 813.659.9197

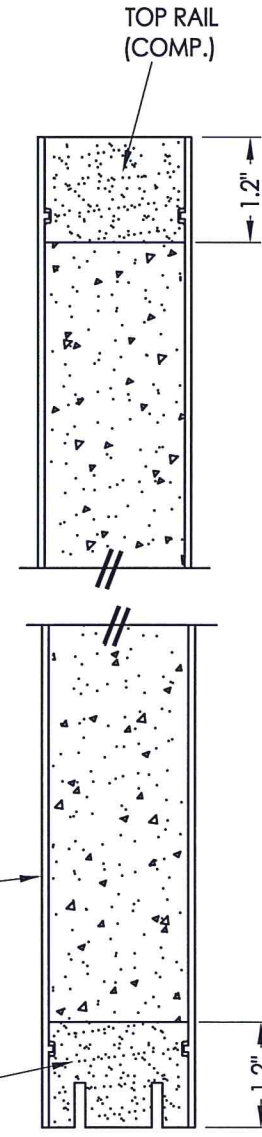
TEXAS BOARD OF PROFESSIONAL ENGINEERS  
CERTIFICATE OF REGISTRATION # F-11852



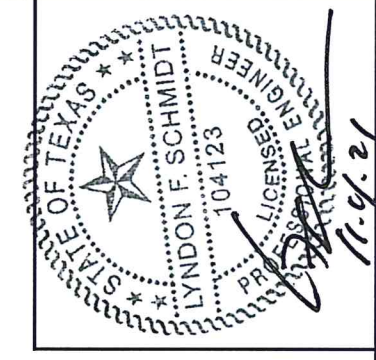
**40 DOOR PANEL**  
Plastpro



**1 HORIZONTAL CROSS SECTION**



**2 VERTICAL CROSS SECTION**



Documents Prepared By: Lyndon F. Schmidt, P.E.  
TEXAS P.E. #104123

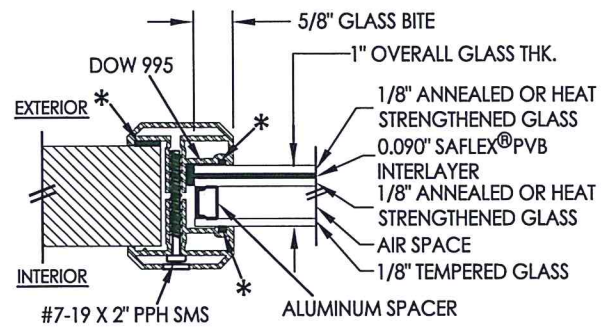
**RW** BUILDING CONSULTANTS, INC.  
P.O. Box 230 Valrico FL 33595  
Phone No.: 813.659.9197

TEXAS BOARD OF PROFESSIONAL ENGINEERS  
CERTIFICATE OF REGISTRATION # F-11852

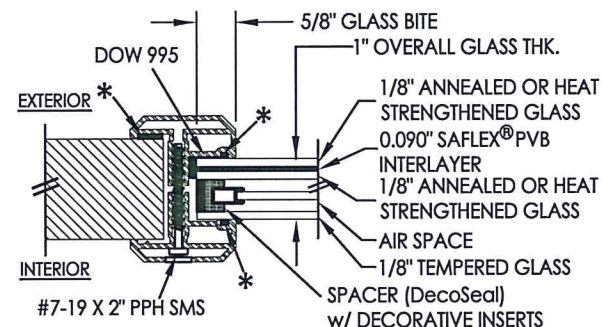
PRODUCT:		FIBERGLASS DOOR	
PART OR ASSEMBLY:		DOOR/SIDELITE PANEL DETAILS	
NO.	DATE	BY	REVISIONS
3	10/26/21	LFS	UPDATE TO 2018 IBC/IRC
2	5/31/18	LFS	ADD FLAT FRAME LITE PROFILE
1	12/14/15	JK	ADD H.S. GLAZING OPTION

DATE: 6/13/13  
SCALE: N.T.S.  
DWG. BY: JK  
CHK. BY: LFS  
DRAWING NO.: TX-4376  
SHEET 2 OF 9

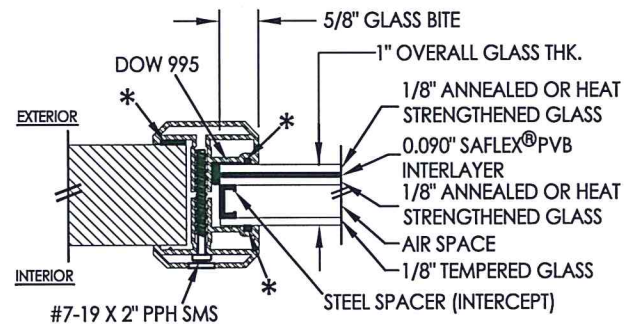




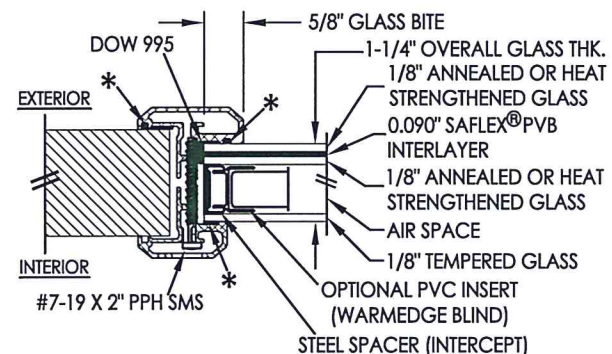
**G1 GLAZING DETAIL**  
Flat Frame Profile



**G3 GLAZING DETAIL**  
Flat Frame Profile

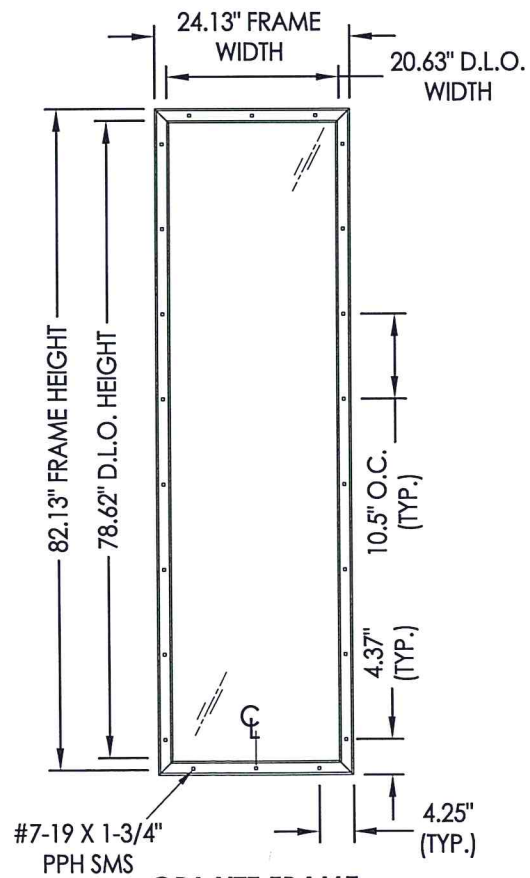


**G2 GLAZING DETAIL**  
Flat Frame Profile

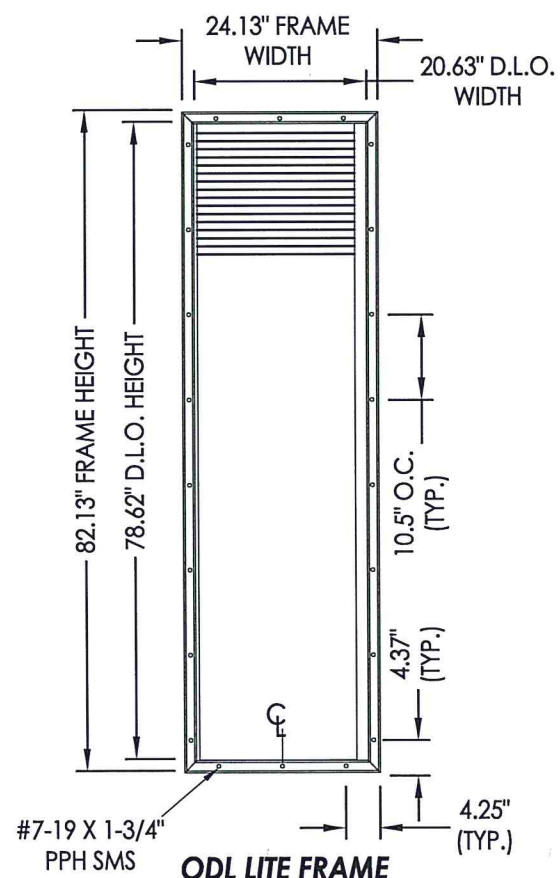


**G4 GLAZING DETAIL**  
Flat Frame Profile  
w/ Blinds Between Glass

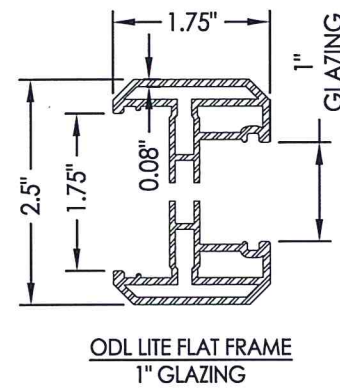
\* NON-STRUCTURAL  
BACKBEDDING  
(READI-SEAL)



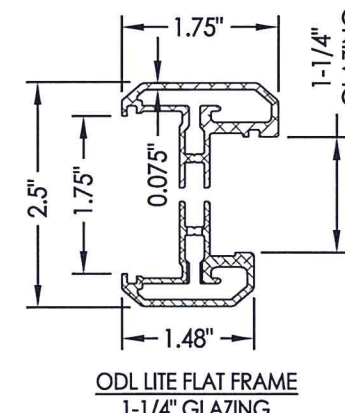
**ODL LITE FRAME**  
"Flat Frame" Aluminum



**ODL LITE FRAME**  
"Flat Frame" Aluminum  
w/ Blinds Between Glass



**ODL LITE FLAT FRAME**  
1" GLAZING



**ODL LITE FLAT FRAME**  
1-1/4" GLAZING



Documents Prepared By: Lyndon F. Schmidt, P.E.  
TEXAS P.E. #104123

**RW** BUILDING CONSULTANTS, INC.  
P.O. Box 230 Valrico FL, 33595  
Phone No.: 813.659.9197

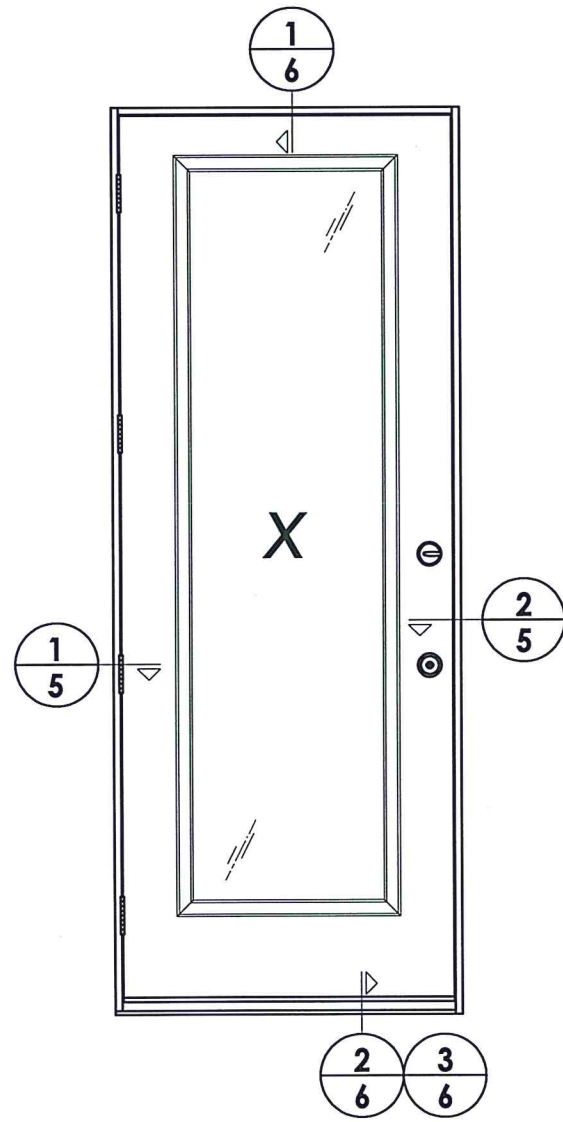
TEXAS BOARD OF PROFESSIONAL ENGINEERS  
CERTIFICATE OF REGISTRATION # F-11852

PRODUCT: FIBERGLASS DOOR

PART OR ASSEMBLY: LITE FRAME & GLAZING DETAILS

NO.	DATE	REVISIONS
3	10/26/21	UPDATE TO 2018 IBC/IRC
2	5/31/18	ADD FLAT FRAME LITE PROFILE
1	12/14/15	ADD H.S. GLAZING OPTION

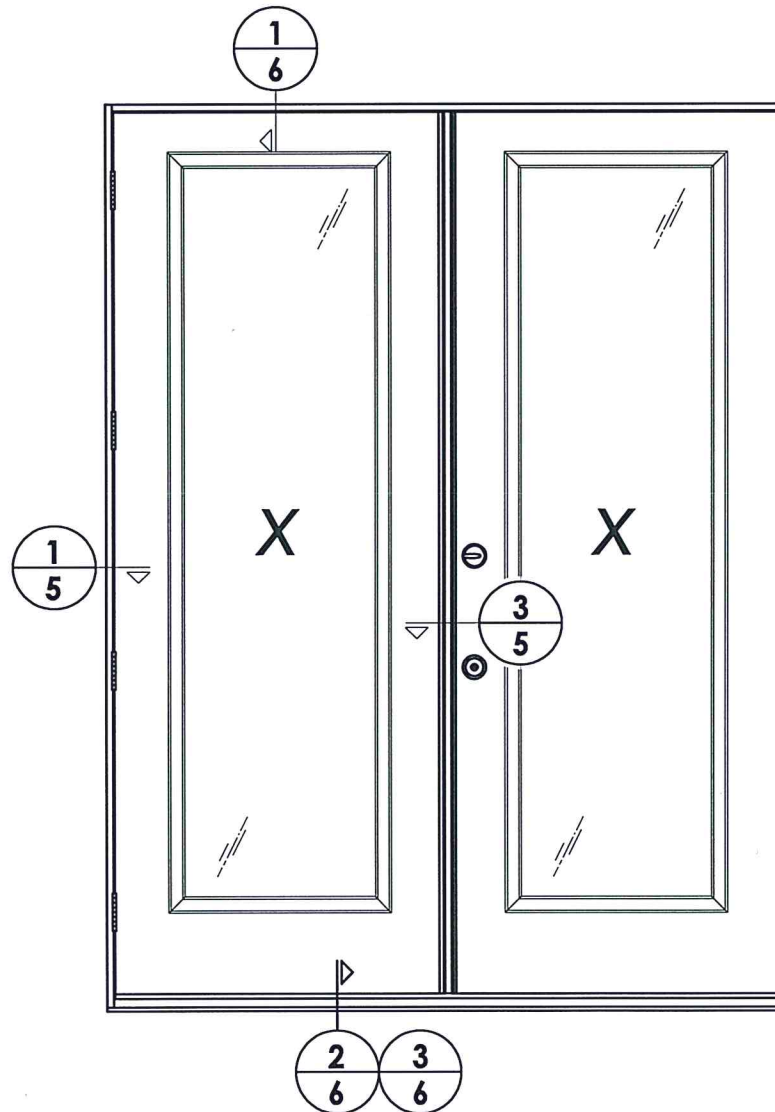
DATE: 6/13/13  
SCALE: N.T.S.  
DWG. BY: JK  
CHK. BY: LFS  
DRAWING NO.: TX-4376  
SHEET 3 OF 9



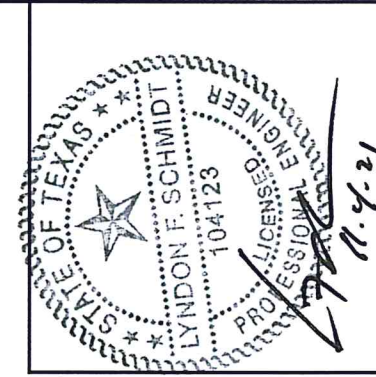
ELEVATION  
X

HARDWARE TABLE		
MANUFACTURER	MODEL	
KWIKSET	Knob:	SIGNATURE SERIES
	DEADBOLT:	SIGNATURE SERIES (980)
SCHLAGE	Knob:	"F" SERIES (F60)
	DEADBOLT:	"B" SERIES (B60/62)
PAMEX*	Knob:	"F1" SERIES
	DEADBOLT:	"FD7" SERIES

\*MAX. DESIGN PRESSURE FOR PAMEX LOCK  
INSWING = +30/-30 PSF



ELEVATION  
XX



Documents Prepared By: Lyndon F. Schmidt, P.E.  
TEXAS P.E. #104123

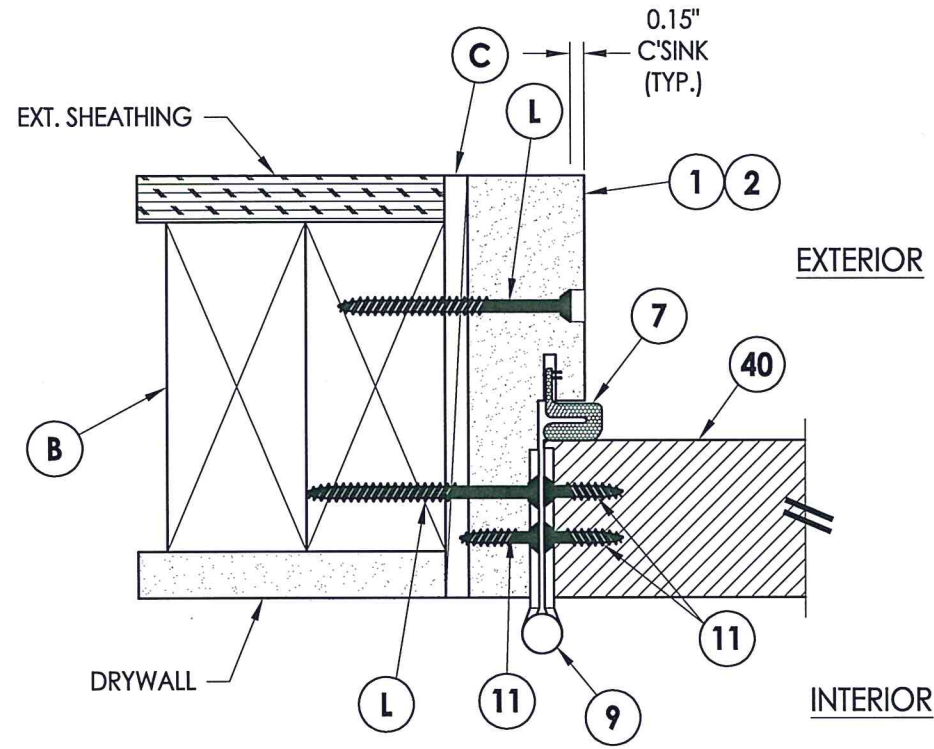
**RW** BUILDING CONSULTANTS, INC.  
P.O. Box 230 Valrico FL 33595  
Phone No.: 813.659.9197  
TEXAS BOARD OF PROFESSIONAL ENGINEERS  
CERTIFICATE OF REGISTRATION # F-11852

PRODUCT: FIBERGLASS DOOR  
PART OR ASSEMBLY: ELEVATIONS & HARDWARE TABLE

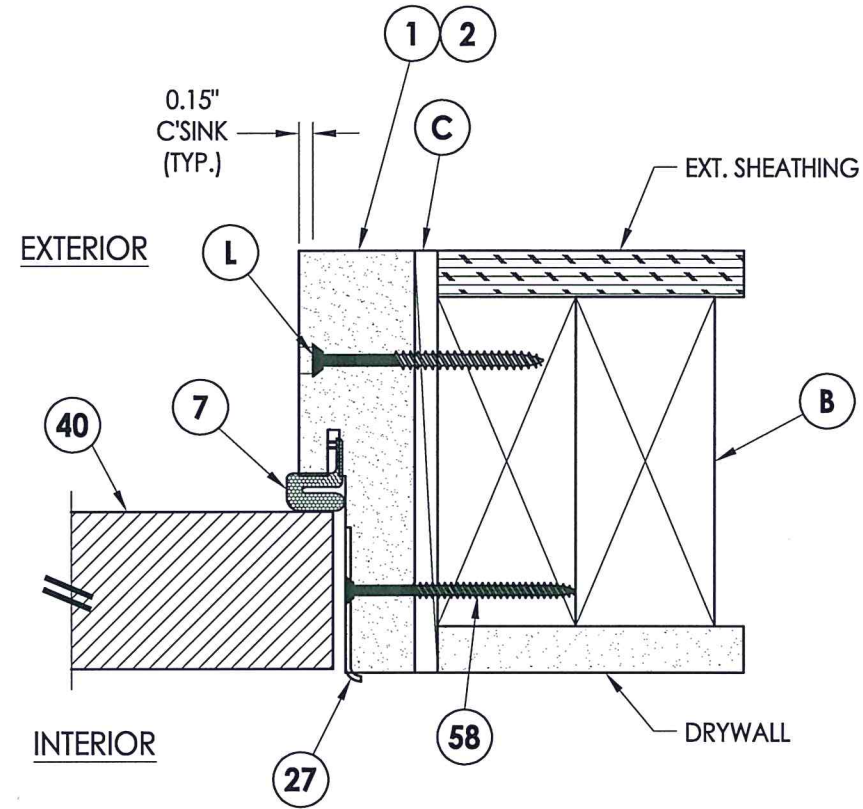
NO.	DATE	REVISIONS
3	10/26/21	UPDATE TO 2018 IBC/IRC
2	5/31/18	ADD FLAT FRAME LITE PROFILE
1	12/14/15	ADD H.S. GLAZING OPTION

DATE: 6/13/13  
SCALE: N.T.S.  
DWG. BY: JK  
CHK. BY: LFS  
DRAWING NO.: TX-4376  
SHEET 4 OF 9

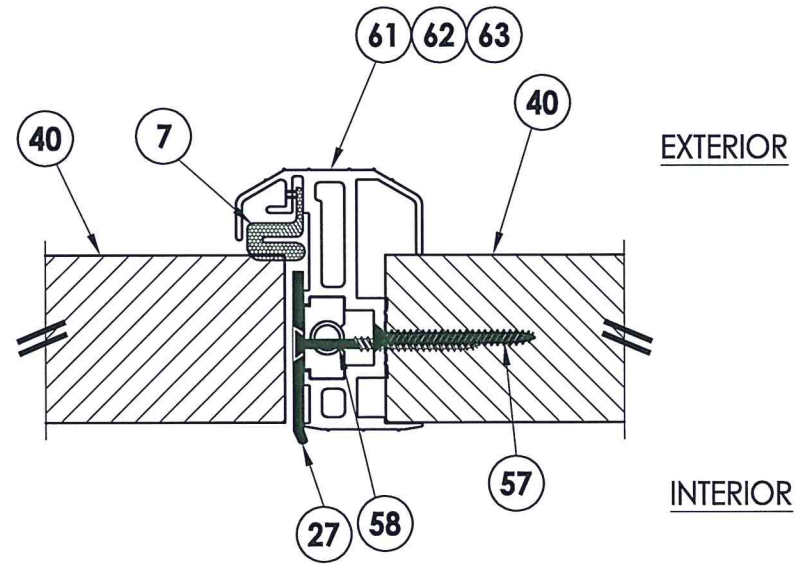




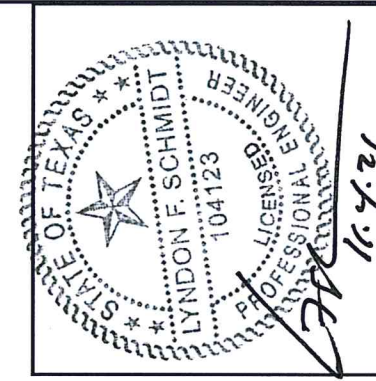
**1**  
**5** HORIZONTAL CROSS SECTION



**2**  
**5** HORIZONTAL CROSS SECTION



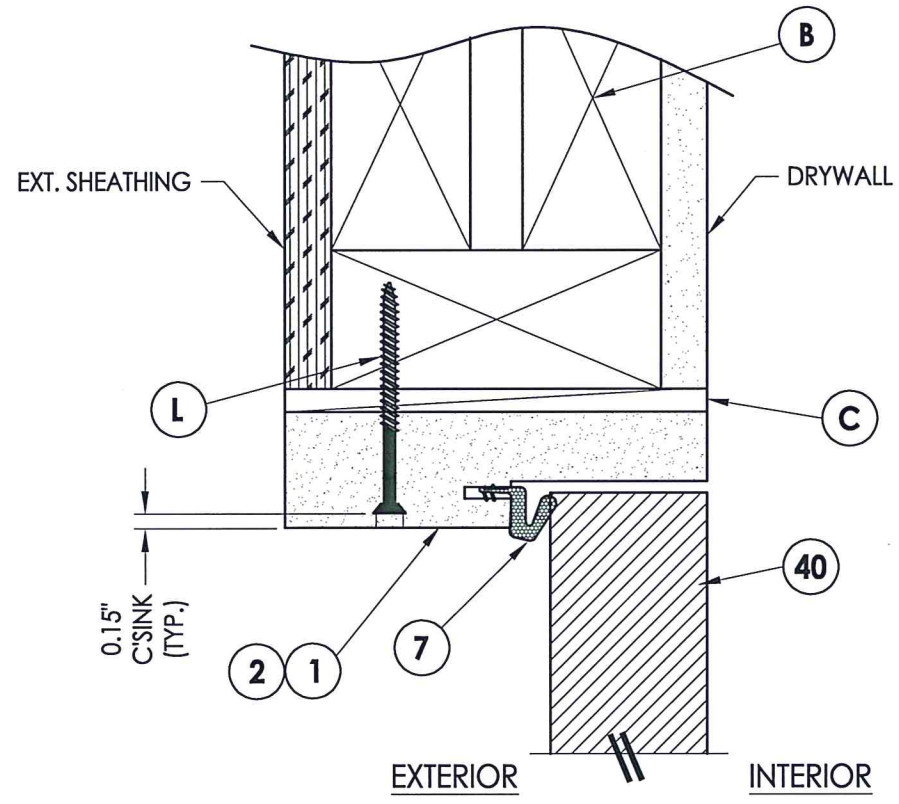
**3**  
**5** HORIZONTAL CROSS SECTION



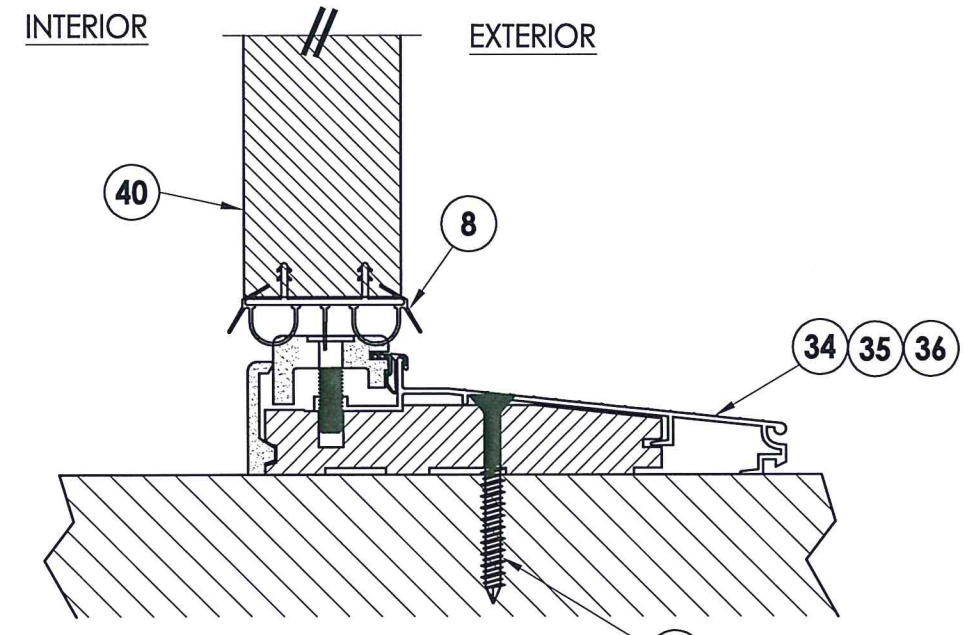
Documents Prepared By: Lyndon F. Schmidt, P.E.  
TEXAS P.E. #104123

**RW** BUILDING CONSULTANTS, INC.  
P.O. Box 230 Valrico FL, 33595  
Phone No.: 813.659.9197  
TEXAS BOARD OF PROFESSIONAL ENGINEERS  
CERTIFICATE OF REGISTRATION # F-11852

PRODUCT:		FIBERGLASS DOOR	
PART OR ASSEMBLY:		HORIZONTAL CROSS SECTIONS	
NO.	DATE	BY	REVISIONS
3	10/26/21	LFS	UPDATE TO 2018 IBC/IRC
2	5/31/18	LFS	ADD FLAT FRAME LITE PROFILE
1	12/14/15	JK	ADD H.S. GLAZING OPTION
DATE: 6/13/13			
SCALE: N.T.S.			
DWG. BY: JK			
CHK. BY: LFS			
DRAWING NO.: TX-4376			
SHEET 5 OF 9			

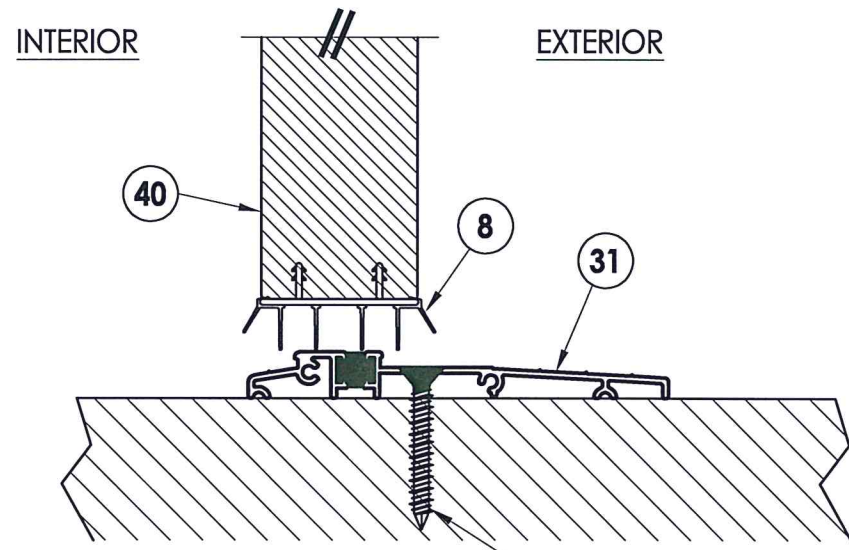


**1**  
**6** VERTICAL CROSS SECTION



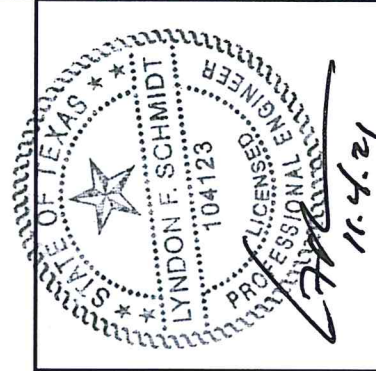
**2**  
**6** VERTICAL CROSS SECTION  
Inswing configuration

**J** WOOD  
**D** CONCRETE



**3**  
**6** VERTICAL CROSS SECTION  
Inswing configuration

**J** WOOD  
**D** CONCRETE



Documents Prepared By: Lyndon F. Schmidt, P.E.  
TEXAS P.E. #104123

**RW** BUILDING CONSULTANTS, INC.  
P.O. Box 230 Valrico FL, 33595  
Phone No.: 813.689.9197

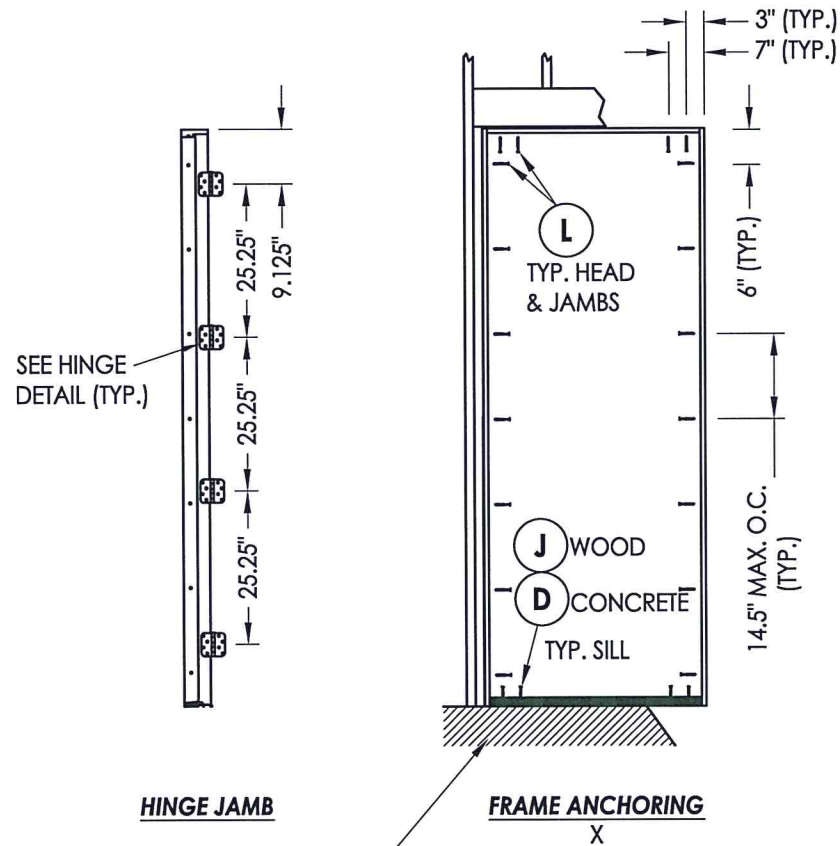
TEXAS BOARD OF PROFESSIONAL ENGINEERS  
CERTIFICATE OF REGISTRATION # F-11852

PRODUCT:	FIBERGLASS DOOR
PART OR ASSEMBLY:	VERTICAL CROSS SECTIONS

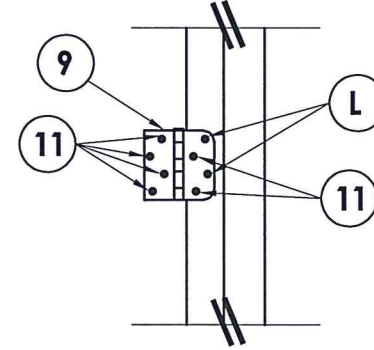
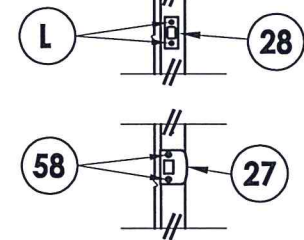
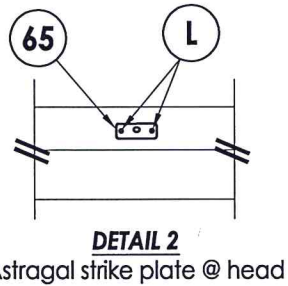
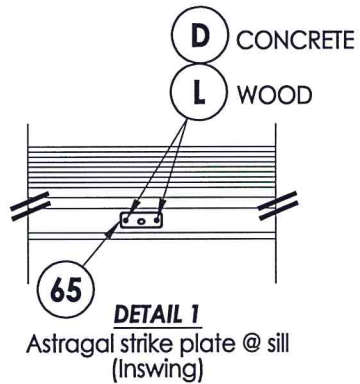
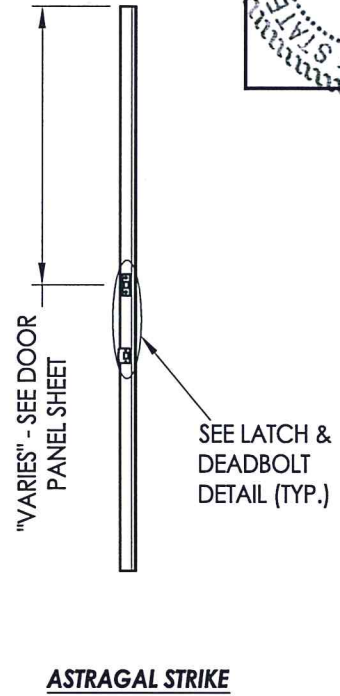
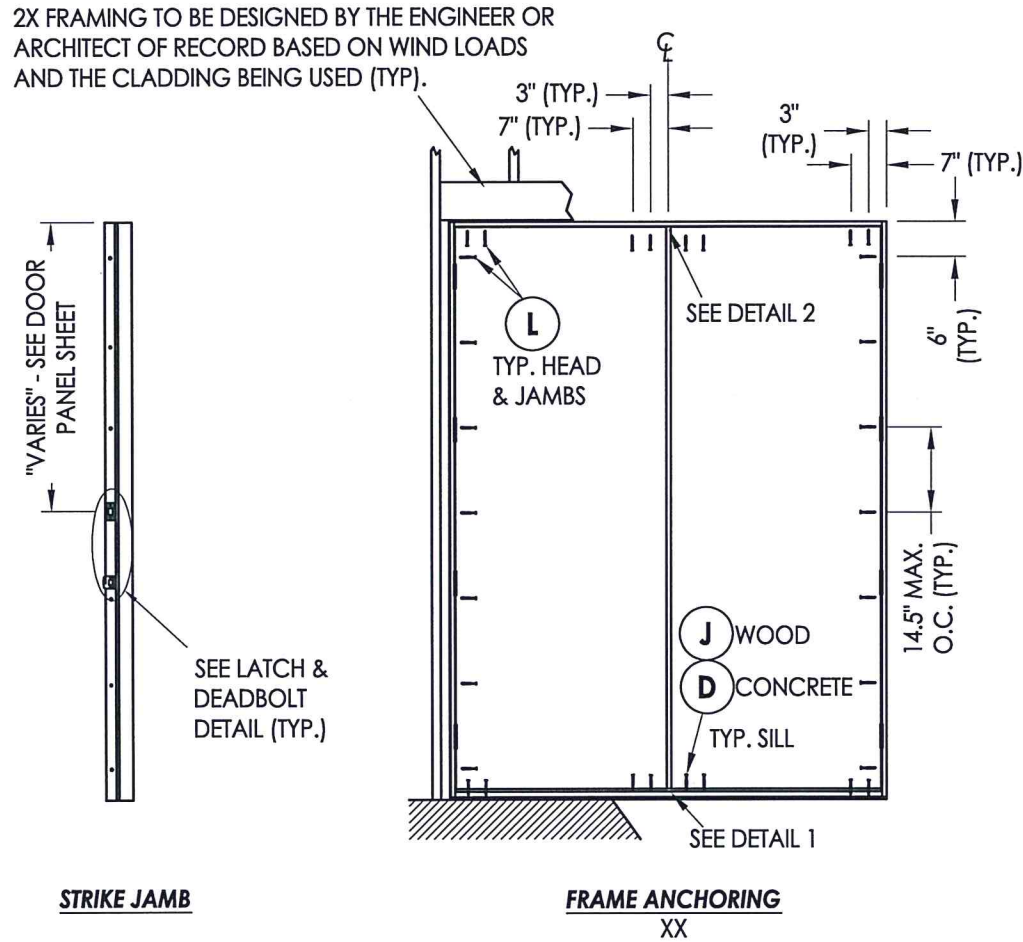
NO.	DATE	REVISIONS	BY
3	10/26/21	UPDATE TO 2018 IBC/IRC	LFS
2	5/31/18	ADD FLAT FRAME LITE PROFILE	LFS
1	12/14/15	ADD H.S. GLAZING OPTION	JK

DATE:	6/13/13
SCALE:	N.T.S.
DWG. BY:	JK
CHK. BY:	LFS
DRAWING NO.:	TX-4376
SHEET	6 of 9





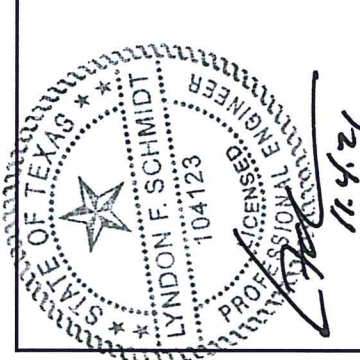
FLOOR SUBSTRATE MATERIAL (TYP.)  
 CONCRETE (MIN. 3000 PSI)  
 WOOD (G >= 0.42)



**CONCRETE ANCHOR NOTES:**

- Concrete anchor locations at the corners may be adjusted to maintain the min. edge distance to mortar joints.
- Concrete anchor locations noted as "MAX. ON CENTER" must be adjusted to maintain the min. edge distance to mortar joints, additional concrete anchors may be required to ensure the "MAX. ON CENTER" dimension are not exceeded.
- Concrete anchor table:

ANCHOR TYPE	ANCHOR SIZE	MIN. EMBEDMENT	MIN. CLEARANCE TO MASONRY EDGE	MIN. CLEARANCE TO ADJACENT ANCHOR
ITW TAPCON®	1/4"	1-3/4"	1-1/2"	4"
DeWALT ULTRACON®	1/4"	1-3/4"	1"	3"



Documents Prepared By: Lyndon F. Schmidt, P.E.  
 TEXAS P.E. #104123

**RW** BUILDING CONSULTANTS, INC.  
 P.O. Box 230 Vairico FL 33595  
 Phone No.: 813.659.9197

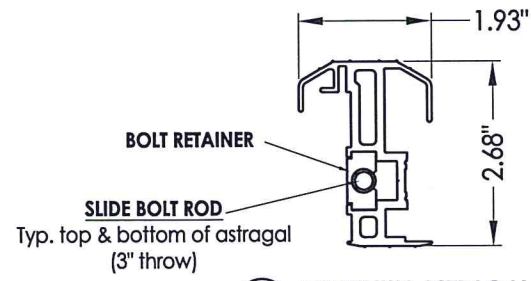
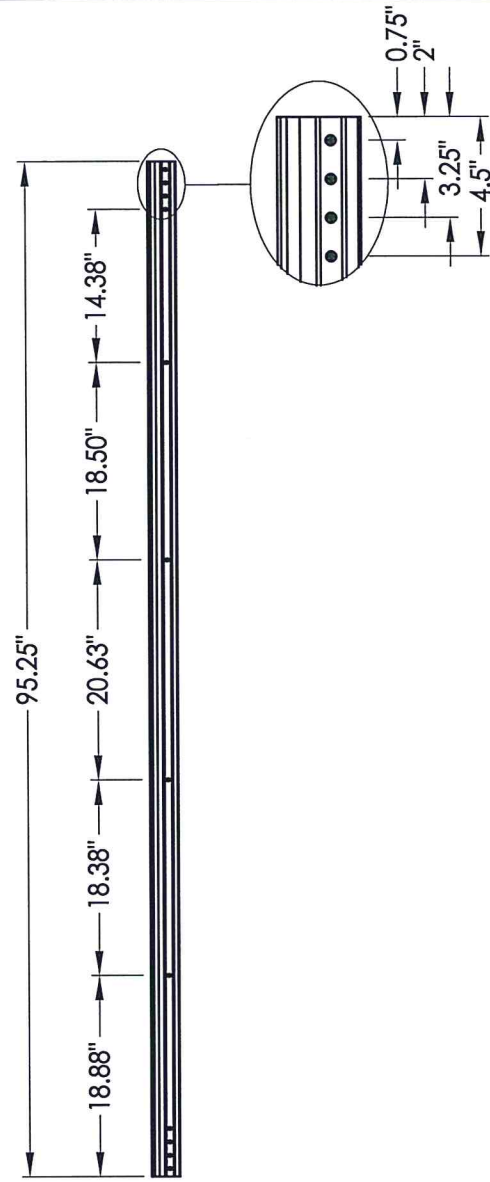
TEXAS BOARD OF PROFESSIONAL ENGINEERS  
 CERTIFICATE OF REGISTRATION # F-11852

PRODUCT: FIBERGLASS DOOR  
 PART OR ASSEMBLY: FRAME ANCHORING

NO.	DATE	REVISIONS
3	10/26/21	UPDATE TO 2018 IBC/IRC
2	5/31/18	ADD FLAT FRAME LITE PROFILE
1	12/14/15	ADD H.S. GLAZING OPTION
		NO. DATE
		BY
		JK
		LFS

DATE: 6/13/13  
 SCALE: N.T.S.  
 DWG. BY: JK  
 CHK. BY: LFS  
 DRAWING NO.: TX-4376  
 SHEET 7 OF 9

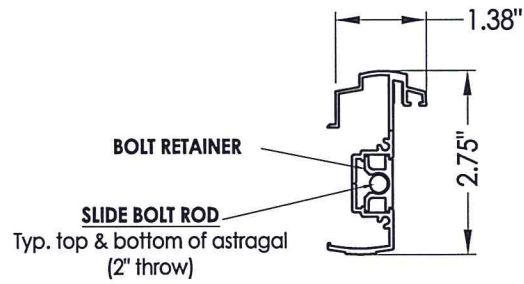
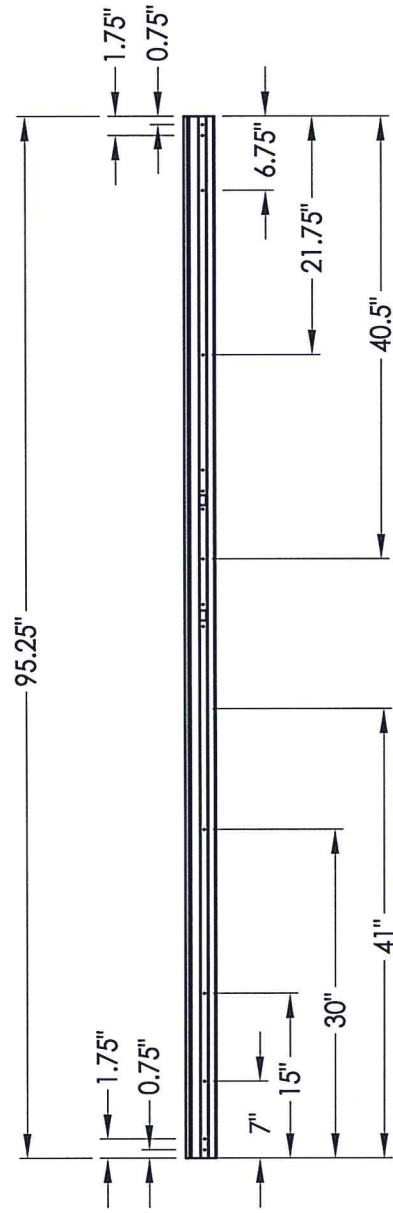
ASTRAGAL SCREW LOCATIONS



**61 ALUMINUM ASTRAGAL**  
Therma-Tru

8'0 ALUMINUM ASTRAGAL ASSEMBLY  
Therma-Tru

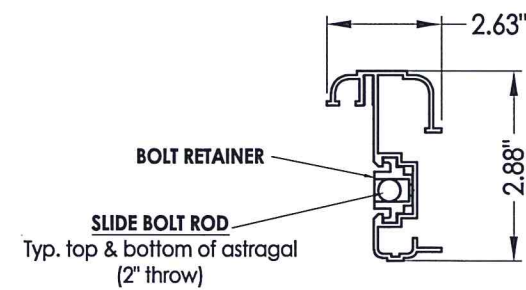
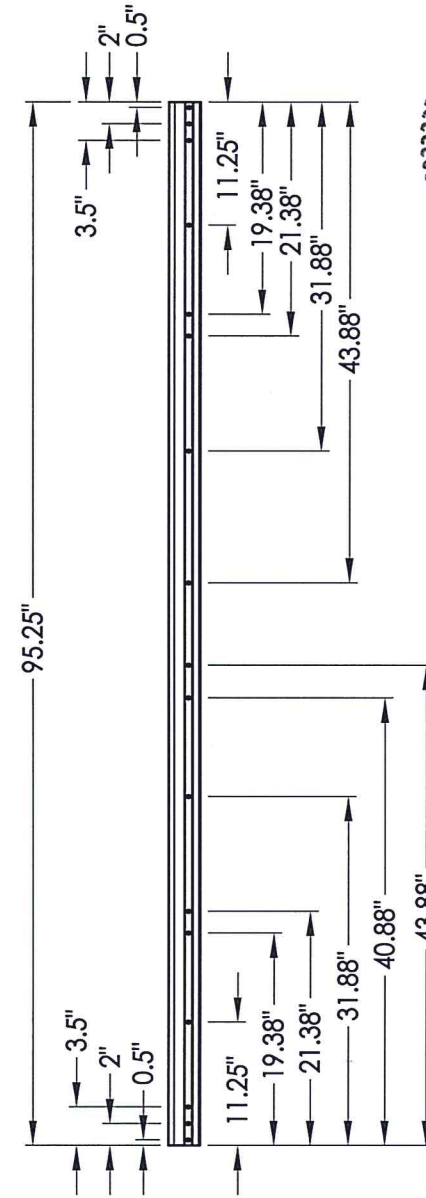
ASTRAGAL SCREW LOCATIONS



**62 ASTRAGAL**  
Columbia

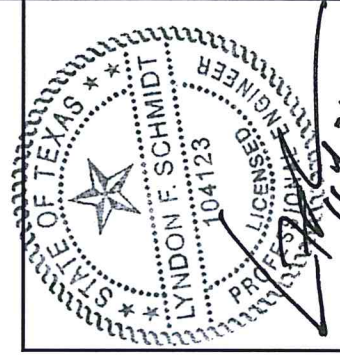
8'0 ALUMINUM ASTRAGAL ASSEMBLY  
Columbia

ASTRAGAL SCREW LOCATIONS



**63 ASTRAGAL**  
DLP

8'0 ALUMINUM ASTRAGAL ASSEMBLY  
DLP



Documents Prepared By: Lyndon F. Schmidt, P.E.  
TEXAS P.E. #104123

**RW** BUILDING CONSULTANTS, INC.  
P.O. Box 230 Valrico, FL 33595  
Phone No.: 813.659.9197

TEXAS BOARD OF PROFESSIONAL ENGINEERS  
CERTIFICATE OF REGISTRATION # F-11852

PRODUCT:		FIBERGLASS DOOR	
PART OR ASSEMBLY:		ASTRAGAL DETAILS	
NO.	DATE	REVISIONS	BY
3	10/26/21	UPDATE TO 2018 IBC/IRC	LFS
2	5/31/18	ADD FLAT FRAME LITE PROFILE	LFS
1	12/14/15	ADD H.S. GLAZING OPTION	JK

DATE: 6/13/13

SCALE: N.T.S.

DWG. BY: JK

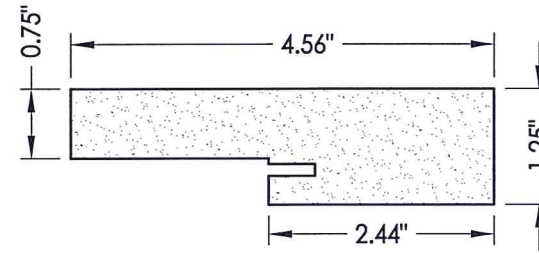
CHK. BY: LFS

DRAWING NO.: TX-4376

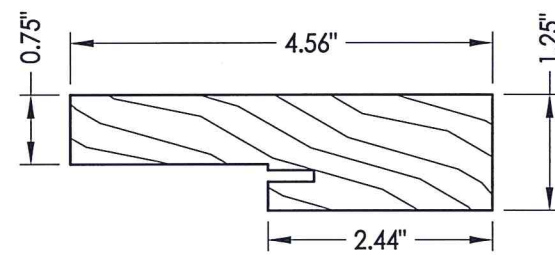
SHEET 8 OF 9



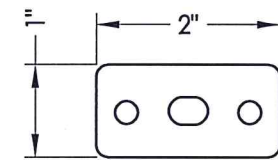
BILL OF MATERIALS		
ITEM #	DESCRIPTION	MATERIAL
B	2X FRAMING (G >= 0.42)	WOOD
C	1/4" MAX. SHIM SPACE	-
D	1/4" PFH DeWALT OR ITW CONCRETE SCREW (1-3/4" MIN. EMB.)	STEEL
J	#10 X 3" PFH WOOD SCREW (1-1/2" MIN. EMB.)	STEEL
L	#10 X 2-1/2" PFH WOOD SCREW (1.15" MIN. EMB.)	STEEL
1	HEAD & JAMB	COMP
2	HEAD & JAMB	WOOD
7	WEATHERSTRIP	FOAM
8	DOOR BOTTOM SWEEP	VINYL
9	4" X 4" HINGE	STEEL
11	#9 X 3/4" PFH WOOD SCREW	STEEL
27	LATCH STRIKE PLATE	STEEL
28	DEADBOLT STRIKE PLATE	STEEL
31	ADA THRESHOLD	ALUM
34	INSWING THRESHOLD	ALUM/COMP
35	INSWING THRESHOLD	ALUM/COMP
36	INSWING THRESHOLD	ALUM/COMP
40	DOOR PANEL - SEE DOOR PANEL DETAIL SHEET FOR DETAILS	-
57	#8 X 2" PFH SMS	STEEL
58	#8 X 2-1/2" PFH WOOD SCREW	STEEL
61	ASTRAGAL (THERMA-TRU)	ALUM
62	ASTRAGAL (COLUMBIA)	ALUM
63	ASTRAGAL (DLP)	ALUM
65	ASTRAGAL STRIKE PLATE	STEEL



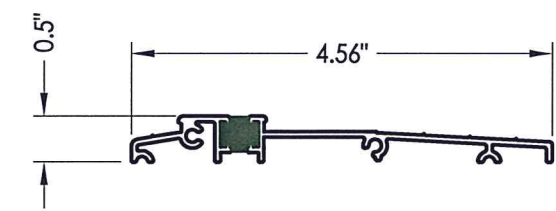
1 HEAD & JAMB  
Composite



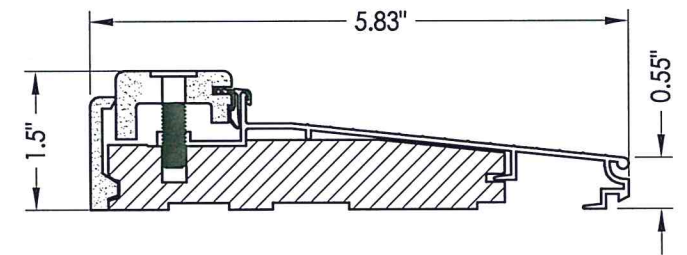
2 HEAD & JAMB  
Finger joint pine



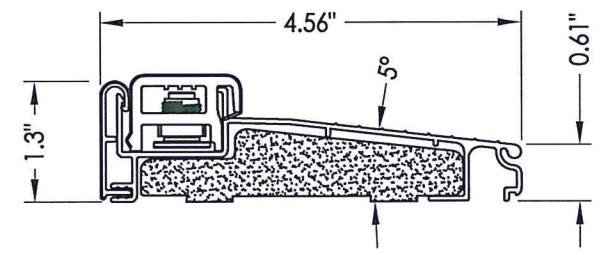
65 HEAD & SILL STRIKE PLATE



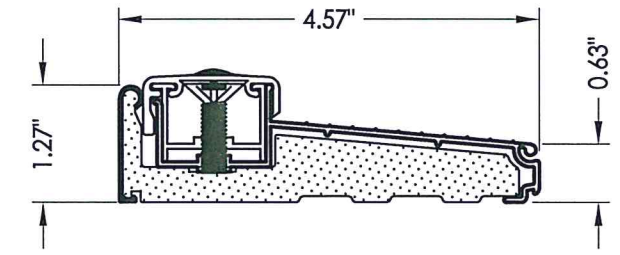
31 ADA THRESHOLD  
Columbia



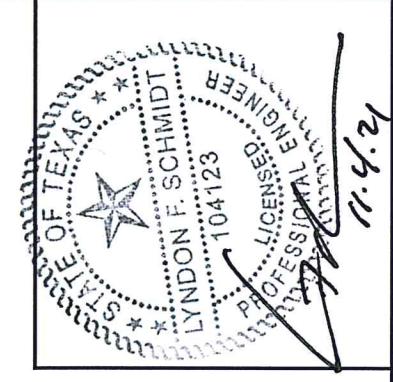
34 INSWING THRESHOLD  
Therma-Tru



35 INSWING THRESHOLD  
Endura ZAIL 4565  
with Composite Substrate



36 INSWING THRESHOLD  
Columbia 900 Series



Documents Prepared By: Lyndon F. Schmidt, P.E.  
TEXAS P.E. #104123

**RW** BUILDING CONSULTANTS, INC.  
P.O. Box 230 Valrico FL, 33595  
Phone No.: 813.659.9197

TEXAS BOARD OF PROFESSIONAL ENGINEERS  
CERTIFICATE OF REGISTRATION # F-11852

PRODUCT: FIBERGLASS DOOR

PART OR ASSEMBLY: BILL OF MATERIALS & COMPONENTS

NO.	DATE	BY	REVISIONS
3	10/26/21	LFS	UPDATE TO 2018 IBC/IRC
2	5/31/18	JK	ADD FLAT FRAME LITE PROFILE
1	12/14/15	JK	ADD H.S. GLAZING OPTION

DATE: 6/13/13

SCALE: N.T.S.

DWG. BY: JK

CHK. BY: LFS

DRAWING NO.: TX-4376

SHEET 9 OF 9