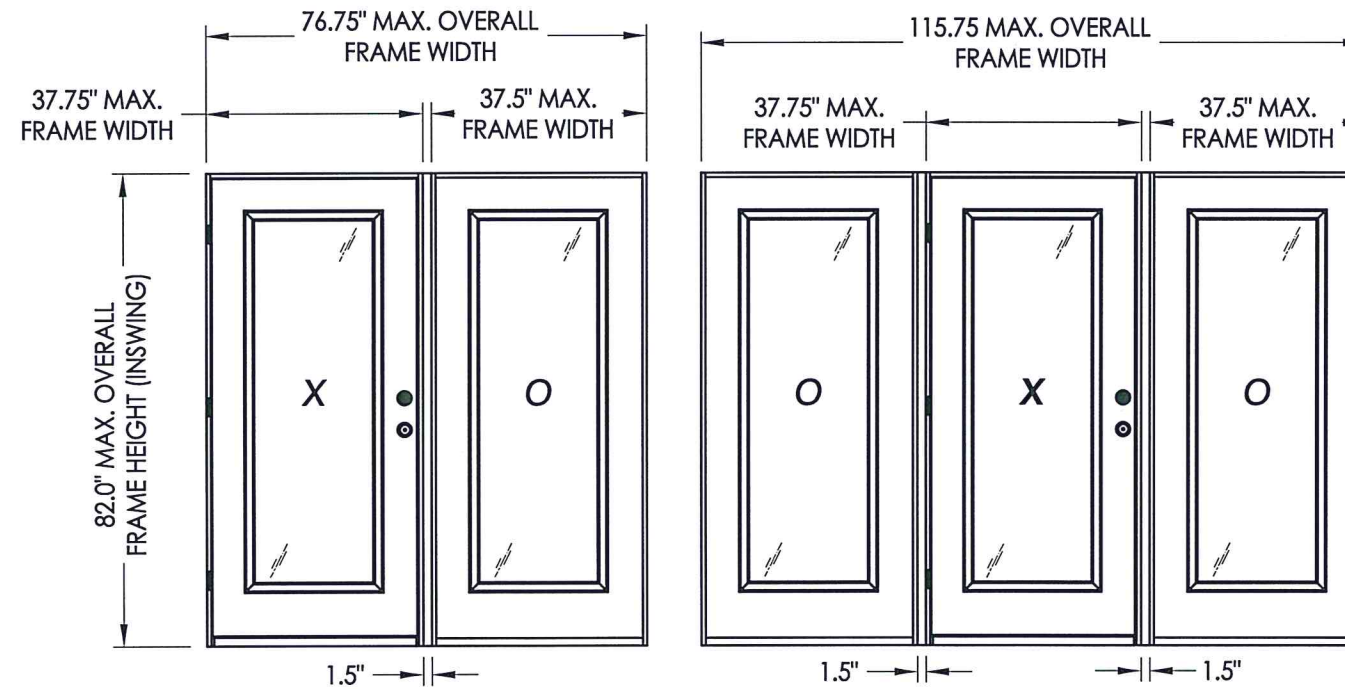
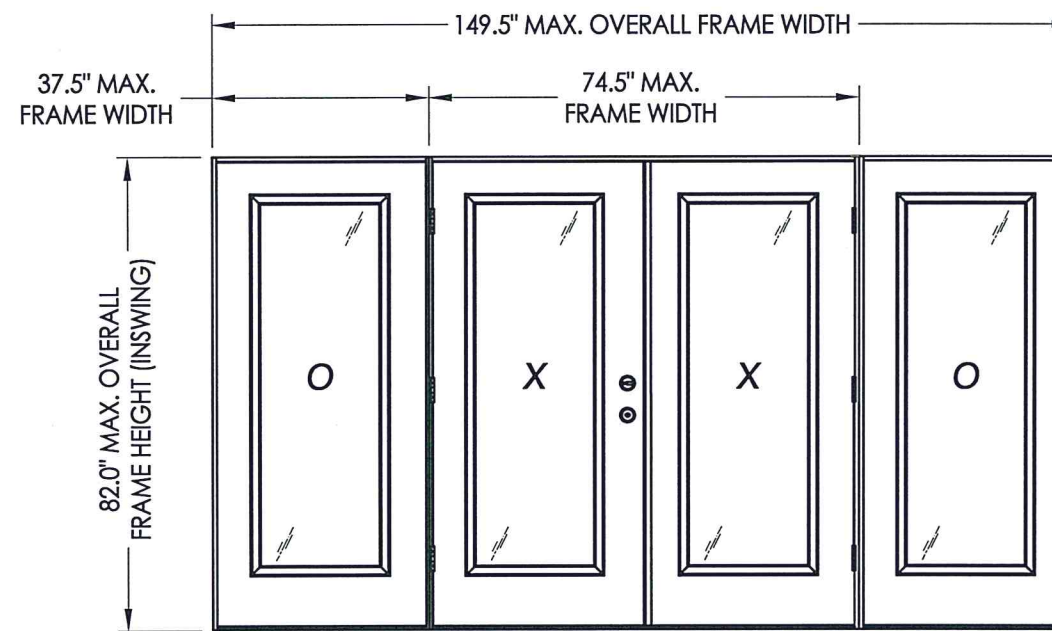




215 EAST ROOSEVELT AVE.
ZEELAND, MI 49464

FIBERGLASS ENTRY DOOR INSWING "IMPACT"



EVALUATED FOR USE IN THE STATE OF TEXAS

TDI DR-692

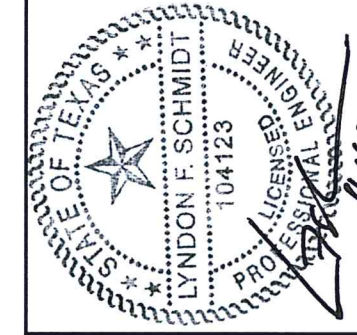
The Fiberglass Door system described herein complies with the 2018 International Residential Code (IRC), Sections R301 & R609 and the 2018 International Building Code (IBC), Sections 1404.13, 1609, 1709.5, 2403 and 2404 subject to the following conditions:

1. Anchors shall be as listed and spaced as shown in the details. Anchor embedment to base material shall be beyond wall dressing or stucco.
2. This system has been tested and evaluated as a large missile impact protective system for installation in areas that require wind borne debris protection. This product meets missile level "D" as defined in ASTM E 1996.
3. Allowable design pressure requirements must be equal to or less than the design pressure rating shown in the design pressure chart, sheet 1 of this drawing.
4. Conditions not covered by this drawing are subject to further engineering analysis.

TABLE OF CONTENTS

SHEET #	DESCRIPTION
1	Typical elevations, design pressures & general notes
2	Door/Sidelite panel details
3	Lite frame and glazing details
4	Elevations & hardware table
5	Horizontal cross sections
6	Vertical cross sections
7	Frame anchoring
8	Astragal details
9	Bill of materials & components

CONFIGURATION	MAX. FRAME DIMENSION	DESIGN PRESSURE (PSF) INSWING	
		POSITIVE	NEGATIVE
OX/XO	76.75" x 82.0"	+45.0	-50.0
OXO	115.75" x 82.0"	+45.0	-50.0
OXXO	149.5" x 82.0"	+45.0	-50.0



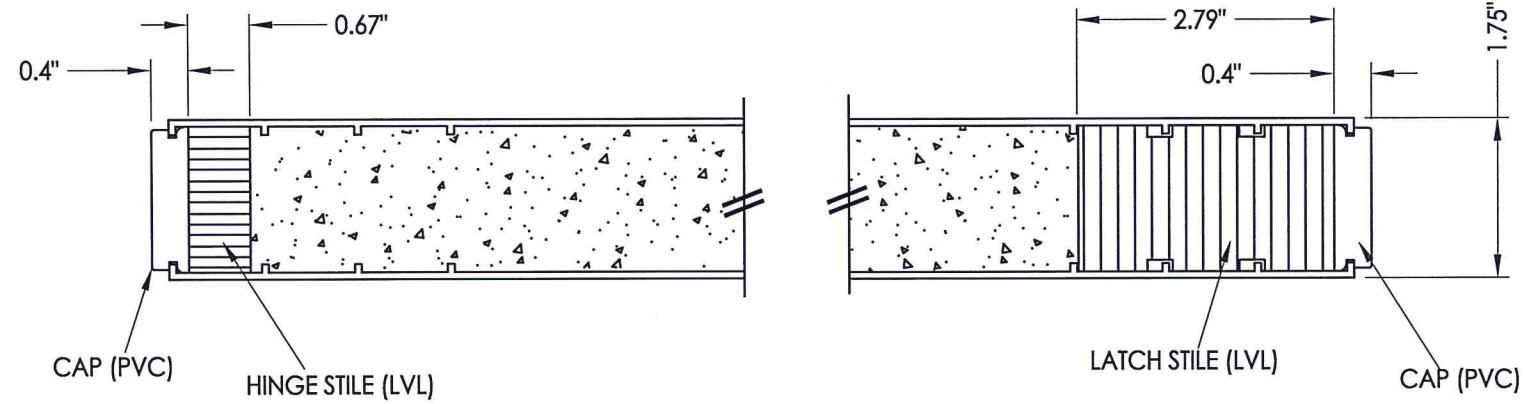
Documents Prepared By: Lyndon F. Schmidt, P.E.
TEXAS P.E. #104123

RW BUILDING CONSULTANTS, INC.
P.O. Box 230 Valrico FL, 33595
Phone No.: 813.659.9197
TEXAS BOARD OF PROFESSIONAL ENGINEERS
CERTIFICATE OF REGISTRATION # F-11852

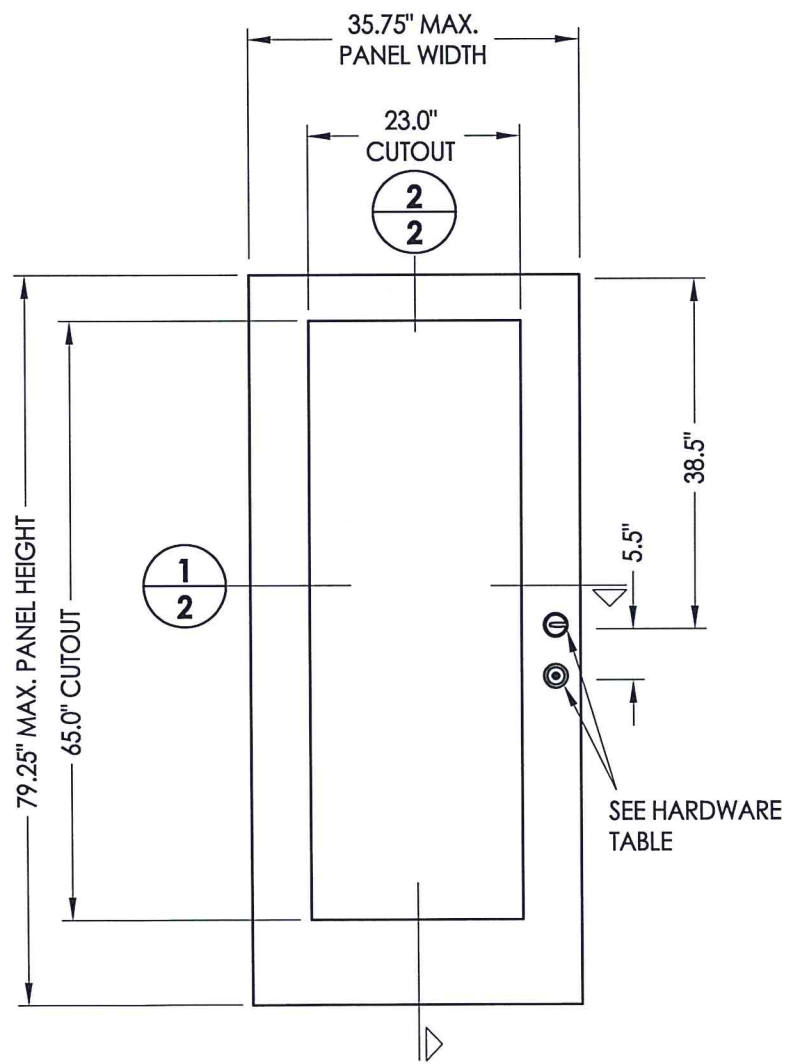
PRODUCT: FIBERGLASS DOOR
PART OR ASSEMBLY:
TYPICAL ELEVATION, DESIGN PRESSURES & GENERAL NOTES

NO.	DATE	REVISIONS
3	10/26/21	UPDATE TO 2018 IRC/IBC
2	5/31/18	ADD FLAT FRAME LITE PROFILE
1	12/14/15	ADD H.S. GLAZING OPTION

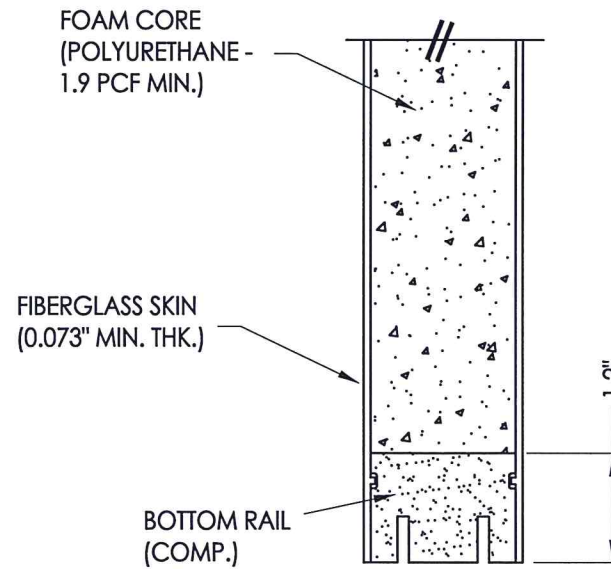
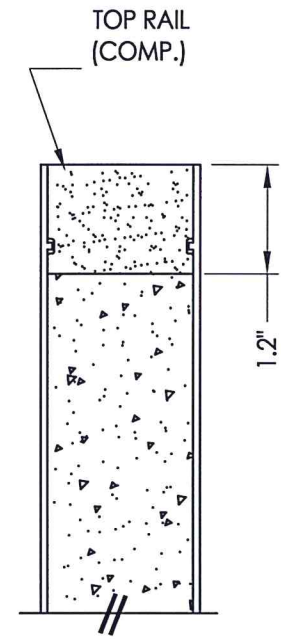
DATE: 6/13/13
SCALE: N.T.S.
DWG. BY: JK
CHK. BY: LFS
DRAWING NO.: TX-4373
SHEET 1 OF 9



1
2 HORIZONTAL CROSS SECTION



- 40** DOOR PANEL
Plastpro
- 50** SIDELITE PANEL
Fiberglass (Plastpro)



2
2 VERTICAL CROSS SECTION



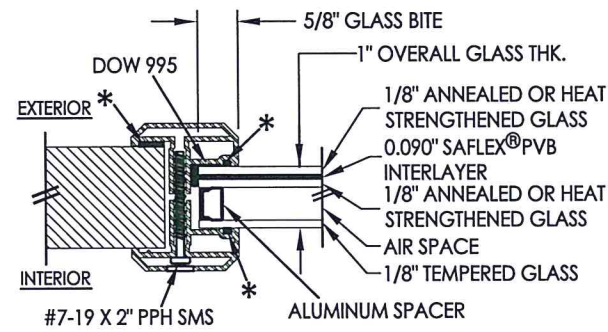
Documents Prepared By: Lyndon F. Schmidt, P.E.
TEXAS P.E. #104123

RW BUILDING CONSULTANTS, INC.
P.O. Box 230 Valrico FL, 33595
Phone No.: 813.659.9197
TEXAS BOARD OF PROFESSIONAL ENGINEERS
CERTIFICATE OF REGISTRATION # F-11852

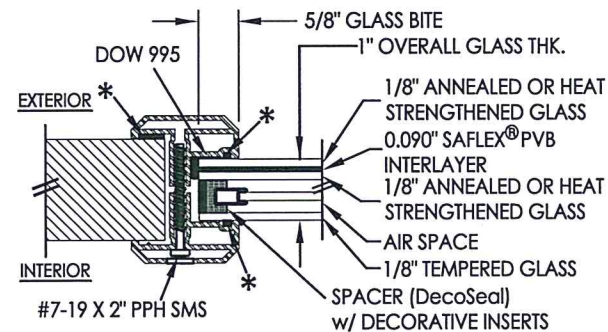
PRODUCT: FIBERGLASS DOOR
PART OR ASSEMBLY: DOOR/SIDELITE PANEL DETAILS

NO.	DATE	REVISIONS
3	10/26/21	UPDATE TO 2018 IBC/IRC
2	5/31/18	ADD FLAT FRAME LITE PROFILE
1	12/14/15	ADD H.S. GLAZING OPTION
		BY

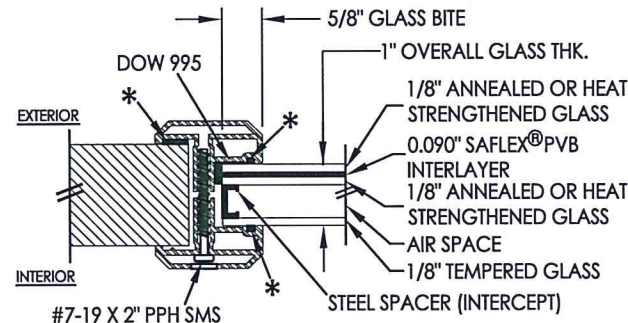
DATE: 6/13/13
SCALE: N.T.S.
DWG. BY: JK
CHK. BY: LFS
DRAWING NO.: TX-4373
SHEET 2 OF 9



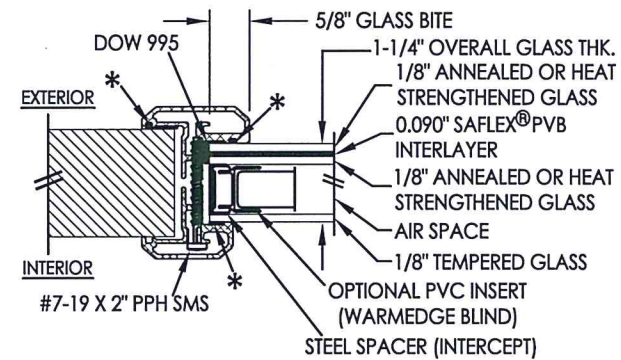
G1 GLAZING DETAIL
Flat Frame Profile



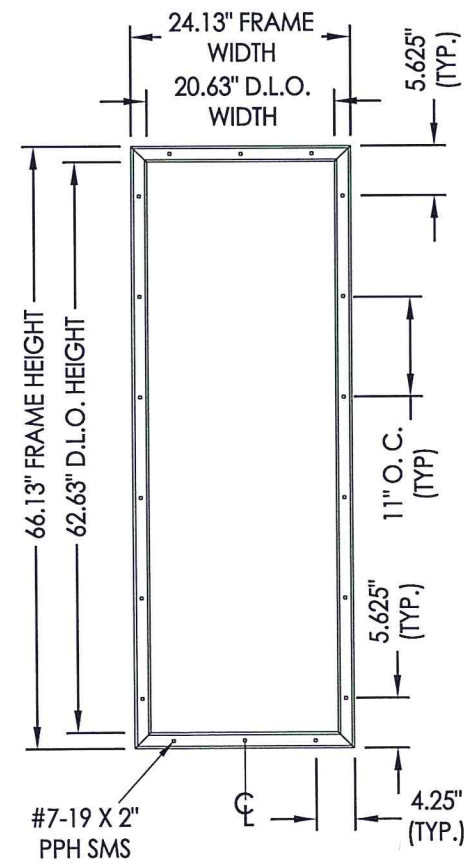
G3 GLAZING DETAIL
Flat Frame Profile



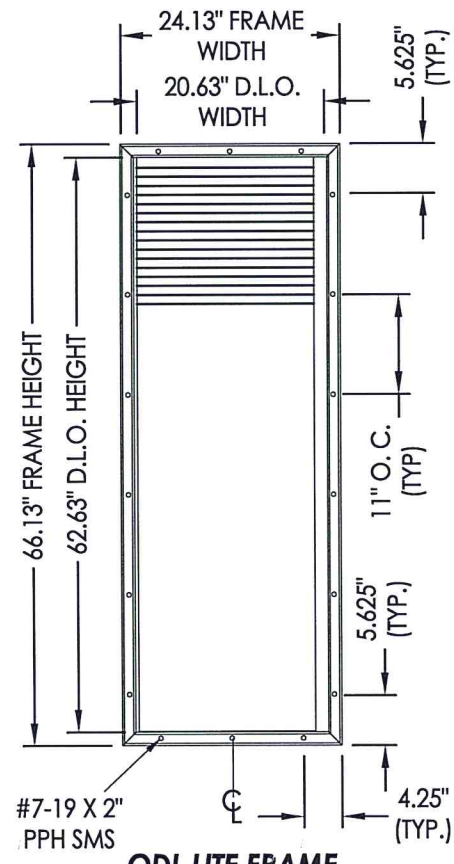
G2 GLAZING DETAIL
Flat Frame Profile



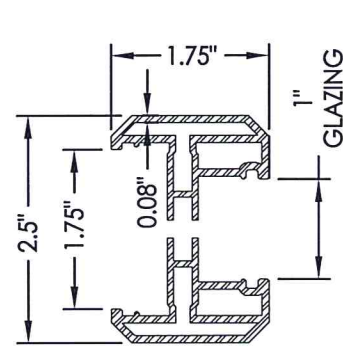
G4 GLAZING DETAIL
Flat Frame Profile
w/ Blinds Between Glass



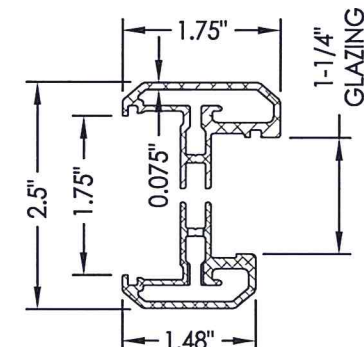
ODL LITE FRAME
"Flat Frame" Aluminum



ODL LITE FRAME
"Flat Frame" Aluminum
w/ Blinds Between Glass

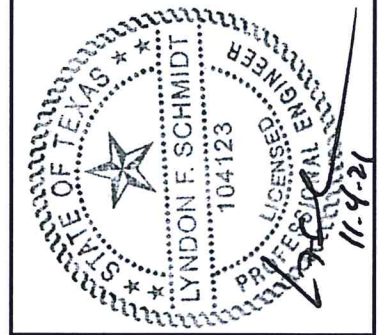


ODL LITE FLAT FRAME
1" GLAZING



ODL LITE FLAT FRAME
1-1/4" GLAZING

* NON-STRUCTURAL
BACKBEDDING
(READI-SEAL)



Documents Prepared By: Lyndon F. Schmidt, P.E.
TEXAS P.E. #104123

RW BUILDING CONSULTANTS, INC.
P.O. Box 230 Valrico FL 33595
Phone No.: 813.659.9197
TEXAS BOARD OF PROFESSIONAL ENGINEERS
CERTIFICATE OF REGISTRATION # F-11852

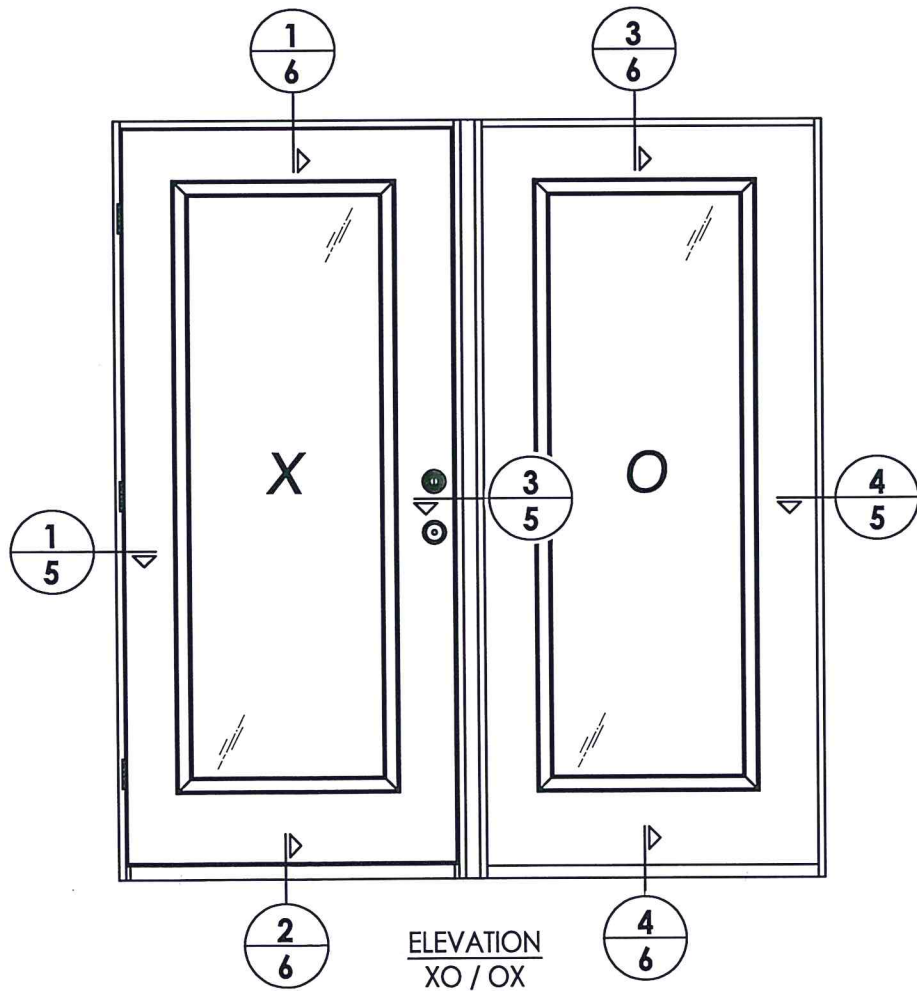
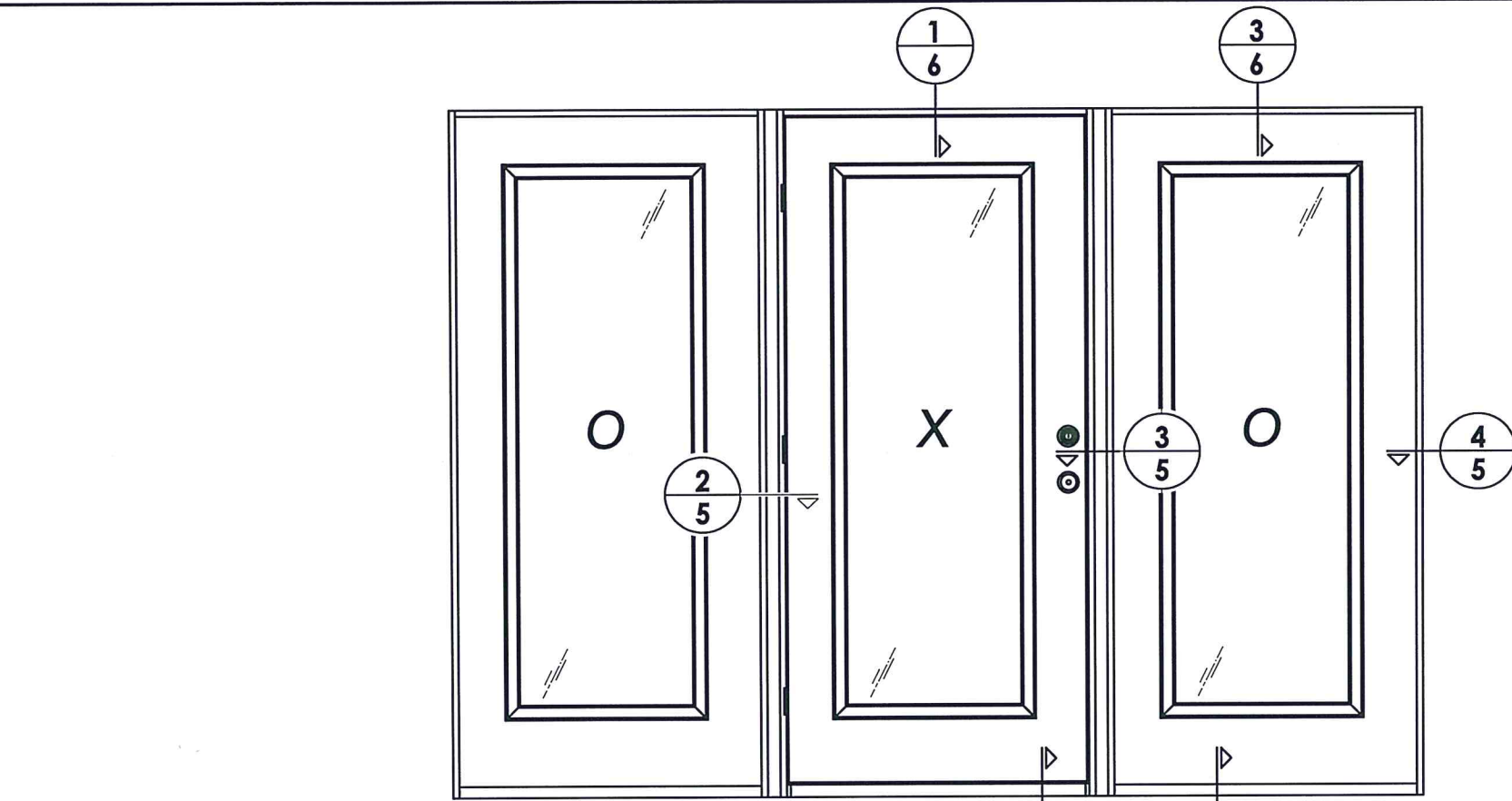
PRODUCT: FIBERGLASS DOOR

PART OR ASSEMBLY:

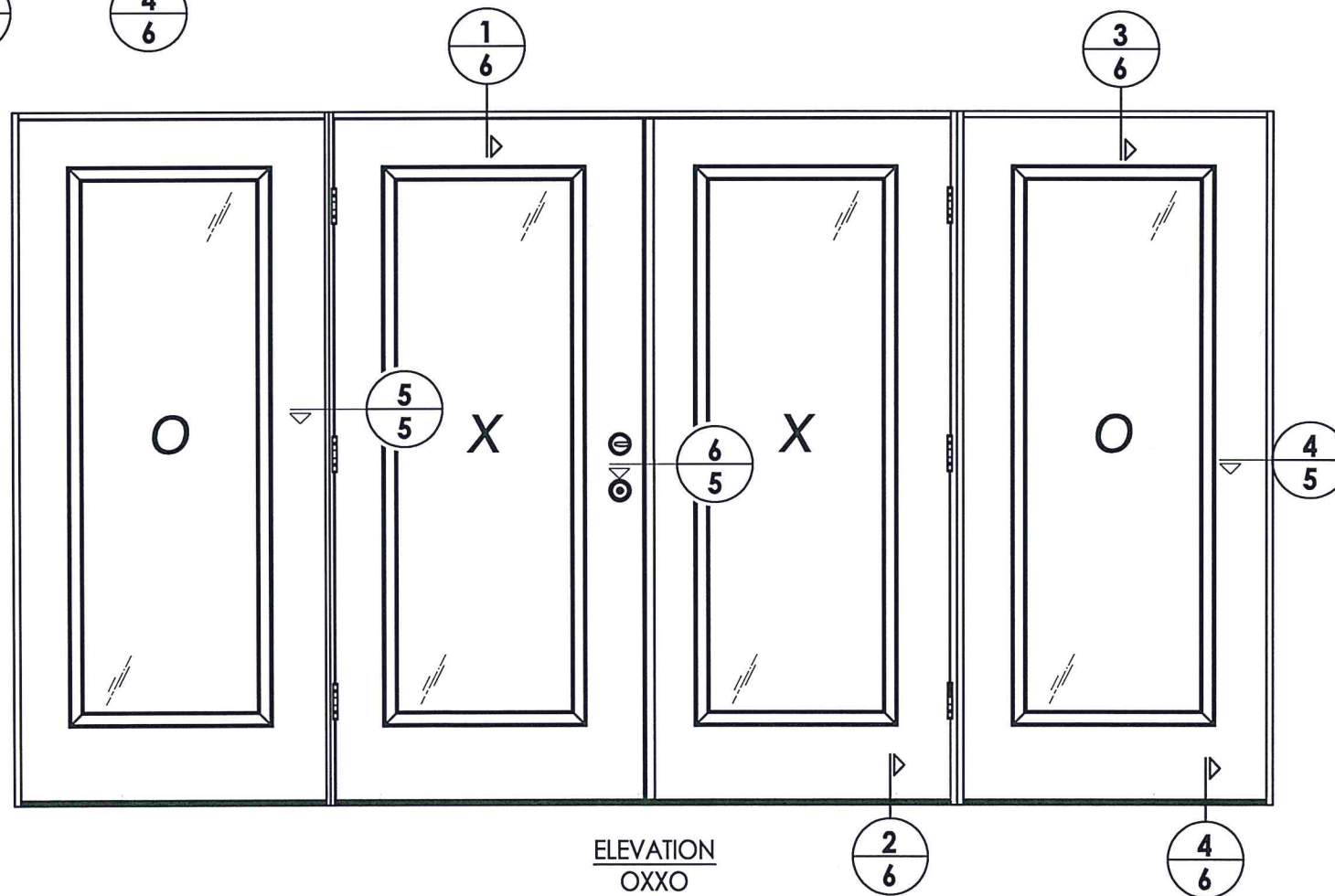
LITE FRAME &
GLAZING DETAILS

NO.	DATE	BY	REVISIONS
3	10/26/21	LFS	UPDATE TO 2018 IBC/IRC
2	5/31/18	LFS	ADD FLAT FRAME LITE PROFILE
1	12/14/15	JK	ADD H.S. GLAZING OPTION

DATE:	6/13/13
SCALE:	N.T.S.
DWG. BY:	JK
CHK. BY:	LFS
DRAWING NO.:	TX-4373
SHEET	3 OF 9



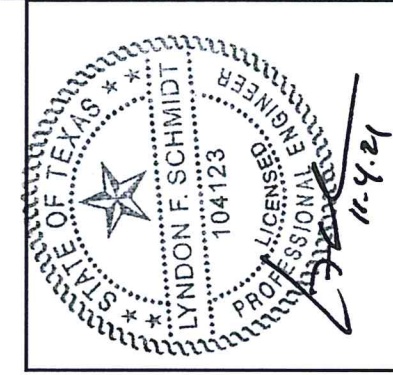
ELEVATION
OXO



ELEVATION
OXO

HARDWARE TABLE		
MANUFACTURER	MODEL	
KWIKSET	KNOB:	SIGNATURE SERIES
	DEADBOLT:	SIGNATURE SERIES (980)
SCHLAGE	KNOB:	"F" SERIES (F60)
	DEADBOLT:	"B" SERIES (B60/62)
PAMEX*	KNOB:	"FT" SERIES
	DEADBOLT:	"FD7" SERIES

* MAX. DESIGN PRESSURE FOR PAMEX LOCK
INSWING = +40/-50 PSF

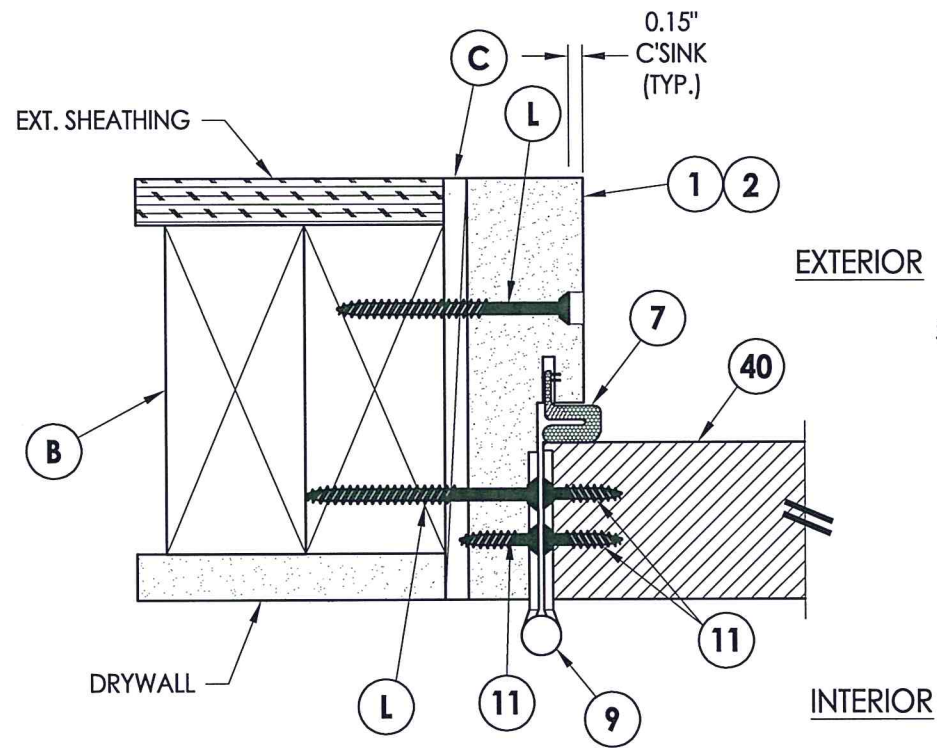


Documents Prepared By: Lyndon F. Schmidt, P.E.
TEXAS P.E. #104123

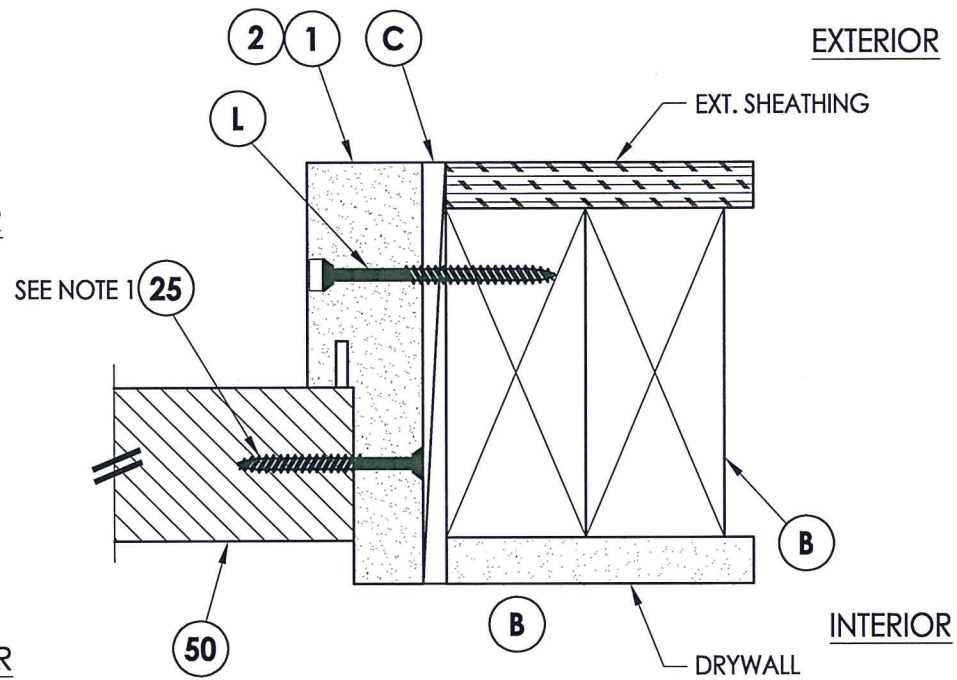
RW BUILDING CONSULTANTS, INC.
P.O. Box 230 Valrico FL 33595
Phone No.: 813.659.9197

TEXAS BOARD OF PROFESSIONAL ENGINEERS
CERTIFICATE OF REGISTRATION # F-11852

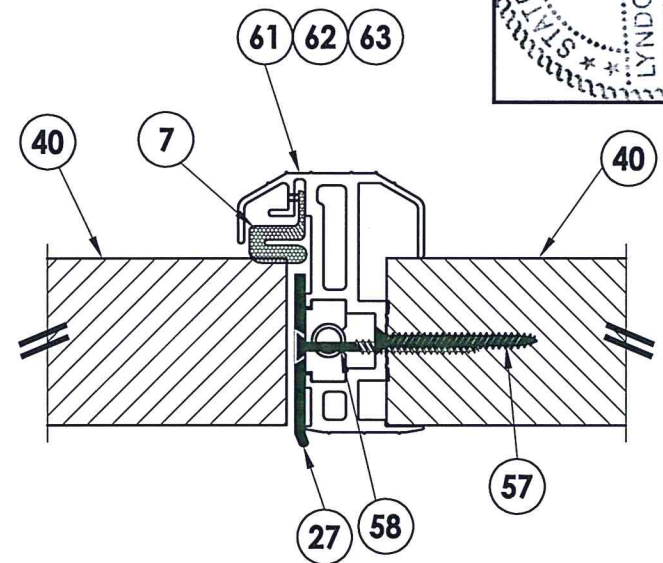
PRODUCT:	FIBERGLASS DOOR		
PART OR ASSEMBLY:	ELEVATIONS & HARDWARE TABLE		
DATE:	6/13/13		
SCALE:	N.T.S.		
DWG. BY:	JK		
CHK. BY:	LFS		
DRAWING NO.:	TX-4373		
SHEET	4 OF 9		
NO.	DATE	REVISIONS	BY
3	10/26/21	UPDATE TO 2018 IBC/IRC	LFS
2	5/31/18	ADD FLAT FRAME LITE PROFILE	LFS
1	12/14/15	ADD H.S. GLAZING OPTION	JK



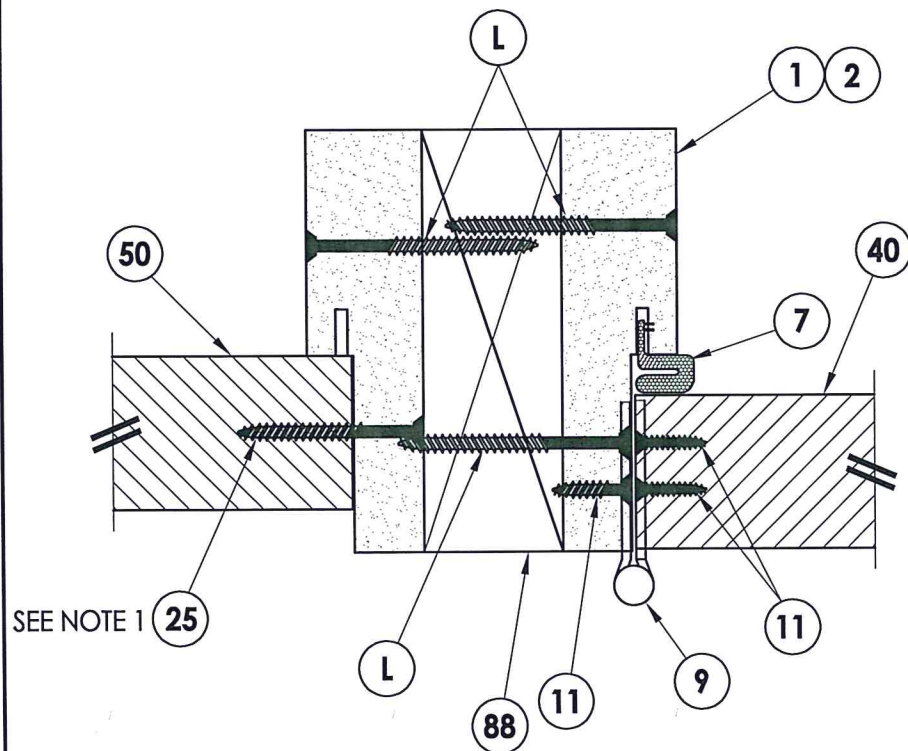
1
5 HORIZONTAL CROSS SECTION



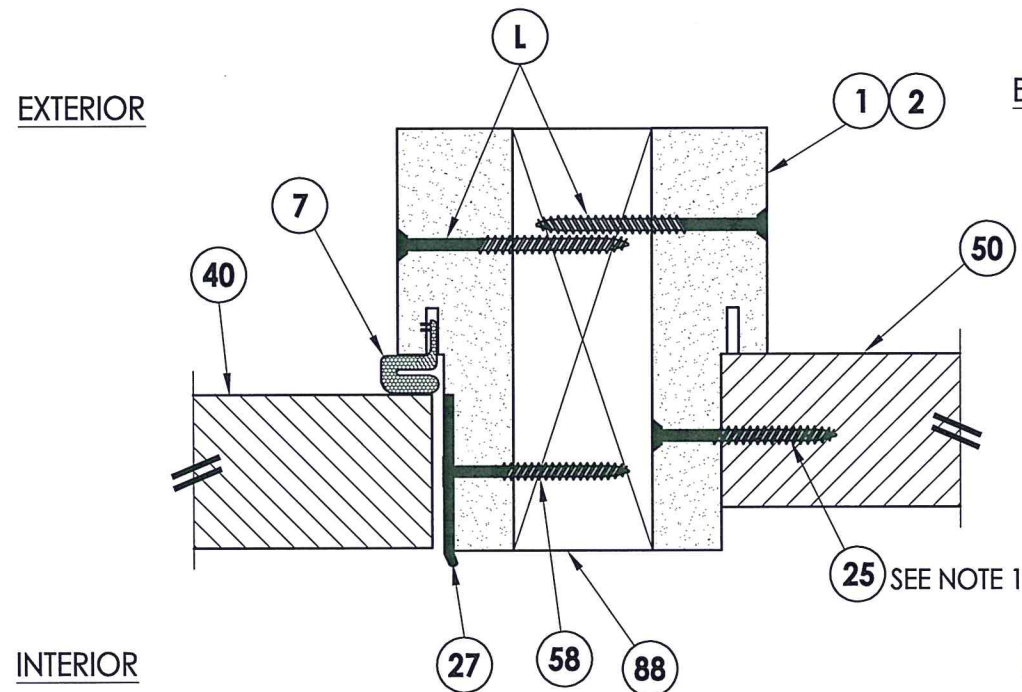
4
5 HORIZONTAL CROSS SECTION



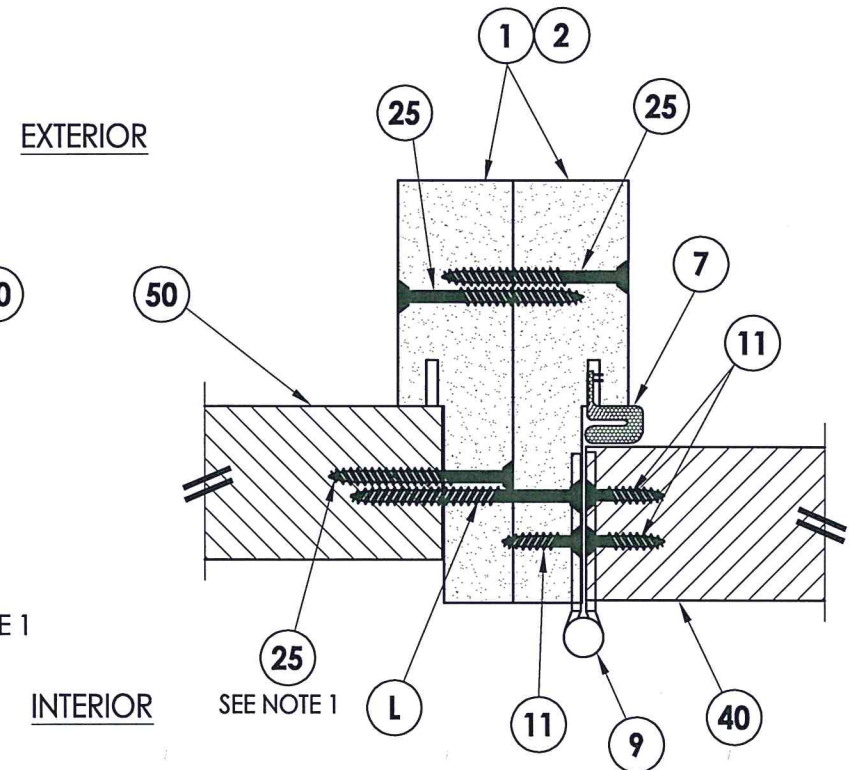
6
5 HORIZONTAL CROSS SECTION



2
5 HORIZONTAL CROSS SECTION

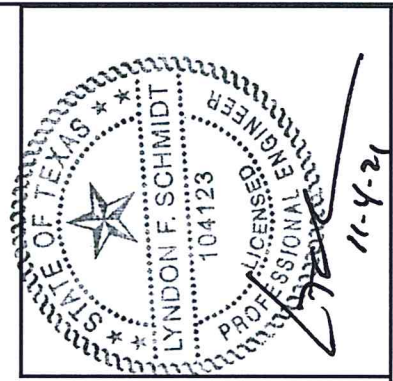


3
5 HORIZONTAL CROSS SECTION



5
5 HORIZONTAL CROSS SECTION

NOTE:
1. Sidelite panel screws located 6" from each end plus 4 more equally spaced (6 screws total).



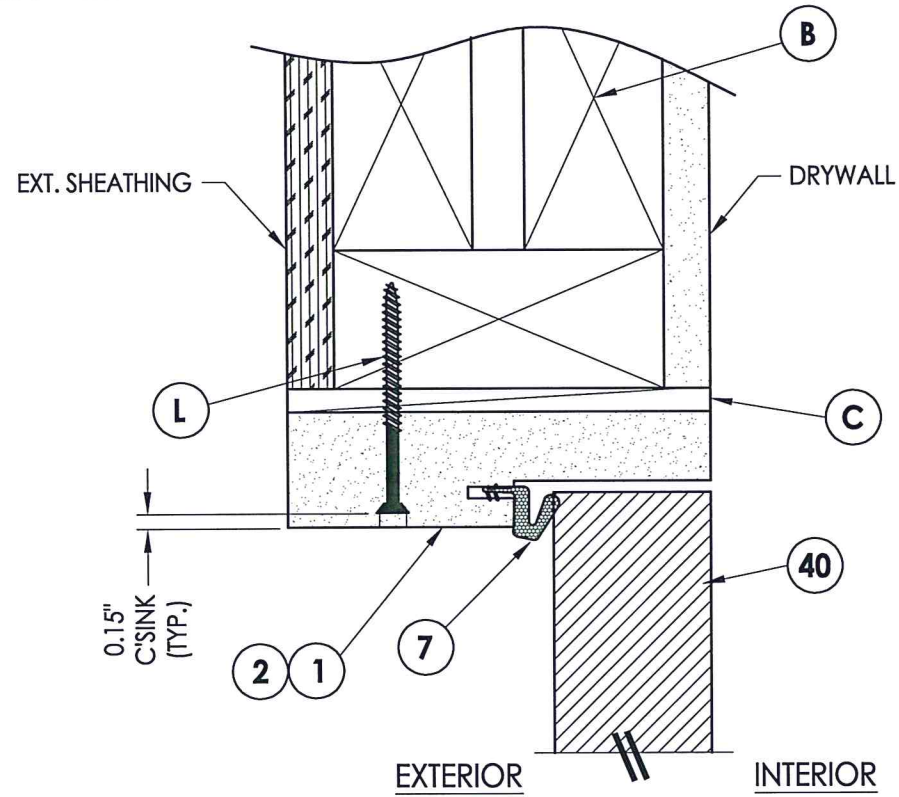
Documents Prepared By: Lyndon F. Schmidt, P.E.
TEXAS P.E. #104123

RW BUILDING CONSULTANTS, INC.
P.O. Box 230 Valrico FL, 33595
Phone No.: 813.659.9197
TEXAS BOARD OF PROFESSIONAL ENGINEERS
CERTIFICATE OF REGISTRATION # F-11852

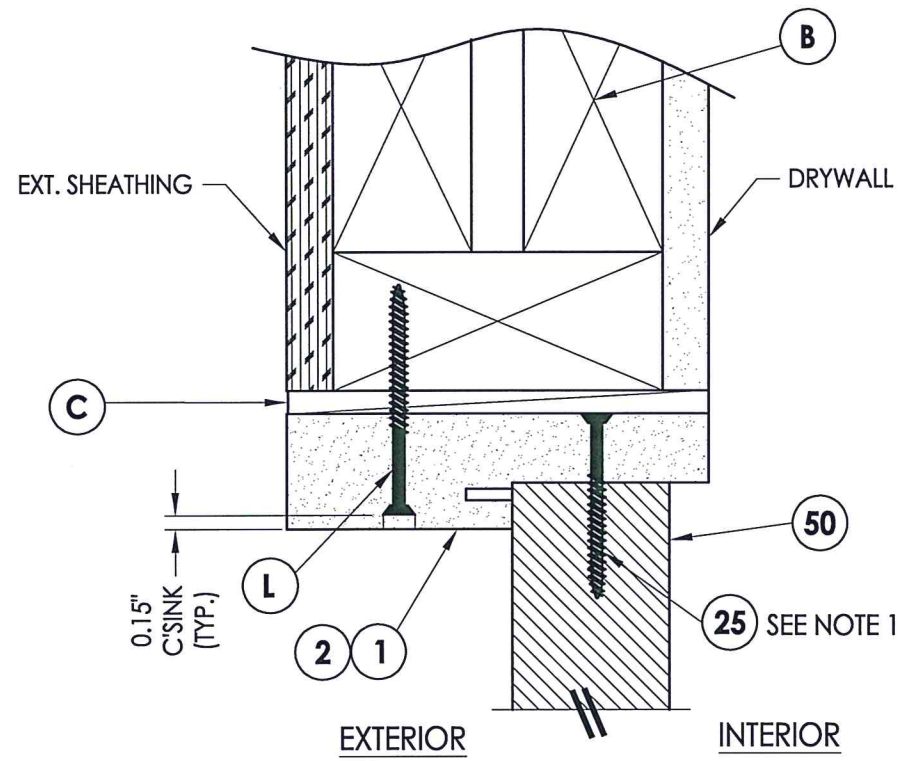
PRODUCT: FIBERGLASS DOOR
PART OR ASSEMBLY: HORIZONTAL CROSS SECTIONS

NO.	DATE	REVISIONS
3	10/26/21	UPDATE TO 2018 IBC/IRC
2	5/31/18	ADD FLAT FRAME LITE PROFILE
1	12/14/15	ADD H.S. GLAZING OPTION

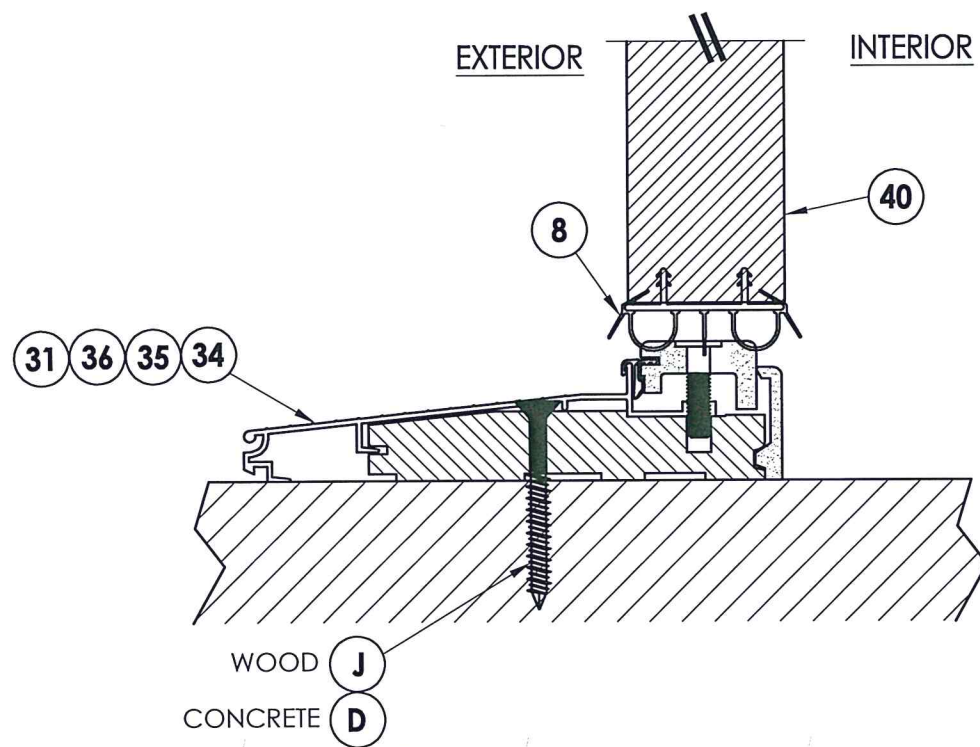
DATE: 6/13/13
SCALE: N.T.S.
DWG. BY: JK
CHK. BY: LFS
DRAWING NO.: TX-4373
SHEET 5 OF 9



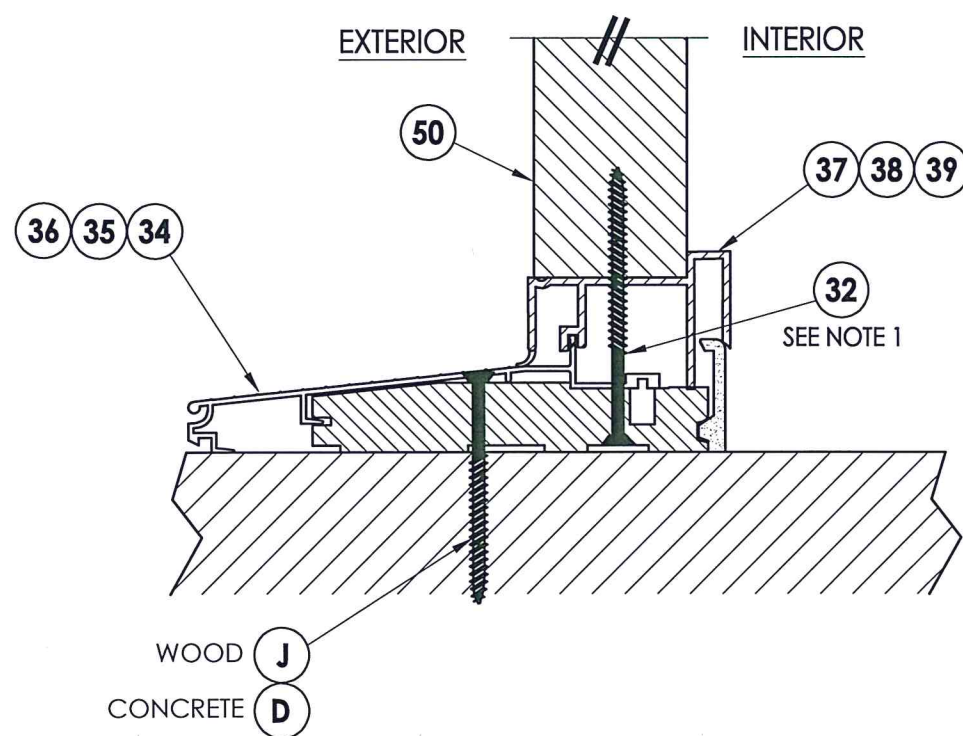
1
6 VERTICAL CROSS SECTION



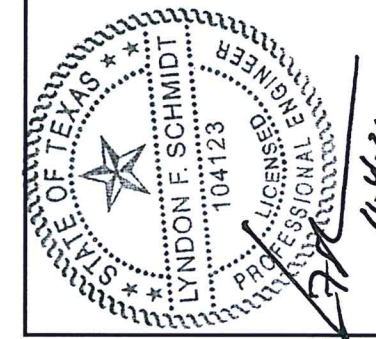
3
6 VERTICAL CROSS SECTION



2
6 VERTICAL CROSS SECTION



4
6 VERTICAL CROSS SECTION



NOTE:
1. Sidelite panel screws located 6" from each end (2 Total).

Documents Prepared By: Lyndon F. Schmidt, P.E.
TEXAS P.E. #104123

RW BUILDING CONSULTANTS, INC.
P.O. Box 230 Valrico FL, 33595
Phone No.: 813.659.9197

TEXAS BOARD OF PROFESSIONAL ENGINEERS
CERTIFICATE OF REGISTRATION # F-11852

PRODUCT:		FIBERGLASS DOOR	
PART OR ASSEMBLY:		VERTICAL CROSS SECTIONS	
NO.	DATE	BY	REVISIONS
3	10/26/21	LFS	UPDATE TO 2018 IBC/IRC
2	5/31/18	LFS	ADD FLAT FRAME LITE PROFILE
1	12/14/15	JK	ADD H.S. GLAZING OPTION
DATE: 6/13/13			
SCALE: N.T.S.			
DWG. BY: JK			
CHK. BY: LFS			
DRAWING NO.: TX-4373			
SHEET 6 OF 9			

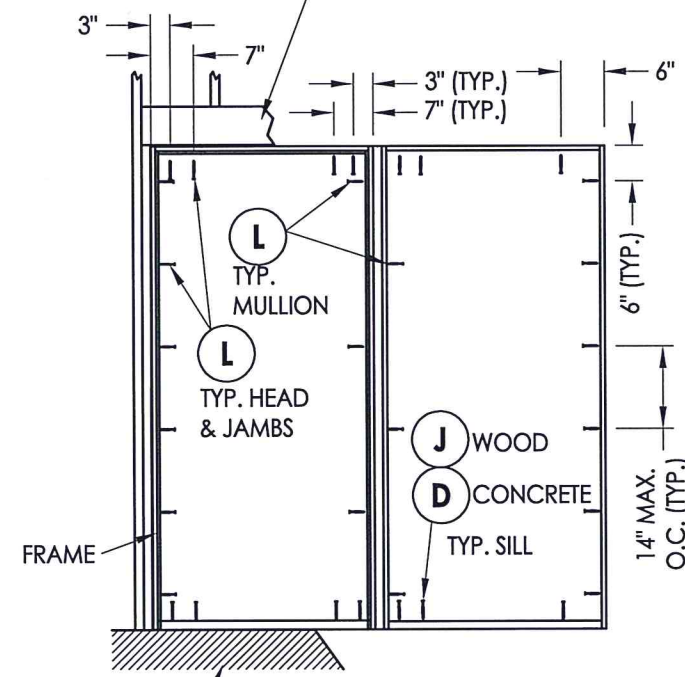
2X FRAMING TO BE DESIGNED BY THE ENGINEER OR ARCHITECT OF RECORD BASED ON WIND LOADS AND THE CLADDING BEING USED (TYP).



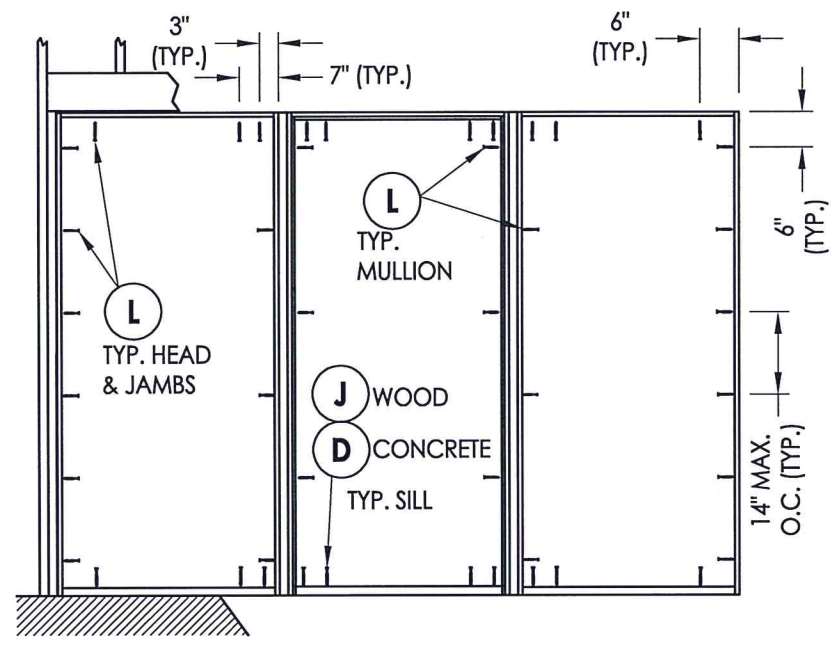
Documents Prepared By: Lyndon F. Schmidt, P.E.
TEXAS P.E. #104123

RW BUILDING CONSULTANTS, INC.
P.O. Box 230 Valrico FL 33595
Phone No.: 813.659.9197

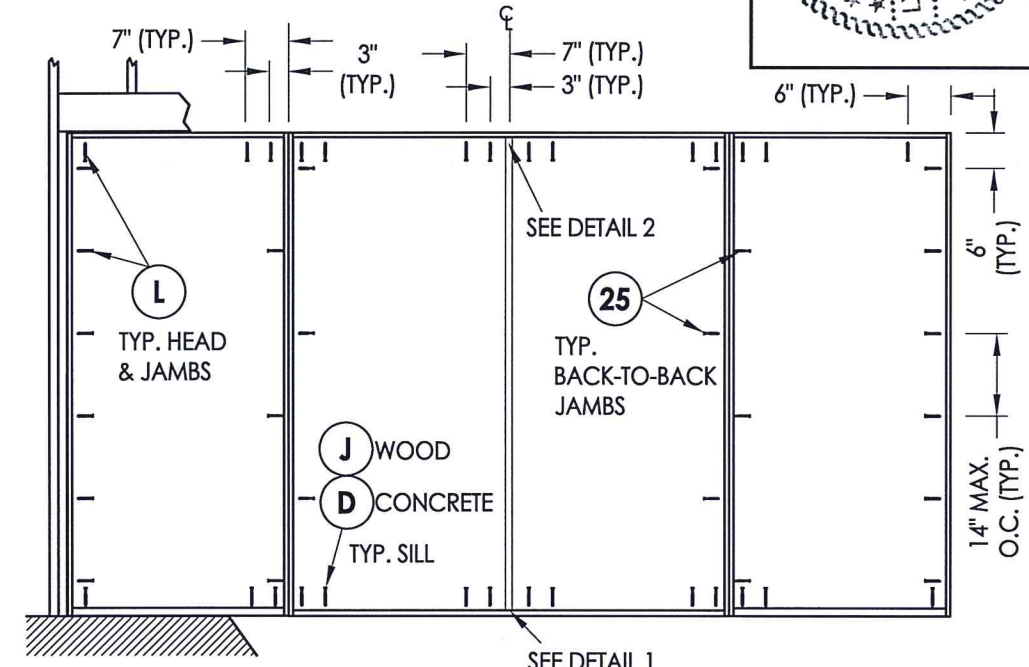
TEXAS BOARD OF PROFESSIONAL ENGINEERS
CERTIFICATE OF REGISTRATION # F-11852



FRAME ANCHORING
XO (shown)
OX (similar)

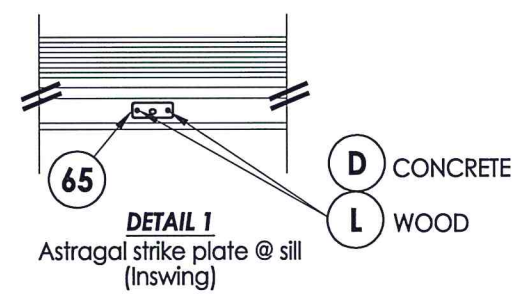


FRAME ANCHORING
OXO

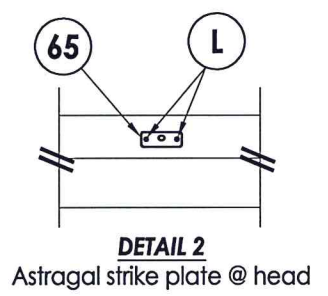


FRAME ANCHORING
OXOXO

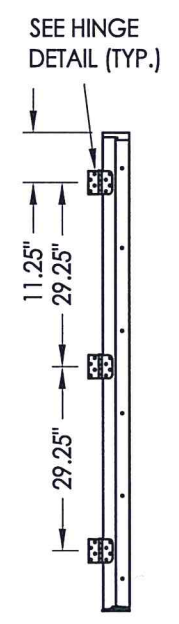
FLOOR SUBSTRATE MATERIAL (TYP.)
CONCRETE (MIN. 3000 PSI)
WOOD (G >= 0.42)



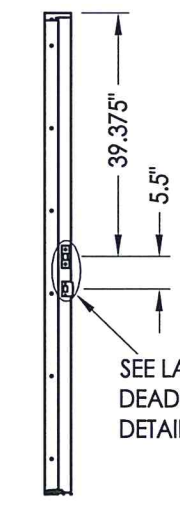
DETAIL 1
Astragal strike plate @ sill
(Inswing)



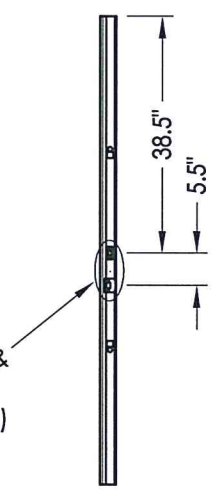
DETAIL 2
Astragal strike plate @ head



HINGE JAMB



STRIKE JAMB

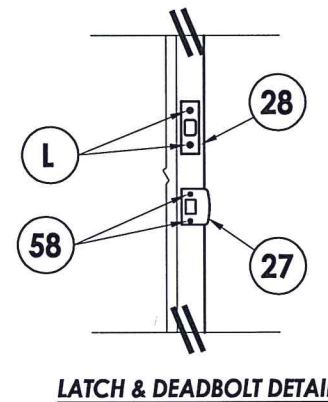


ASTRAGAL STRIKE

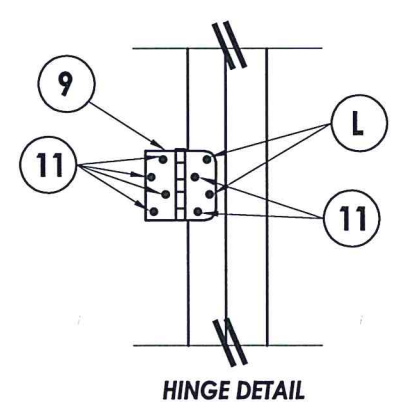
CONCRETE ANCHOR NOTES:

- Concrete anchor locations at the corners may be adjusted to maintain the min. edge distance to mortar joints.
- Concrete anchor locations noted as "MAX. ON CENTER" must be adjusted to maintain the min. edge distance to mortar joints, additional concrete anchors may be required to ensure the "MAX. ON CENTER" dimension are not exceeded.
- Concrete anchor table:

ANCHOR TYPE	ANCHOR SIZE	MIN. EMBEDMENT	MIN. CLEARANCE TO MASONRY EDGE	MIN. CLEARANCE TO ADJACENT ANCHOR
ITW TAPCON®	1/4"	1-3/4"	1-1/2"	4"
DeWALT ULTRACON®	1/4"	1-3/4"	1"	3"

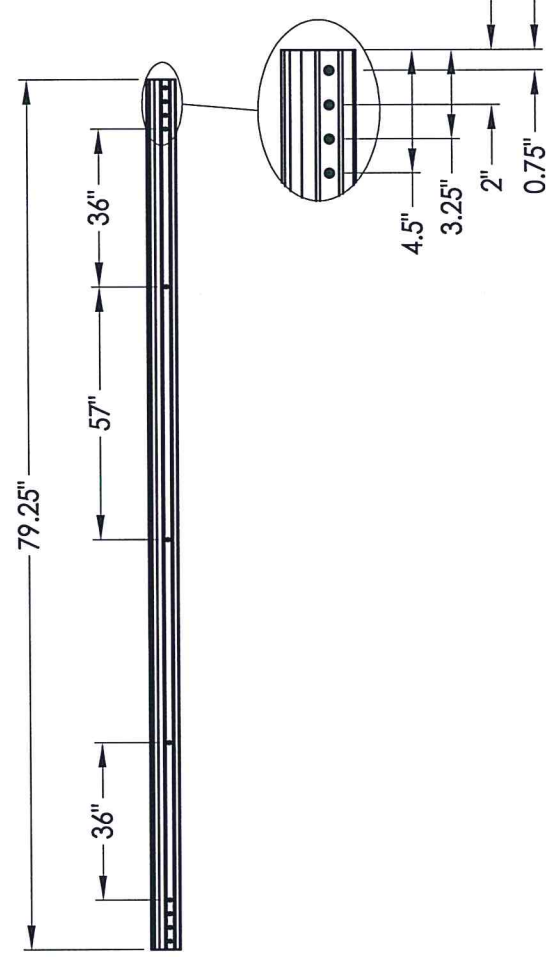


LATCH & DEADBOLT DETAIL

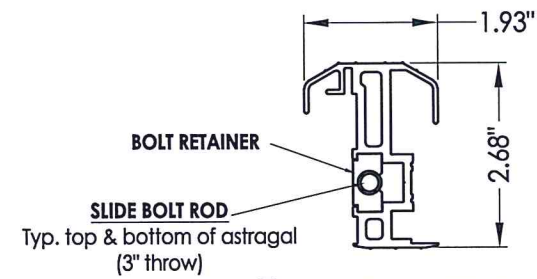


HINGE DETAIL

PRODUCT:	FIBERGLASS DOOR	
PART OR ASSEMBLY:	FRAME ANCHORING	
NO.	DATE	BY
3	10/26/21	LFS
2	5/31/18	LFS
1	12/14/15	JK
REVISIONS		
DATE:	6/13/13	
SCALE:	N.T.S.	
DWG. BY:	JK	
CHK. BY:	LFS	
DRAWING NO.:	TX-4373	
SHEET	7 OF 9	

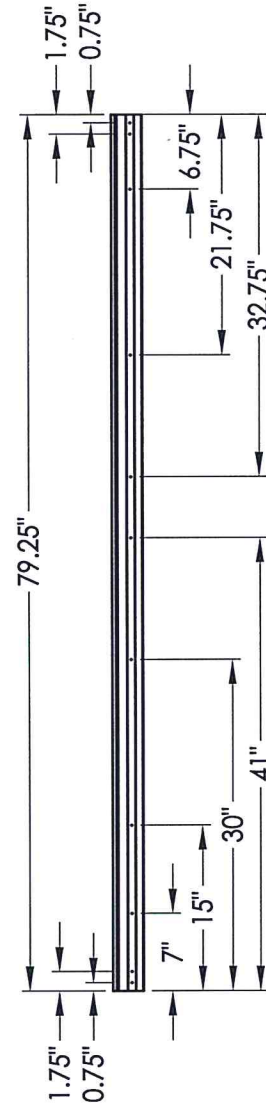


ASTRAGAL SCREW LOCATIONS

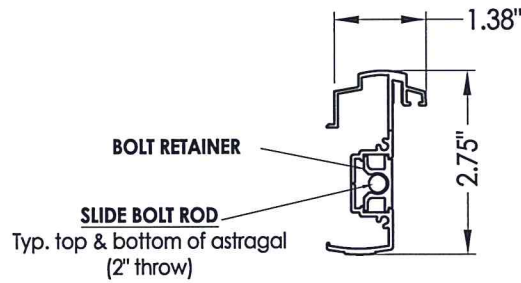


61 ALUMINUM ASTRAGAL
Therma-Tru

6'8 ALUMINUM ASTRAGAL ASSEMBLY
Therma-Tru

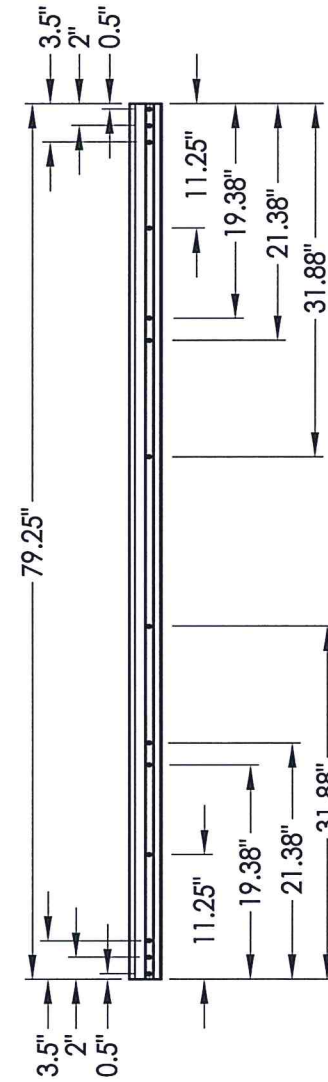


ASTRAGAL SCREW LOCATIONS

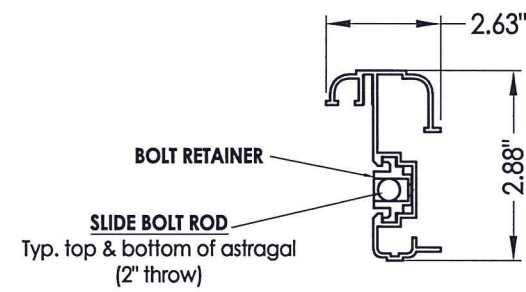


62 ASTRAGAL
Columbia

6'8 ALUMINUM ASTRAGAL ASSEMBLY
Columbia

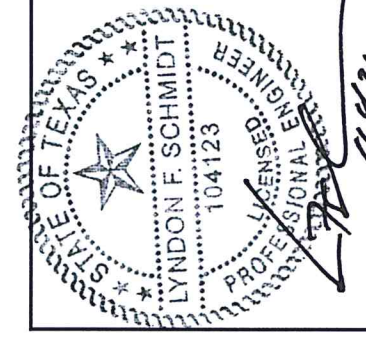


ASTRAGAL SCREW LOCATIONS



63 ASTRAGAL
DLP

6'8 ALUMINUM ASTRAGAL ASSEMBLY
DLP



Documents Prepared By: Lyndon F. Schmidt, P.E.
TEXAS P.E. #104123

RW BUILDING CONSULTANTS, INC.
P.O. Box 230 Vairico FL 33595
Phone No.: 813.659.9197

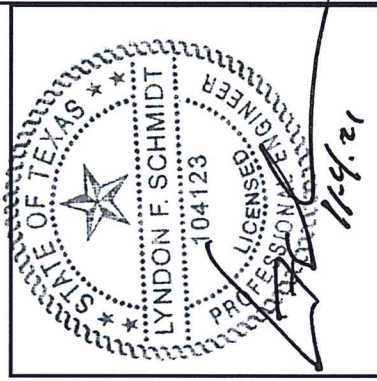
TEXAS BOARD OF PROFESSIONAL ENGINEERS
CERTIFICATE OF REGISTRATION # F-11852

PRODUCT:		FIBERGLASS DOOR	
PART OR ASSEMBLY:		ASTRAGAL DETAILS	
NO.	DATE	BY	REVISIONS
3	10/26/21	LFS	UPDATE TO 2018 IBC/IRC
2	5/31/18	LFS	ADD FLAT FRAME LITE PROFILE
1	12/14/15	JK	ADD H.S. GLAZING OPTION

DATE: 6/13/13
SCALE: N.T.S.
DWG. BY: JK
CHK. BY: LFS
DRAWING NO.: TX-4373
SHEET 8 OF 9

BILL OF MATERIALS

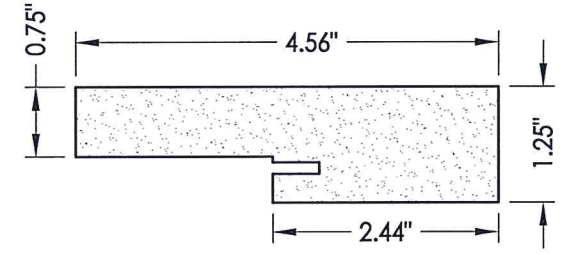
ITEM #	DESCRIPTION	MATERIAL
B	2X FRAMING (G >= 0.42)	WOOD
C	1/4" MAX. SHIM SPACE	-
D	1/4" PFH DeWALT OR ITW CONCRETE SCREW (1-3/4" MIN. EMB.)	STEEL
J	#10 X 3" PFH WOOD SCREW (1-1/2" MIN. EMB.)	STEEL
L	#10 X 2-1/2" PFH WOOD SCREW (1.15" MIN. EMB.)	STEEL
1	HEAD & JAMB	COMP
2	HEAD & JAMB	WOOD
7	WEATHERSTRIP (THERMA-TRU)	FOAM
8	DOOR BOTTOM SWEEP	VINYL
9	4" x 4" HINGE	STEEL
11	#9 X 3/4" PFH WOOD SCREW	STEEL
24	#10 X 1-1/2" PFH WOOD SCREW	STEEL
25	#10 X 2" PFH WOOD SCREW	STEEL
27	LATCH STRIKE PLATE	STEEL
28	DEADBOLT STRIKE PLATE	STEEL
31	ADA THRESHOLD	ALUM
34	INSWING THRESHOLD	ALUM/COMP
35	INSWING THRESHOLD	ALUM/COMP
36	INSWING THRESHOLD	ALUM/COMP
37	INSWING SIDELITE SEAT	PVC
38	INSWING SIDELITE SEAT	PVC
39	INSWING SIDELITE SEAT	PVC
40	DOOR PANEL - SEE DOOR PANEL DETAIL SHEET FOR DETAILS	-
50	SIDELITE PANEL - SEE SIDELITE PANEL DETAIL SHEET FOR DETAILS	-
57	#8 X 2" PFH SMS	STEEL
58	#8 X 2-1/2" PFH WOOD SCREW	STEEL
61	ASTRAGAL (THERMA-TRU)	ALUM
62	ASTRAGAL (COLUMBIA)	ALUM
64	ASTRAGAL (DLP)	ALUM
65	ASTRAGAL STRIKE PLATE	STEEL



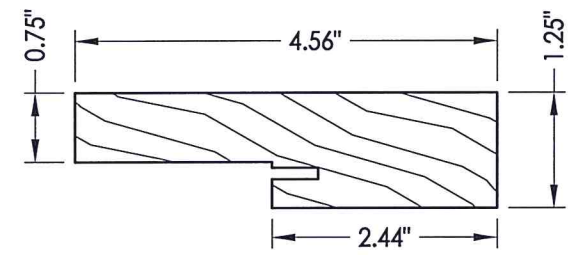
Documents Prepared By: Lyndon F. Schmidt, P.E.
TEXAS P.E. #104123

RW BUILDING CONSULTANTS, INC.
P.O. Box 230 Valrico FL 33595
Phone No.: 813.659.9197

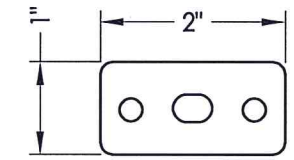
TEXAS BOARD OF PROFESSIONAL ENGINEERS
CERTIFICATE OF REGISTRATION # F-11852



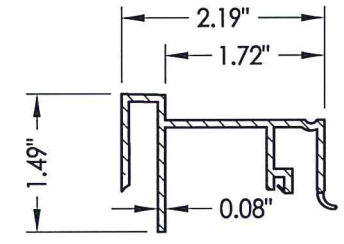
1 HEAD & JAMB
Composite



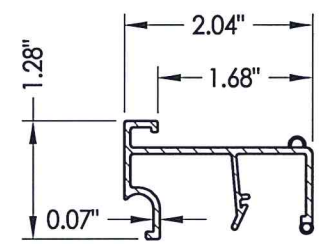
2 HEAD & JAMB
Finger joint pine



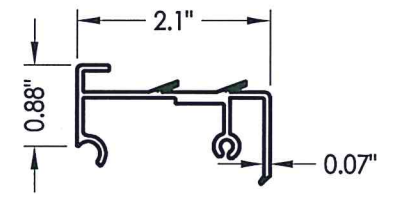
65 HEAD & SILL STRIKE PLATE



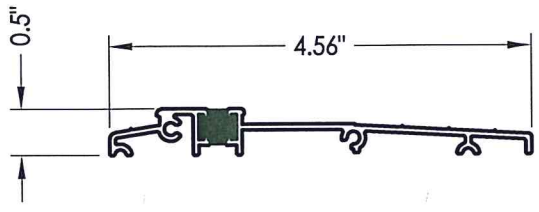
37 INSWING SIDELITE SEAT
Therma-Tru



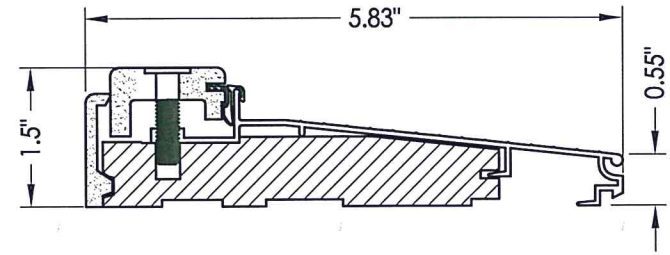
38 INSWING SIDELITE SEAT
Endura 60 SERIES



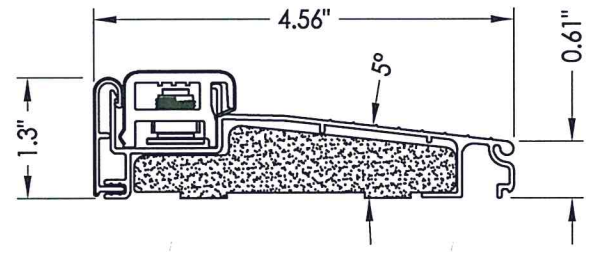
39 INSWING SIDELITE SEAT
Columbia



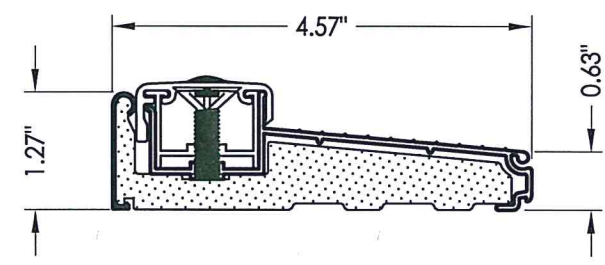
31 ADA THRESHOLD
Columbia



34 INSWING THRESHOLD
Therma-Tru



35 INSWING THRESHOLD
Endura ZAIL 4565
with Composite Substrate



36 INSWING THRESHOLD
Columbia 900 Series

PRODUCT: FIBERGLASS DOOR

PART OR ASSEMBLY: BILL OF MATERIALS & COMPONENTS

NO.	DATE	BY	REVISIONS
3	10/26/21	LFS	UPDATE TO 2018 IBC/IRC
2	5/31/18	LFS	ADD FLAT FRAME LITE PROFILE
1	12/14/15	JK	ADD H.S. GLAZING OPTION

DATE: 6/13/13

SCALE: N.T.S.

DWG. BY: JK

CHK. BY: LFS

DRAWING NO.: TX-4373

SHEET 9 OF 9