

# WINCORE™

## WINDOWS & DOORS

250 Staunton Turnpike, Parkersburg, WV 26104

### 8800 Series Vinyl Sliding Patio Door "IMPACT"

**TDI DR-685**

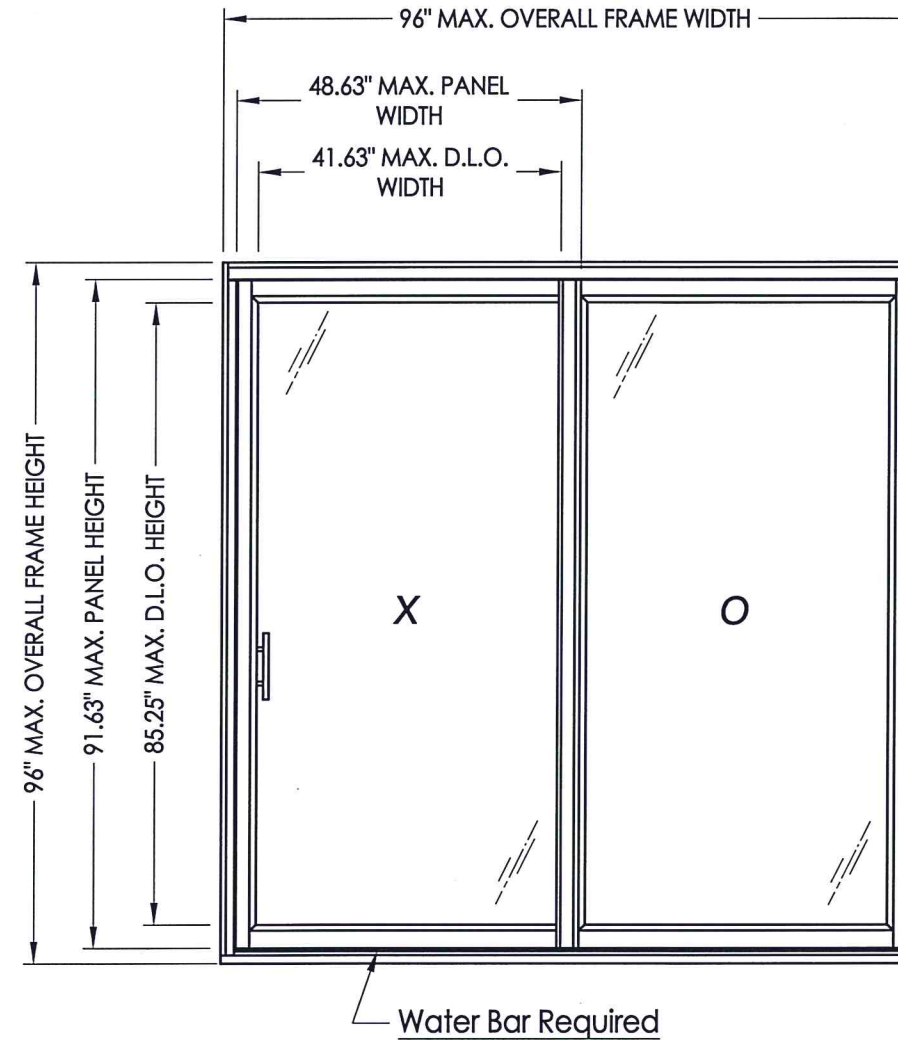
**EVALUATED FOR USE IN THE STATE OF TEXAS**

The Wincore Fixed Window described herein complies with the 2018 International Residential Code (IRC), Sections R301 & R609 and the 2018 International Building Code (IBC), Sections 1404.13, 1609, 1709.5, 2403 and 2404 subject to the following conditions:

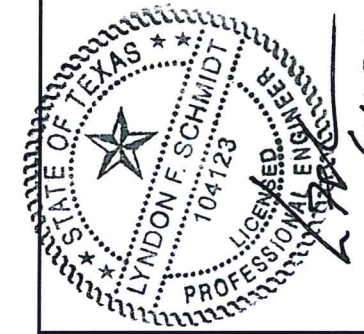
1. Anchors shall be as listed and spaced as shown in the details. Anchor embedment to base material shall be beyond roof covering.
2. When used in areas requiring wind-borne debris protection, this product complies with Section R301.2.1.2 of the IRC and Section 1609.2 of the IBC and does not require impact protection. This product meets missile level "D" and includes Wind Zone 4 as defined in ASTM E 1996.
3. Allowable design pressure requirements must be equal to or less than the design pressure rating shown in the design pressure chart, sheet 1 of this drawing.
4. Conditions not covered by this drawing are subject to further engineering analysis.

**TABLE OF CONTENTS**

SHEET#	DESCRIPTION
1	Typical elevation, design pressures & general notes
2	Horizontal cross section
3	Vertical cross sections
4	Frame anchoring
5	Bill of materials, glazing detail & components



OVERALL FRAME DIMENSION	MAX. PANEL DIMENSION	MAX. D.L.O. DIMENSION	GLASS TYPE	DESIGN PRESSURE (PSF)	
				POSITIVE	NEGATIVE
96" x 96"	48.63" X 91.63"	41.63" X 85.25"	G1	+50.0	-50.0
			G2	+50.0	-55.0



Documents Prepared By: Lyndon F. Schmidt, P.E.  
TEXAS P.E. #104123

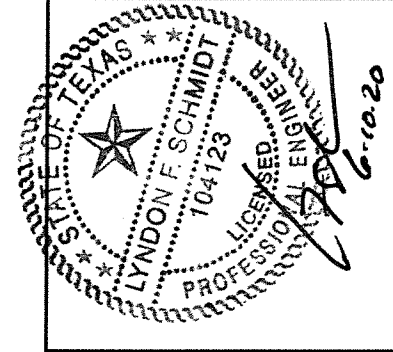
**RW** BUILDING CONSULTANTS, INC.  
P.O. Box 230 Valrico FL, 33595  
Phone No.: 813.659.9197  
TEXAS BOARD OF PROFESSIONAL ENGINEERS  
CERTIFICATE OF REGISTRATION # F-11852

PRODUCT: SLIDING PATIO DOORS  
PART OR ASSEMBLY: TYPICAL ELEVATION, DESIGN PRESSURES & GENERAL NOTES

NO.	DATE	REVISIONS
1	1/21/20	UPDATE TO 2018 IBC/IRC
		LFS
		BY

DATE: 7/9/13  
SCALE: N.T.S.  
DWG. BY: JK  
CHK. BY: LFS  
DRAWING NO.: TX-4323  
SHEET 1 OF 5



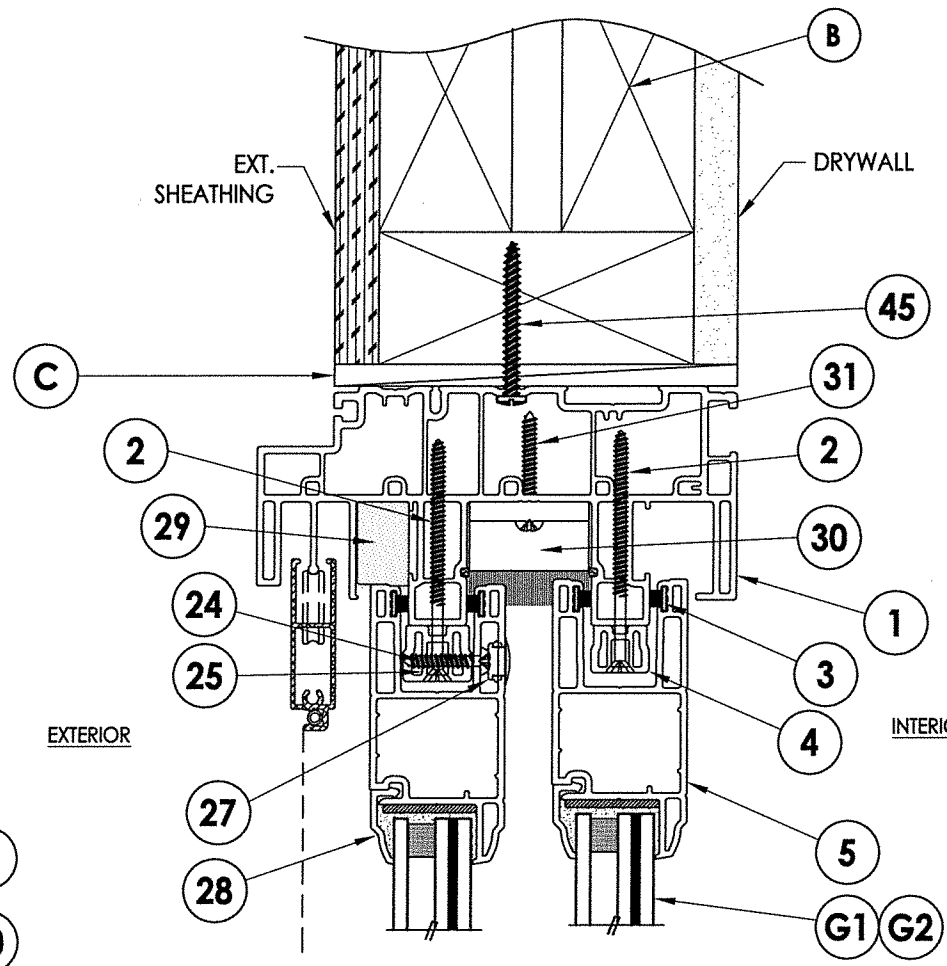


Documents Prepared By: Lyndon F. Schmidt, P.E.  
TEXAS P.E. #104123

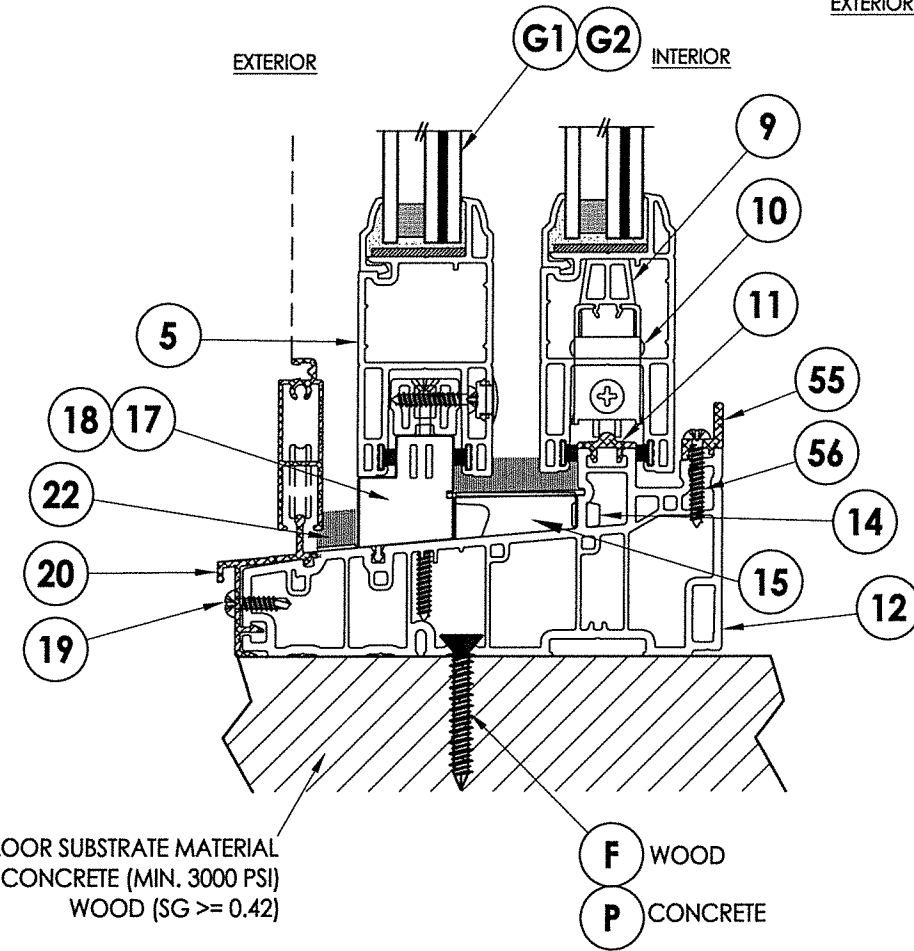
**RW** BUILDING CONSULTANTS, INC.  
P.O. Box 230 Valrico FL 33595  
Phone No.: 813.659.9197

TEXAS BOARD OF PROFESSIONAL ENGINEERS  
CERTIFICATE OF REGISTRATION # F-11852

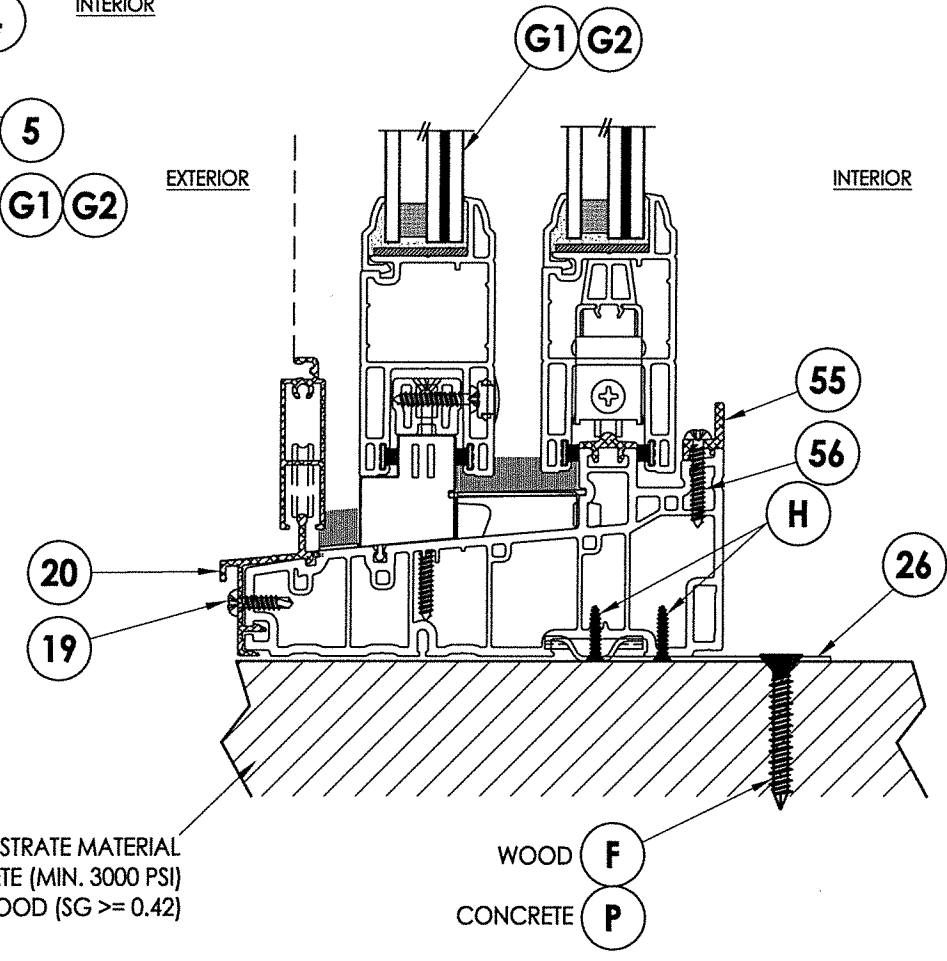
PRODUCT:	SLIDING PATIO DOORS	
PART OR ASSEMBLY:	VERTICAL CROSS SECTIONS	
NO.	DATE	BY
1	1/21/20	LFS
UPDATE TO 2018 IBC/IRC		
REVISIONS		
DATE:	3/14/13	
SCALE:	N.T.S.	
DWG. BY:	JK	
CHK. BY:	LFS	
DRAWING NO.:	TX-4323	
SHEET	3	OF 5



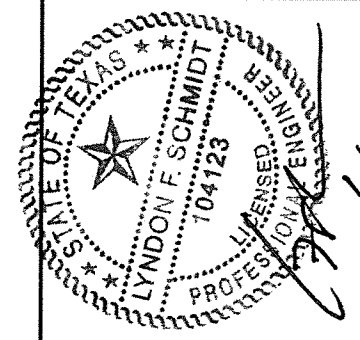
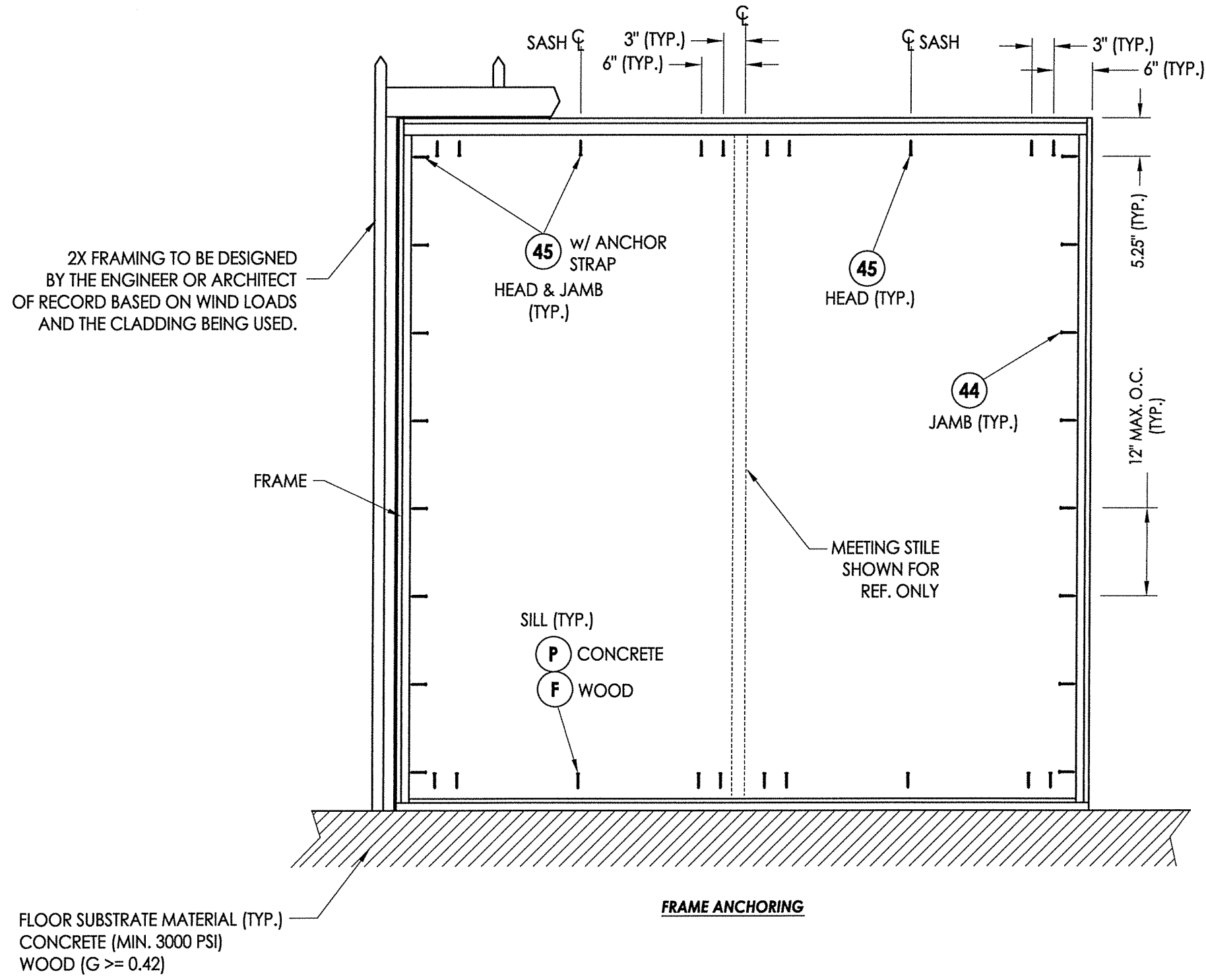
**1**  
**3** VERTICAL CROSS SECTION



**2**  
**3** VERTICAL CROSS SECTION



**3**  
**3** VERTICAL CROSS SECTION  
Shown w/ optional strap anchor



Documents Prepared By: Lyndon F. Schmidt, P.E.  
 TEXAS P.E. #104123

**R.W.** BUILDING CONSULTANTS, INC.  
 P.O. Box 230 Valrico FL 33595  
 Phone No.: 813.659.9197

TEXAS BOARD OF PROFESSIONAL ENGINEERS  
 CERTIFICATE OF REGISTRATION # F-11852

6.10.20

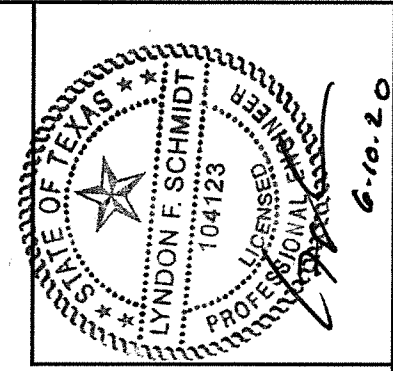
PRODUCT:	SLIDING PATIO DOORS	
PART OR ASSEMBLY:	FRAME ANCHORING	
NO.	DATE	BY
1	1/21/20	LFS
	UPDATE TO 2018 IBC/IRC	
		REVISIONS

DATE: 7/9/13  
 SCALE: N.T.S.  
 DWG. BY: JK  
 CHK. BY: LFS  
 DRAWING NO.: TX-4323  
 SHEET 4 OF 5

**BILL OF MATERIALS**

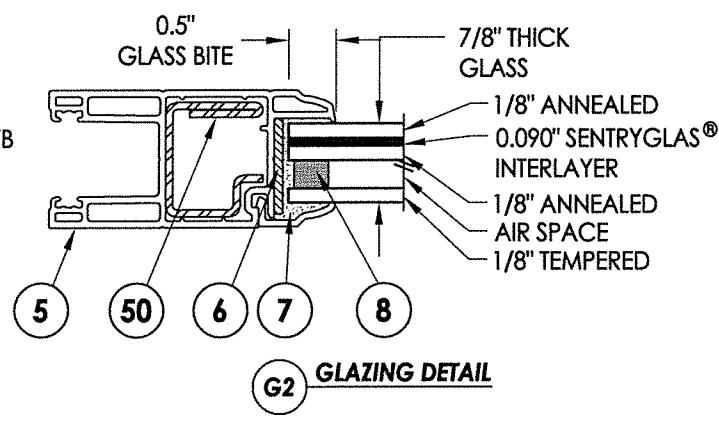
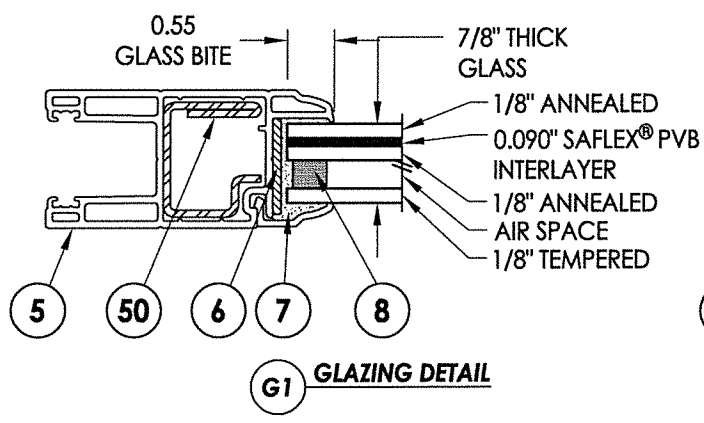
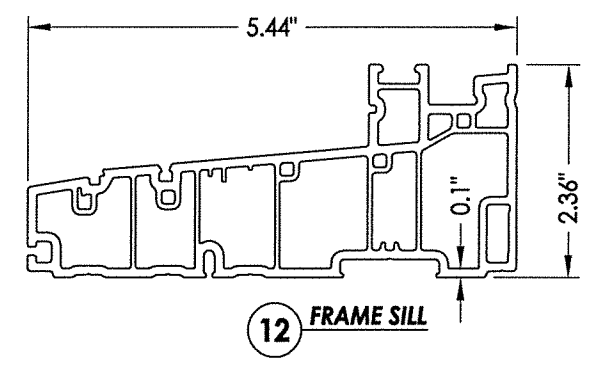
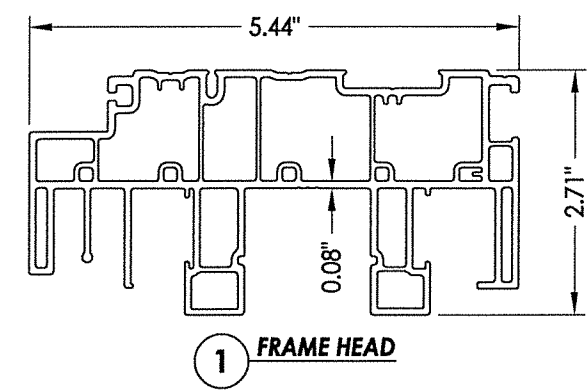
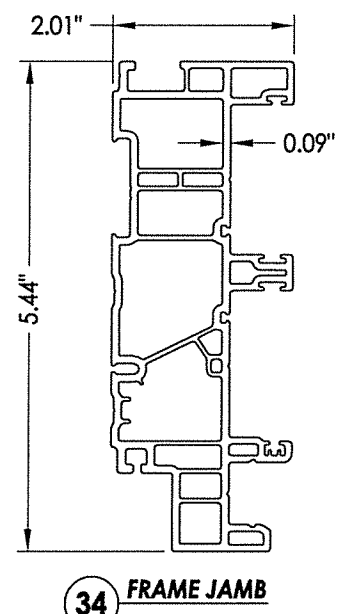
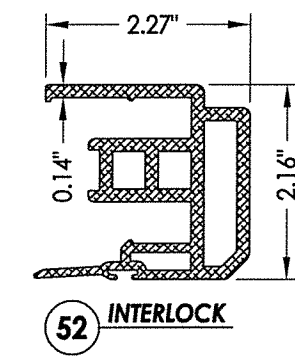
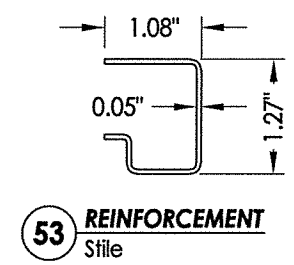
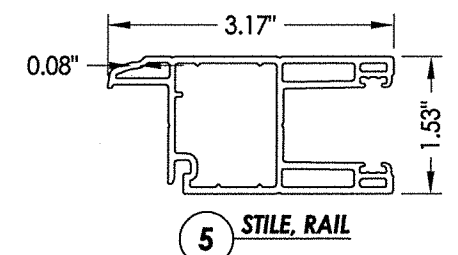
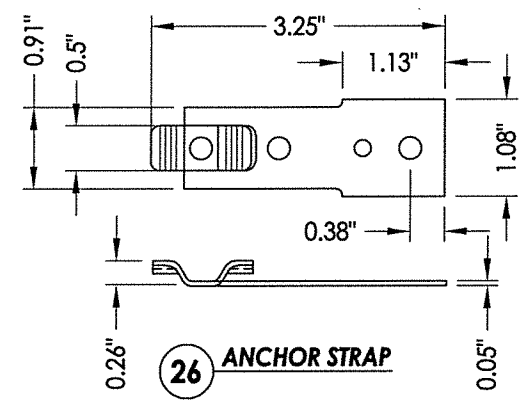
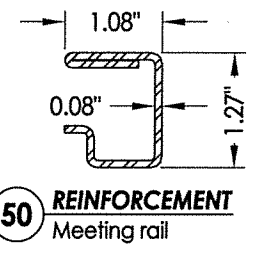
ITEM #	DESCRIPTION	MATERIAL
B	2X FRAMING (SG >= 0.42)	WOOD
C	1/4" MAX. SHIM SPACE	-
F	#10 X 2" PH WOOD SCREW (1-1/2" MIN. EMB.)	STEEL
H	#10 x 5/8" FH SMS	STEEL
P	1/4" PFH ELCO OR ITW CONCRETE SCREW (1-3/4" MIN. EMB.)	STEEL
1	FRAME HEAD*	PVC
2	#8 x 2-3/4" FH QUADREX WOOD SCREW	STEEL
3	WEATHERSTRIP (SCHLEGEL #HF-7522-270)	-
4	HEAD TRACK*	PVC
5	STILE & RAIL*	PVC
6	SETTING BLOCK	-
7	SILICONE (SIKA 552)	SILICONE
8	DURASEAL SPACER SYSTEM	-
9	SHIM	-
10	TANDEM WHEEL	STEEL
11	ROLLING RAIL	STEEL
12	SILL*	PVC
13	SILL DUST COVER*	PVC
14	SILL PLUG*	PVC
15	SILL WEATHERSEAL	-
17	LEFT CAP FOR SILL ADAPTER*	PVC
18	RIGHT CAP FOR SILL ADAPTER*	PVC
19	#8 X 5/8" PAN HEAD, SQUARE, SELF-DRILLING SCREW	STEEL
20	OUTSIDE SILL CLADDING	STEEL
22	INSECT STOP	-
23	SCREEN	-
24	#8 X 7/8" PAN HEAD, QUADREX, SCREW	STEEL
25	FIXED PANEL ANCHOR BLOCK*	PVC
26	ANCHOR STRAP	STEEL
27	SCREW CAP*	PVC
28	GLAZING BEAD*	PVC
29	FOAM PLUG	-

30	HEAD WEATHERSEAL	-
31	#8 X 1-1/4" PAN HEAD, QUADREX, SCREW	STEEL
32	SASH STOPPER	STEEL
33	WEATHERSTRIP	-
34	FRAME JAMB*	PVC
35	WEATHERSTRIP	-
39	HANDLE KIT	STEEL
40	OPERATING PANEL SIDE STILE*	PVC
42	KEEPER FOR SCREEN	-
43	#4 X 5/8" PAN HEAD QUADREX SCREW	STEEL
44	#10 X 2-1/2" PPH SCREW	STEEL
45	#10 X 1-3/4" PPH SCREW	STEEL
46	STAINLESS STEEL DOUBLE POINT MORTISE LOCK KIT	STEEL
47	SASH COVERING CAP*	PVC
48	LOCK PLUG*	PVC
50	STILE REINFORCEMENT	STEEL
51	#8 X 2" TRUSS HEAD QUADREX SCREW	STEEL
52	INTERLOCK	STEEL
53	STILE REINFORCEMENT	STEEL
54	Q-LON WEATHERSTRIP (SCHLEGEL NO. QEZ 345)	-
55	WATER BAR	STEEL
56	#8 X 1" PPH SMS	SS



6-10-20

Documents Prepared By: Lyndon F. Schmidt, P.E.  
TEXAS P.E. #104123  
**RW** BUILDING CONSULTANTS, INC.  
P.O. Box 230 Valrico FL, 33595  
Phone No.: 813.659.9197  
TEXAS BOARD OF PROFESSIONAL ENGINEERS  
CERTIFICATE OF REGISTRATION # F-11852



\* THE APPROVED WHITE RIGID PVC EXTERIOR EXTRUSIONS FOR WINDOWS ARE TO BE PRODUCED BY EXTRUDERS LICENSEES IN "AAMA CERTIFICATION PROGRAMS FOR RIGID PVC EXTRUSIONS".

PRODUCT:	SLIDING PATIO DOORS	
PART OR ASSEMBLY:	BILL OF MATERIALS, GLAZING DETAIL & COMPONENTS	
NO.	DATE	BY
1	1/21/20	LFS
REVISIONS		
DATE:	7/9/13	
SCALE:	N.T.S.	
DWG. BY:	JK	
CHK. BY:	LFS	
DRAWING NO.:	TX-4323	
SHEET	5 OF 5	