

WINCORE™

WINDOWS & DOORS

250 Staunton Turnpike, Parkersburg, WV 26104

7700/9900 Series Vinyl Sliding Patio Door "NON-IMPACT"

EVALUATED FOR USE IN THE STATE OF TEXAS

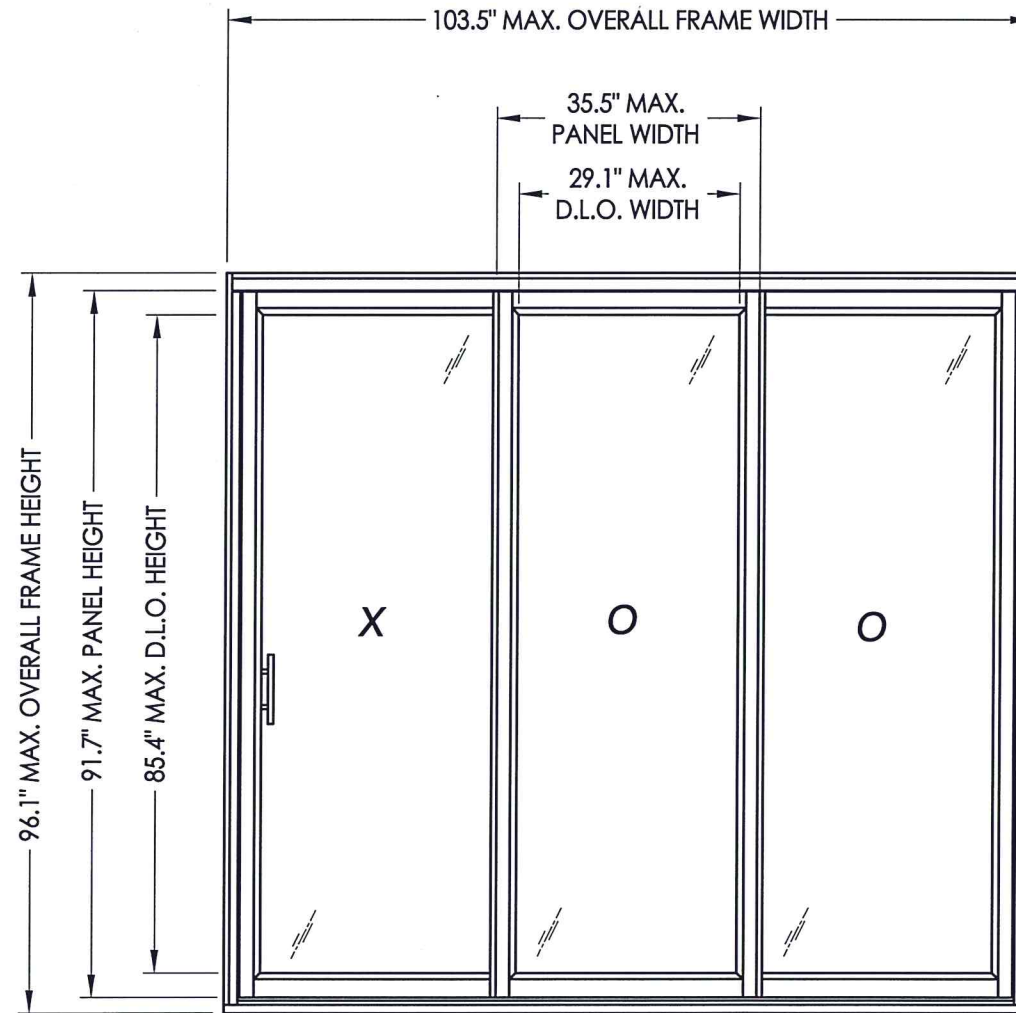
TDI DR-684

The Wincore Sliding Patio Door described herein complies with the 2018 International Residential Code (IRC), Sections R301 & R609 and the 2018 International Building Code (IBC), Sections 1404.13, 1609, 1709.5, 2403 and 2404 subject to the following conditions:

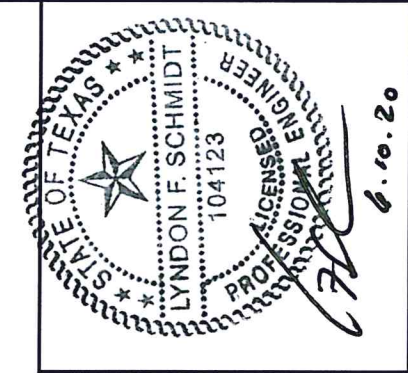
1. Anchors shall be as listed and spaced as shown in the details. Anchor embedment to base material shall be beyond wall dressing or stucco.
2. When used in areas requiring wind-borne debris protection this product is required to be protected with an impact resistant covering that complies with Section R301.2.1.2 of the IRC and Section 1609.1.2 of the IBC.
3. Allowable design pressure requirements must be equal to or less than the design pressure rating shown in the design pressure chart, sheet 1 of this drawing.
4. Conditions not covered by this drawing are subject to further engineering analysis.

TABLE OF CONTENTS

| SHEET# | DESCRIPTION |
|--------|---|
| 1 | Typical elevation, design pressures & general notes |
| 2 | Horizontal and vertical cross sections |
| 3 | Frame anchoring |
| 4 | Glazing details |
| 5 | Bill of materials & components |



| OVERALL FRAME DIMENSION | MAX. PANEL DIMENSION | MAX. D.L.O. DIMENSION | GLASS TYPE | DESIGN PRESSURE (PSF) | |
|-------------------------|----------------------|-----------------------|------------|-----------------------|----------|
| | | | | POSITIVE | NEGATIVE |
| 103.5" x 96.1" | 35.5" X 91.7" | 29.1" X 85.4" | G1, G2, G3 | +30.0 | -40.0 |



Documents Prepared By: Lyndon F. Schmidt, P.E.
TEXAS P.E. #104123

RW BUILDING CONSULTANTS, INC.
P.O. Box 230 Valrico FL 33595
Phone No.: 813.659.9197
TEXAS BOARD OF PROFESSIONAL ENGINEERS
CERTIFICATE OF REGISTRATION # F-11852

PRODUCT: 7000/9900 SERIES SLIDING PATIO DOORS
PART OR ASSEMBLY: TYPICAL ELEVATION, DESIGN PRESSURES & GENERAL NOTES

| NO. | DATE | REVISIONS |
|-----|---------|------------------------|
| 1 | 6/10/20 | UPDATE TO 2018 IBC/IRC |
| | | LFS BY |

DATE: 9/3/14

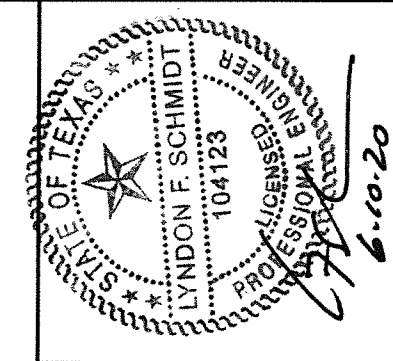
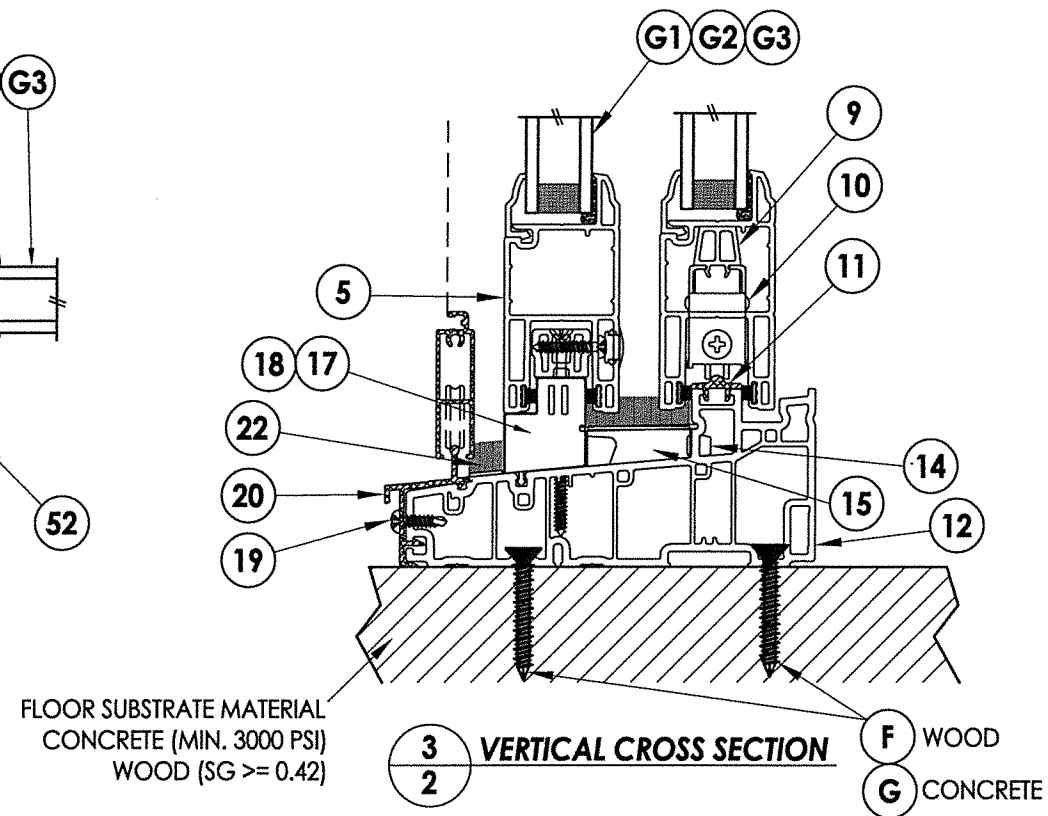
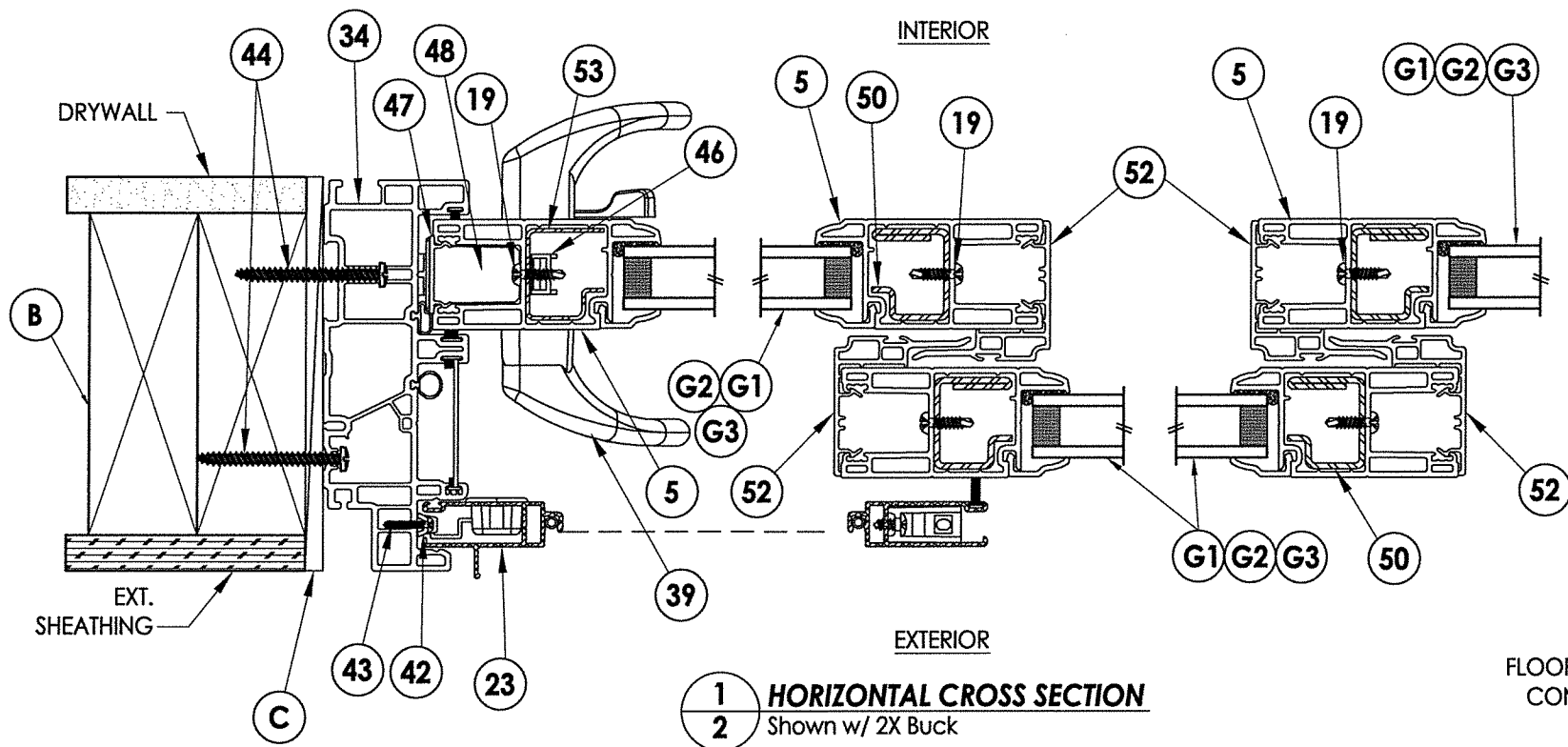
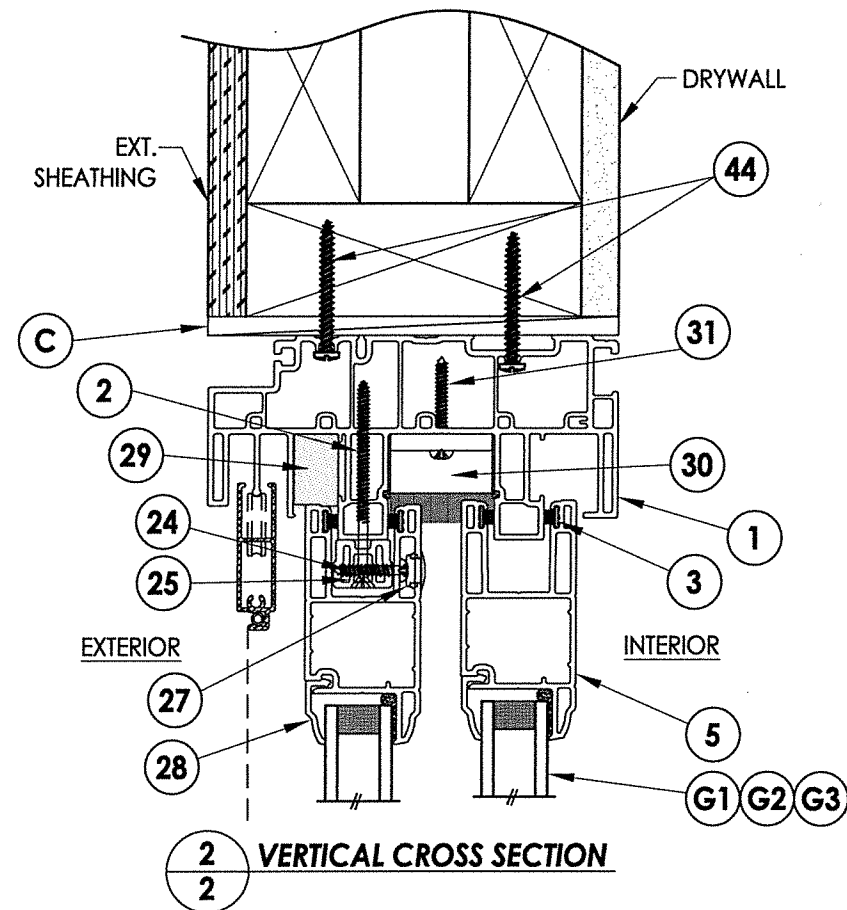
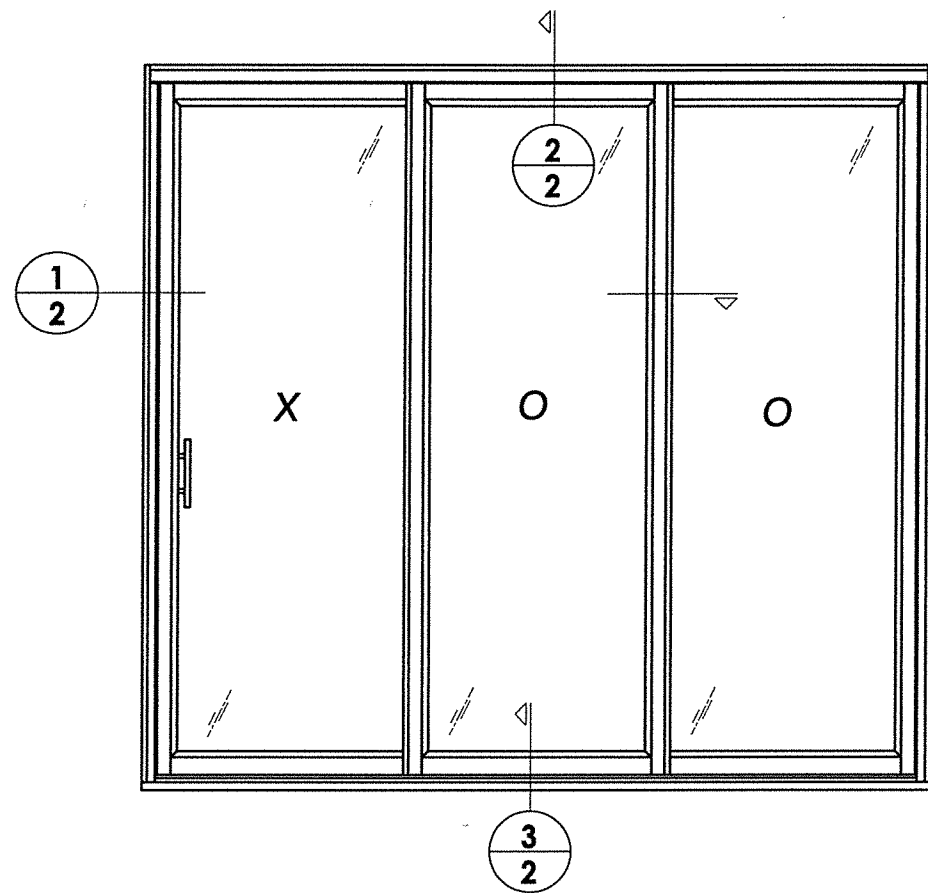
SCALE: N.T.S.

DWG. BY: JK

CHK. BY: LFS

DRAWING NO.: TX-4464

SHEET 1 OF 5

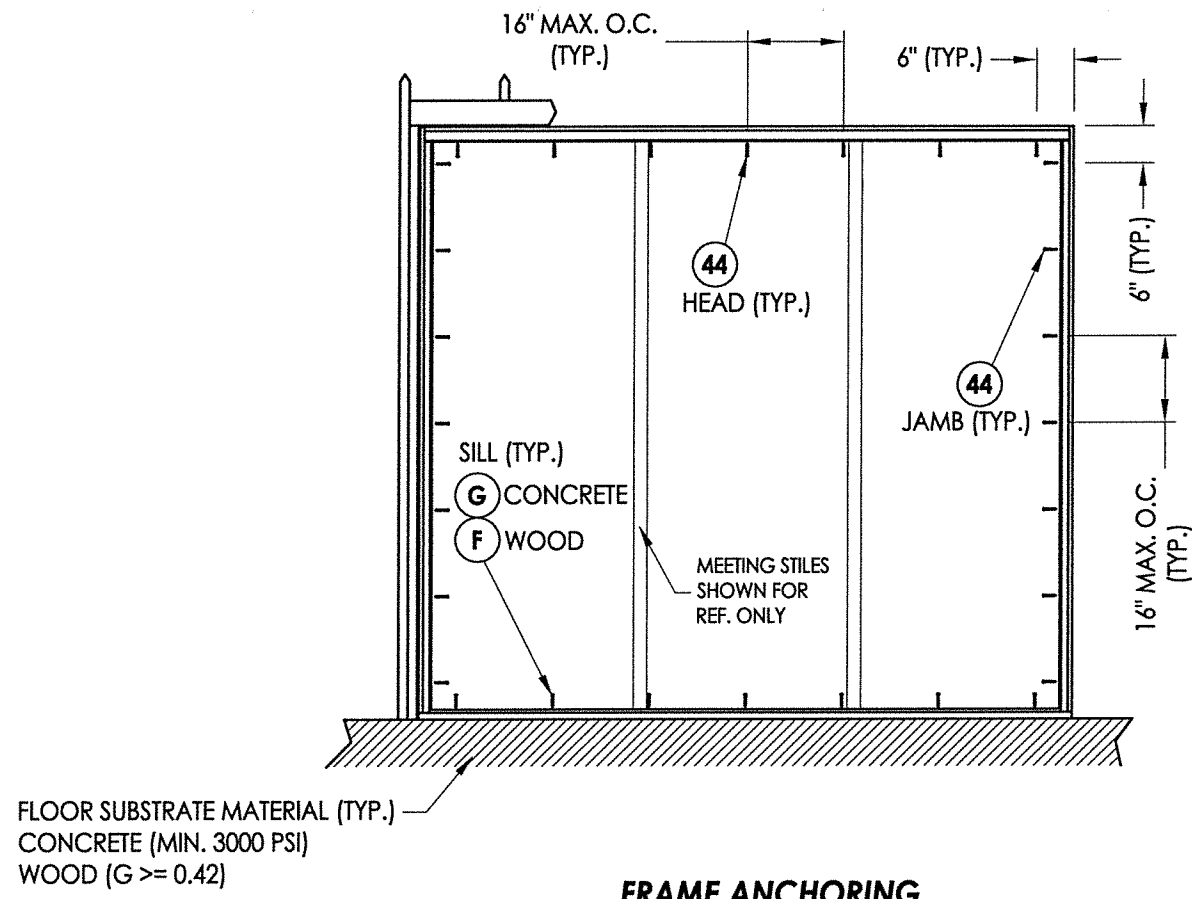


Documents Prepared By: Lyndon F. Schmidt, P.E.
TEXAS P.E. #104123

RW BUILDING CONSULTANTS, INC.
P.O. Box 230 Valrico FL 33595
Phone No.: 813.659.9197

TEXAS BOARD OF PROFESSIONAL ENGINEERS
CERTIFICATE OF REGISTRATION # F-11852

| | |
|-------------------|---|
| PRODUCT: | 7000/9900 SERIES SLIDING PATIO DOORS |
| PART OR ASSEMBLY: | HORIZONTAL CROSS SECTIONS |
| DATE: | 9/3/14 |
| SCALE: | N.T.S. |
| DWG. BY: | JK |
| CHK. BY: | LFS |
| DRAWING NO.: | TX-4464 |
| SHEET | 2 OF 5 |
| NO. DATE | REVISIONS |
| 1 6/10/20 | UPDATE TO 2018 IBC/IRC |
| LFS | BY |



FLOOR SUBSTRATE MATERIAL (TYP.)
 CONCRETE (MIN. 3000 PSI)
 WOOD (G >= 0.42)

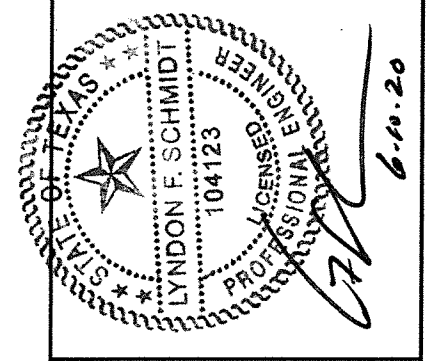
FRAME ANCHORING

NOTE: TWO (2) ANCHORS REQ'D IN PAIRS @ EACH LOCATION SHOWN

CONCRETE ANCHOR NOTES:

1. Concrete anchor locations at the corners may be adjusted to maintain the min. edge distance to mortar joints.
2. Concrete anchor locations noted as "MAX. ON CENTER" must be adjusted to maintain the min. edge distance to mortar joints, additional concrete anchors may be required to ensure the "MAX. ON CENTER" dimension are not exceeded.
3. Concrete anchor table:

| ANCHOR TYPE | ANCHOR SIZE | MIN. EMBEDMENT | MIN. CLEARANCE TO MASONRY EDGE | MIN. CLEARANCE TO ADJACENT ANCHOR |
|----------------|-------------|----------------|--------------------------------|-----------------------------------|
| ITW TAPCON® | 1/4" | 1-3/4" | 1-1/2" | 4" |
| ELCO ULTRACON® | 1/4" | 1-3/4" | 2-1/2" | 3" |



Documents Prepared By: Lyndon F. Schmidt, P.E.
 TEXAS P.E. #104123

RW BUILDING CONSULTANTS, INC.
 P.O. Box 230 Valrico FL, 33595
 Phone No.: 813.659.9197

TEXAS BOARD OF PROFESSIONAL ENGINEERS
 CERTIFICATE OF REGISTRATION # F-11852

PRODUCT: 7000/9900 SERIES SLIDING PATIO DOORS

PART OR ASSEMBLY: FRAME ANCHORING

| NO. | DATE | REVISIONS |
|-----|---------|------------------------|
| 1 | 6/10/20 | UPDATE TO 2018 IBC/IRC |
| | | LFS |
| | | BY |

DATE: 9/3/14

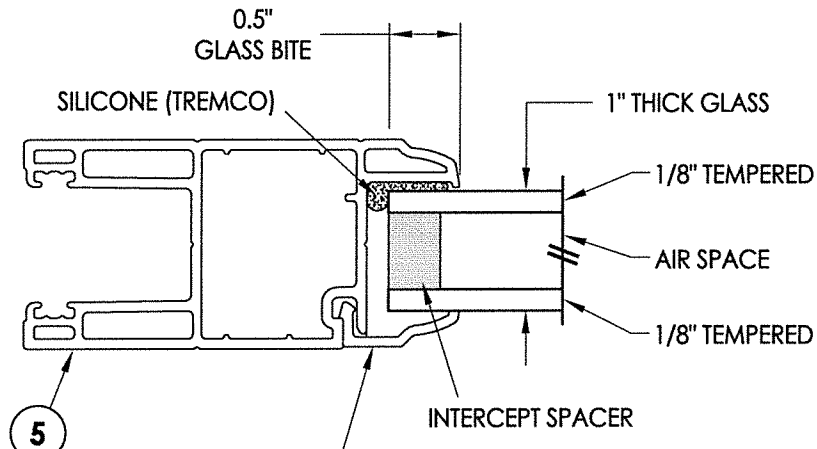
SCALE: N.T.S.

DWG. BY: JK

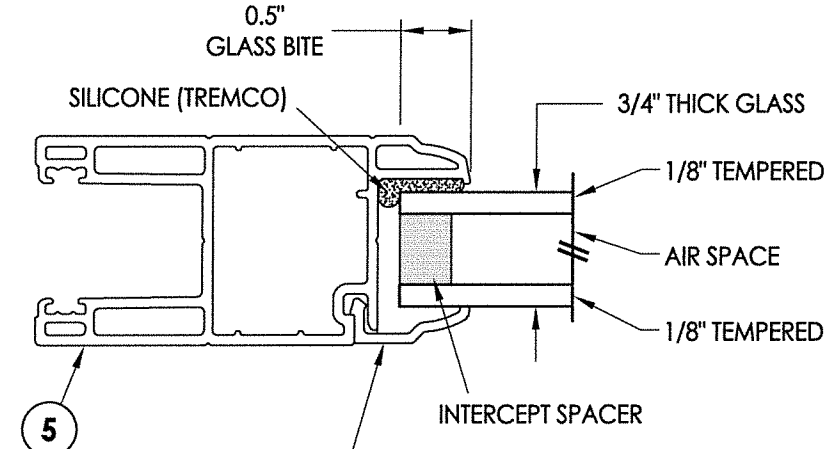
CHK. BY: LFS

DRAWING NO.: TX-4464

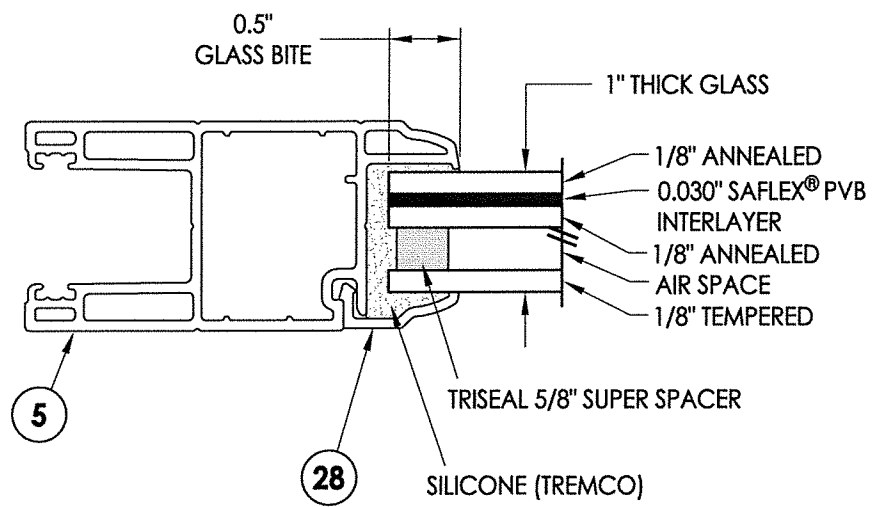
SHEET 3 OF 5



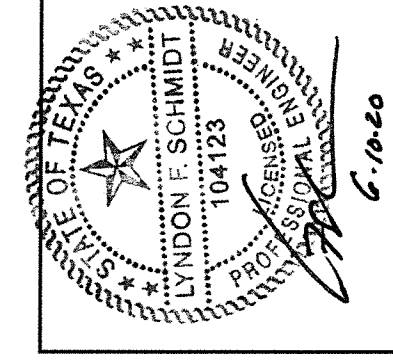
G1 GLAZING DETAIL



G2 GLAZING DETAIL



G3 GLAZING DETAIL



Documents Prepared By: Lyndon F. Schmidt, P.E.
TEXAS P.E. #104123

RW BUILDING CONSULTANTS, INC.
P.O. Box 230 Vailhoo FL 33595
Phone No.: 813.659.9197

TEXAS BOARD OF PROFESSIONAL ENGINEERS
CERTIFICATE OF REGISTRATION # F-11852

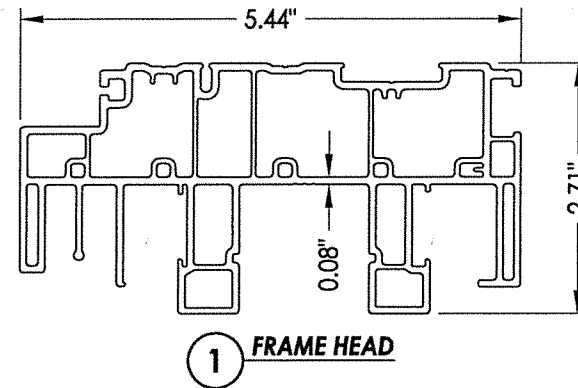
| | | | |
|----------------------|---------|---|------------------------|
| PRODUCT: | | 7000/9900 SERIES SLIDING PATIO DOORS | |
| PART OR ASSEMBLY: | | GLAZING DETAILS | |
| NO. | DATE | BY | REVISIONS |
| 1 | 6/10/20 | LFS | UPDATE TO 2018 IBC/IRC |
| DATE: 9/3/14 | | | |
| SCALE: N.T.S. | | | |
| DWG. BY: JK | | | |
| CHK. BY: LFS | | | |
| DRAWING NO.: TX-4464 | | | |
| SHEET 4 OF 5 | | | |

R:\Clients\Wincore PERMANENT B - Texas Dept of Ins\Sliding Glass Doors\DR-684 Sliding Vinyl Doors\C - Drawings\2018 IBC UPDATE\TX-4461-64.dwg, 7.5

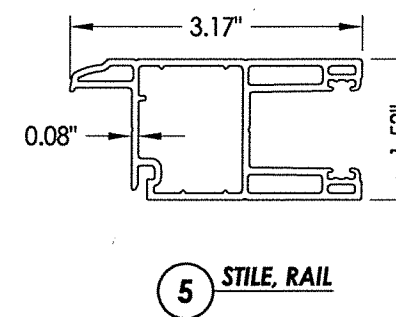
BILL OF MATERIALS

| ITEM # | DESCRIPTION | MATERIAL |
|--------|--|----------|
| B | 2X FRAMING (SG >= 0.42) | WOOD |
| C | 1/4" MAX. SHIM SPACE | - |
| F | #10 PPH WOOD SCREW (1-3/8" MIN. EMBEDMENT REQ'D INTO WOOD) | STEEL |
| G | 1/4" ELCO OR ITW CONCRETE SCREW (1-3/4" MIN. EMBEDMENT REQ'D. INTO CONCRETE) | STEEL |
| 1 | FRAME HEAD* | PVC |
| 2 | #8 x 2-3/4" FH QUADREX WOOD SCREW | STEEL |
| 3 | WEATHERSTRIP (SCHLEGEL #HF-7522-270) | - |
| 5 | STILE & RAIL* | PVC |
| 6 | FIXED MULLION* | PVC |
| 9 | SHIM | - |
| 10 | TANDEM WHEEL | NYLON |
| 11 | ROLLING RAIL | ALUM |
| 12 | SILL* | PVC |
| 13 | SILL DUST COVER* | PVC |
| 14 | SILL PLUG | NYLON |
| 15 | SILL WEATHERSEAL | - |
| 17 | LEFT CAP FOR SILL ADAPTER* | PVC |
| 18 | RIGHT CAP FOR SILL ADAPTER* | PVC |
| 19 | #8 X 5/8" PAN HEAD, SQUARE, SELF-DRILLING SCREW | STEEL |
| 20 | OUTSIDE SILL CLADDING | STEEL |
| 22 | INSECT STOP | - |
| 23 | SCREEN | - |
| 24 | #8 X 7/8" PAN HEAD, QUADREX, SCREW | STEEL |
| 25 | FIXED PANEL ANCHOR BLOCK* | PVC |
| 26 | ANCHOR STRAP | STEEL |
| 27 | SCREW CAP* | PVC |
| 28 | GLAZING BEAD* | PVC |
| 29 | FOAM PLUG | - |
| 30 | HEAD WEATHERSEAL | - |
| 31 | #8 X 1-1/4" PAN HEAD, QUADREX, SCREW | STEEL |
| 32 | SASH STOPPER | EPDM |
| 33 | WEATHERSTRIP | - |
| 34 | FRAME JAMB* | PVC |
| 35 | WEATHERSTRIP | - |
| 39 | HANDLE KIT | STEEL |
| 40 | VERTICAL MULLION* | PVC |
| 44 | #10 PPH WOOD SCREW (1-3/8" MIN. EMBEDMENT REQ'D INTO WOOD) | STEEL |
| 46 | STAINLESS STEEL DOUBLE POINT MORTISE LOCK KIT | STEEL |
| 47 | SASH COVERING CAP* | PVC |
| 48 | LOCK PLUG* | PVC |
| 50 | STILE REINFORCEMENT | STEEL |
| 51 | #8 X 2" TRUSS HEAD QUADREX SCREW | STEEL |
| 52 | INTERLOCK* | PVC |
| 53 | STILE REINFORCEMENT | STEEL |
| 54 | Q-LON WEATHERSTRIP (SCHLEGEL NO. QEZ 345) | - |

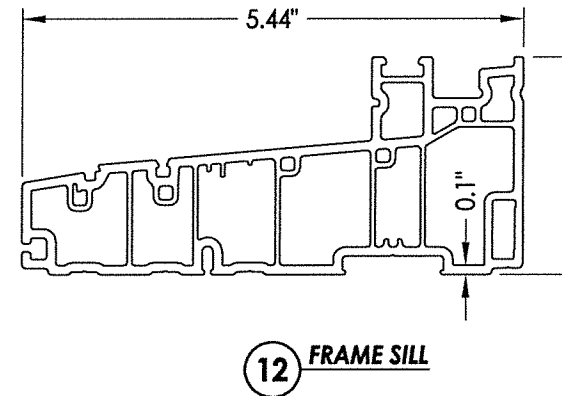
* THE APPROVED WHITE RIGID PVC EXTERIOR EXTRUSIONS FOR WINDOWS ARE TO BE PRODUCED BY EXTRUDERS LICENSEES IN "CERTIFICATION PROGRAMS FOR RIGID PVC EXTRUSIONS".



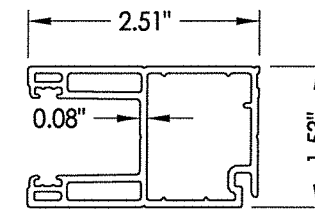
1 FRAME HEAD



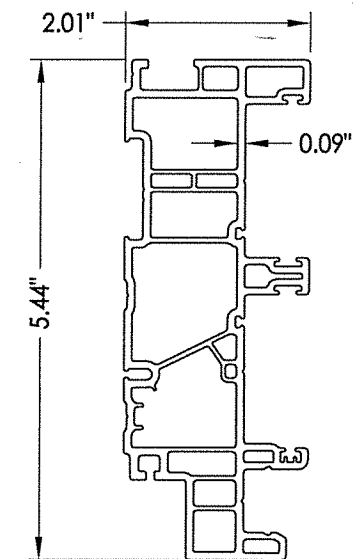
5 STILE, RAIL



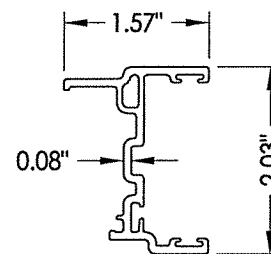
12 FRAME SILL



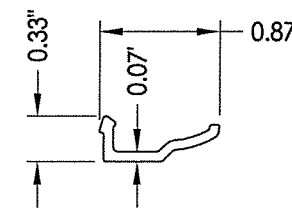
6 PULL STILE



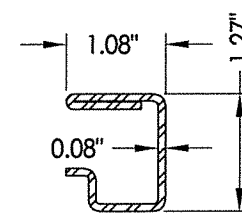
34 FRAME JAMB



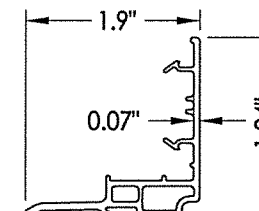
40 VERTICAL MULLION



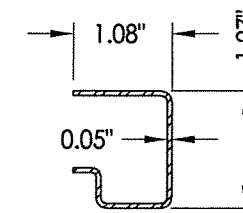
28 GLAZING BEAD



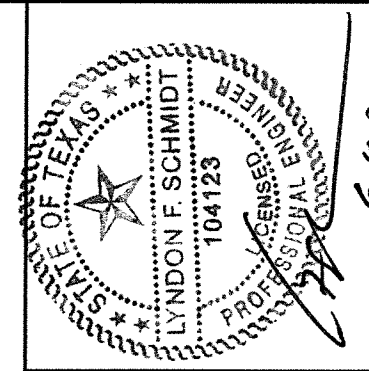
50 REINFORCEMENT
Stile



52 INTERLOCK



53 REINFORCEMENT
Stile



Documents Prepared By: Lyndon F. Schmidt, P.E.
TEXAS P.E. #104123
RW BUILDING CONSULTANTS, INC.
P.O. Box 230 Valrico FL 33595
Phone No.: 813.659.9197
TEXAS BOARD OF PROFESSIONAL ENGINEERS
CERTIFICATE OF REGISTRATION # F-11852

PRODUCT: 7000/9900 SERIES
SLIDING PATIO DOORS
PART OR ASSEMBLY:
BILL OF MATERIALS
& COMPONENTS

| NO. | DATE | REVISIONS |
|-----|---------|------------------------|
| 1 | 6/10/20 | UPDATE TO 2018 IBC/IRC |
| | | LFS |
| | | BY |

DATE: 9/3/14
SCALE: N.T.S.
DWG. BY: JK
CHK. BY: LFS
DRAWING NO.: TX-4464
SHEET 5 OF 5