

WINCORE™

WINDOWS & DOORS

250 Staunton Turnpike, Parkersburg, WV 26104

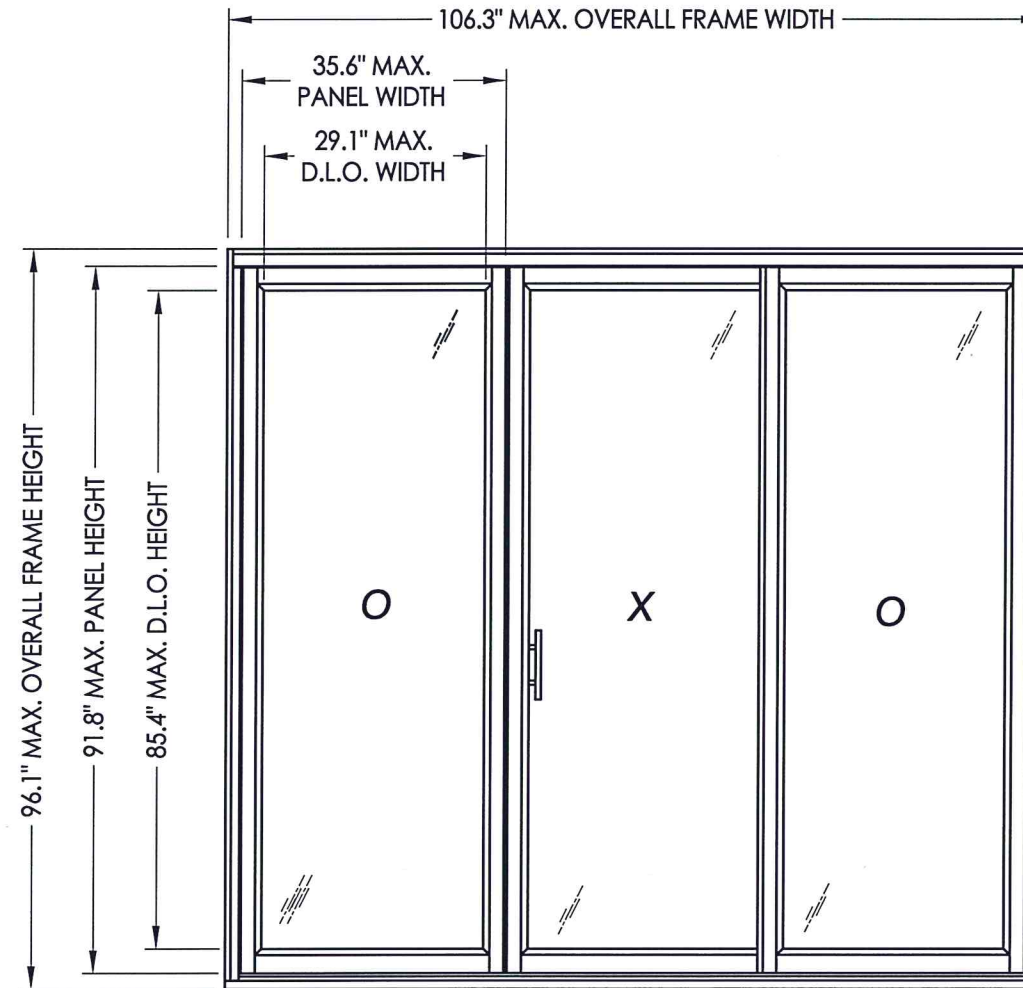
7700/9900 Series Vinyl Sliding Patio Door "NON-IMPACT"



Documents Prepared By: Lyndon F. Schmidt, P.E.
TEXAS P.E. #104123

RW BUILDING CONSULTANTS, INC.
P.O. Box 230 Valrico FL 33595
Phone No.: 813.659.9197

TEXAS BOARD OF PROFESSIONAL ENGINEERS
CERTIFICATE OF REGISTRATION # F-11852



EVALUATED FOR USE IN THE STATE OF TEXAS

TDI DR-684

The Wincore Sliding Patio Door described herein complies with the 2018 International Residential Code (IRC), Sections R301 & R609 and the 2018 International Building Code (IBC), Sections 1404.13, 1609, 1709.5, 2403 and 2404 subject to the following conditions:

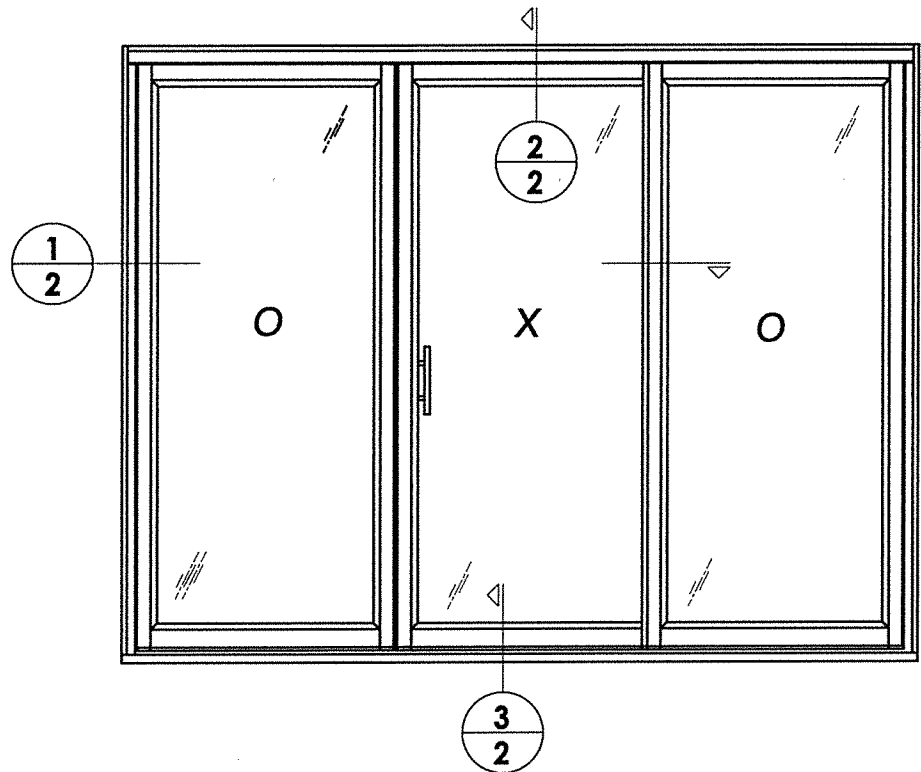
1. Anchors shall be as listed and spaced as shown in the details. Anchor embedment to base material shall be beyond wall dressing or stucco.
2. When used in areas requiring wind-borne debris protection this product is required to be protected with an impact resistant covering that complies with Section R301.2.1.2 of the IRC and Section 1609.1.2 of the IBC.
3. Allowable design pressure requirements must be equal to or less than the design pressure rating shown in the design pressure chart, sheet 1 of this drawing.
4. Conditions not covered by this drawing are subject to further engineering analysis.

TABLE OF CONTENTS

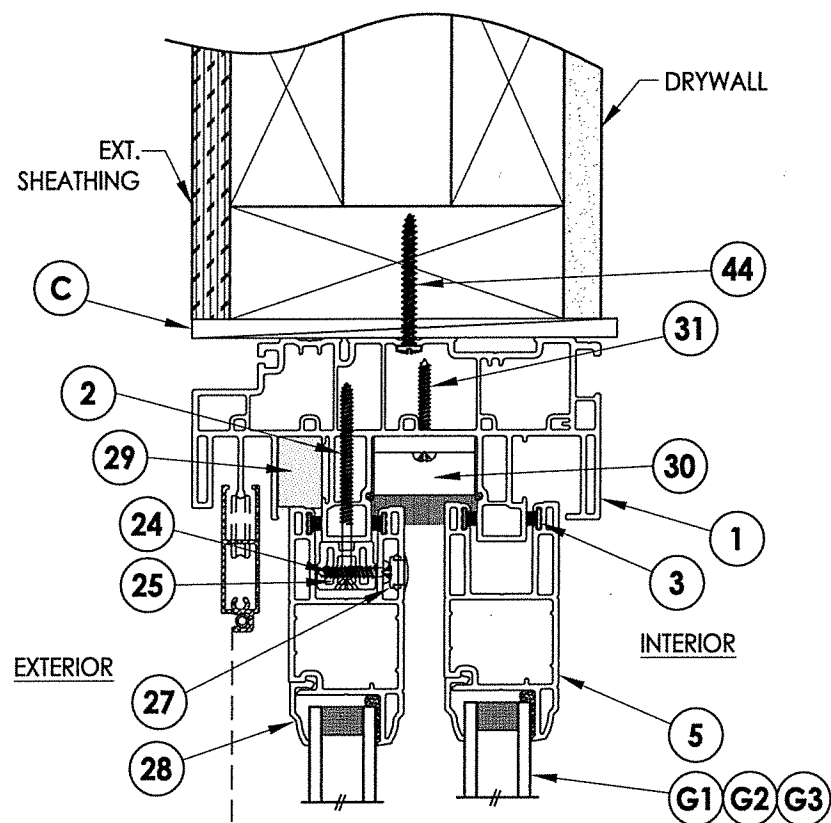
SHEET#	DESCRIPTION
1	Typical elevation, design pressures & general notes
2	Horizontal and vertical cross sections
3	Horizontal and vertical cross sections
4	Frame anchoring
5	Glazing details
6	Bill of materials & components

OVERALL FRAME DIMENSION	MAX. PANEL DIMENSION	MAX. D.L.O. DIMENSION	GLASS TYPE	DESIGN PRESSURE (PSF)	
				POSITIVE	NEGATIVE
106.3" x 81.9"	35.6" X 77.6"	29.1" X 71.2"	G1, G2, G3	+45.0	-45.0
106.3" x 96.1"	35.6" X 91.8"	29.1" X 85.4"	G1, G2, G3	+40.0	-40.0

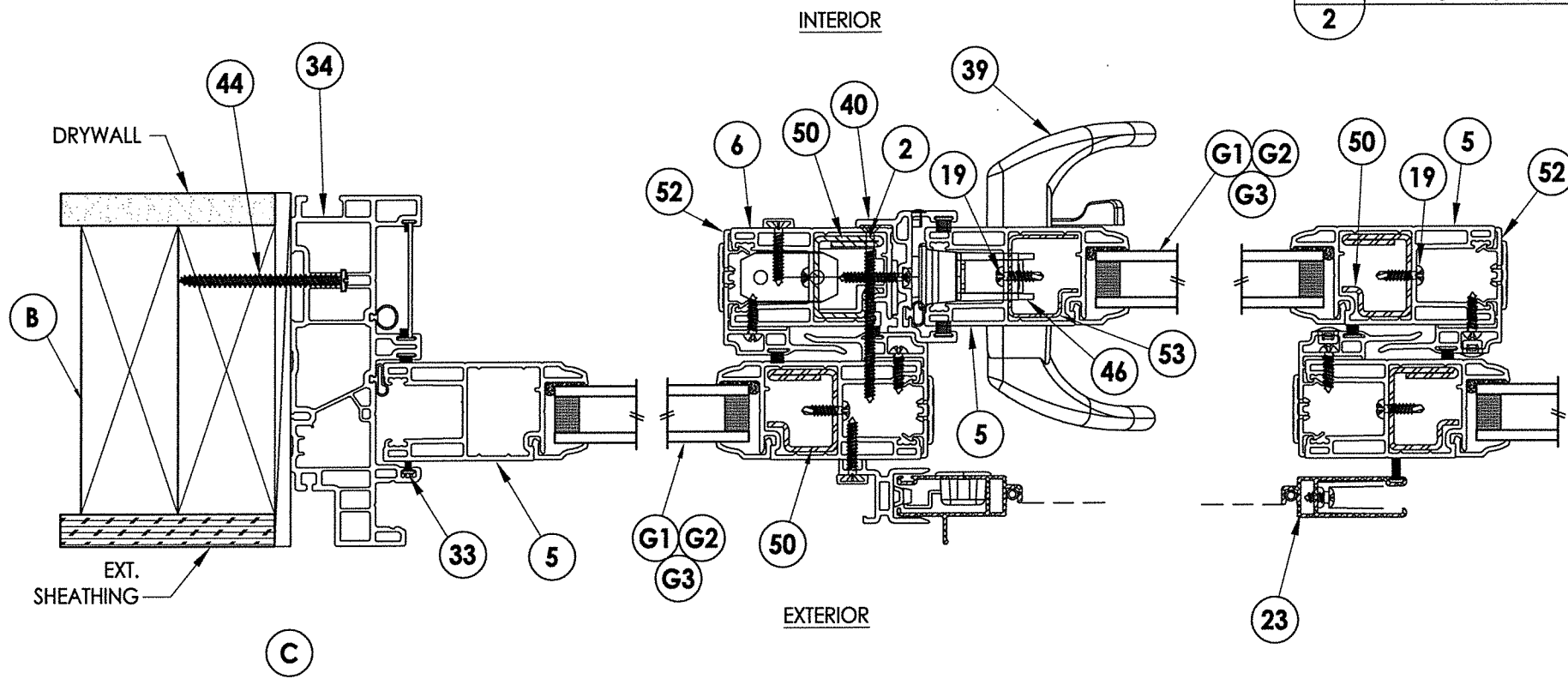
PRODUCT:	7000/9900 SERIES SLIDING PATIO DOORS
PART OR ASSEMBLY:	TYPICAL ELEVATION, DESIGN PRESSURES & GENERAL NOTES
NO.	1
DATE	6/10/20
UPDATE TO	2018 IBC/IRC
BY	LFS
REVISIONS	
DATE:	9/3/14
SCALE:	N.T.S.
DWG. BY:	JK
CHK. BY:	LFS
DRAWING NO.:	TX-4463
SHEET	1 OF 6



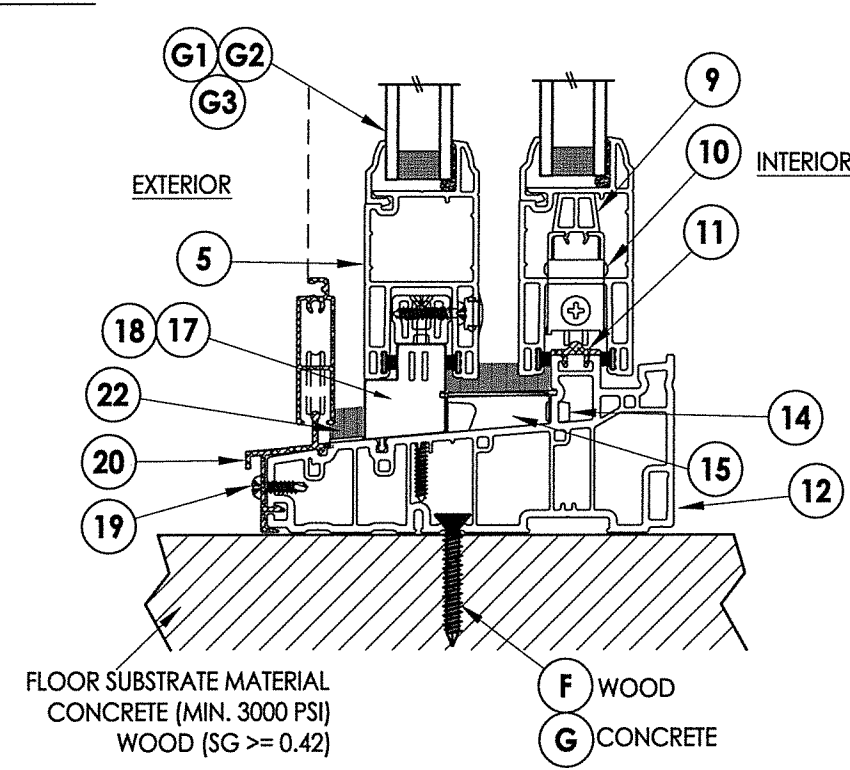
ANCHORING UP TO 106.3" X 81.9" FRAME SIZE



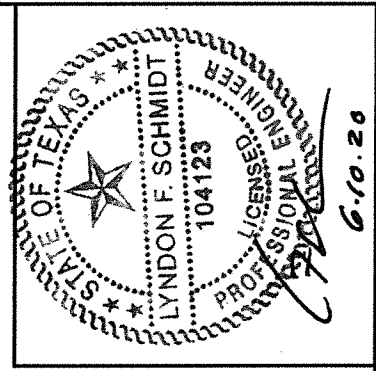
2 VERTICAL CROSS SECTION



1 HORIZONTAL CROSS SECTION



3 VERTICAL CROSS SECTION



Documents Prepared By: Lyndon F. Schmidt, P.E.
TEXAS P.E. #104123

RW BUILDING CONSULTANTS, INC.
P.O. Box 230 Vairico FL 33595
Phone No.: 813.659.9197

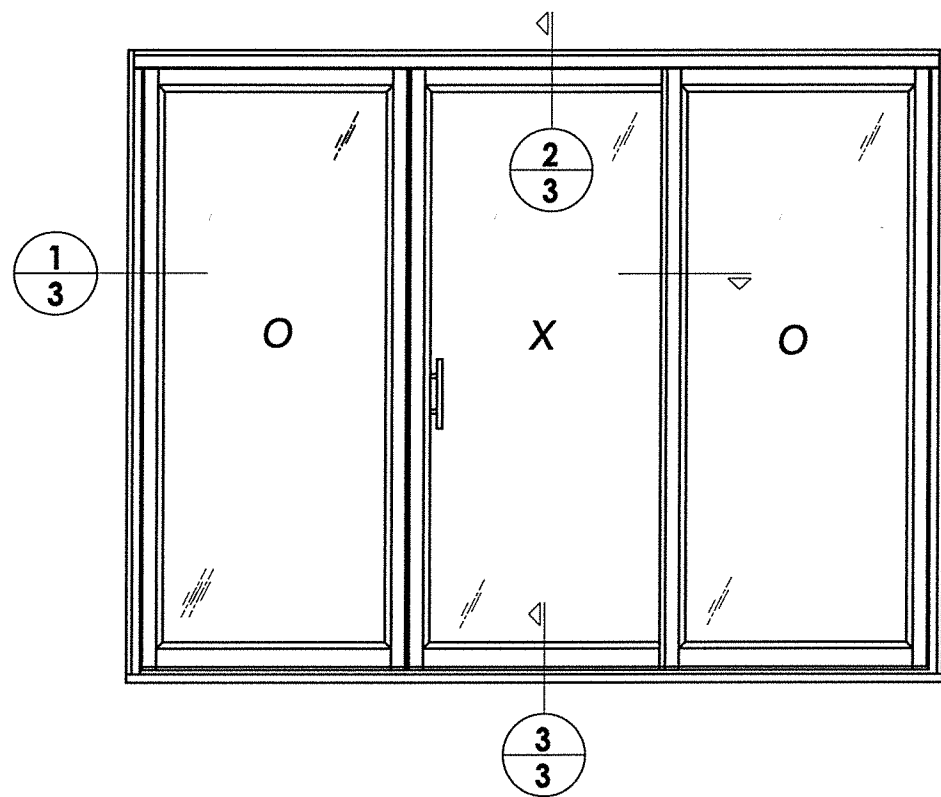
TEXAS BOARD OF PROFESSIONAL ENGINEERS
CERTIFICATE OF REGISTRATION # F-11852

PRODUCT: 7000/9900 SERIES SLIDING PATIO DOORS

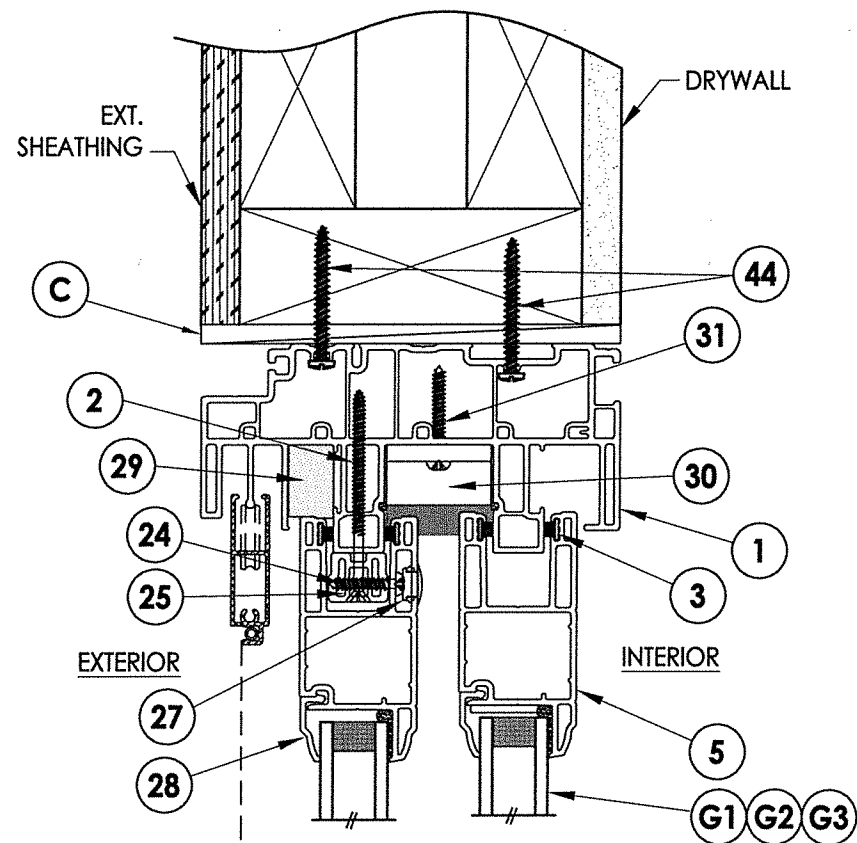
PART OR ASSEMBLY: HORIZONTAL CROSS SECTIONS

REVISIONS	
NO.	DATE
1	6/10/20
	UPDATE TO 2018 IBC/IRC
	LFS
	BY

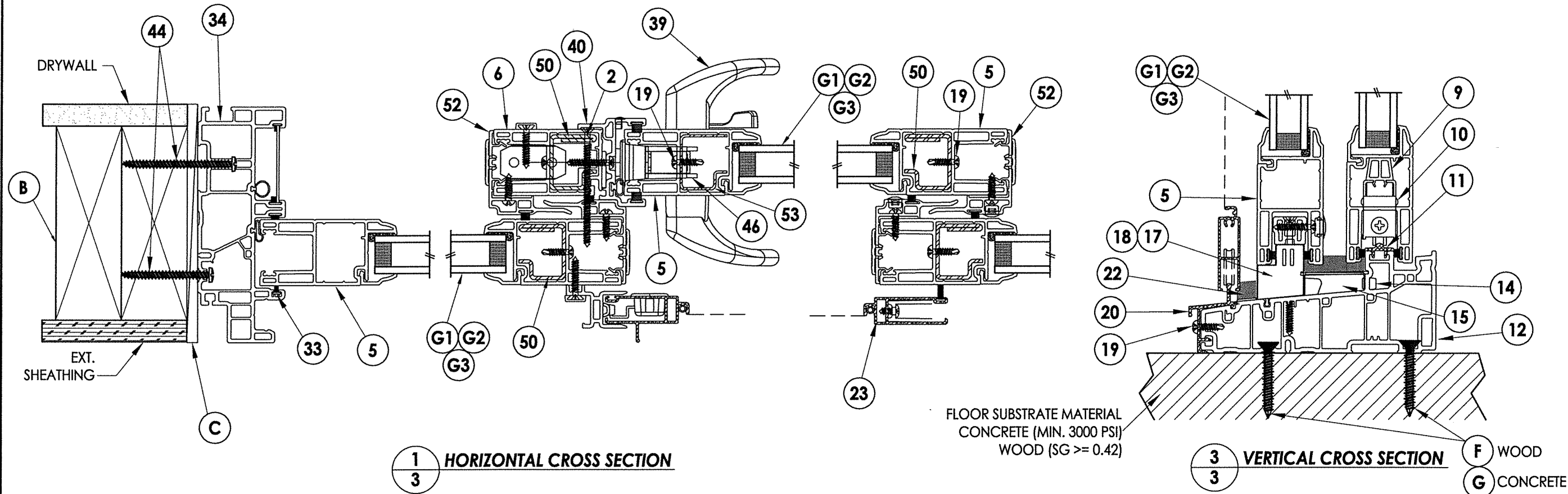
DATE: 9/3/14
SCALE: N.T.S.
DWG. BY: JK
CHK. BY: LFS
DRAWING NO.: TX-4463
SHEET 2 OF 6



ANCHORING UP TO 106.3" X 96.1" FRAME SIZE

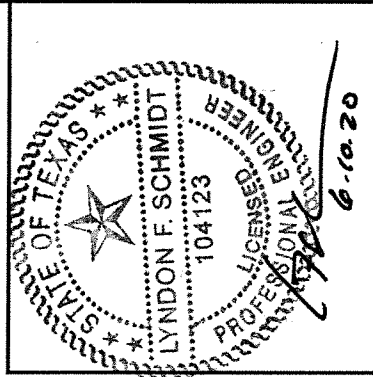


2
3 VERTICAL CROSS SECTION



1
3 HORIZONTAL CROSS SECTION

3
3 VERTICAL CROSS SECTION
F WOOD
G CONCRETE



Documents Prepared By: Lyndon F. Schmidt, P.E.
TEXAS P.E. #104123

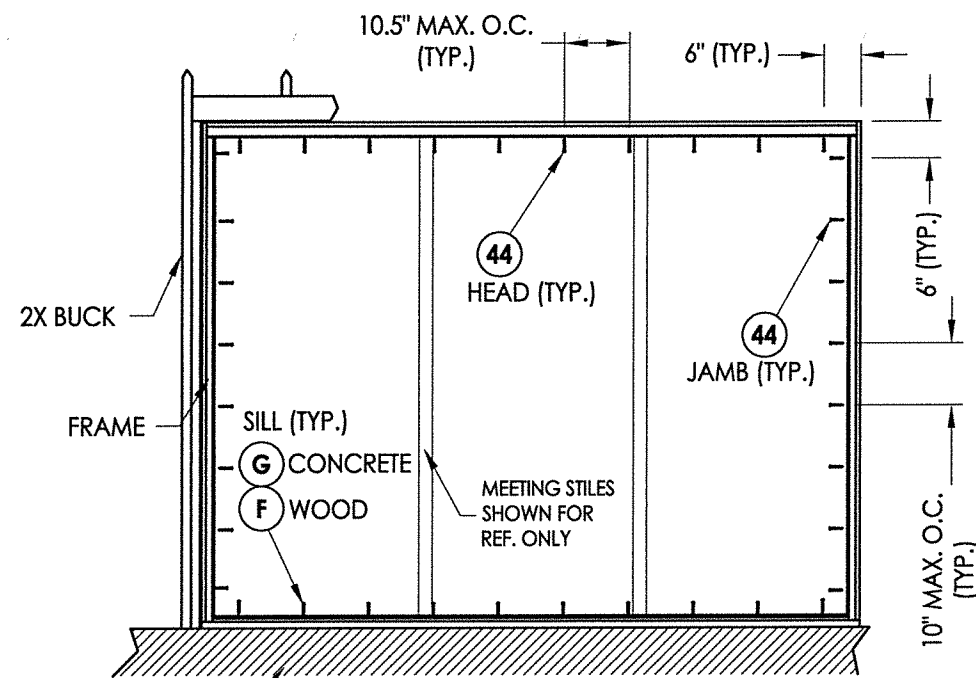
RW BUILDING CONSULTANTS, INC.
P.O. Box 230 Valrico FL 33595
Phone No.: 813.659.9197
TEXAS BOARD OF PROFESSIONAL ENGINEERS
CERTIFICATE OF REGISTRATION # F-11852

PRODUCT: 7000/9900 SERIES SLIDING PATIO DOORS
PART OR ASSEMBLY: HORIZONTAL CROSS SECTIONS

NO.	DATE	REVISIONS
1	6/10/20	UPDATE TO 2018 IBC/IRC
LFS		BY

DATE: 9/3/14
SCALE: N.T.S.
DWG. BY: JK
CHK. BY: LFS
DRAWING NO.: TX-4463
SHEET 3 OF 6

R:\Clients\Wincore PERMANENT\B - Texas Dept of Ins\Sliding Glass Doors\DR-684 Sliding Vinyl Doors\C - Drawings\2018 IBC UPDATE\TX-4461-64.dwg, 6.4

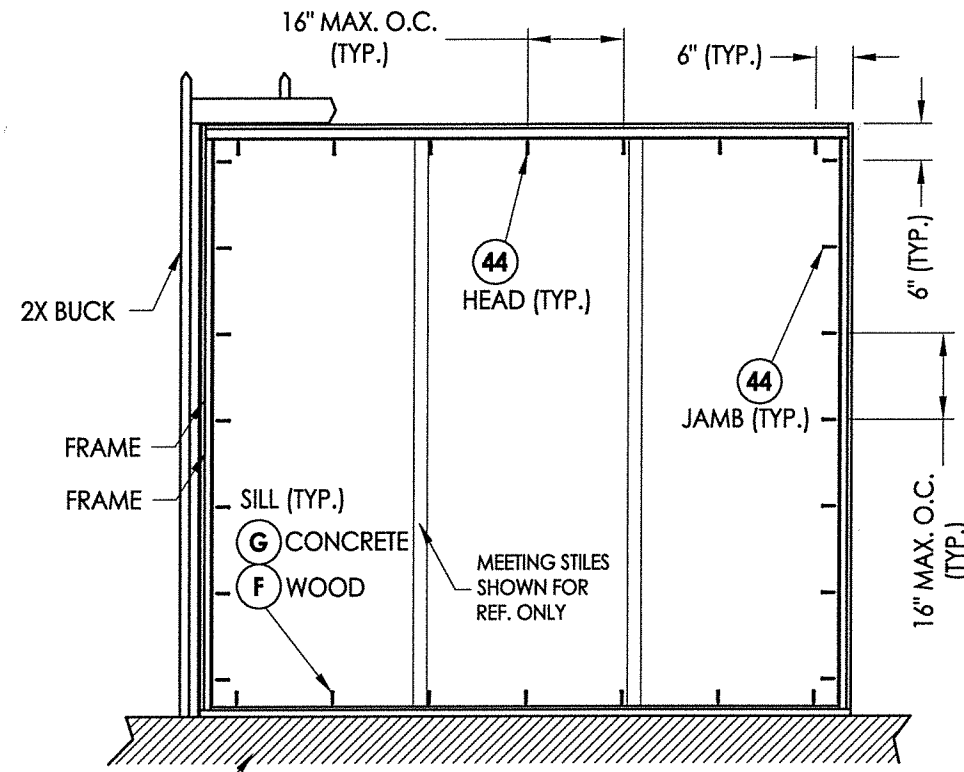


FLOOR SUBSTRATE MATERIAL (TYP.)
 CONCRETE (MIN. 3000 PSI)
 WOOD (G >= 0.42)

FRAME ANCHORING

NOTE: One (1) ANCHOR REQ'D @ EACH LOCATION SHOWN

ANCHORING UP TO 106.3" X 81.9" FRAME SIZE



FLOOR SUBSTRATE MATERIAL (TYP.)
 CONCRETE (MIN. 3000 PSI)
 WOOD (G >= 0.42)

FRAME ANCHORING

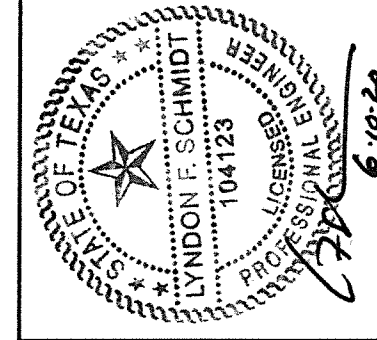
NOTE: TWO (2) ANCHORS REQ'D IN PAIRS @ EACH LOCATION SHOWN

ANCHORING UP TO 106.3" X 96.1" FRAME SIZE

CONCRETE ANCHOR NOTES:

1. Concrete anchor locations at the corners may be adjusted to maintain the min. edge distance to mortar joints.
2. Concrete anchor locations noted as "MAX. ON CENTER" must be adjusted to maintain the min. edge distance to mortar joints, additional concrete anchors may be required to ensure the "MAX. ON CENTER" dimension are not exceeded.
3. Concrete anchor table:

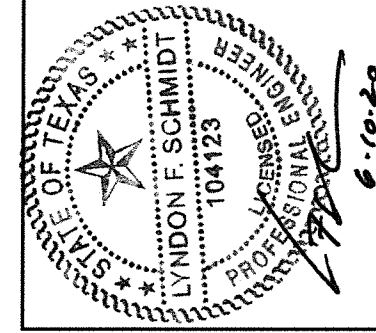
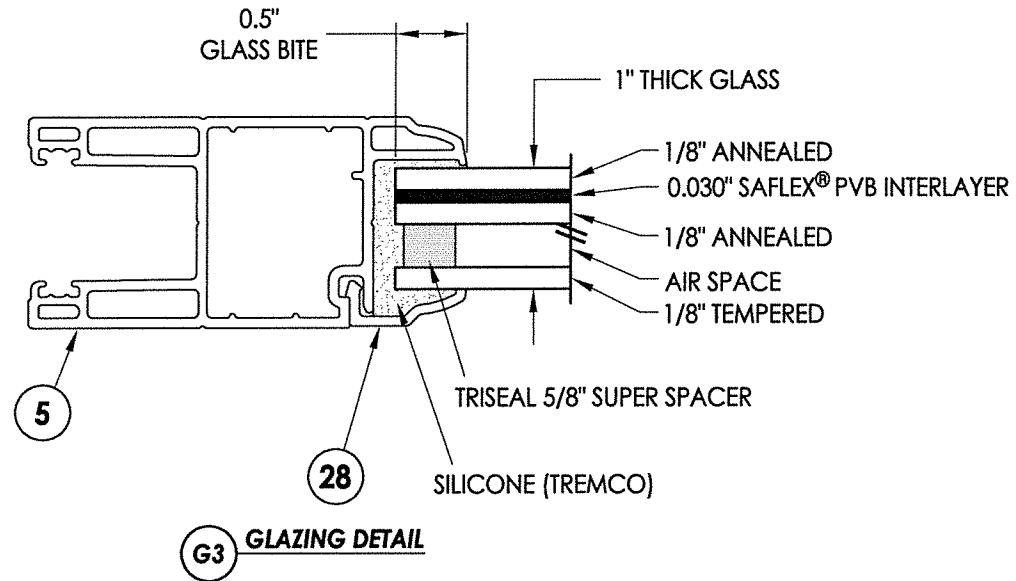
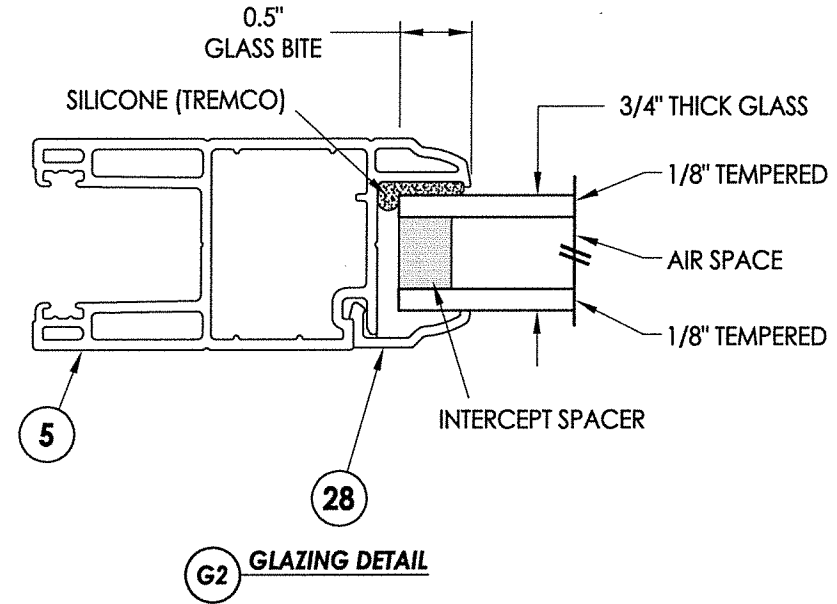
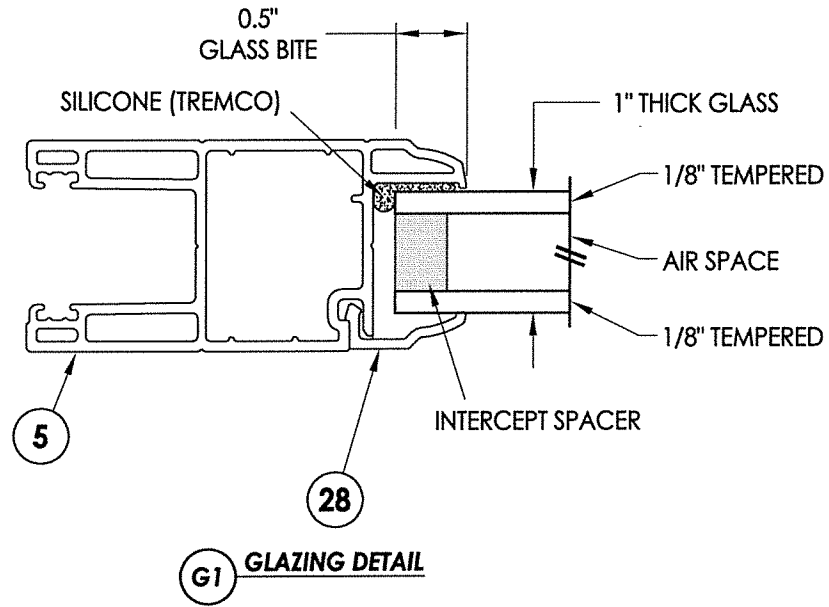
ANCHOR TYPE	ANCHOR SIZE	MIN. EMBEDMENT	MIN. CLEARANCE TO MASONRY EDGE	MIN. CLEARANCE TO ADJACENT ANCHOR
ITW TAPCON®	1/4"	1-3/4"	1-1/2"	4"
ELCO ULTRACON®	1/4"	1-3/4"	2-1/2"	3"



Documents Prepared By: Lyndon F. Schmidt, P.E.
 TEXAS P.E. #104123

RW BUILDING CONSULTANTS, INC.
 P.O. Box 230 Valrico FL 33595
 Phone No.: 813.659.9197
 TEXAS BOARD OF PROFESSIONAL ENGINEERS
 CERTIFICATE OF REGISTRATION # F-11852

PRODUCT:	7000/9900 SERIES SLIDING PATIO DOORS						
PART OR ASSEMBLY:	FRAME ANCHORING						
DATE:	9/3/14						
SCALE:	N.T.S.						
DWG. BY:	JK						
CHK. BY:	LFS						
DRAWING NO.:	TX-4463						
SHEET	4 OF 6						
REVISIONS	<table border="1"> <tr> <th>NO.</th> <th>DATE</th> <th>BY</th> </tr> <tr> <td>1</td> <td>6/10/20</td> <td>LFS</td> </tr> </table>	NO.	DATE	BY	1	6/10/20	LFS
NO.	DATE	BY					
1	6/10/20	LFS					



Documents Prepared By: Lyndon F. Schmidt, P.E.
TEXAS P.E. #104123

R.W. BUILDING CONSULTANTS, INC.
P.O. Box 230 Valrico FL 33595
Phone No.: 813.659.9197
TEXAS BOARD OF PROFESSIONAL ENGINEERS
CERTIFICATE OF REGISTRATION # F-11852

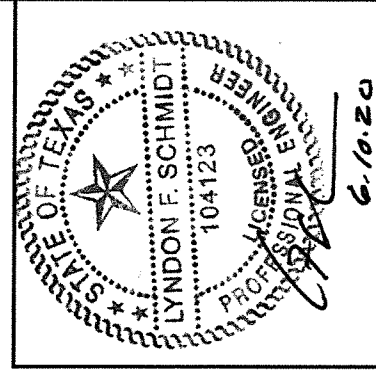
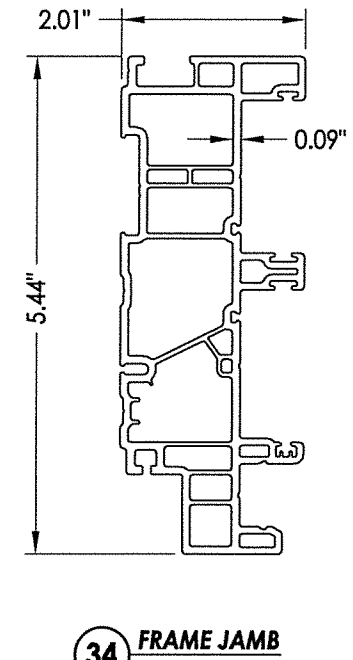
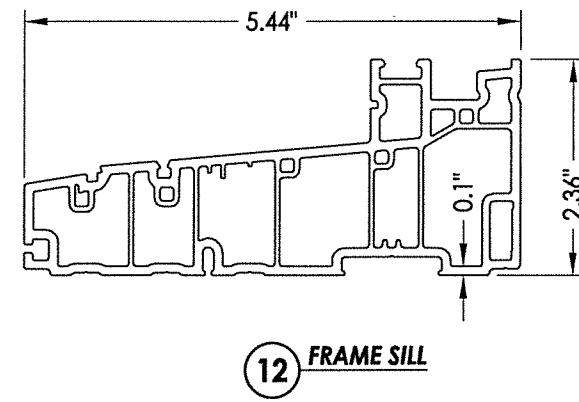
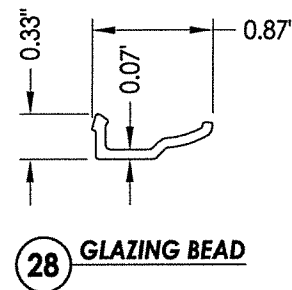
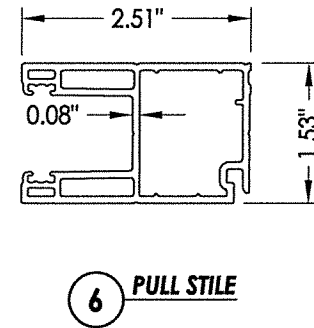
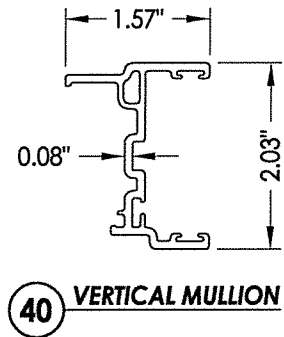
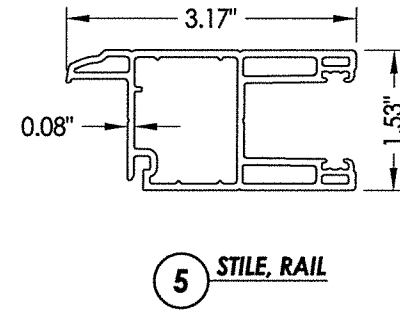
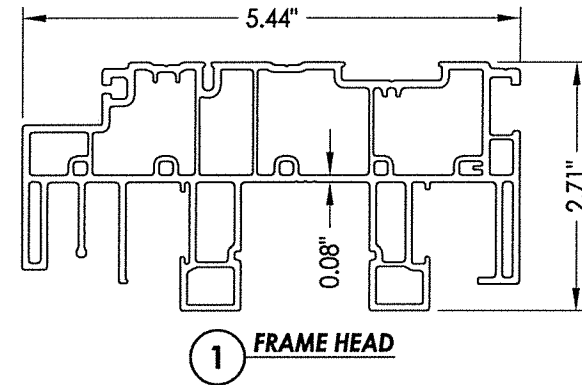
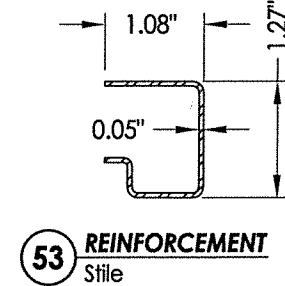
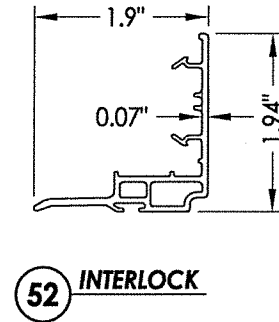
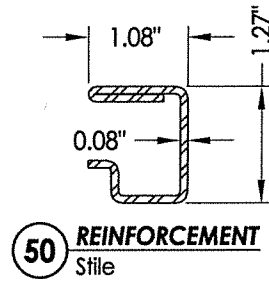
PRODUCT:	7000/9900 SERIES SLIDING PATIO DOORS	
PART OR ASSEMBLY:	GLAZING DETAILS	
NO.	DATE	BY
1	6/10/20	LFS
UPDATE TO 2018 IBC/IRC		
REVISIONS		
DATE:	9/3/14	
SCALE:	N.T.S.	
DWG. BY:	JK	
CHK. BY:	LFS	
DRAWING NO.:	TX-4463	
SHEET	5	OF 6

R:\Clients\Wincore PERMANENT\B - Texas Dept of Ins\Sliding Glass Doors\DR-684 Sliding Vinyl Doors\C - Drawings\2018 IBC UPDATE\TX-4461-64.dwg, 6.6

BILL OF MATERIALS

ITEM #	DESCRIPTION	MATERIAL
B	2X FRAMING (SG >= 0.42)	WOOD
C	1/4" MAX. SHIM SPACE	-
F	#10 PPH WOOD SCREW (1-3/8" MIN. EMBEDMENT REQ'D INTO WOOD)	STEEL
G	1/4" ELCO OR ITW CONCRETE SCREW (1-3/4" MIN. EMBEDMENT REQ'D. INTO CONCRETE)	STEEL
1	FRAME HEAD*	PVC
2	#8 x 2-3/4" FH QUADREX WOOD SCREW	STEEL
3	WEATHERSTRIP (SCHLEGEL #HF-7522-270)	-
5	STILE & RAIL*	PVC
6	FIXED MULLION*	PVC
9	SHIM	-
10	TANDEM WHEEL	NYLON
11	ROLLING RAIL	ALUM
12	SILL*	PVC
13	SILL DUST COVER*	PVC
14	SILL PLUG	NYLON
15	SILL WEATHERSEAL	-
17	LEFT CAP FOR SILL ADAPTER*	PVC
18	RIGHT CAP FOR SILL ADAPTER*	PVC
19	#8 X 5/8" PAN HEAD, SQUARE, SELF-DRILLING SCREW	STEEL
20	OUTSIDE SILL CLADDING	STEEL
22	INSECT STOP	-
23	SCREEN	-
24	#8 X 7/8" PAN HEAD, QUADREX, SCREW	STEEL
25	FIXED PANEL ANCHOR BLOCK*	PVC
26	ANCHOR STRAP	STEEL
27	SCREW CAP*	PVC
28	GLAZING BEAD*	PVC
29	FOAM PLUG	-
30	HEAD WEATHERSEAL	-
31	#8 X 1-1/4" PAN HEAD, QUADREX, SCREW	STEEL
32	SASH STOPPER	EPDM
33	WEATHERSTRIP	-
34	FRAME JAMB*	PVC
35	WEATHERSTRIP	-
39	HANDLE KIT	STEEL
40	VERTICAL MULLION*	PVC
44	#10 PPH WOOD SCREW (1-3/8" MIN. EMBEDMENT REQ'D INTO WOOD)	STEEL
46	STAINLESS STEEL DOUBLE POINT MORTISE LOCK KIT	STEEL
47	SASH COVERING CAP*	PVC
48	LOCK PLUG*	PVC
50	STILE REINFORCEMENT	STEEL
51	#8 X 2" TRUSS HEAD QUADREX SCREW	STEEL
52	INTERLOCK*	PVC
53	STILE REINFORCEMENT	STEEL
54	Q-LON WEATHERSTRIP (SCHLEGEL NO. QEZ 345)	-

* THE APPROVED WHITE RIGID PVC EXTERIOR EXTRUSIONS FOR WINDOWS ARE TO BE PRODUCED BY EXTRUDERS LICENSEES IN "CERTIFICATION PROGRAMS FOR RIGID PVC EXTRUSIONS".



Documents Prepared By: Lyndon F. Schmidt, P.E.
TEXAS P.E. #104123

RW BUILDING CONSULTANTS, INC.
P.O. Box 230 Valrico FL 33595
Phone No.: 813.659.9197

TEXAS BOARD OF PROFESSIONAL ENGINEERS
CERTIFICATE OF REGISTRATION # F-11852

PRODUCT: 7000/9900 SERIES
SLIDING PATIO DOORS

PART OR ASSEMBLY:
BILL OF MATERIALS
& COMPONENTS

NO.	DATE	REVISIONS	BY
1	6/10/20	UPDATE TO 2018 IBC/IRC	LFS

DATE: 9/3/14
SCALE: N.T.S.
DWG. BY: JK
CHK. BY: LFS
DRAWING NO.: TX-4463
SHEET 6 OF 6

© 2014 R.W. BUILDING CONSULTANTS INC.