

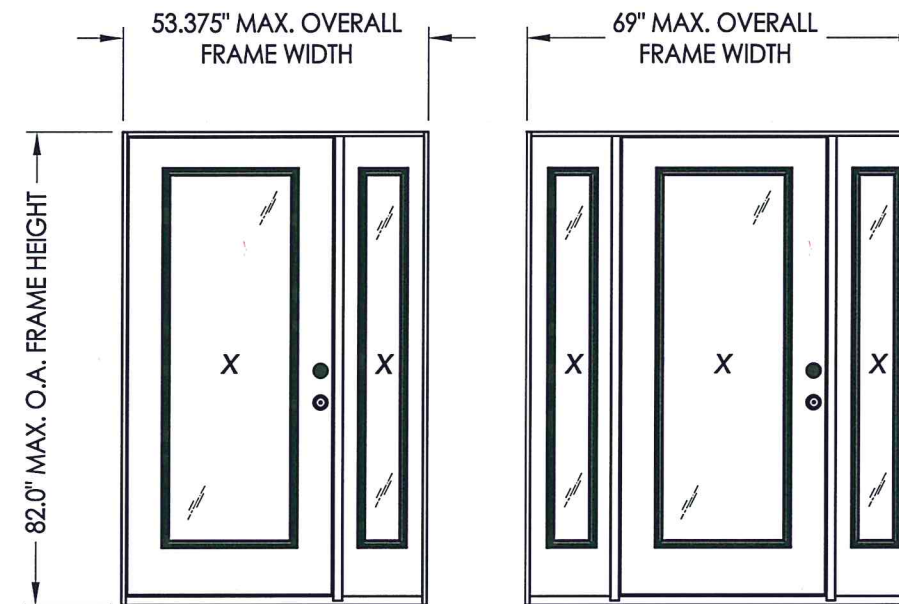
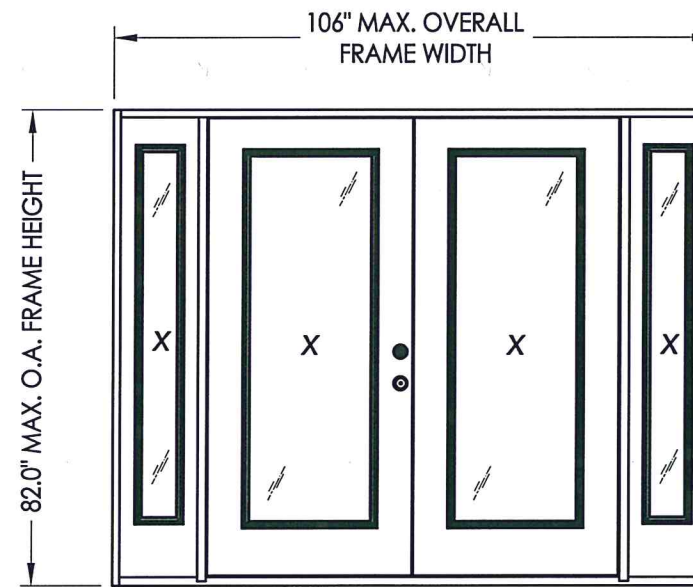
"VENTED" SIDELITES w/ GLAZED FIBERGLASS DOOR IN SWING "NON-IMPACT"

EVALUATED FOR USE IN THE STATE OF TEXAS

The Fiberglass Door system described herein complies with the 2018 International Residential Code (IRC), Sections R301 & R609 and the 2018 International Building Code (IBC), Sections 1404.13, 1609, 1709.5, 2403 and 2404 subject to the following conditions:

1. Anchors shall be as listed and spaced as shown in the details. Anchor embedment to base material shall be beyond wall dressing or stucco.
2. When used in areas requiring wind-borne debris protection, this system is required to be protected with an impact resistant covering that complies with Section R301.2.1.2 of the IRC and Section 1609.2 of the IBC.
3. Allowable design pressure requirements must be equal to or less than the design pressure rating shown in the design pressure chart, sheet 1 of this drawing.
4. Conditions not covered by this drawing are subject to further engineering analysis.
5. Smooth-Star Door and Sidelite panels require the use of "J" part numbers. These door and sidelite panels must be stained or painted within six months of installation.

TABLE OF CONTENTS	
SHEET#	DESCRIPTION
1	Typical elevations, design pressures & general notes
2	Door panel details
3	Sidelite panel details and glazing details
4	Elevations
5	Horizontal cross sections
6	Vertical cross sections
7	Frame anchoring
8	Hardware details
9	Hardware strike details
10	Bill of materials and components



CONFIGURATION	MAX. FRAME DIMENSION	DESIGN PRESSURE (PSF) Multi-Point Door Lock		DESIGN PRESSURE (PSF) Lock & Deadbolt	
		POSITIVE	NEGATIVE	POSITIVE	NEGATIVE
XX	53.375" x 82.0"	+40.0	-40.0	+40.0	-40.0
XXX	69.0" x 82.0"	+40.0	-40.0	+40.0	-40.0
XXXX	106.0" x 82.0"	+50.0	-50.0	+40.0	-40.0



Documents Prepared By: Lyndon F. Schmidt, P.E.
TEXAS P.E. #104123

RW BUILDING CONSULTANTS, INC.
P.O. Box 230 Valrico FL 33595
Phone No.: 813.659.9197

TEXAS BOARD OF PROFESSIONAL ENGINEERS
CERTIFICATE OF REGISTRATION # F-11852

PRODUCT: THERMA-TRU

PART OR ASSEMBLY: TYPICAL ELEVATION, DESIGN PRESSURES & GENERAL NOTES

NO.	DATE	REVISIONS
2	5/13/20	UPDATE TO 2018 IRC/IBC CODE
1	7/21/15	ADDED GENERAL NOTE 5.

DATE: 1/2/13

SCALE: N.T.S.

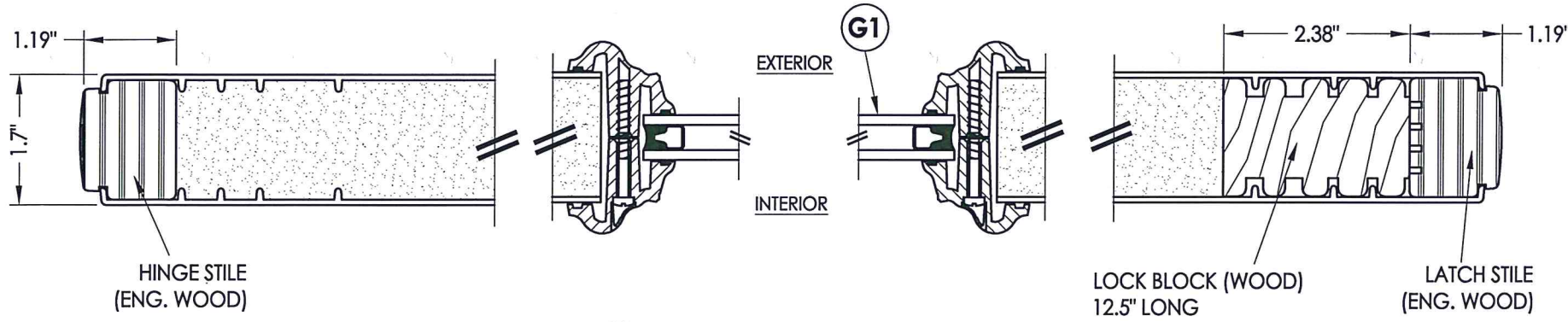
DWG. BY: JK

CHK. BY: LFS

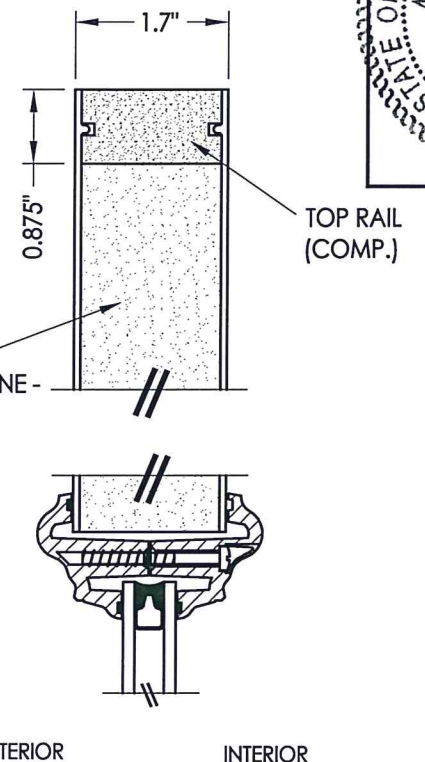
DRAWING NO.: TX-4297

SHEET 1 OF 10

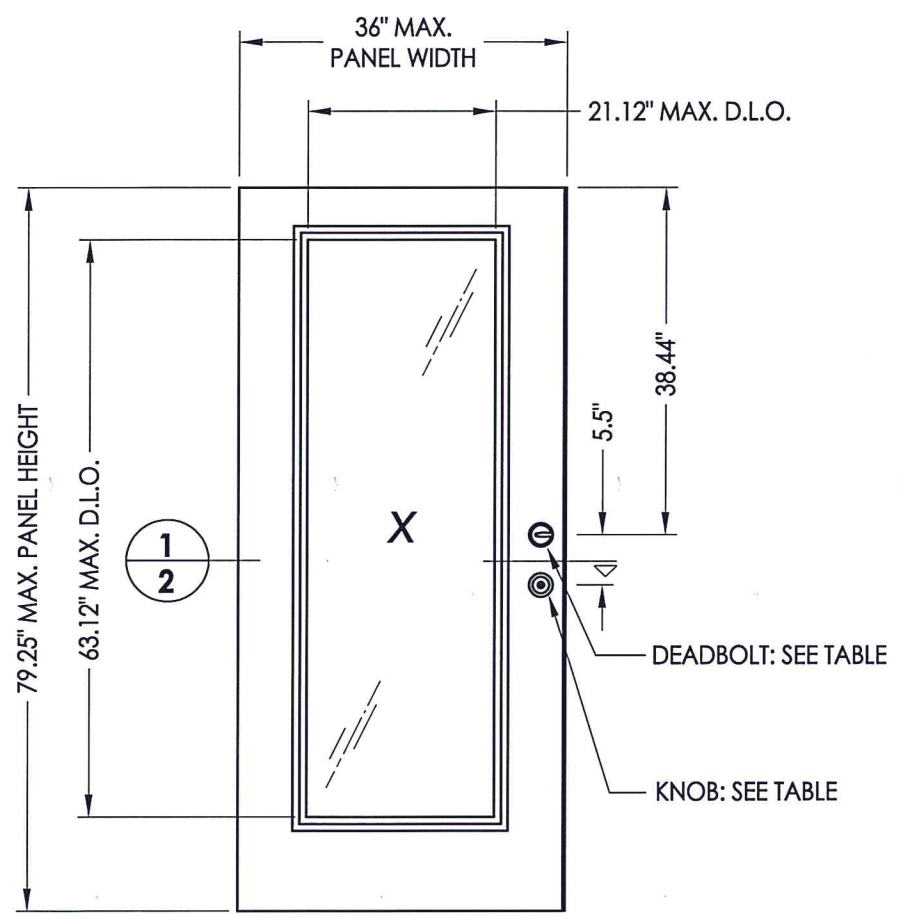
R:\Clients\Therma Tru PERMANENT\B - Texas Dept of Ins\TDI - DR 647 - 68 Glazed Benchmark FG NonImp IS Vented Sidelites\C - Drawings\TX-4297.dwg, 2.2



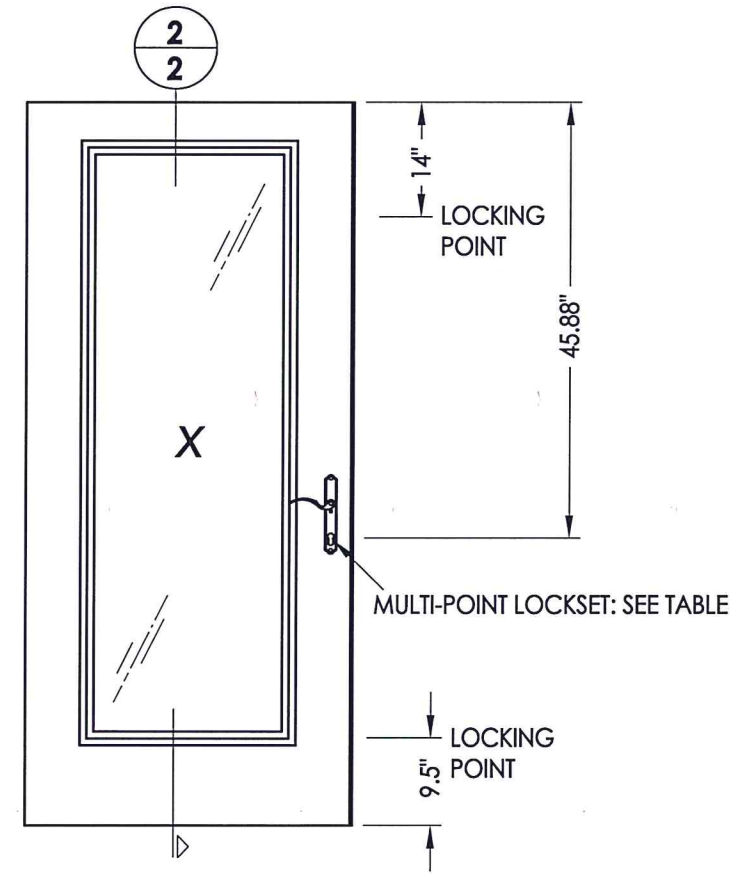
1
2 HORIZONTAL CROSS SECTION



2
2 VERTICAL CROSS SECTION



40 DOOR PANEL (SMOOTH STAR BMT)
Latch & Deadbolt



40 DOOR PANEL (SMOOTH STAR BMT)
Multi-point Lockset

HARDWARE TABLE		
MANUFACTURER	MODEL	
KWIKSET	KNOB:	SIGNATURE SERIES
	DEADBOLT:	SIGNATURE SERIES (780)
HOPPE	MULTI-POINT:	HLS 9000 SERIES



Documents Prepared By: Lyndon F. Schmidt, P.E.
TEXAS P.E. #104123

RW BUILDING CONSULTANTS, INC.
P.O. Box 230 Valrico FL 33595
Phone No.: 813.659.9197

TEXAS BOARD OF PROFESSIONAL ENGINEERS
CERTIFICATE OF REGISTRATION # F-11852

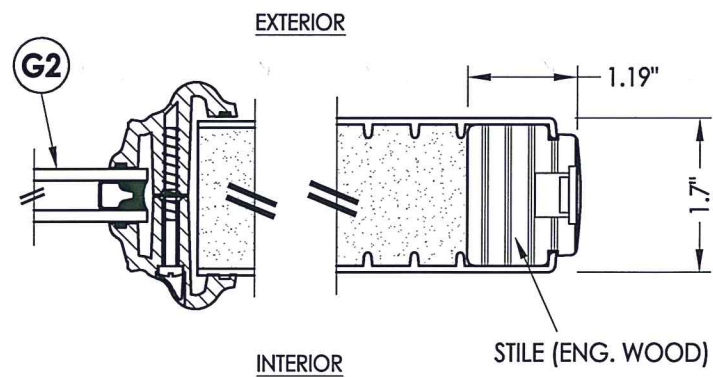
PRODUCT: THERMA-TRU

PART OR ASSEMBLY: DOOR PANEL DETAILS

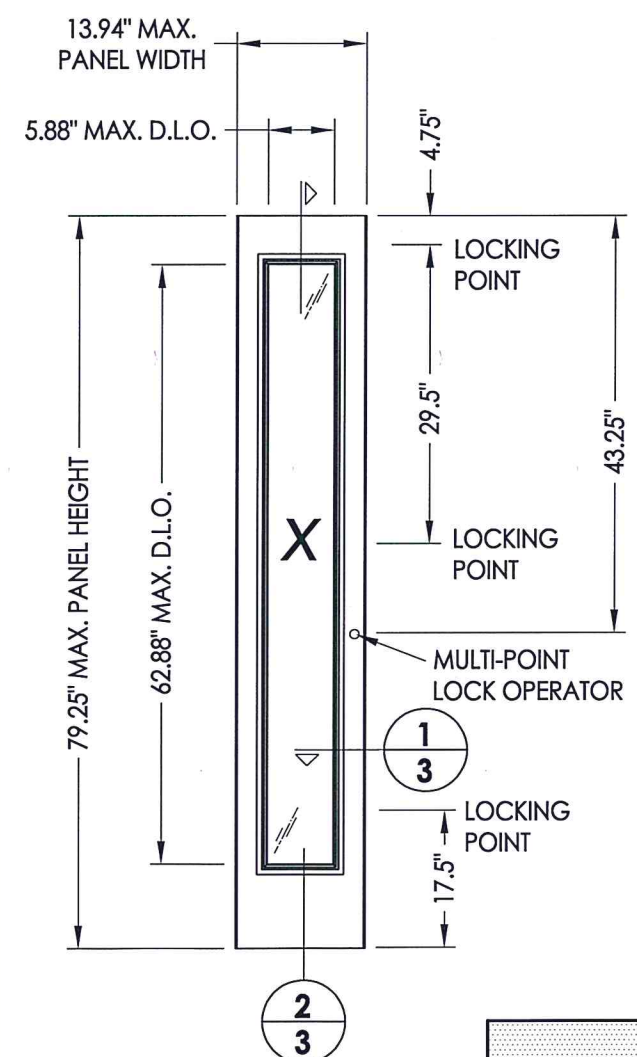
NO.	DATE	BY	REVISIONS
2	5/13/20	LFS	UPDATE TO 2018 IBC/IRC CODE
1	7/21/15	LFS	ADDED GENERAL NOTE 5.

DATE: 1/2/13
SCALE: N.T.S.
DWG. BY: JK
CHK. BY: LFS
DRAWING NO.: TX-4297
SHEET 2 OF 10

R:\Clients\Therma Tru PERMANENT\B - Texas Dept of Ins\TDI - DR 647 - 68 Glazed Benchmark FG NonImp IS Vented Sidelites\C - Drawings\TX-4297.dwg, 3.2

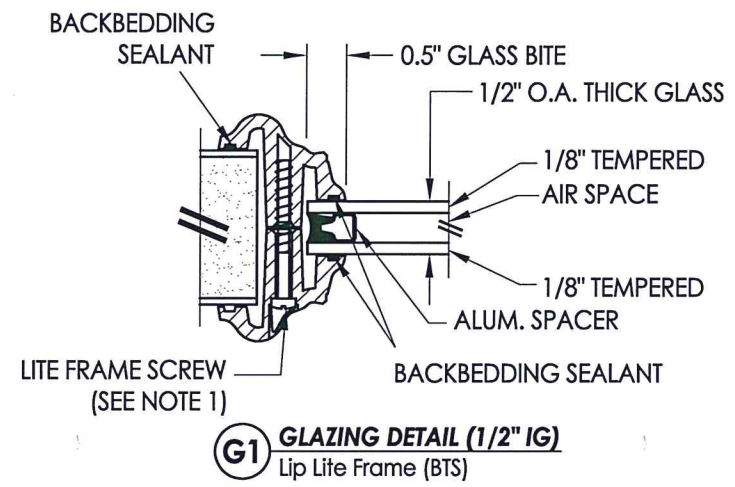


1 HORIZONTAL CROSS SECTION
3 Lip Lite Glazing

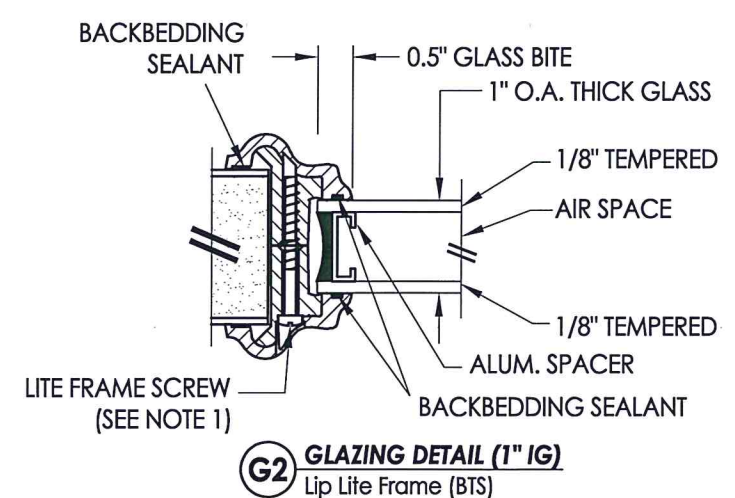


50 SIDELITE PANEL
VENTED

HARDWARE TABLE	
MANUFACTURER	MODEL
HOPPE	MULTI-POINT: OSL SERIES (Sidelite)

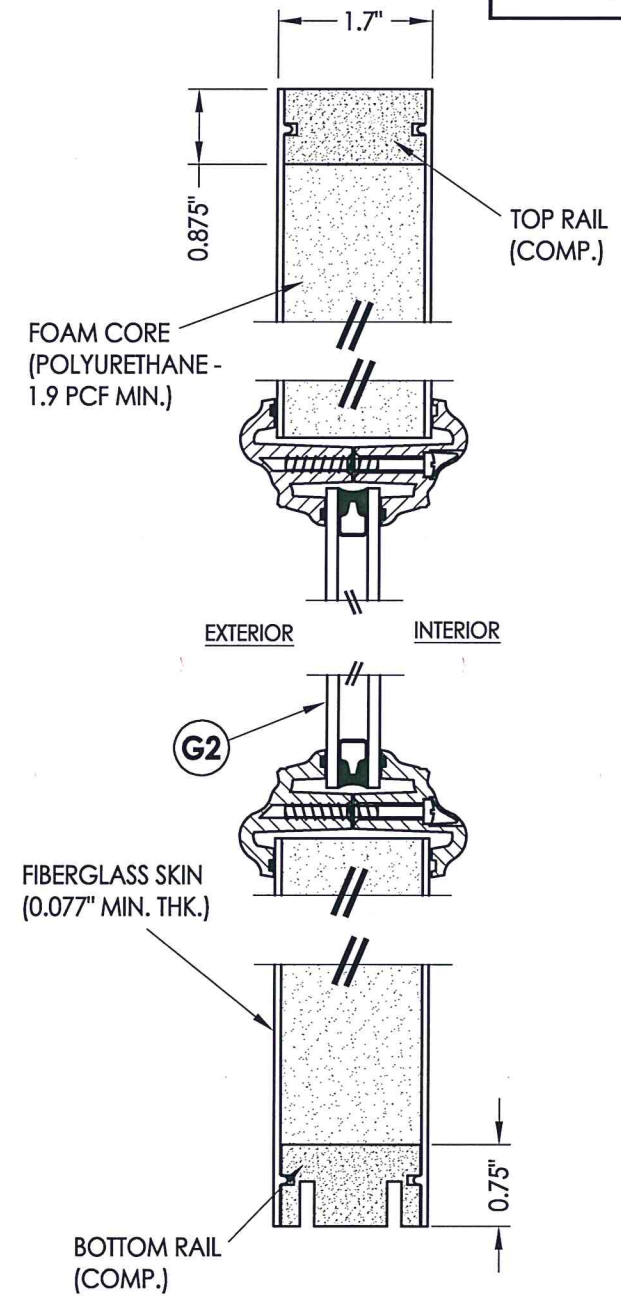


G1 GLAZING DETAIL (1/2" IG)
Lip Lite Frame (BTS)



G2 GLAZING DETAIL (1" IG)
Lip Lite Frame (BTS)

NOTE:
1. Lite frame screws (#8 x 1-1/2" PH SMS), 14 total per sidelite, evenly spaced.
2. Lite frame screws (#8 x 1-1/2" PH SMS), 18 total per door, evenly spaced.



2 VERTICAL CROSS SECTION
3



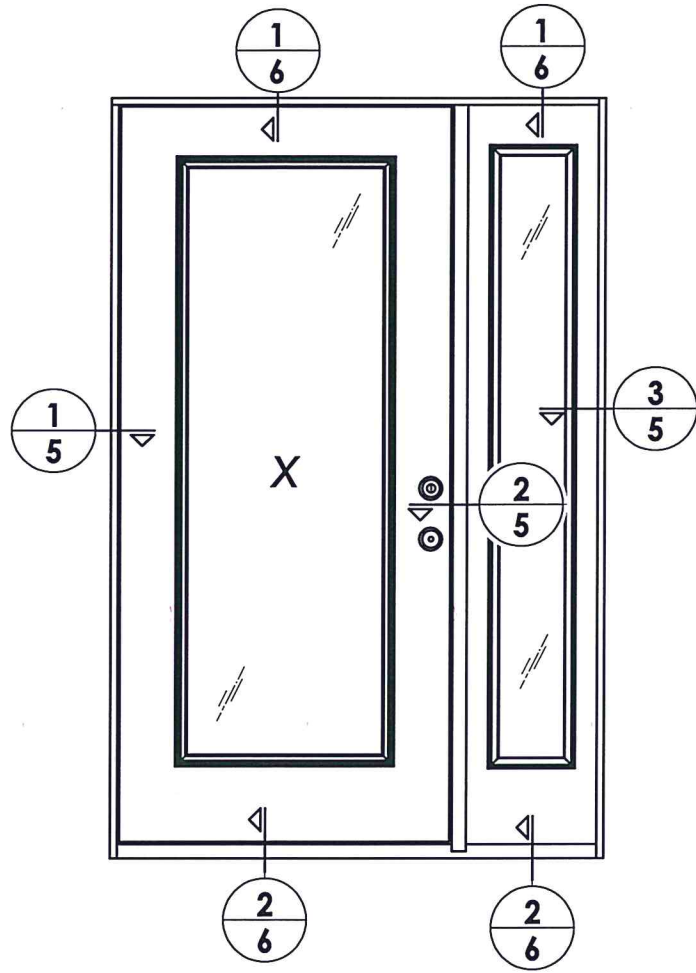
Documents Prepared By: Lyndon F. Schmidt, P.E.
TEXAS P.E. #104123

RW BUILDING CONSULTANTS, INC.
P.O. Box 230 Valrico FL, 33595
Phone No.: 813.659.9197

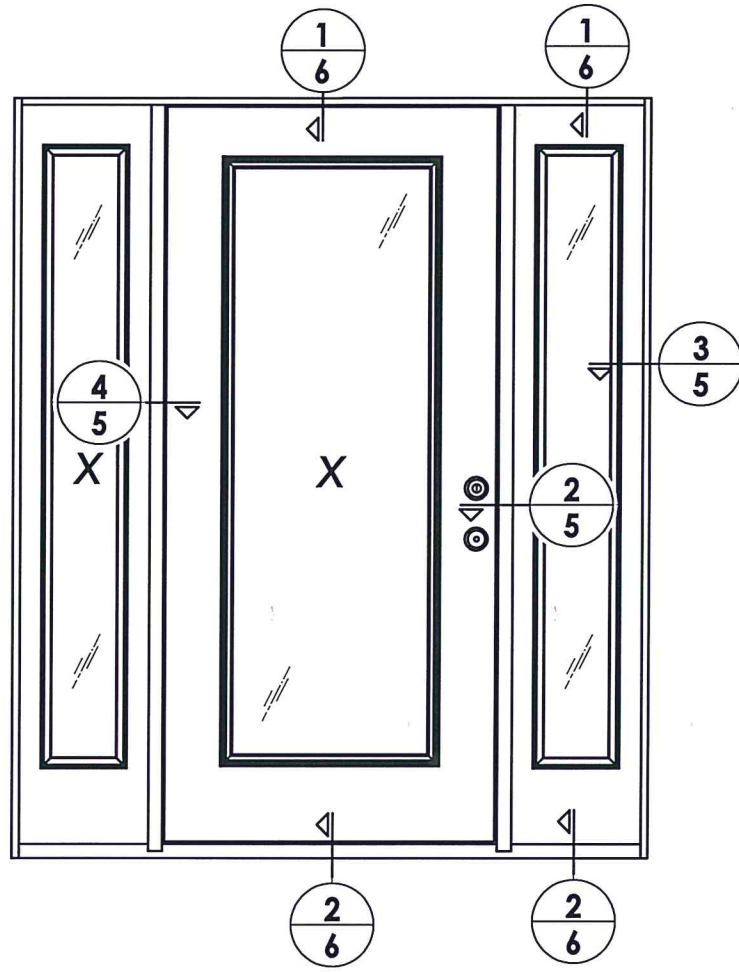
TEXAS BOARD OF PROFESSIONAL ENGINEERS
CERTIFICATE OF REGISTRATION # F-11852

PRODUCT:	Therma-TRU	
PART OR ASSEMBLY:	SIDELITE PANEL DETAILS & GLAZING DETAILS	
NO.	DATE	BY
2	5/13/20	LFS
1	7/21/15	LFS
REVISIONS		
DATE:	1/2/13	
SCALE:	N.T.S.	
DWG. BY:	JK	
CHK. BY:	LFS	
DRAWING NO.:	TX-4297	
SHEET	3 OF 10	

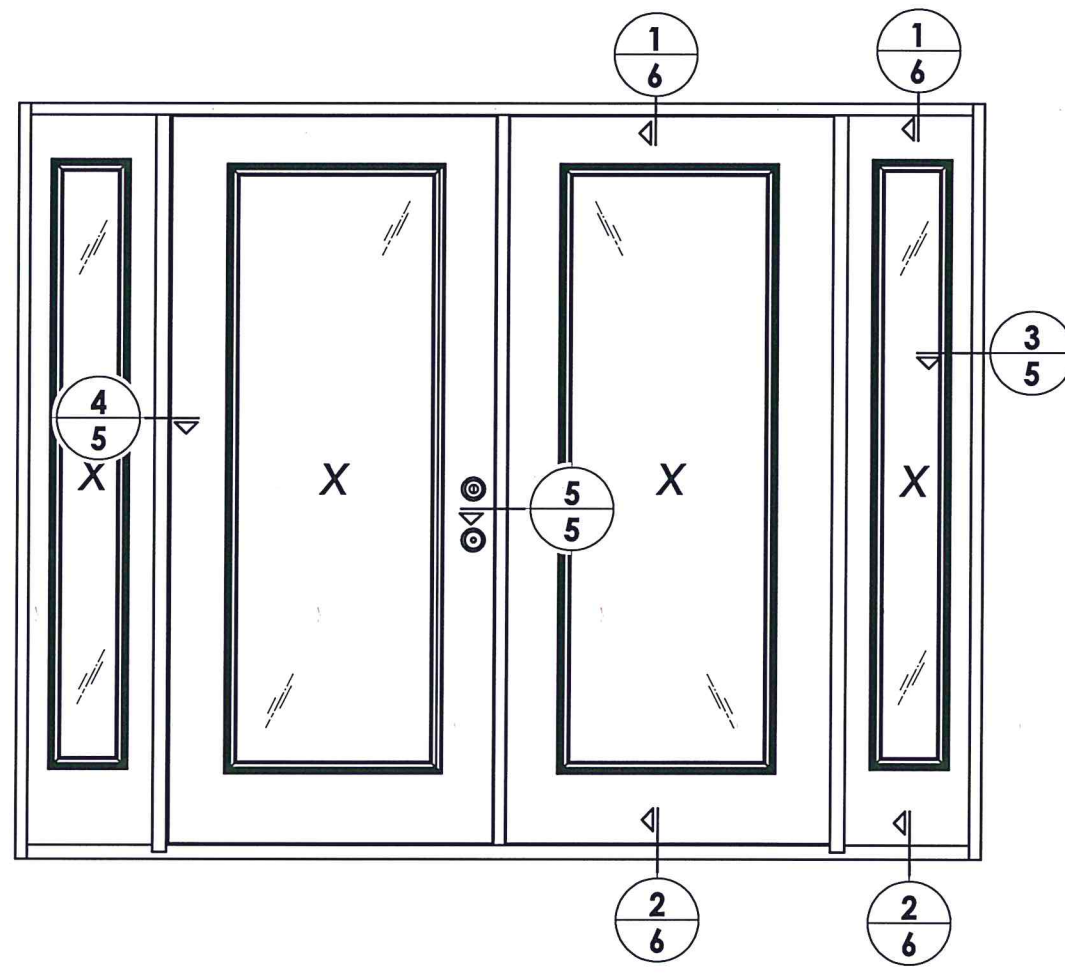
© 2013 R.W. BUILDING CONSULTANTS INC.



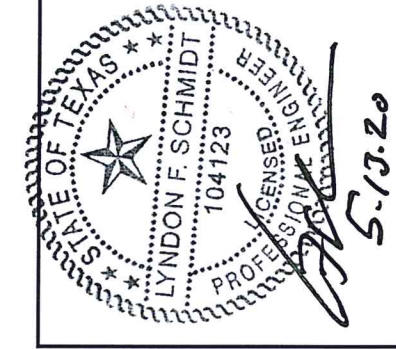
ELEVATION
XX



ELEVATION
XXX



ELEVATION
XXXX



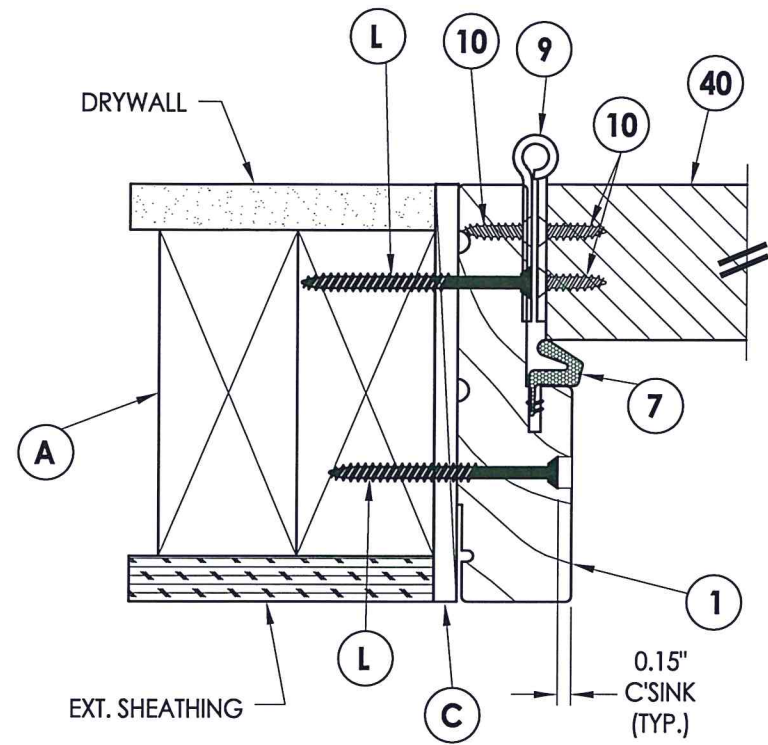
Documents Prepared By: Lyndon F. Schmidt, P.E.
TEXAS P.E. #104123

RW BUILDING CONSULTANTS, INC.
P.O. Box 230 Valrico FL 33595
Phone No.: 813.659.9197

TEXAS BOARD OF PROFESSIONAL ENGINEERS
CERTIFICATE OF REGISTRATION # F-11852

PRODUCT: THERMA-TRU	
PART OR ASSEMBLY: ELEVATIONS	
NO.	DATE
2	5/13/20
1	7/21/15
REVISIONS	
DATE: 1/2/13	
SCALE: N.T.S.	
DWG. BY: JK	
CHK. BY: LFS	
DRAWING NO.: TX-4297	
SHEET 4 OF 10	

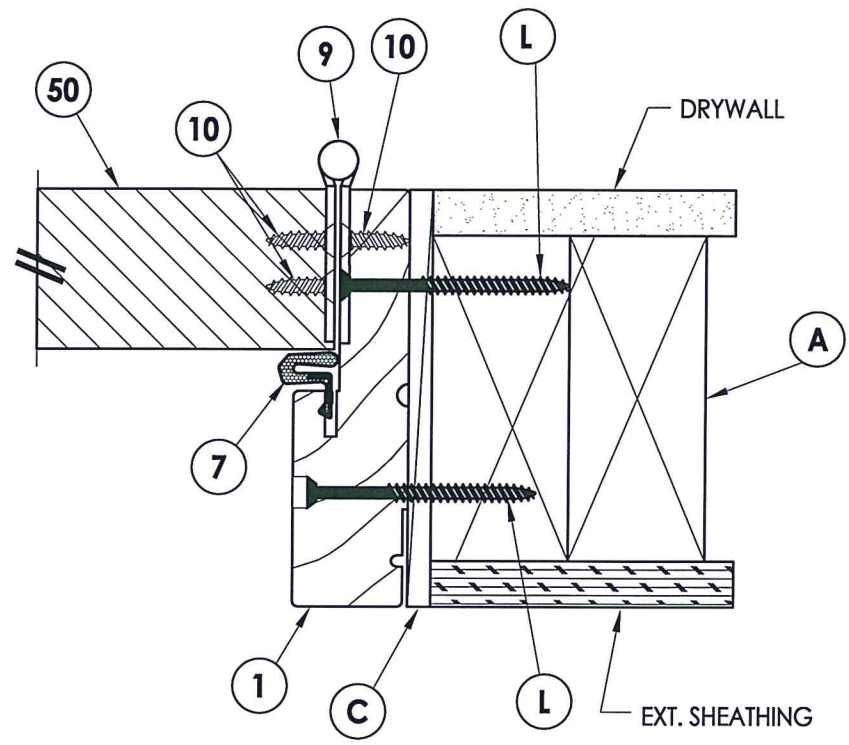
R:\Clients\Therma Tru PERMANENT\B - Texas Dept of Ins\TDI - DR 647 - 68 Glazed Benchmark FG NonImp IS Vented Sidelites\C - Drawings\TX-4297.dwg, 5.2



1
5 HORIZONTAL CROSS SECTION

INTERIOR

EXTERIOR



3
5 HORIZONTAL CROSS SECTION



Documents Prepared By: Lyndon F. Schmidt, P.E.
TEXAS P.E. #104123

RW BUILDING CONSULTANTS, INC.
P.O. Box 230 Valrico FL, 33595
Phone No.: 813.659.9197

TEXAS BOARD OF PROFESSIONAL ENGINEERS
CERTIFICATE OF REGISTRATION # F-11852

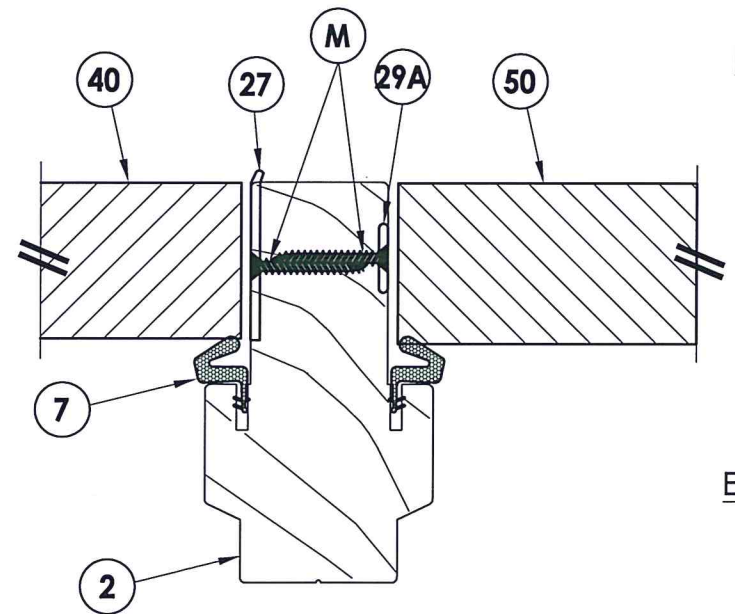
PRODUCT: THERMA-TRU

PART OR ASSEMBLY: HORIZONTAL CROSS SECTIONS

NO.	DATE	BY
2	5/13/20	LFS
1	7/21/15	LFS

UPDATE TO 2018 IBC/IRC CODE
ADDED GENERAL NOTE 5.

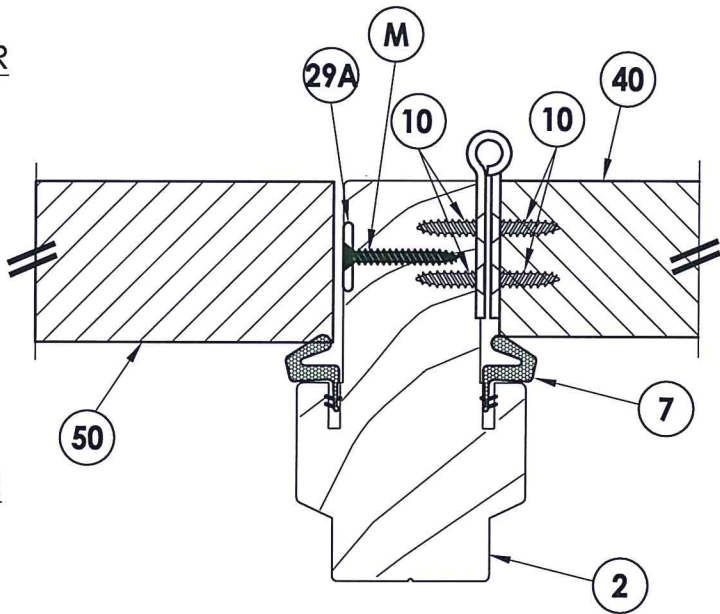
DATE: 1/2/13
SCALE: N.T.S.
DWG. BY: JK
CHK. BY: LFS
DRAWING NO.: TX-4297
SHEET 5 OF 10



2
5 HORIZONTAL CROSS SECTION

INTERIOR

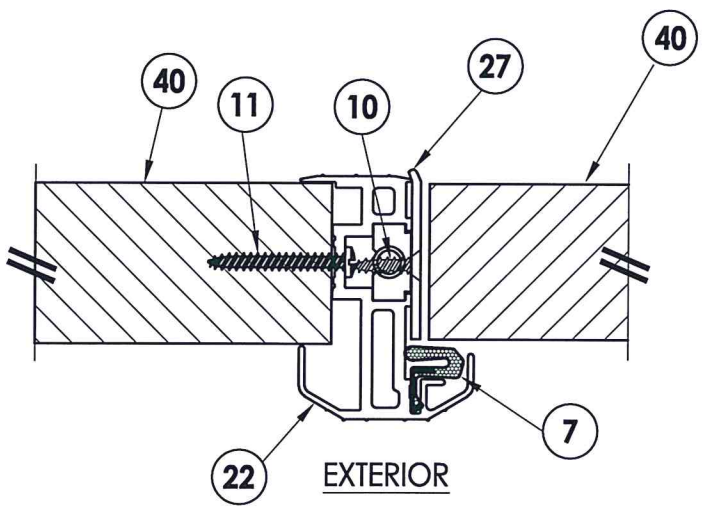
EXTERIOR



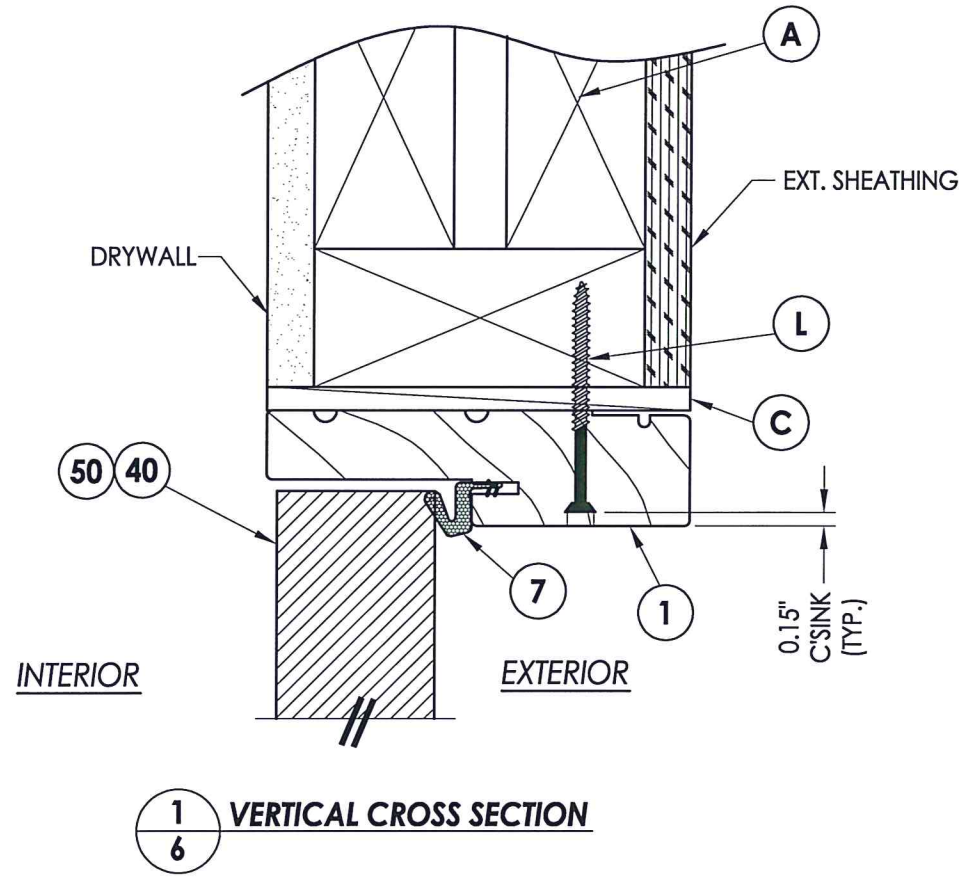
4
5 HORIZONTAL CROSS SECTION

INTERIOR

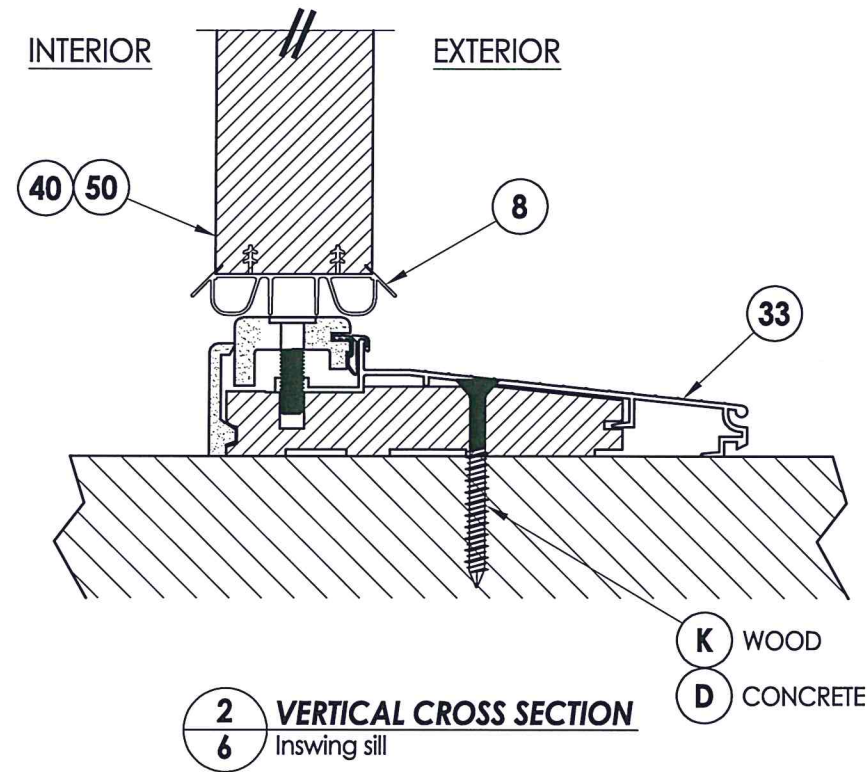
EXTERIOR



5
5 HORIZONTAL CROSS SECTION



1
6 VERTICAL CROSS SECTION



2
6 VERTICAL CROSS SECTION
Inswing sill



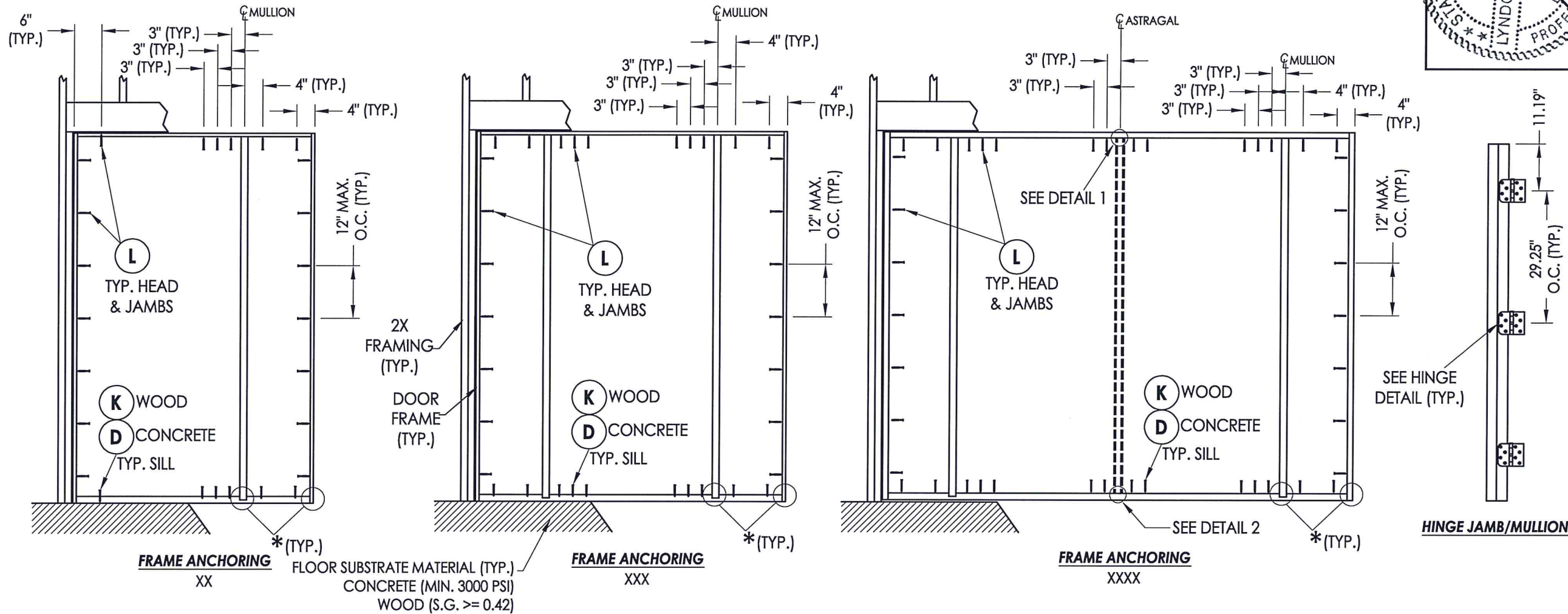
Documents Prepared By: Lyndon F. Schmidt, P.E.
TEXAS P.E. #104123

RW BUILDING CONSULTANTS, INC.
P.O. Box 230 Valrico FL 33595
Phone No.: 813.659.9197

TEXAS BOARD OF PROFESSIONAL ENGINEERS
CERTIFICATE OF REGISTRATION # F-11852

PRODUCT:	THERMA-TRU	
PART OR ASSEMBLY:	VERTICAL CROSS SECTIONS	
NO.	DATE	REVISIONS
2	5/13/20	UPDATE TO 2018 IBC/IRC CODE
1	7/21/15	ADDED GENERAL NOTE 5.
		LFS
		BY
DATE: 1/2/13		
SCALE: N.T.S.		
DWG. BY: JK		
CHK. BY: LFS		
DRAWING NO.: TX-4297		
SHEET 6 OF 10		

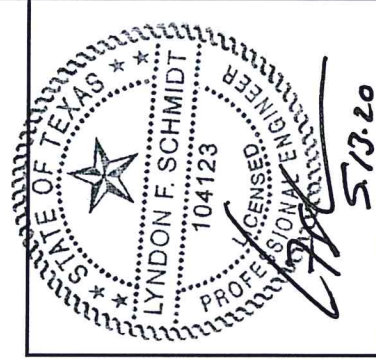
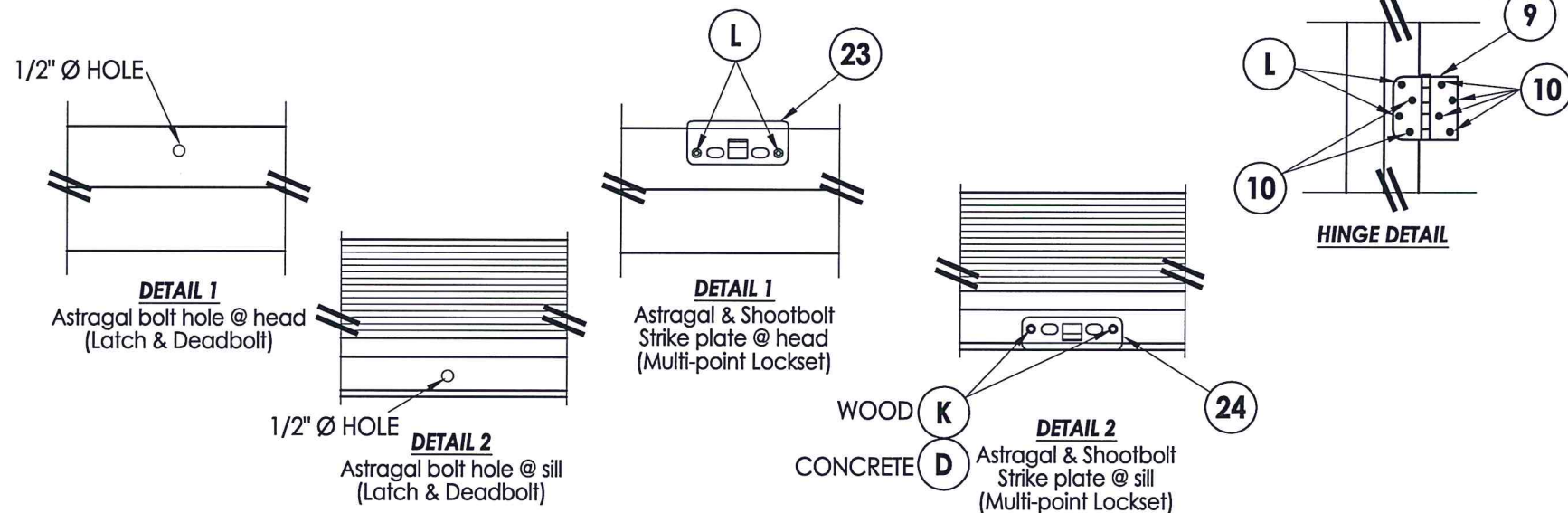
* The frame jambs and vertical mullions are secured to the head and sill with (3) #8 x 2-1/2" wood screws each.



CONCRETE ANCHOR NOTES:

1. Concrete anchor locations at the corners may be adjusted to maintain the min. edge distance to mortar joints.
2. Concrete anchor locations noted as "MAX. ON CENTER" must be adjusted to maintain the min. edge distance to mortar joints, additional concrete anchors may be required to ensure the "MAX. ON CENTER" dimension are not exceeded.
3. Concrete anchor table:

ANCHOR TYPE	ANCHOR SIZE	MIN. EMBEDMENT	MIN. CLEARANCE TO MASONRY EDGE	MIN. CLEARANCE TO ADJACENT ANCHOR
ITW TAPCON®	1/4"	1-3/4"	2-1/2"	3"
ELCO ULTRACON®	1/4"	1-3/4"	1"	3"

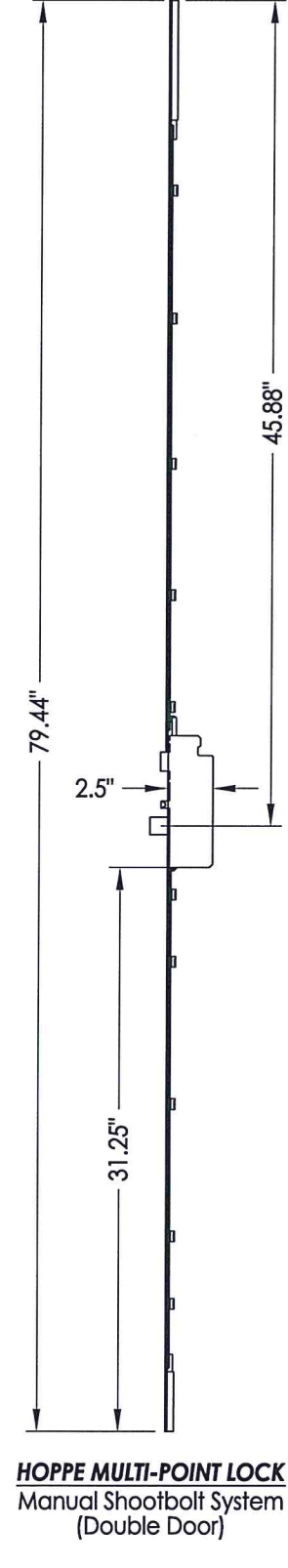
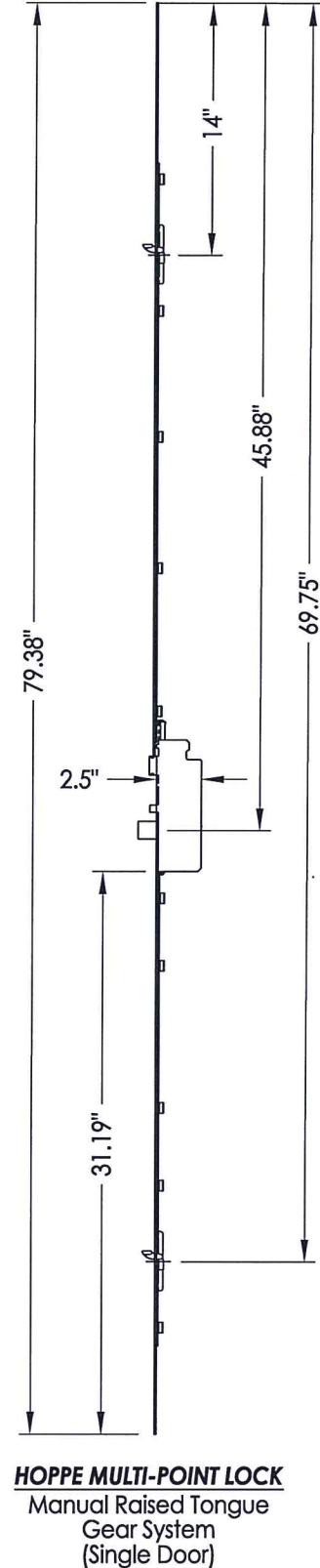
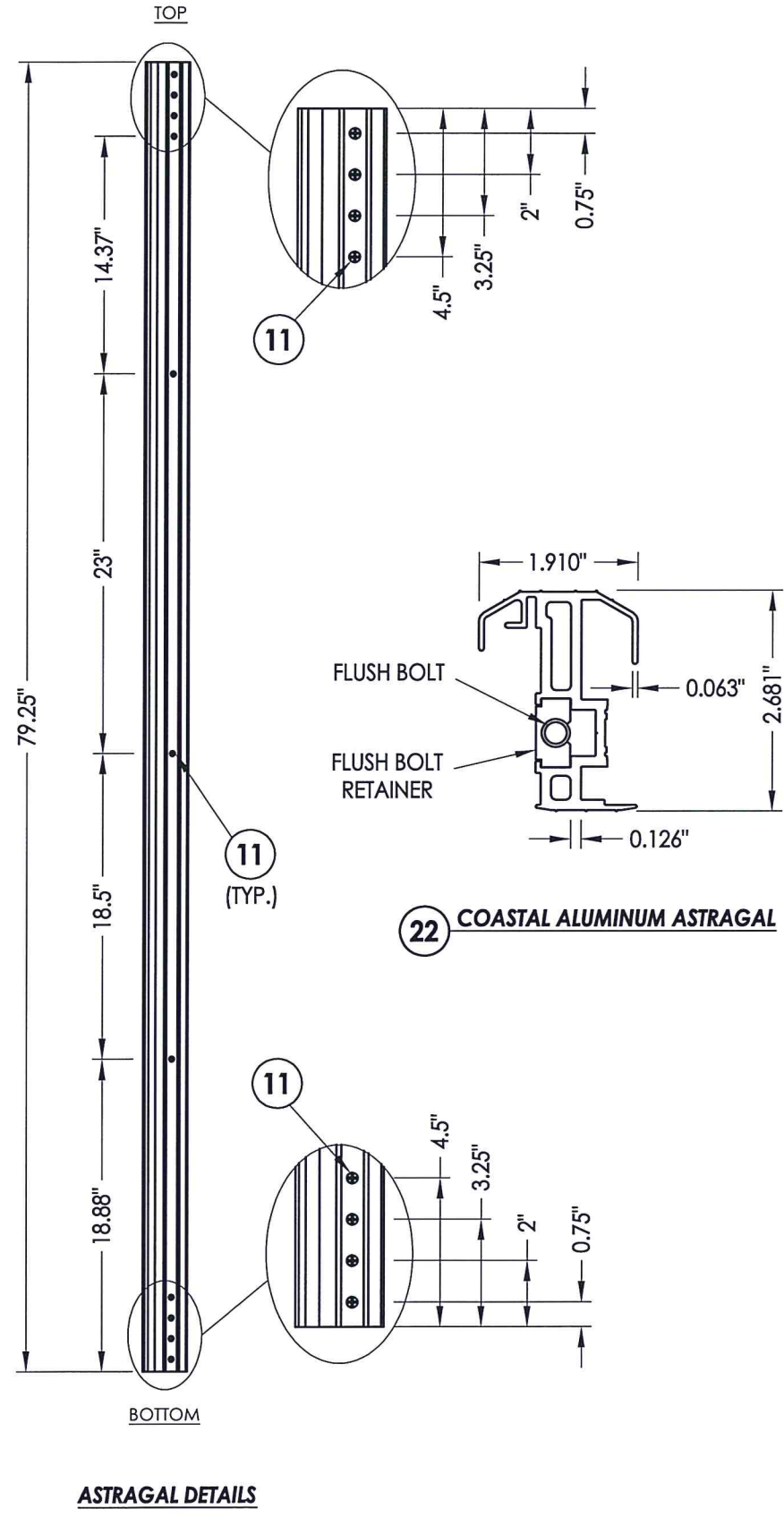


Documents Prepared By: Lyndon F. Schmidt, P.E.
TEXAS P.E. #104123

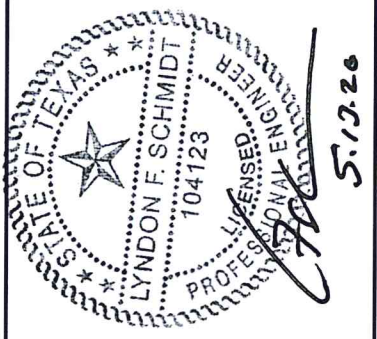
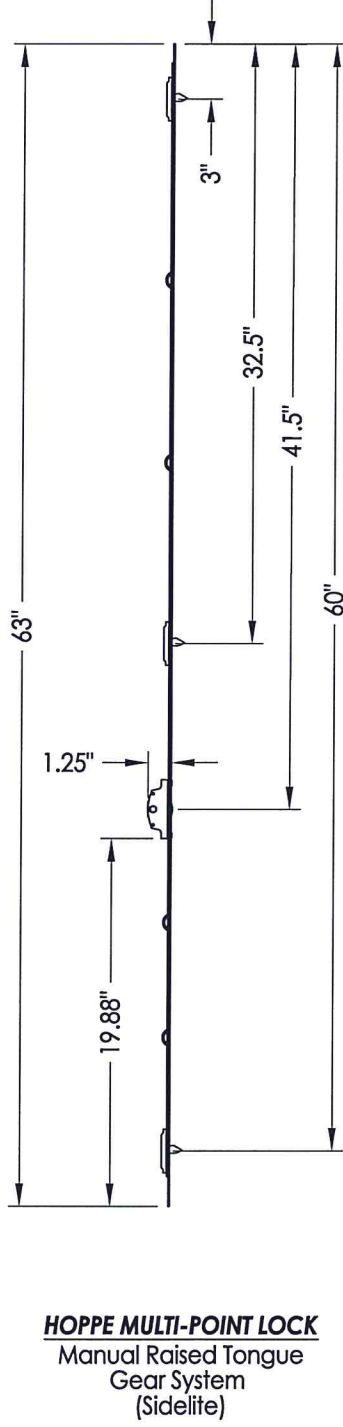
RW BUILDING CONSULTANTS, INC.
P.O. Box 230 Valrico FL 33595
Phone No.: 813.659.9197

TEXAS BOARD OF PROFESSIONAL ENGINEERS
CERTIFICATE OF REGISTRATION # F-11852

PRODUCT:	Therma-TRU	
PART OR ASSEMBLY:	FRAME ANCHORING	
NO.	DATE	REVISIONS
2	5/13/20	UPDATE TO 2018 IBC/IRC CODE
1	7/21/15	ADDED GENERAL NOTE 5.
LFS		BY
DATE:	1/2/13	
SCALE:	N.T.S.	
DWG. BY:	JK	
CHK. BY:	LFS	
DRAWING NO.:	TX-4297	
SHEET	7	of 10



HOPPE MULTI-POINT LOCK SYSTEMS

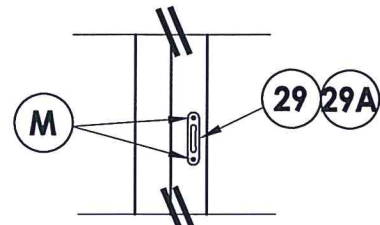


Documents Prepared By: Lyndon F. Schmidt, P.E.
TEXAS P.E. #104123

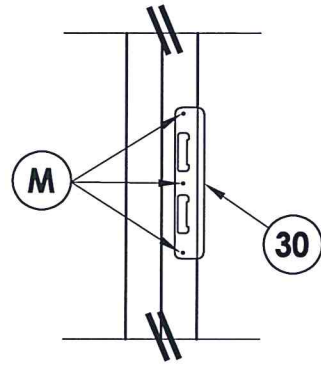
RW BUILDING CONSULTANTS, INC.
P.O. Box 230 Valrico FL 33595
Phone No.: 813.659.9197

TEXAS BOARD OF PROFESSIONAL ENGINEERS
CERTIFICATE OF REGISTRATION # F-11852

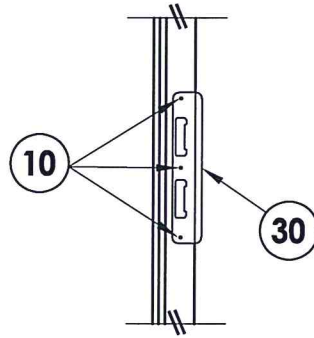
PRODUCT: THERMA-TRU	
PART OR ASSEMBLY: HARDWARE DETAILS	
NO.	DATE
2	5/13/20
1	7/21/15
REVISIONS	
DATE:	1/2/13
SCALE:	N.T.S.
DWG. BY:	JK
CHK. BY:	LFS
DRAWING NO.:	TX-4297
SHEET	8 OF 10



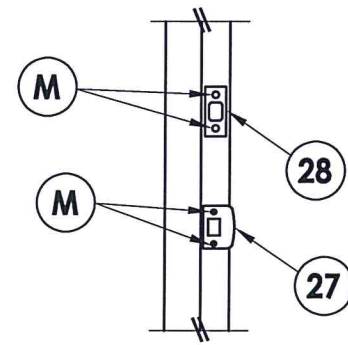
TONGUE STRIKE DETAIL
Single Door/Sidelite



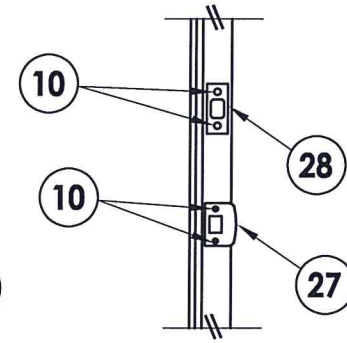
LATCH & DEADBOLT DETAIL
Single Door



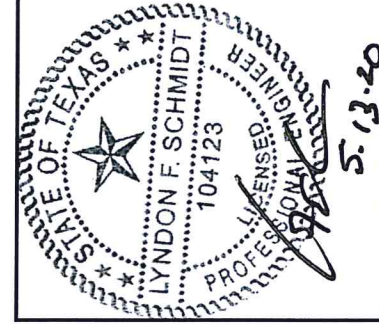
LATCH & DEADBOLT DETAIL
Double Door



LATCH & DEADBOLT DETAIL
Single Door

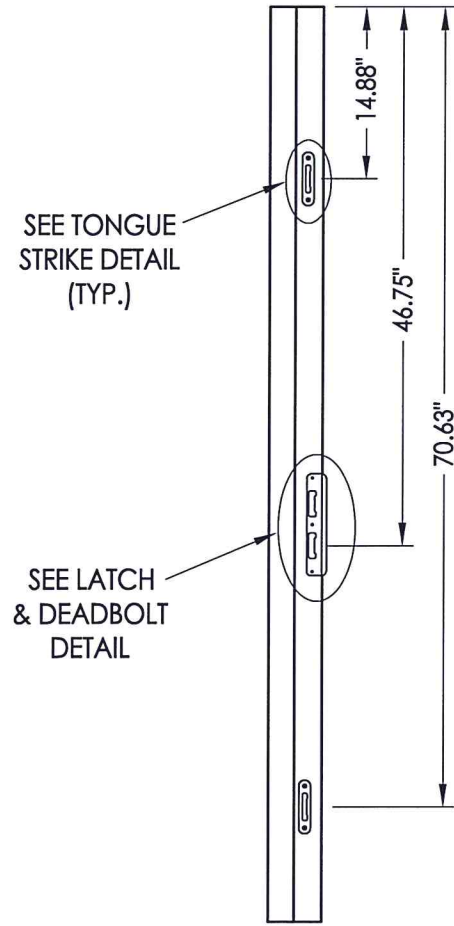


LATCH & DEADBOLT DETAIL
Double Door

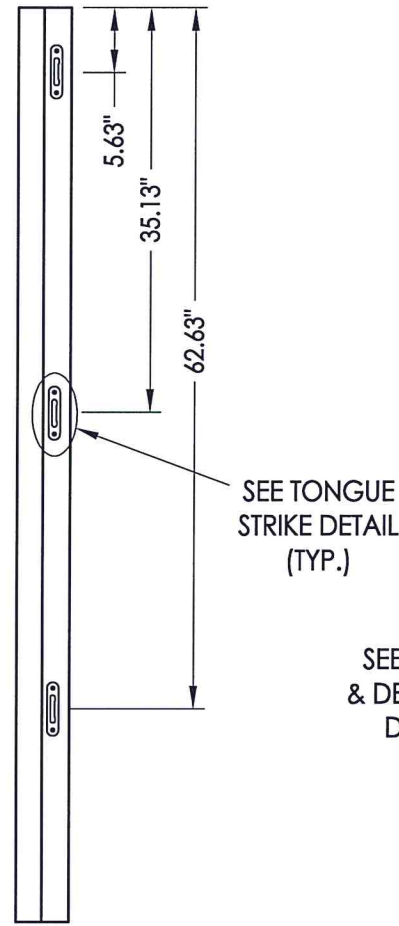


Documents Prepared By: Lyndon F. Schmidt, P.E.
TEXAS P.E. #104123

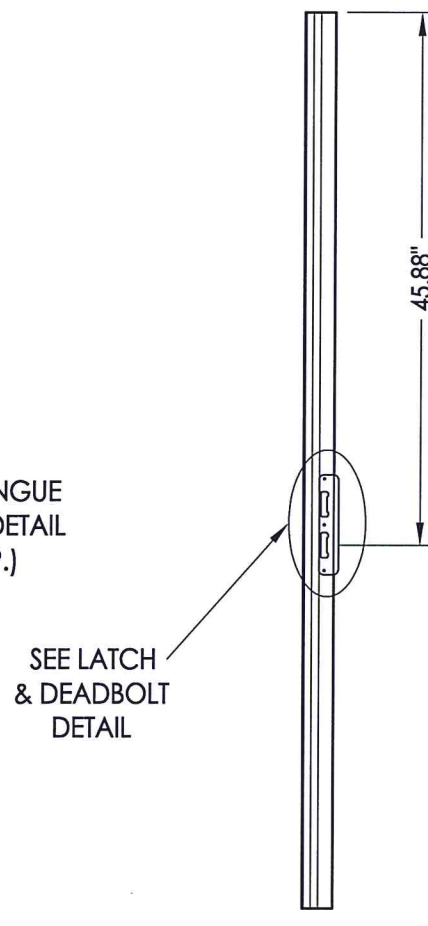
RW BUILDING CONSULTANTS, INC.
P.O. Box 230 Vairico FL 33595
Phone No.: 813.659.9197
TEXAS BOARD OF PROFESSIONAL ENGINEERS
CERTIFICATE OF REGISTRATION # F-11852



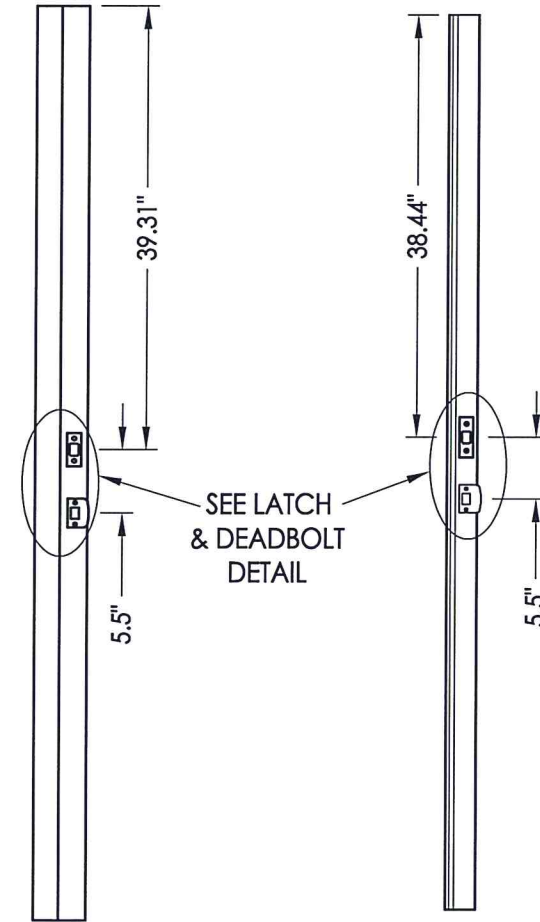
STRIKE JAMB / MULLION
Single Door



STRIKE MULLION
Sidelite



ASTRAGAL STRIKE
Double Door



STRIKE JAMB / MULLION
Single Door

ASTRAGAL STRIKE
Double Door

LATCH & DEADBOLT STRIKE DETAILS

MULTI-POINT LOCK STRIKE DETAILS

PRODUCT:		THERMA-TRU	
PART OR ASSEMBLY:		HARDWARE STRIKE DETAILS	
NO.	DATE	BY	REVISIONS
2	5/13/20	LFS	UPDATE TO 2018 IBC/IRC CODE
1	7/21/15	LFS	ADDED GENERAL NOTE 5.

DATE: 1/2/13

SCALE: N.T.S.

DWG. BY: JK

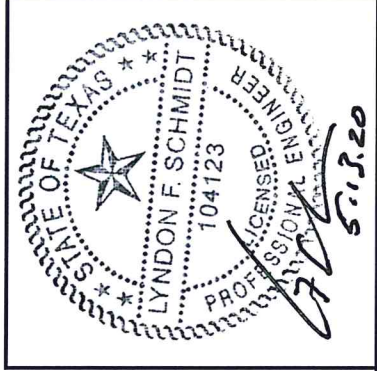
CHK. BY: LFS

DRAWING NO.:

TX-4297

SHEET 9 OF 10

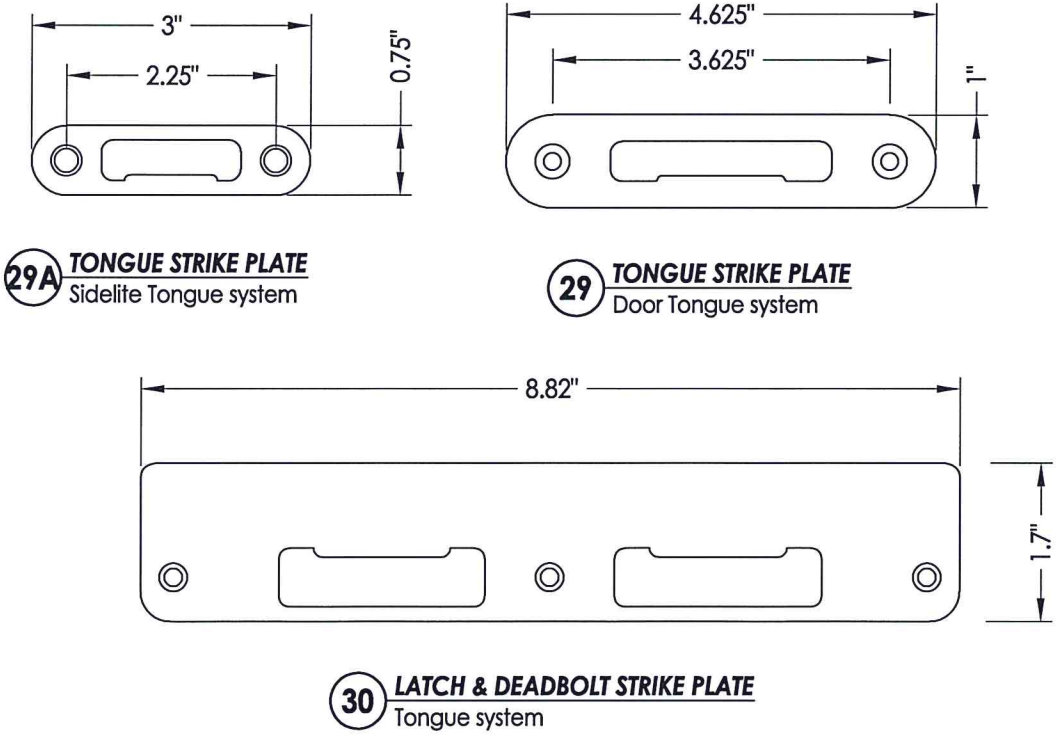
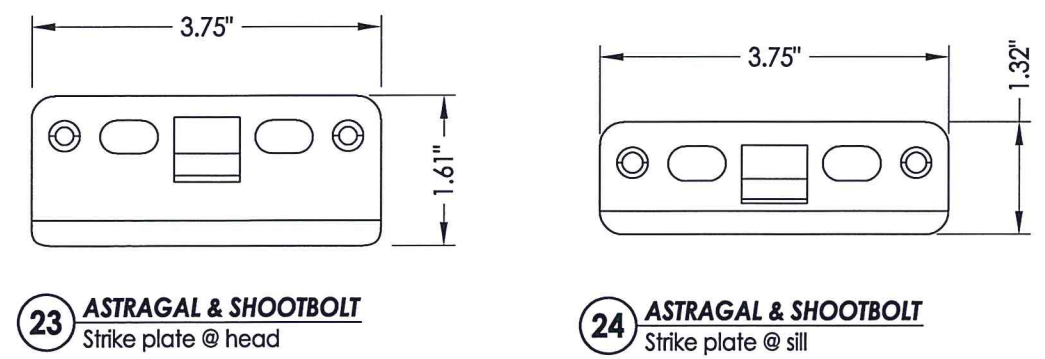
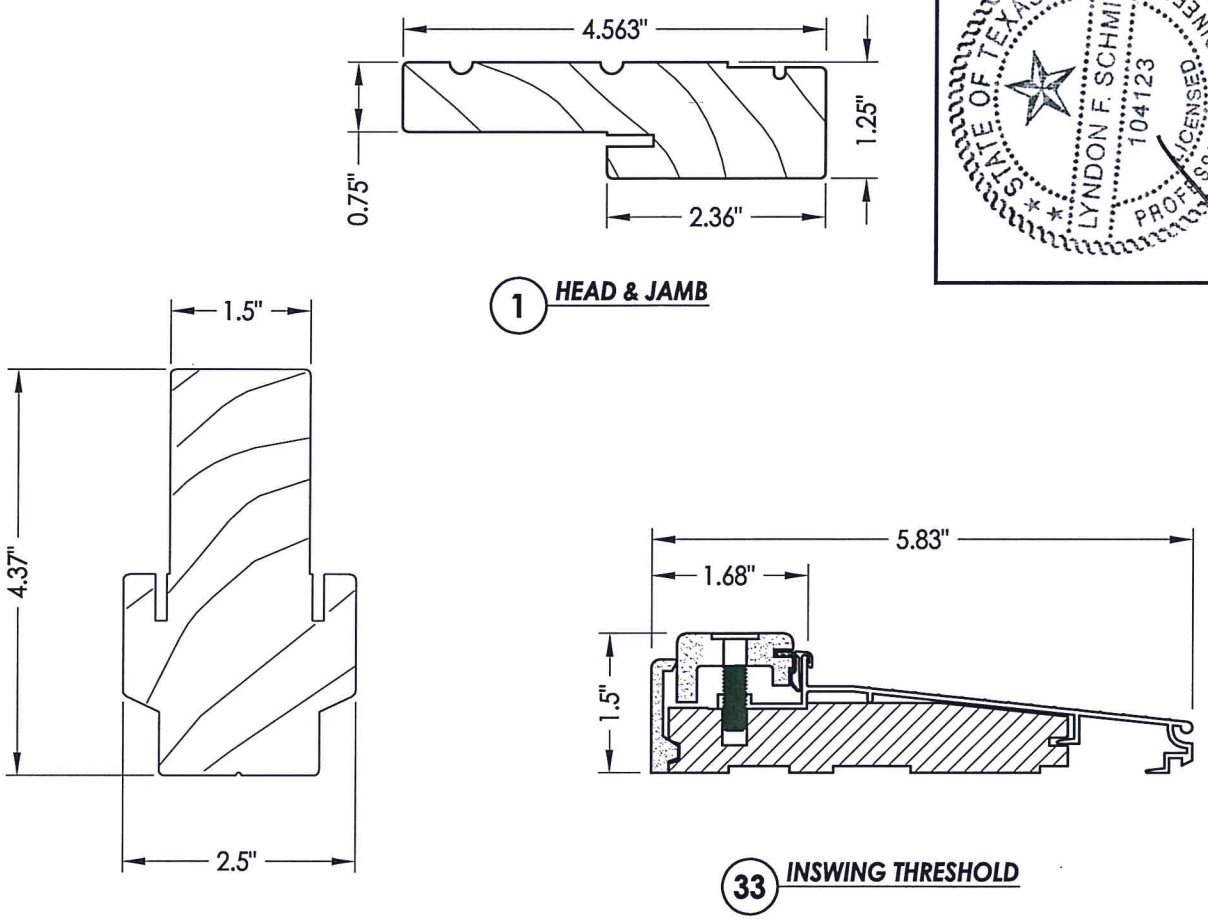
BILL OF MATERIALS		
ITEM #	DESCRIPTION	MATERIAL
A	2X FRAMING (G >= 0.42)	WOOD
C	1/4" MAX. SHIM SPACE	-
D	1/4" ELCO OR ITW CONCRETE SCREW (1-3/4" MIN. EMBEDMENT)	STEEL
K	#12 X 3" PFH WOOD SCREW (1-1/2" MIN. EMBEDMENT)	STEEL
L	#10 X 2-1/2" PFH WOOD SCREW (1.15" MIN. EMBEDMENT)	STEEL
M	#8 X 1-1/4" PFH WOOD SCREW	STEEL
1	HEAD AND SIDE JAMB (FINGER-JONTE PINE) (G >= 0.42)	WOOD
2	INTEGRAL MULLION (FINGER-JONTE PINE) (G >= 0.42)	WOOD
7	WEATHER-STRIP (THERMA-TRU)	FOAM
8	DOOR BOTTOM SWEEP	PVC
9	4" X 4" HINGE	STEEL
10	#10 X 3/4" PFH WOOD SCREW	STEEL
11	#10 X 1-3/4" PFH WOOD SCREW	STEEL
22	COASTAL ALUMINUM ASTRAGAL	ALUM
23	ASTRAGAL & SHOOTBOLT STRIKE PLATE (AT HEAD)	STEEL
24	ASTRAGAL & SHOOTBOLT STRIKE PLATE (AT SILL)	STEEL
27	LATCH STRIKE PLATE (STANDARD)	STEEL
28	DEADBOLT STRIKE PLATE (STANDARD)	STEEL
29	TONGUE STRIKE PLATE (DOOR TONGUE SYSTEM)	STEEL
29A	TONGUE STRIKE PLATE (SIDELITE TONGUE SYSTEM)	STEEL
30	LATCH & DEADBOLT STRIKE PLATE (TONGUE SYSTEM)	STEEL
33	INSWING THRESHOLD	ALUM/COMP
40	FIBERGLASS DOOR PANEL - SMOOTH STAR BMTT	-
50	FIBERGLASS SIDELITE PANEL - SMOOTH STAR BMTT	-



Documents Prepared By: Lyndon F. Schmidt, P.E.
TEXAS P.E. #104123

RW BUILDING CONSULTANTS, INC.
P.O. Box 230 Valrico FL 33595
Phone No.: 813.659.9197

TEXAS BOARD OF PROFESSIONAL ENGINEERS
CERTIFICATE OF REGISTRATION # F-11852



PRODUCT:	THERMA-TRU	
PART OR ASSEMBLY:	BILL OF MATERIAL & COMPONENTS	
NO.	DATE	REVISIONS
2	5/13/20	UPDATE TO 2018 IBC/IRC CODE
1	7/21/15	ADDED GENERAL NOTE 5.
LFS		BY
LFS		
DATE: 1/2/13		
SCALE: N.T.S.		
DWG. BY: JK		
CHK. BY: LFS		
DRAWING NO.: TX-4297		
SHEET 10 OF 10		