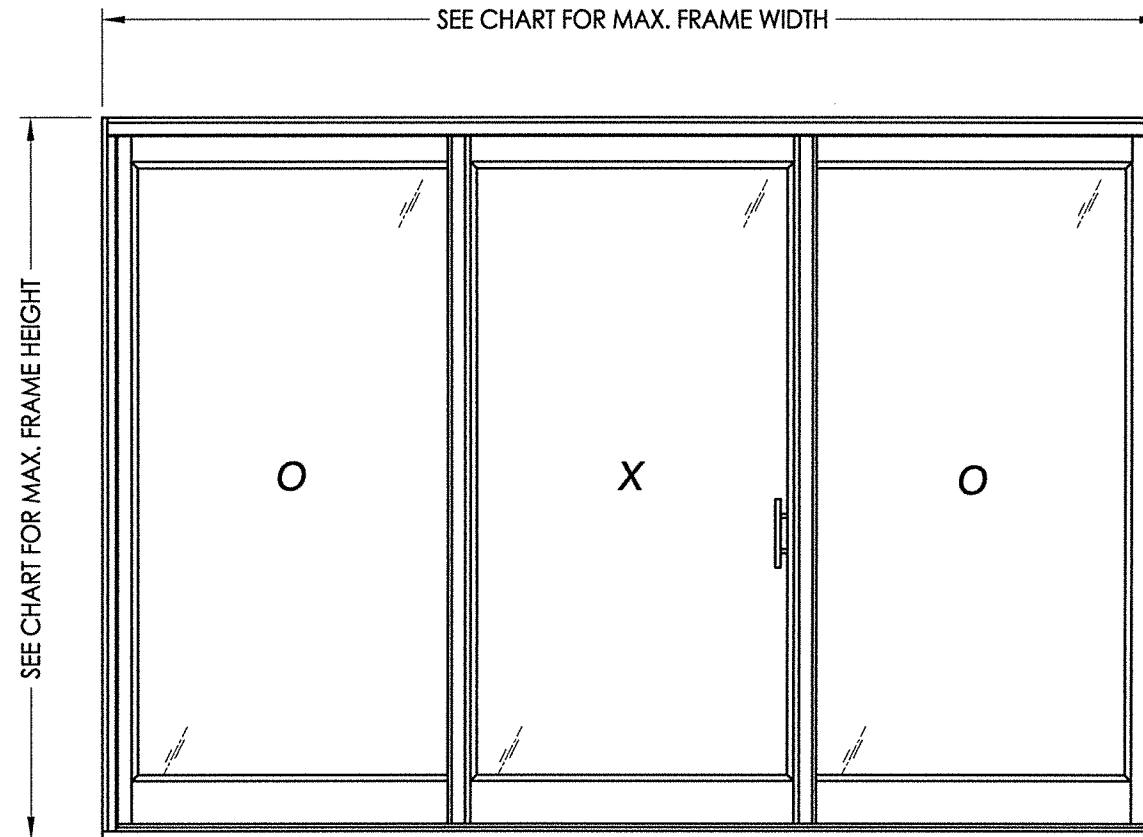


SERIES 6400 - MODEL 6403/6409/6422
SERIES 8400 - MODEL 8403/8409/8422
SERIES 9400 - MODEL 9403/9409/9422

(FRENCH SASH)
EXTRUDED VINYL
SLIDING PATIO DOORS
"NON-IMPACT"



EVALUATED FOR USE IN THE STATE OF TEXAS

TDI DR-644

The Sliding Patio Door described herein complies with the 2018 International Residential Code (IRC), Sections R301 & R609 and the 2018 International Building Code (IBC), Sections 1404.13, 1609, 1709.5, 2403 and 2404 subject to the following conditions:

1. Anchors shall be as listed and spaced as shown in the details. Anchor embedment to base material shall be beyond wall dressing or stucco.
2. When used in areas requiring wind-borne debris protection this product is required to be protected with an impact resistant covering that complies with Section R301.2.1.2 of the IRC and Section 1609.2 of the IBC.
3. Allowable design pressure requirements must be equal to or less than the design pressure rating shown in the design pressure chart, sheet 1 of this drawing.
4. Conditions not covered by this drawing are subject to further engineering analysis.

TABLE OF CONTENTS	
SHEET#	DESCRIPTION
1	Typical elevation, design pressures & general notes
2	Horizontal cross sections
3	Vertical cross sections & glazing details
4	Frame anchoring
5	Bill of materials & components

OVERALL FRAME DIMENSION	MAX. PANEL DIMENSION	MAX. D.L.O. DIMENSION	GLASS TYPE	DESIGN PRESSURE (PSF)	
				POSITIVE	NEGATIVE
140.87" x 95.5"	47.37" X 92.37"	40.75" X 80.0"	G1	+25.0	-25.0
140.87" x 79.5"	47.37" X 76.19"	40.75" X 64.06"	G2	+35.0	-35.0

Documents Prepared By: Lyndon F. Schmidt, P.E.
TEXAS P.E. #104123

RW BUILDING CONSULTANTS, INC.
P.O. Box 230 Vairico FL 33595
Phone No.: 813.659.9197

TEXAS BOARD OF PROFESSIONAL ENGINEERS
CERTIFICATE OF REGISTRATION # F-11852

PRODUCT: EXTRUDED VINYL SLIDING PATIO DOORS
PART OR ASSEMBLY:
TYPICAL ELEVATION, DESIGN PRESSURES & GENERAL NOTES

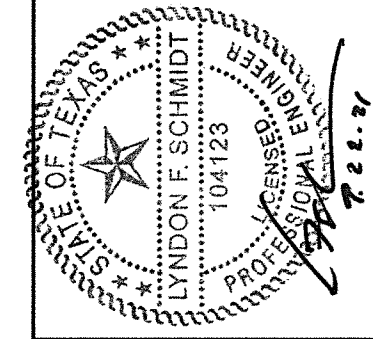
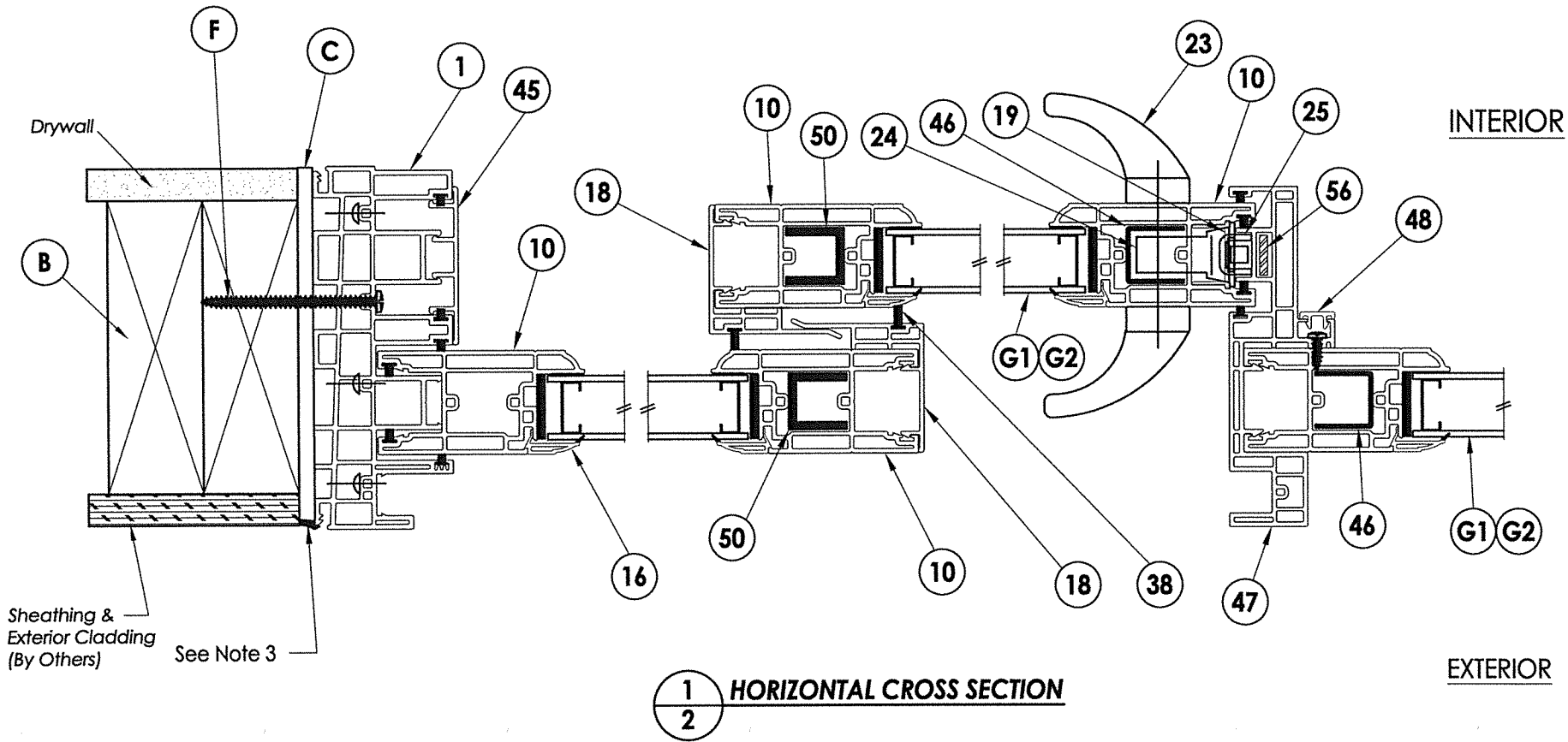
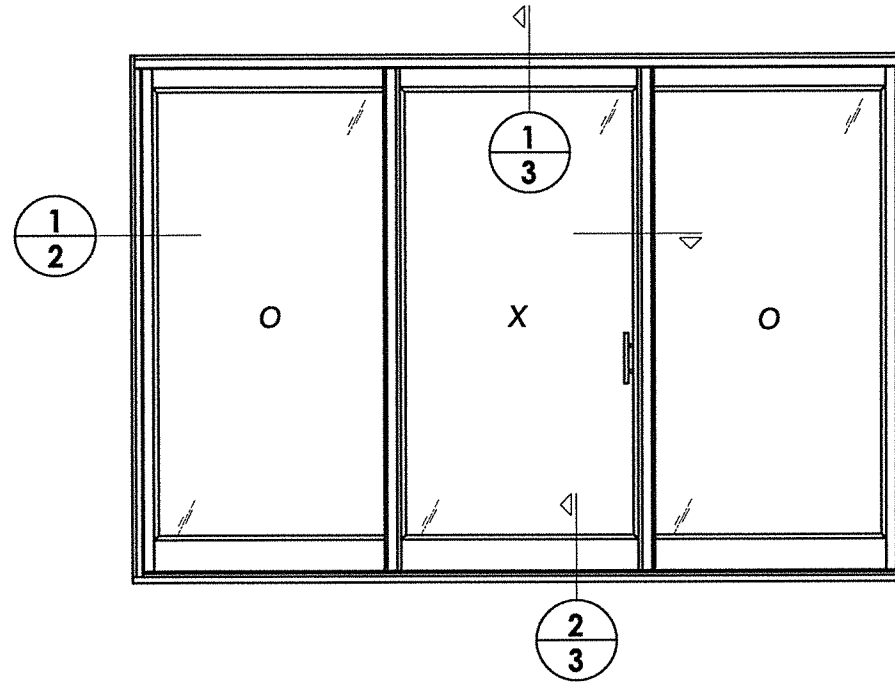
NO.	DATE	BY	REVISIONS

DATE: 9/21/21
SCALE: N.T.S.
DWG. BY: RW
CHK. BY: LFS
DRAWING NO.: TX-5240

SHEET 1 OF 5

NOTES:

1. Frame corners fastened with (4) #8 x 3" PH SMS and contain a closed cell foam gasket. The frame intersections at the sill sealed with silicone sealant.
2. Fixed panel secured to the head and sill with two molded composite L-Brackets, one at each end of the meeting stile. Bracket attached to the frame with (1) #8 x 1-1/4" SMS and to the meeting stile with (2) 8 x 3/4" SMS.
3. Exterior perimeter to be sealed with silicone sealant



Documents Prepared By: Lyndon F. Schmidt, P.E.
TEXAS P.E. #104123

RW BUILDING CONSULTANTS, INC.
P.O. Box 230 Valrico FL 33595
Phone No.: 813.659.9197

TEXAS BOARD OF PROFESSIONAL ENGINEERS
CERTIFICATE OF REGISTRATION # F-11852

PRODUCT: EXTRUDED VINYL SLIDING PATIO DOORS

PART OR ASSEMBLY: HORIZONTAL CROSS SECTIONS

NO.	DATE	BY	REVISIONS

DATE: 9/21/21

SCALE: N.T.S.

DWG. BY: RW

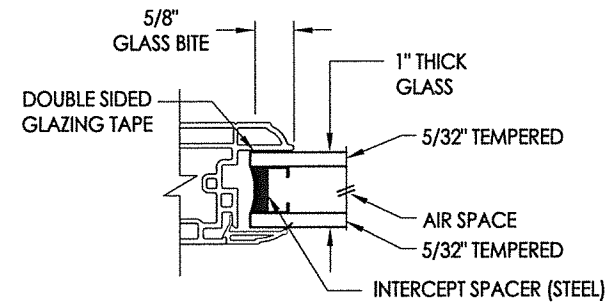
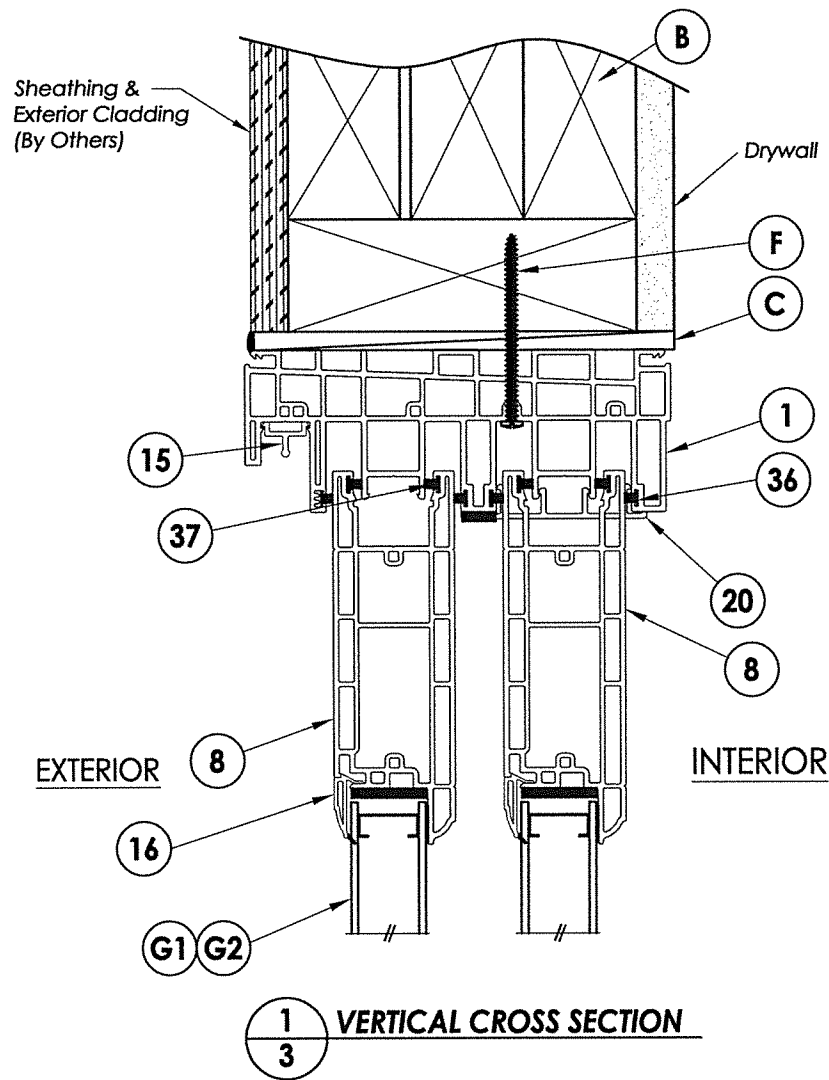
CHK. BY: LFS

DRAWING NO.: TX-5240

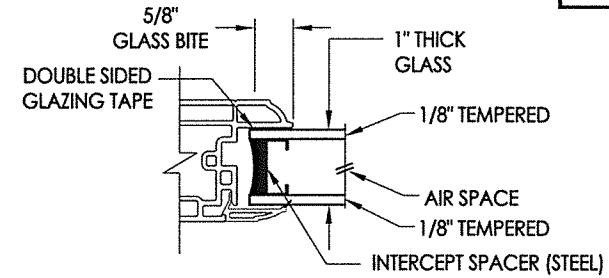
SHEET 2 OF 5

NOTES:

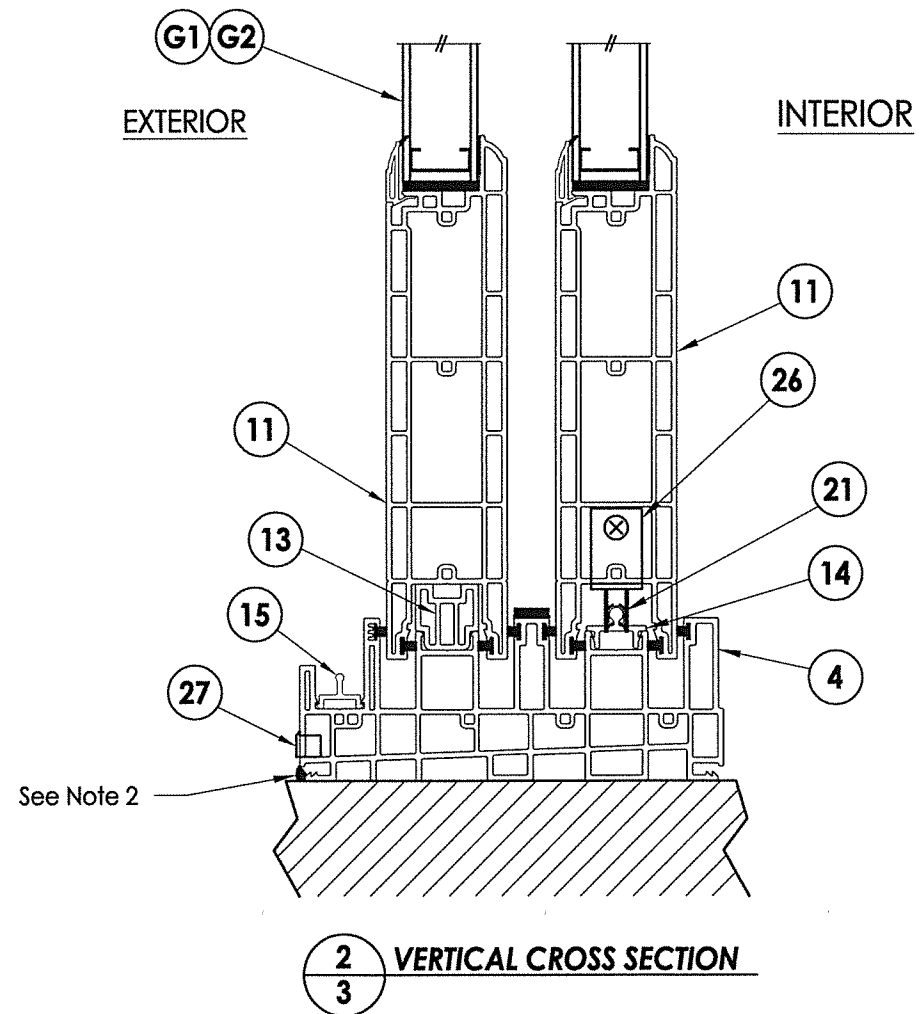
1. Fixed panel fastened to head & sill with (3) #8 x 1" FH SMS each.
2. Exterior perimeter to be sealed and sill to be set in silicone sealant.



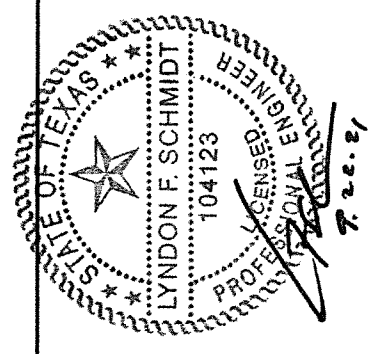
G1 GLAZING DETAIL



G2 GLAZING DETAIL



2 VERTICAL CROSS SECTION



Documents Prepared By: Lyndon F. Schmidt, P.E.
TEXAS P.E. #104123

RW BUILDING CONSULTANTS, INC.
P.O. Box 230 Valrico FL 33595
Phone No.: 813.659.9197
TEXAS BOARD OF PROFESSIONAL ENGINEERS
CERTIFICATE OF REGISTRATION # F-11852

PRODUCT:
EXTRUDED VINYL
SLIDING PATIO DOORS

PART OR ASSEMBLY:
VERTICAL CROSS SECTIONS
& GLAZING DETAILS

NO.	DATE	BY	REVISIONS

DATE: 9/21/21

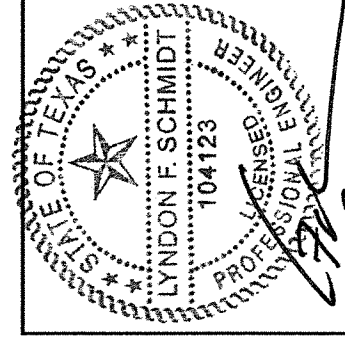
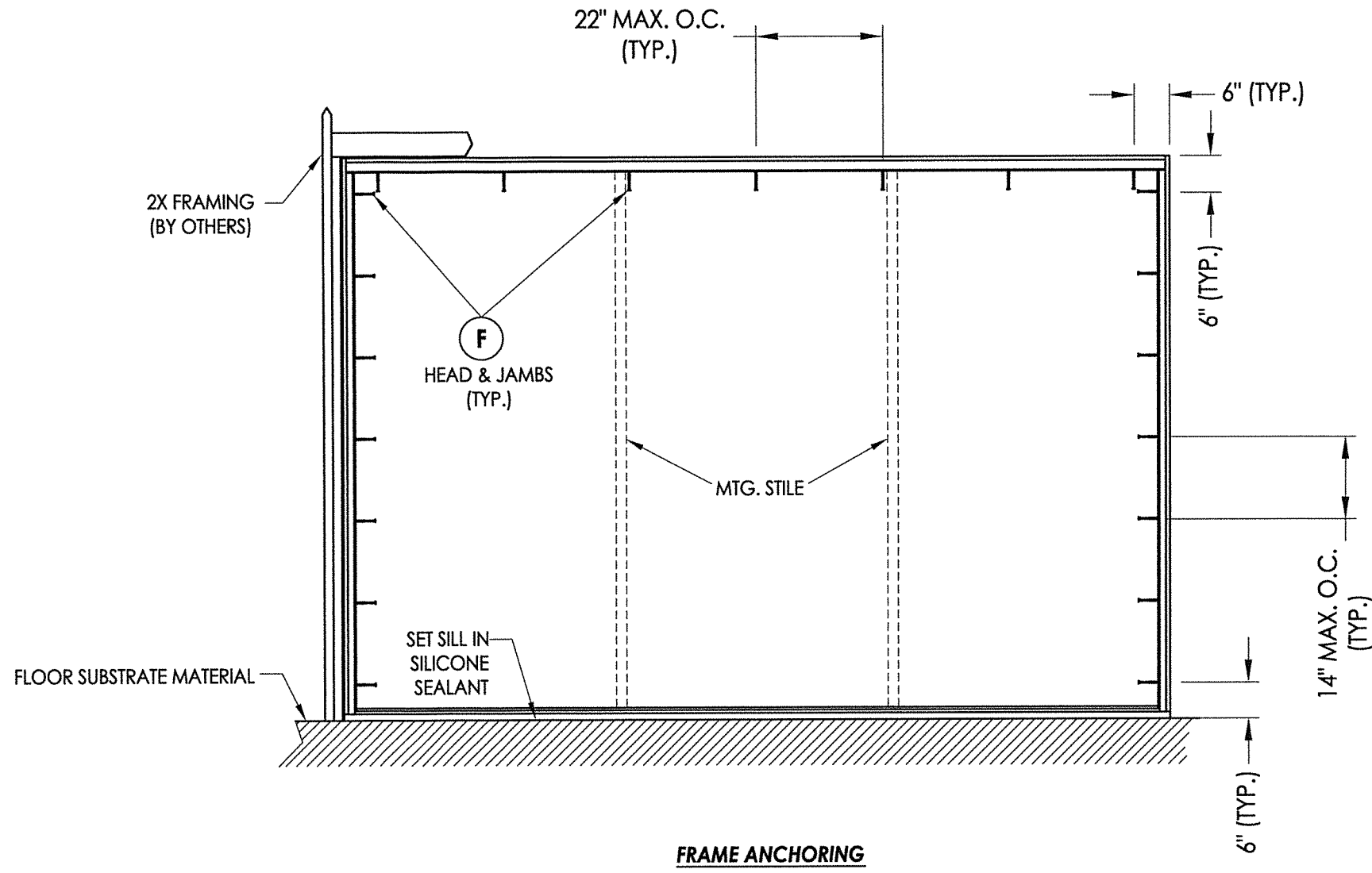
SCALE: N.T.S.

DWG. BY: RW

CHK. BY: LFS

DRAWING NO.: TX-5240

SHEET 3 OF 5



Documents Prepared By: Lyndon F. Schmidt, P.E.
TEXAS P.E. #104123

RW BUILDING CONSULTANTS, INC.
P.O. Box 230 Valrico FL 33595
Phone No.: 813.659.9197

TEXAS BOARD OF PROFESSIONAL ENGINEERS
CERTIFICATE OF REGISTRATION # F-11852

PRODUCT: EXTRUDED VINYL SLIDING PATIO DOORS

PART OR ASSEMBLY: FRAME ANCHORING

NO.	DATE	BY	REVISIONS

DATE: 9/21/21

SCALE: N.T.S.

DWG. BY: RW

CHK. BY: LFS

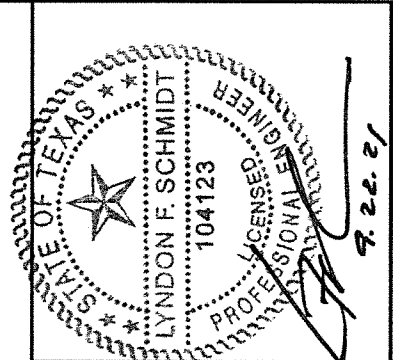
DRAWING NO.: TX-5240

SHEET 4 OF 5

BILL OF MATERIALS

ITEM #	DESCRIPTION	MATERIAL
B	2X FRAMING (SG >= 0.42)	WOOD
C	1/4" MAX. SHIM SPACE	-
F	#10 X 2-3/4" PPH SMS (1-1/2" MIN. EMBEDMENT)	STEEL
1	FRAME - HEAD & SIDE JAMBS* - #UU0400	PVC
4	FRAME BOTTOM SILL* - #UU0401	PVC
8	5" FIXED & OPERABLE PANEL TOP RAIL* - #UU0403	PVC
10	3" FIXED & OPERABLE PANEL STILE* - #UU0402	PVC
11	7" FIXED & OPERABLE PANEL BOTTOM RAIL* - #UU0404	PVC
13	FIXED PANEL SUPPORT* - #UU0409	PVC
14	ROLLER TRACK* - #UU0406	PVC
15	SCREEN TRACK HEAD & SILL* - #UU0408	PVC
16	GLAZING BEAD* - #UU0410	PVC
18	INTERIOR INTERLOCK* - # UU0405	PVC
19	LOCK STILE INSERT* - #UU0417	PVC
20	SASH STOP* - #UU0416	PVC
21	ROLLER TRACK CAP	SS
23	HANDLE SET - SIGNATURE TOP LOCK - #UU0244	-
24	2-POINT LOCK	-
25	KEEPER	-
26	ROLLER	NYLON
27	WEEP COVER*	PVC
36	FRAME WEATHERSTRIPPING - AMESBURY .187" X .240" G2 FIN PILE	-
37	FRAME WEATHERSTRIPPING - AMESBURY .187" X .240" G2 FIN PILE	-
38	INTERLOCK BULB SEAL - AMESBURY 91500	-
45	INTERIOR JAMB POCKET COVER* - # UU0416	PVC
46	3" JAMB STILE REINFORCEMENT - # UY0096	STEEL
47	3 LITE MULLION* - # UU0413	PVC
48	SCREW COVER* - #UU0412	PVC
50	3" INTERLOCK STILE REINFORCEMENT - # UY0098	STEEL
56	MULLION REINFORCEMENT - # UY0118	ALUM

* THE APPROVED WHITE RIGID PVC EXTERIOR EXTRUSIONS FOR WINDOWS ARE TO BE PRODUCED BY EXTRUDERS LICENSEES IN "AAMA CERTIFICATION PROGRAMS FOR RIGID PVC EXTRUSIONS".



Documents Prepared By: Lyndon F. Schmidt, P.E.
TEXAS P.E. #104123
RW BUILDING CONSULTANTS, INC.
P.O. Box 230 Valrico FL 33595
Phone No.: 813.659.9197
TEXAS BOARD OF PROFESSIONAL ENGINEERS
CERTIFICATE OF REGISTRATION # F-11852

PRODUCT: EXTRUDED VINYL SLIDING PATIO DOORS
PART OR ASSEMBLY: BILL OF MATERIALS & COMPONENTS

NO.	DATE	BY	REVISIONS

DATE: 9/21/21
SCALE: N.T.S.
DWG. BY: RW
CHK. BY: LFS
DRAWING NO.: TX-5240
SHEET 5 OF 5

