

THERMA TRU® DOORS

Fiber-Classic® & Smooth-Star®

"VENTED" SIDELITES W/ GLAZED FIBERGLASS DOOR IN SWING "NON-IMPACT"

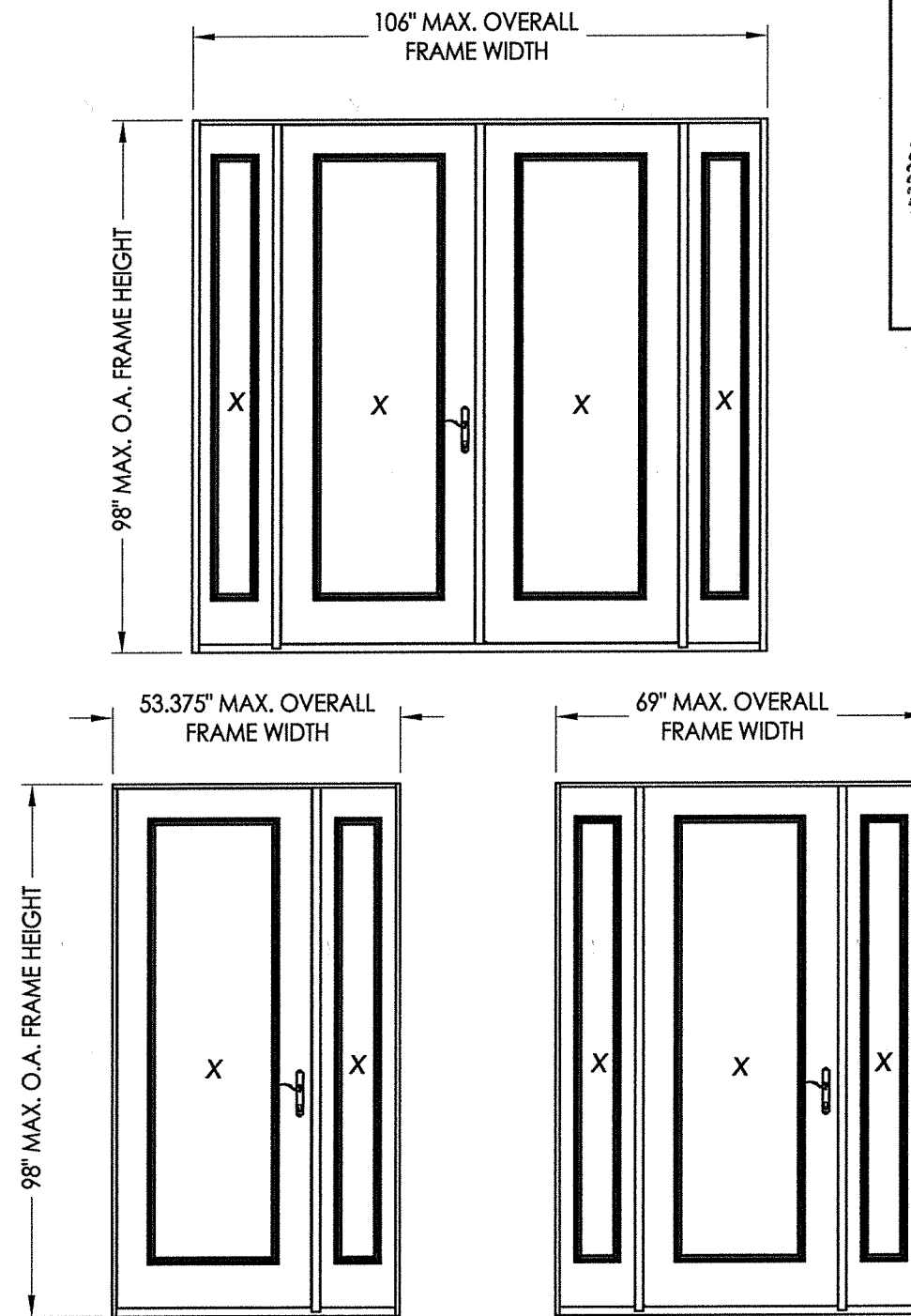
EVALUATED FOR USE IN THE STATE OF TEXAS

The Fiberglass Door system described herein complies with the 2018 International Residential Code (IRC), Sections R301 & R609 and the 2018 International Building Code (IBC), Sections 1404.13, 1609, 1709.5, 2403 and 2404 subject to the following conditions:

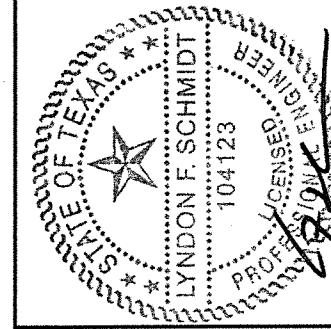
1. Anchors shall be as listed and spaced as shown in the details. Anchor embedment to base material shall be beyond wall dressing or stucco.
2. When used in areas requiring wind-borne debris protection this product is required to be protected with an impact resistant covering that complies with Section R301.2.1.2 of the IRC and Section 1609.1.2 of the IBC.
3. Allowable design pressure requirements must be equal to or less than the design pressure rating shown in the design pressure chart, sheet 1 of this drawing.
4. Conditions not covered by this drawing are subject to further engineering analysis.
5. Fiber-Classic and Smooth-Star Door and Sidelite panels require the use of "J" part numbers. These door and sidelite panels must be stained or painted within six months of installation.

TABLE OF CONTENTS

SHEET#	DESCRIPTION
1	Typical elevations, design pressures & general notes
2	Door panel details
3	Sidelite panel details and glazing details
4	Elevations
5	Horizontal cross sections
6	Vertical cross sections
7	Frame anchoring
8	Hardware details
9	Hardware strike details
10	Bill of materials and components



CONFIGURATION	MAX. FRAME DIMENSION	DESIGN PRESSURE (PSF) Multi-Point Door Lock	
		POSITIVE	NEGATIVE
XX	53.375" x 98.0"	+40.0	-40.0
XXX	69.0" x 98.0"	+40.0	-40.0
XXXX	106.0" x 98.0"	+25.0	-25.0



Documents Prepared By: Lyndon F. Schmidt, P.E.
TEXAS P.E. #104123

RW BUILDING CONSULTANTS, INC.
P.O. Box 230 Vairico FL 33595
Phone No.: 813.659.9197
TEXAS BOARD OF PROFESSIONAL ENGINEERS
CERTIFICATE OF REGISTRATION # F-11852

PRODUCT: THERMA TRU

PART OR ASSEMBLY:
TYPICAL ELEVATION, DESIGN
PRESSURES & GENERAL NOTES

NO.	DATE	BY	REVISIONS
2	5/13/20	LFS	UPDATE TO 2018 IBC/IRC CODE
1	7/16/15	LFS	ADDED GENERAL NOTE 5.

DATE: 1/2/13

SCALE: N.T.S.

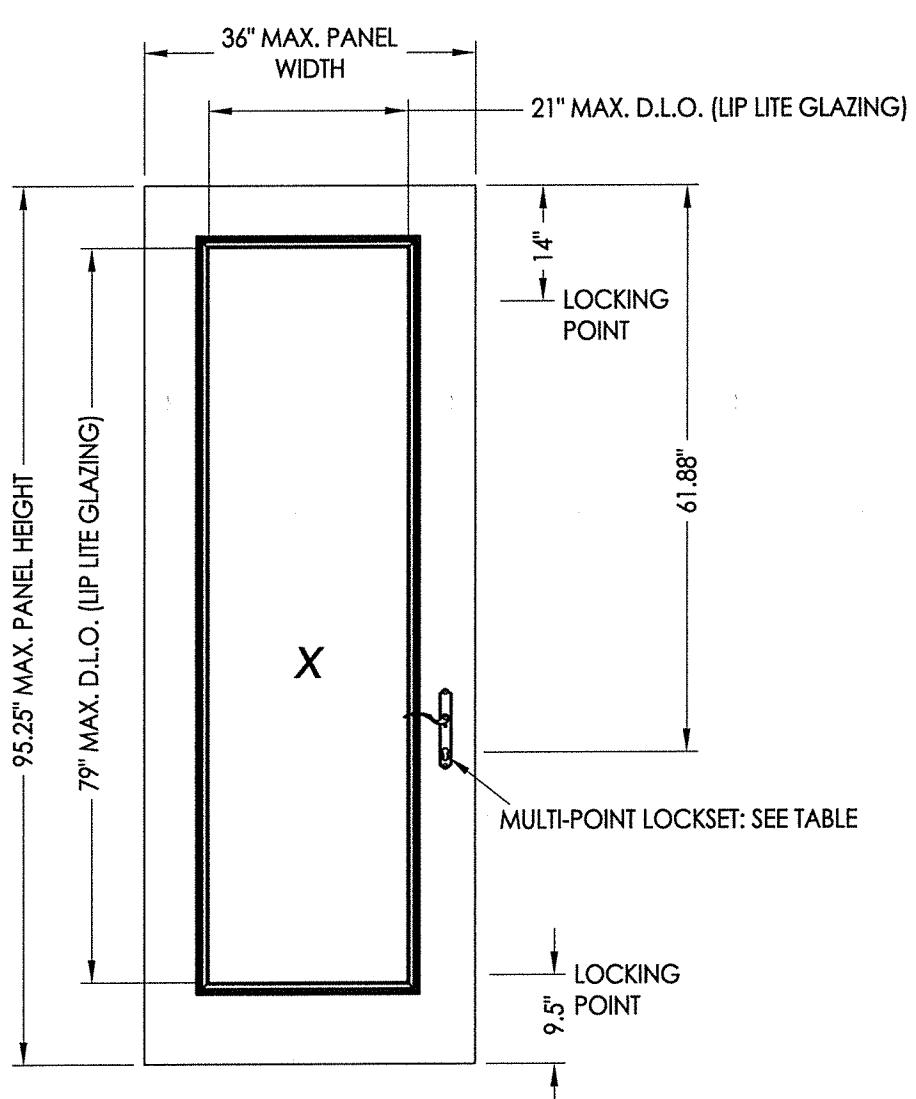
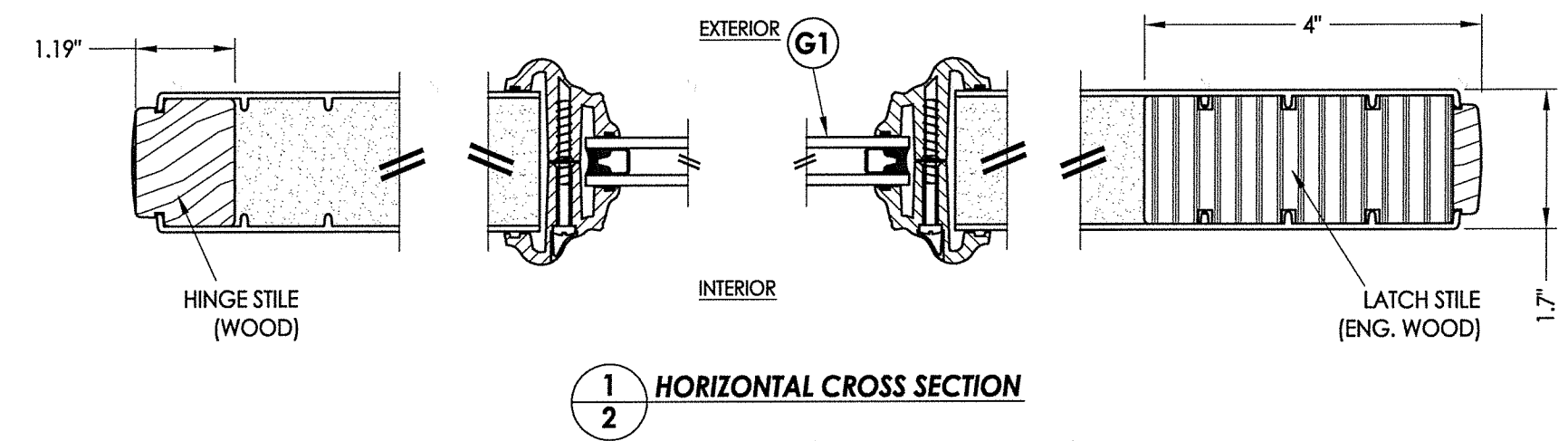
DWG. BY: JK

CHK. BY: LFS

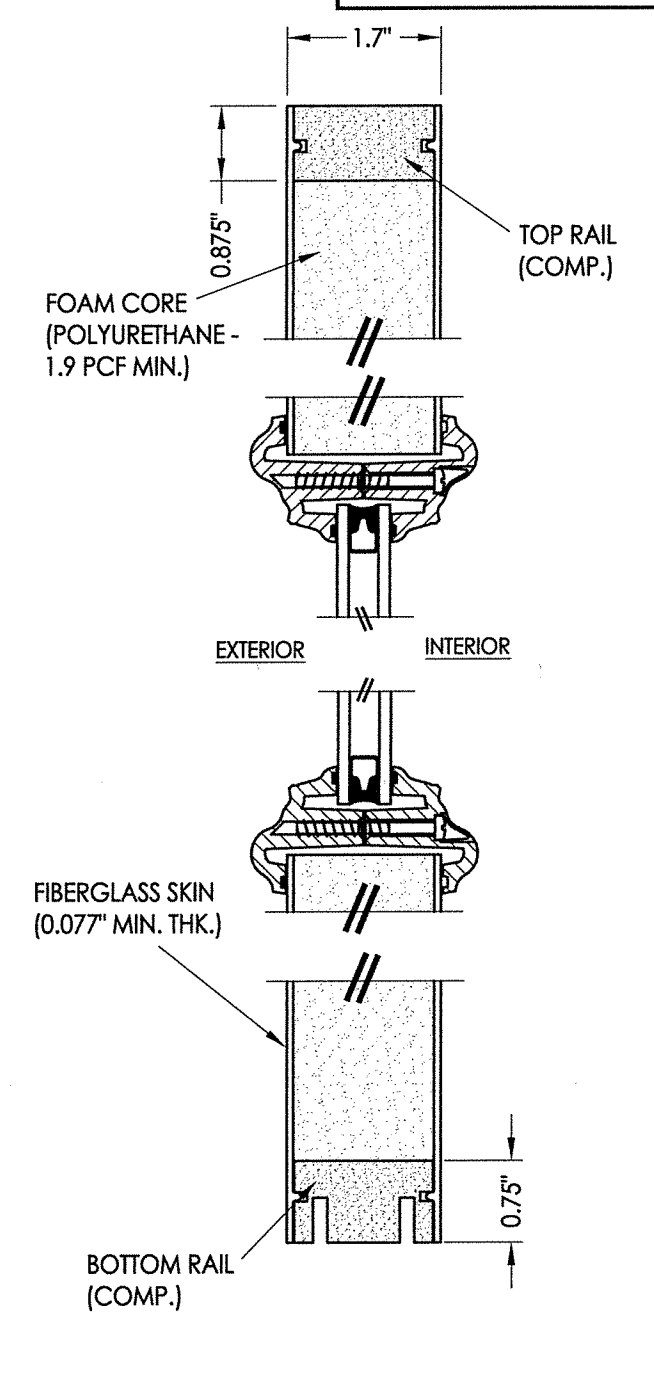
DRAWING NO.:

TX-4294

SHEET 1 OF 10



HARDWARE TABLE	
MANUFACTURER	MODEL
HOPPE	MULTI-POINT: HLS 9000 SERIES



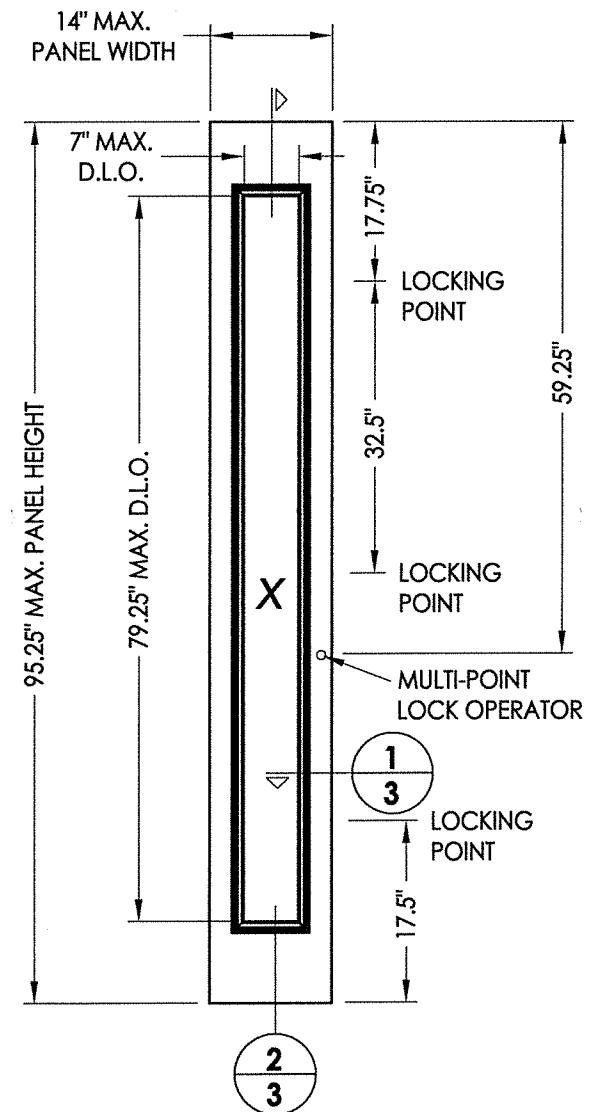
Documents Prepared By: Lyndon F. Schmidt, P.E.
TEXAS P.E. #104123

RW BUILDING CONSULTANTS, INC.
P.O. Box 230 Valrico FL 33595
Phone No.: 813.659.9197

TEXAS BOARD OF PROFESSIONAL ENGINEERS
CERTIFICATE OF REGISTRATION # F-11852

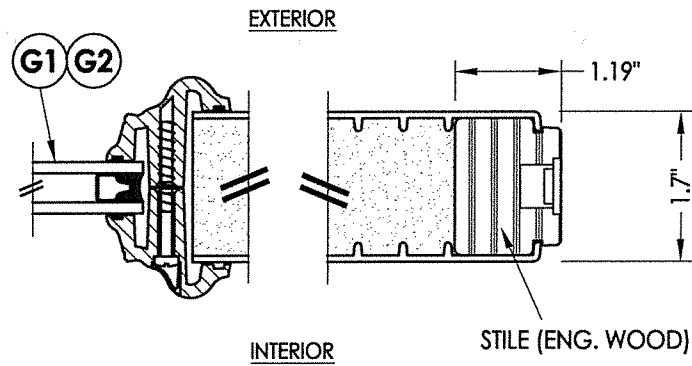
PRODUCT:	THERMA TRU	
PART OR ASSEMBLY:	DOOR PANEL DETAILS	
NO.	DATE	BY
2	5/13/20	LFS
1	7/16/15	LFS
REVISIONS		
DATE:	1/2/13	
SCALE:	N.T.S.	
DWG. BY:	JK	
CHK. BY:	LFS	
DRAWING NO.:	TX-4294	
SHEET	2 OF 10	

R:\Clients\Therma Tru PERMANENT\B - Texas Dept of Ins\TDI - DR 641 - 68 - 80 Glazed SS FG NonImp IS Vented Sidelites\C - Drawings\TX-4294.dwg, 3.4

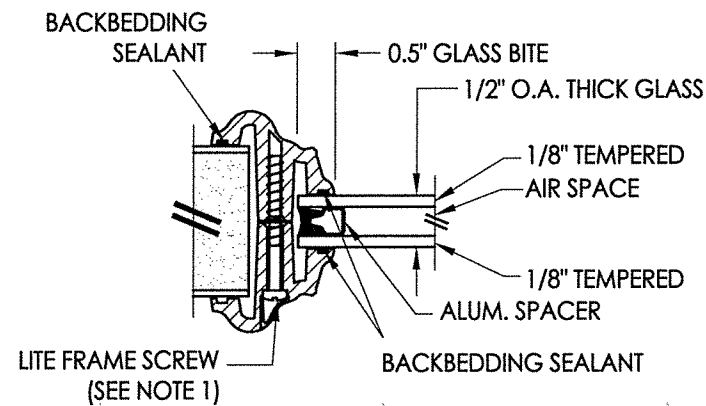


50 SIDELITE PANEL VENTED

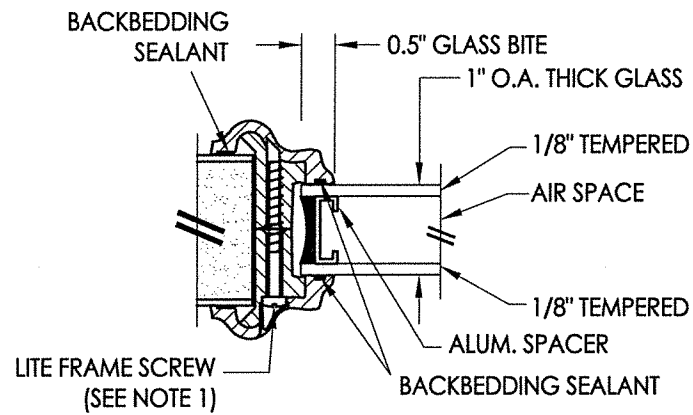
HARDWARE TABLE	
MANUFACTURER	MODEL
HOPPE	MULTI-POINT: OSL SERIES (Sidelite)



1 HORIZONTAL CROSS SECTION
3 Lip Lite Glazing

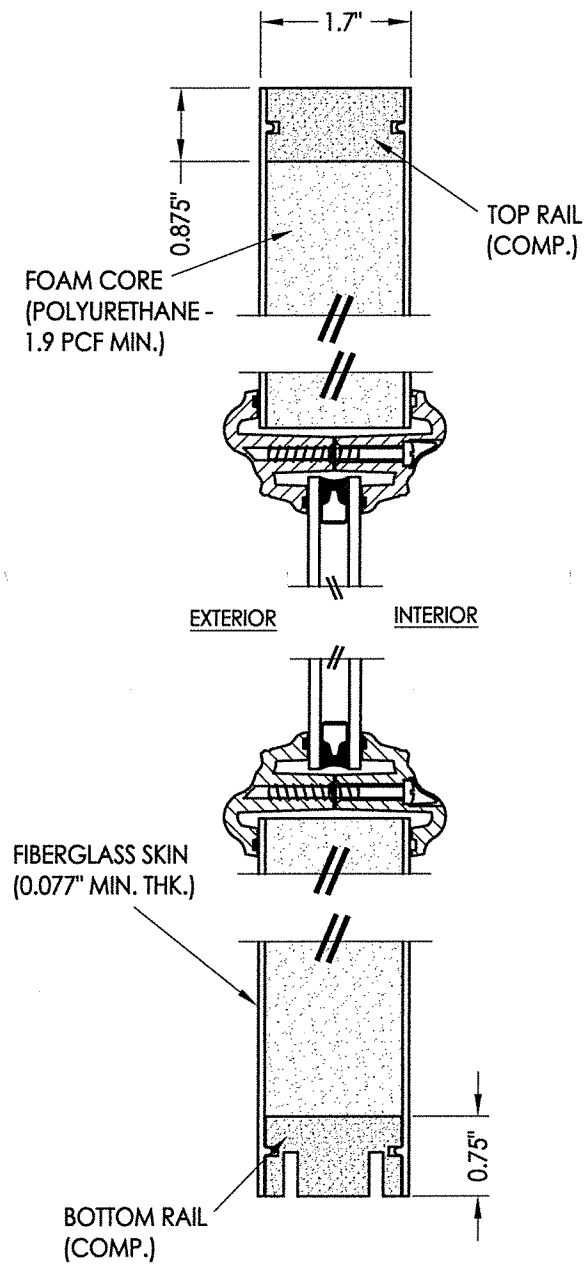


G1 GLAZING DETAIL (1/2\"/>

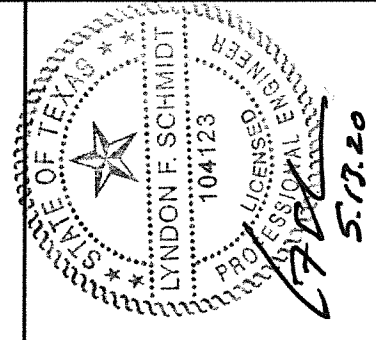


G2 GLAZING DETAIL (1\"/>

NOTE:
1. Lite frame screws (#8 x 1-1/2" PH SMS), 16 total per sidelite, evenly spaced.
2. Lite frame screws (#8 x 1-1/2" PH SMS), 24 total per door, evenly spaced.



2 VERTICAL CROSS SECTION
3



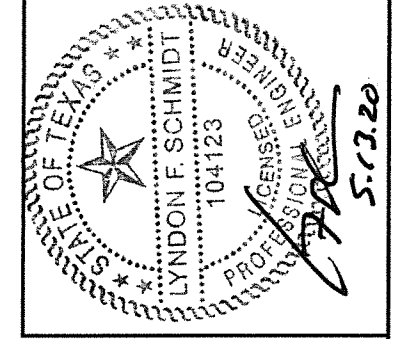
Documents Prepared By: Lyndon F. Schmidt, P.E.
TEXAS P.E. #104123

RW BUILDING CONSULTANTS, INC.
P.O. Box 230 Valrico FL 33595
Phone No.: 813.659.9197

TEXAS BOARD OF PROFESSIONAL ENGINEERS
CERTIFICATE OF REGISTRATION # F-11852

PRODUCT:	Therma Tru	
PART OR ASSEMBLY:	SIDELITE PANEL DETAILS & GLAZING DETAILS	
NO.	DATE	BY
2	5/13/20	LFS
1	7/16/15	LFS
REVISIONS		
DATE:	1/2/13	
SCALE:	N.T.S.	
DWG. BY:	JK	
CHK. BY:	LFS	
DRAWING NO.:	TX-4294	
SHEET	3 of 10	

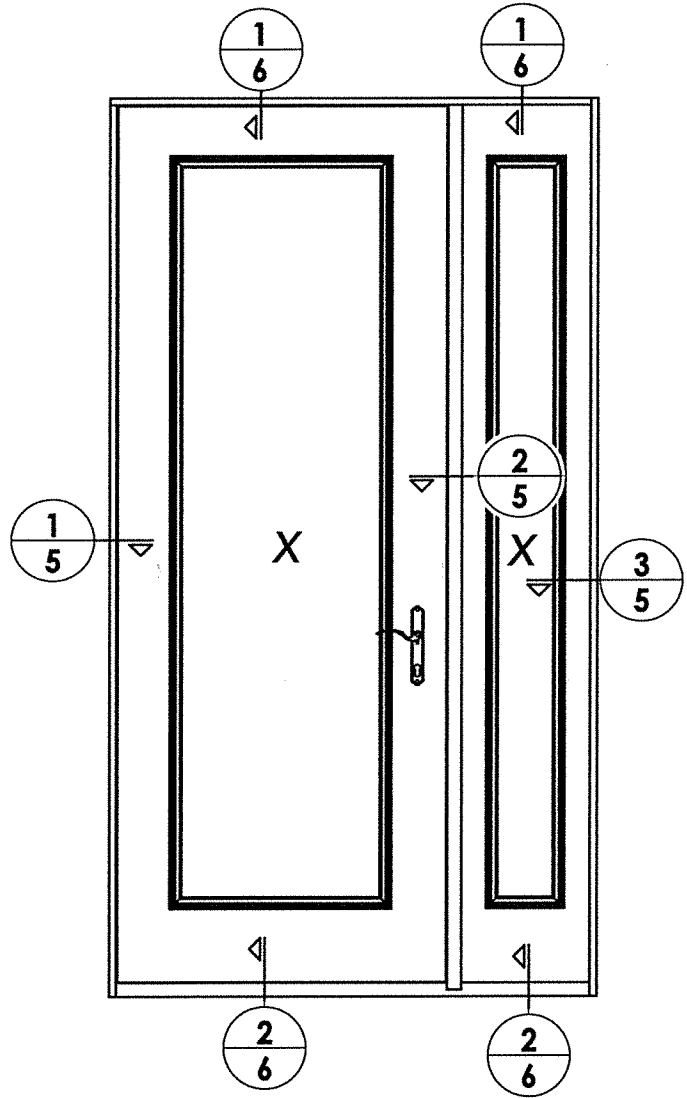
© 2013 R.W. BUILDING CONSULTANTS INC.



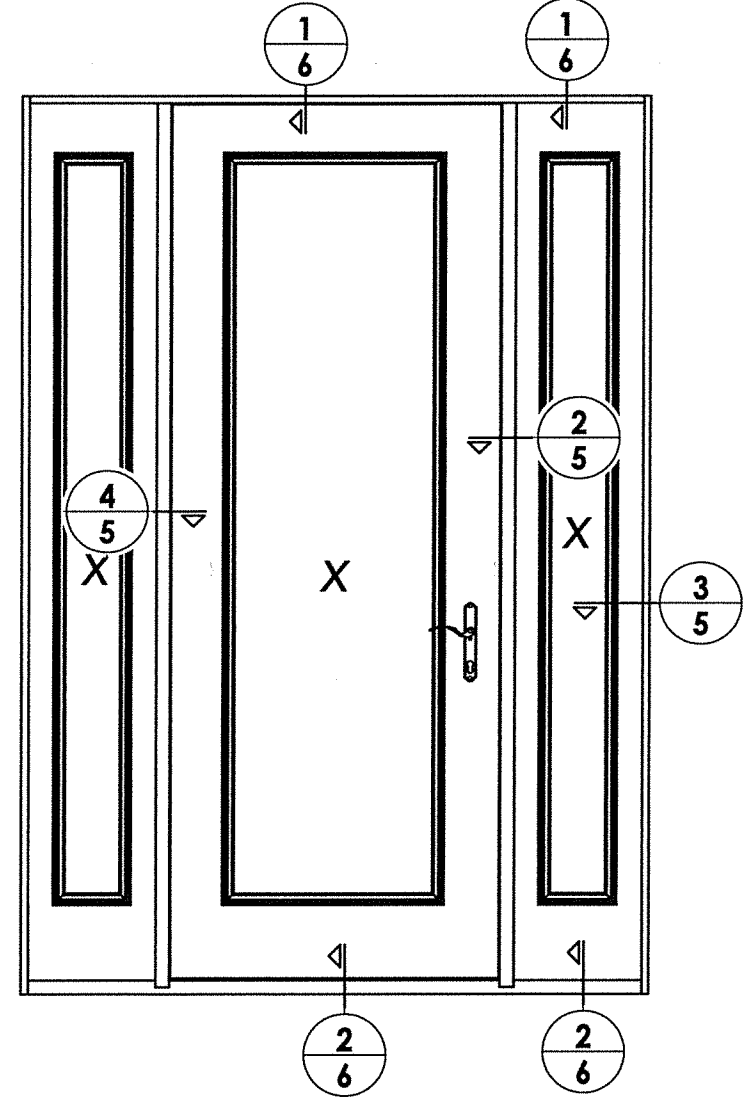
Documents Prepared By: Lyndon F. Schmidt, P.E.
 TEXAS P.E. #104123

RW BUILDING CONSULTANTS, INC.
 P.O. Box 230 Vairico FL, 33595
 Phone No.: 813.659.9197

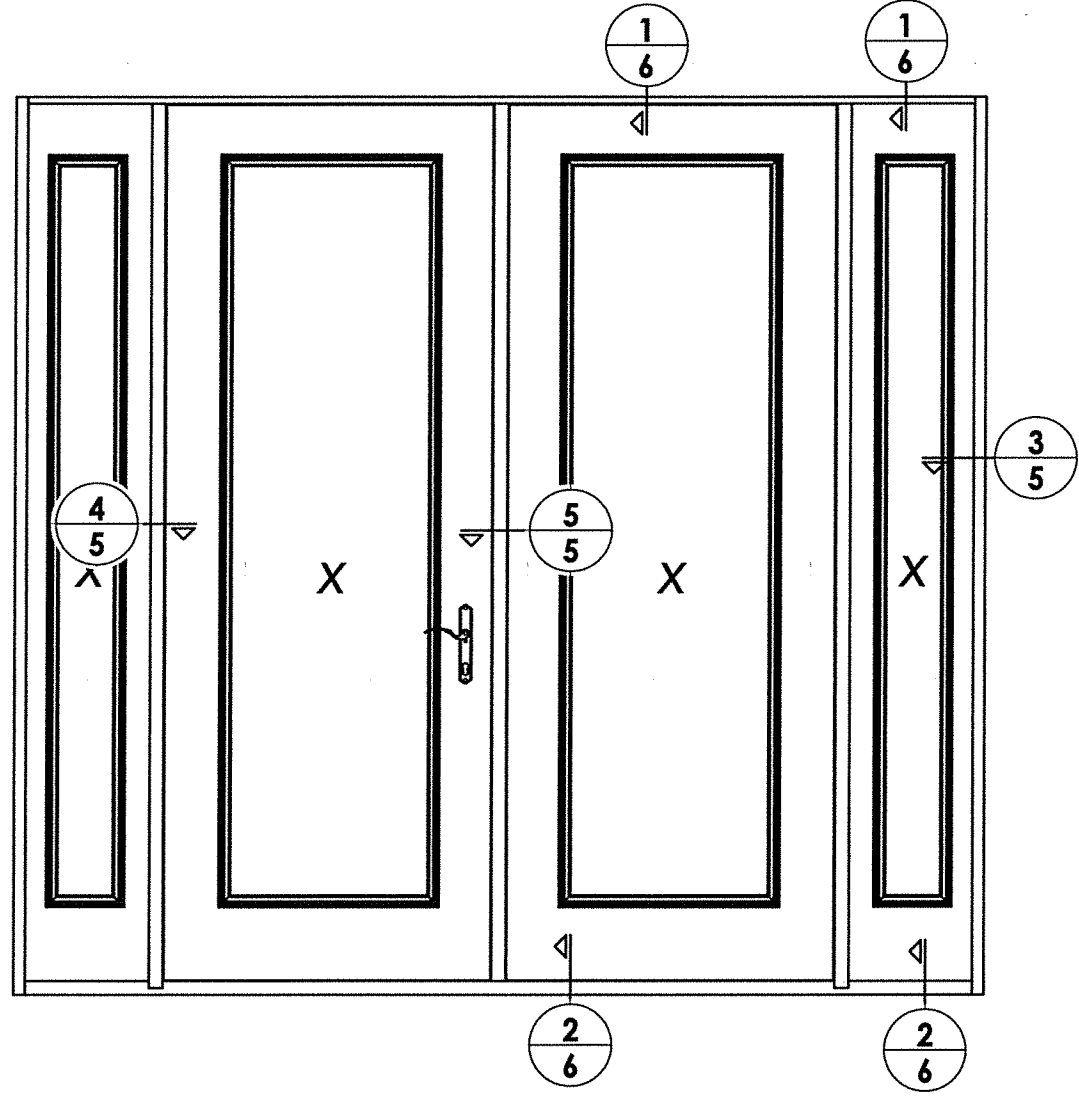
TEXAS BOARD OF PROFESSIONAL ENGINEERS
 CERTIFICATE OF REGISTRATION # F-11852



ELEVATION
XX



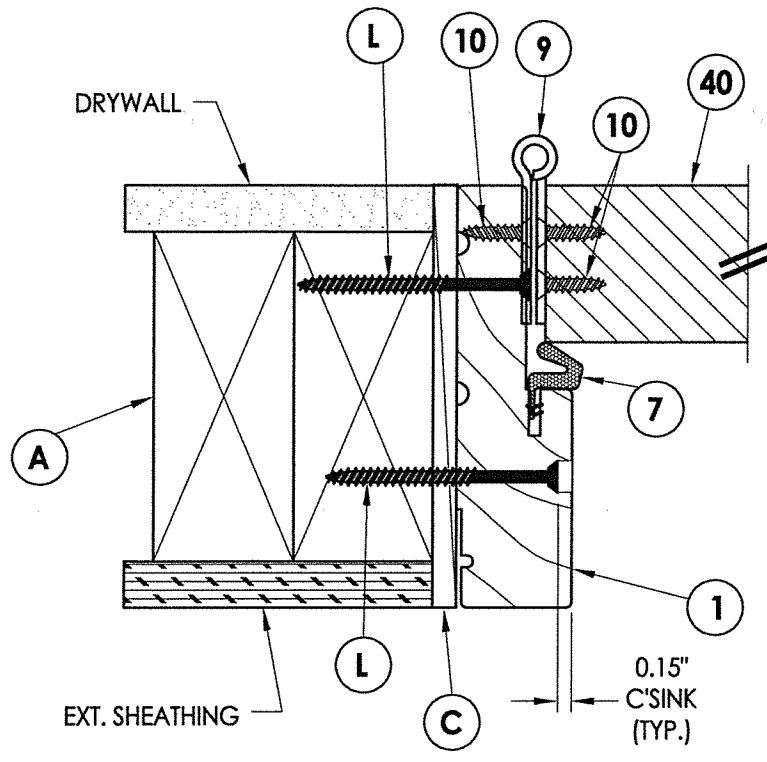
ELEVATION
XXX



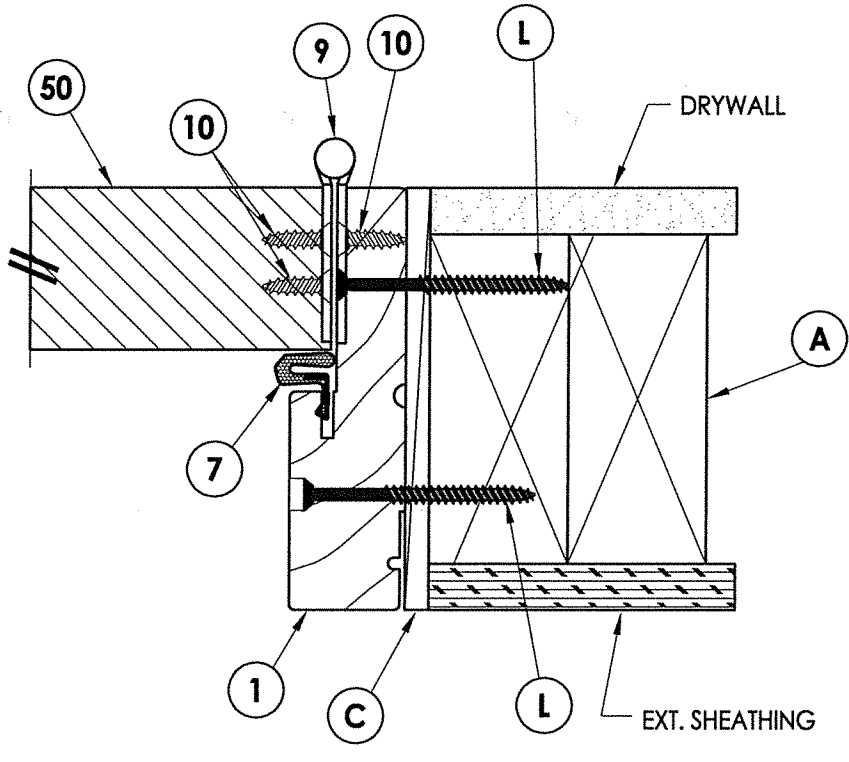
ELEVATION
XXXX

PRODUCT: THERMA TRU	
PART OR ASSEMBLY: ELEVATIONS	
NO.	DATE
2	5/13/20
1	7/16/15
REVISIONS	
DATE: 1/2/13	
SCALE: N.T.S.	
DWG. BY: JK	
CHK. BY: LFS	
DRAWING NO.: TX-4294	
SHEET 4 OF 10	

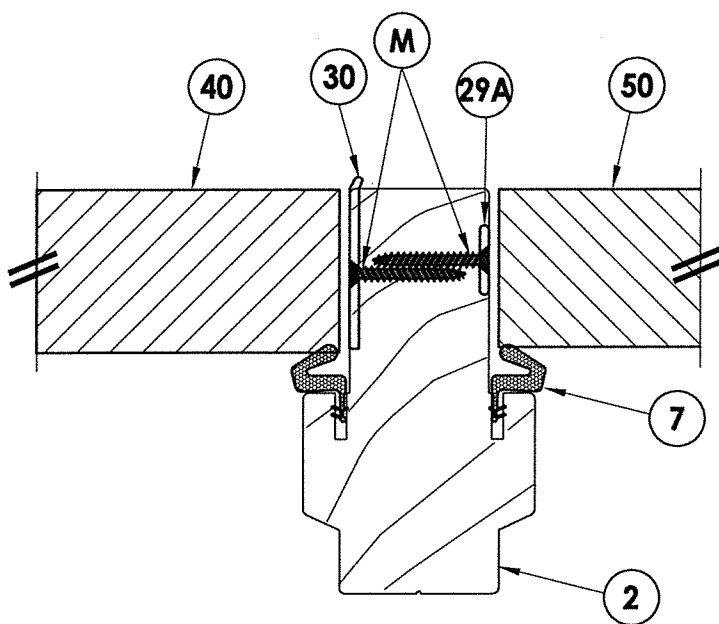
R:\Clients\Therma Tru PERMANENT\B - Texas Dept of Ins\TDI - DR 641 - 68 - 80 Glazed SS FG NonImp IS Vented Sidelites\C - Drawings\TX-4294.dwg, 5.4



1
5 HORIZONTAL CROSS SECTION

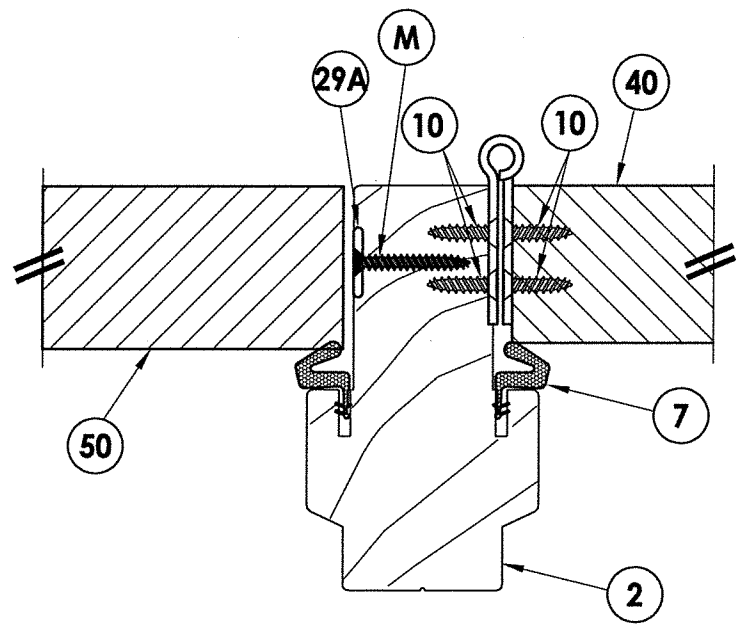


3
5 HORIZONTAL CROSS SECTION



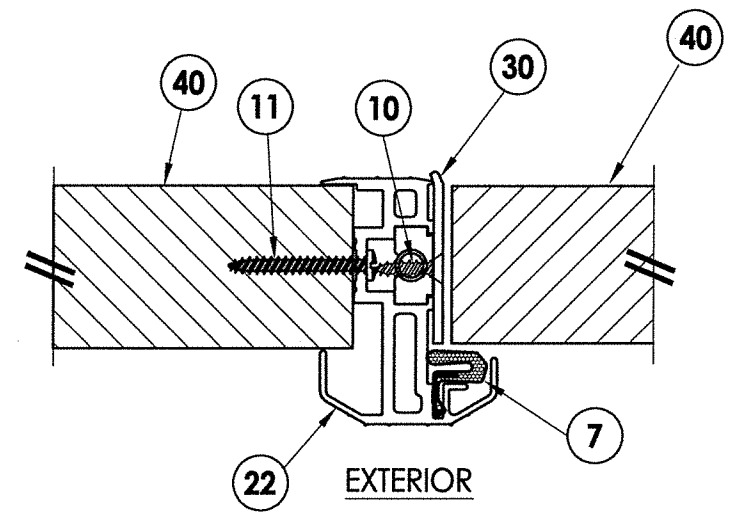
2
5 HORIZONTAL CROSS SECTION

INTERIOR
EXTERIOR



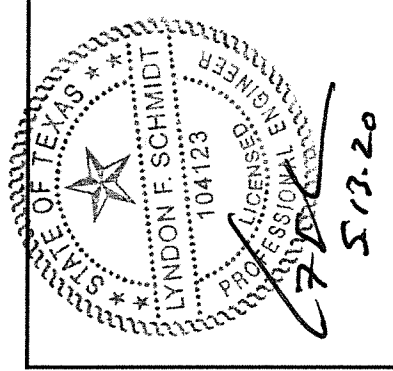
4
5 HORIZONTAL CROSS SECTION

INTERIOR



5
5 HORIZONTAL CROSS SECTION

EXTERIOR



Documents Prepared By: Lyndon F. Schmidt, P.E.
TEXAS P.E. #104123

RW BUILDING CONSULTANTS, INC.
P.O. Box 230 Valrico FL 33595
Phone No.: 813.659.9197

TEXAS BOARD OF PROFESSIONAL ENGINEERS
CERTIFICATE OF REGISTRATION # F-11852

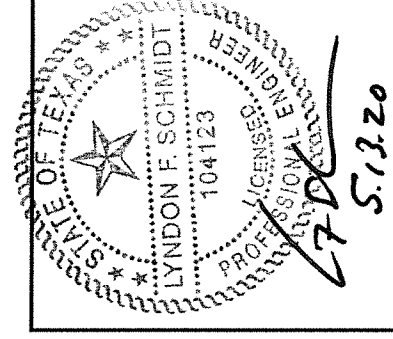
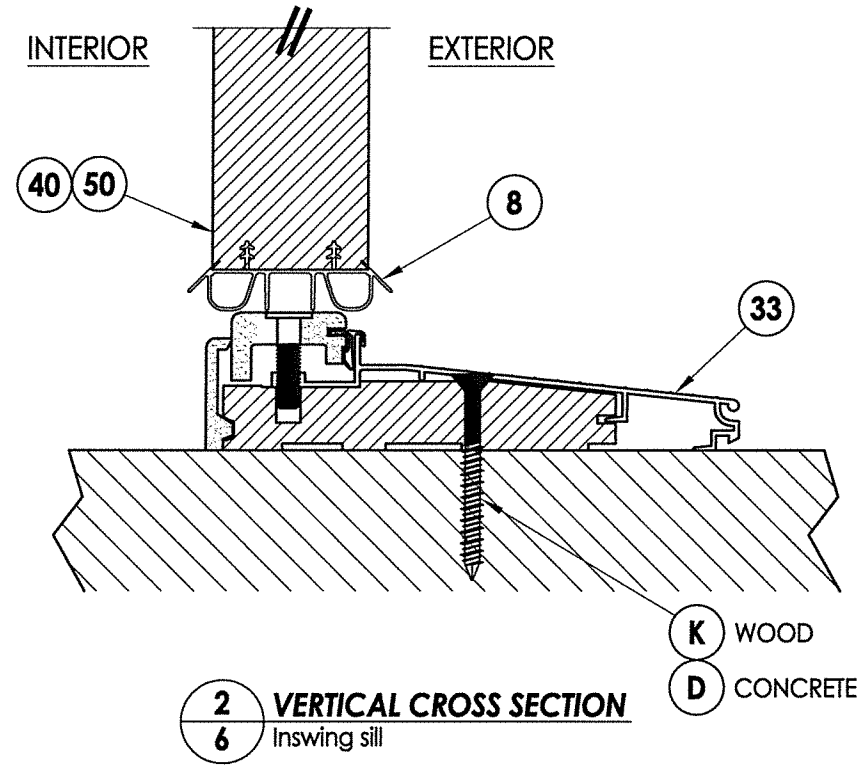
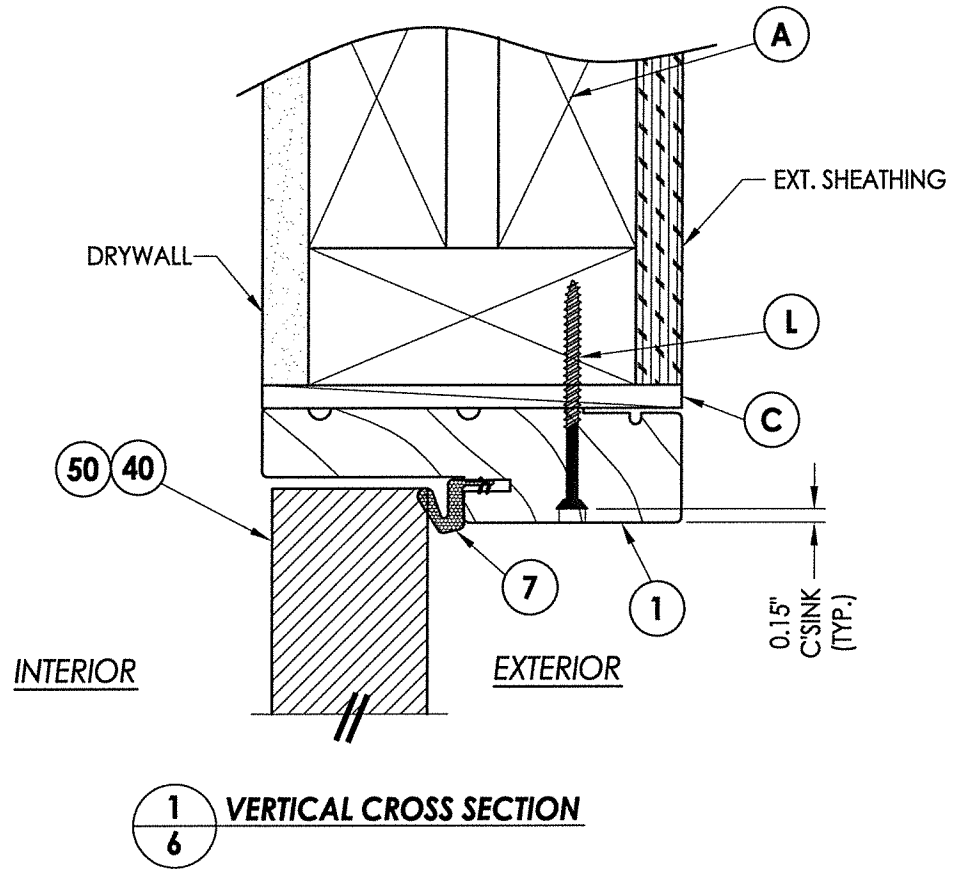
PRODUCT: THERMA-TRU

PART OR ASSEMBLY: HORIZONTAL CROSS SECTIONS

NO.	DATE	BY
2	5/13/20	LFS
1	7/16/15	LFS

REVISIONS

DATE: 1/2/13
SCALE: N.T.S.
DWG. BY: JK
CHK. BY: LFS
DRAWING NO.: TX-4294
SHEET 5 OF 10



Documents Prepared By: Lyndon F. Schmidt, P.E.
TEXAS P.E. #104123

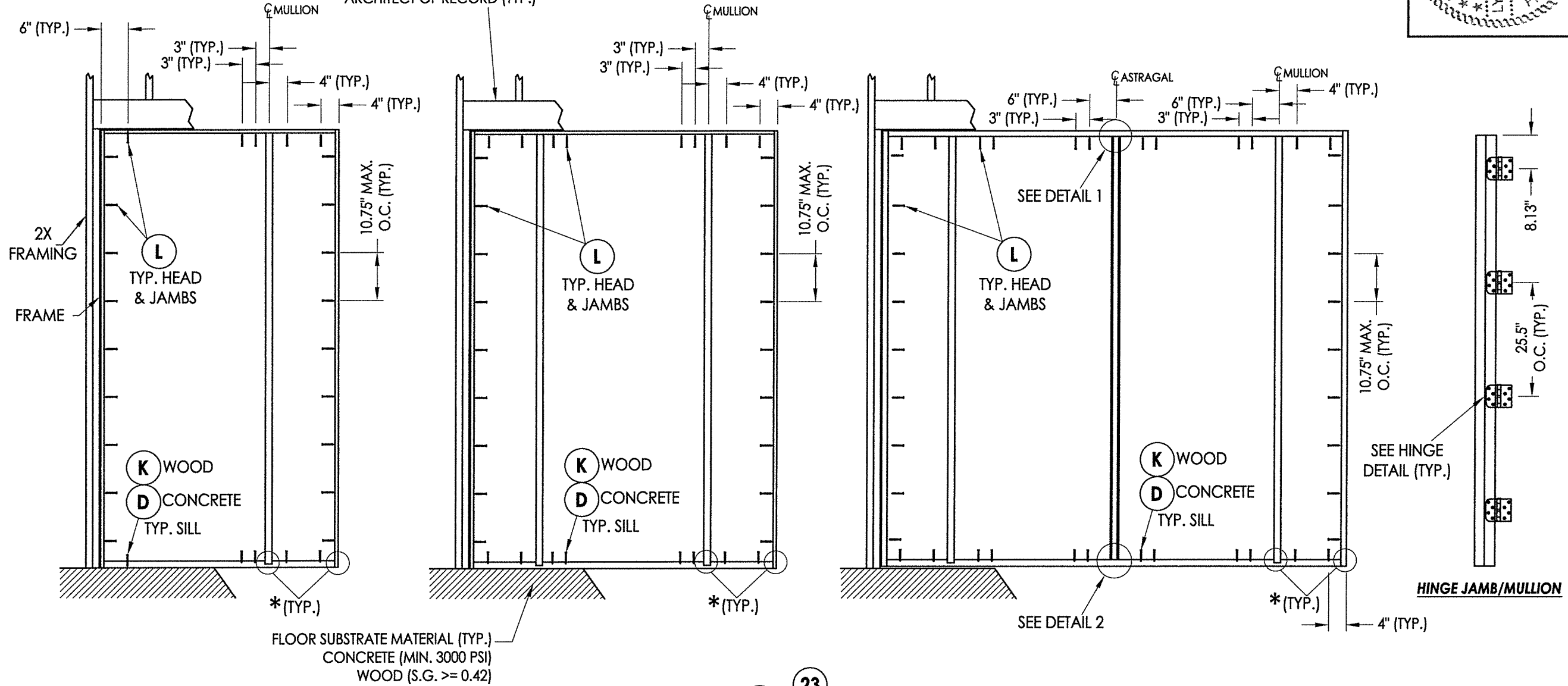
RW BUILDING CONSULTANTS, INC.
P.O. Box 230 Valrico FL 33595
Phone No.: 813.659.9197

TEXAS BOARD OF PROFESSIONAL ENGINEERS
CERTIFICATE OF REGISTRATION # F-11852

PRODUCT:	THERMA-TRU	
PART OR ASSEMBLY:	VERTICAL CROSS SECTIONS	
NO.	DATE	BY
2	5/13/20	LFS
1	7/16/15	LFS
REVISIONS		
DATE: 1/2/13		
SCALE: N.T.S.		
DWG. BY: JK		
CHK. BY: LFS		
DRAWING NO.: TX-4294		
SHEET 6 of 10		

* The frame jambs and vertical mullions are secured to the head and sill with (3) #8 x 2-1/2" wood screws each.

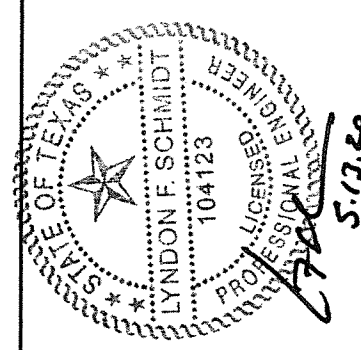
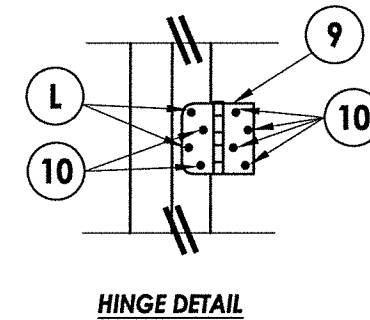
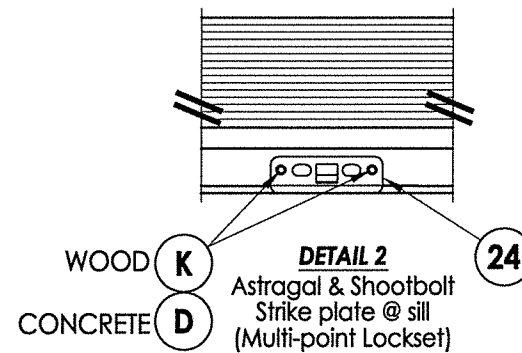
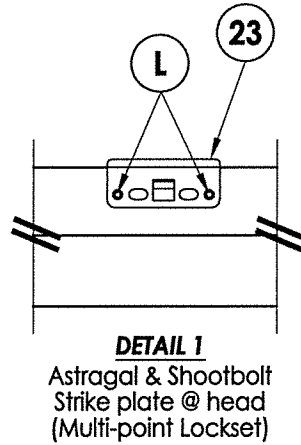
2X FRAMING TO BE DESIGNED BY THE ENGINEER OR ARCHITECT OF RECORD (TYP.)



CONCRETE ANCHOR NOTES:

1. Concrete anchor locations at the corners may be adjusted to maintain the min. edge distance to mortar joints.
2. Concrete anchor locations noted as "MAX. ON CENTER" must be adjusted to maintain the min. edge distance to mortar joints, additional concrete anchors may be required to ensure the "MAX. ON CENTER" dimension are not exceeded.
3. Concrete anchor table:

ANCHOR TYPE	ANCHOR SIZE	MIN. EMBEDMENT	MIN. CLEARANCE TO MASONRY EDGE	MIN. CLEARANCE TO ADJACENT ANCHOR
ITW TAPCON®	1/4"	1-3/4"	2-1/2"	3"
ELCO ULTRACON®	1/4"	1-3/4"	1"	3"

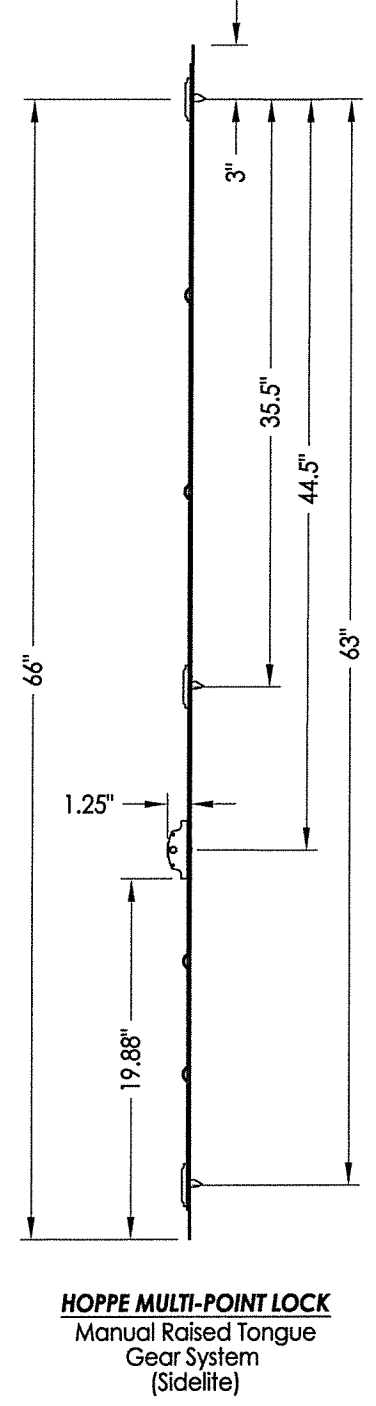
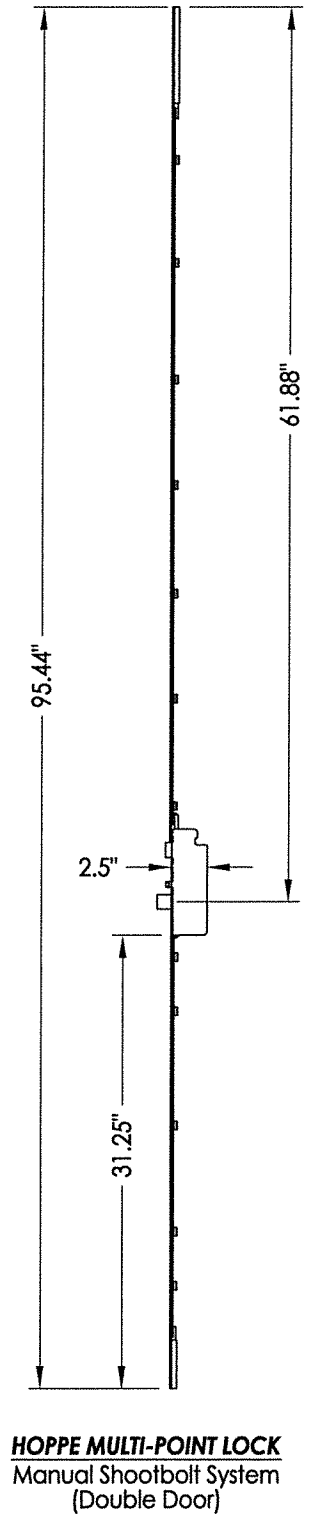
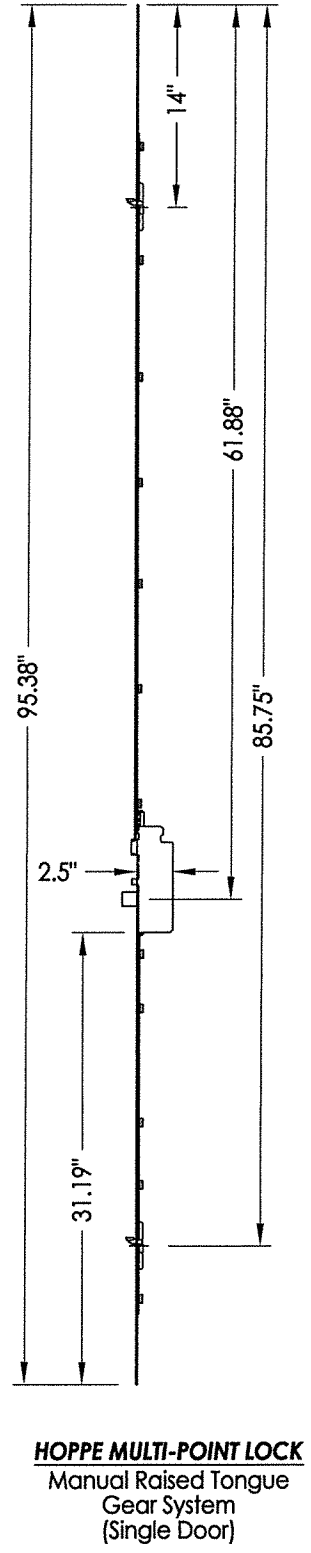
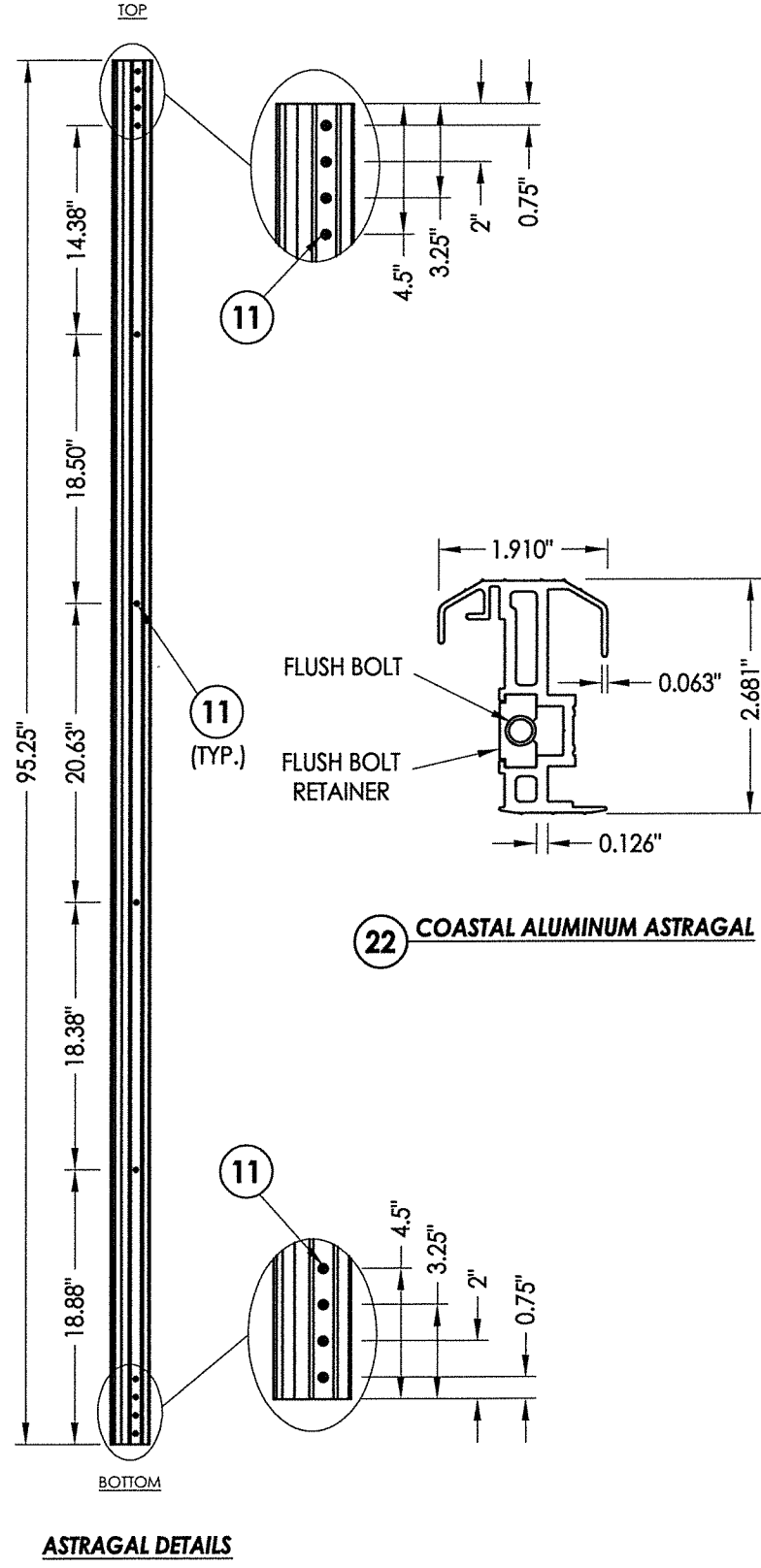


Documents Prepared By: Lyndon F. Schmidt, P.E.
TEXAS P.E. #104123

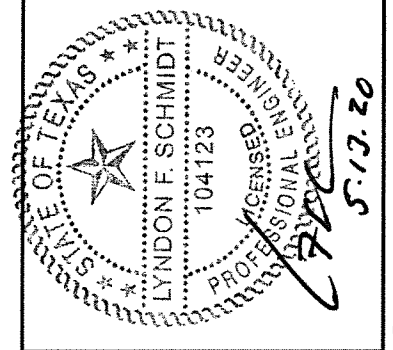
RW BUILDING CONSULTANTS, INC.
P.O. Box 230 Valrico FL 33595
Phone No.: 813.659.9197

TEXAS BOARD OF PROFESSIONAL ENGINEERS
CERTIFICATE OF REGISTRATION # F-11852

PRODUCT:	Therma-TRU
PART OR ASSEMBLY:	FRAME ANCHORING
DATE:	1/2/13
SCALE:	N.T.S.
DWG. BY:	JK
CHK. BY:	LFS
DRAWING NO.:	TX-4294
SHEET	7 OF 10



HOPPE MULTI-POINT LOCK SYSTEMS



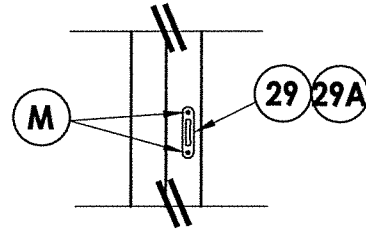
Documents Prepared By: Lyndon F. Schmidt, P.E.
TEXAS P.E. #104123

RW BUILDING CONSULTANTS, INC.
P.O. Box 230 Valrico FL 33595
Phone No.: 813.659.9197

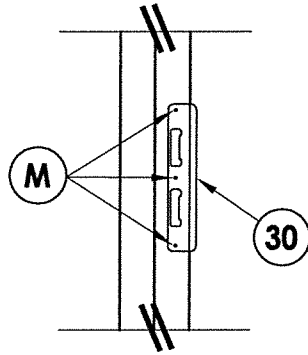
TEXAS BOARD OF PROFESSIONAL ENGINEERS
CERTIFICATE OF REGISTRATION # F-11852

PRODUCT:	THERMA TRU		
PART OR ASSEMBLY:	HARDWARE DETAILS		
NO	DATE	BY	REVISIONS
2	5/13/20	LFS	UPDATE TO 2018 IBC/IRC CODE
1	7/16/15	LFS	ADDED GENERAL NOTE 5.

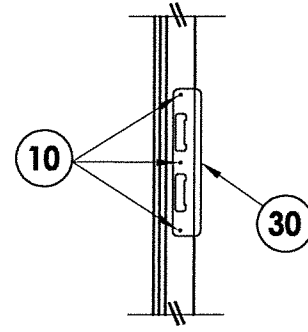
DATE: 1/2/13
 SCALE: N.T.S.
 DWG. BY: JK
 CHK. BY: LFS
 DRAWING NO.: TX-4294
 SHEET 8 OF 10



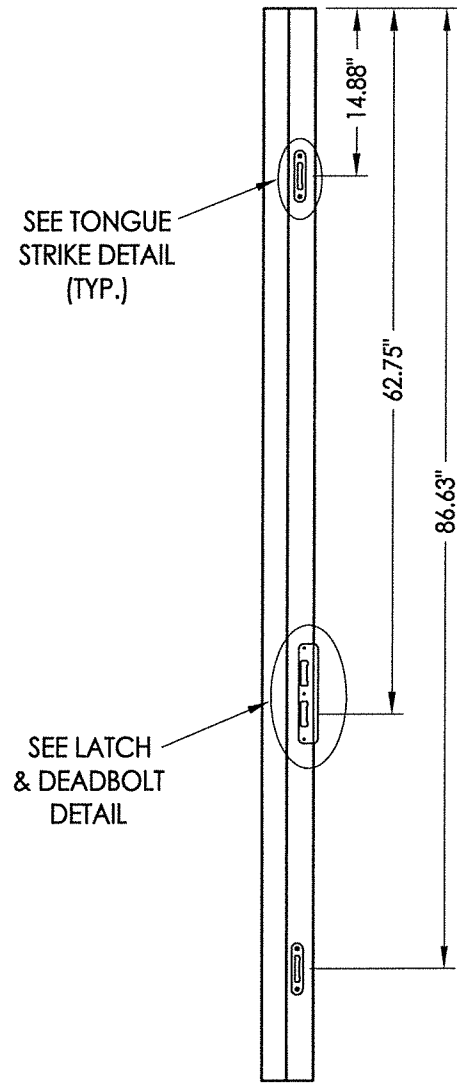
TONGUE STRIKE DETAIL
Single Door/Sidelite



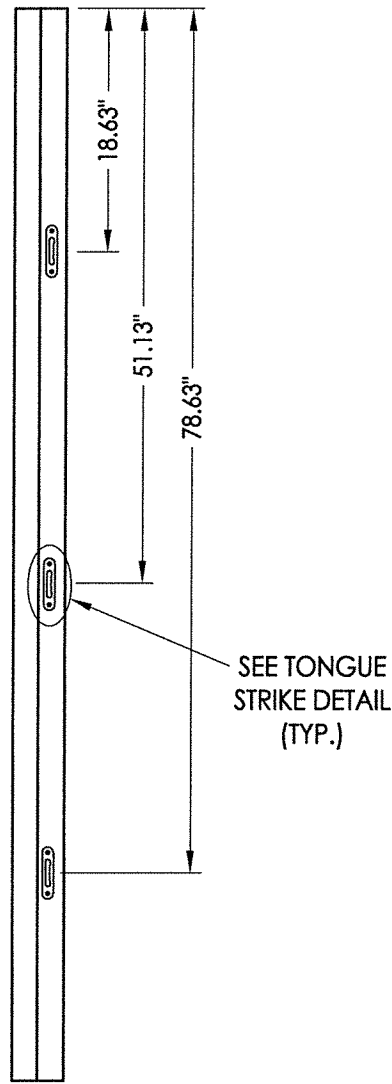
LATCH & DEADBOLT DETAIL
Single Door



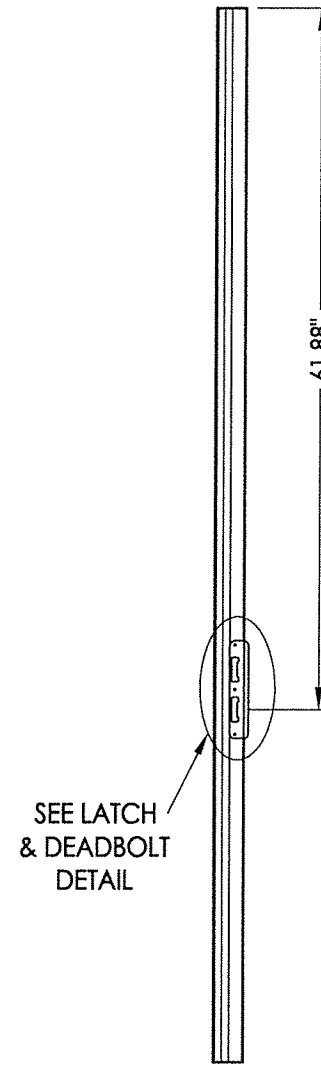
LATCH & DEADBOLT DETAIL
Double Door



STRIKE JAMB / MULLION
Single Door

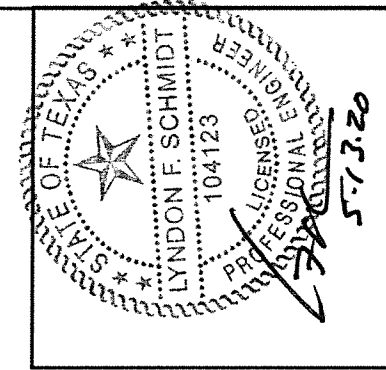


STRIKE MULLION
Sidelite



ASTRAGAL STRIKE
Double Door

MULTI-POINT LOCK STRIKE DETAILS

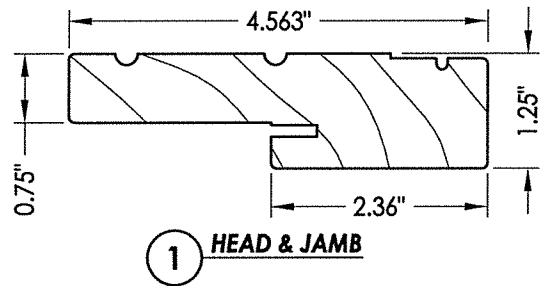


Documents Prepared By: Lyndon F. Schmidt, P.E.
TEXAS P.E. #104123

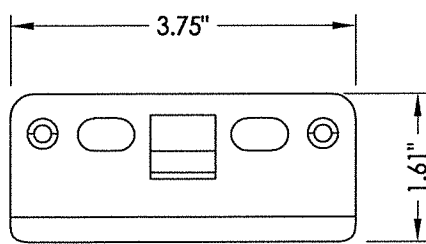
RW BUILDING CONSULTANTS, INC.
P.O. Box 230 Valrico FL, 33595
Phone No.: 813.659.9197
TEXAS BOARD OF PROFESSIONAL ENGINEERS
CERTIFICATE OF REGISTRATION # F-11852

PRODUCT:		THERMA-TRU	
PART OR ASSEMBLY:		HARDWARE STRIKE DETAILS	
NO.	DATE	BY	REVISIONS
2	5/13/20	LFS	UPDATE TO 2018 IBC/IRC CODE
1	7/16/15	LFS	ADDED GENERAL NOTE 5.
DATE: 1/2/13			
SCALE: N.T.S.			
DWG. BY: JK			
CHK. BY: LFS			
DRAWING NO.: TX-4294			
SHEET 9 OF 10			

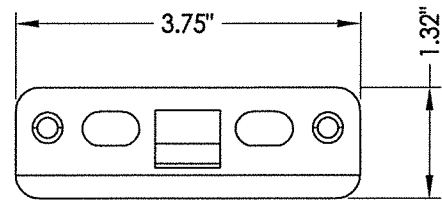
BILL OF MATERIALS		
ITEM #	DESCRIPTION	MATERIAL
A	2X FRAMING (G >= 0.42)	WOOD
C	1/4" MAX. SHIM SPACE	-
D	1/4" ELCO OR ITW CONCRETE SCREW (1-3/4" MIN. EMBEDMENT)	STEEL
K	#12 X 3" PFH WOOD SCREW (1-1/2" MIN. EMBEDMENT)	STEEL
L	#10 X 2-1/2" PFH WOOD SCREW (1.15" MIN. EMBEDMENT)	STEEL
M	#8 X 1-1/4" PFH WOOD SCREW	STEEL
1	HEAD AND SIDE JAMB (FINGER-JONTEDED PINE) (G >= 0.42)	WOOD
2	INTEGRAL MULLION (FINGER-JONTEDED PINE) (G >= 0.42)	WOOD
7	WEATHER-STRIP (THERMA-TRU)	FOAM
8	DOOR BOTTOM SWEEP	PVC
9	4" X 4" HINGE	STEEL
10	#10 X 3/4" PFH WOOD SCREW	STEEL
11	#10 X 1-3/4" PFH WOOD SCREW	STEEL
22	COASTAL ALUMINUM ASTRAGAL	ALUM
23	ASTRAGAL & SHOOTBOLT STRIKE PLATE (AT HEAD)	STEEL
24	ASTRAGAL & SHOOTBOLT STRIKE PLATE (AT SILL)	STEEL
29	TONGUE STRIKE PLATE (DOOR TONGUE SYSTEM)	STEEL
29A	TONGUE STRIKE PLATE (SIDELITE TONGUE SYSTEM)	STEEL
30	LATCH & DEADBOLT STRIKE PLATE (TONGUE SYSTEM)	STEEL
33	INSWING THRESHOLD	ALUM/COMP
40	FIBERGLASS DOOR PANEL - SMOOTH STAR/ FIBER CLASSIC	-
50	FIBERGLASS SIDELITE PANEL - SMOOTH STAR/ FIBER CLASSIC	-



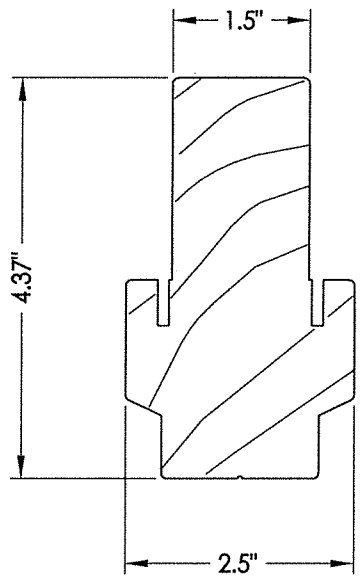
1 HEAD & JAMB



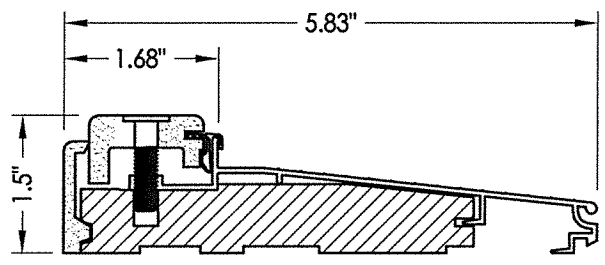
23 ASTRAGAL & SHOOTBOLT
Strike plate @ head



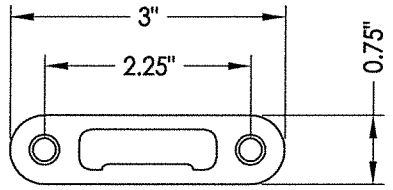
24 ASTRAGAL & SHOOTBOLT
Strike plate @ sill



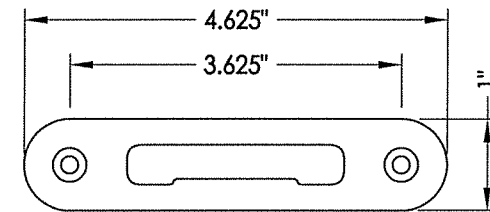
2 INTEGRAL MULLION



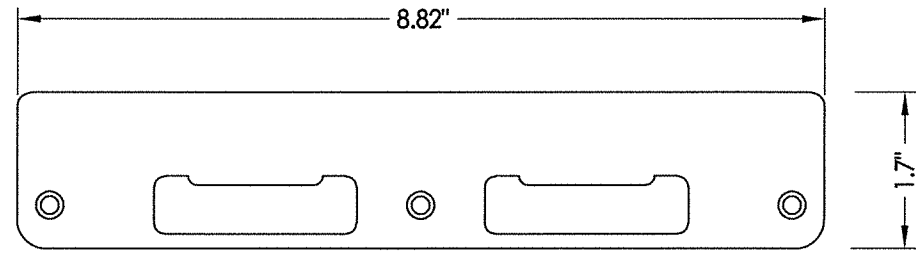
33 INSWING THRESHOLD



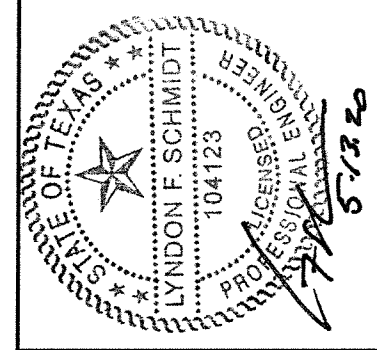
29A TONGUE STRIKE PLATE
Sidelite Tongue system



29 TONGUE STRIKE PLATE
Door Tongue system



30 LATCH & DEADBOLT STRIKE PLATE
Tongue system



Documents Prepared By: Lyndon F. Schmidt, P.E.
TEXAS P.E. #104123

RW BUILDING CONSULTANTS, INC.
P.O. Box 230 Valrico FL 33595
Phone No.: 813.659.9197
TEXAS BOARD OF PROFESSIONAL ENGINEERS
CERTIFICATE OF REGISTRATION # F-11852

PRODUCT:	THERMA TRU	
PART OR ASSEMBLY:	BILL OF MATERIAL & COMPONENTS	
NO.	DATE	REVISIONS
2	5/13/20	UPDATE TO 2018 IBC/IRC CODE
1	7/16/15	ADDED GENERAL NOTE 5.
LFS		BY
LFS		BY
DATE:	1/2/13	
SCALE:	N.T.S.	
DWG. BY:	JK	
CHK. BY:	LFS	
DRAWING NO.:	TX-4294	
SHEET	10	OF 10