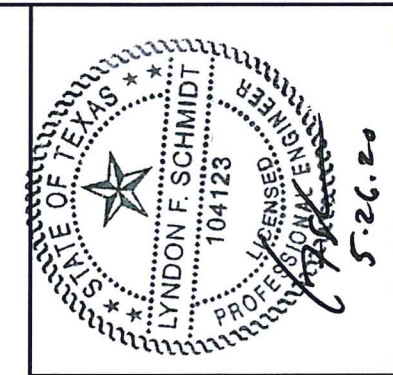


plastpro

5200 W. CENTURY BLVD.
LOS ANGELES, CA 90045



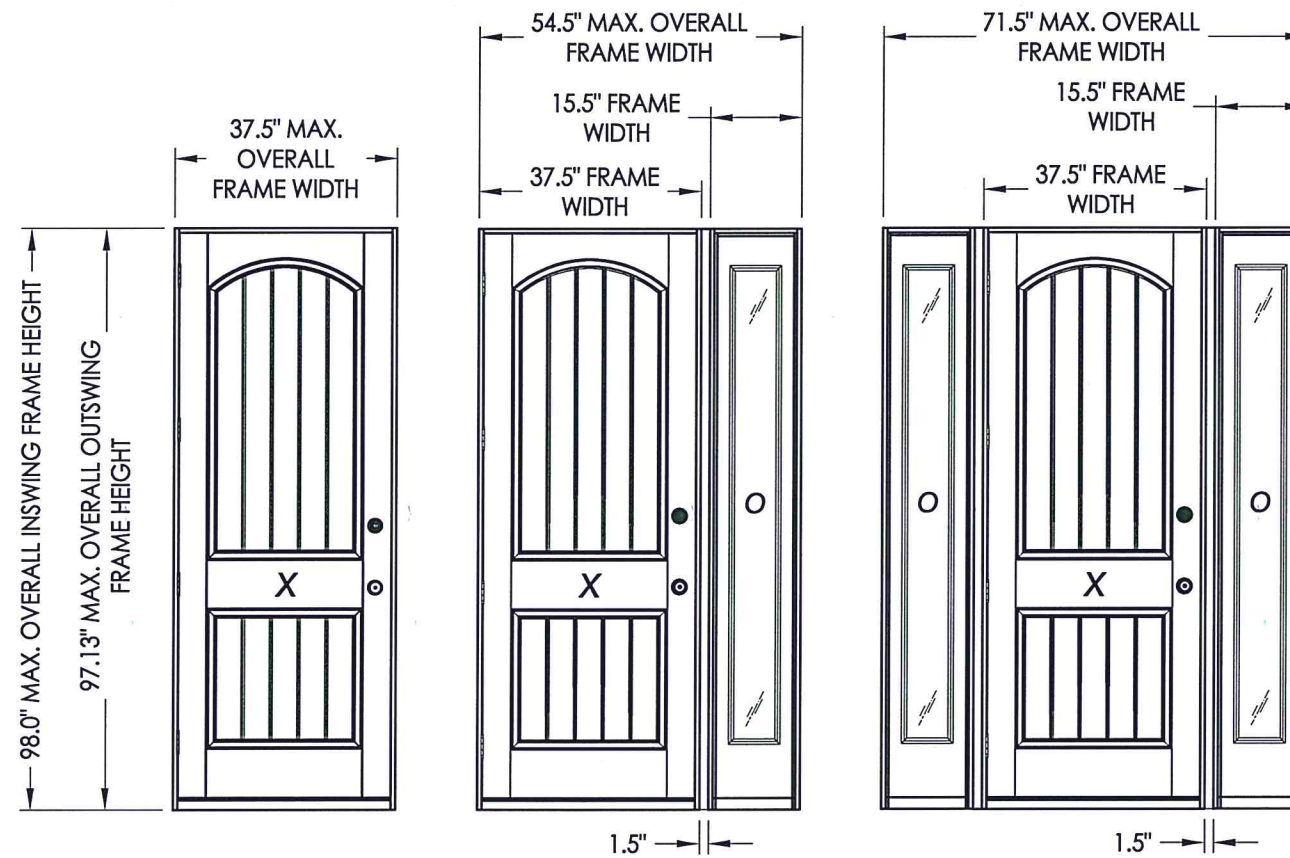
5-26-20

Documents Prepared By: Lyndon F. Schmidt, P.E.
TEXAS P.E. #104123

RW BUILDING CONSULTANTS, INC.
P.O. Box 230 Vairico FL, 33595
Phone No.: 813.659.9197
TEXAS BOARD OF PROFESSIONAL ENGINEERS
CERTIFICATE OF REGISTRATION # F-11852

Rustic/Mahogany/Woodgrain/Smooth Skin Series Fiberglass Single Door w/ & w/out Sidelite(s)

**INSWING / OUTSWING
"NON-IMPACT"**



EVALUATED FOR USE IN THE STATE OF TEXAS

The Fiberglass Door system described herein complies with the 2018 International Residential Code (IRC), Sections R301 & R609 and the 2018 International Building Code (IBC), Sections 1404.13, 1609, 1709.5, 2403 and 2404 subject to the following conditions:

1. Anchors shall be as listed and spaced as shown in the details. Anchor embedment to base material shall be beyond wall dressing or stucco.
2. When used in areas requiring wind-borne debris protection this product is required to be protected with an impact resistant covering that complies with Section R301.2.1.2 of the IRC and Section 1609.1.2 of the IBC.
3. Allowable design pressure requirements must be equal to or less than the design pressure rating shown in the design pressure chart, sheet 1 of this drawing.
4. Conditions not covered by this drawing are subject to further engineering analysis.

TABLE OF CONTENTS

SHEET#	DESCRIPTION
1	Typical elevations, design pressures & general notes
2	Door panel details
3	Door panel details
4	Sidelite panel details
5	Glazing details
6	Elevations
7	Horizontal cross sections
8	Vertical cross sections
9	Vertical cross sections
10	Frame anchoring
11	Frame anchoring
12	Bill of materials and components

CONFIGURATION	MAX. FRAME DIMENSION	MAX. SIDELITE D.L.O. DIMENSION	DESIGN PRESSURE (PSF) INSWING		DESIGN PRESSURE (PSF) OUTSWING	
			POSITIVE	NEGATIVE	POSITIVE	NEGATIVE
X	37.5" x 98.0"	N / A	+60.0	-65.0	+60.0	-60.0
XO/OX	54.5" x 98.0"	7.0" X 79.0"	+55.0	-60.0	+55.0	-55.0
OXO	71.5" x 98.0"	7.0" X 79.0"	+55.0	-60.0	+55.0	-55.0

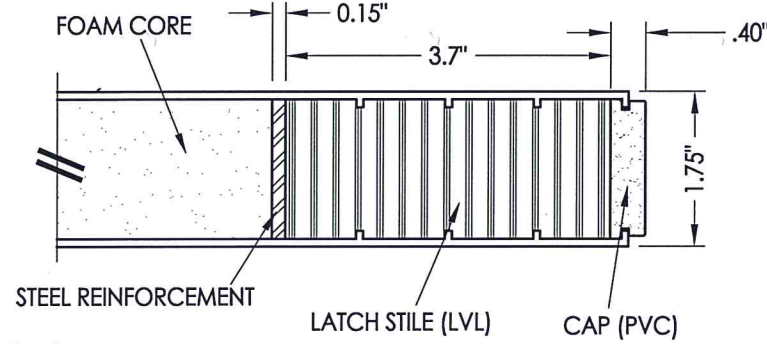
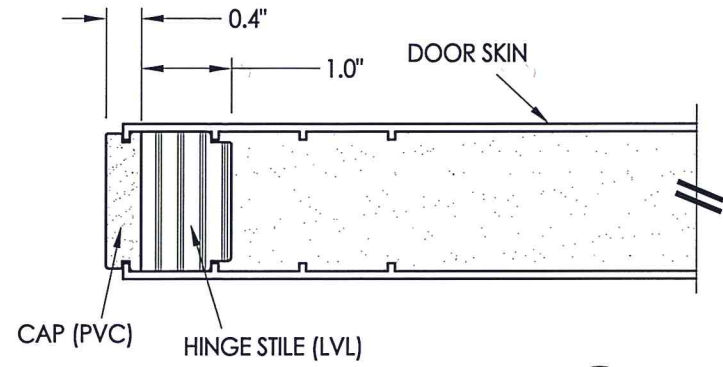
SEE SHEET 5 FOR TRIMLITE LITE FRAME DESIGN PRESSURE LIMITATIONS.

PRODUCT: PLASTPRO FIBERGLASS DOOR
PART OR ASSEMBLY: TYPICAL ELEVATION, DESIGN PRESSURES & GENERAL NOTES

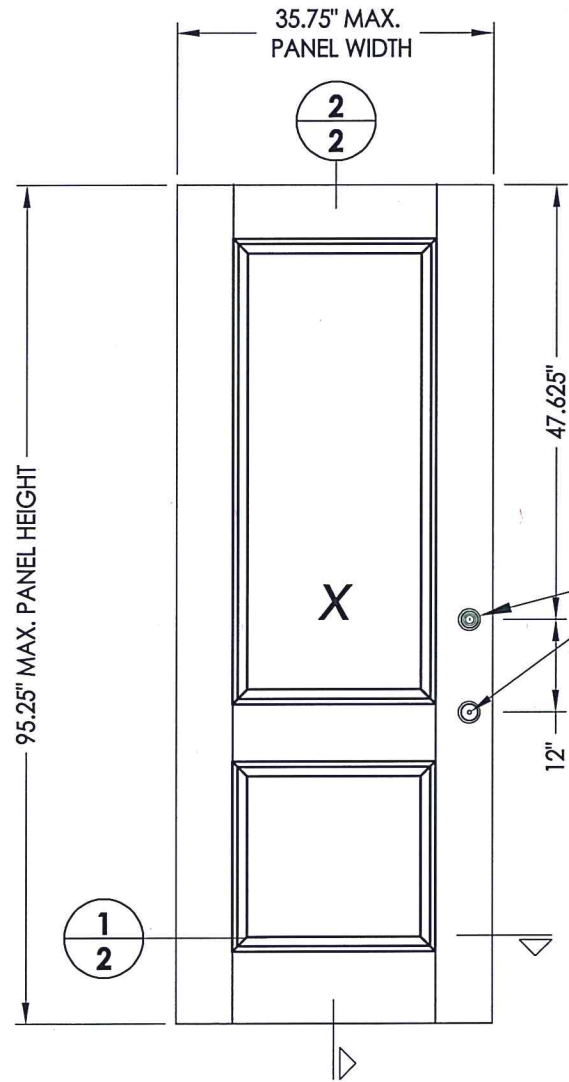
NO.	DATE	BY	REVISIONS
2	5/26/20	LFS	UPDATE TO 2018 IBC/IRC CODE
1	4/27/16	LFS	ADDED TRIMLITE LITE FRAME

DATE: 11/29/12
SCALE: N.T.S.
DWG. BY: JK
CHK. BY: LFS
DRAWING NO.: TX-4285
SHEET 1 OF 12

R:\Clients\Plastpro, Inc PERMANENT\B - TD\TDI - DR 627 Opaque Fiberglass (Non-Impact)\C - Drawings\TX-4285-86.dwg, 2.3 (2)

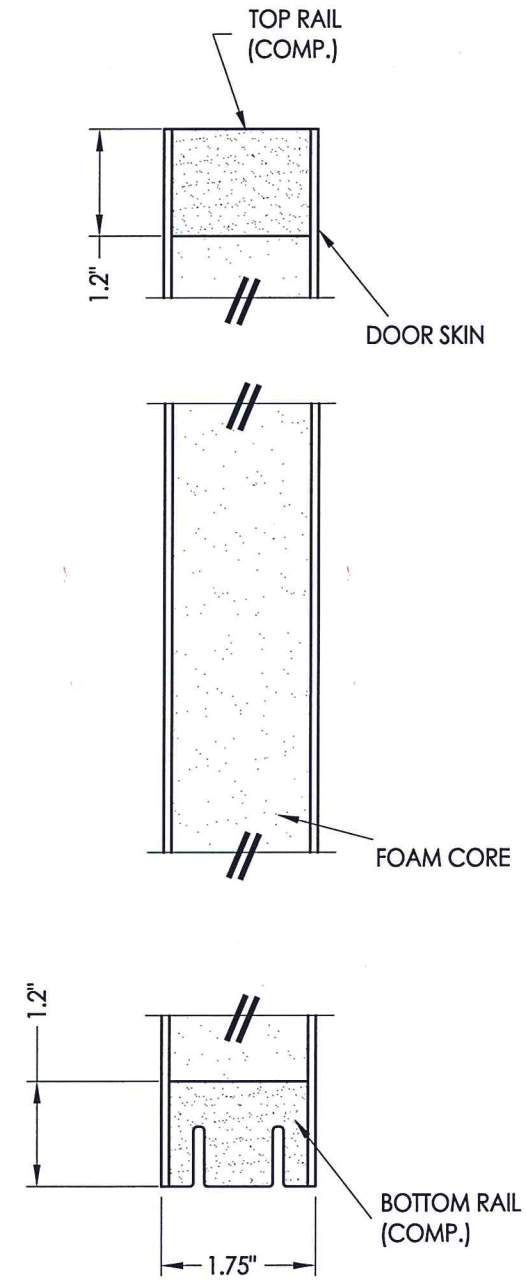


1
2 HORIZONTAL CROSS SECTION

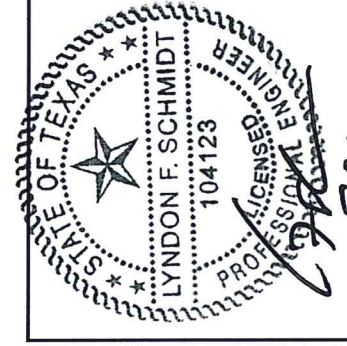


40 DOOR PANEL
Woodgrain / Smooth Skin Series

HARDWARE TABLE	
MANUFACTURER	MODEL
SCHLAGE	KNOB: "F" SERIES
	DEADBOLT: "B" SERIES
KWIKSET	KNOB: SIGNATURE SERIES
	DEADBOLT: SIGNATURE SERIES (780)



2
2 VERTICAL CROSS SECTION



Documents Prepared By: Lyndon F. Schmidt, P.E.
TEXAS P.E. #104123

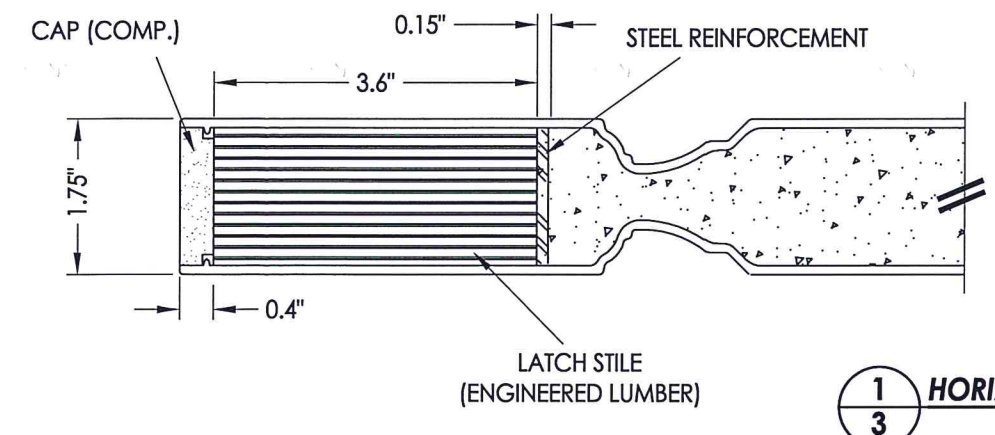
RW BUILDING CONSULTANTS, INC.
P.O. Box 230 Vairico FL 33595
Phone No.: 813.659.9197

TEXAS BOARD OF PROFESSIONAL ENGINEERS
CERTIFICATE OF REGISTRATION # F-11852

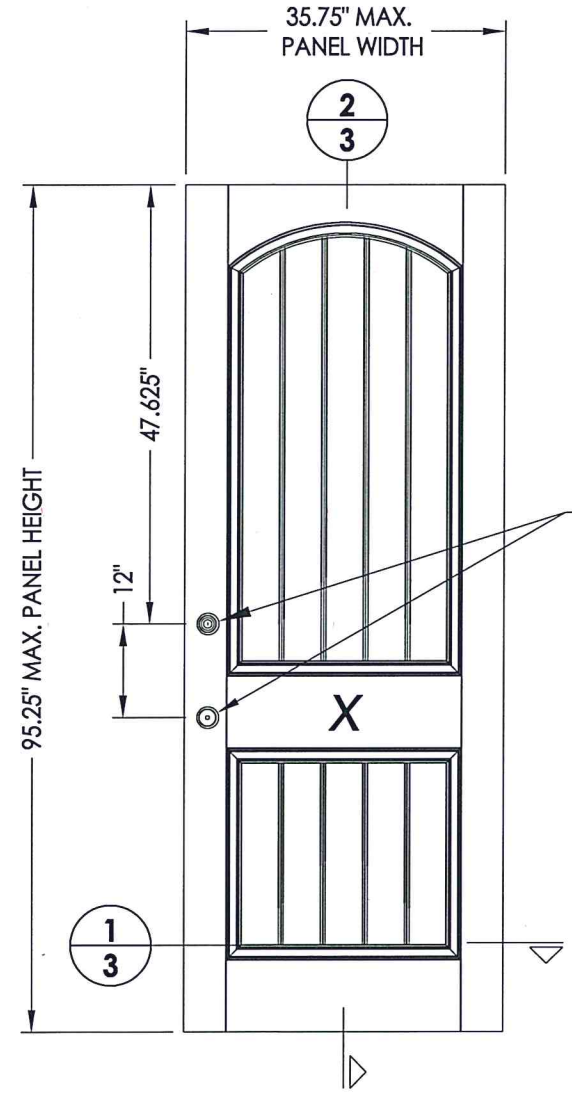
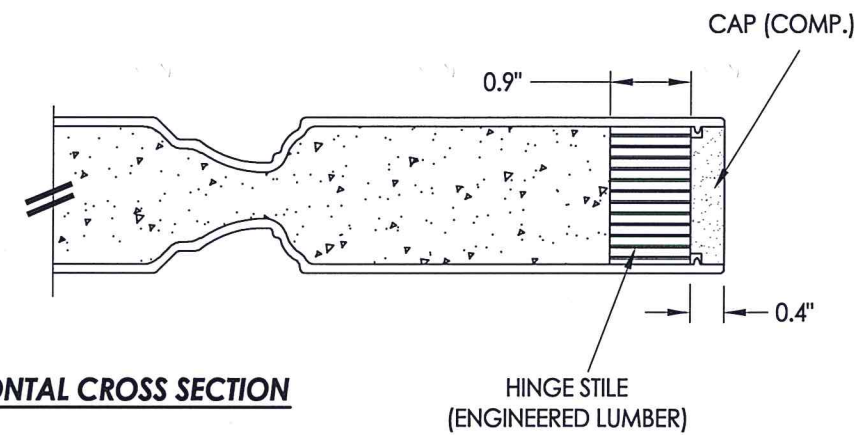
PRODUCT:	PLASTPRO INC. FIBERGLASS DOOR	
PART OR ASSEMBLY:	DOOR PANEL DETAILS	
NO.	DATE	BY
2	5/26/20	LFS
1	4/27/16	LFS
REVISIONS		
DATE:	11/29/12	
SCALE:	N.T.S.	
DWG. BY:	JK	
CHK. BY:	LFS	
DRAWING NO.:	TX-4285	
SHEET	2	OF 12

FIBERGLASS DOOR SKIN: MIN. 0.086" THK.
CORE MATERIAL: POLYURETHANE FOAM (1.9 PCF MIN.)

R:\Clients\Plastpro, Inc PERMANENT\B - TD\TDI - DR 627 Opaque Fiberglass (Non-Impact)\C - Drawings\TX-4285-86.dwg, 2.3

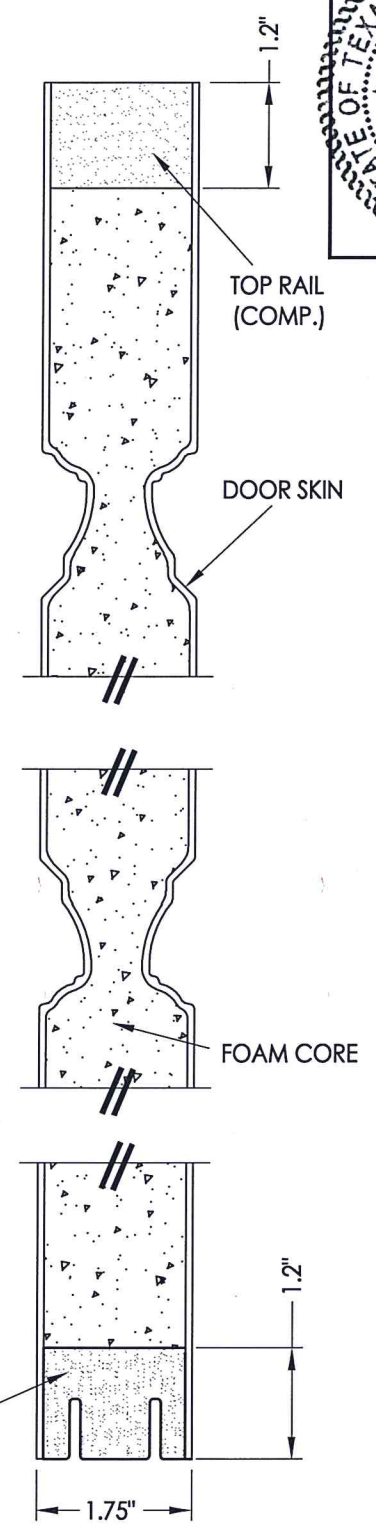


1
3 HORIZONTAL CROSS SECTION

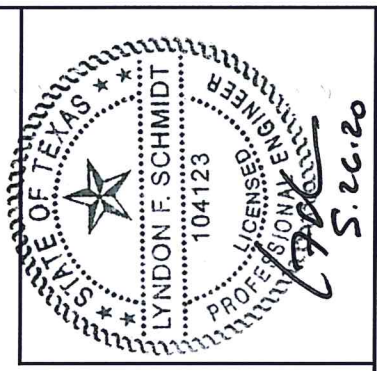


41 DOOR PANEL
Rustic / Mahogany Series

HARDWARE TABLE		
MANUFACTURER	MODEL	
SCHLAGE	KNOB:	"F" SERIES
	DEADBOLT:	"B" SERIES
KWIKSET	KNOB:	SIGNATURE SERIES
	DEADBOLT:	SIGNATURE SERIES (780)



2
3 VERTICAL CROSS SECTION



Documents Prepared By: Lyndon F. Schmidt, P.E.
TEXAS P.E. #104123

RW BUILDING CONSULTANTS, INC.
P.O. Box 230 Vairico FL 33595
Phone No.: 813.659.9197

TEXAS BOARD OF PROFESSIONAL ENGINEERS
CERTIFICATE OF REGISTRATION # F-11852

PRODUCT: PLASTPRO INC. FIBERGLASS DOOR

PART OR ASSEMBLY: DOOR PANEL DETAILS

NO.	DATE	BY	REVISIONS
2	5/26/20	LFS	UPDATE TO 2018 IBC/IRC CODE
1	4/27/16	LFS	ADDED TRIMLITE LITE FRAME

DATE: 11/29/12

SCALE: N.T.S.

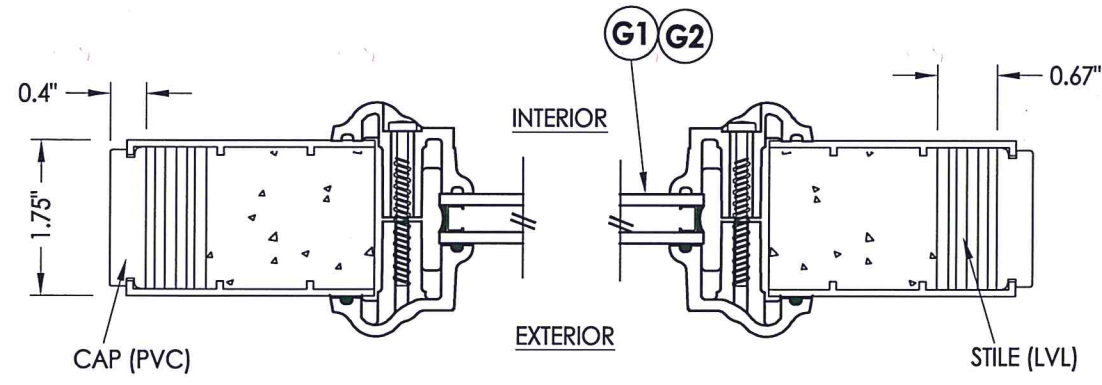
DWG. BY: JK

CHK. BY: LFS

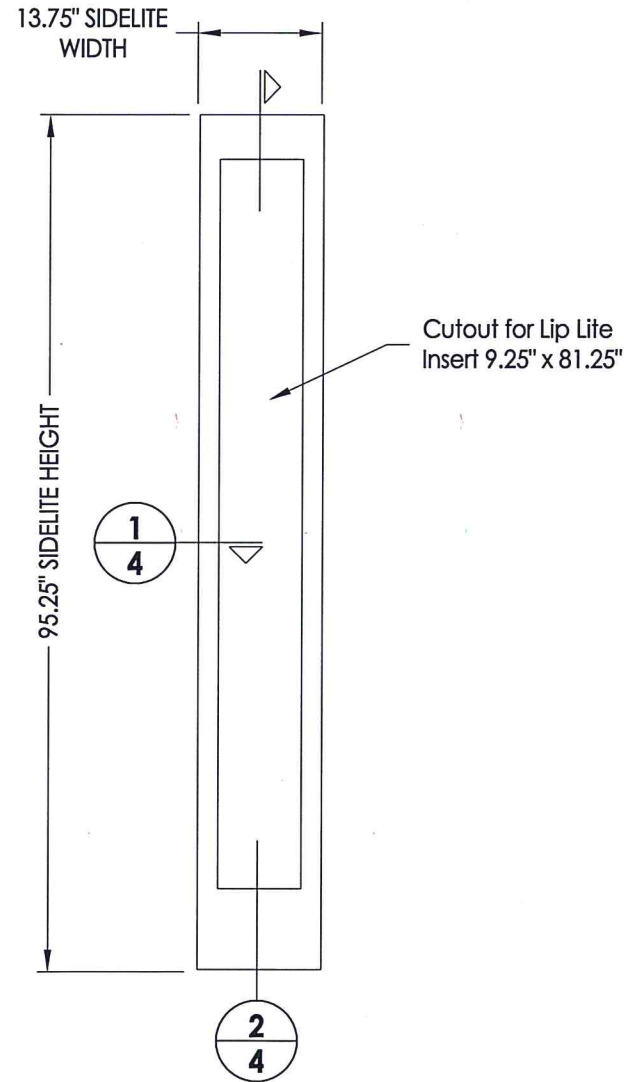
DRAWING NO.: TX-4285

SHEET 3 OF 12

FIBERGLASS DOOR SKIN: MIN. 0.100" THK.
CORE MATERIAL: POLYURETHANE FOAM (1.9 PCF MIN.)

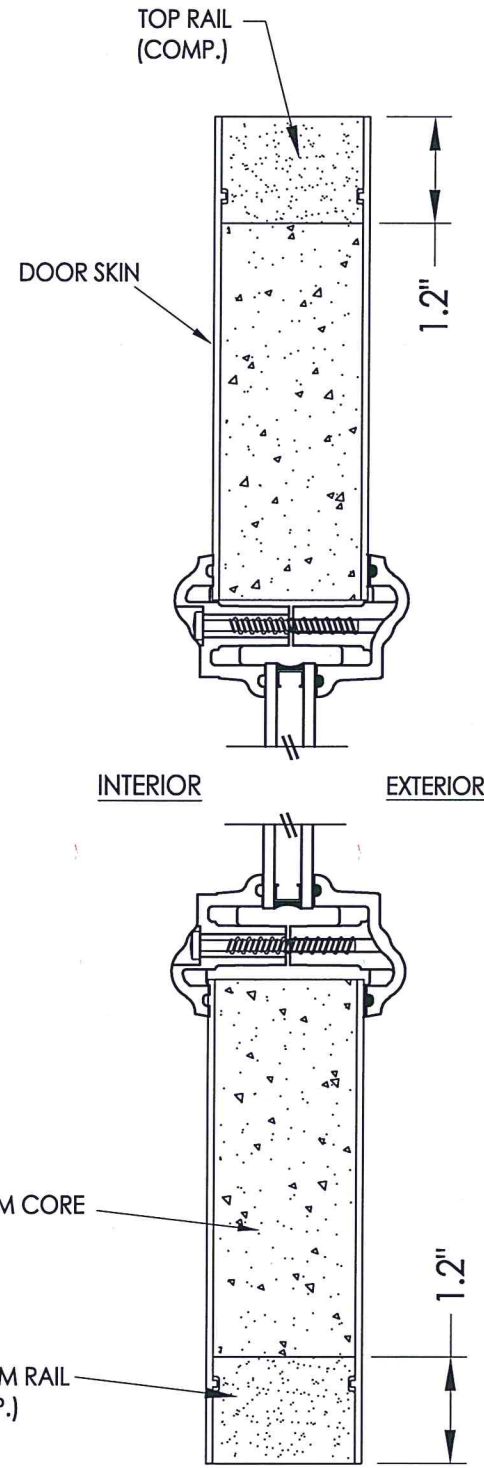


1 **HORIZONTAL CROSS SECTION**
4 Shown w/ ODL Lite Frame
 (Trimlite Lite Frame Similar)



50 **SIDELITE PANEL**
 Plastpro
 Fiberglass

FIBERGLASS SIDELITE SKIN: MIN. 0.086" THK.
 CORE MATERIAL: POLYURETHANE FOAM (1.9 PCF MIN.)



2 **VERTICAL CROSS SECTION**
4



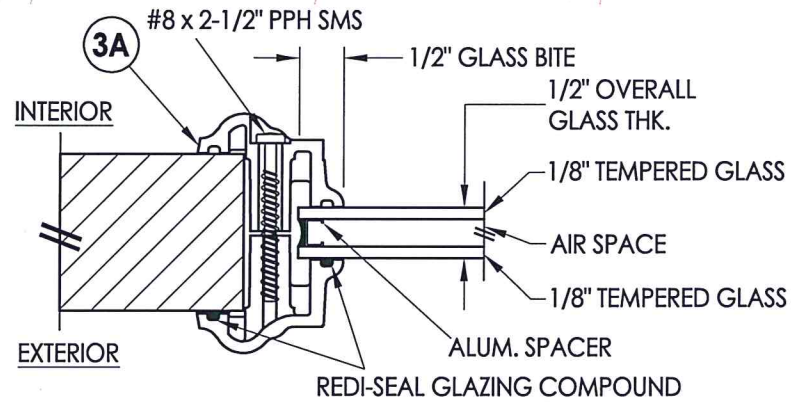
Documents Prepared By: Lyndon F. Schmidt, P.E.
 TEXAS P.E. #104123

RW BUILDING CONSULTANTS, INC.
 P.O. Box 230 Valrico FL 33595
 Phone No.: 813.659.9197

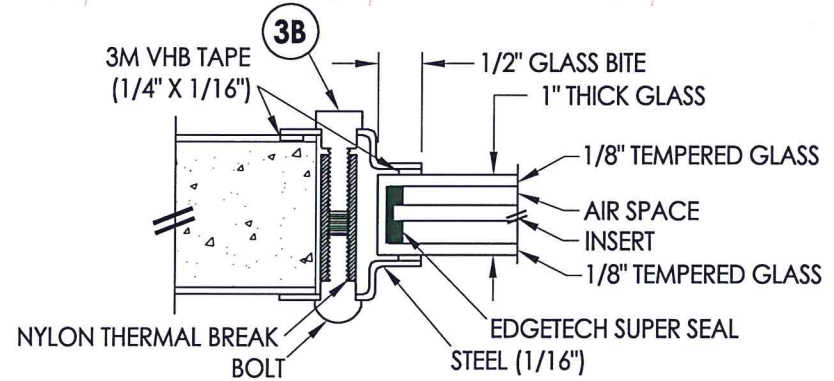
TEXAS BOARD OF PROFESSIONAL ENGINEERS
 CERTIFICATE OF REGISTRATION # F-11852

PRODUCT:		PLASTPRO INC. FIBERGLASS DOOR	
PART OR ASSEMBLY:		SIDELITE PANEL DETAILS	
NO.	DATE	DESCRIPTION	BY
2	5/26/20	UPDATE TO 2018 IBC/IRC CODE	LFS
1	4/27/16	ADDED TRIMLITE LITE FRAME	LFS
REVISIONS			BY
DATE: 11/29/12			
SCALE: N.T.S.			
DWG. BY: JK			
CHK. BY: LFS			
DRAWING NO.: TX-4285			
SHEET 4 OF 12			

R:\Clients\Plastpro, Inc PERMANENT\B - TD\TDI - DR 627 Opaque Fiberglass (Non-Impact)\C - Drawings\TX-4285-86.dwg, 4.3

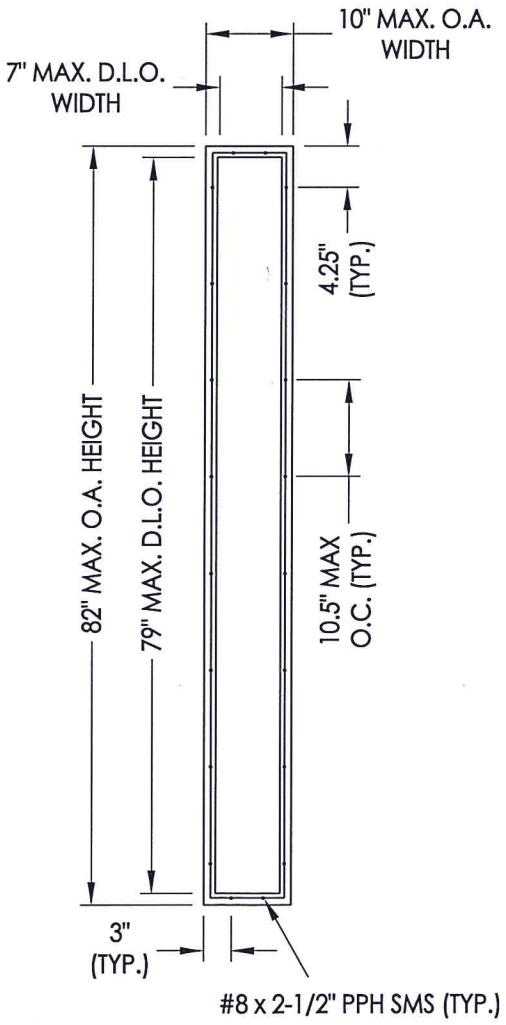


G1 GLAZING DETAIL
ODL LITE FRAME

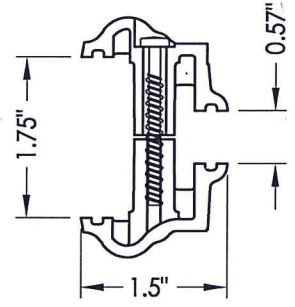


G2 GLAZING DETAIL
TRIMLITE LITE FRAME

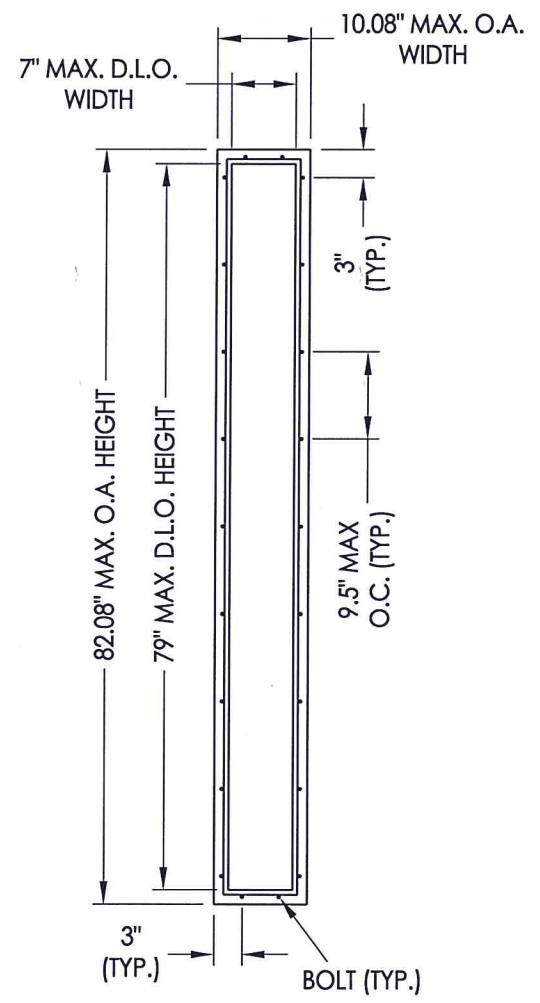
MAX. DESIGN PRESSURE = ± 50 PSF



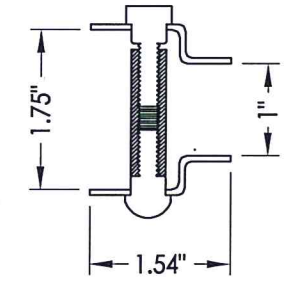
ODL LITE FRAME



3A ODL LITE FRAME
HP Polypropylene



TRIMLITE LITE FRAME



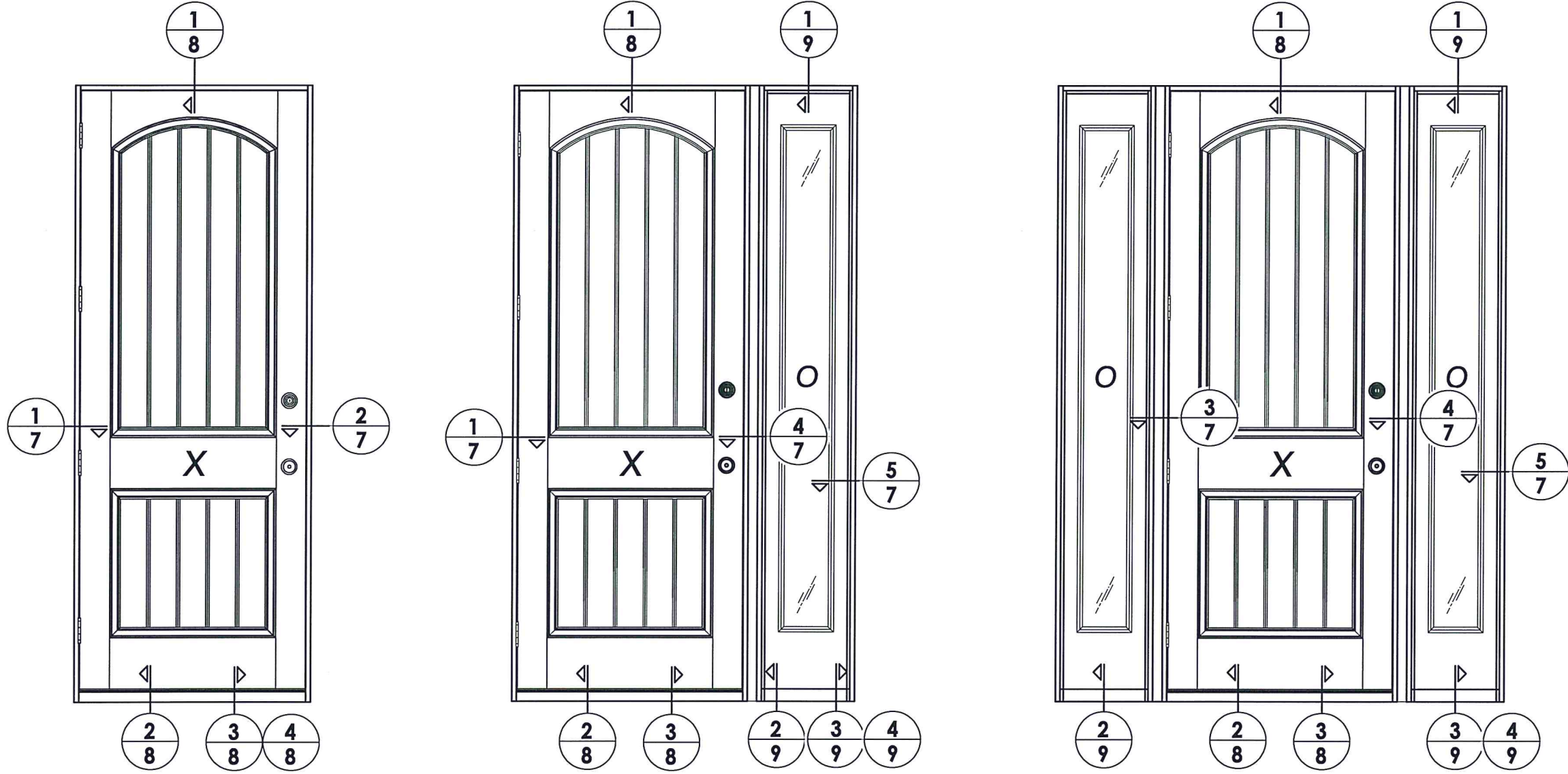
3B TRIMLITE LITE FRAME
Wrought Iron



Documents Prepared By: Lyndon F. Schmidt, P.E.
TEXAS P.E. #104123

RW BUILDING CONSULTANTS, INC.
P.O. Box 230 Valrico FL, 33595
Phone No.: 813.659.9197
TEXAS BOARD OF PROFESSIONAL ENGINEERS
CERTIFICATE OF REGISTRATION # F-11852

PRODUCT:		PLASTPRO INC. FIBERGLASS DOOR	
PART OR ASSEMBLY:		GLAZING DETAIL	
NO.	DATE	BY	REVISIONS
2	5/26/20	LFS	UPDATE TO 2018 IBC/IRC CODE
1	4/27/16	LFS	ADDED TRIMLITE LITE FRAME
DATE: 11/29/12			
SCALE: N.T.S.			
DWG. BY: JK			
CHK. BY: LFS			
DRAWING NO.: TX-4285			
SHEET 5 OF 12			



Documents Prepared By: Lyndon F. Schmidt, P.E.
 TEXAS P.E. #104123

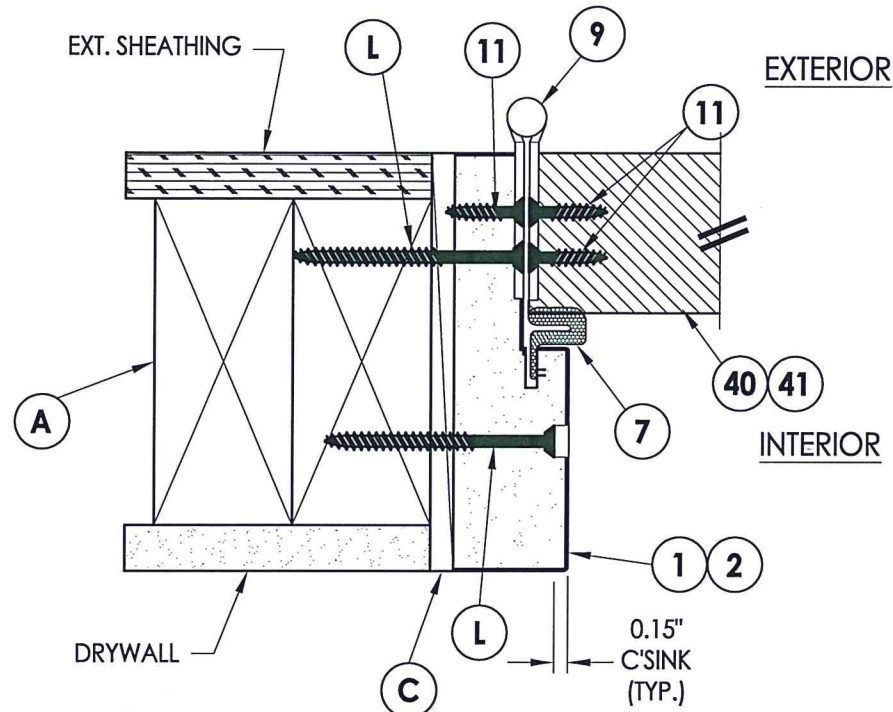
R.W. BUILDING CONSULTANTS, INC.
 P.O. Box 230 Valrico FL 33595
 Phone No.: 813.659.9197

TEXAS BOARD OF PROFESSIONAL ENGINEERS
 CERTIFICATE OF REGISTRATION # F-11852

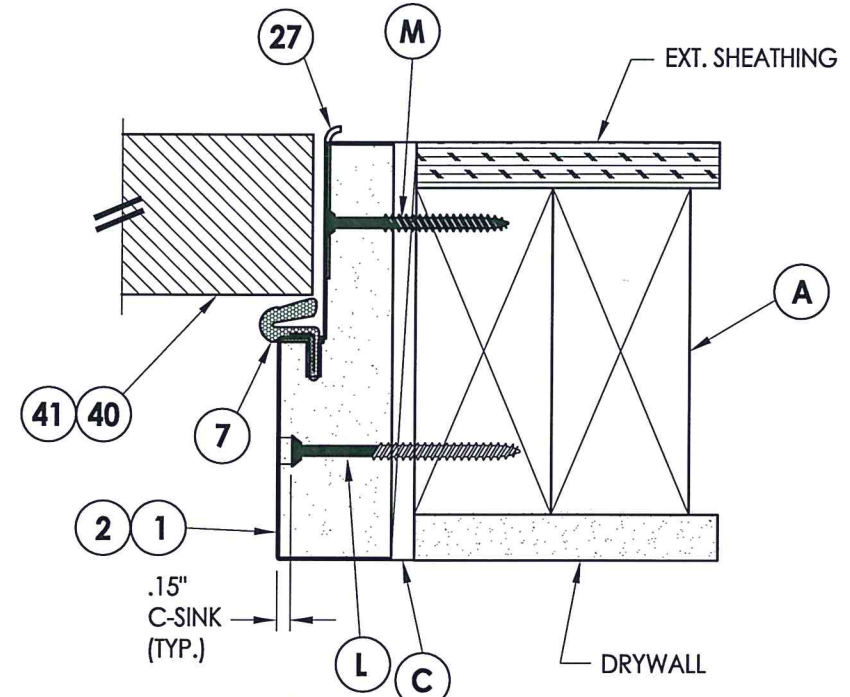
PRODUCT: PLASTPRO INC. FIBERGLASS DOOR
 PART OR ASSEMBLY: ELEVATIONS

NO.	DATE	REVISIONS	BY
2	5/26/20	UPDATE TO 2018 IBC/IRC CODE	LFS
1	4/27/16	ADDED TRIMLITE LITE FRAME	LFS

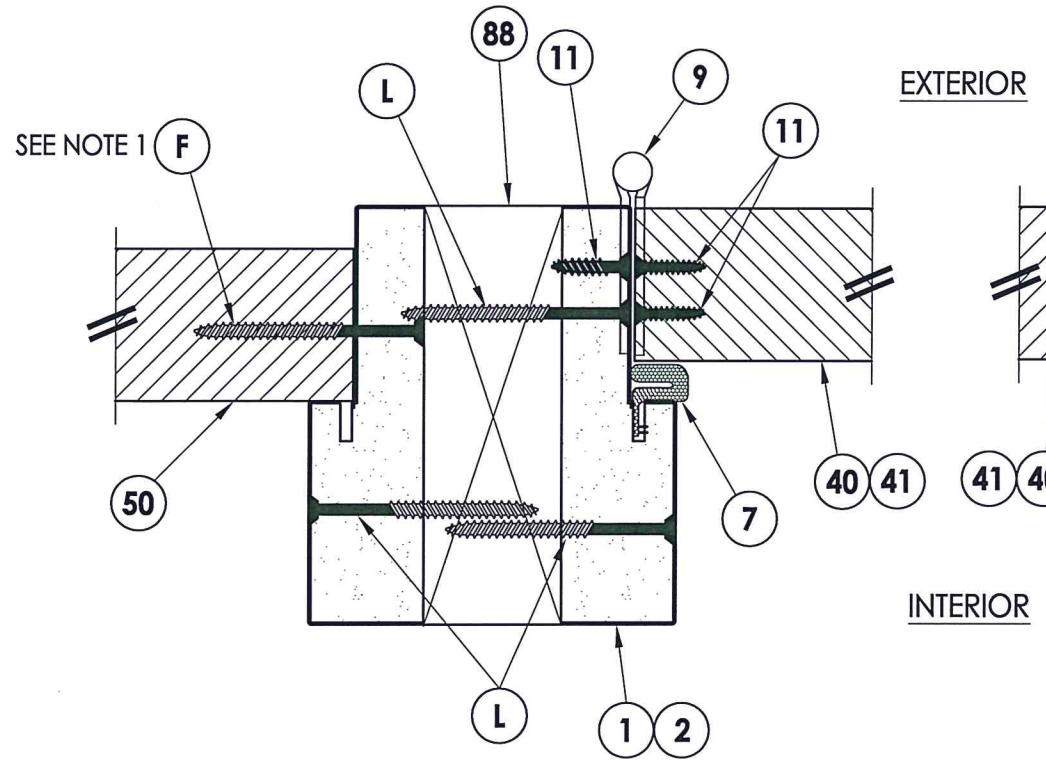
DATE: 11/29/12
 SCALE: N.T.S.
 DWG. BY: JK
 CHK. BY: LFS
 DRAWING NO.: TX-4285
 SHEET 6 OF 12



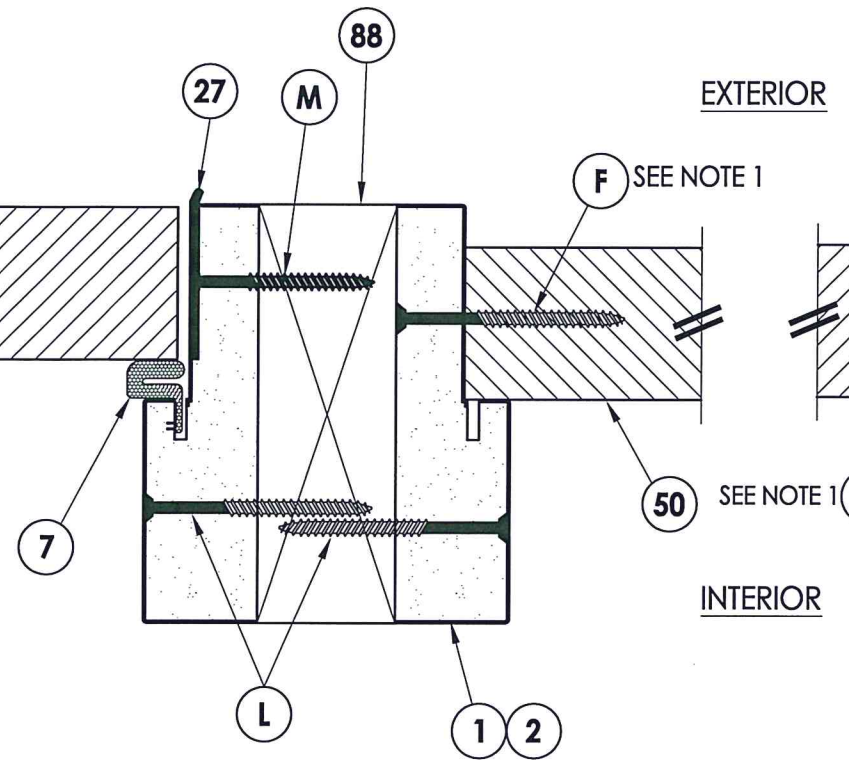
1 HORIZONTAL CROSS SECTION
7 Outswing shown - Inswing also approved



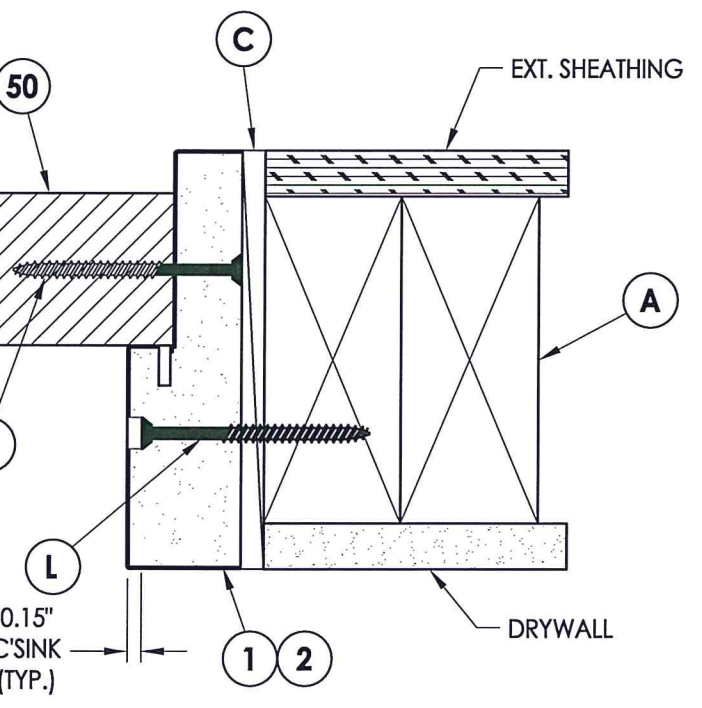
2 HORIZONTAL CROSS SECTION
7 Outswing shown - Inswing also approved



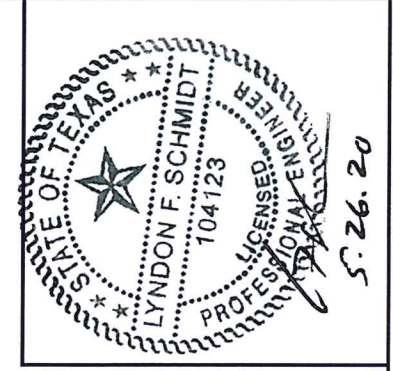
3 HORIZONTAL CROSS SECTION
7 Outswing shown - Inswing also approved



4 HORIZONTAL CROSS SECTION
7 Outswing shown - Inswing also approved



5 HORIZONTAL CROSS SECTION
7 Outswing shown - Inswing also approved



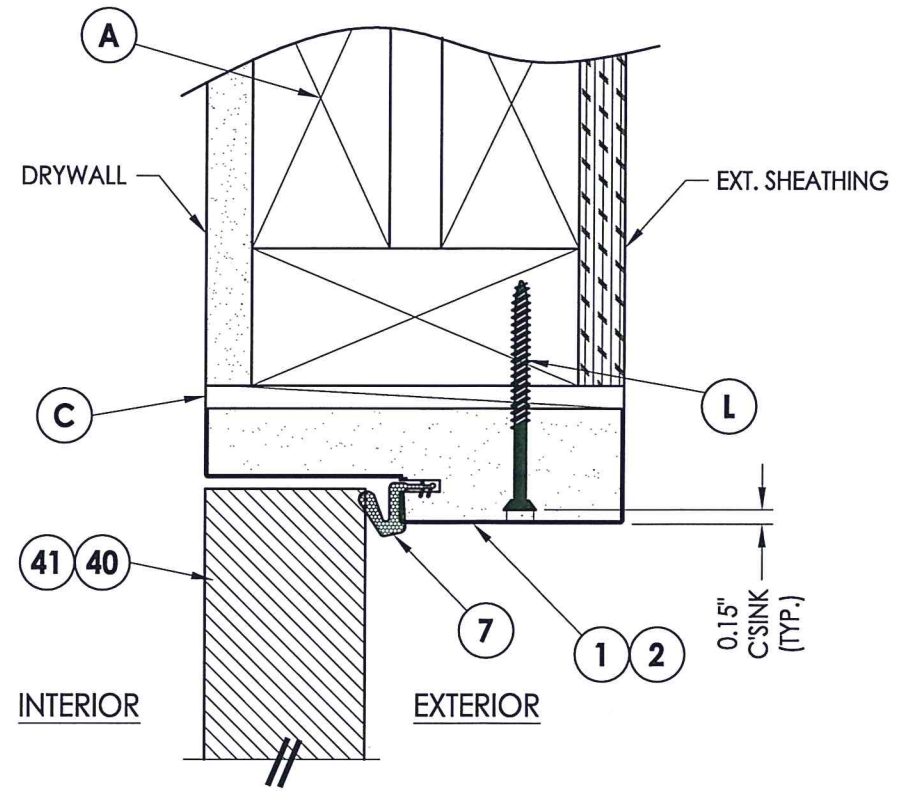
NOTE:
1. Spacing for item F: 6" from ends and 9 more equally spaced along sidelite (11 total).

Documents Prepared By: Lyndon F. Schmidt, P.E.
TEXAS P.E. #104123
RW BUILDING CONSULTANTS, INC.
P.O. Box 230 Valrico FL, 33595
Phone No.: 813.659.9197
TEXAS BOARD OF PROFESSIONAL ENGINEERS
CERTIFICATE OF REGISTRATION # F-11852

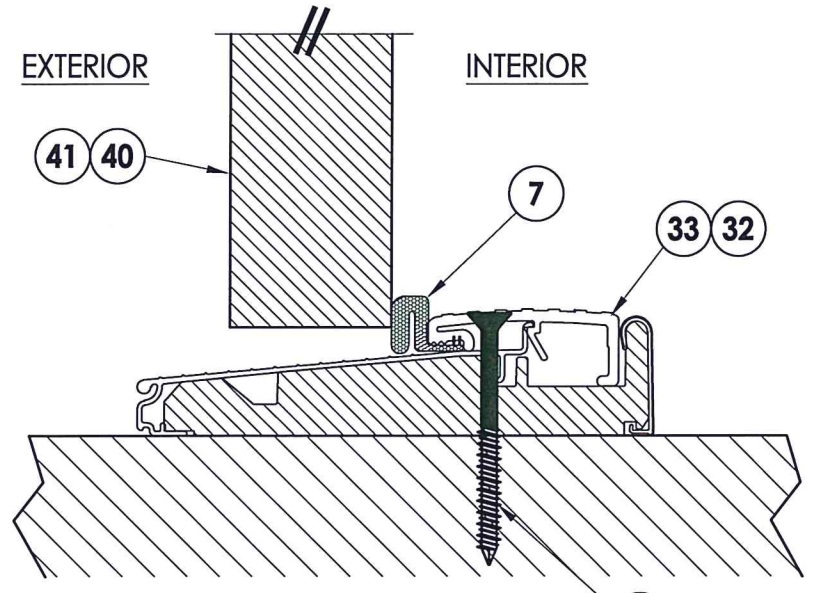
PRODUCT: PLASTPRO INC. FIBERGLASS DOOR
PART OR ASSEMBLY: HORIZONTAL CROSS SECTIONS

NO.	DATE	REVISIONS
2	5/26/20	UPDATE TO 2018 IBC/IRC CODE
1	4/27/16	ADDED TRIM/LITE FRAME

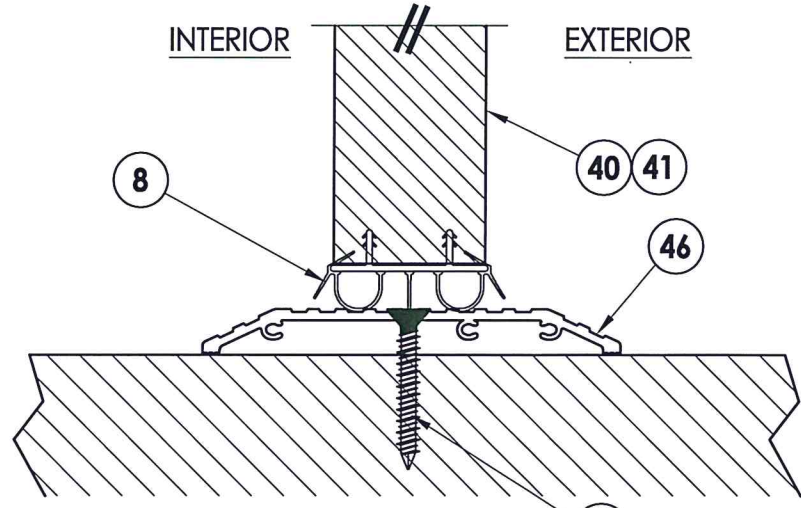
DATE: 11/29/12
SCALE: N.T.S.
DWG. BY: JK
CHK. BY: LFS
DRAWING NO.: TX-4285
SHEET 7 OF 12



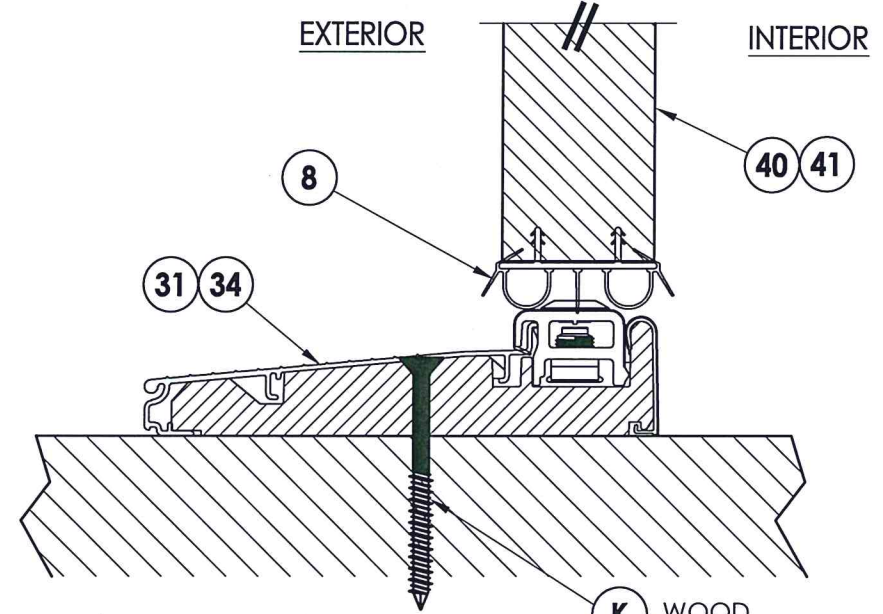
1 VERTICAL CROSS SECTION
8 Inswing shown - Outswing also approved



2 VERTICAL CROSS SECTION
8 Outswing configuration
K WOOD
D CONCRETE
 SEE NOTE 1



4 VERTICAL CROSS SECTION
8 Shown w/ ADA threshold
K WOOD
D CONCRETE
 SEE NOTE 1



3 VERTICAL CROSS SECTION
8 Inswing configuration
K WOOD
D CONCRETE
 SEE NOTE 1

NOTE:
 1. Sill anchor not required for single (X) units.

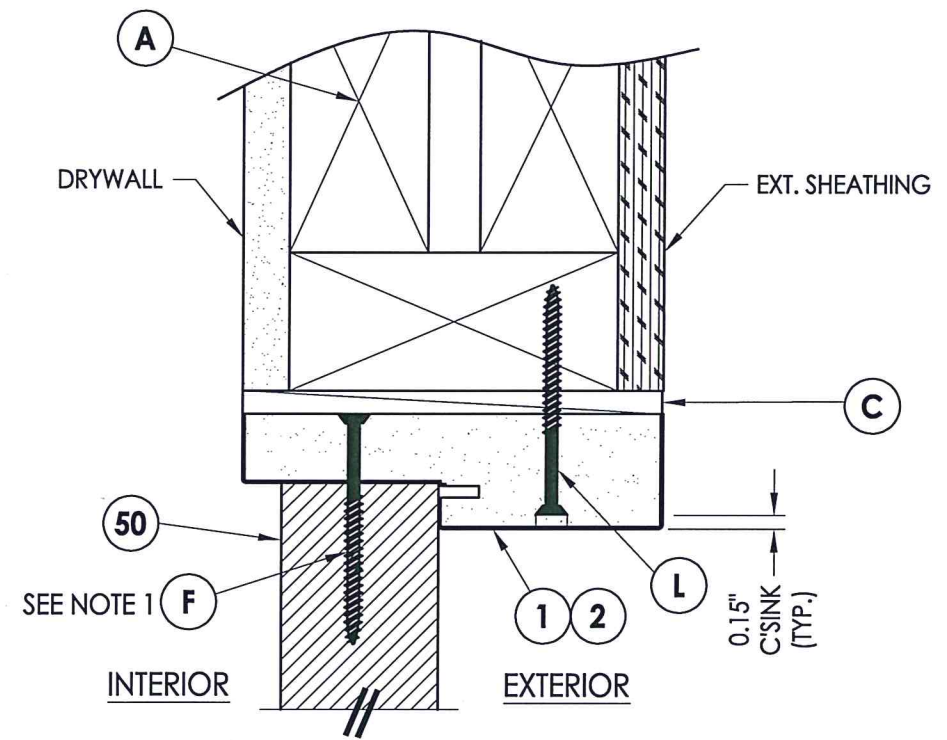


Documents Prepared By: Lyndon F. Schmidt, P.E.
 TEXAS P.E. #104123
RW BUILDING CONSULTANTS, INC.
 P.O. Box 230 Valrico FL, 33595
 Phone No.: 813.659.9197
 TEXAS BOARD OF PROFESSIONAL ENGINEERS
 CERTIFICATE OF REGISTRATION # F-11852

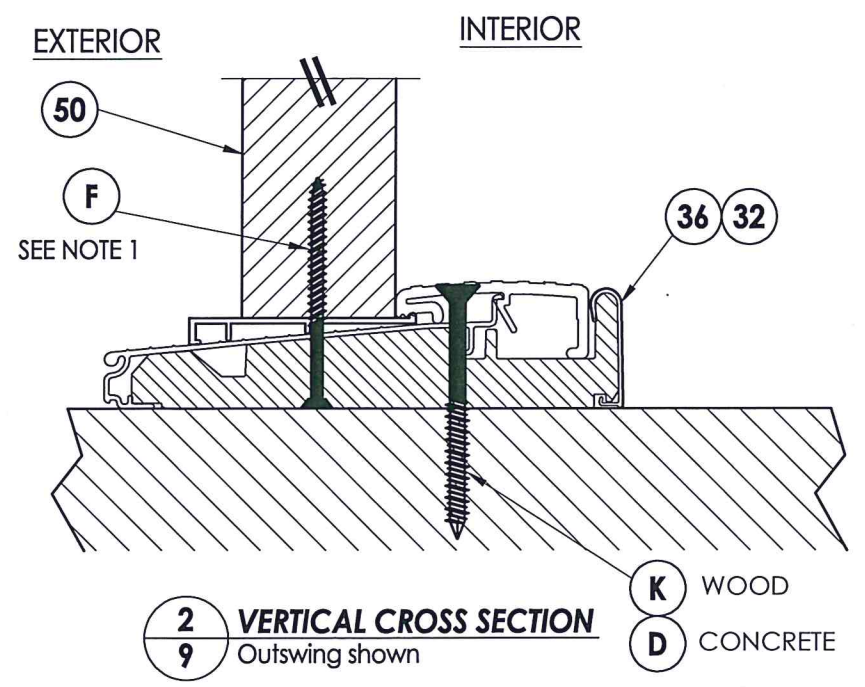
PRODUCT:	PLASTPRO INC. FIBERGLASS DOOR	
PART OR ASSEMBLY:	VERTICAL CROSS SECTIONS	
DATE:	11/29/12	
SCALE:	N.T.S.	
DWG. BY:	JK	
CHK. BY:	LFS	
DRAWING NO.:	TX-4285	
SHEET	8 of 12	
NO.	DATE	BY
2	5/26/20	LFS
1	4/27/16	LFS
REVISIONS		

R:\Clients\Plastpro, Inc PERMANENT\B - TD\TDI - DR 627 Opaque Fiberglass (Non-Impact)\C - Drawings\TX-4285-86.dwg, 9.3

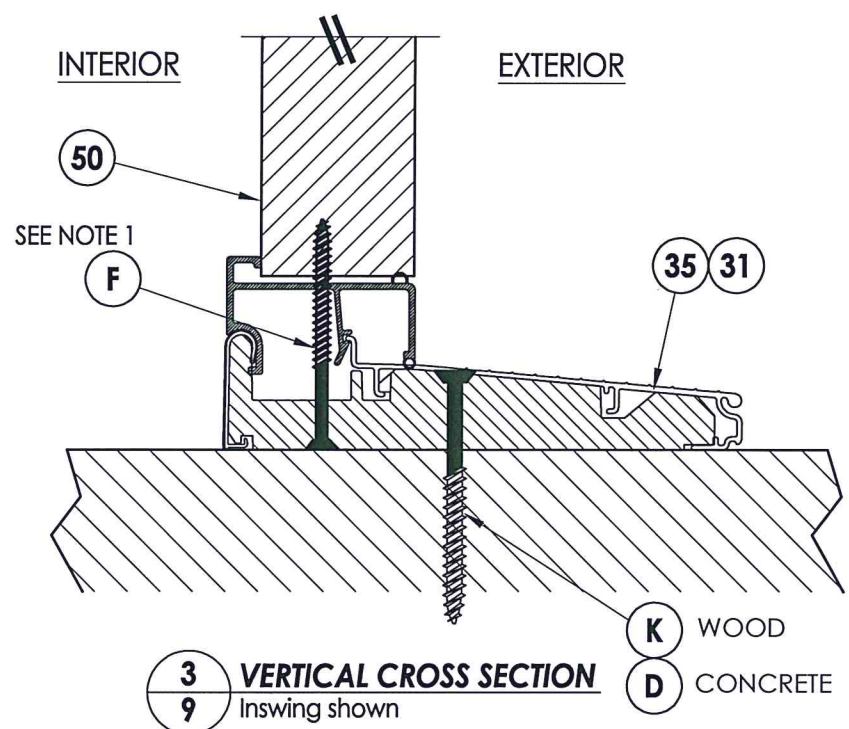
NOTE:
1. Spacing for item F: 3" from each end.



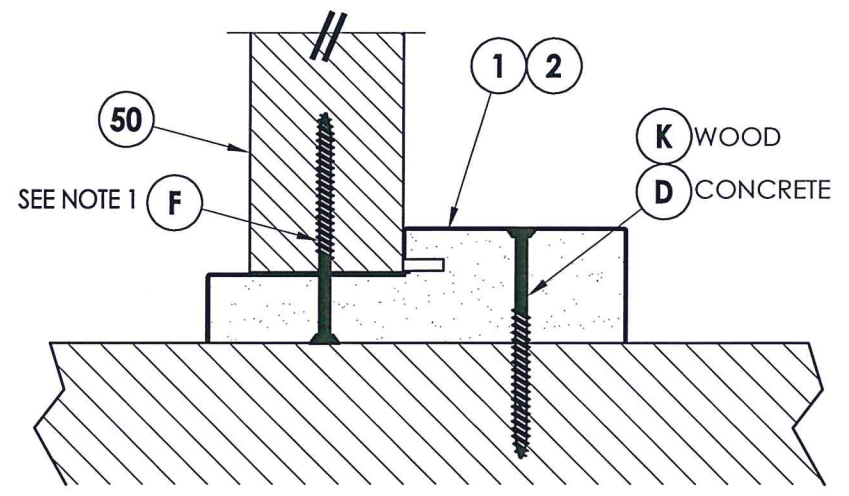
1 VERTICAL CROSS SECTION
9 Inswing shown - Outswing also approved



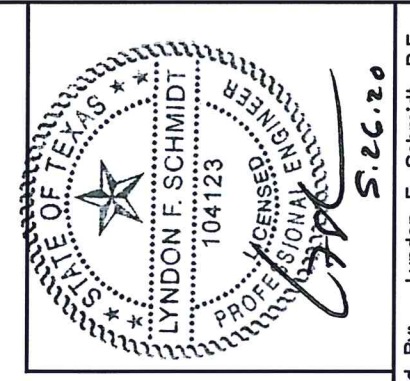
2 VERTICAL CROSS SECTION
9 Outswing shown
K WOOD
D CONCRETE



3 VERTICAL CROSS SECTION
9 Inswing shown
K WOOD
D CONCRETE



4 VERTICAL CROSS SECTION
9



Documents Prepared By: Lyndon F. Schmidt, P.E.
TEXAS P.E. #104123

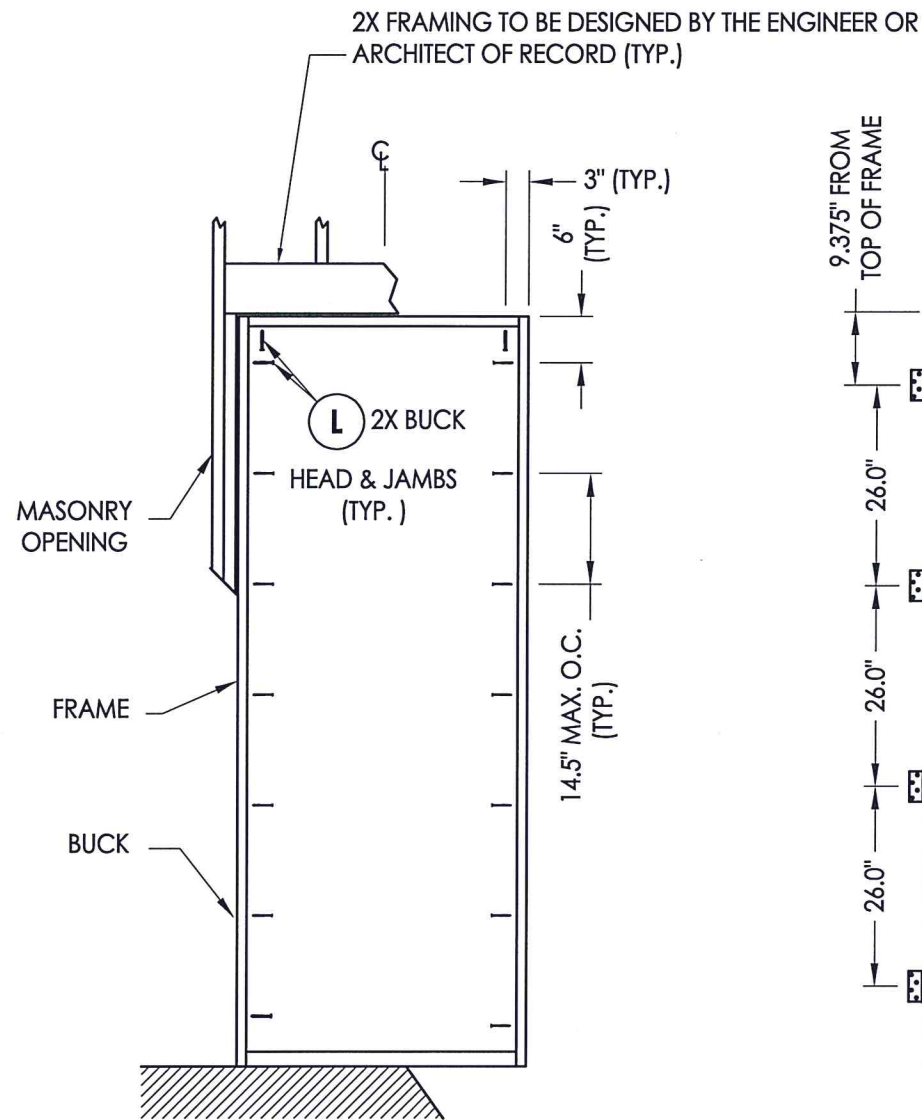
RW BUILDING CONSULTANTS, INC.
P.O. Box 230 Valrico FL, 33595
Phone No.: 813.659.9197
TEXAS BOARD OF PROFESSIONAL ENGINEERS
CERTIFICATE OF REGISTRATION # F-11852

PRODUCT: PLASTPRO INC. FIBERGLASS DOOR
PART OR ASSEMBLY: VERTICAL CROSS SECTIONS

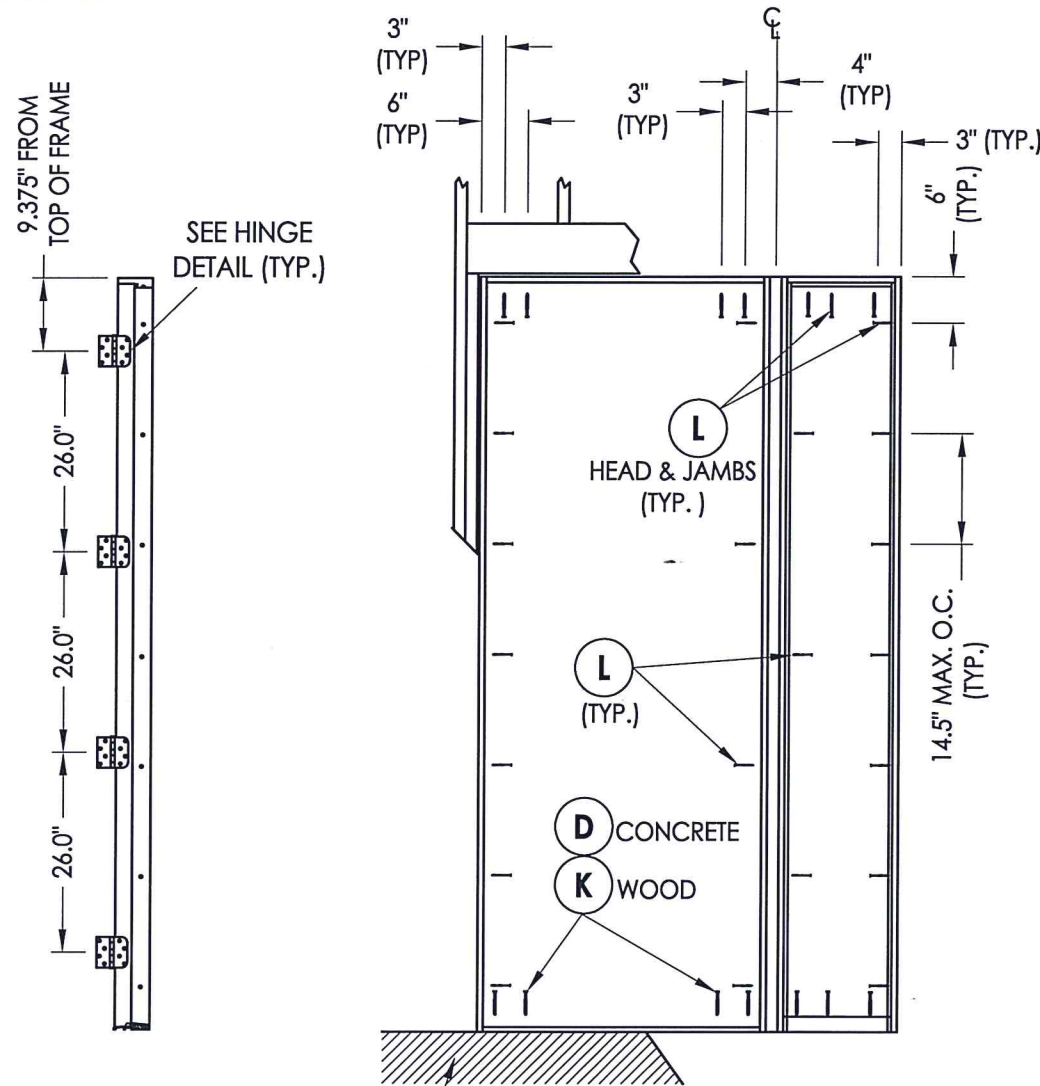
NO.	DATE	REVISIONS
2	5/26/20	UPDATE TO 2018 IBC/IRC CODE
1	4/27/16	ADDED TRIMLITE LITE FRAME
		LFS
		BY

DATE: 11/29/12
SCALE: N.T.S.
DWG. BY: JK
CHK. BY: LFS
DRAWING NO.: TX-4285
SHEET 9 OF 12

© 2012 R.W. BUILDING CONSULTANTS INC.



FRAME ANCHORING
(X)

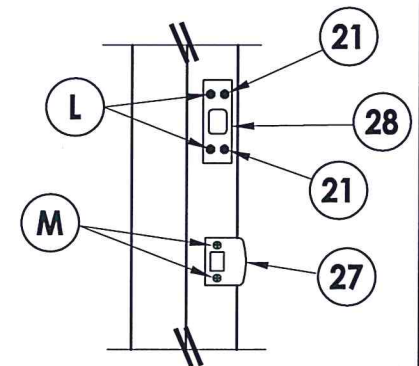
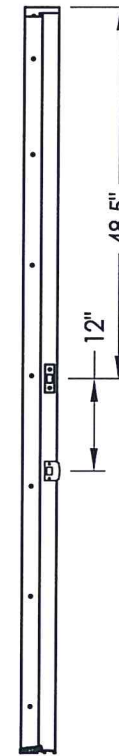


HINGE JAMB

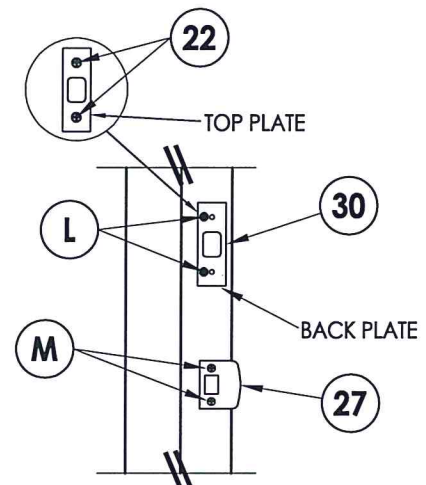
FLOOR SUBSTRATE MATERIAL (TYP.)
CONCRETE (MIN. 3000 PSI)
WOOD (S.G. >= 0.42)

FRAME ANCHORING
OX

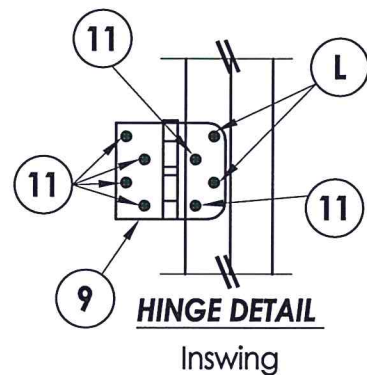
STRIKE JAMB



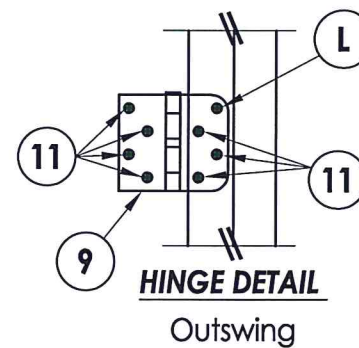
STRIKE DETAIL
Kwikset Signature Series
w/ 780 Deadbolt



STRIKE DETAIL
Schlage F Series Latch &
B Series Deadbolt



HINGE DETAIL
Inswing



HINGE DETAIL
Outswing

CONCRETE ANCHOR NOTES:

1. Concrete anchor locations at the corners may be adjusted to maintain the min. edge distance to mortar joints.
2. Concrete anchor locations noted as "MAX. ON CENTER" must be adjusted to maintain the min. edge distance to mortar joints, additional concrete anchors may be required to ensure the "MAX. ON CENTER" dimension are not exceeded.
3. Concrete anchor table:

ANCHOR TYPE	ANCHOR SIZE	MIN. EMBEDMENT	MIN. CLEARANCE TO MASONRY EDGE	MIN. CLEARANCE TO ADJACENT ANCHOR
ITW TAPCON®	1/4"	1-3/4"	2-1/2"	3"
ELCO ULTRACON®	1/4"	1-3/4"	1"	3"



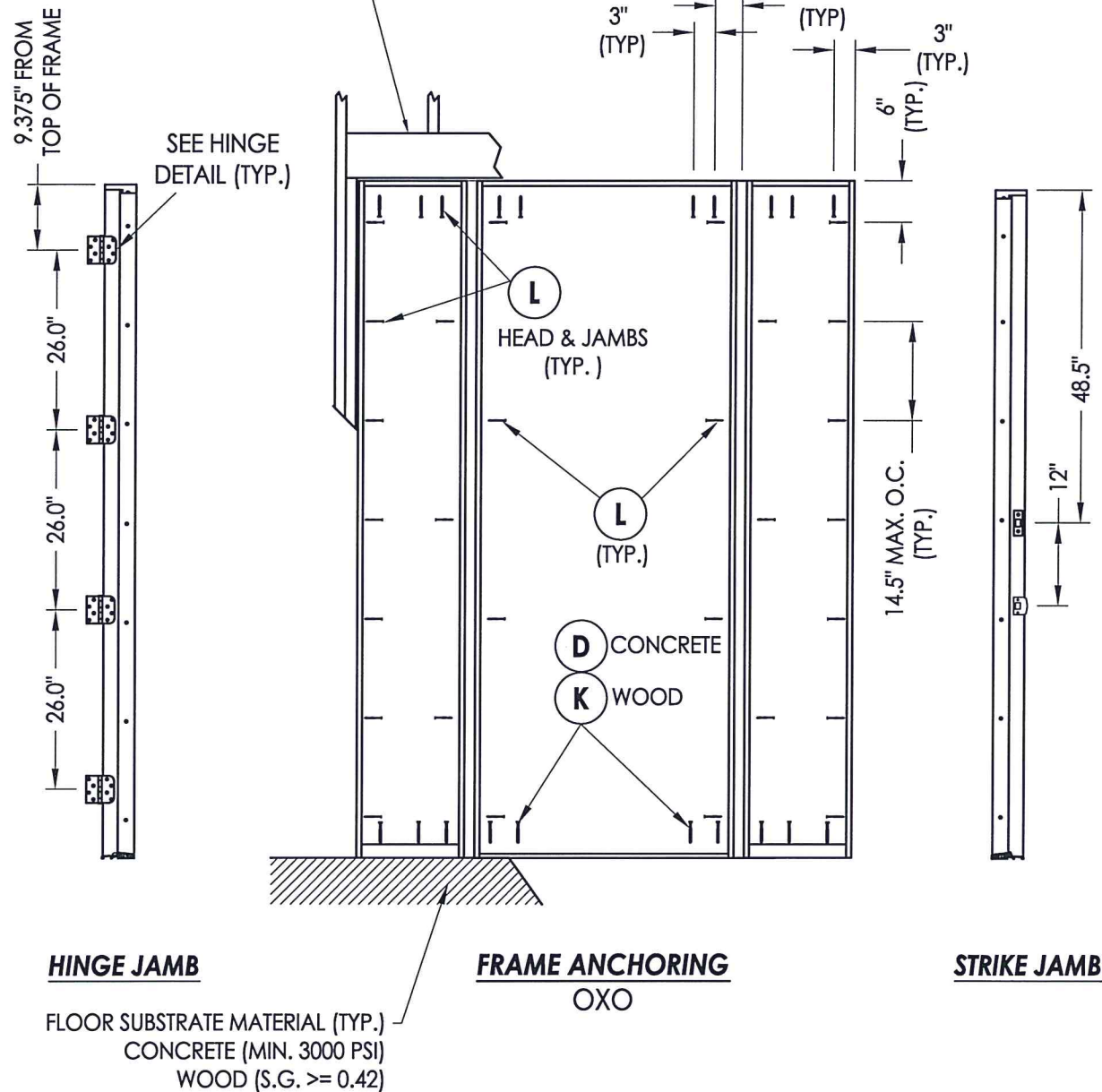
Documents Prepared By: Lyndon F. Schmidt, P.E.
TEXAS P.E. #104123

RW BUILDING CONSULTANTS, INC.
P.O. Box 230 Valrico FL 33595
Phone No.: 813.659.9197
TEXAS BOARD OF PROFESSIONAL ENGINEERS
CERTIFICATE OF REGISTRATION # F-11652

PRODUCT:	PLASTPRO FIBERGLASS DOOR	
PART OR ASSEMBLY:	FRAME ANCHORING	
NO.	DATE	BY
2	5/26/20	LFS
1	4/27/16	LFS
REVISIONS		

DATE: 11/29/12
SCALE: N.T.S.
DWG. BY: JK
CHK. BY: LFS
DRAWING NO.: TX-4285
SHEET 10 OF 12

2X FRAMING TO BE DESIGNED BY THE ENGINEER OR ARCHITECT OF RECORD



HINGE JAMB

**FRAME ANCHORING
OXO**

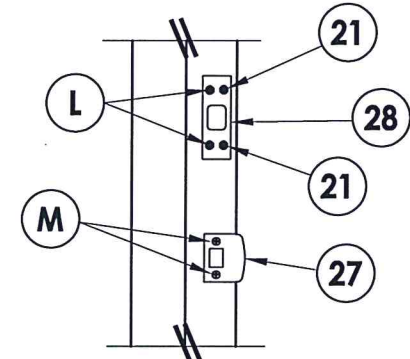
STRIKE JAMB

FLOOR SUBSTRATE MATERIAL (TYP.)
CONCRETE (MIN. 3000 PSI)
WOOD (S.G. >= 0.42)

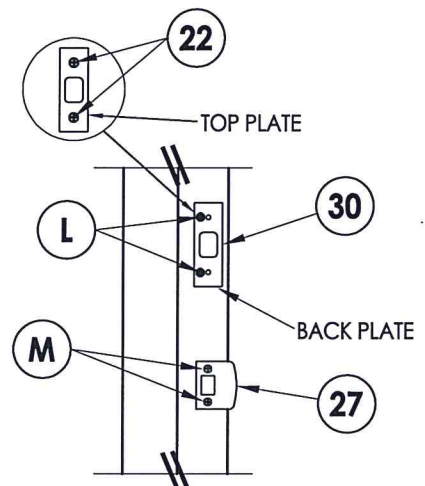


Documents Prepared By: Lyndon F. Schmidt, P.E.
TEXAS P.E. #104123

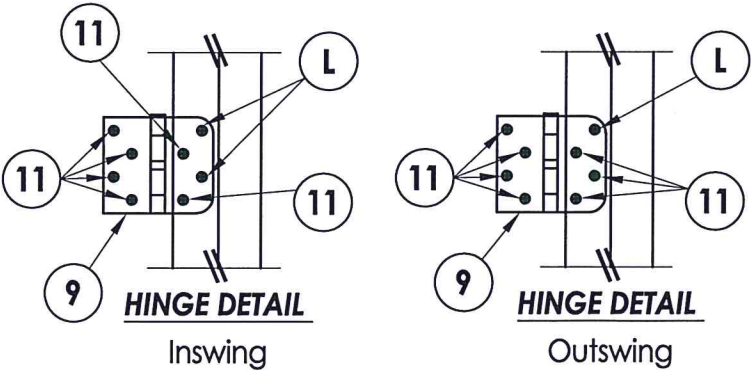
RW BUILDING CONSULTANTS, INC.
P.O. Box 230 Valrico FL 33595
Phone No.: 813.659.9197
TEXAS BOARD OF PROFESSIONAL ENGINEERS
CERTIFICATE OF REGISTRATION # F-11852



STRIKE DETAIL
Kwikset Signature Series
w/ 780 Deadbolt



STRIKE DETAIL
Schlage F Series Latch &
B Series Deadbolt



HINGE DETAIL
Inswing

HINGE DETAIL
Outswing

CONCRETE ANCHOR NOTES:

1. Concrete anchor locations at the corners may be adjusted to maintain the min. edge distance to mortar joints.
2. Concrete anchor locations noted as "MAX. ON CENTER" must be adjusted to maintain the min. edge distance to mortar joints, additional concrete anchors may be required to ensure the "MAX. ON CENTER" dimension are not exceeded.
3. Concrete anchor table:

ANCHOR TYPE	ANCHOR SIZE	MIN. EMBEDMENT	MIN. CLEARANCE TO MASONRY EDGE	MIN. CLEARANCE TO ADJACENT ANCHOR
ITW TAPCON®	1/4"	1-3/4"	2-1/2"	3"
ELCO ULTRACON®	1/4"	1-3/4"	1"	3"

PRODUCT: PLASTPRO FIBERGLASS DOOR

PART OR ASSEMBLY: FRAME ANCHORING

NO.	DATE	REVISIONS
2	5/26/20	UPDATE TO 2018 IBC/IRC CODE
1	4/27/16	ADDED TRIMLITE LITE FRAME

DATE: 11/29/12

SCALE: N.T.S.

DWG. BY: JK

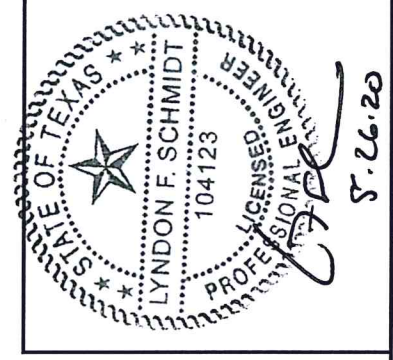
CHK. BY: LFS

DRAWING NO.: TX-4285

SHEET 11 OF 12

BILL OF MATERIALS

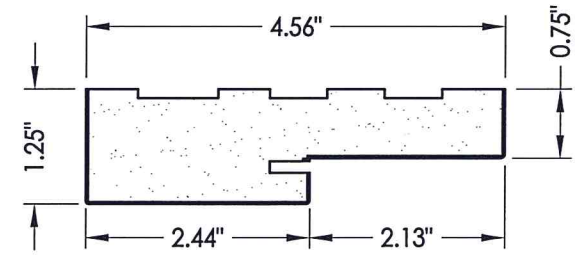
ITEM #	DESCRIPTION	MATERIAL
A	2X FRAMING (G >= 0.42)	WOOD
C	1/4" MAX. SHIM SPACE	-
D	1/4" ELCO OR ITW CONCRETE SCREW (1-3/4" MIN. EMBEDMENT)	STEEL
F	#9 X 2-1/2" PFH WOOD SCREW	STEEL
K	#10 X 3" PFH WOOD SCREW (1-1/2" MIN. EMBEDMENT)	STEEL
L	#10 X 2-1/2" PFH WOOD SCREW (1.15" MIN. EMBEDMENT)	STEEL
M	#8 X 2" PFH WOOD SCREW	STEEL
1	POLY FIBER JAMB	POLY FIBER
2	FINGER JOINTED PINE JAMB	WOOD
7	WEATHERSTRIP	FOAM
8	DOOR BOTTOM SWEEP	VINYL
9	4" X 4" BUTT HINGE	STEEL
11	#9 X 3/4" PFH WOOD SCREW	STEEL
21	#8 X 5/8" PFH WOOD SCREW	STEEL
22	10-32 X 3/8" PFH MACHINE SCREW	STEEL
27	LATCH STRIKE PLATE	STEEL
28	DEADBOLT STRIKE PLATE (Kwikset Signature Series)	STEEL
30	DEADBOLT STRIKE PLATE (Schlage B Series)	STEEL
31	INSWING ADJUSTABLE THRESHOLD	ALUM / WOOD
32	OUTSWING THRESHOLD	ALUM / WOOD
33	OUTSWING THRESHOLD	ALUM / COMP
34	INSWING ADJUSTABLE THRESHOLD	ALUM / COMP
35	INSWING ADJUSTABLE THRESHOLD w/ SIDELITE ADAPTER	ALUM / COMP
36	OUTSWING THRESHOLD w/ SIDELITE ADAPTER	ALUM / COMP
40	DOOR PANEL - SEE DOOR PANEL DETAIL SHEET FOR CONSTRUCTION DETAILS	-
41	DOOR PANEL - SEE DOOR PANEL DETAIL SHEET FOR CONSTRUCTION DETAILS	-
46	ADA THRESHOLD	ALUM
50	SIDELITE PANEL - SEE SIDELITE PANEL DETAIL SHEET FOR CONSTRUCTION DETAILS	-
88	2X REINFORCEMENT (G >= 0.55)	WOOD



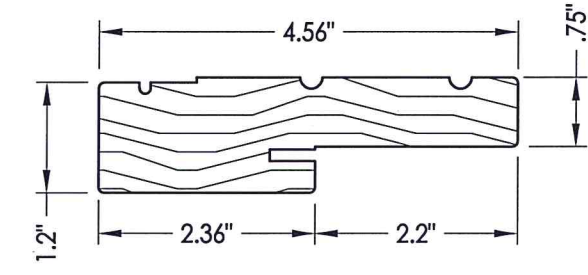
Documents Prepared By: Lyndon F. Schmidt, P.E.
TEXAS P.E. #104123

RW BUILDING CONSULTANTS, INC.
P.O. Box 230 Vairico FL 33595
Phone No.: 813.659.9197

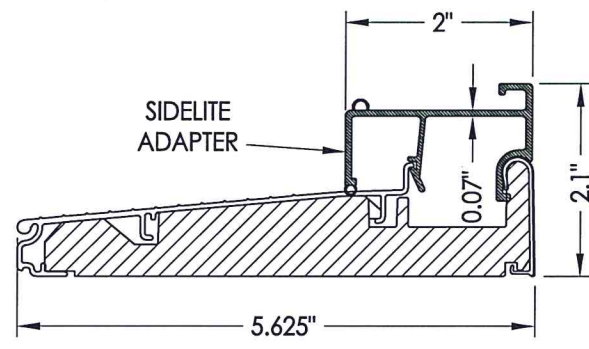
TEXAS BOARD OF PROFESSIONAL ENGINEERS
CERTIFICATE OF REGISTRATION # F-11852



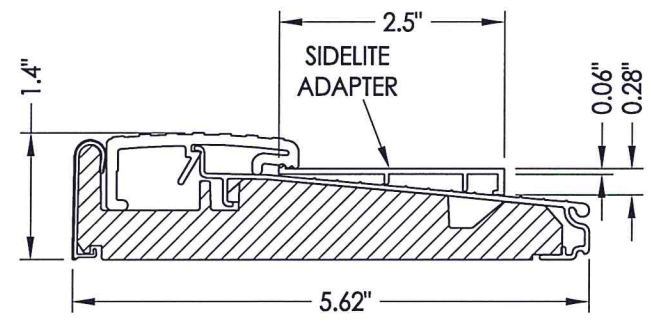
1 HEAD & SIDE
Poly fiber jamb



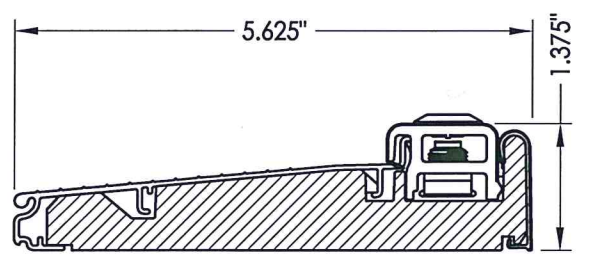
2 WOOD JAMB



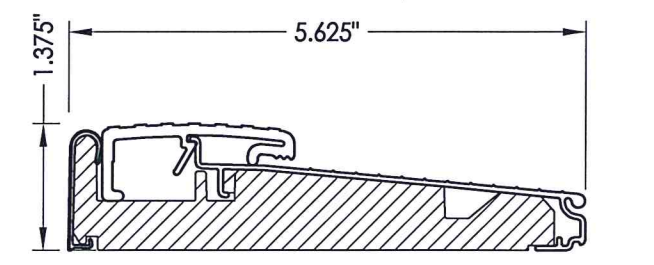
35 INSWING THRESHOLD w/ SIDELITE ADAPTER
Endura (Z-Series)



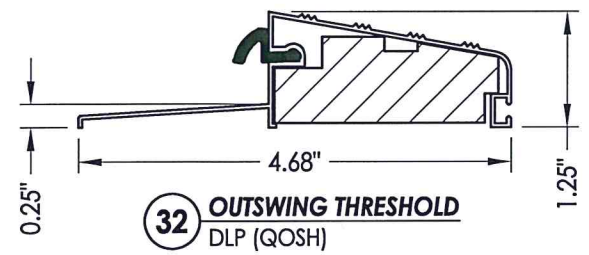
36 OUTSWING THRESHOLD w/ SIDELITE ADAPTER
Endura (Z-Series)



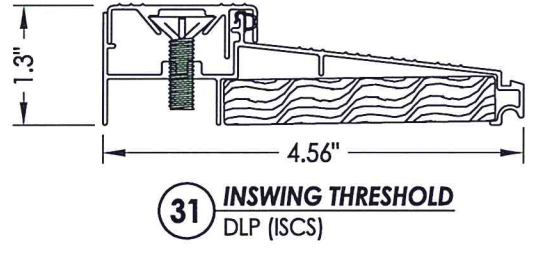
34 ADJUSTABLE INSWING THRESHOLD
Endura (Z-Series)



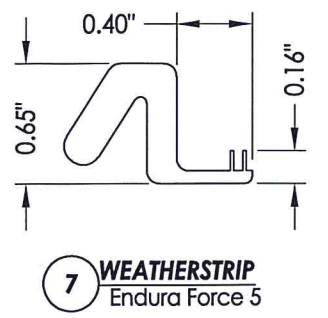
33 OUTSWING THRESHOLD
Endura (Z-Series)



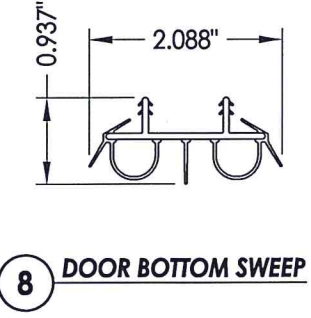
32 OUTSWING THRESHOLD
DLP (QOSH)



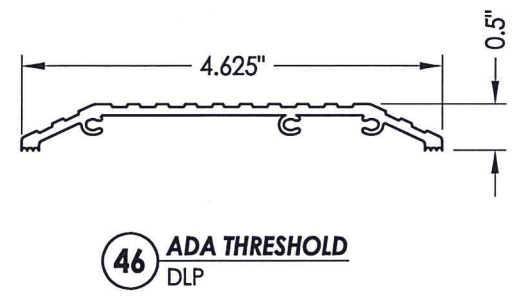
31 INSWING THRESHOLD
DLP (ISCS)



7 WEATHERSTRIP
Endura Force 5



8 DOOR BOTTOM SWEEP



46 ADA THRESHOLD
DLP

PRODUCT: PLASTPRO INC. FIBERGLASS DOOR

PART OR ASSEMBLY: BILL OF MATERIALS AND COMPONENTS

NO.	DATE	BY	REVISIONS
2	5/26/20	LFS	UPDATE TO 2018 IBC/IRC CODE
1	4/27/16	LFS	ADDED TRIMLITE LITE FRAME

DATE: 11/29/12
SCALE: N.T.S.
DWG. BY: JK
CHK. BY: LFS
DRAWING NO.: TX-4285
SHEET 12 OF 12