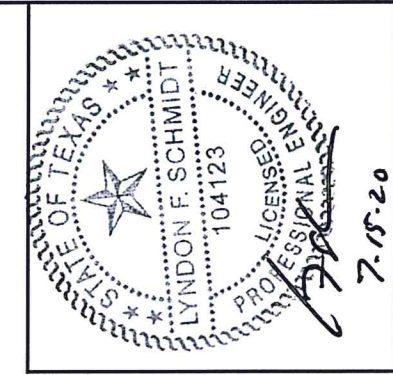


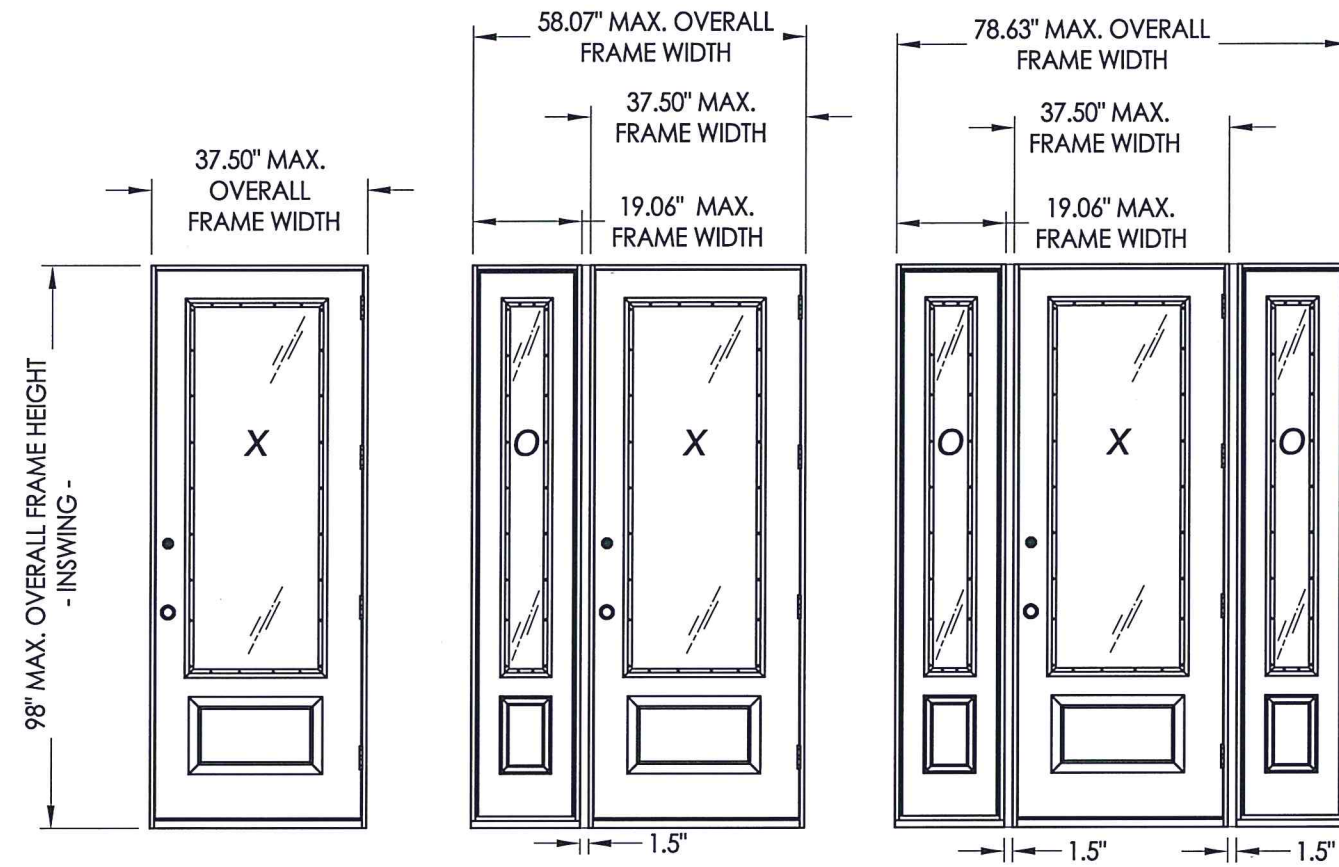


AMERICA'S DOORMAKER  
631 N. FIRST ST. WEST BRANCH, MI 48661



Documents Prepared By: Lyndon F. Schmidt, P.E.  
TEXAS P.E. #104123  
**RW** BUILDING CONSULTANTS, INC.  
P.O. Box 230 Valrico FL 33595  
Phone No.: 813.659.9197  
TEXAS BOARD OF PROFESSIONAL ENGINEERS  
CERTIFICATE OF REGISTRATION # F-11852

# TIMBERLINE DELUXE GLAZED FIBERGLASS SINGLE DOOR w/ or w/o SIDELITES IN SWING "NON-IMPACT"



**EVALUATED FOR USE IN THE STATE OF TEXAS**

The Fiberglass Door system described herein complies with the 2018 International Residential Code (IRC), Sections R301 & R609 and the 2018 International Building Code (IBC), Sections 1404.13, 1609, 1709.5, 2403 and 2404 subject to the following conditions:

1. Anchors shall be as listed and spaced as shown in the details. Anchor embedment to base material shall be beyond wall dressing or stucco.
2. When used in areas requiring wind-borne debris protection this product is required to be protected with an impact resistant covering that complies with Section R301.2.1.2 of the IRC and Section 1609.1.2 of the IBC.
3. Allowable design pressure requirements must be equal to or less than the design pressure rating shown in the design pressure chart, sheet 1 of this drawing.
4. Conditions not covered by this drawing are subject to further engineering analysis.

**TABLE OF CONTENTS**

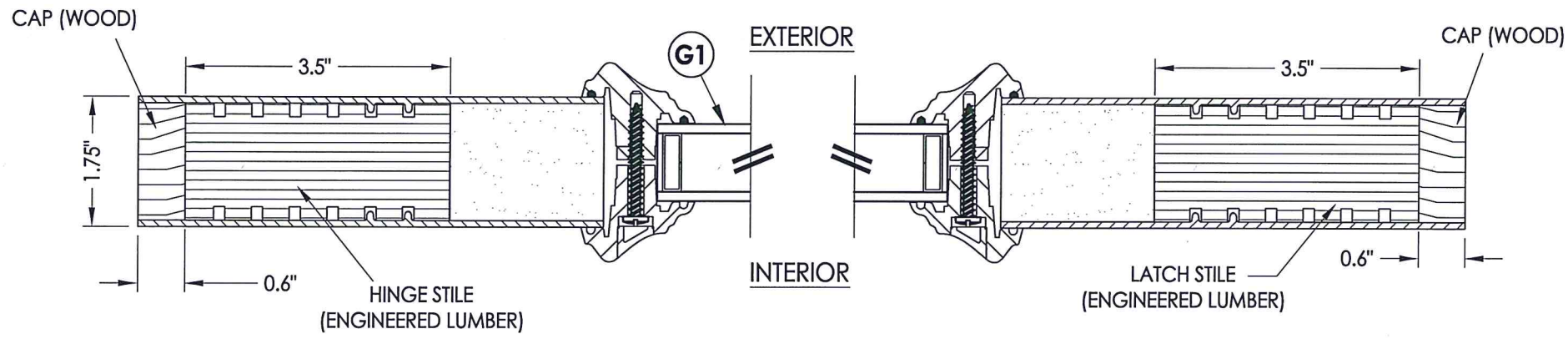
SHEET#	DESCRIPTION
1	Typical elevations, design pressures & general notes
2	Door panel details and glazing detail
3	Sidelite panel details and glazing detail
4	Elevations
5	Horizontal cross sections
6	Vertical cross sections
7	Vertical cross sections
8	Frame anchoring
9	Bill of materials and components

CONFIGURATION	MAX. FRAME DIMENSION	MAX. D.L.O. DIMENSION	DESIGN PRESSURE (PSF) INSWING	
			POSITIVE	NEGATIVE
X	37.50" x 98.00"	21.12" x 63.12"	+40.0	-45.0
OX / XO	58.07" x 98.00"	21.12" x 63.12"	+40.0	-45.0
OXO	78.63" x 98.00"	21.12" x 63.12"	+40.0	-45.0

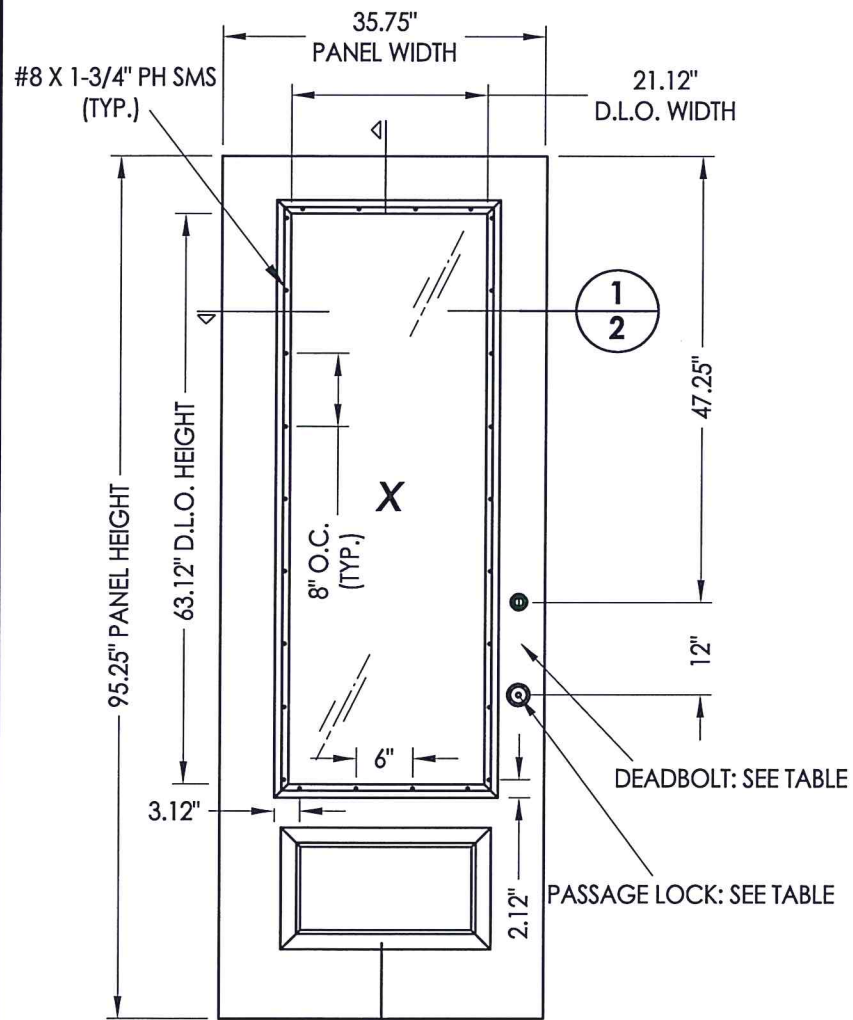
PRODUCT:	TAYLOR FIBERGLASS DOOR
PART OR ASSEMBLY:	TYPICAL ELEVATION, DESIGN PRESSURES & GENERAL NOTES
DATE:	11/26/14
SCALE:	N.T.S.
DWG. BY:	JK
CHK. BY:	LFS
DRAWING NO.:	TX-4520
SHEET	1 OF 9



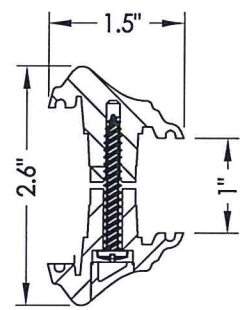
R:\Clients\Taylor Permanent\B - Texas Dept of Ins\TDI - DR 619 618 & 80 GLZ FG Doors Impact\Drawings\2018 IBC Update\TX-4520-21.dwg, 2



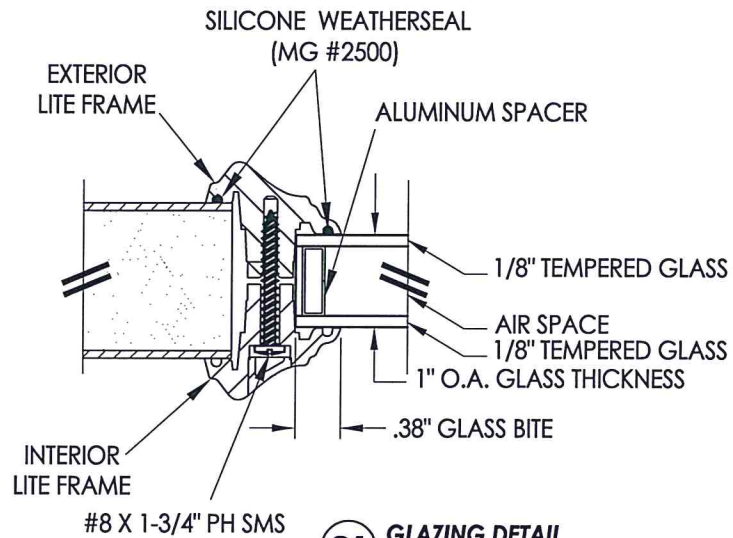
**1**  
**2** HORIZONTAL CROSS SECTION



**40** DOOR PANEL  
Taylor Door  
w/ Mastergrain Fiberglass skins

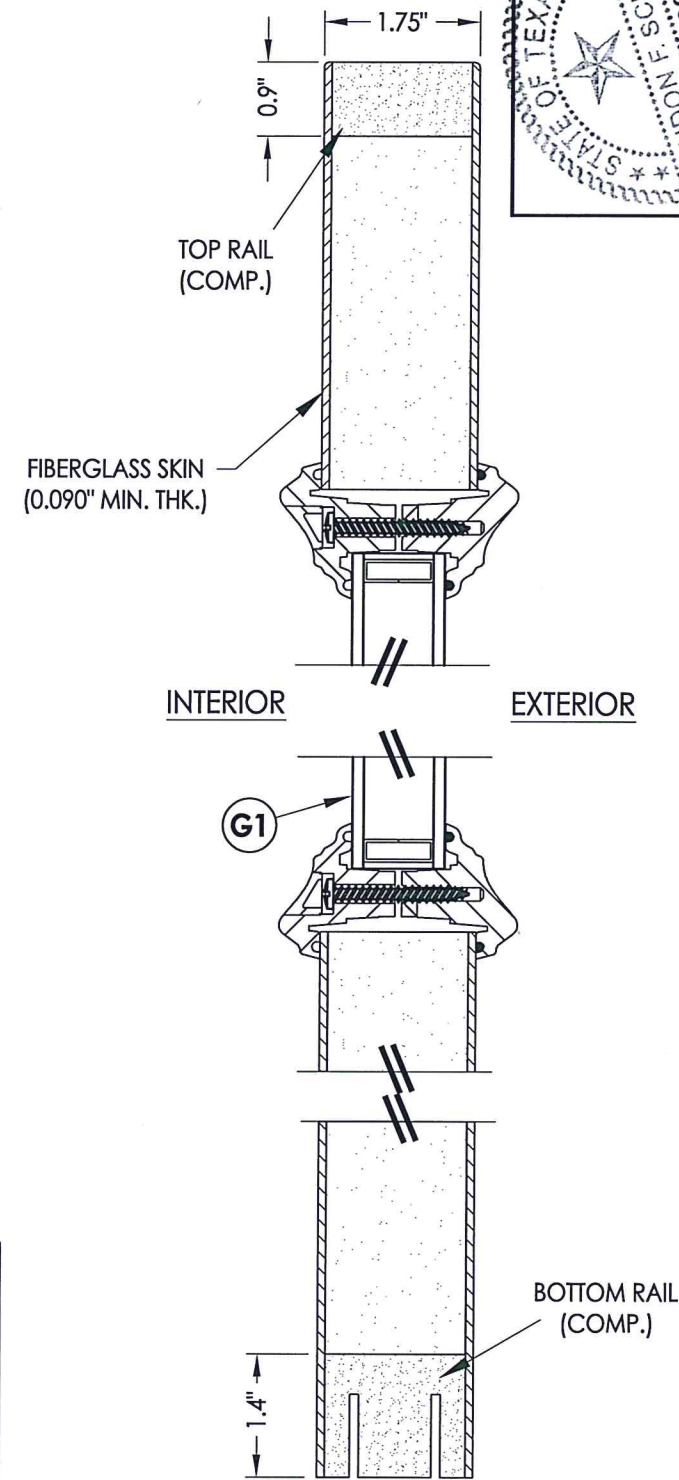


LITE FRAME  
Polypropylene

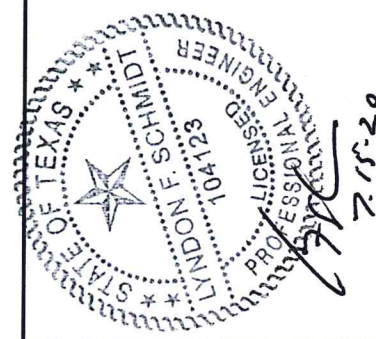


**G1** GLAZING DETAIL

HARDWARE TABLE		
MANUFACTURER	MODEL	
KWIKSET	Knob:	KWIKSET SIGNATURE SERIES
	Deadbolt:	KWIKSET SIGNATURE SERIES (980)
KWIKSET	Knob:	KWIKSET SERIES
	Deadbolt:	KWIKSET SERIES (660)
SCHLAGE	Knob:	"F" SERIES
	Deadbolt:	"B" SERIES
COPPER CREEK	Knob:	E-SERIES
	Deadbolt:	E-SERIES



**2**  
**2** VERTICAL CROSS SECTION



Documents Prepared By: Lyndon F. Schmidt, P.E.  
TEXAS P.E. #104123

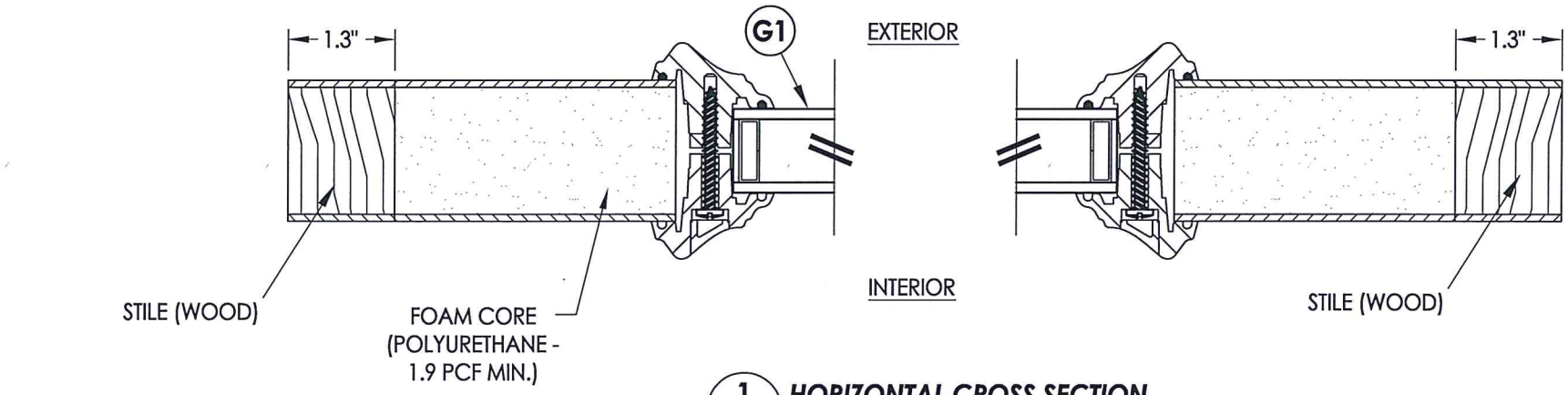
**RW** BUILDING CONSULTANTS, INC.  
P.O. Box 230 Valrico FL 33595  
Phone No.: 813.659.9197

TEXAS BOARD OF PROFESSIONAL ENGINEERS  
CERTIFICATE OF REGISTRATION # F-11852

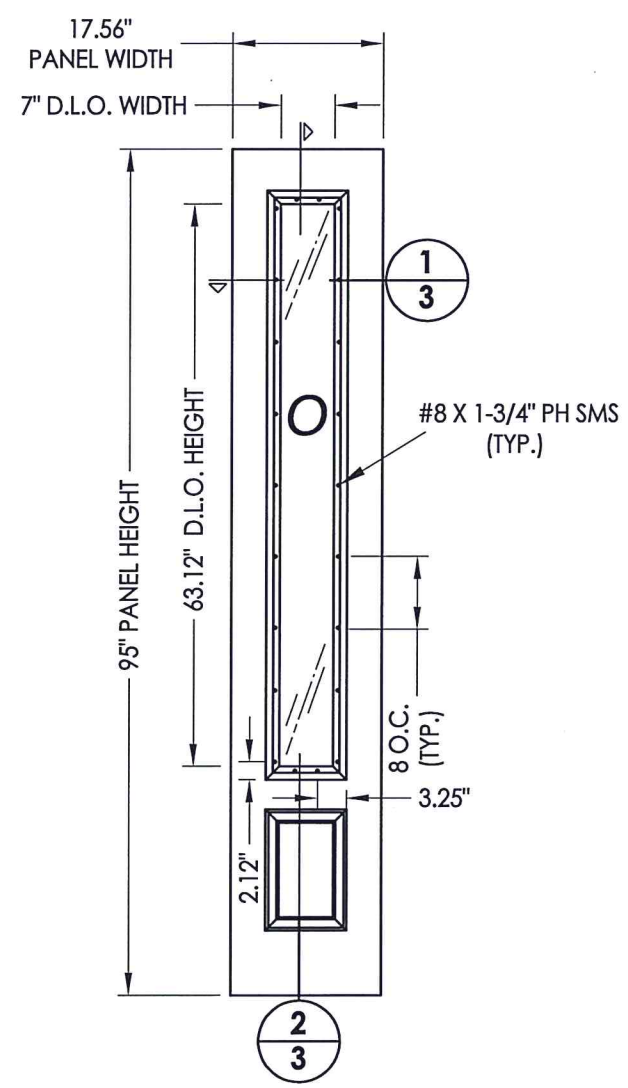
PRODUCT: TAYLOR FIBERGLASS DOOR  
PART OR ASSEMBLY: DOOR PANEL DETAILS AND GLAZING DETAIL

NO.	DATE	REVISIONS
1	7/14/20	UPDATE TO 2018 IBC/IRC CODE
		LFS BY

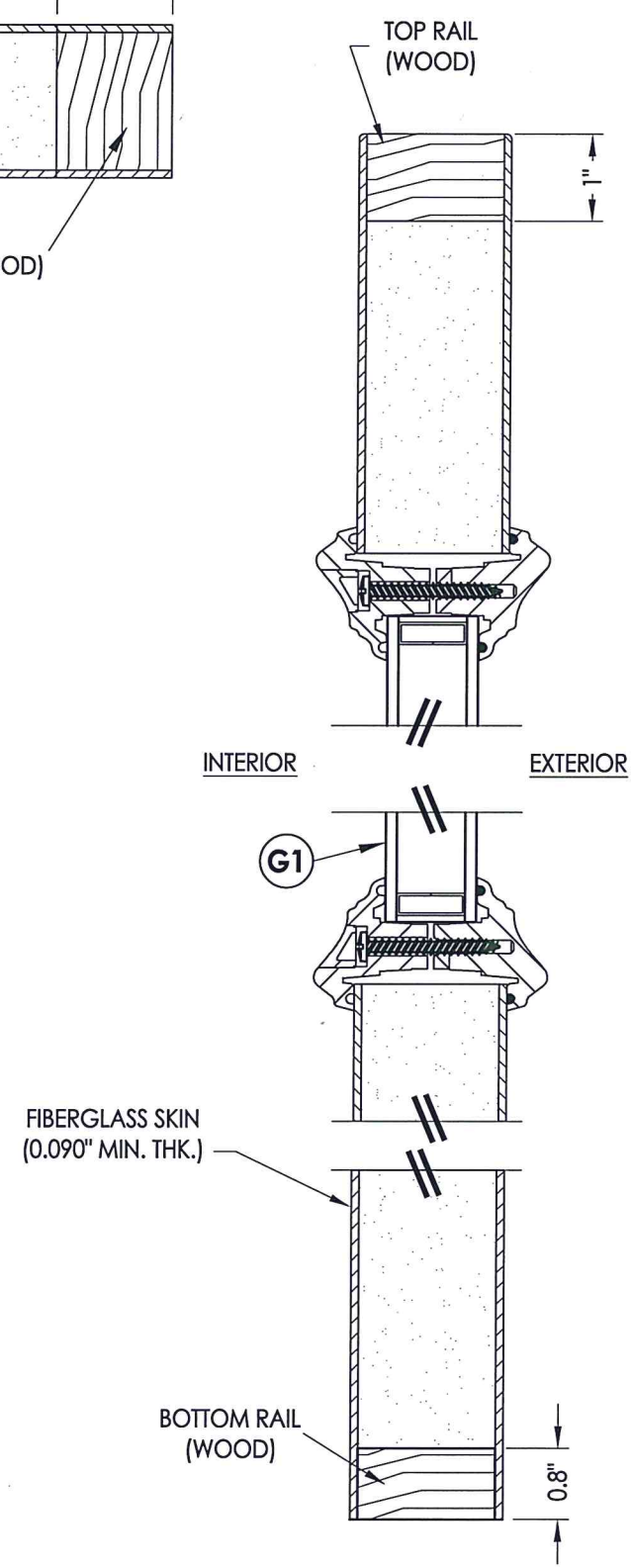
DATE: 11/26/14  
SCALE: N.T.S.  
DWG. BY: JK  
CHK. BY: LFS  
DRAWING NO.: TX-4520  
SHEET 2 OF 9



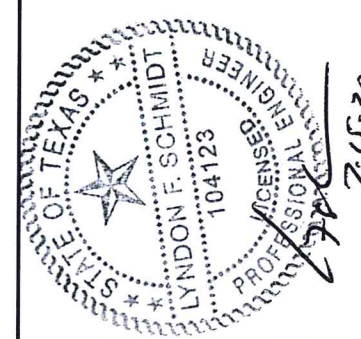
**1**  
**3** **HORIZONTAL CROSS SECTION**



**50** **SIDELITE PANEL**  
Fiberglass



**2**  
**3** **VERTICAL CROSS SECTION**



Documents Prepared By: Lyndon F. Schmidt, P.E.  
TEXAS P.E. #104123

**RW** BUILDING CONSULTANTS, INC.  
P.O. Box 230 Valrico FL 33595  
Phone No.: 813.659.9197

TEXAS BOARD OF PROFESSIONAL ENGINEERS  
CERTIFICATE OF REGISTRATION # F-11852

PRODUCT: TAYLOR FIBERGLASS DOOR

PART OR ASSEMBLY: SIDELITE PANEL DETAILS AND GLAZING DETAIL

NO.	DATE	REVISIONS
1	7/14/20	UPDATE TO 2018 IBC/IRC CODE

DATE: 11/26/14

SCALE: N.T.S.

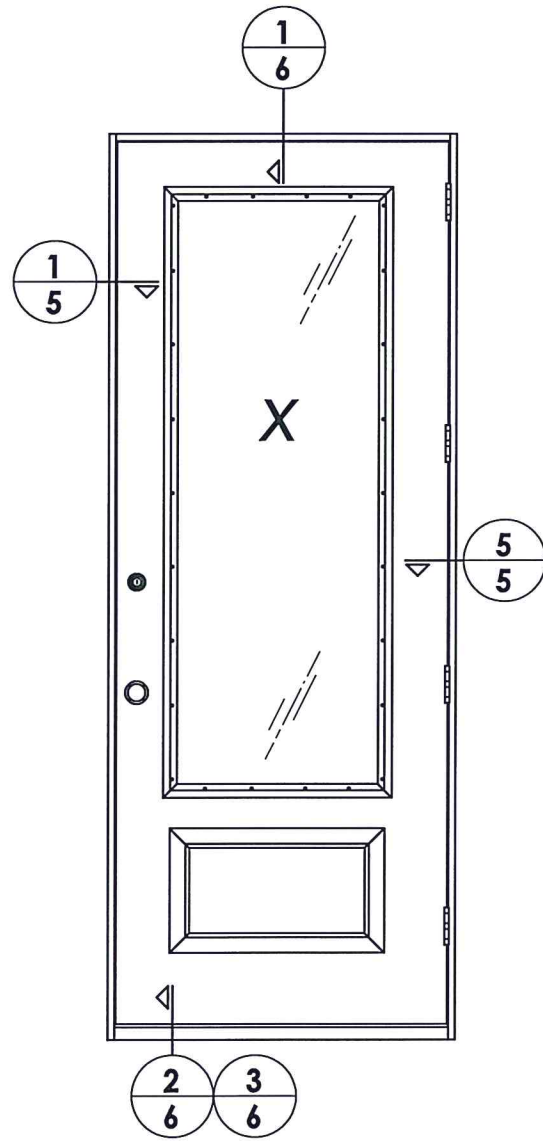
DWG. BY: JK

CHK. BY: LFS

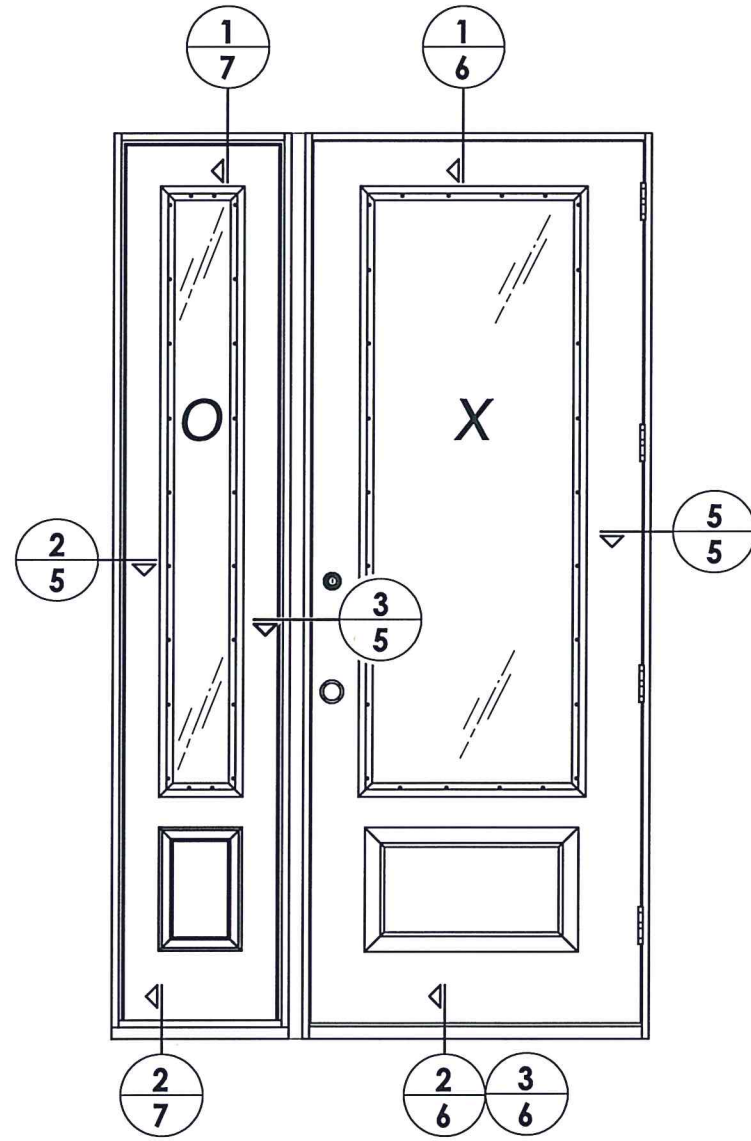
DRAWING NO.: TX-4520

SHEET 3 OF 9

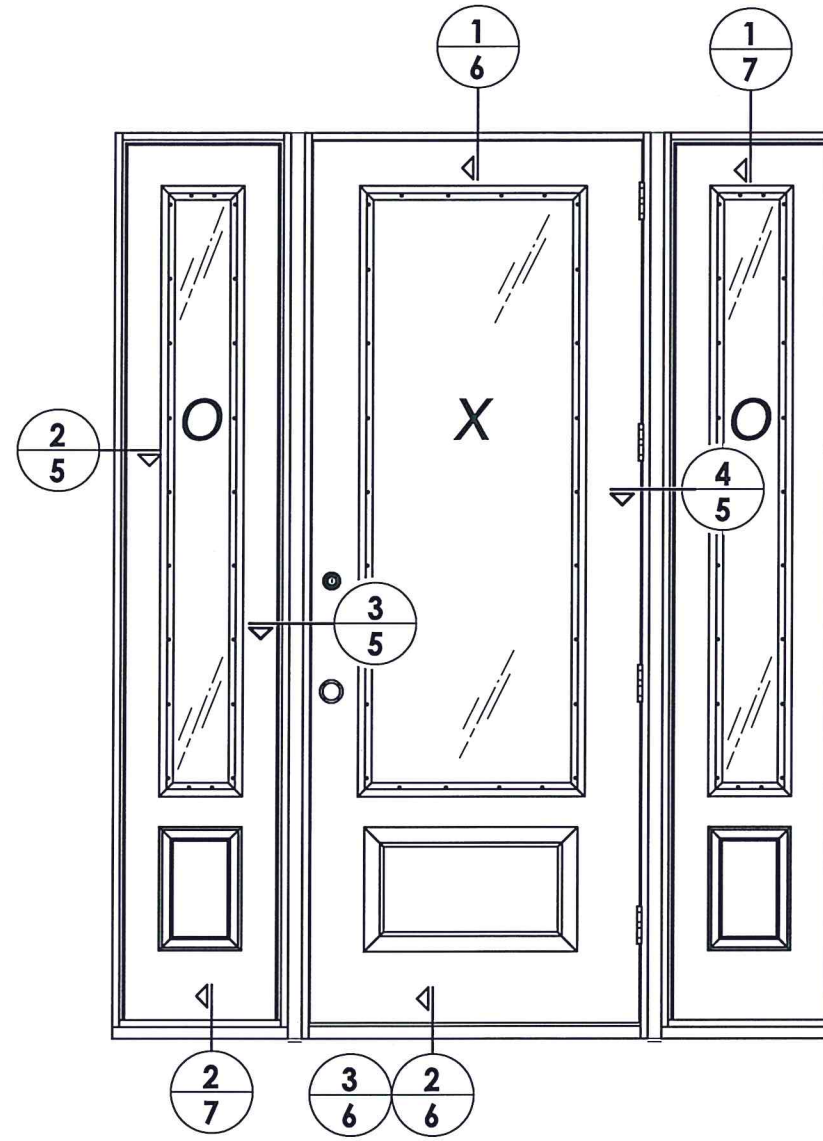




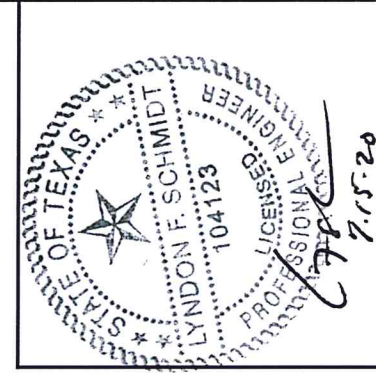
ELEVATION (X)



ELEVATION (OX / XO)



ELEVATION (OXO)



Documents Prepared By: Lyndon F. Schmidt, P.E.  
TEXAS P.E. #104123

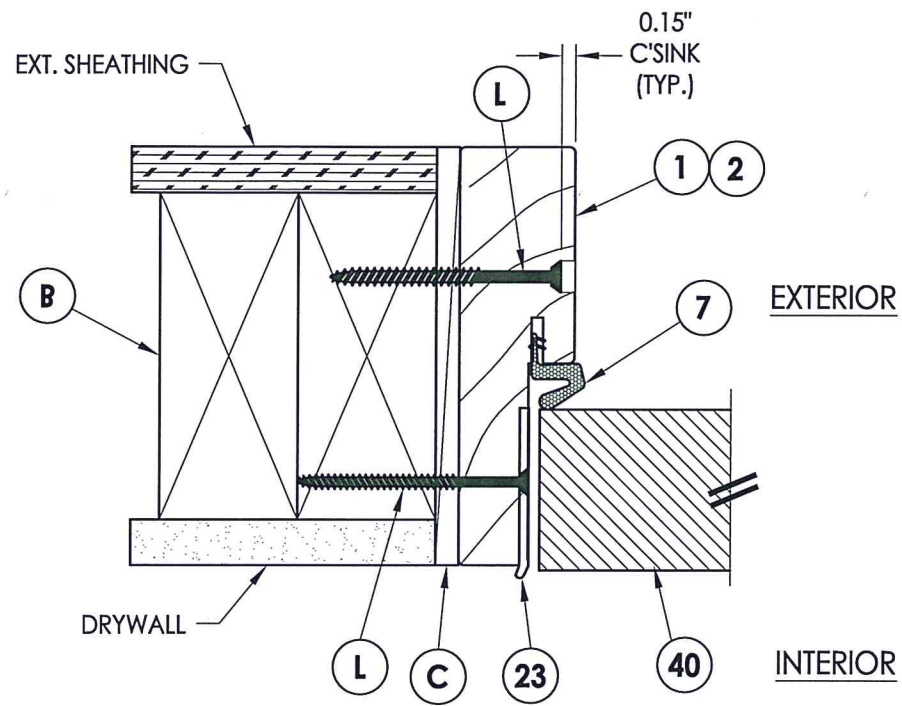
**RW** BUILDING CONSULTANTS, INC.  
P.O. Box 230 Valrico FL, 33595  
Phone No.: 813.659.9197  
TEXAS BOARD OF PROFESSIONAL ENGINEERS  
CERTIFICATE OF REGISTRATION # F-11852

PRODUCT: TAYLOR  
FIBERGLASS DOOR  
PART OR ASSEMBLY:  
ELEVATIONS

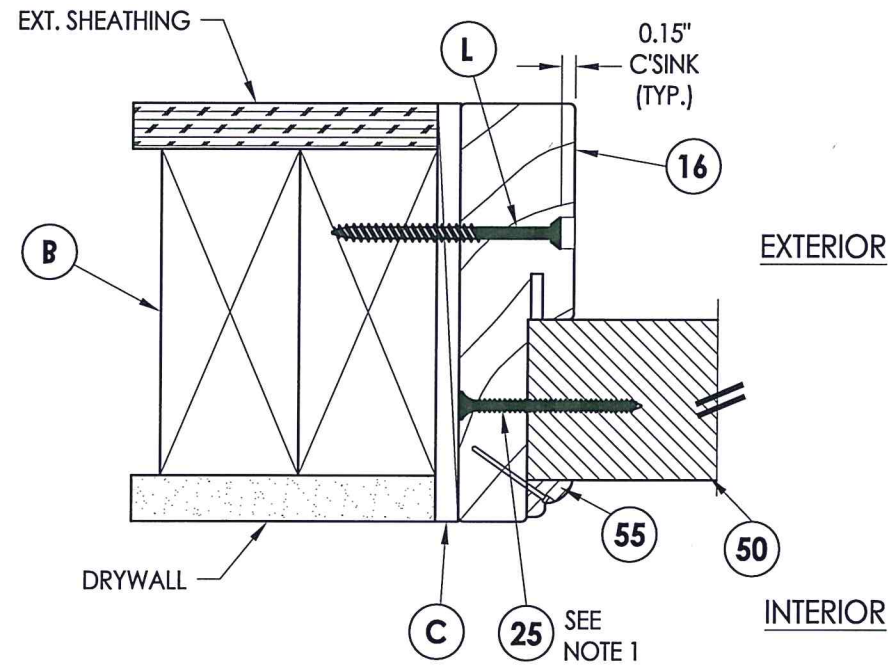
NO.	DATE	DESCRIPTION	LFS	BY
1	7/14/20	UPDATE TO 2018 IBC/IRC CODE	LFS	

DATE: 11/26/14  
SCALE: N.T.S.  
DWG. BY: JK  
CHK. BY: LFS  
DRAWING NO.: TX-4520  
SHEET 4 OF 9

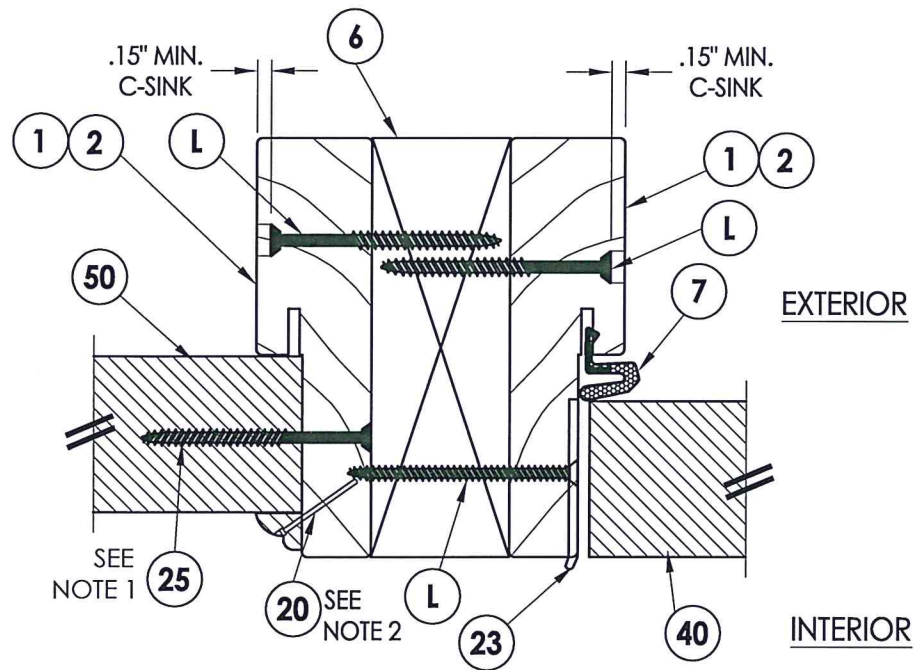




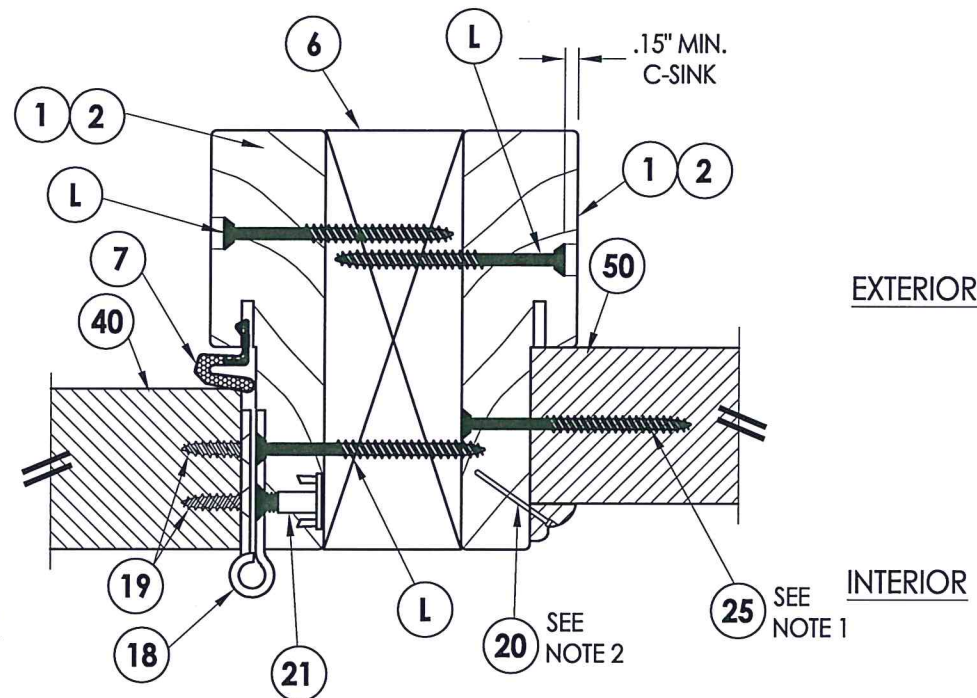
**1**  
**5** HORIZONTAL CROSS SECTION



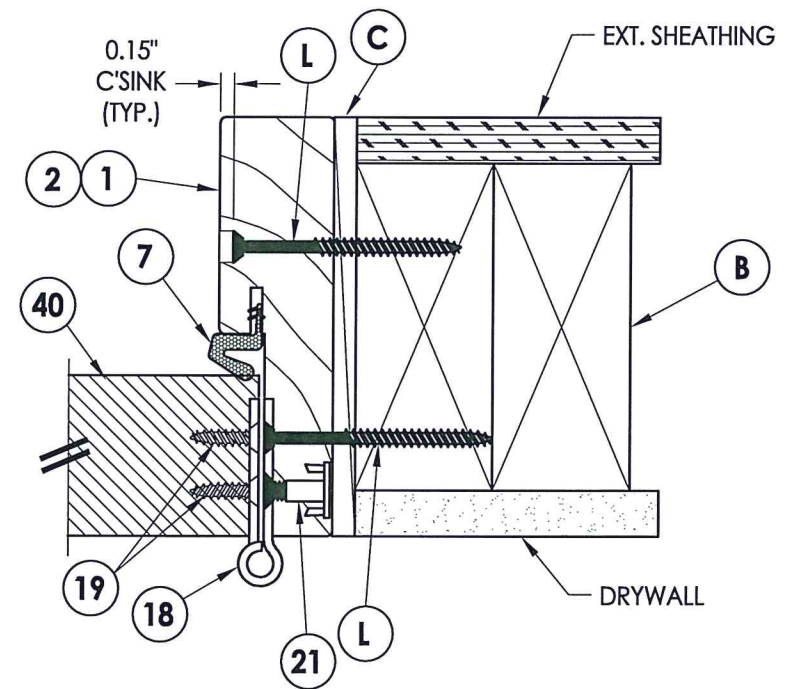
**2**  
**5** HORIZONTAL CROSS SECTION



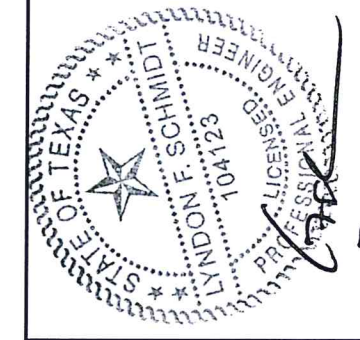
**3**  
**5** HORIZONTAL CROSS SECTION



**4**  
**5** HORIZONTAL CROSS SECTION



**5**  
**5** HORIZONTAL CROSS SECTION



Documents Prepared By: Lyndon F. Schmidt, P.E.  
TEXAS P.E. #104123

**RW** BUILDING CONSULTANTS, INC.  
P.O. Box 230 Valrico FL, 33595  
Phone No.: 813.659.9197  
TEXAS BOARD OF PROFESSIONAL ENGINEERS  
CERTIFICATE OF REGISTRATION # F-11852

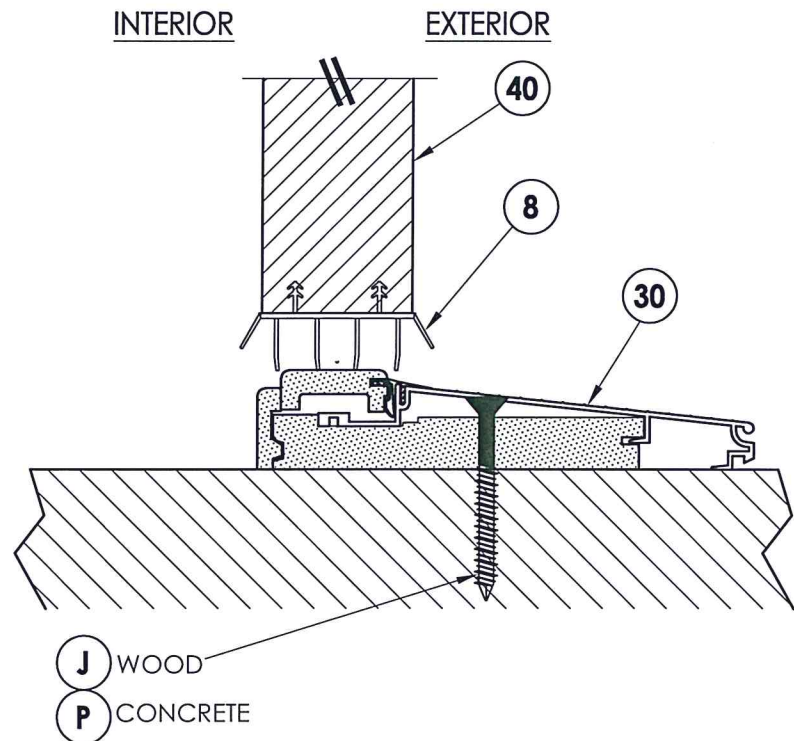
- NOTE:
- Sidelite ass'y fastener; 6" from each end and 6 more screws equally spaced between. (8 screws total per jamb.)
  - Trim secured with 1" Brad Nail @ 6" O.C. (TYP).

PRODUCT:	TAYLOR FIBERGLASS DOOR
PART OR ASSEMBLY:	HORIZONTAL CROSS SECTIONS

NO.	DATE	DESCRIPTION	BY
1	7/14/20	UPDATE TO 2018 IBC/IRC CODE	LFS

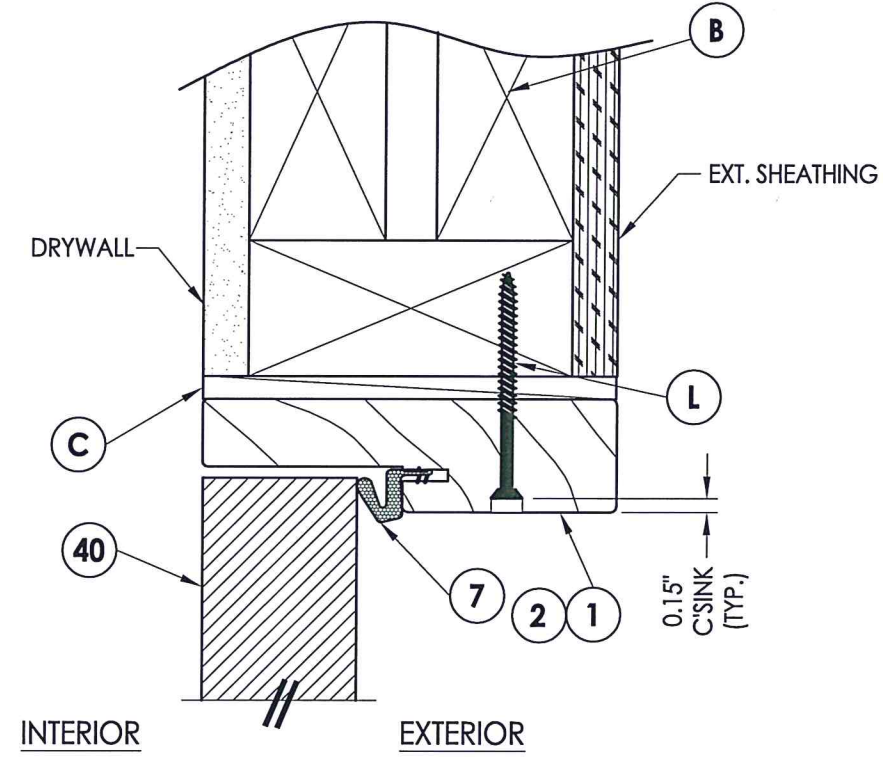
DATE:	11/26/14
SCALE:	N.T.S.
DWG. BY:	JK
CHK. BY:	LFS
DRAWING NO.:	TX-4520
SHEET	5 of 9



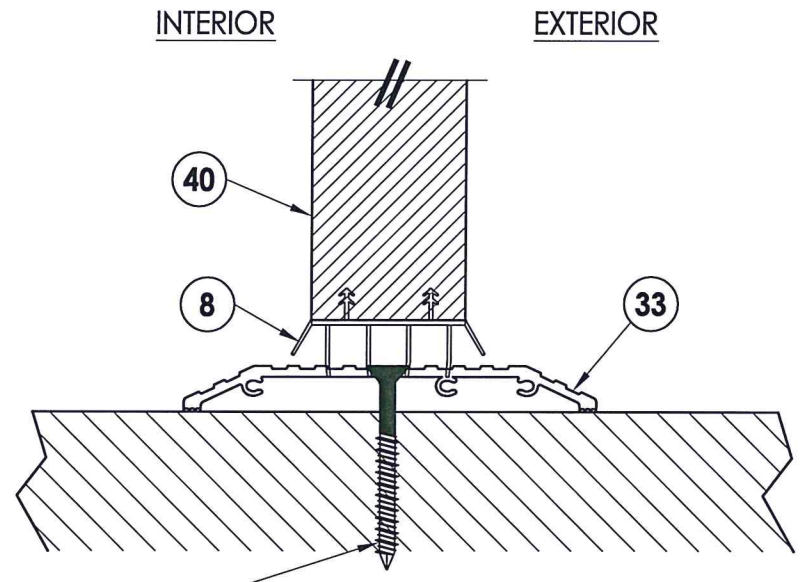


NOTE: Anchor not required on Single (X) door

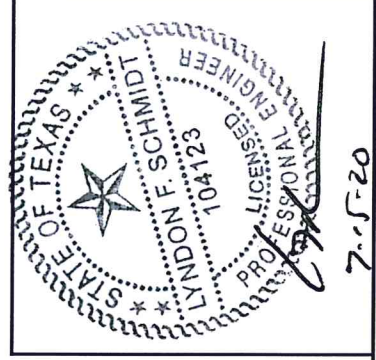
**2**  
**6** VERTICAL CROSS SECTION  
Inswing sill



**1**  
**6** VERTICAL CROSS SECTION



**3**  
**6** VERTICAL CROSS SECTION  
Shown w/ ADA threshold

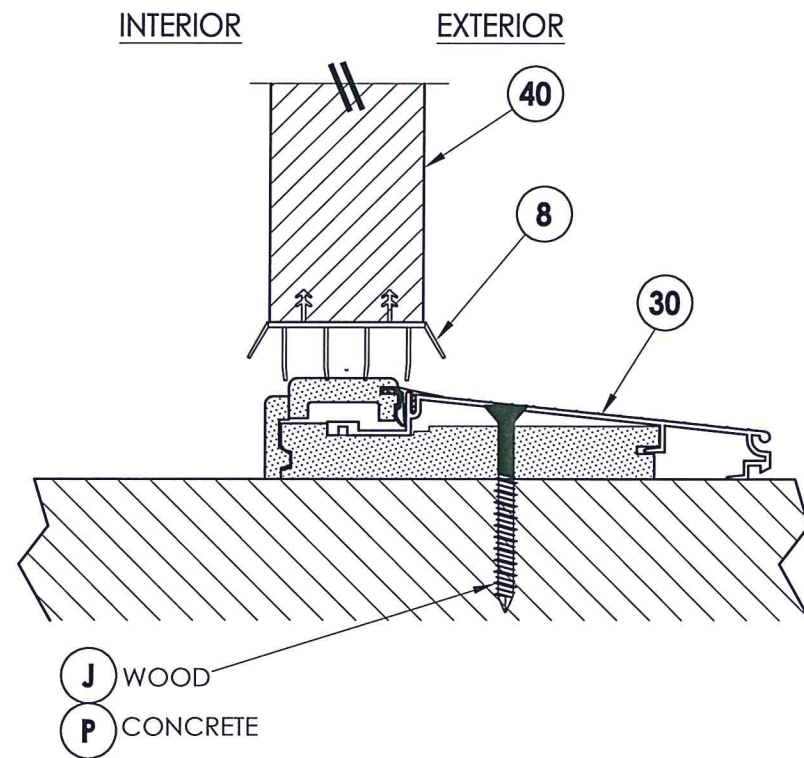


Documents Prepared By: Lyndon F. Schmidt, P.E.  
TEXAS P.E. #104123  
**RW** BUILDING CONSULTANTS, INC.  
P.O. Box 230 Valrico FL, 33595  
Phone No.: 813.659.9197  
TEXAS BOARD OF PROFESSIONAL ENGINEERS  
CERTIFICATE OF REGISTRATION # F-11852

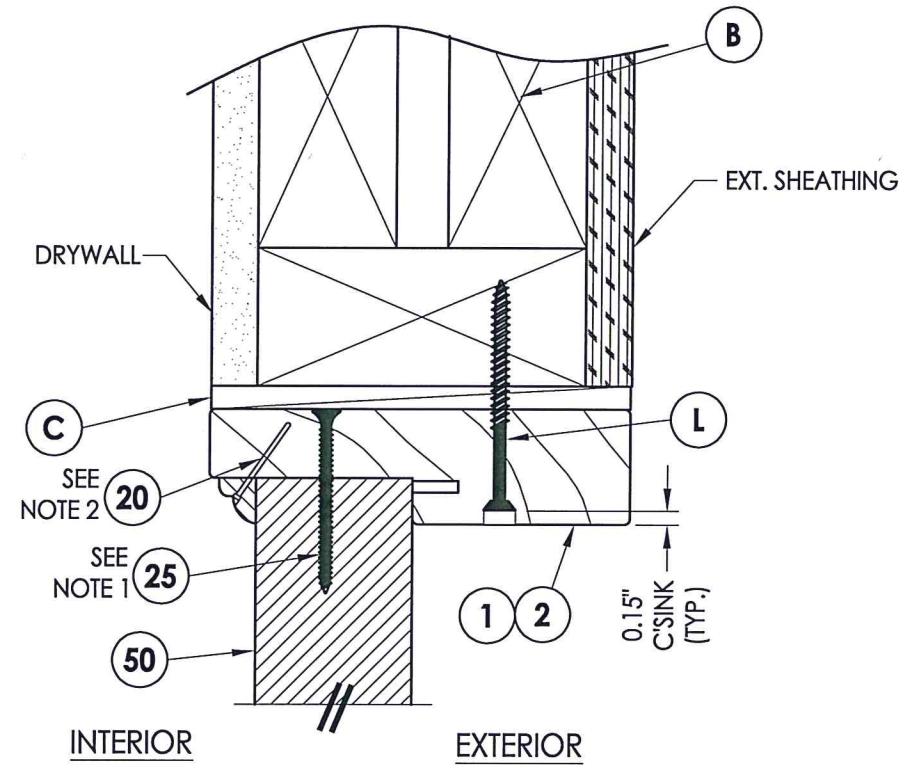
PRODUCT: TAYLOR FIBERGLASS DOOR  
PART OR ASSEMBLY: VERTICAL CROSS SECTIONS

REVISIONS	
NO.	DATE
1	7/14/20
	UPDATE TO 2018 IBC/IRC CODE
	LFS
	BY

DATE: 11/26/14  
SCALE: N.T.S.  
DWG. BY: JK  
CHK. BY: LFS  
DRAWING NO.: TX-4520  
SHEET 6 OF 9



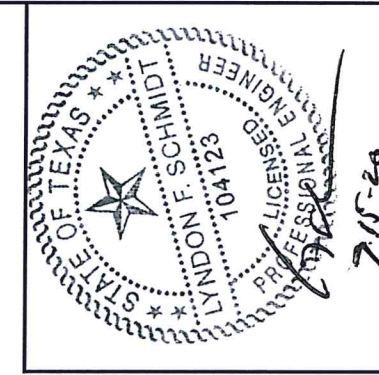
**2** VERTICAL CROSS SECTION  
7 Inswing sill



**1** VERTICAL CROSS SECTION  
7

**NOTE:**

1. Screws thru head jamb located 3" from each end.
2. Trim secured with 1" Brad Nail @ 6" O.C. (TYP).

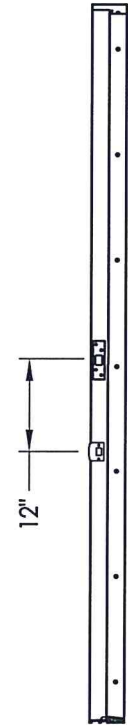


Documents Prepared By: Lyndon F. Schmidt, P.E.  
TEXAS P.E. #104123

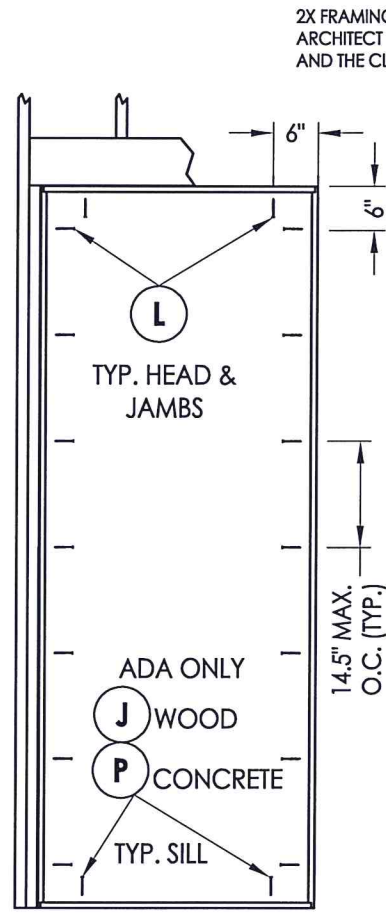
**RW** BUILDING CONSULTANTS, INC.  
P.O. Box 230 Valrico FL, 33595  
Phone No.: 813.689.9197  
TEXAS BOARD OF PROFESSIONAL ENGINEERS  
CERTIFICATE OF REGISTRATION # F-11852

PRODUCT: TAYLOR FIBERGLASS DOOR	
PART OR ASSEMBLY: VERTICAL CROSS SECTIONS	
NO.	DATE
1	7/14/20
UPDATE TO 2018 IBC/IRC CODE	
LFS	BY
REVISIONS	
DATE: 11/26/14	
SCALE: N.T.S.	
DWG. BY: JK	
CHK. BY: LFS	
DRAWING NO.: TX-4520	
SHEET 7 of 9	

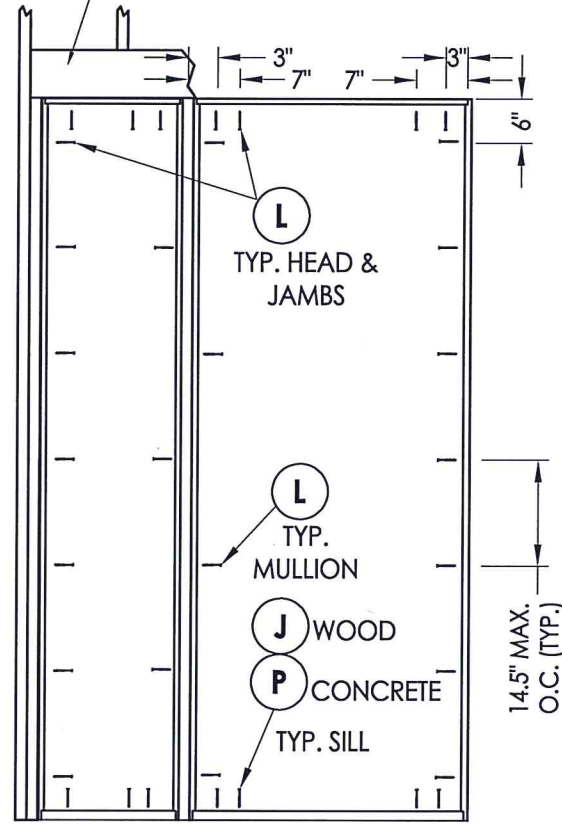




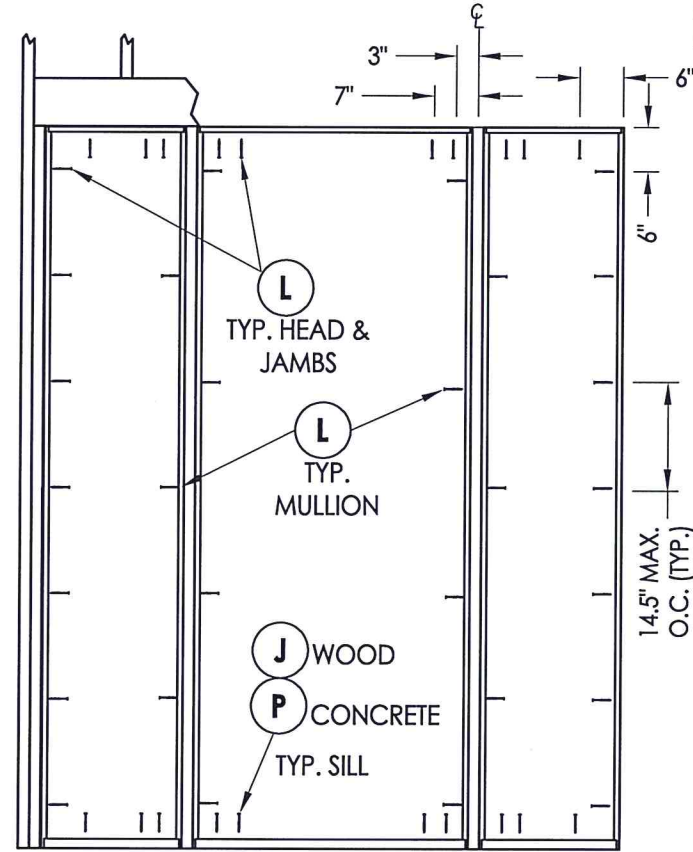
**STRIKE JAMB**



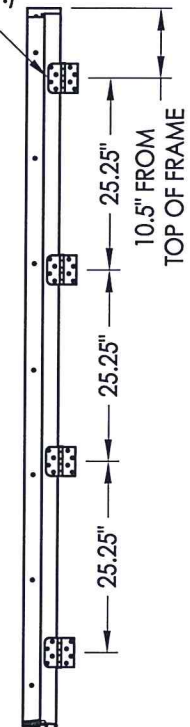
**FRAME ANCHORING X**



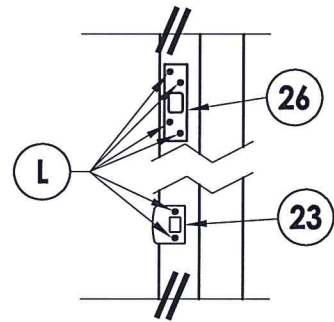
**FRAME ANCHORING OX**



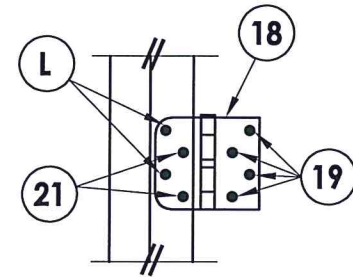
**FRAME ANCHORING OXO**



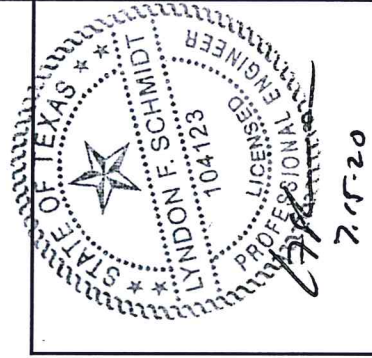
**HINGE JAMB**



**LATCH & DEADBOLT DETAIL**  
Security Strike



**HINGE DETAIL**



Documents Prepared By: Lyndon F. Schmidt, P.E.  
TEXAS P.E. #104123

**RW** BUILDING CONSULTANTS, INC.  
P.O. Box 230 Valrico FL 33595  
Phone No.: 813.659.9197

TEXAS BOARD OF PROFESSIONAL ENGINEERS  
CERTIFICATE OF REGISTRATION # F-11852

PRODUCT: TAYLOR FIBERGLASS DOOR	
PART OR ASSEMBLY: FRAME ANCHORING	
NO.	DATE
1	7/14/20
UPDATE TO 2018 IBC/IRC CODE	
LFS	BY
REVISIONS	
DATE: 11/26/14	
SCALE: N.T.S.	
DWG. BY: JK	
CHK. BY: LFS	
DRAWING NO.: TX-4520	
SHEET 8 OF 9	

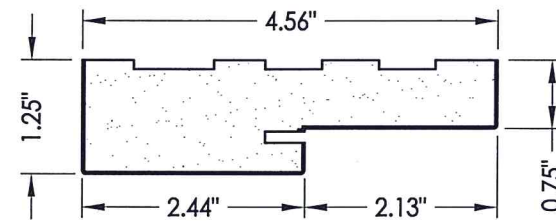


BILL OF MATERIALS		
ITEM #	DESCRIPTION	MATERIAL
B	2X FRAMING (G >= 0.42)	WOOD
C	1/4" MAX. SHIM SPACE	-
J	#10 X 3" PFH WOOD SCREW	STEEL
L	#10 X 2-1/2" PFH WOOD SCREW	STEEL
P	1/4" PFH ELCO OR ITW CONCRETE SCREW (1-3/4" MIN. EMBEDMENT)	STEEL
1	JAMB - FINGERJOINT PINE	WOOD
2	JAMB - POLY FIBER	POLY FIBER
6	2X MULLION (G > = 0.55)	WOOD
7	WEATHERSTRIP	FOAM
8	DOOR BOTTOM SWEEP	VINYL
18	4" X 4" HINGE	STEEL
19	#10 X 3/4" PFH WS	STEEL
20	1" BRAD NAIL	STEEL
21	#10 X 3/4" PFH WS (Wood Jamb) #10-24 X 5/8" M.S. W/ 1/2" STAFast INSERT P/N D102413 (Wood or Poly Fiber Jamb) #10-24 X 5/8" M.S. w/ 3/8" STAFast PRONG TEE NUT (Wood or Poly Fiber Jamb)	STEEL
23	LATCH STRIKE PLATE	STEEL
25	#8 X 2-1/2" PFH WOOD SCREW	STEEL
26	DEADBOLT STRIKE PLATE (SECURITY)	STEEL
30	INSWING THRESHOLD	ALUM/COMP
33	ADA THRESHOLD	ALUM
35	SIDELITE ADAPTER	VINYL
40	DOOR PANEL - SEE DOOR PANEL DETAIL SHEET FOR CONSTRUCTION DETAILS	-
50	SIDELITE PANEL - SEE SIDELITE PANEL DETAIL SHEET FOR CONSTRUCTION DETAILS	-
55	SIDELITE TRIM	WOOD

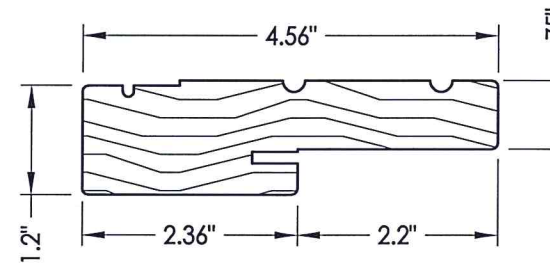
**CONCRETE ANCHOR NOTES:**

- Concrete anchor locations at the corners may be adjusted to maintain the min. edge distance to mortar joints.
- Concrete anchor locations noted as "MAX. ON CENTER" must be adjusted to maintain the min. edge distance to mortar joints, additional concrete anchors may be required to ensure the "MAX. ON CENTER" dimension are not exceeded.
- Concrete anchor table:

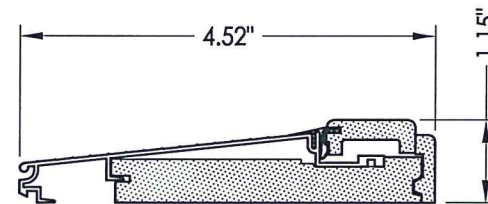
ANCHOR TYPE	ANCHOR SIZE	MIN. EMBEDMENT	MIN. CLEARANCE TO MASONRY EDGE	MIN. CLEARANCE TO ADJACENT ANCHOR
ITW TAPCON®	1/4"	1-3/4"	2-1/2"	3"
ELCO ULTRACON®	1/4"	1-3/4"	1"	3"



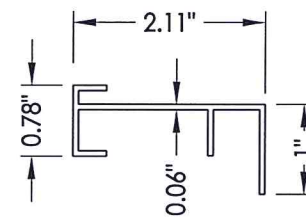
1 POLY FIBER JAMB



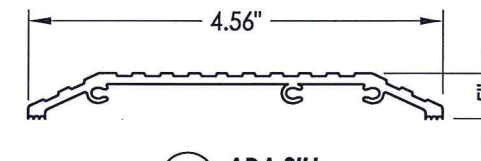
2 WOOD JAMB



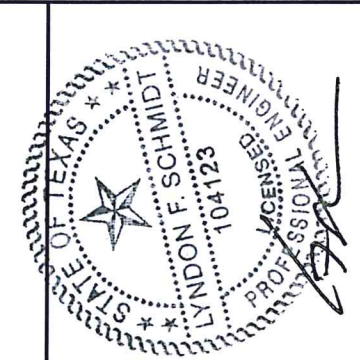
30 INSWING THRESHOLD  
By Imperial



35 SIDELITE ADAPTER



33 ADA SILL



Documents Prepared By: Lyndon F. Schmidt, P.E.  
TEXAS P.E. #104123

R.W. BUILDING CONSULTANTS, INC.  
P.O. Box 230 Valrico FL, 33595  
Phone No.: 813.659.9197

TEXAS BOARD OF PROFESSIONAL ENGINEERS  
CERTIFICATE OF REGISTRATION # F-11852

PRODUCT: TAYLOR FIBERGLASS DOOR  
PART OR ASSEMBLY: BILL OF MATERIALS AND COMPONENTS

NO.	DATE	DESCRIPTION	LFS	BY
1	7/14/20	UPDATE TO 2018 IBC/IRC CODE		

DATE: 11/26/14  
SCALE: N.T.S.  
DWG. BY: JK  
CHK. BY: LFS  
DRAWING NO.: TX-4520  
SHEET 9 OF 9