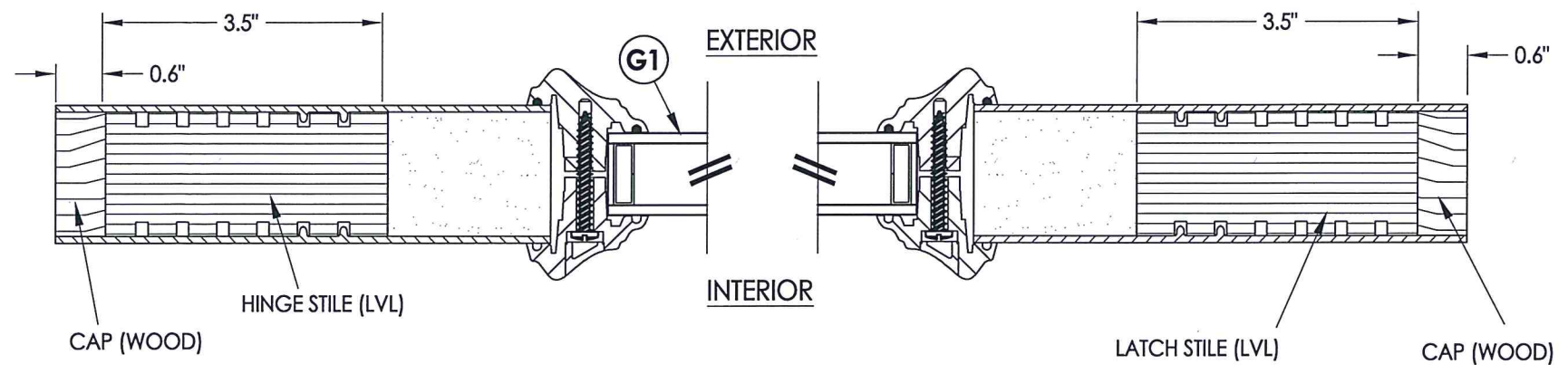
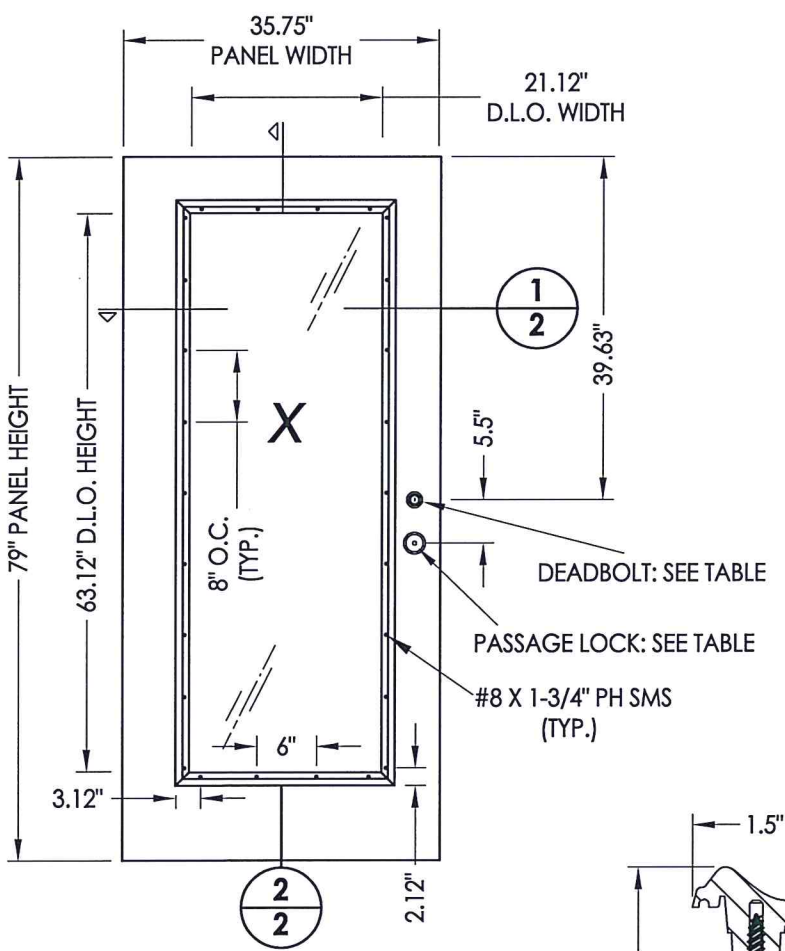


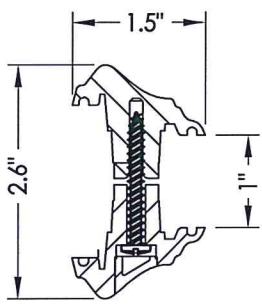
R:\Clients\Taylor Permanent\B - Texas Dept of Ins\TDI - DR 619 6 8 & 8'0 GLZ FG Doors Impact\Drawings\2018 IBC Update\TX-4518-19.dwg, 2 (2)



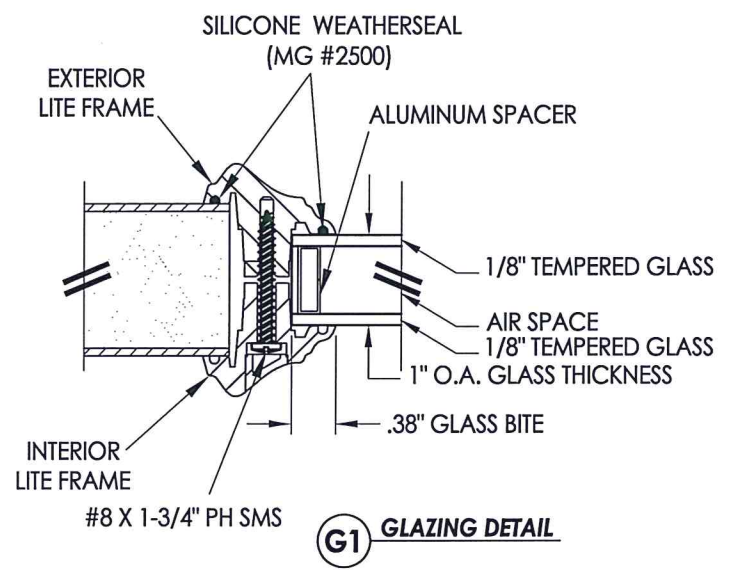
1
2 HORIZONTAL CROSS SECTION



40 DOOR PANEL
Taylor Door
w/ Mastergrain Fiberglass skins

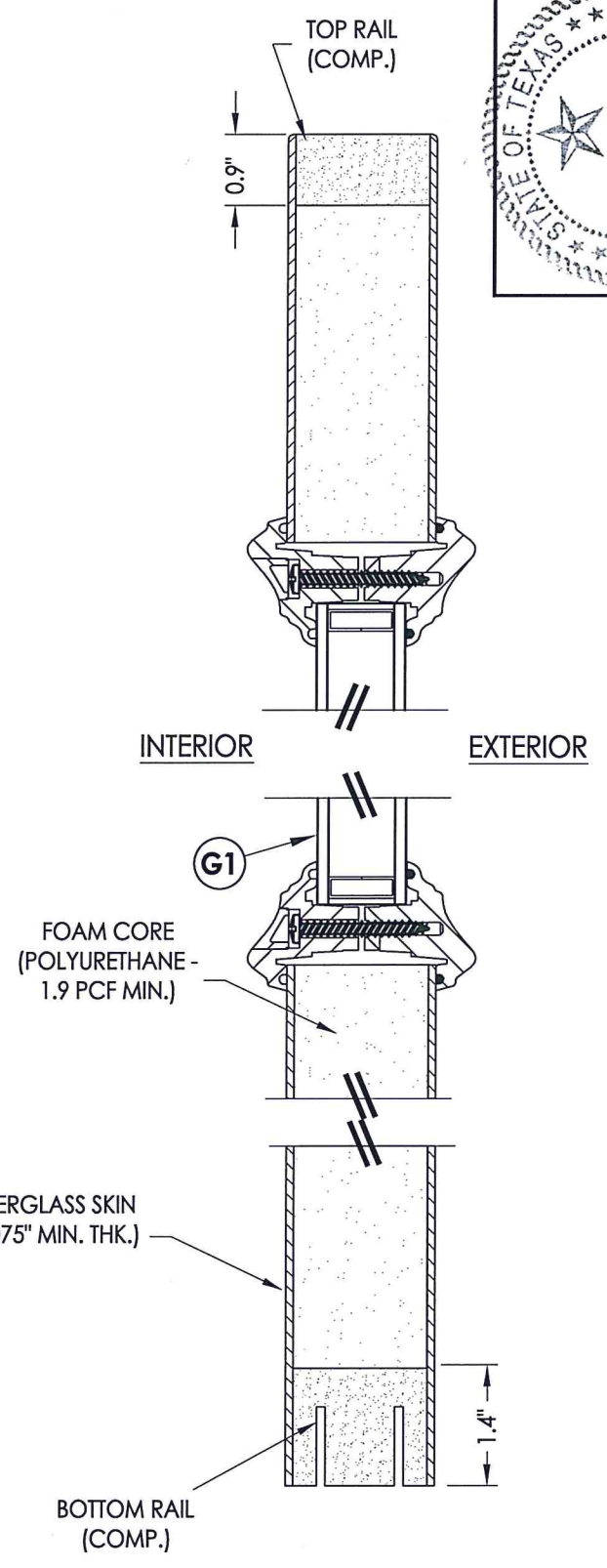


LITE FRAME
Polypropylene



G1 GLAZING DETAIL

HARDWARE TABLE		
MANUFACTURER	MODEL	
KWIKSET	KNOB:	KWIKSET SIGNATURE SERIES
	DEADBOLT:	KWIKSET SIGNATURE SERIES (980)
KWIKSET	KNOB:	KWIKSET SERIES
	DEADBOLT:	KWIKSET SERIES (660)
SCHLAGE	KNOB:	"F" SERIES
	DEADBOLT:	"B" SERIES



2
2 VERTICAL CROSS SECTION



Documents Prepared By: Lyndon F. Schmidt, P.E.
TEXAS P.E. #104123

RW BUILDING CONSULTANTS, INC.
P.O. Box 230 Valrico FL 33595
Phone No.: 813.659.9197

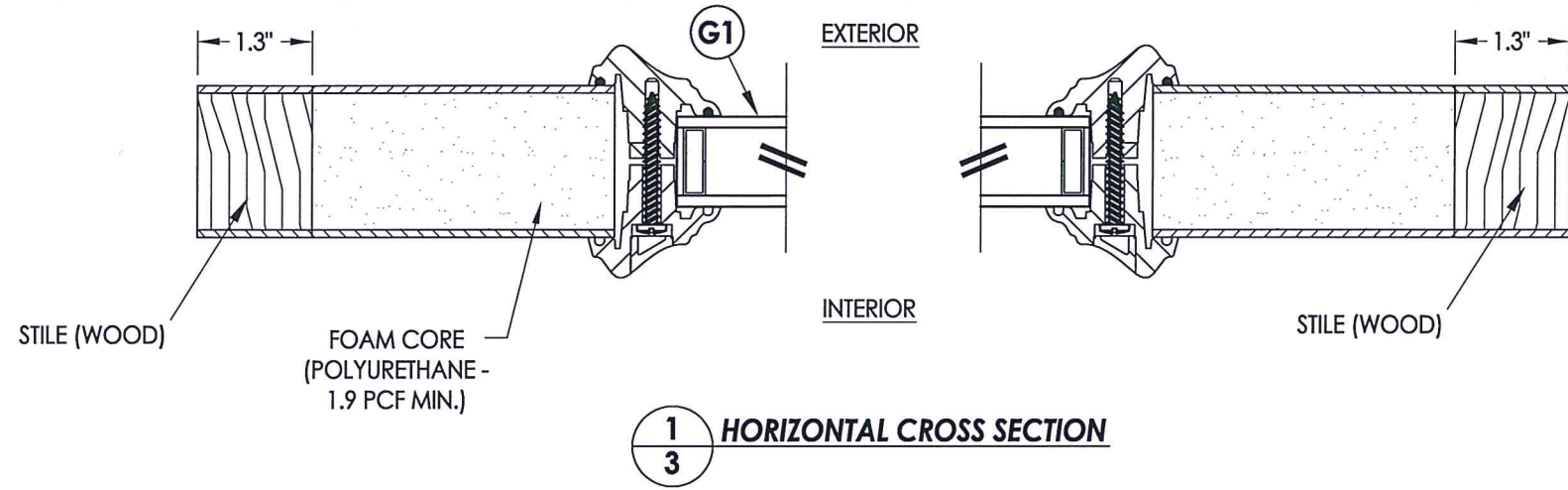
TEXAS BOARD OF PROFESSIONAL ENGINEERS
CERTIFICATE OF REGISTRATION # F-11852

PRODUCT: TAYLOR
FIBERGLASS DOOR

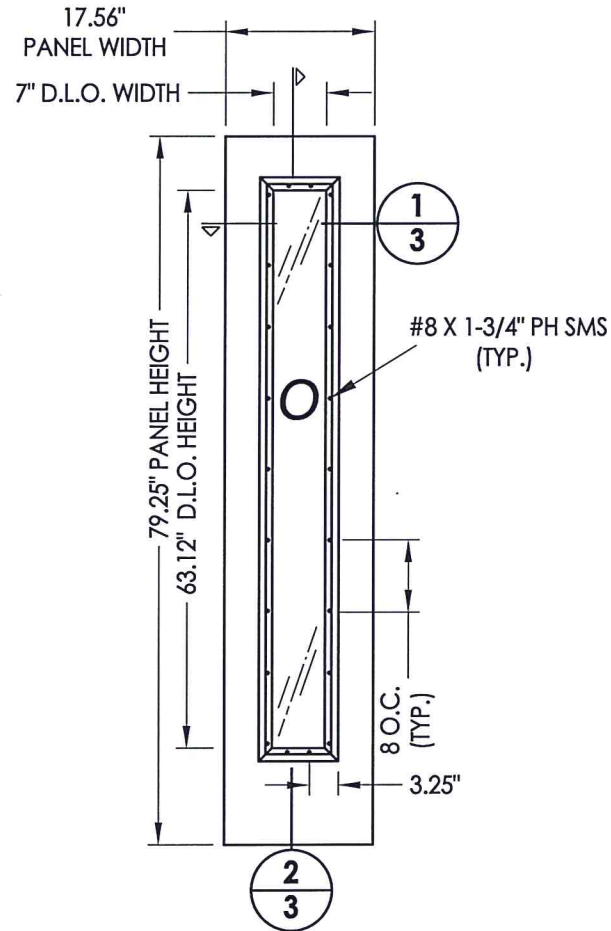
PART OR ASSEMBLY:
DOOR PANEL DETAILS
AND GLAZING DETAIL

NO.	DATE	BY	REVISIONS
1	7/14/20	LFS	UPDATE TO 2018 IBC/IRC CODE

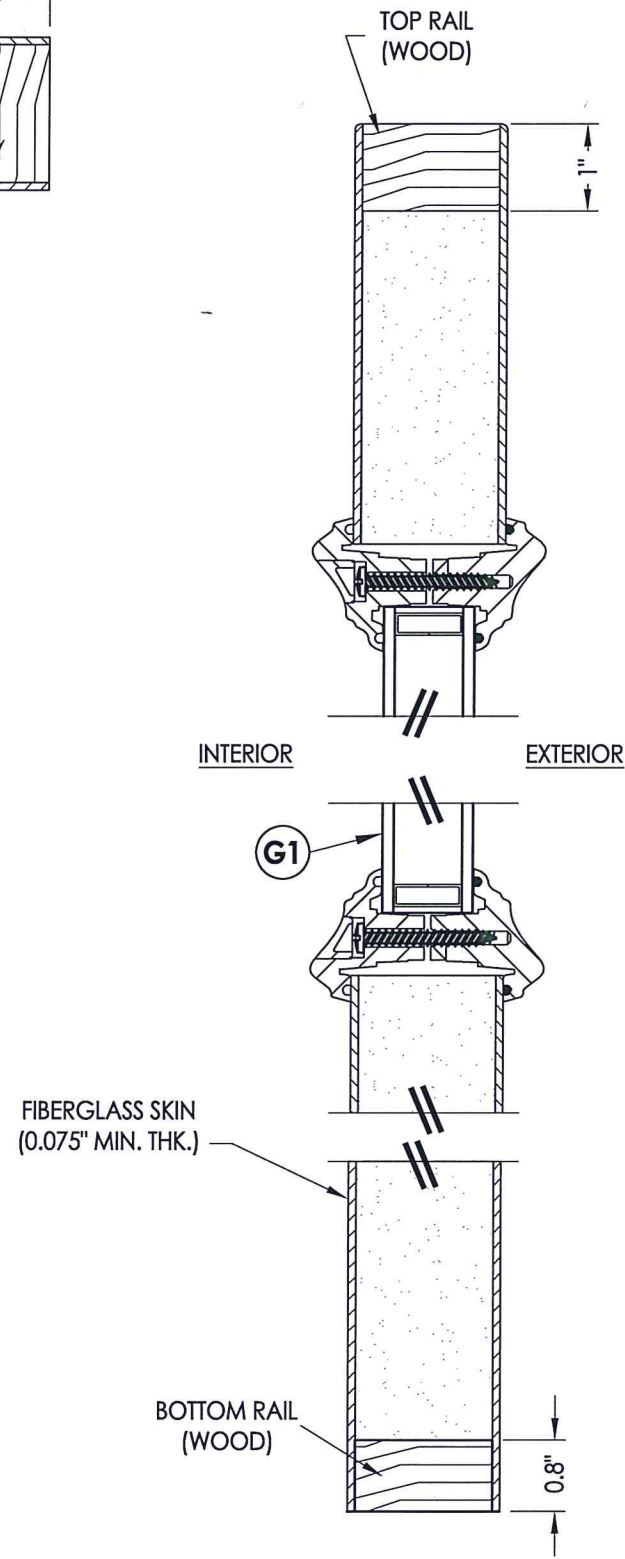
DATE: 11/26/14
SCALE: N.T.S.
DWG. BY: JK
CHK. BY: LFS
DRAWING NO.: TX-4519
SHEET 2 OF 9



1
3 HORIZONTAL CROSS SECTION



50 SIDELITE PANEL
Fiberglass



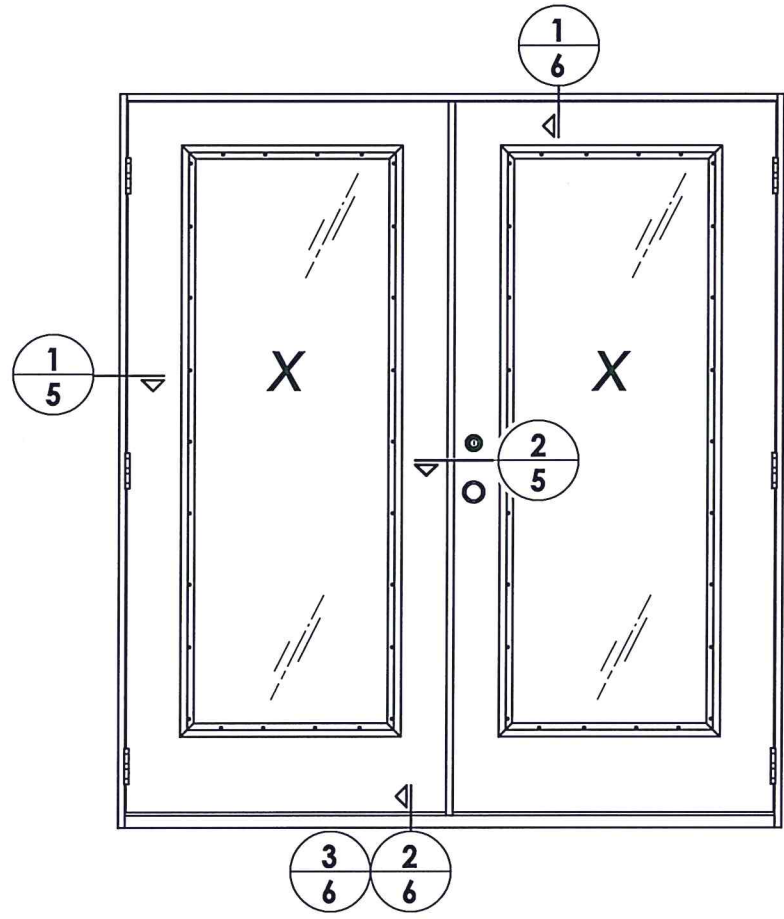
2
3 VERTICAL CROSS SECTION



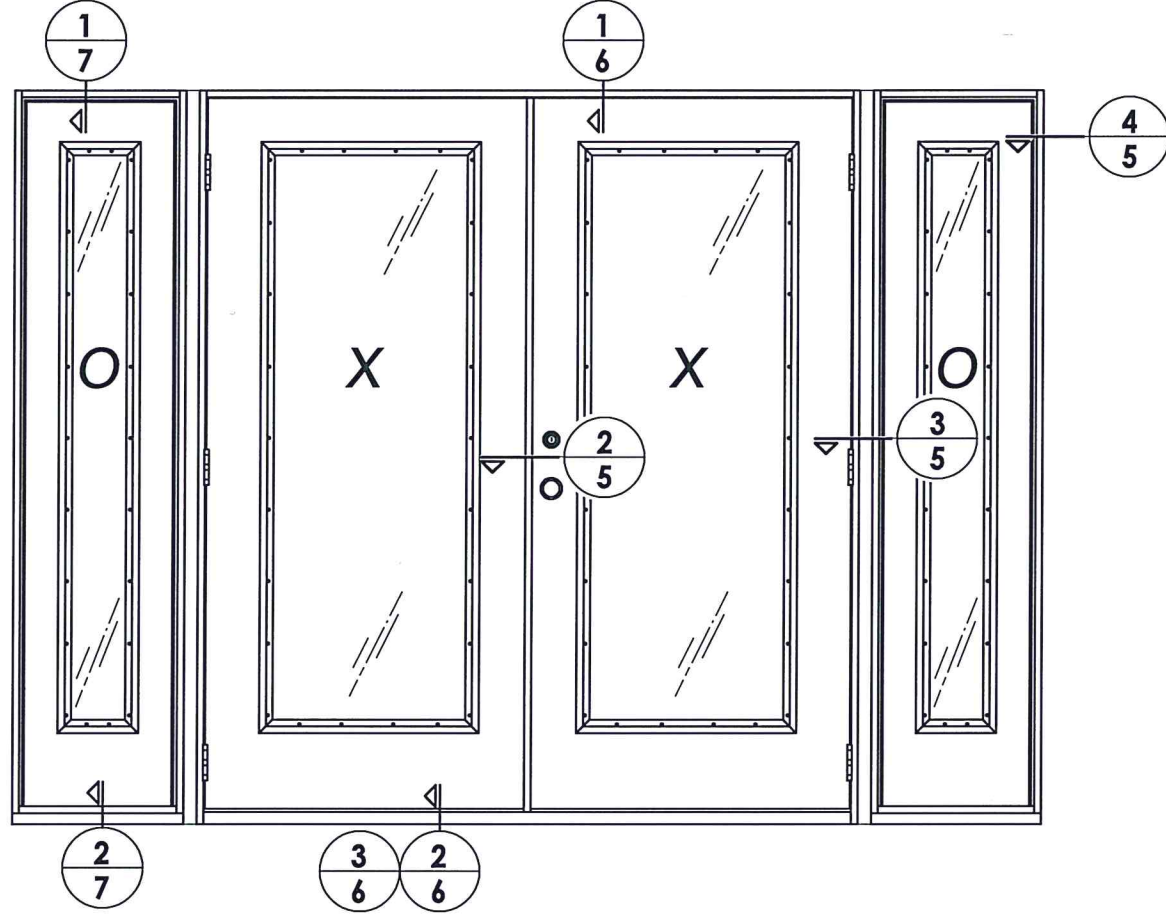
Documents Prepared By: Lyndon F. Schmidt, P.E.
TEXAS P.E. #104123

RW BUILDING CONSULTANTS, INC.
P.O. Box 230 Valrico FL 33595
Phone No.: 813.659.9197
TEXAS BOARD OF PROFESSIONAL ENGINEERS
CERTIFICATE OF REGISTRATION # F-11852

PRODUCT:		TAYLOR FIBERGLASS DOOR	
PART OR ASSEMBLY:		SIDELITE PANEL DETAILS AND GLAZING DETAIL	
NO.	DATE	BY	REVISIONS
1	7/14/20	LFS	UPDATE TO 2018 IBC/IRC CODE
DATE: 11/26/14			
SCALE: N.T.S.			
DWG. BY: JK			
CHK. BY: LFS			
DRAWING NO.: TX-4519			
SHEET 3 OF 9			



ELEVATION (XX)



ELEVATION (OXXO)



Documents Prepared By: Lyndon F. Schmidt, P.E.
 TEXAS P.E. #104123

RW BUILDING CONSULTANTS, INC.
 P.O. Box 230 Valrico FL, 33595
 Phone No.: 813.659.9197

TEXAS BOARD OF PROFESSIONAL ENGINEERS
 CERTIFICATE OF REGISTRATION # F-11852

PRODUCT: TAYLOR FIBERGLASS DOOR

PART OR ASSEMBLY: ELEVATIONS

NO.	DATE	DESCRIPTION	BY
1	7/14/20	UPDATE TO 2018 IBC/IRC CODE	LFS

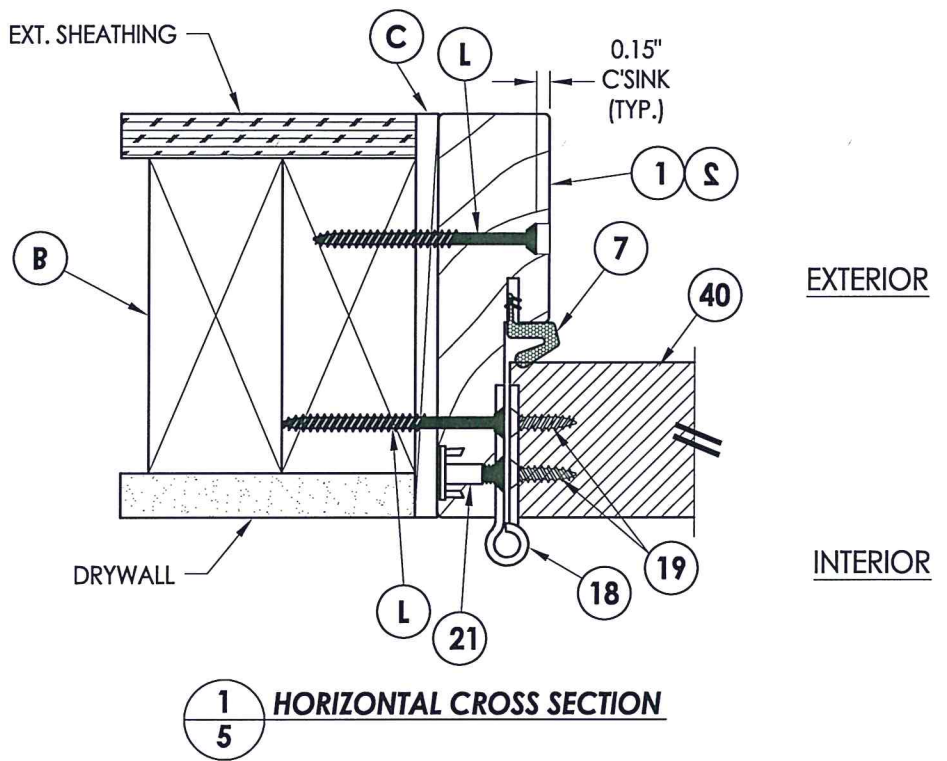
DATE: 11/26/14
 SCALE: N.T.S.
 DWG. BY: JK
 CHK. BY: LFS
 DRAWING NO.: TX-4519
 SHEET 4 OF 9



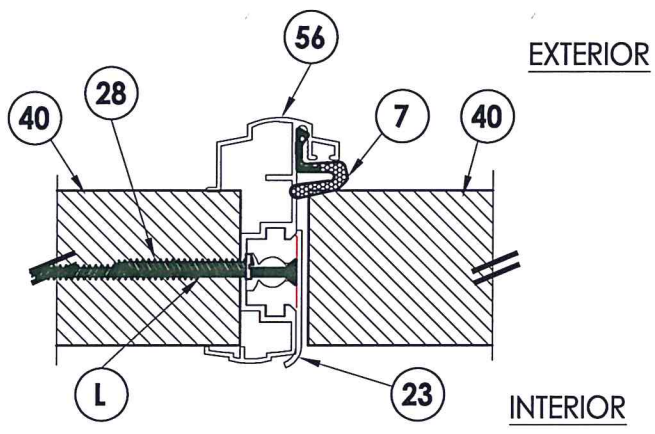
Documents Prepared By: Lyndon F. Schmidt, P.E.
TEXAS P.E. #104123

RW BUILDING CONSULTANTS, INC.
P.O. Box 230 Valrico FL, 33595
Phone No.: 813.659.9197

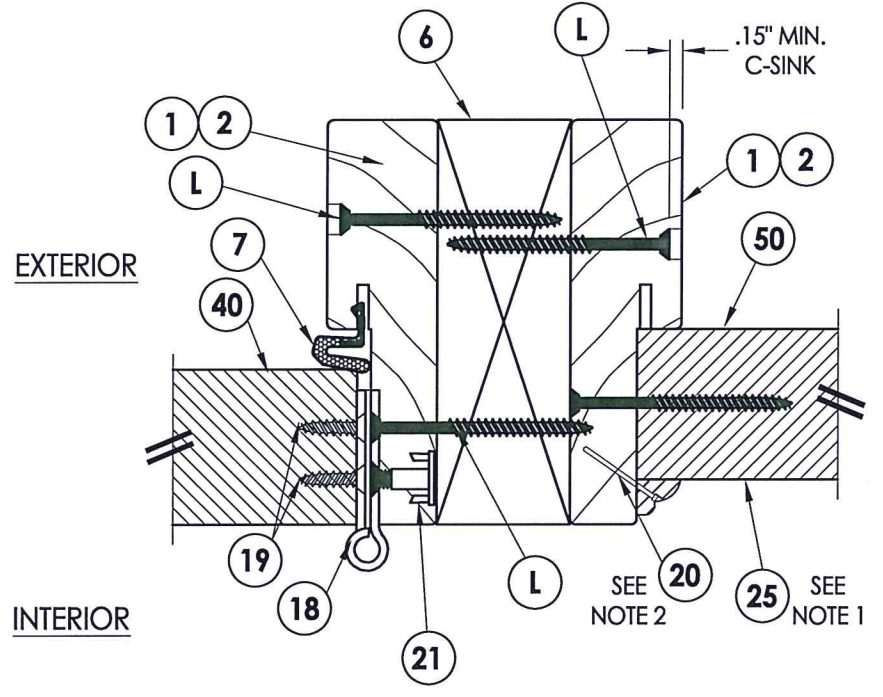
TEXAS BOARD OF PROFESSIONAL ENGINEERS
CERTIFICATE OF REGISTRATION # F-11852



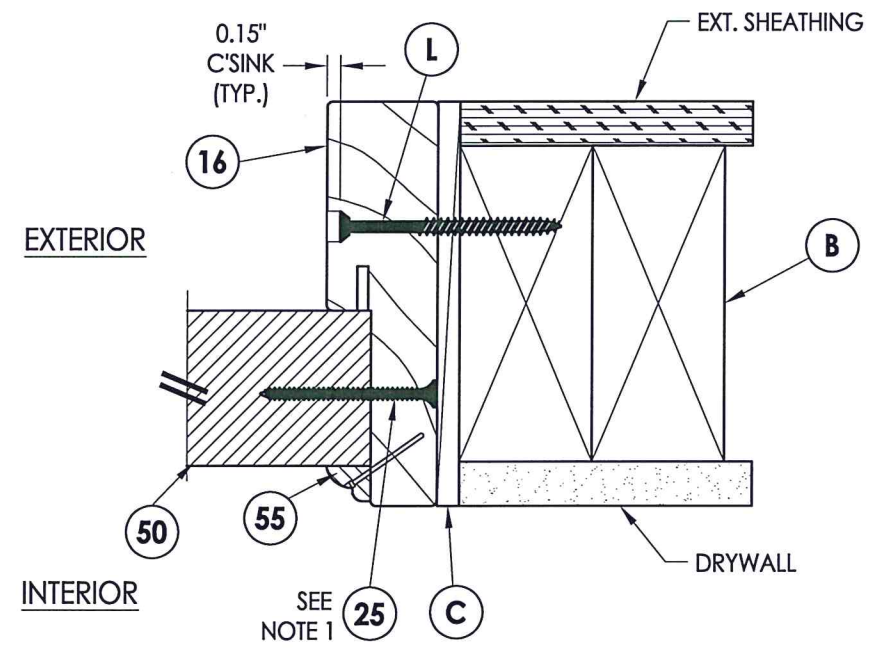
1
5 HORIZONTAL CROSS SECTION



2
5 HORIZONTAL CROSS SECTION



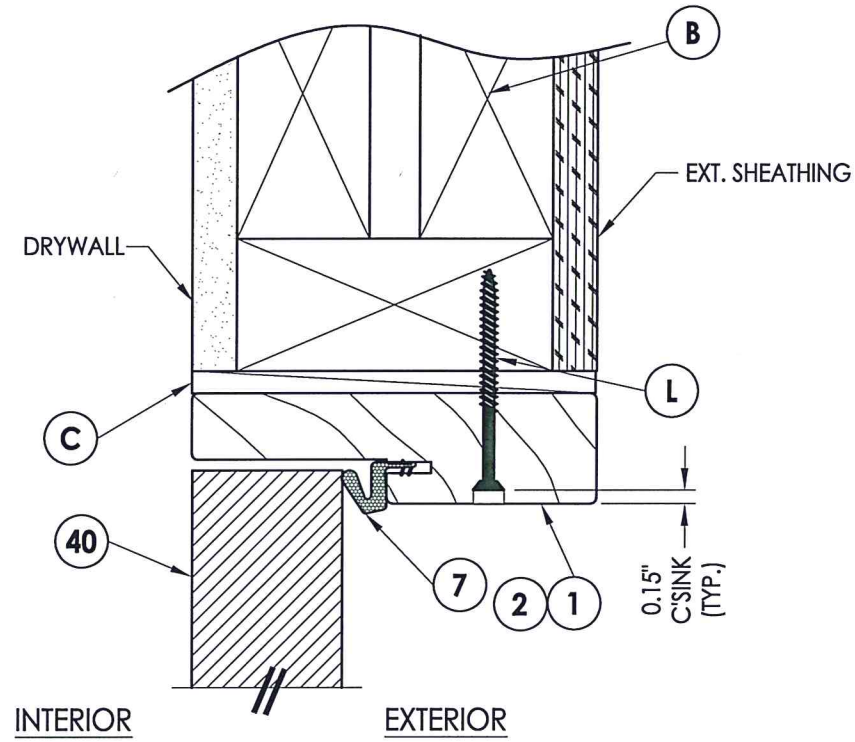
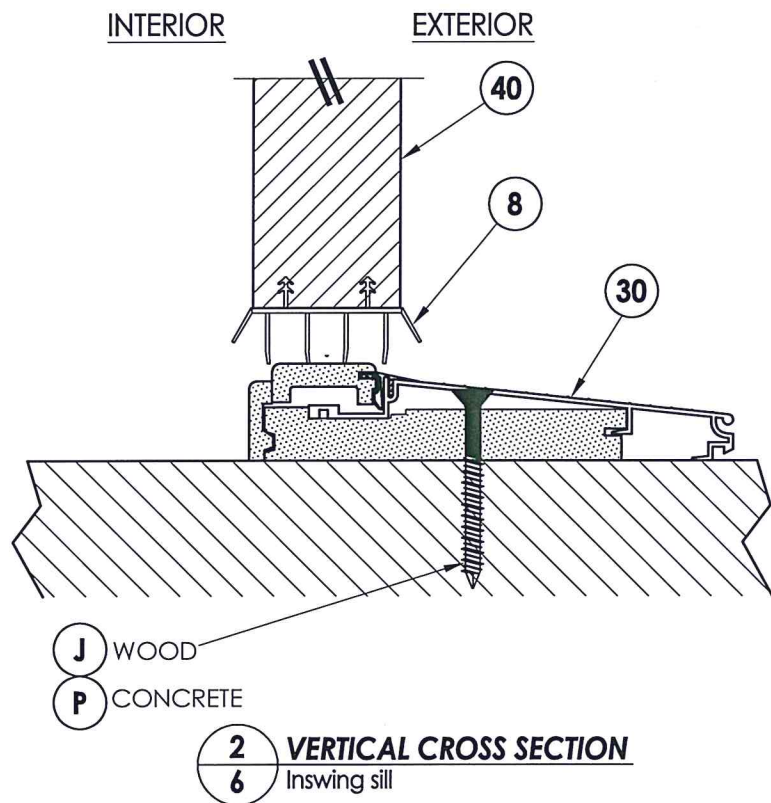
3
5 HORIZONTAL CROSS SECTION



4
5 HORIZONTAL CROSS SECTION

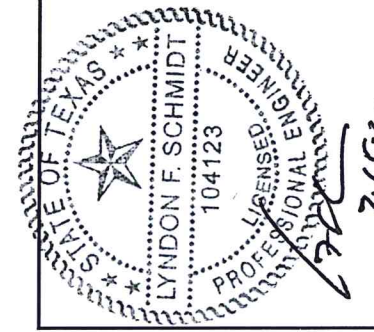
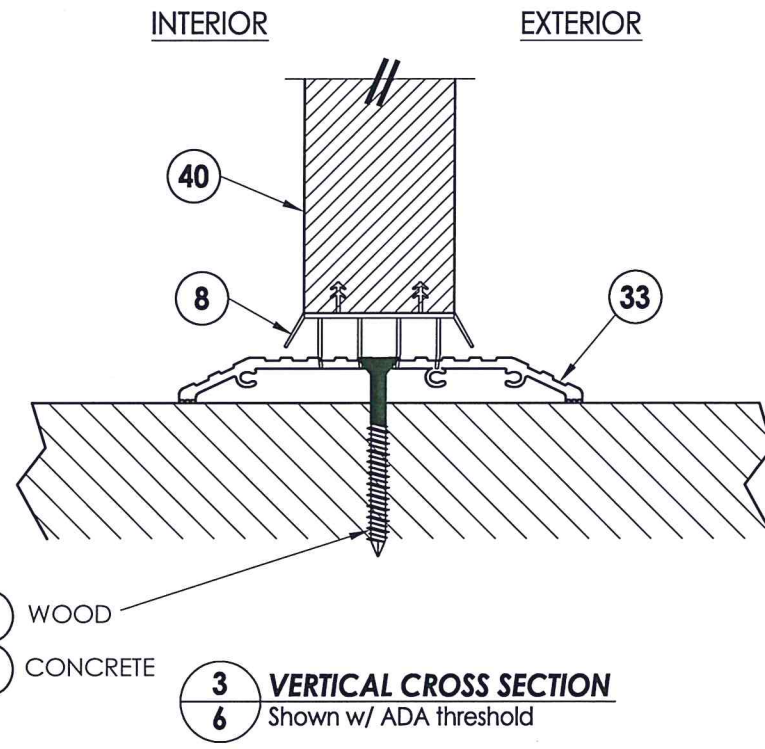
- NOTE:
- Sidelite ass'y fastener; 6" from each end and 6 more screws equally spaced between. (8 screws total per jamb.)
 - Trim secured with 1" Brad Nail @ 6" O.C. (TYP).

PRODUCT: TAYLOR FIBERGLASS DOOR	
PART OR ASSEMBLY: HORIZONTAL CROSS SECTIONS	
NO.	DATE
1	7/14/20
REVISIONS	
DATE:	11/26/14
SCALE:	N.T.S.
DWG. BY:	JK
CHK. BY:	LFS
DRAWING NO.:	TX-4519
SHEET	5 OF 9



1 VERTICAL CROSS SECTION

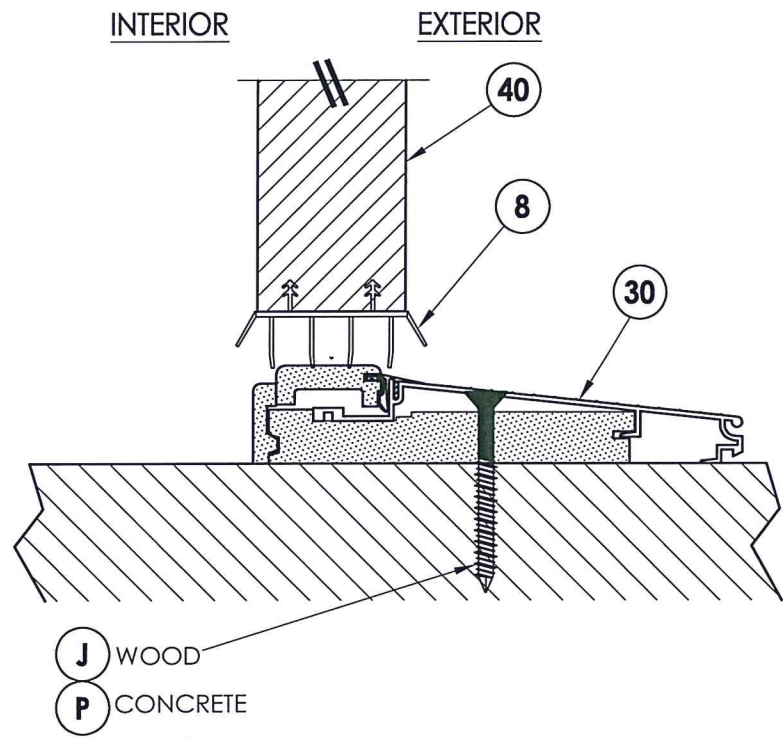
6



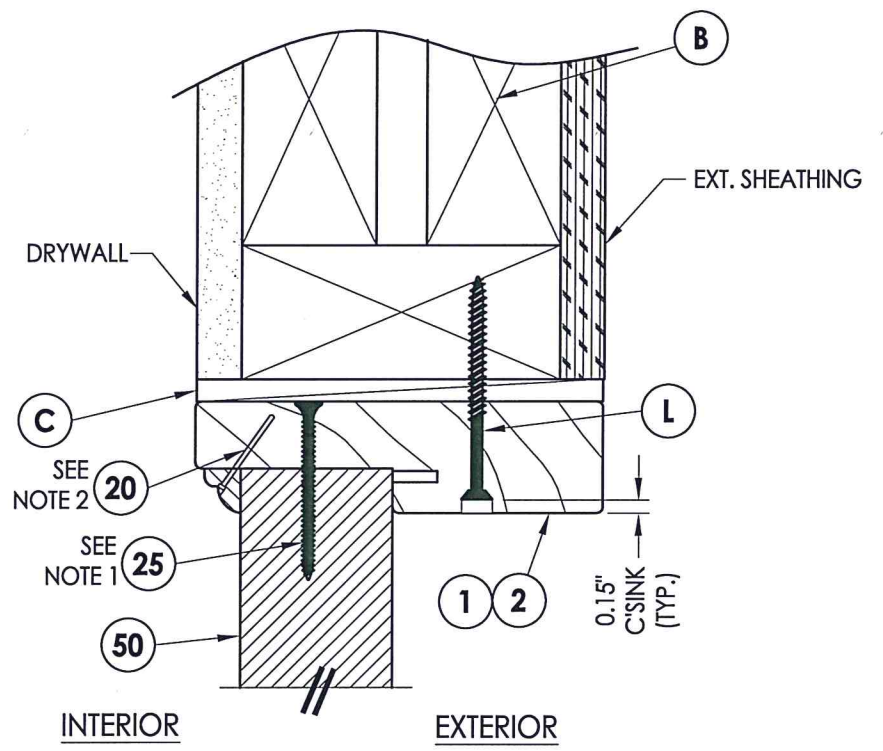
Documents Prepared By: Lyndon F. Schmidt, P.E.
TEXAS P.E. #104123

RW BUILDING CONSULTANTS, INC.
P.O. Box 230 Vairico FL 33595
Phone No.: 813.659.9197
TEXAS BOARD OF PROFESSIONAL ENGINEERS
CERTIFICATE OF REGISTRATION # F-11852

PRODUCT:	TAYLOR FIBERGLASS DOOR
PART OR ASSEMBLY:	VERTICAL CROSS SECTIONS
DATE:	11/26/14
SCALE:	N.T.S.
DWG. BY:	JK
CHK. BY:	LFS
DRAWING NO.:	TX-4519
SHEET	6 OF 9
NO.	1
DATE	7/14/20
UPDATE TO	2018 IBC/IRC CODE
LFS	BY
REVISIONS	

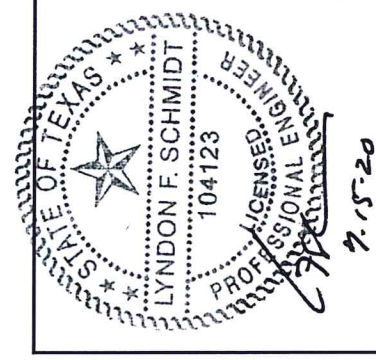


2
7 VERTICAL CROSS SECTION
Inswing sill



1
7 VERTICAL CROSS SECTION

- NOTE:
1. Screws thru head jamb located 3" from each end.
 2. Trim secured with 1" Brad Nail @ 6" O.C. (TYP).

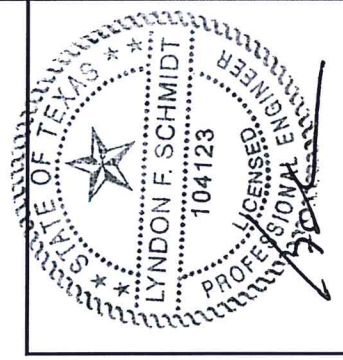


Documents Prepared By: Lyndon F. Schmidt, P.E.
TEXAS P.E. #104123

RW BUILDING CONSULTANTS, INC.
P.O. Box 230 Vairico FL 33595
Phone No.: 813.659.9197

TEXAS BOARD OF PROFESSIONAL ENGINEERS
CERTIFICATE OF REGISTRATION # F-11852

PRODUCT:		TAYLOR FIBERGLASS DOOR	
PART OR ASSEMBLY:		VERTICAL CROSS SECTIONS	
NO.	DATE	DESCRIPTION	BY
1	7/14/20	UPDATE TO 2018 IBC/IRC CODE	LFS
			REVISIONS
DATE: 11/26/14			
SCALE: N.T.S.			
DWG. BY: JK			
CHK. BY: LFS			
DRAWING NO.: TX-4519			
SHEET 7 of 9			



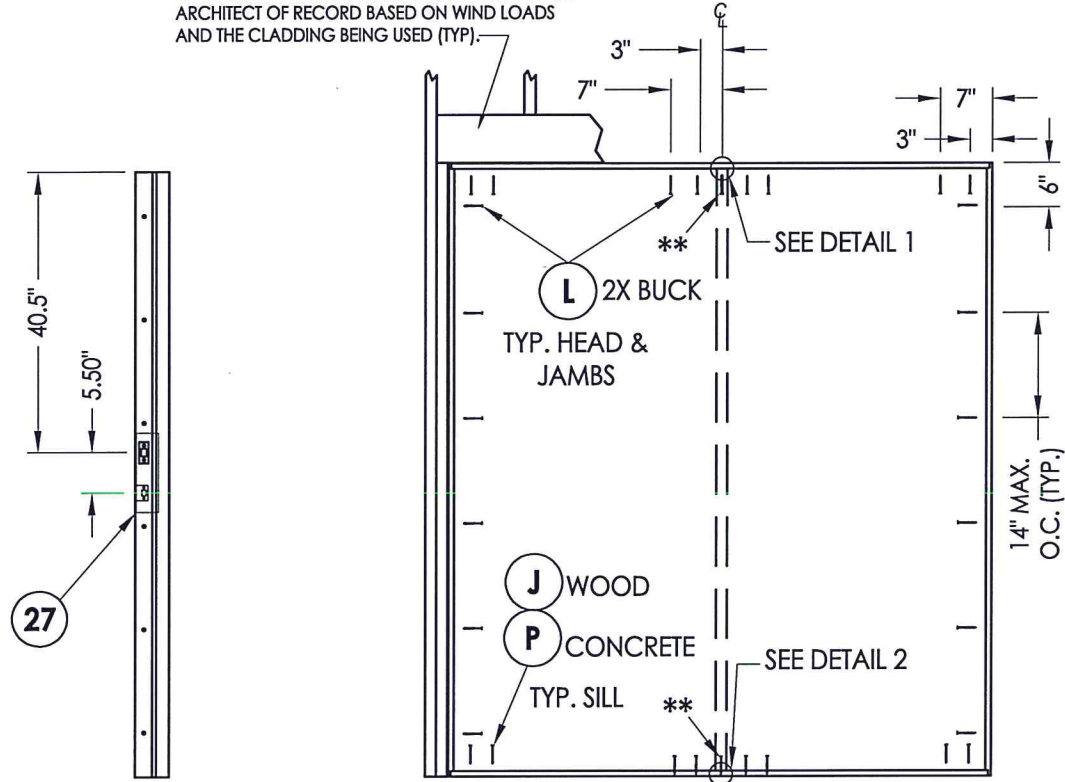
Documents Prepared By: Lyndon F. Schmidt, P.E.
 TEXAS P.E. #104123

RW BUILDING CONSULTANTS, INC.
 P.O. Box 230 Valrico FL 33595
 Phone No.: 813.659.9197

TEXAS BOARD OF PROFESSIONAL ENGINEERS
 CERTIFICATE OF REGISTRATION # F-11852

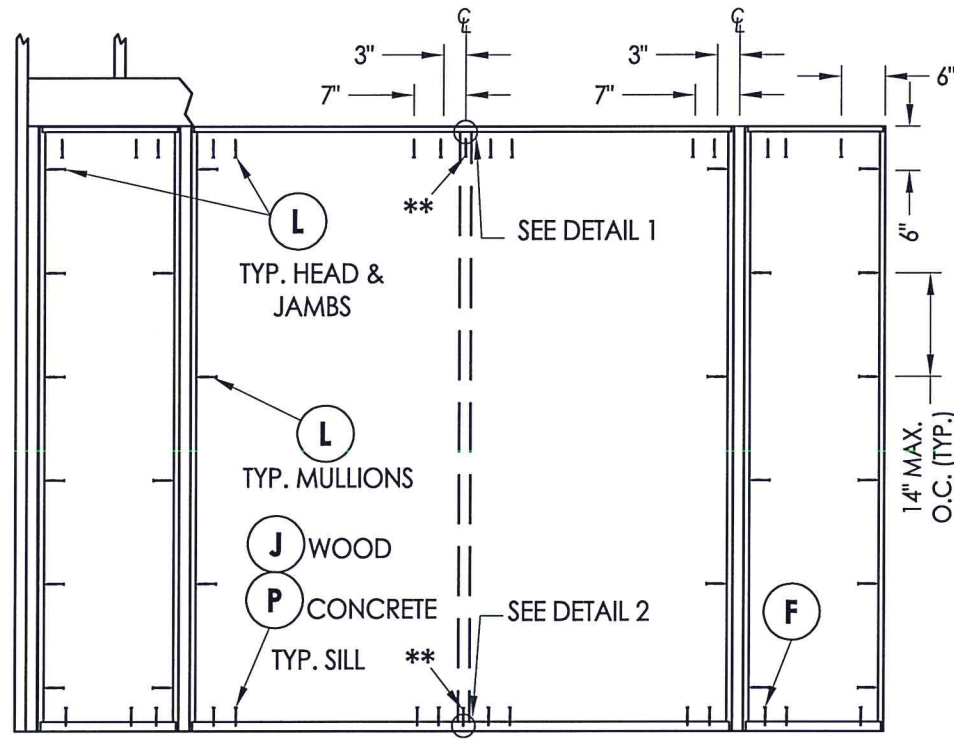
** Additional anchor required
 for DP > 50 PSF only

2X FRAMING TO BE DESIGNED BY THE ENGINEER OR
 ARCHITECT OF RECORD BASED ON WIND LOADS
 AND THE CLADDING BEING USED (TYP).

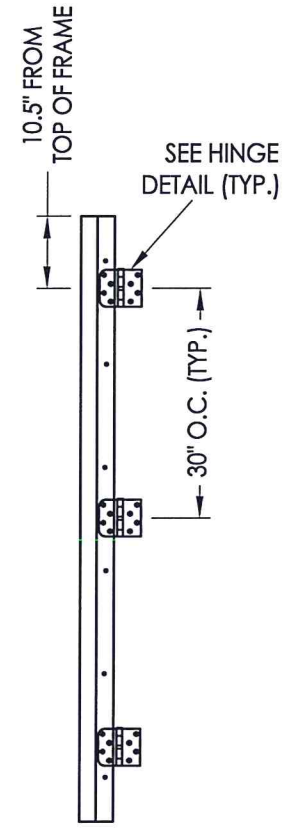


STRIKE JAMB

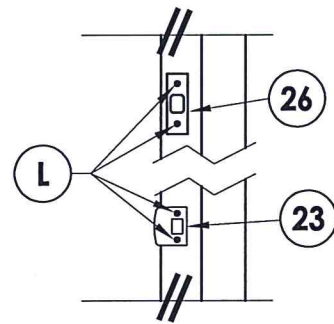
**FRAME ANCHORING
 XX**



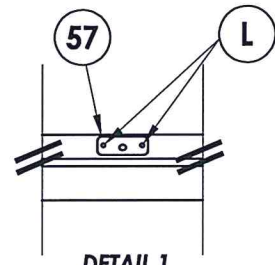
**FRAME ANCHORING
 OXXO**



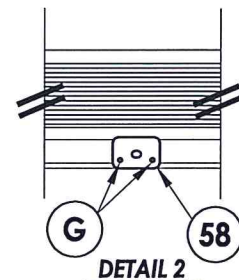
HINGE JAMB



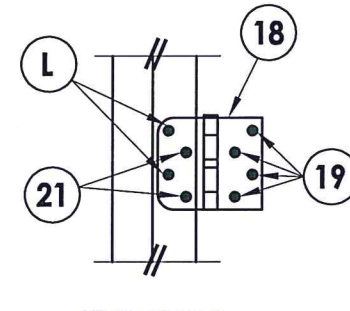
**LATCH & DEADBOLT DETAIL
 Standard Strike**



**DETAIL 1
 Astragal Strike Plate**



**DETAIL 2
 Astragal Strike Plate**



HINGE DETAIL

PRODUCT:		TAYLOR FIBERGLASS DOOR	
PART OR ASSEMBLY:		FRAME ANCHORING	
NO.	DATE	IBC/IRC CODE	BY
1	7/14/20	UPDATE TO 2018 IBC/IRC CODE	LFS
REVISIONS			
DATE: 11/26/14			
SCALE: N.T.S.			
DWG. BY: JK			
CHK. BY: LFS			
DRAWING NO.: TX-4519			
SHEET 8 OF 9			

R:\Clients\Taylor Permanent\B - Texas Dept of Ins\TDI - DR 619 68 & 80 GLZ FG Doors Impact\Drawings\2018 IBC Update\TX-4518-19.dwg, 9 (2)

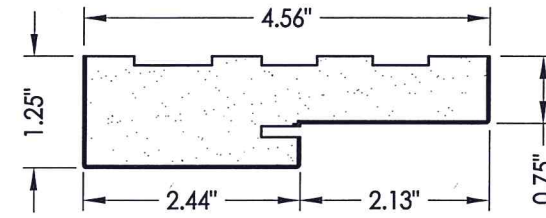
BILL OF MATERIALS

ITEM #	DESCRIPTION	MATERIAL
B	2X FRAMING (G >= 0.42)	WOOD
C	1/4" MAX. SHIM SPACE	-
J	#10 X 3" PFH WOOD SCREW	STEEL
L	#10 X 2-1/2" PFH WOOD SCREW	STEEL
P	1/4" PFH ELCO OR ITW CONCRETE SCREW (1-3/4" MIN. EMBEDMENT)	STEEL
1	JAMB - FINGERJOINT PINE	WOOD
2	JAMB - POLY FIBER	POLY FIBER
6	2X MULLION (G > = 0.55)	WOOD
7	WEATHERSTRIP	FOAM
8	DOOR BOTTOM SWEEP	VINYL
18	4" X 4" HINGE	STEEL
19	#10 X 3/4" PFH WS	STEEL
20	1" BRAD NAIL	STEEL
21	#10 X 3/4" PFH WS (Wood Jamb) #10-24 X 5/8" M.S. W/ 1/2" STAFast INSERT P/N D102413 (Wood or Poly Fiber Jamb) #10-24 X 5/8" M.S. w/ 3/8" STAFast PRONG TEE NUT (Wood or Poly Fiber Jamb)	STEEL
23	LATCH STRIKE PLATE	STEEL
25	#8 X 2-1/2" PFH WOOD SCREW	STEEL
26	DEADBOLT STRIKE PLATE (SECURITY)	STEEL
27	REINFORCEMENT PLATE	STEEL
30	INSWING THRESHOLD	ALUM/COMP
33	ADA THRESHOLD	ALUM
35	SIDELITE ADAPTER	VINYL
40	DOOR PANEL - SEE DOOR PANEL DETAIL SHEET FOR CONSTRUCTION DETAILS	-
50	SIDELITE PANEL - SEE SIDELITE PANEL DETAIL SHEET FOR CONSTRUCTION DETAILS	-
55	SIDELITE TRIM	WOOD
56	ASTRAGAL (IMPERIAL)	ALUM
57	ASTRAGAL STRIKE PLATE (@ HEAD)	STEEL
58	ASTRAGAL STRIKE PLATE (@ SILL)	STEEL

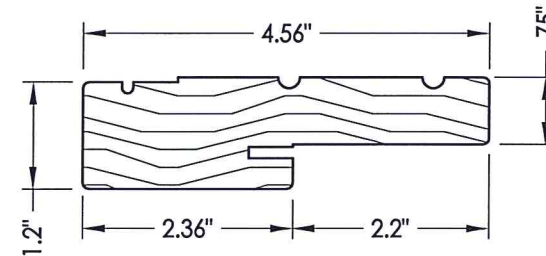
CONCRETE ANCHOR NOTES:

- Concrete anchor locations at the corners may be adjusted to maintain the min. edge distance to mortar joints.
- Concrete anchor locations noted as "MAX. ON CENTER" must be adjusted to maintain the min. edge distance to mortar joints, additional concrete anchors may be required to ensure the "MAX. ON CENTER" dimension are not exceeded.
- Concrete anchor table:

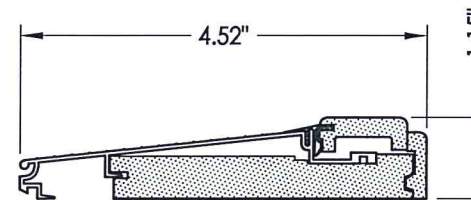
ANCHOR TYPE	ANCHOR SIZE	MIN. EMBEDMENT	MIN. CLEARANCE TO MASONRY EDGE	MIN. CLEARANCE TO ADJACENT ANCHOR
ITW TAPCON®	1/4"	1-3/4"	2-1/2"	3"
ELCO ULTRACON®	1/4"	1-3/4"	1"	3"



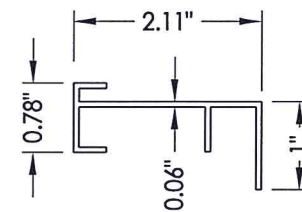
1 POLY FIBER JAMB



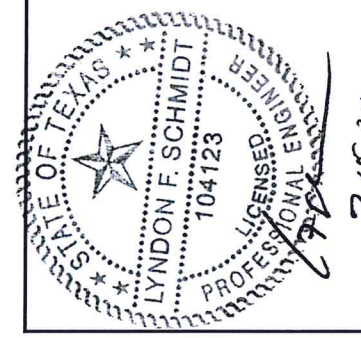
2 WOOD JAMB



30 INSWING THRESHOLD
By Imperial



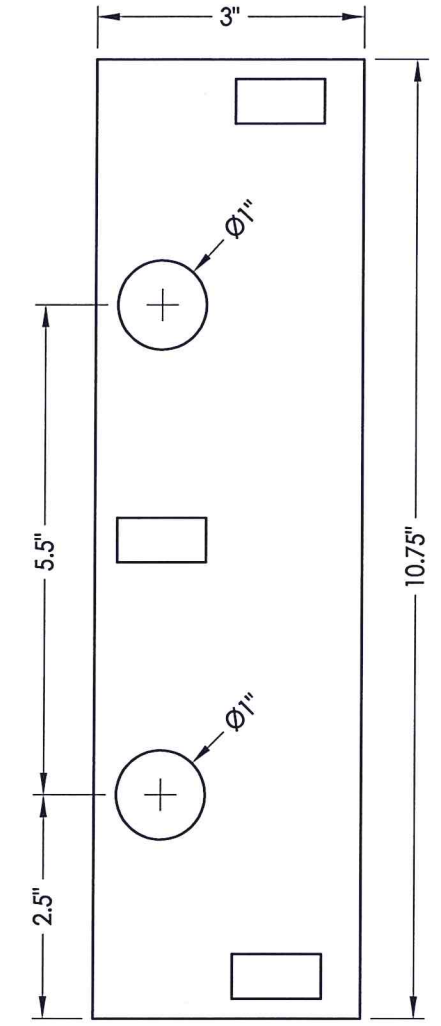
35 SIDELITE ADAPTER



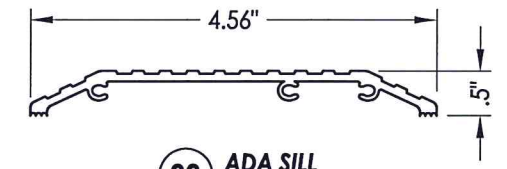
Documents Prepared By: Lyndon F. Schmidt, P.E.
TEXAS P.E. #104123

RW BUILDING CONSULTANTS, INC.
P.O. Box 230 Valrico FL 33595
Phone No.: 813.659.9197

TEXAS BOARD OF PROFESSIONAL ENGINEERS
CERTIFICATE OF REGISTRATION # F-11852



27 REINFORCEMENT PLATE
16 GA.



33 ADA SILL

PRODUCT:	TAYLOR FIBERGLASS DOOR
PART OR ASSEMBLY:	BILL OF MATERIALS AND COMPONENTS
DATE:	11/26/14
SCALE:	N.T.S.
DWG. BY:	JK
CHK. BY:	LFS
DRAWING NO.:	TX-4519
SHEET	9 OF 9

© 2014 R.W. BUILDING CONSULTANTS INC.