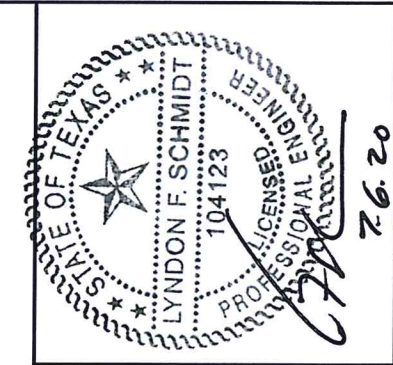




AMERICA'S DOORMAKER
631 N. FIRST ST. WEST BRANCH, MI 48661



Documents Prepared By: Lyndon F. Schmidt, P.E.
TEXAS P.E. #104123

RW BUILDING CONSULTANTS, INC.
P.O. Box 230 Valrico FL 33595
Phone No.: 813.659.9197

TEXAS BOARD OF PROFESSIONAL ENGINEERS
CERTIFICATE OF REGISTRATION # F-11852

TIMBERLINE DELUXE

OPAQUE FIBERGLASS DOUBLE DOOR w/ or w/o SIDELITES

INSWING "NON-IMPACT"

EVALUATED FOR USE IN THE STATE OF TEXAS

The Fiberglass Door system described herein complies with the 2018 International Residential Code (IRC), Sections R301 & R609 and the 2018 International Building Code (IBC), Sections 1404.13, 1609, 1709.5, 2403 and 2404 subject to the following conditions:

1. Anchors shall be as listed and spaced as shown in the details. Anchor embedment to base material shall be beyond wall dressing or stucco.
2. When used in areas requiring wind-borne debris protection this product is required to be protected with an impact resistant covering that complies with Section R301.2.1.2 of the IRC and Section 1609.1.2 of the IBC.
3. Allowable design pressure requirements must be equal to or less than the design pressure rating shown in the design pressure chart, sheet 1 of this drawing.
4. Conditions not covered by this drawing are subject to further engineering analysis.

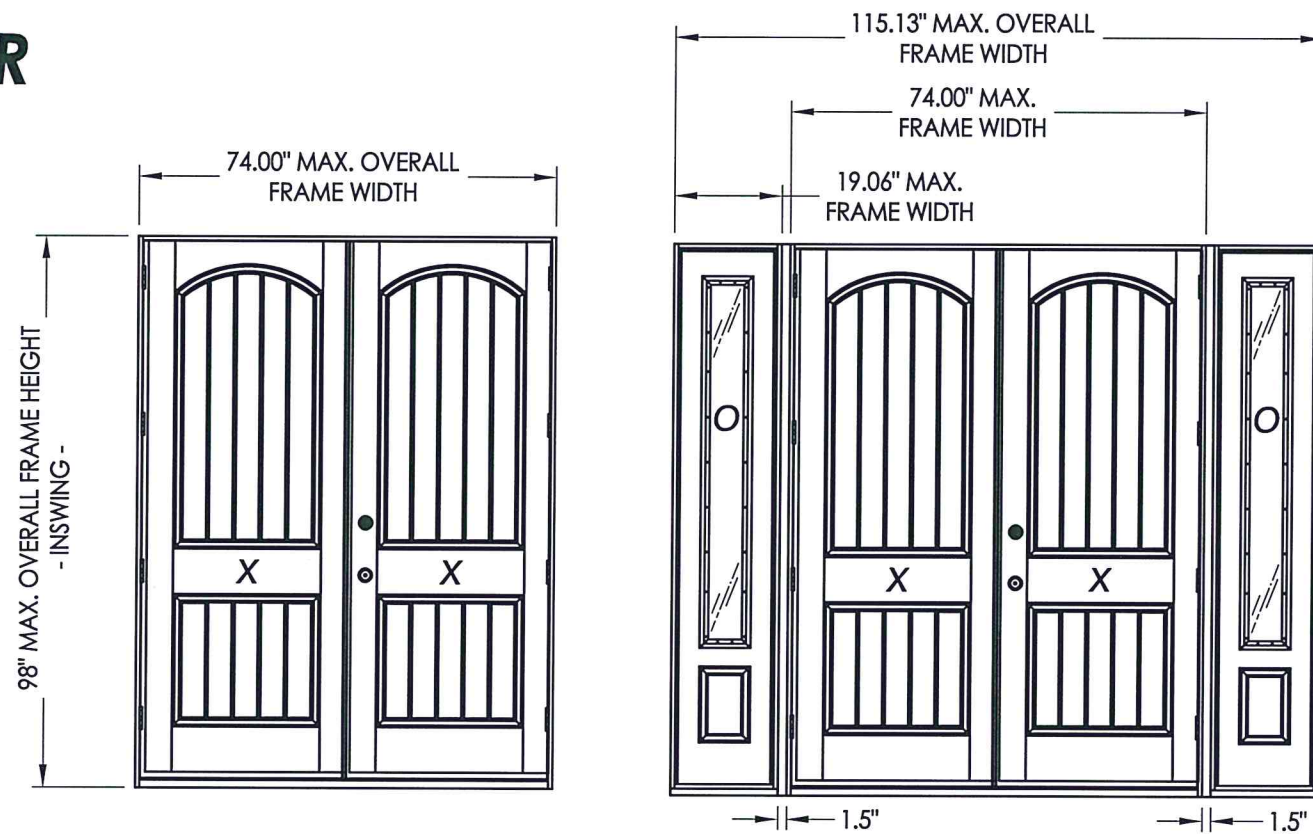


TABLE OF CONTENTS	
SHEET#	DESCRIPTION
1	Typical elevations, design pressures & general notes
2	Door panel details
3	Sidelite panel details and glazing detail
4	Elevations
5	Horizontal cross sections
6	Vertical cross sections
7	Vertical cross sections
8	Frame anchoring
9	Bill of materials and components

CONFIGURATION	MAX. FRAME DIMENSION	MAX. D.L.O. DIMENSION	DESIGN PRESSURE (PSF) INSWING	
			POSITIVE	NEGATIVE
XX	74.00" x 98.00"	N/A	+45.0	-45.0
OXXO	115.13" x 98.00"	7.0" x 63.13"	+45.0	-45.0

PRODUCT: TAYLOR FIBERGLASS DOOR

PART OR ASSEMBLY: TYPICAL ELEVATION, DESIGN PRESSURES & GENERAL NOTES

NO.	DATE	DESCRIPTION	BY
1	7/06/20	UPDATE TO 2018 IBC/IRC CODE	LFS

REVISIONS

DATE: 11/26/14

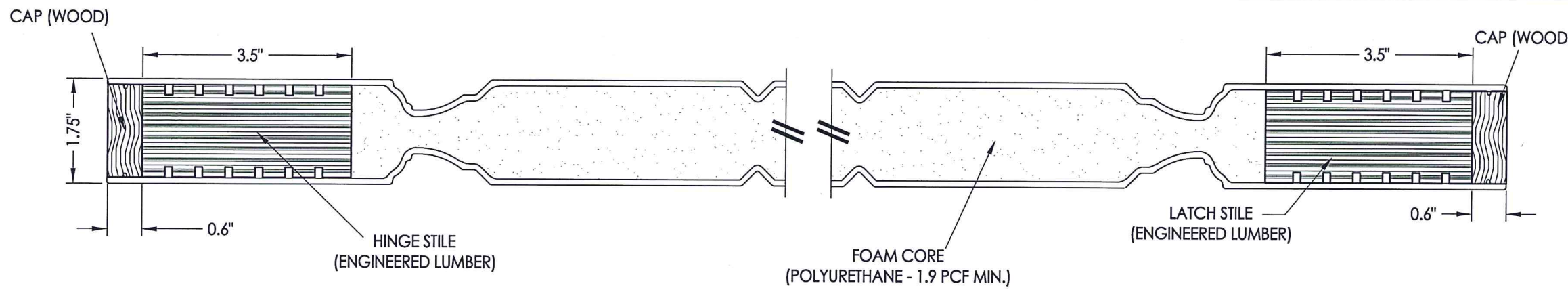
SCALE: N.T.S.

DWG. BY: JK

CHK. BY: LFS

DRAWING NO.: TX-4517

SHEET 1 OF 9



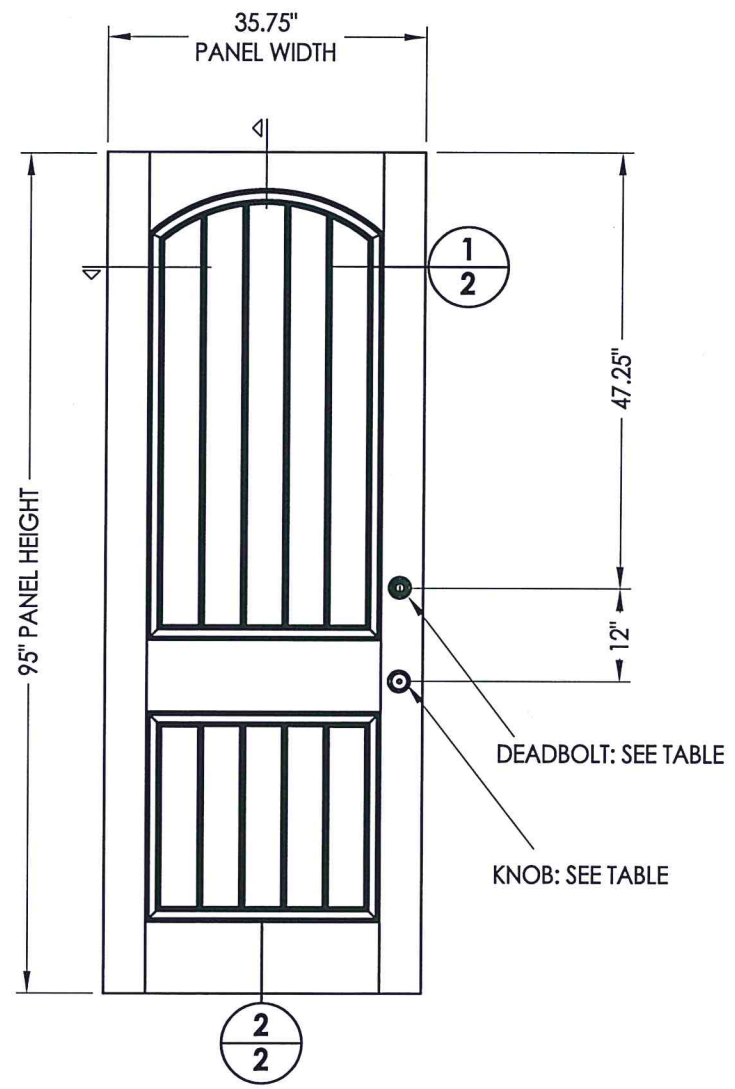
1
2 **HORIZONTAL CROSS SECTION**



Documents Prepared By: Lyndon F. Schmidt, P.E.
TEXAS P.E. #104123

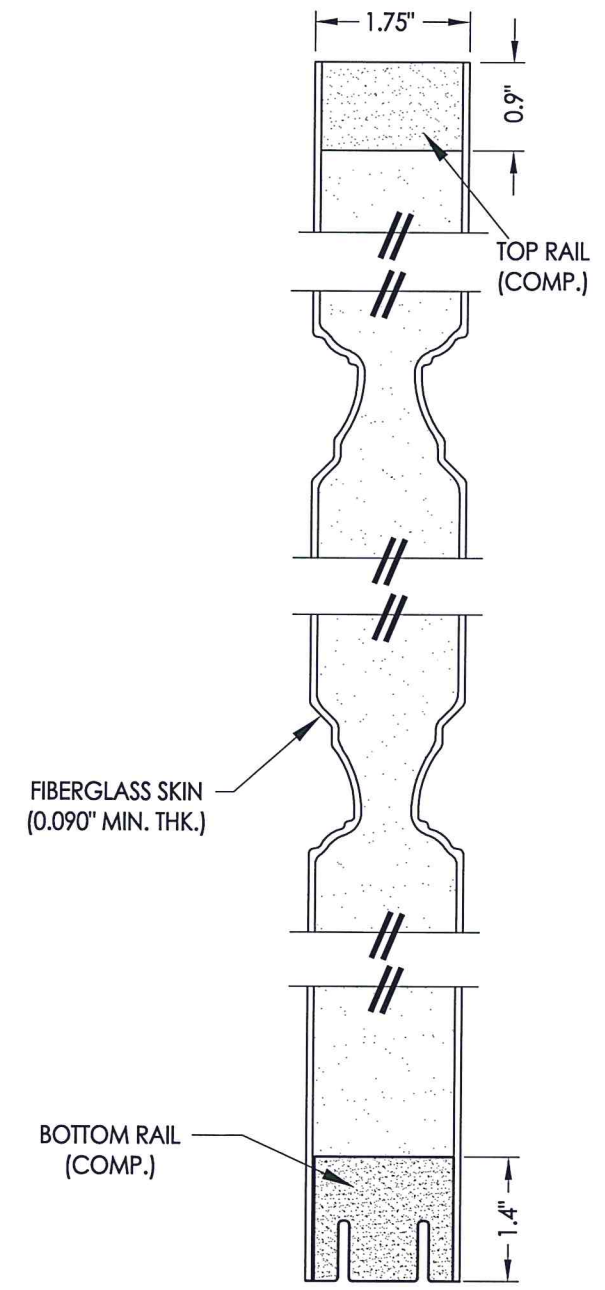
RW BUILDING CONSULTANTS, INC.
P.O. Box 230 Valrico FL 33595
Phone No.: 813.659.9197

TEXAS BOARD OF PROFESSIONAL ENGINEERS
CERTIFICATE OF REGISTRATION # F-11852



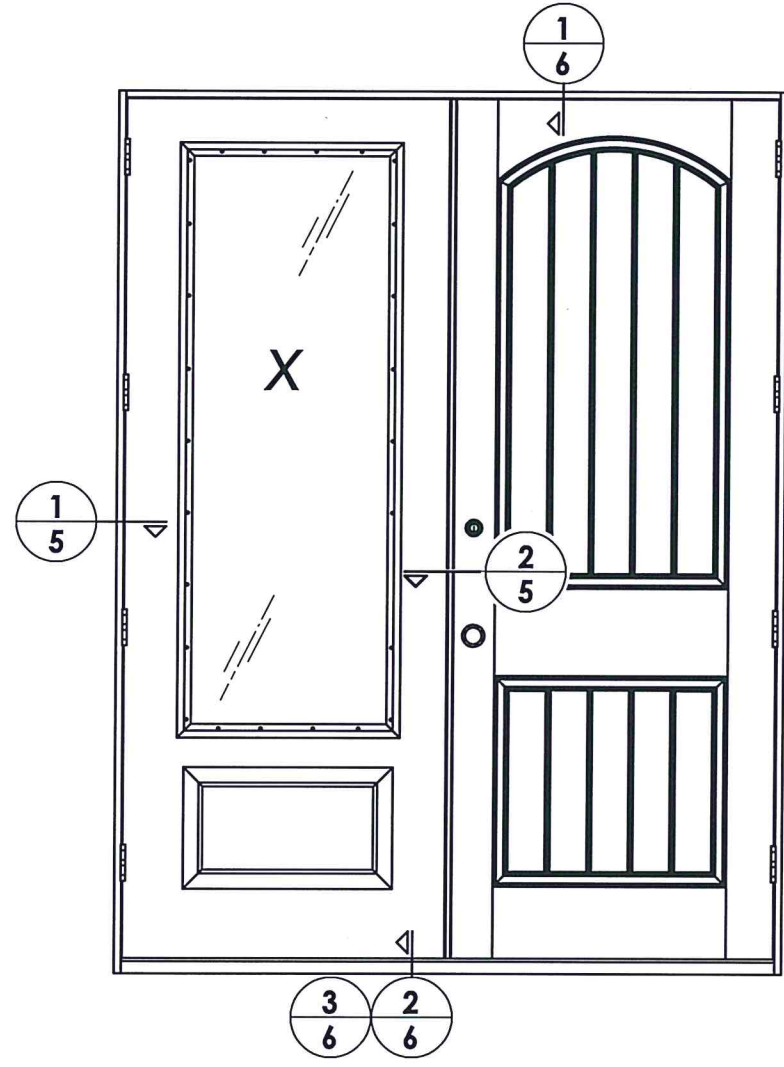
40 **DOOR PANEL**
Taylor Door
w/ Mastergrain Fiberglass skins

HARDWARE TABLE		
MANUFACTURER	MODEL	
KWIKSET	KNOB: KWIKSET SIGNATURE SERIES DEADBOLT: KWIKSET SIGNATURE SERIES (980)	
SCHLAGE	KNOB: "F" SERIES DEADBOLT: "B" SERIES	
COPPER CREEK	KNOB: E-SERIES DEADBOLT: E-SERIES	

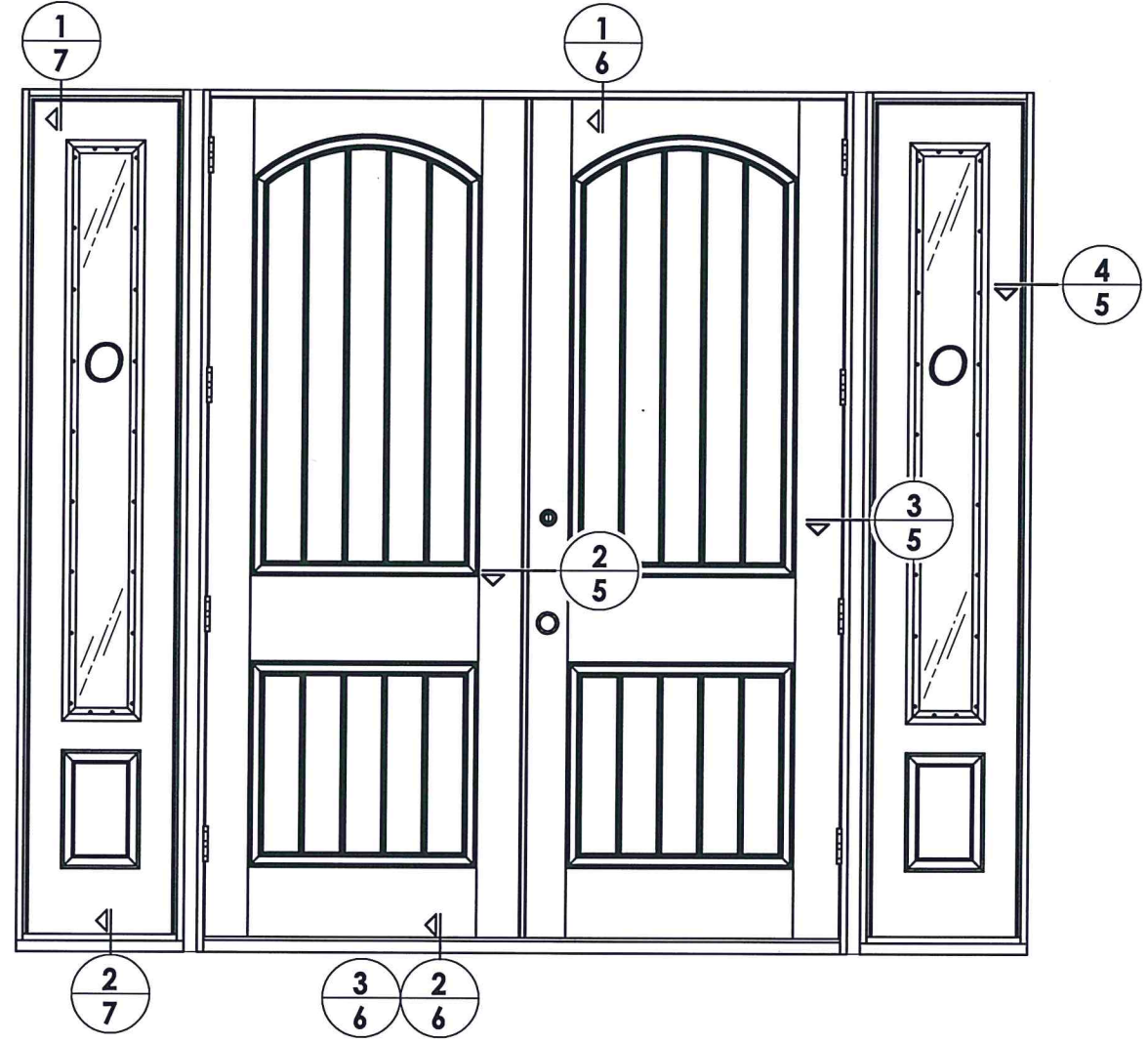


2
2 **VERTICAL CROSS SECTION**

PRODUCT:	TAYLOR FIBERGLASS DOOR
PART OR ASSEMBLY:	DOOR PANEL DETAILS AND GLAZING DETAIL
DATE:	11/26/14
SCALE:	N.T.S.
DWG. BY:	JK
CHK. BY:	LFS
DRAWING NO.:	TX-4517
SHEET	2 OF 9



ELEVATION (XX)



ELEVATION (OXXO)



Documents Prepared By: Lyndon F. Schmidt, P.E.
 TEXAS P.E. #104123

RW BUILDING CONSULTANTS, INC.
 P.O. Box 230 Valrico FL 33595
 Phone No.: 813.659.9197

TEXAS BOARD OF PROFESSIONAL ENGINEERS
 CERTIFICATE OF REGISTRATION # F-11852

PRODUCT: TAYLOR FIBERGLASS DOOR

PART OR ASSEMBLY: ELEVATIONS

REVISIONS	
NO.	DATE
1	7/06/20
	UPDATE TO 2018 IBC/IRC CODE
	LFS
	BY

DATE: 11/26/14

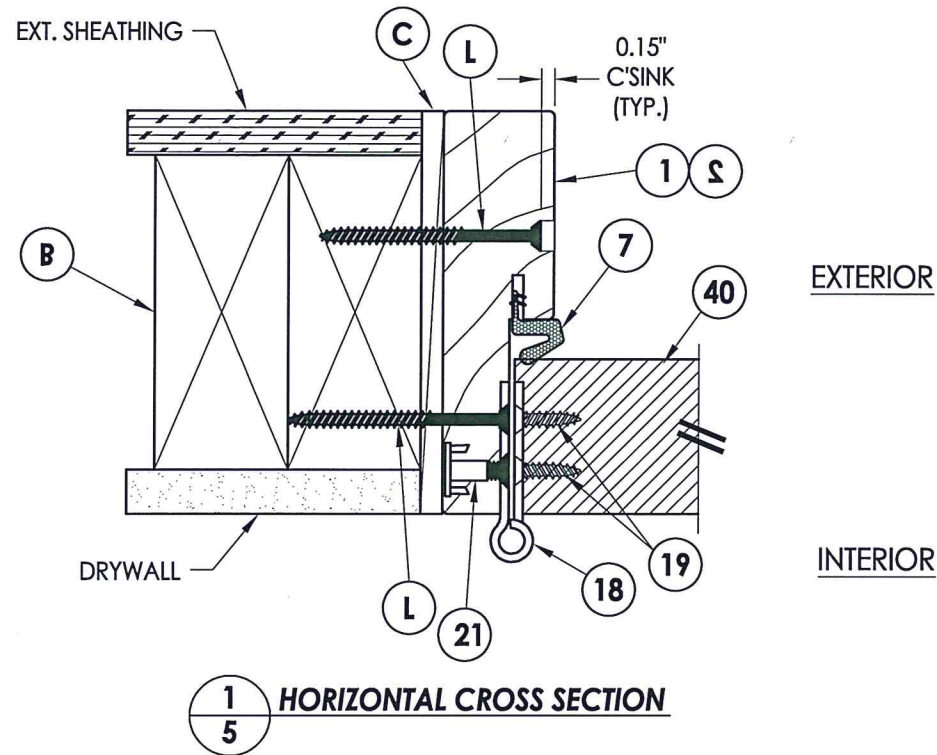
SCALE: N.T.S.

DWG. BY: JK

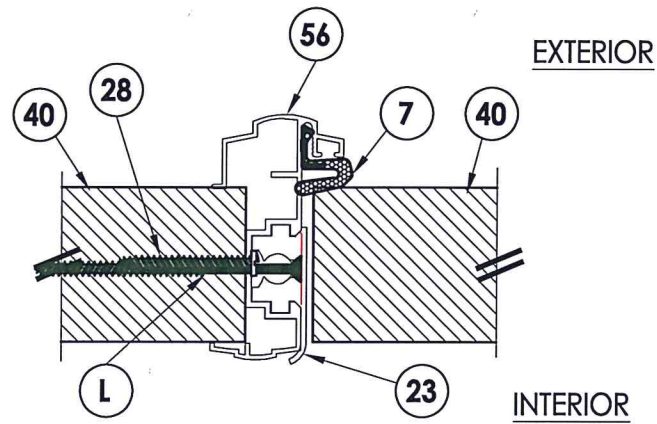
CHK. BY: LFS

DRAWING NO.: TX-4517

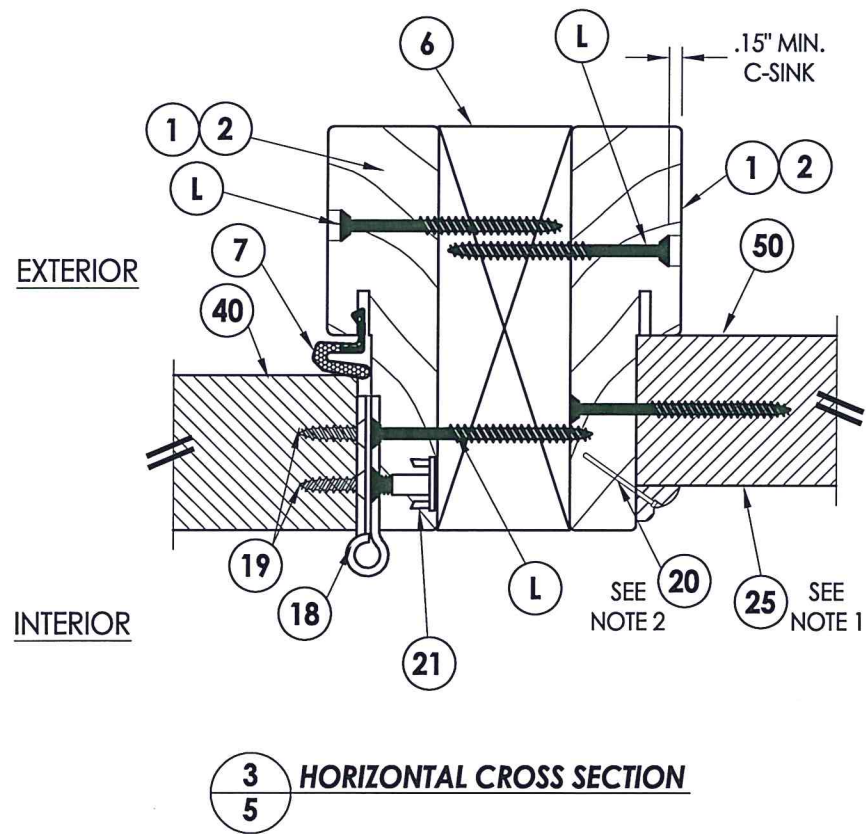
SHEET 4 OF 9



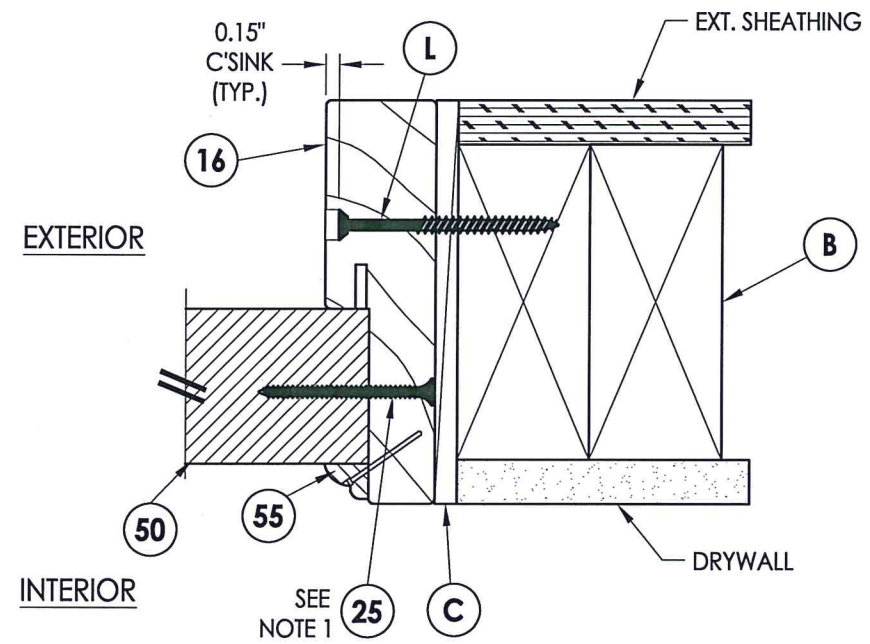
1
5 HORIZONTAL CROSS SECTION



2
5 HORIZONTAL CROSS SECTION



3
5 HORIZONTAL CROSS SECTION



4
5 HORIZONTAL CROSS SECTION

NOTE:

1. Sidelite ass'y fastener; 6" from each end and 6 more screws equally spaced between. (8 screws total per jamb.)
2. Trim secured with 1" Brad Nail @ 6" O.C. (TYP.)



Documents Prepared By: Lyndon F. Schmidt, P.E.
TEXAS P.E. #104123

RW BUILDING CONSULTANTS, INC.
P.O. Box 250 Valrico FL 33595
Phone No.: 813.659.9197
TEXAS BOARD OF PROFESSIONAL ENGINEERS
CERTIFICATE OF REGISTRATION # F-11852

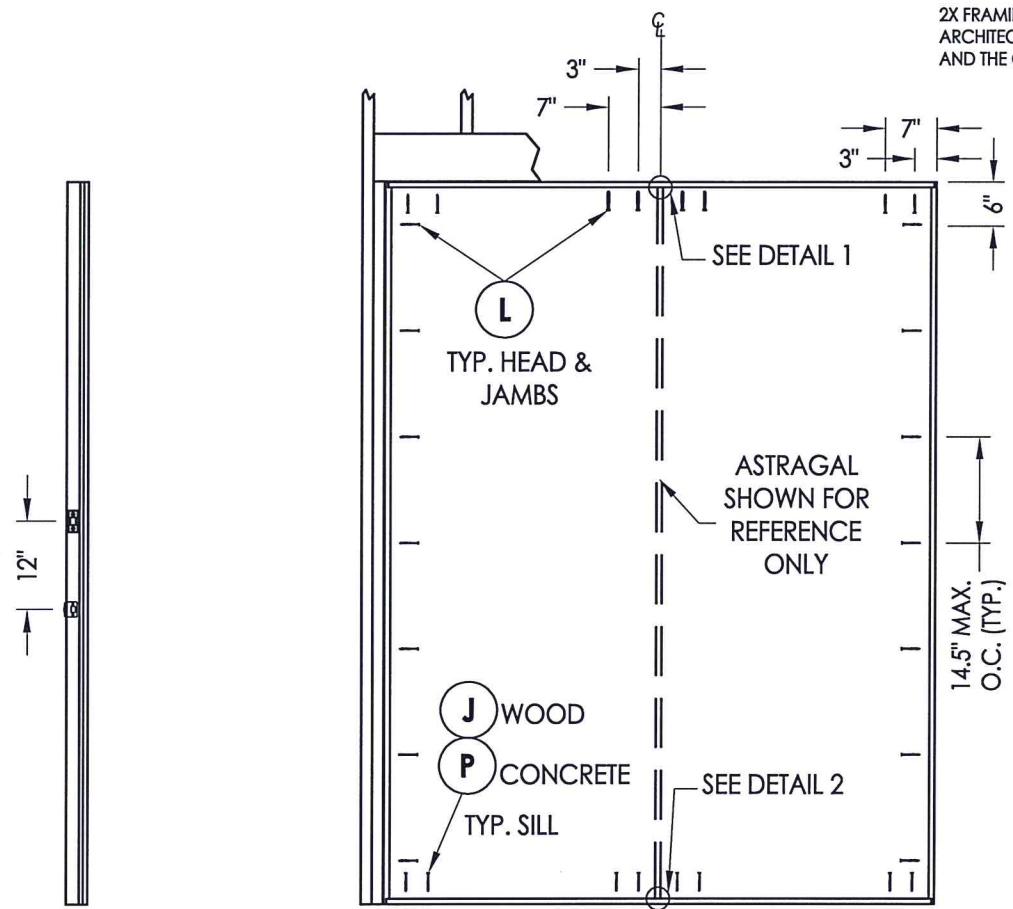
PRODUCT:		TAYLOR FIBERGLASS DOOR	
PART OR ASSEMBLY:		HORIZONTAL CROSS SECTIONS	
NO.	DATE	BY	REVISIONS
1	7/06/20	LFS	UPDATE TO 2018 IBC/IRC CODE
DATE: 11/26/14			
SCALE: N.T.S.			
DWG. BY: JK			
CHK. BY: LFS			
DRAWING NO.: TX-4517			
SHEET 5 OF 9			

R:\Clients\Taylor Permanent\B - Texas Dept of Ins\TDI - DR 618 618 & 810 Opaque FG Doors Non-Impact\Drawings\2018 IBC Update\TX-4516-17.dwg, 8 (2)



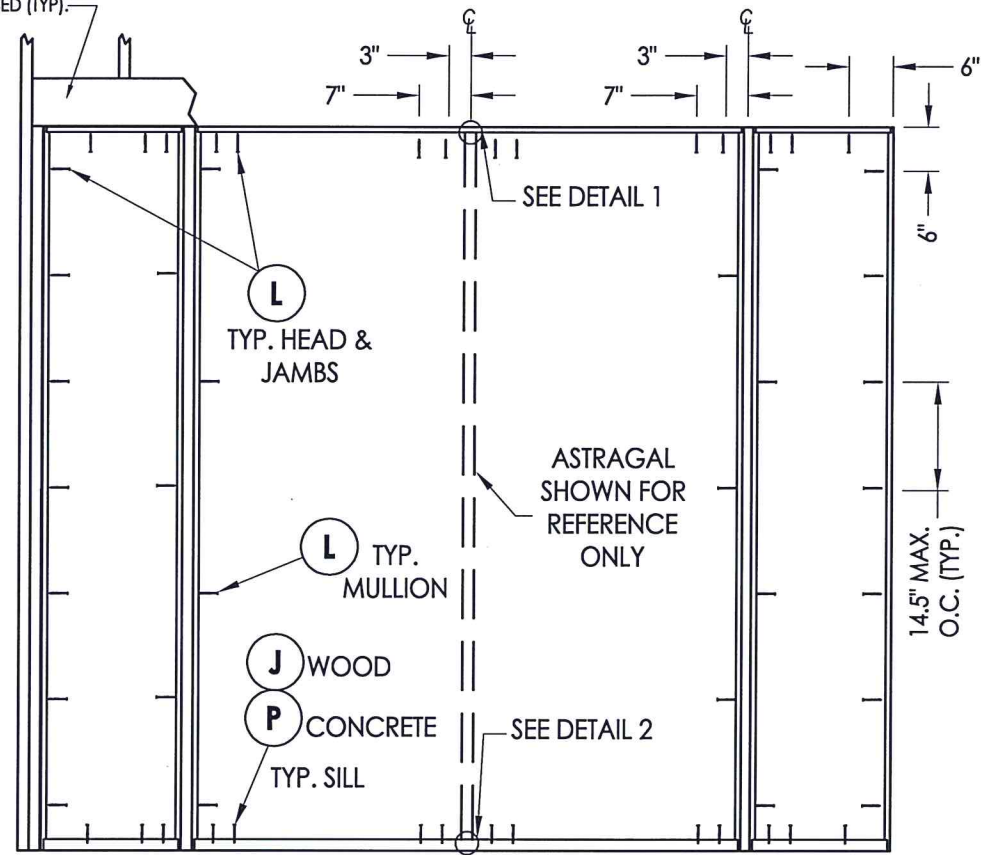
Documents Prepared By: Lyndon F. Schmidt, P.E.
 TEXAS P.E. #104123
 R.W. BUILDING CONSULTANTS, INC.
 P.O. Box 230 Valrico FL 33595
 Phone No.: 813.659.9197
 TEXAS BOARD OF PROFESSIONAL ENGINEERS
 CERTIFICATE OF REGISTRATION # F-11852

2X FRAMING TO BE DESIGNED BY THE ENGINEER OR ARCHITECT OF RECORD BASED ON WIND LOADS AND THE CLADDING BEING USED (TYP.)

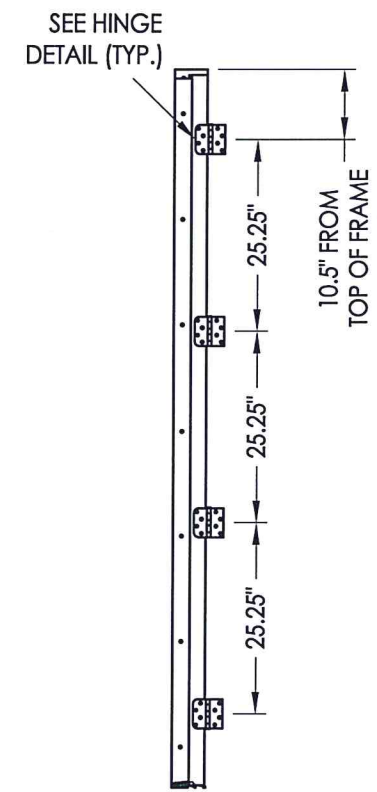


ASTRAGAL

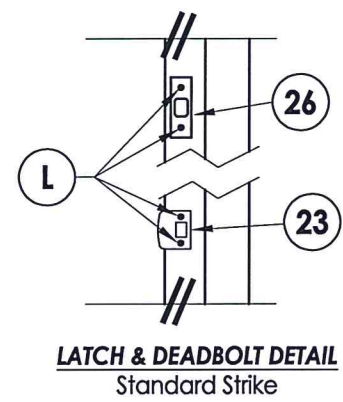
**FRAME ANCHORING
XX**



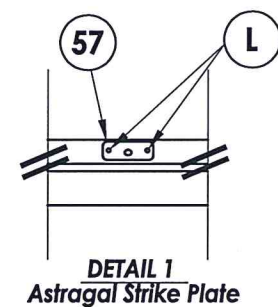
**FRAME ANCHORING
OXO**



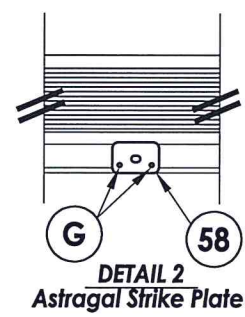
HINGE JAMB



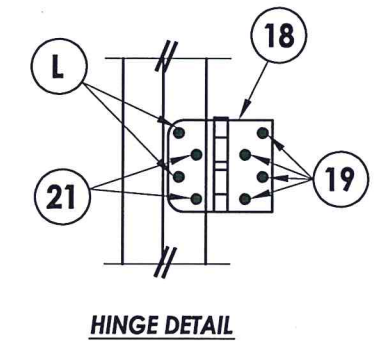
**LATCH & DEADBOLT DETAIL
Standard Strike**



**DETAIL 1
Astragal Strike Plate**



**DETAIL 2
Astragal Strike Plate**



HINGE DETAIL

PRODUCT:		TAYLOR FIBERGLASS DOOR	
PART OR ASSEMBLY:		FRAME ANCHORING	
NO.	DATE	BY	REVISIONS
1	7/06/20	LFS	UPDATE TO 2018 IBC/IRC CODE
DATE: 11/26/14			
SCALE: N.T.S.			
DWG. BY: JK			
CHK. BY: LFS			
DRAWING NO.: TX-4517			
SHEET 8 OF 9			

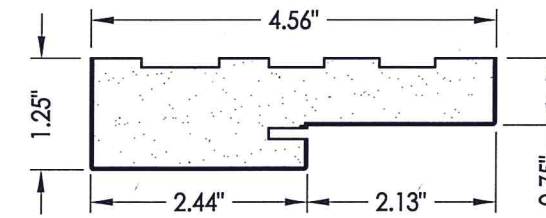
© 2014 R.W. BUILDING CONSULTANTS INC.

BILL OF MATERIALS		
ITEM #	DESCRIPTION	MATERIAL
B	2X FRAMING (G >= 0.42)	WOOD
C	1/4" MAX. SHIM SPACE	-
J	#10 X 3" PFH WOOD SCREW	STEEL
L	#10 X 2-1/2" PFH WOOD SCREW	STEEL
P	1/4" PFH ELCO OR ITW CONCRETE SCREW (1-3/4" MIN. EMBEDMENT)	STEEL
1	JAMB - FINGERJOINT PINE	WOOD
2	JAMB - POLY FIBER	POLY FIBER
6	2X MULLION (G >= 0.55)	WOOD
7	WEATHERSTRIP	FOAM
8	DOOR BOTTOM SWEEP	VINYL
18	4" X 4" HINGE	STEEL
19	#10 X 3/4" PFH WS	STEEL
20	1" BRAD NAIL	STEEL
21	#10 X 3/4" PFH WS (Wood Jamb) #10-24 X 5/8" M.S. W/ 1/2" STAFast INSERT P/N D102413 (Wood or Poly Fiber Jamb) #10-24 X 5/8" M.S. w/ 3/8" STAFast PRONG TEE NUT (Wood or Poly Fiber Jamb)	STEEL
23	LATCH STRIKE PLATE	STEEL
25	#8 X 2-1/2" PFH WOOD SCREW	STEEL
26	DEADBOLT STRIKE PLATE (SECURITY)	STEEL
27	REINFORCEMENT PLATE	STEEL
30	INSWING THRESHOLD	ALUM/COMP
33	ADA THRESHOLD	ALUM
35	SIDELITE ADAPTER	VINYL
40	DOOR PANEL - SEE DOOR PANEL DETAIL SHEET FOR CONSTRUCTION DETAILS	-
50	SIDELITE PANEL - SEE SIDELITE PANEL DETAIL SHEET FOR CONSTRUCTION DETAILS	-
55	SIDELITE TRIM	WOOD
56	ASTRAGAL (IMPERIAL)	ALUM
57	ASTRAGAL STRIKE PLATE (@ HEAD)	STEEL
58	ASTRAGAL STRIKE PLATE (@ SILL)	STEEL

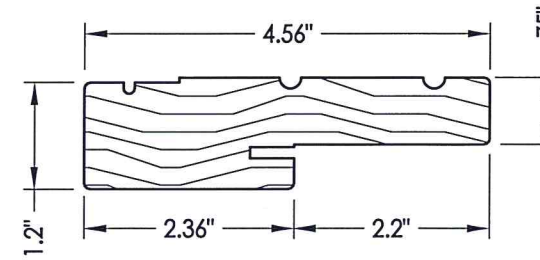
CONCRETE ANCHOR NOTES:

- Concrete anchor locations at the corners may be adjusted to maintain the min. edge distance to mortar joints.
- Concrete anchor locations noted as "MAX. ON CENTER" must be adjusted to maintain the min. edge distance to mortar joints, additional concrete anchors may be required to ensure the "MAX. ON CENTER" dimension are not exceeded.
- Concrete anchor table:

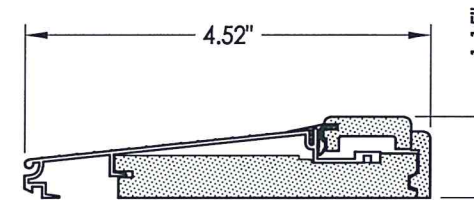
ANCHOR TYPE	ANCHOR SIZE	MIN. EMBEDMENT	MIN. CLEARANCE TO MASONRY EDGE	MIN. CLEARANCE TO ADJACENT ANCHOR
ITW TAPCON®	1/4"	1-3/4"	2-1/2"	3"
ELCO ULTRACON®	1/4"	1-3/4"	1"	3"



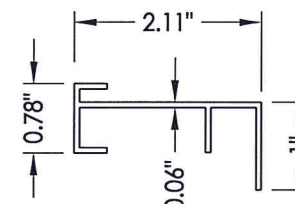
1 POLY FIBER JAMB



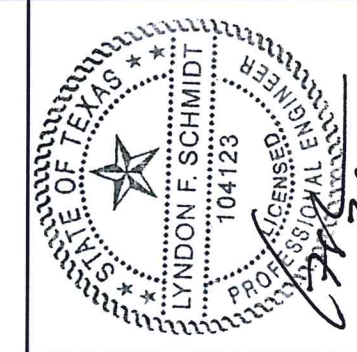
2 WOOD JAMB



30 INSWING THRESHOLD
By Imperial

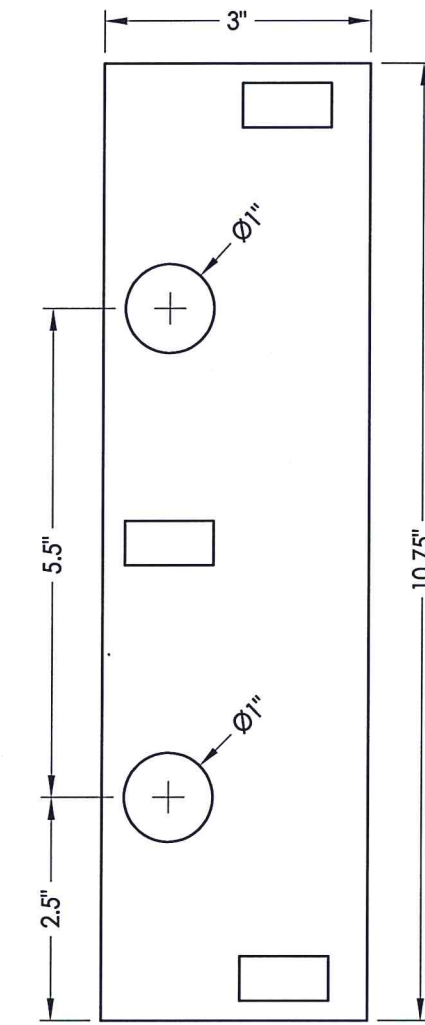


35 SIDELITE ADAPTER

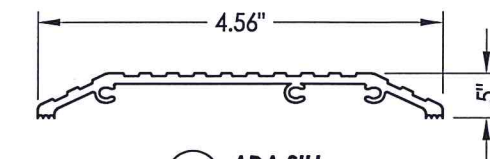


Documents Prepared By: Lyndon F. Schmidt, P.E.
TEXAS P.E. #104123

RW BUILDING CONSULTANTS, INC.
P.O. Box 230 Valrico FL 33595
Phone No.: 813.659.9197
TEXAS BOARD OF PROFESSIONAL ENGINEERS
CERTIFICATE OF REGISTRATION # F-11852



27 REINFORCEMENT PLATE
16 GA.



33 ADA SILL

PRODUCT:	TAYLOR FIBERGLASS DOOR	
PART OR ASSEMBLY:	BILL OF MATERIALS AND COMPONENTS	
NO.	DATE	DESCRIPTION
1	7/06/20	UPDATE TO 2018 IBC/IRC CODE
		LFS
		BY
DATE: 11/26/14		
SCALE: N.T.S.		
DWG. BY: JK		
CHK. BY: LFS		
DRAWING NO.: TX-4517		
SHEET 9 OF 9		