



AMERICA'S DOORMAKER  
631 N. FIRST ST. WEST BRANCH, MI 48661



Documents Prepared By: Lyndon F. Schmidt, P.E.  
TEXAS P.E. #104123  
  
R.W. BUILDING CONSULTANTS, INC.  
P.O. Box 230 Valrico FL 33595  
Phone No.: 813.659.9197  
TEXAS BOARD OF PROFESSIONAL ENGINEERS  
CERTIFICATE OF REGISTRATION # F-11852

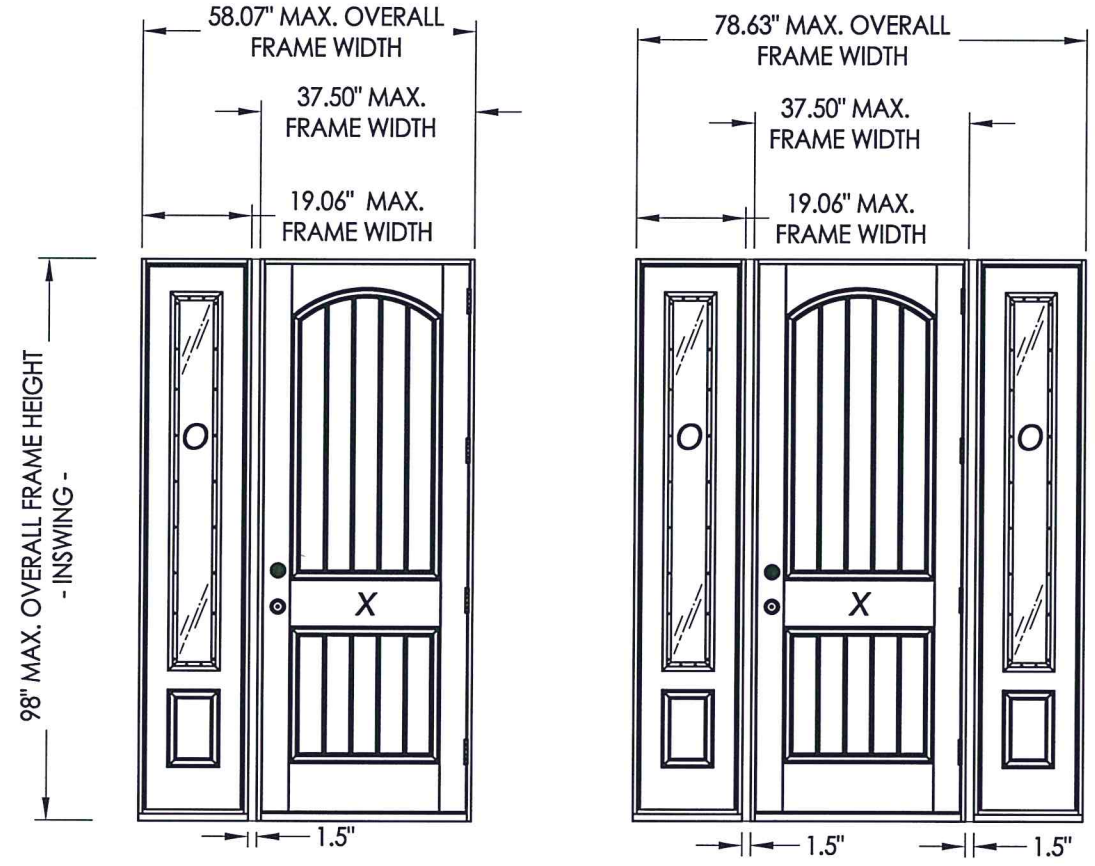
# TIMBERLINE DELUXE

## OPAQUE FIBERGLASS SINGLE DOOR

### w/ or w/o SIDELITES

### IN SWING

### "NON-IMPACT"



EVALUATED FOR USE IN THE STATE OF TEXAS  
The Fiberglass Door system described herein complies with the 2018 International Residential Code (IRC), Sections R301 & R609 and the 2018 International Building Code (IBC), Sections 1404.13, 1609, 1709.5, 2403 and 2404 subject to the following conditions:

1. Anchors shall be as listed and spaced as shown in the details. Anchor embedment to base material shall be beyond wall dressing or stucco.
2. When used in areas requiring wind-borne debris protection this product is required to be protected with an impact resistant covering that complies with Section R301.2.1.2 of the IRC and Section 1609.1.2 of the IBC.
3. Allowable design pressure requirements must be equal to or less than the design pressure rating shown in the design pressure chart, sheet 1 of this drawing.
4. Conditions not covered by this drawing are subject to further engineering analysis.

TABLE OF CONTENTS	
SHEET#	DESCRIPTION
1	Typical elevations, design pressures & general notes
2	Door panel details
3	Sidelite panel details and glazing detail
4	Elevations
5	Horizontal cross sections
6	Vertical cross sections
7	Vertical cross sections
8	Frame anchoring
9	Bill of materials and components

CONFIGURATION	MAX. FRAME DIMENSION	MAX. D.L.O. DIMENSION	DESIGN PRESSURE (PSF) INSWING	
			POSITIVE	NEGATIVE
OX / XO	58.07" x 98.00"	7.0" x 63.12"	+55.0	-60.0
OXO	78.63" x 98.00"	7.0" x 63.12"	+55.0	-60.0

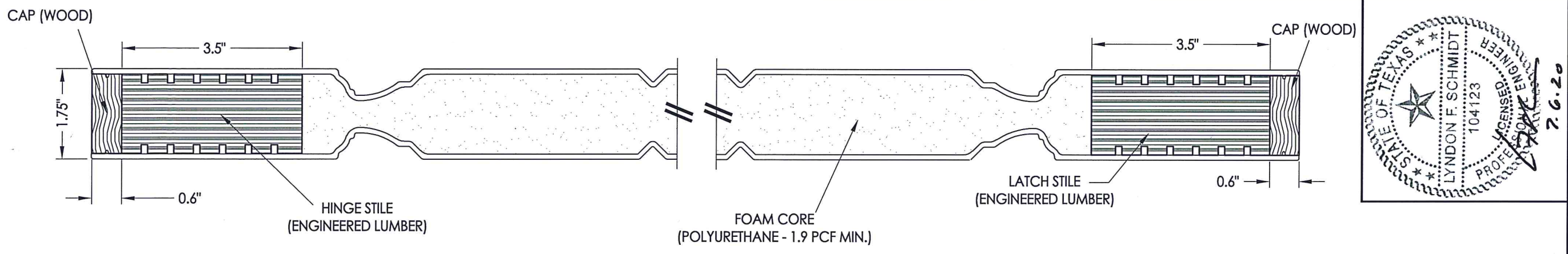
PRODUCT: TAYLOR FIBERGLASS DOOR  
PART OR ASSEMBLY: TYPICAL ELEVATION, DESIGN PRESSURES & GENERAL NOTES

NO.	DATE	BY	REVISIONS
1	7/06/20	LFS	UPDATE TO 2018 IBC/IRC CODE

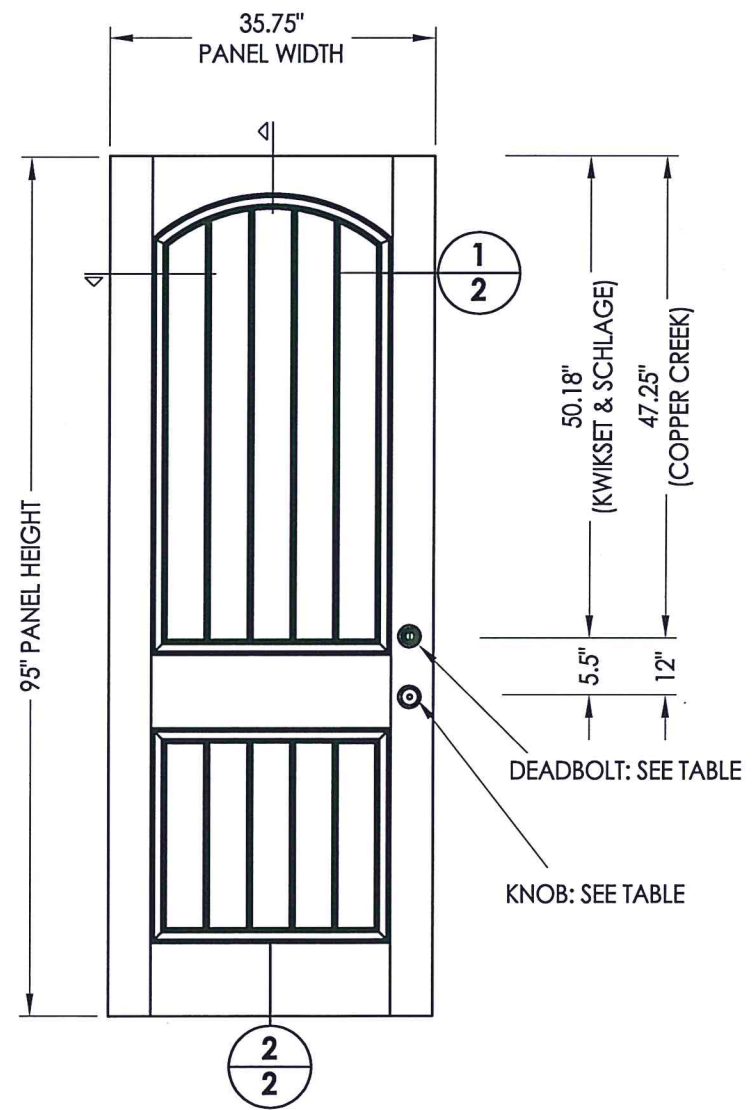
DATE: 11/26/14  
SCALE: N.T.S.  
DWG. BY: JK  
CHK. BY: LFS  
DRAWING NO.: TX-4516  
SHEET 1 OF 9



R:\Clients\Taylor Permanent\B - Texas Dept of Ins\TDI - DR 618 68 & 8'0 Opaque FG Doors Non-Impact\Drawings\2018 IBC Update\TX-4516-17.dwg, 2

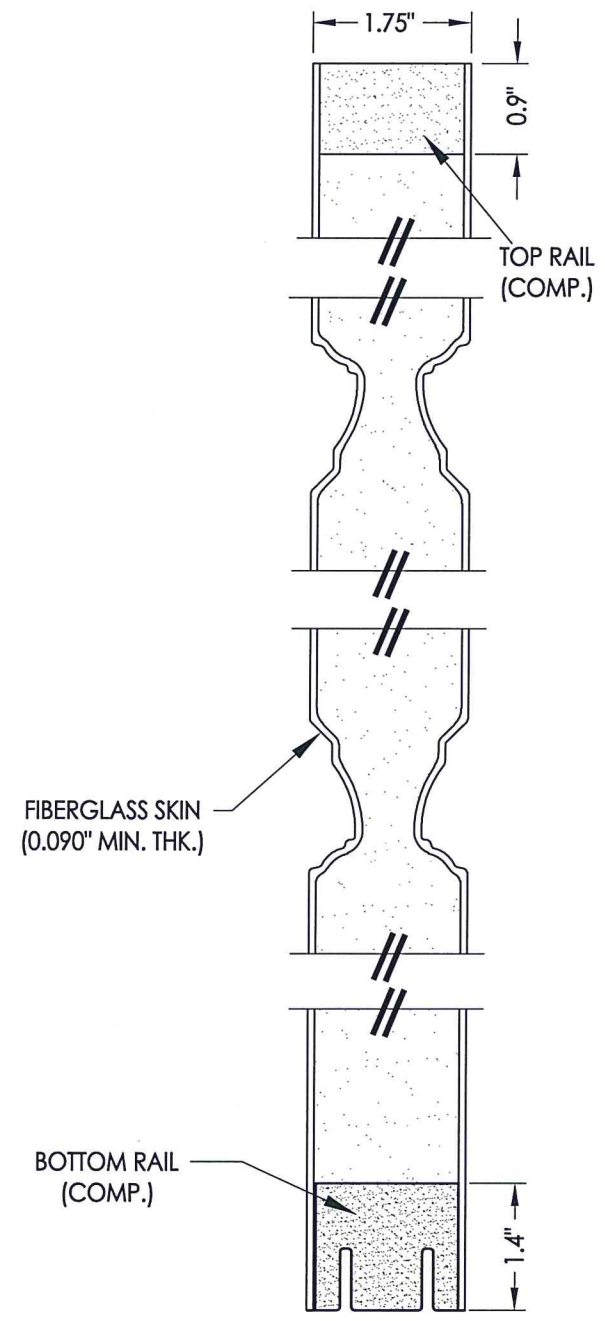


**1**  
**2** HORIZONTAL CROSS SECTION



**40** DOOR PANEL  
Taylor Door  
w/ Mastergrain Fiberglass skins

HARDWARE TABLE		
MANUFACTURER	MODEL	
KWIKSET	KNOB:	KWIKSET SIGNATURE SERIES
	DEADBOLT:	KWIKSET SIGNATURE SERIES (980)
SCHLAGE	KNOB:	"F" SERIES
	DEADBOLT:	"B" SERIES
COPPER CREEK	KNOB:	E-SERIES
	DEADBOLT:	E-SERIES



**2**  
**2** VERTICAL CROSS SECTION

Documents Prepared By: Lyndon F. Schmidt, P.E.  
TEXAS P.E. #104123

**RW** BUILDING CONSULTANTS, INC.  
P.O. Box 230 Vairico FL 33595  
Phone No.: 813.659.9197

TEXAS BOARD OF PROFESSIONAL ENGINEERS  
CERTIFICATE OF REGISTRATION # F-11852

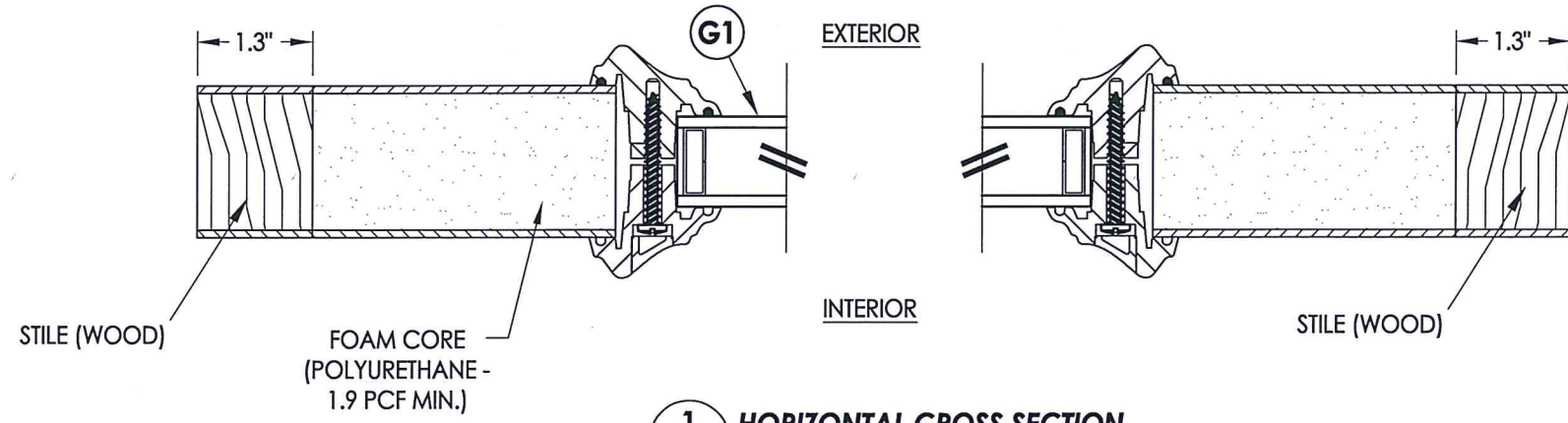
PRODUCT: TAYLOR FIBERGLASS DOOR

PART OR ASSEMBLY: DOOR PANEL DETAILS AND GLAZING DETAIL

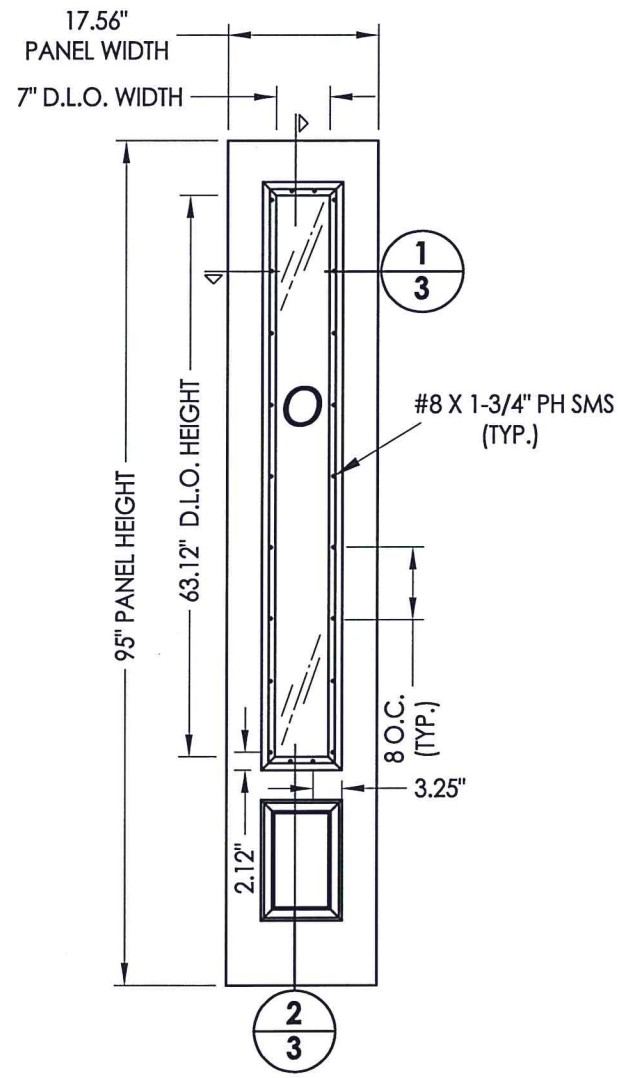
REVISIONS	
NO.	DATE
1	7/06/20
LFS	BY

DATE: 11/26/14  
SCALE: N.T.S.  
DWG. BY: JK  
CHK. BY: LFS  
DRAWING NO.: TX-4516  
SHEET 2 OF 9

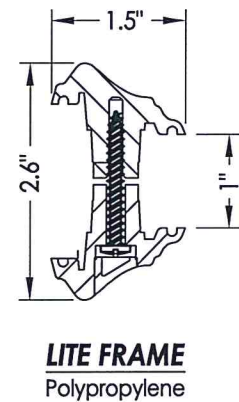
R:\Clients\Taylor Permanent\B - Texas Dept of Ins\TDI - DR 618 68 & 8'0 Opaque FG Doors Non-Impact\Drawings\2018 IBC Update\TX-4516-17.dwg, 3



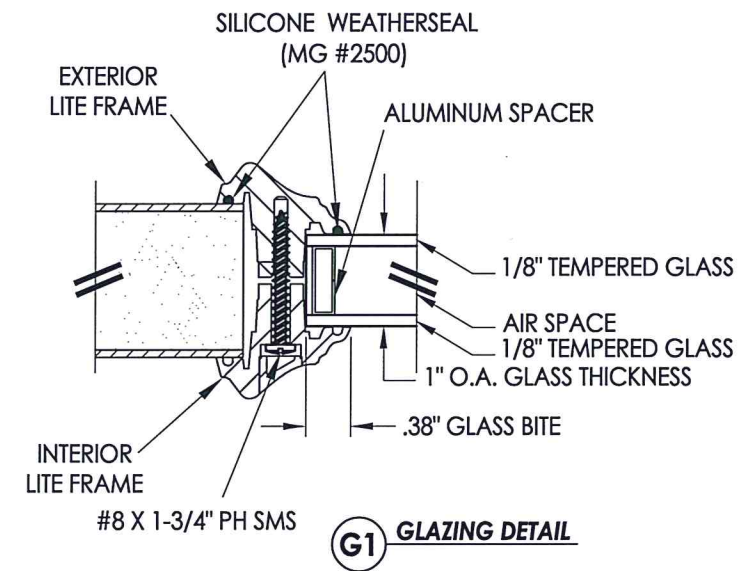
**1**  
**3** HORIZONTAL CROSS SECTION



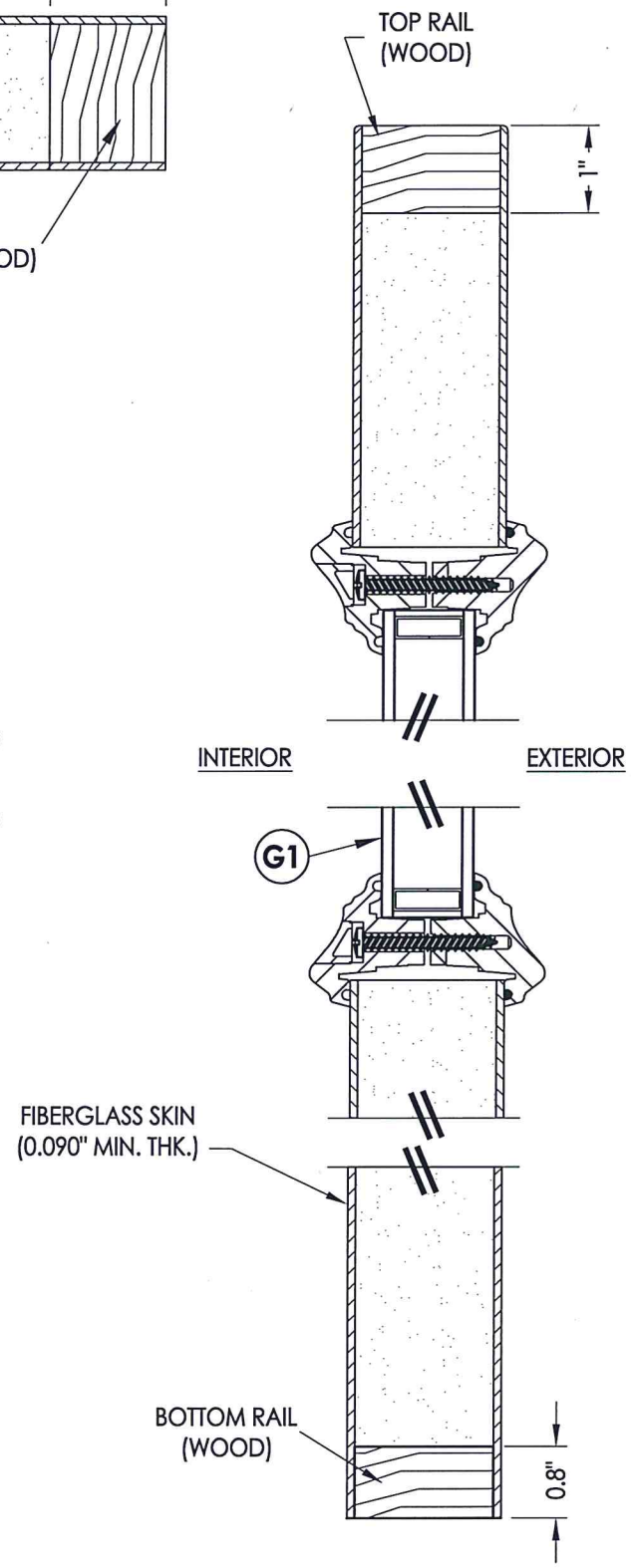
**50** SIDELITE PANEL  
Fiberglass



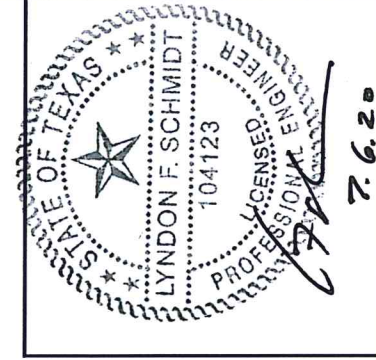
LITE FRAME  
Polypropylene



**G1** GLAZING DETAIL



**2**  
**3** VERTICAL CROSS SECTION



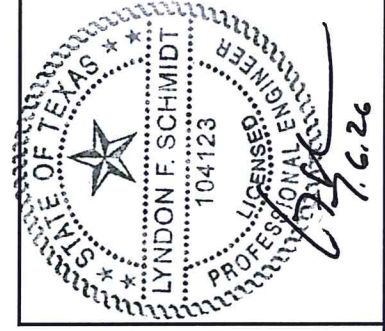
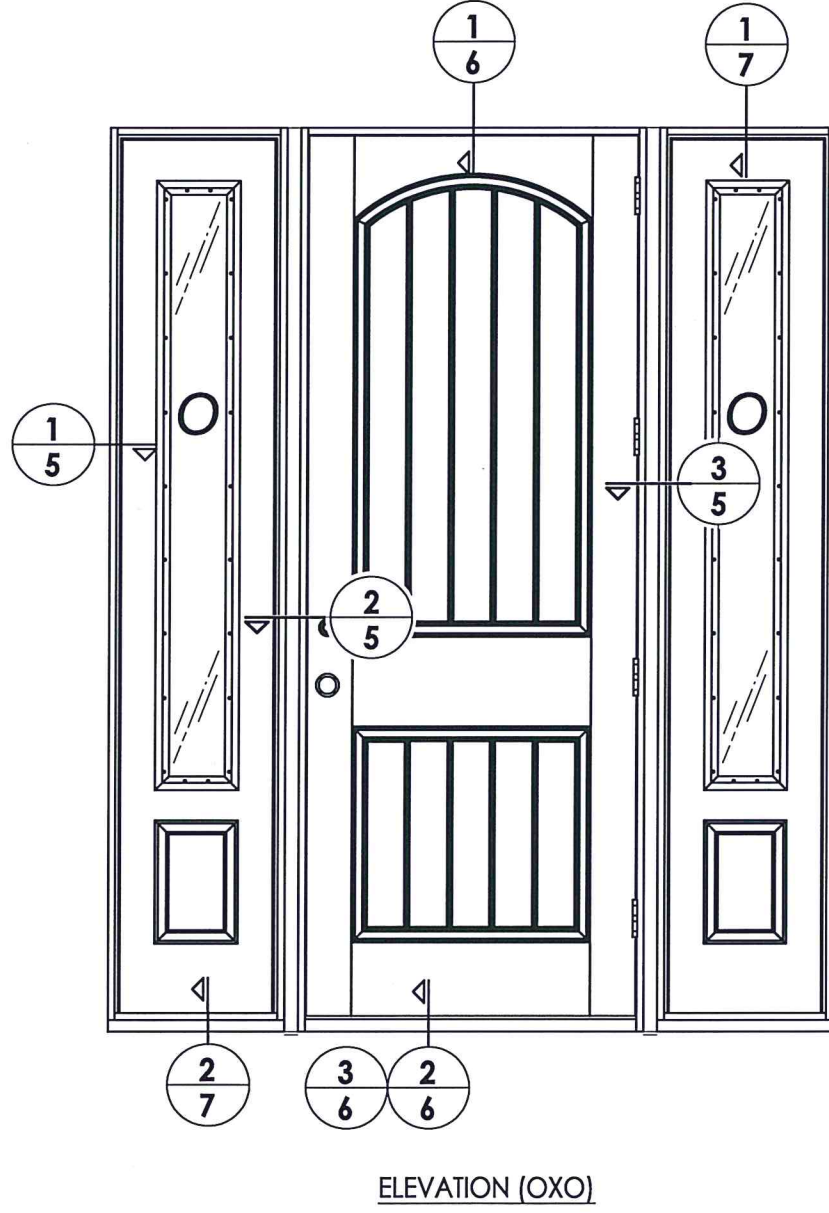
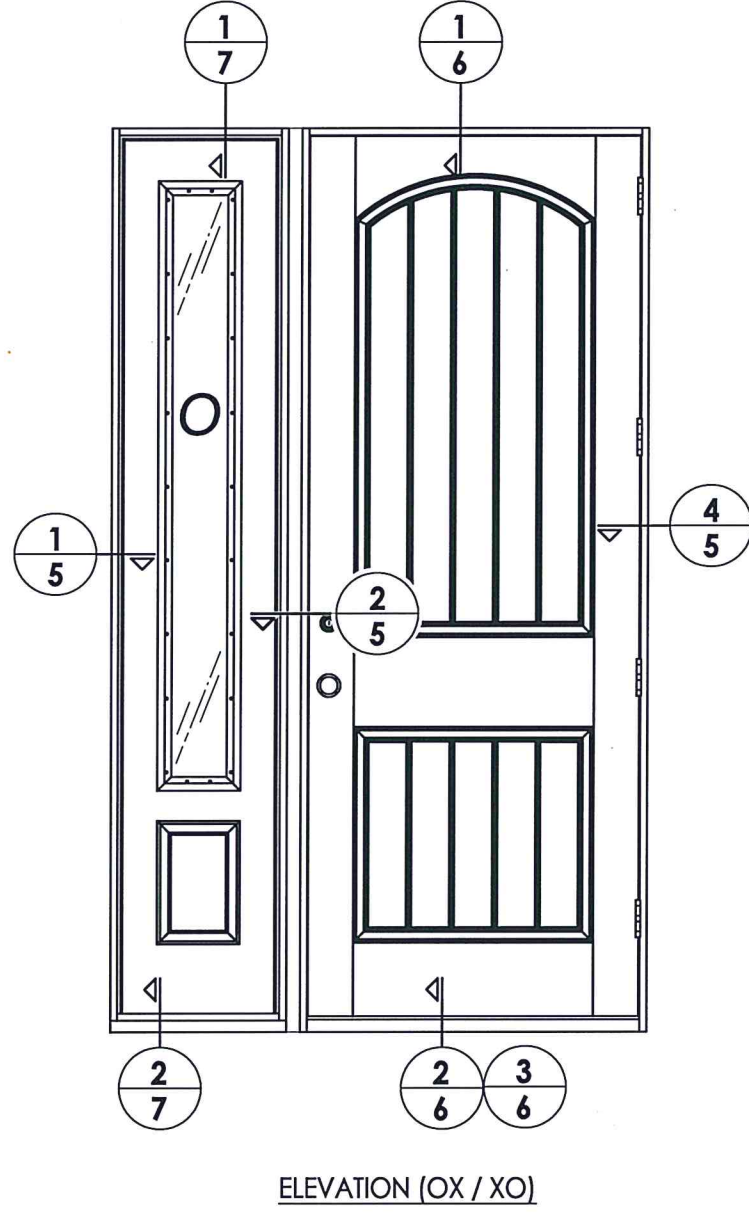
Documents Prepared By: Lyndon F. Schmidt, P.E.  
TEXAS P.E. #104123

**RW** BUILDING CONSULTANTS, INC.  
P.O. Box 230 Valrico FL 33595  
Phone No.: 813.659.9197

TEXAS BOARD OF PROFESSIONAL ENGINEERS  
CERTIFICATE OF REGISTRATION # F-11852

PRODUCT:	TAYLOR FIBERGLASS DOOR	
PART OR ASSEMBLY:	SIDELITE PANEL DETAILS AND GLAZING DETAIL	
NO.	DATE	BY
1	7/06/20	LFS
UPDATE TO 2018 IBC/IRC CODE		
REVISIONS		
DATE:	11/26/14	
SCALE:	N.T.S.	
DWG. BY:	JK	
CHK. BY:	LFS	
DRAWING NO.:	TX-4516	
SHEET	3	OF 9





Documents Prepared By: Lyndon F. Schmidt, P.E.  
TEXAS P.E. #104123

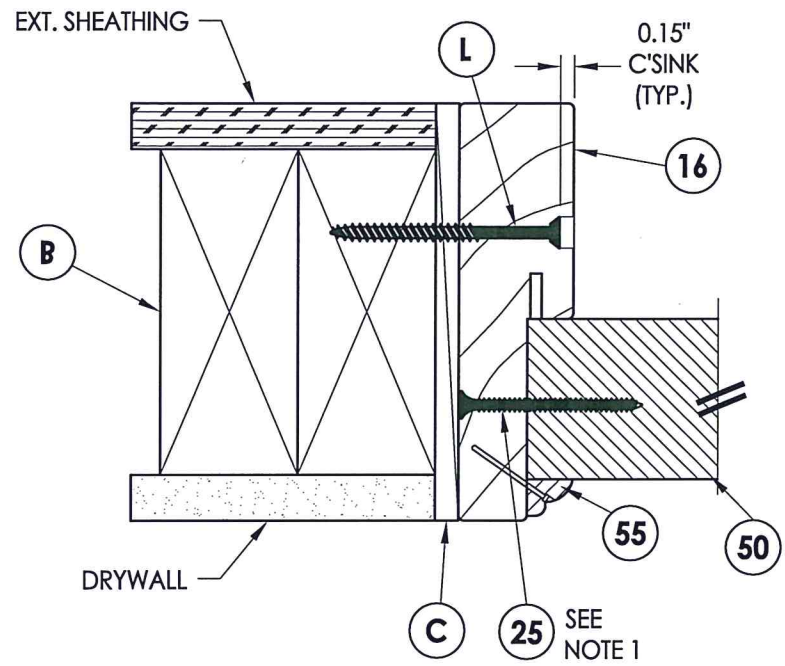
**RW** BUILDING CONSULTANTS, INC.  
P.O. Box 230 Valrico FL 33595  
Phone No.: 813.659.9197

TEXAS BOARD OF PROFESSIONAL ENGINEERS  
CERTIFICATE OF REGISTRATION # F-11852

PRODUCT: TAYLOR FIBERGLASS DOOR  
PART OR ASSEMBLY: ELEVATIONS

NO.	DATE	REVISIONS	LFS	BY
1	7/06/20	UPDATE TO 2018 IBC/IRC CODE	LFS	BY

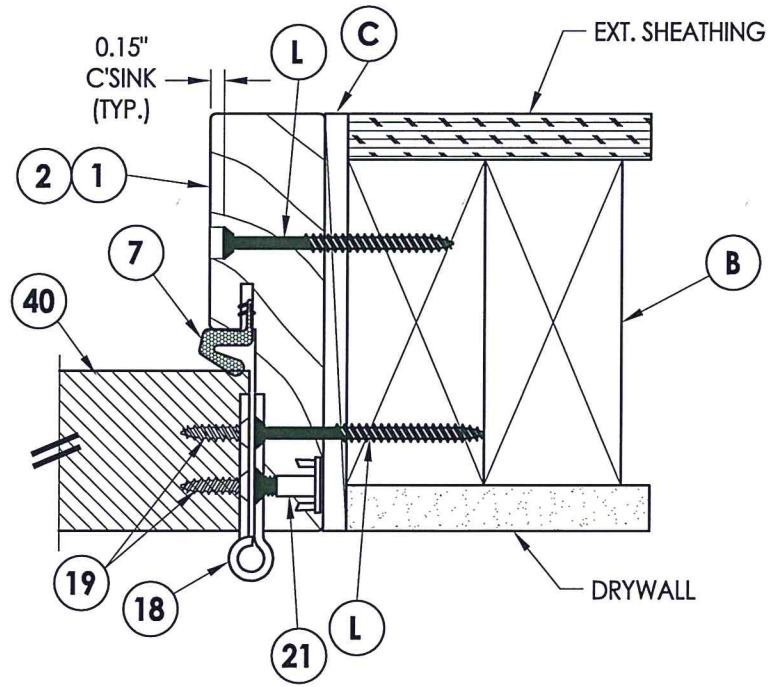
DATE: 11/26/14  
SCALE: N.T.S.  
DWG. BY: JK  
CHK. BY: LFS  
DRAWING NO.: TX-4516  
SHEET 4 OF 9



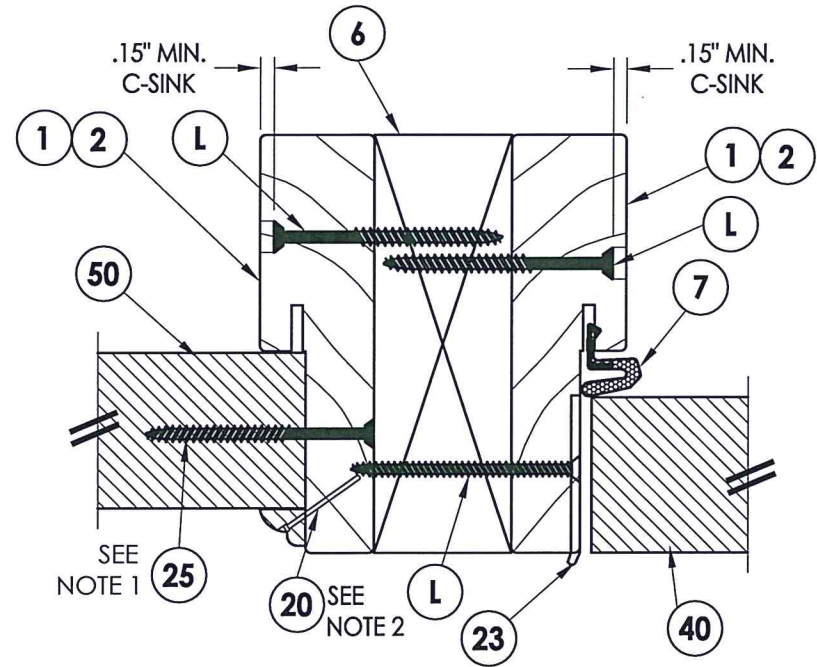
**1**  
**5** HORIZONTAL CROSS SECTION

EXTERIOR

INTERIOR



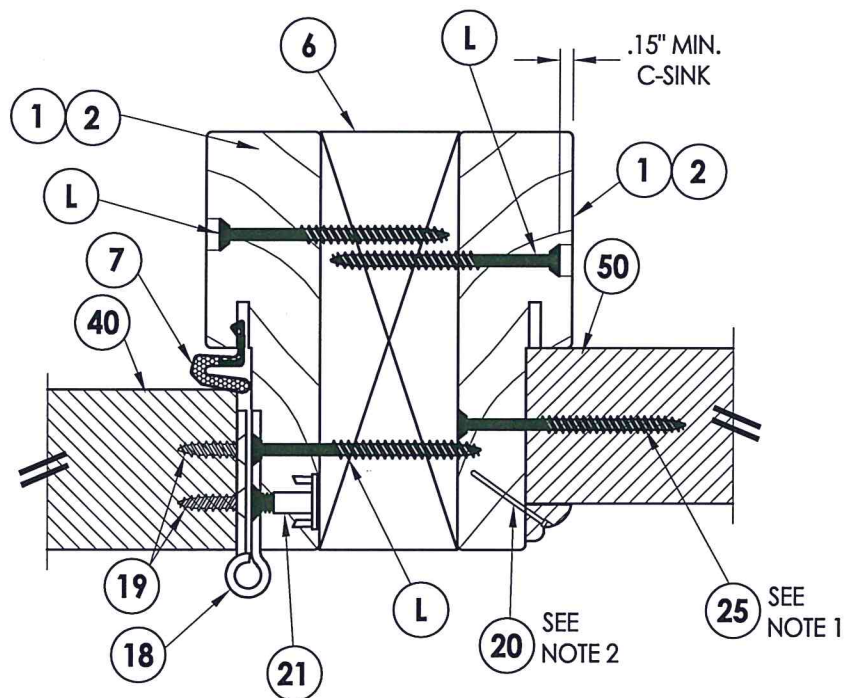
**4**  
**5** HORIZONTAL CROSS SECTION



**2**  
**5** HORIZONTAL CROSS SECTION

EXTERIOR

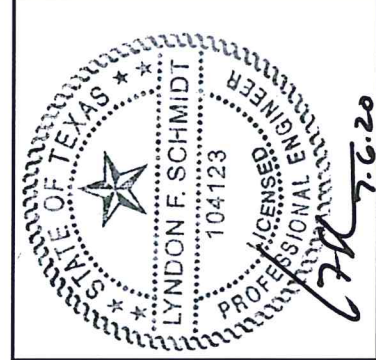
INTERIOR



**3**  
**5** HORIZONTAL CROSS SECTION

NOTE:

1. Sidelite ass'y fastener; 6" from each end and 6 more screws equally spaced between. (8 screws total per jamb.)
2. Trim secured with 1" Brad Nail @ 6" O.C. (TYP).



Documents Prepared By: Lyndon F. Schmidt, P.E.  
TEXAS P.E. #104123

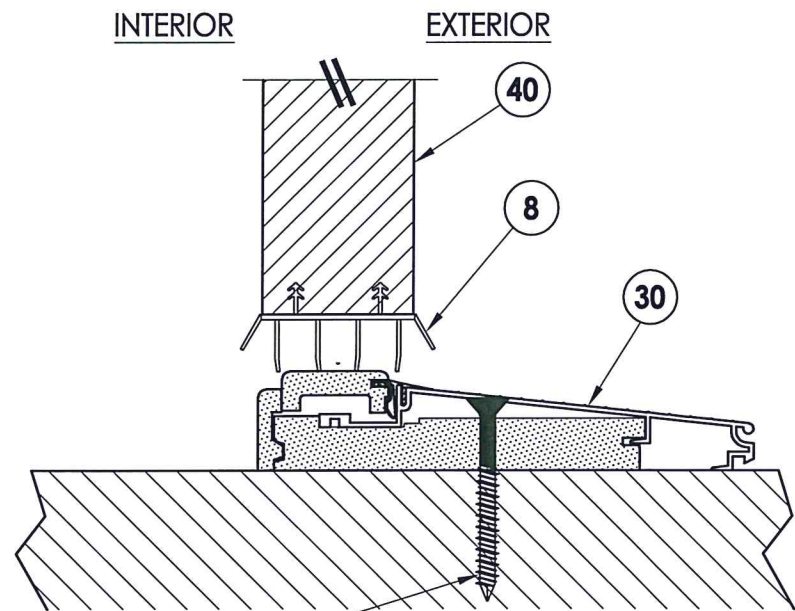
**RW** BUILDING CONSULTANTS, INC.  
P.O. Box 230 Vairico FL 33595  
Phone No.: 813.659.9197  
TEXAS BOARD OF PROFESSIONAL ENGINEERS  
CERTIFICATE OF REGISTRATION # F-11852

PRODUCT:	TAYLOR FIBERGLASS DOOR
PART OR ASSEMBLY:	HORIZONTAL CROSS SECTIONS

NO.	DATE	BY
1	7/06/20	LFS

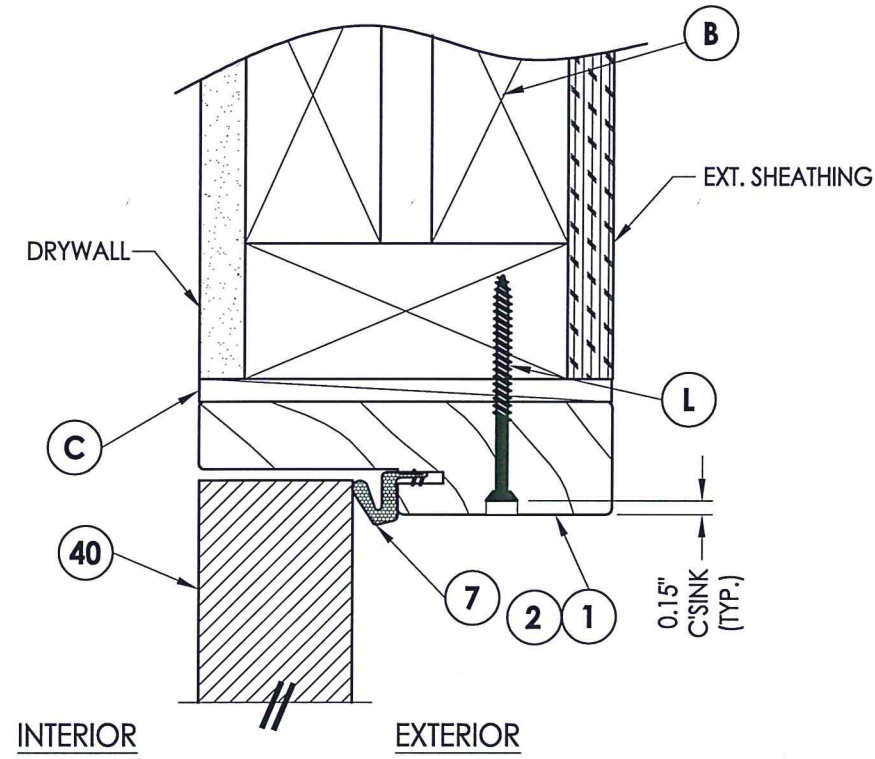
DATE:	11/26/14
SCALE:	N.T.S.
DWG. BY:	JK
CHK. BY:	LFS
DRAWING NO.:	TX-4516
SHEET	5 OF 9



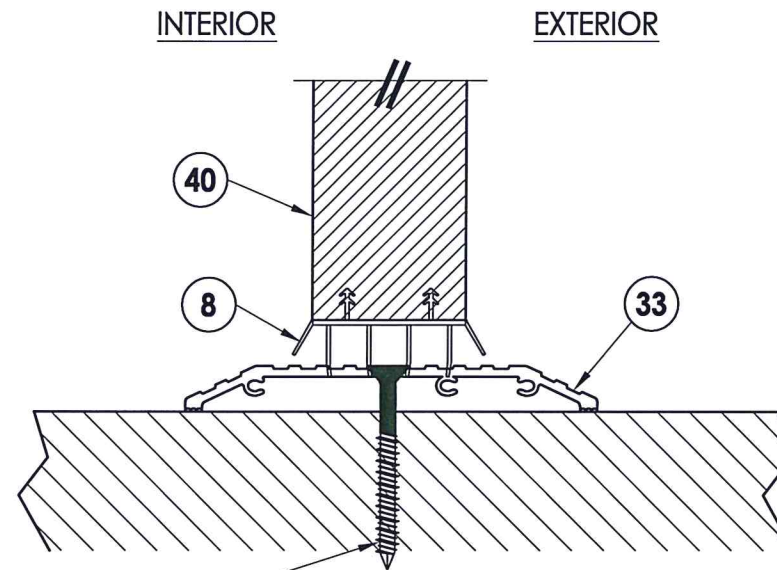


**J** WOOD  
**P** CONCRETE

**2** VERTICAL CROSS SECTION  
**6** Inswing configuration

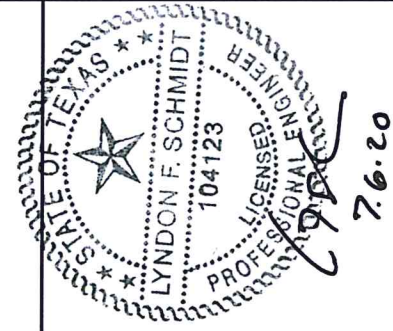


**1** VERTICAL CROSS SECTION  
**6**



**J** WOOD  
**P** CONCRETE

**3** VERTICAL CROSS SECTION  
**6** Shown w/ ADA threshold



Documents Prepared By: Lyndon F. Schmidt, P.E.  
TEXAS P.E. #104123

**RW** BUILDING CONSULTANTS, INC.  
P.O. Box 230 Valrico FL 33595  
Phone No.: 813.659.9197  
TEXAS BOARD OF PROFESSIONAL ENGINEERS  
CERTIFICATE OF REGISTRATION # F-11852

PRODUCT: TAYLOR FIBERGLASS DOOR  
PART OR ASSEMBLY: VERTICAL CROSS SECTIONS

REVISIONS	
NO.	DATE
1	7/06/20
	UPDATE TO 2018 IBC/IRC CODE
	LFS BY

DATE: 11/26/14

SCALE: N.T.S.

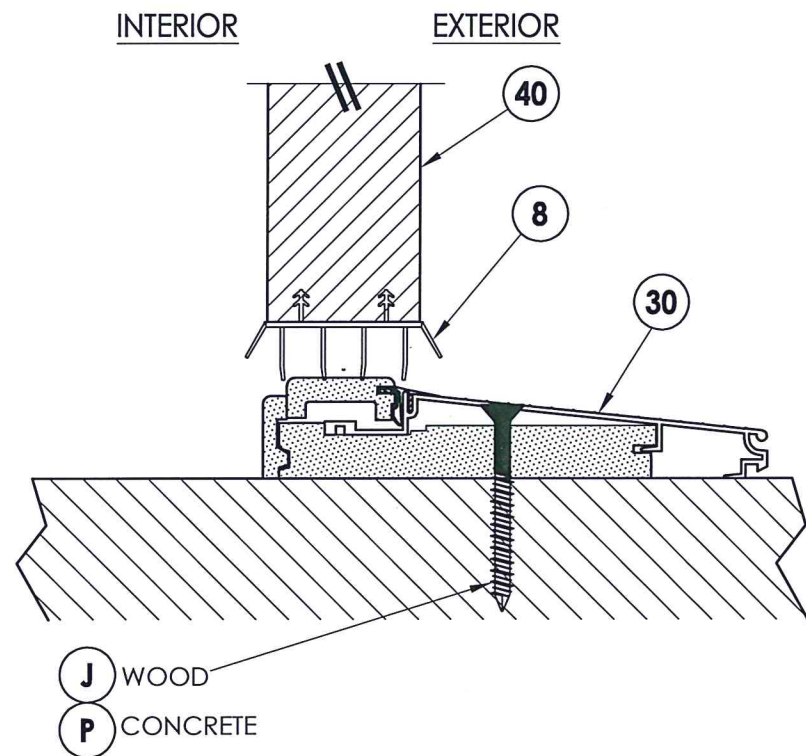
DWG. BY: JK

CHK. BY: LFS

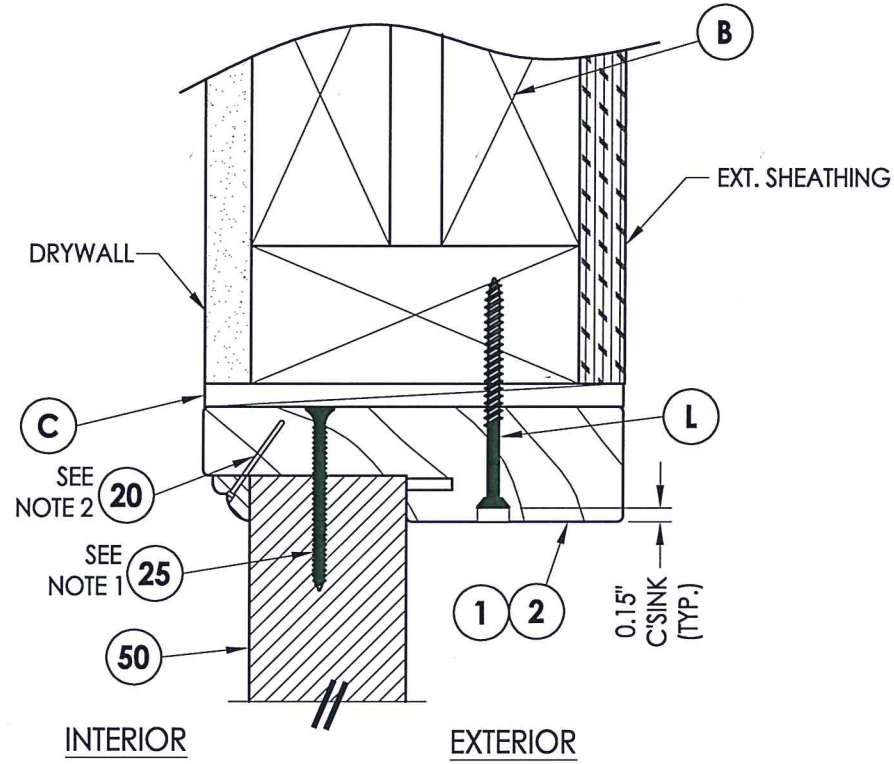
DRAWING NO.:

TX-4516

SHEET 6 OF 9



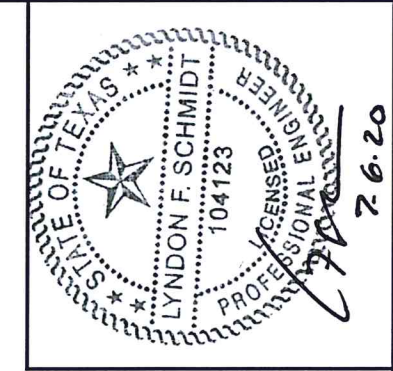
**2**  
**7** VERTICAL CROSS SECTION  
Inswing sill



**1**  
**7** VERTICAL CROSS SECTION

**NOTE:**

1. Screws thru head jamb located 3" from each end.
2. Trim secured with 1" Brad Nail @ 6" O.C. (TYP).



Documents Prepared By: Lyndon F. Schmidt, P.E.  
TEXAS P.E. #104123

**RW** BUILDING CONSULTANTS, INC.  
P.O. Box 230 Valrico FL, 33595  
Phone No.: 813.659.9197

TEXAS BOARD OF PROFESSIONAL ENGINEERS  
CERTIFICATE OF REGISTRATION # F-11852

PRODUCT: TAYLOR FIBERGLASS DOOR

PART OR ASSEMBLY: VERTICAL CROSS SECTIONS

NO.	DATE	REVISIONS
1	7/06/20	UPDATE TO 2018 IBC/IRC CODE
		LFS BY

DATE: 11/26/14

SCALE: N.T.S.

DWG. BY: JK

CHK. BY: LFS

DRAWING NO.: TX-4516

SHEET 7 OF 9





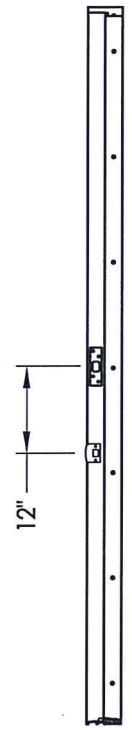
Documents Prepared By: Lyndon F. Schmidt, P.E.  
TEXAS P.E. #104123

**RW** BUILDING CONSULTANTS, INC.  
P.O. Box 230 Valrico FL 33595  
Phone No.: 813.659.9197

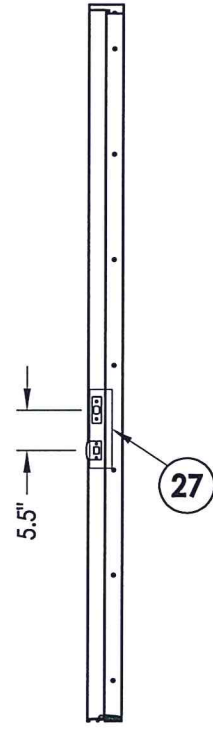
TEXAS BOARD OF PROFESSIONAL ENGINEERS  
CERTIFICATE OF REGISTRATION # F-11852

2X FRAMING TO BE DESIGNED BY THE ENGINEER OR ARCHITECT OF RECORD BASED ON WIND LOADS AND THE CLADDING BEING USED (TYP.)

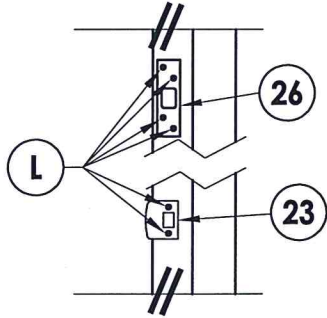
\* Additional anchor required for DP > 50 PSF only



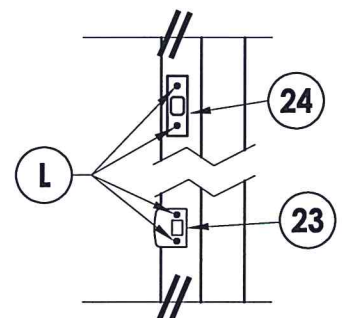
**STRIKE JAMB**  
Security Strike  
Lock & Deadbolt @ 12" o.c.



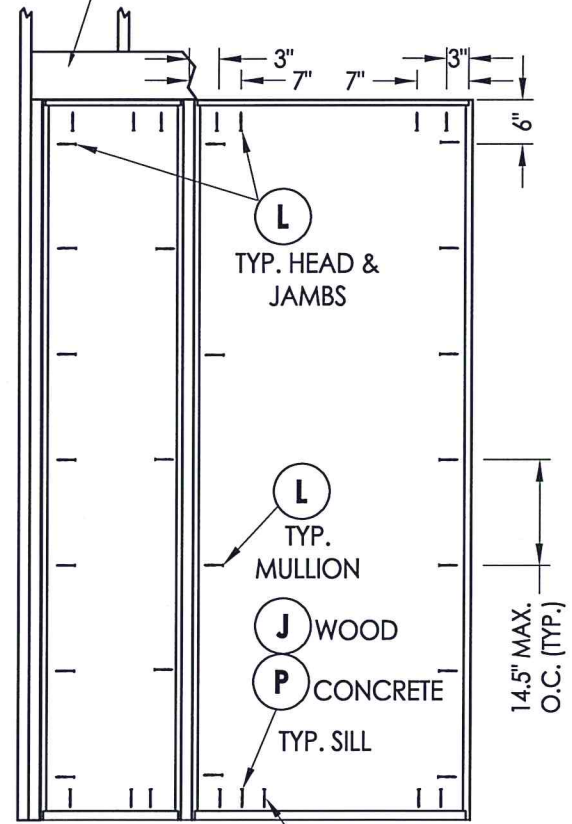
**STRIKE JAMB**  
Standard Strike  
Lock & Deadbolt @ 5.5" o.c.



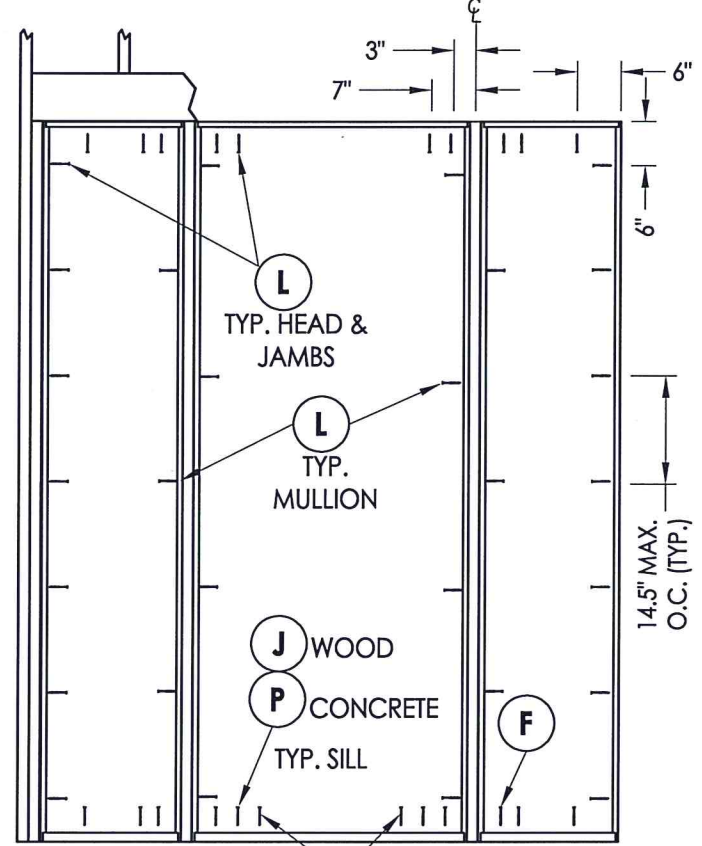
**LATCH & DEADBOLT DETAIL**  
Security Strike



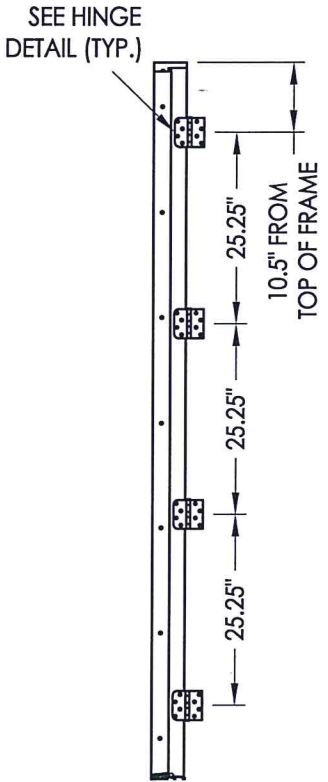
**LATCH & DEADBOLT DETAIL**  
Standard Strike



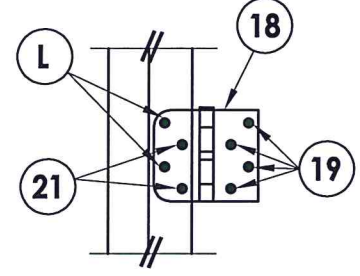
**FRAME ANCHORING**  
OX



**FRAME ANCHORING**  
OXO



**HINGE JAMB**

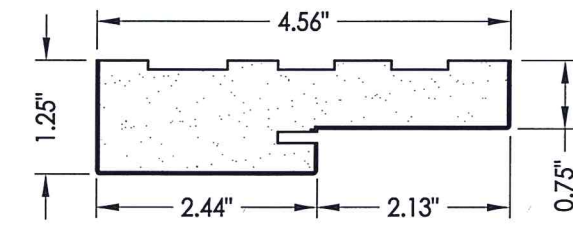


**HINGE DETAIL**

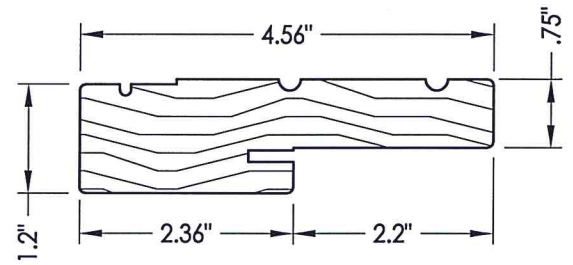
PRODUCT:		TAYLOR FIBERGLASS DOOR	
PART OR ASSEMBLY:		FRAME ANCHORING	
NO.	DATE	LFS	BY
1	7/06/20	UPDATE TO 2018 IBC/IRC CODE	
REVISIONS			
DATE: 11/26/14			
SCALE: N.T.S.			
DWG. BY: JK			
CHK. BY: LFS			
DRAWING NO.: TX-4516			
SHEET 8 OF 9			



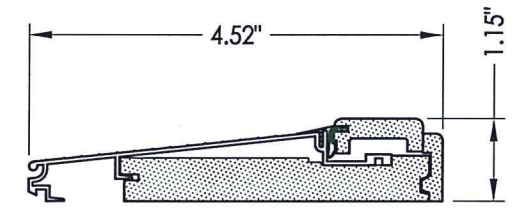
BILL OF MATERIALS		
ITEM #	DESCRIPTION	MATERIAL
B	2X FRAMING (G >= 0.42)	WOOD
C	1/4" MAX. SHIM SPACE	-
J	#10 X 3" PFH WOOD SCREW	STEEL
L	#10 X 2-1/2" PFH WOOD SCREW	STEEL
P	1/4" PFH ELCO OR ITW CONCRETE SCREW (1-3/4" MIN. EMBEDMENT)	STEEL
1	JAMB - FINGERJOINT PINE	WOOD
2	JAMB - POLY FIBER	POLY FIBER
6	2X MULLION (G > = 0.55)	WOOD
7	WEATHERSTRIP	FOAM
8	DOOR BOTTOM SWEEP	VINYL
18	4" X 4" HINGE	STEEL
19	#10 X 3/4" PFH WS	STEEL
20	1" BRAD NAIL	STEEL
21	#10 X 3/4" PFH WS (Wood Jamb) #10-24 X 5/8" M.S. W/ 1/2" STAFast INSERT P/N D102413 (Wood or Poly Fiber Jamb) #10-24 X 5/8" M.S. w/ 3/8" STAFast PRONG TEE NUT (Wood or Poly Fiber Jamb)	STEEL
23	LATCH STRIKE PLATE	STEEL
24	DEADBOLT STRIKE PLATE	STEEL
25	#8 X 2-1/2" PFH WOOD SCREW	STEEL
26	DEADBOLT STRIKE PLATE (SECURITY)	STEEL
27	REINFORCEMENT PLATE	STEEL
30	INSWING THRESHOLD	ALUM/COMP
33	ADA THRESHOLD	ALUM
35	SIDELITE ADAPTER	VINYL
40	DOOR PANEL - SEE DOOR PANEL DETAIL SHEET FOR CONSTRUCTION DETAILS	-
50	SIDELITE PANEL - SEE SIDELITE PANEL DETAIL SHEET FOR CONSTRUCTION DETAILS	-
55	SIDELITE TRIM	WOOD



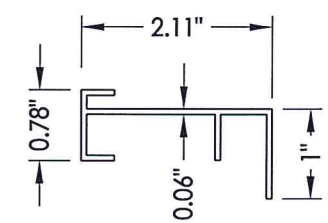
1 POLY FIBER JAMB



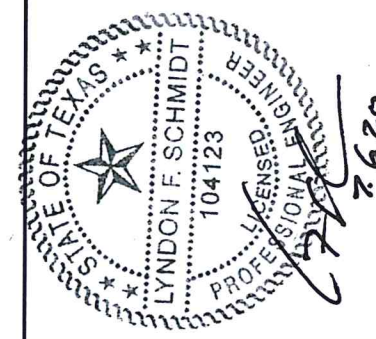
2 WOOD JAMB



30 INSWING THRESHOLD  
By Imperial



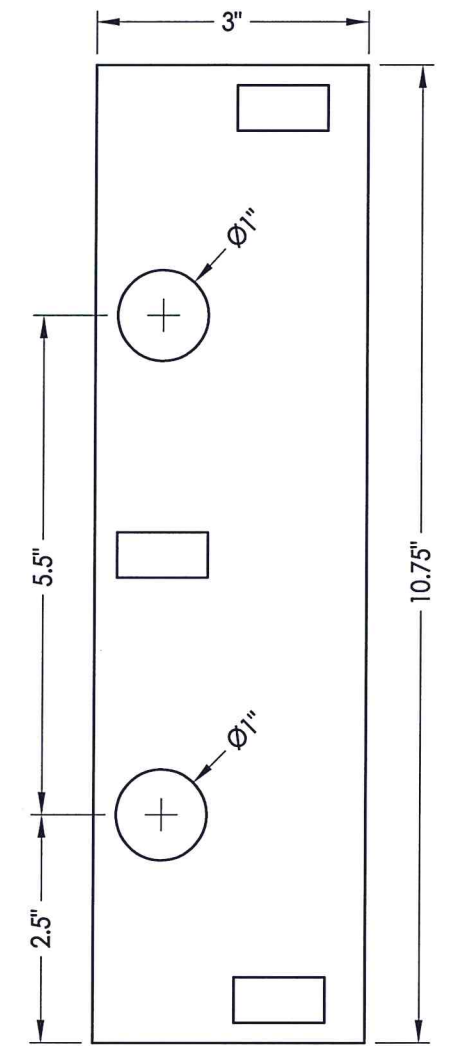
35 SIDELITE ADAPTER



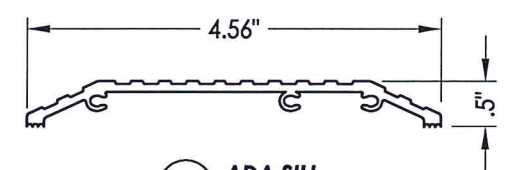
Documents Prepared By: Lyndon F. Schmidt, P.E.  
TEXAS P.E. #104123

**RW** BUILDING CONSULTANTS, INC.  
P.O. Box 230 Valrico FL 33595  
Phone No.: 813.659.9197

TEXAS BOARD OF PROFESSIONAL ENGINEERS  
CERTIFICATE OF REGISTRATION # F-11852



27 REINFORCEMENT PLATE  
16 GA.



33 ADA SILL

**CONCRETE ANCHOR NOTES:**

- Concrete anchor locations at the corners may be adjusted to maintain the min. edge distance to mortar joints.
- Concrete anchor locations noted as "MAX. ON CENTER" must be adjusted to maintain the min. edge distance to mortar joints, additional concrete anchors may be required to ensure the "MAX. ON CENTER" dimension are not exceeded.
- Concrete anchor table:

ANCHOR TYPE	ANCHOR SIZE	MIN. EMBEDMENT	MIN. CLEARANCE TO MASONRY EDGE	MIN. CLEARANCE TO ADJACENT ANCHOR
ITW TAPCON®	1/4"	1-3/4"	2-1/2"	3"
ELCO ULTRACON®	1/4"	1-3/4"	1"	3"

PRODUCT:	TAYLOR FIBERGLASS DOOR
PART OR ASSEMBLY:	BILL OF MATERIALS AND COMPONENTS
DATE:	11/26/14
SCALE:	N.T.S.
DWG. BY:	JK
CHK. BY:	LFS
DRAWING NO.:	TX-4516
SHEET	9 OF 9