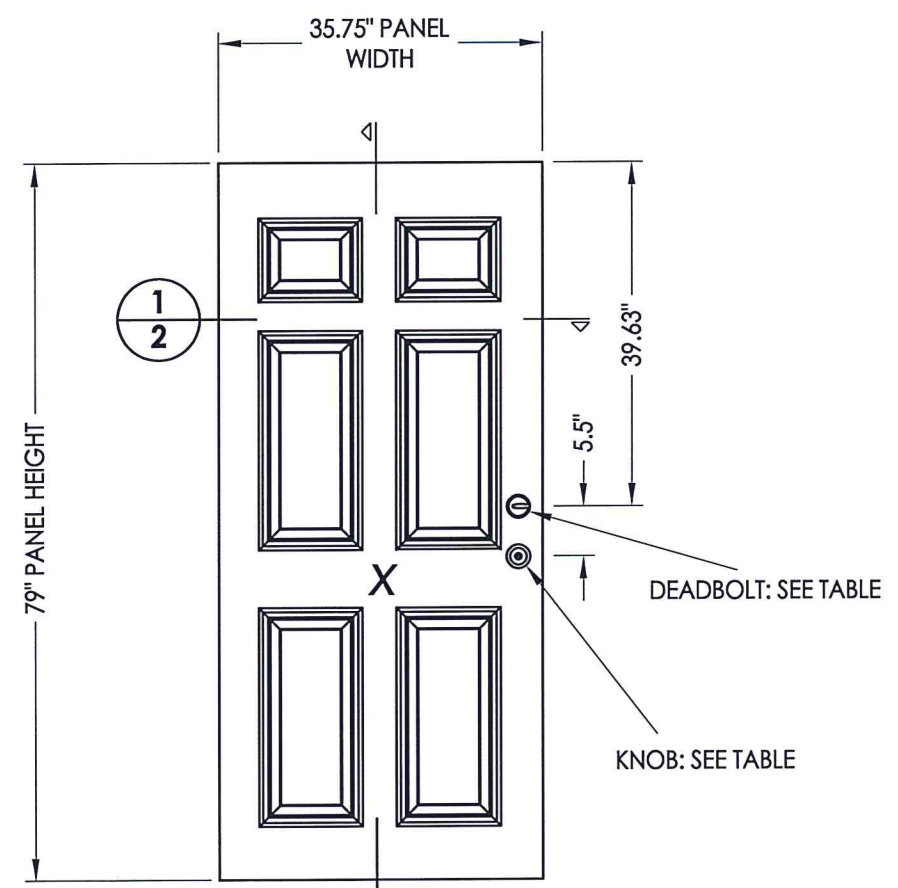
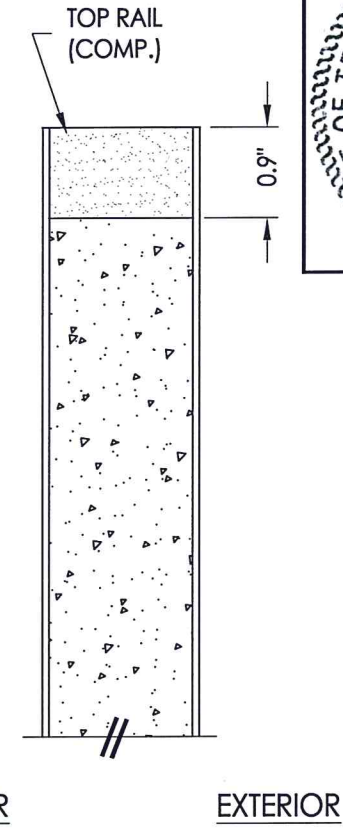


**1**  
**2** HORIZONTAL CROSS SECTION



**40** DOOR PANEL  
Taylor Door  
w/ Mastergrain Fiberglass skins

HARDWARE TABLE		
MANUFACTURER	MODEL	
KWIKSET	KNOB: DEADBOLT:	KWIKSET SIGNATURE SERIES KWIKSET SIGNATURE SERIES (980)
KWIKSET	KNOB: DEADBOLT:	KWIKSET SERIES KWIKSET SERIES (660)
SCHLAGE	KNOB: DEADBOLT:	"F" SERIES "B" SERIES
COPPER CREEK	KNOB: DEADBOLT:	E-SERIES E-SERIES



**2**  
**2** VERTICAL CROSS SECTION



Documents Prepared By: Lyndon F. Schmidt, P.E.  
TEXAS P.E. #104123

**RW** BUILDING CONSULTANTS, INC.  
P.O. Box 230 Valrico FL 33595  
Phone No.: 813.659.9197

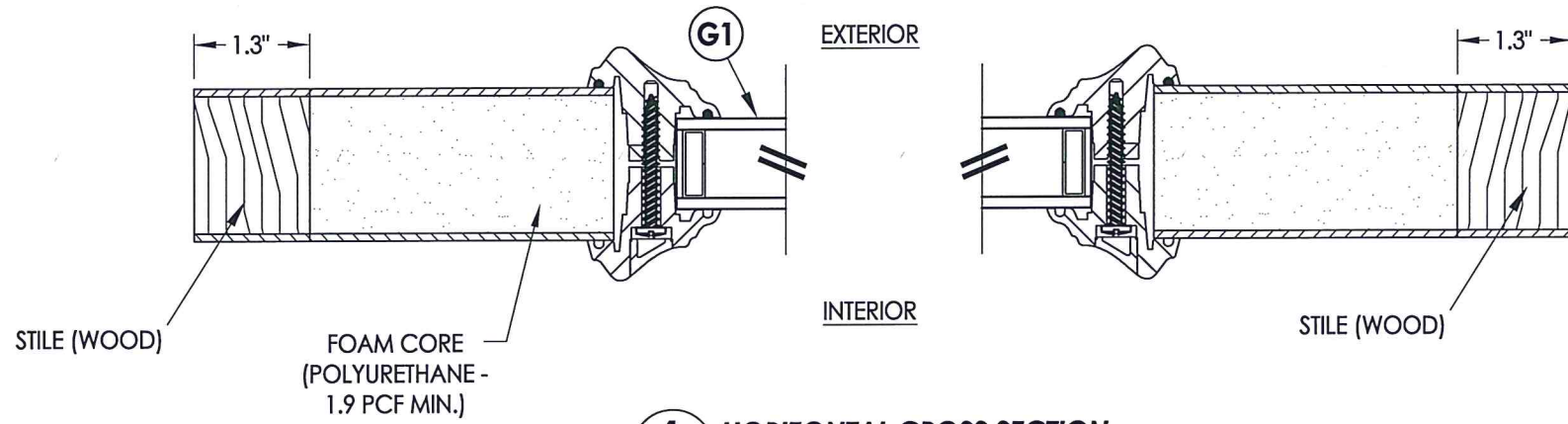
TEXAS BOARD OF PROFESSIONAL ENGINEERS  
CERTIFICATE OF REGISTRATION # F-11852

PRODUCT: TAYLOR FIBERGLASS DOOR

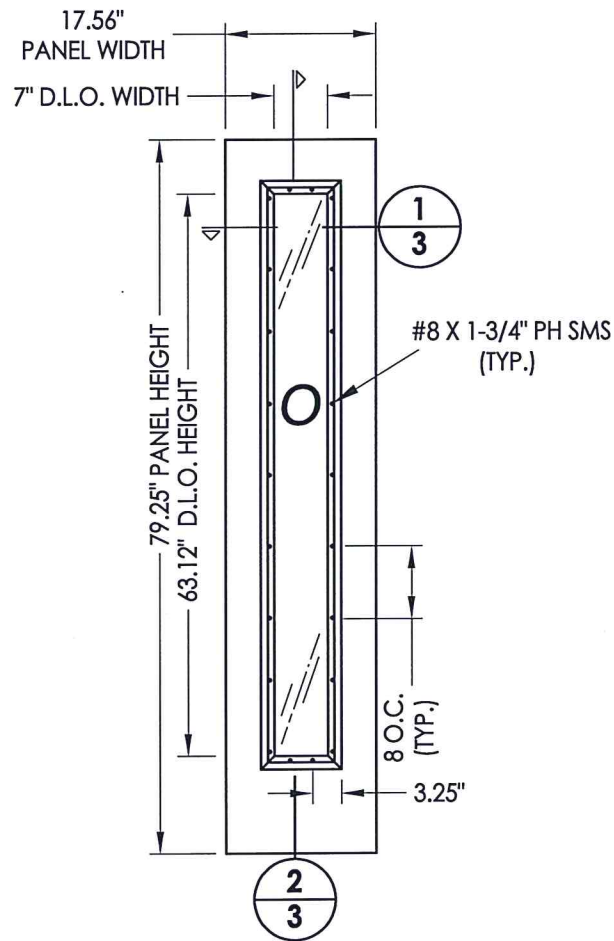
PART OR ASSEMBLY: DOOR PANEL DETAILS AND GLAZING DETAIL

NO.	DATE	REVISIONS
1	7/06/20	UPDATE TO 2018 IBC/IRC CODE
		LFS
		BY

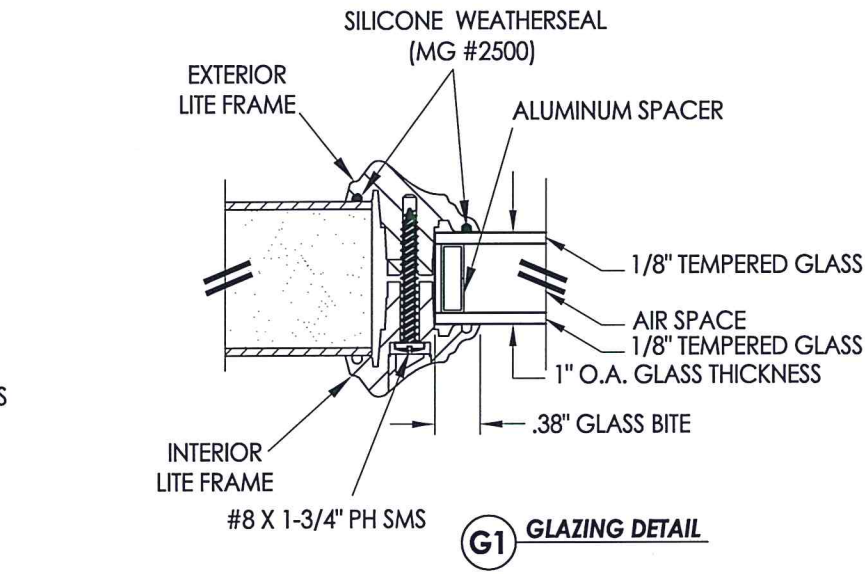
DATE: 11/26/14  
SCALE: N.T.S.  
DWG. BY: JK  
CHK. BY: LFS  
DRAWING NO.: TX-4514  
SHEET 2 OF 9



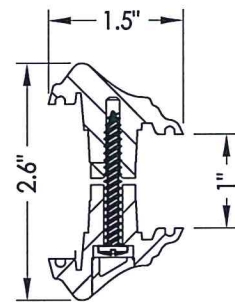
**1**  
**3** HORIZONTAL CROSS SECTION



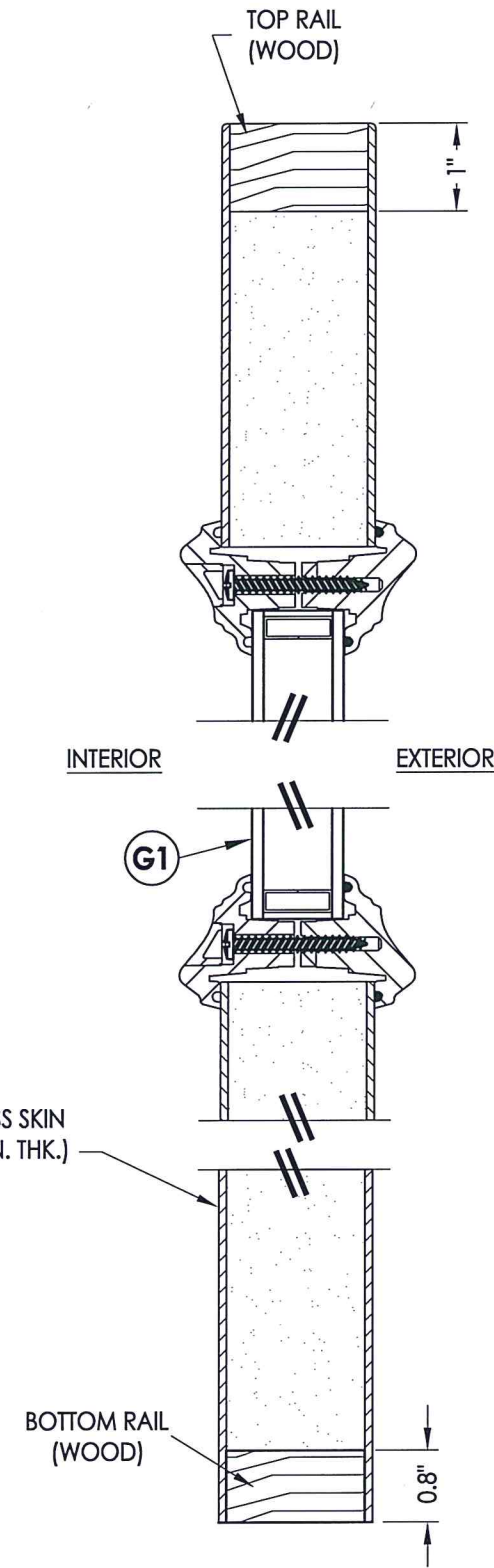
**50** SIDELITE PANEL  
Fiberglass



**G1** GLAZING DETAIL



**LITE FRAME**  
Polypropylene



**2**  
**3** VERTICAL CROSS SECTION



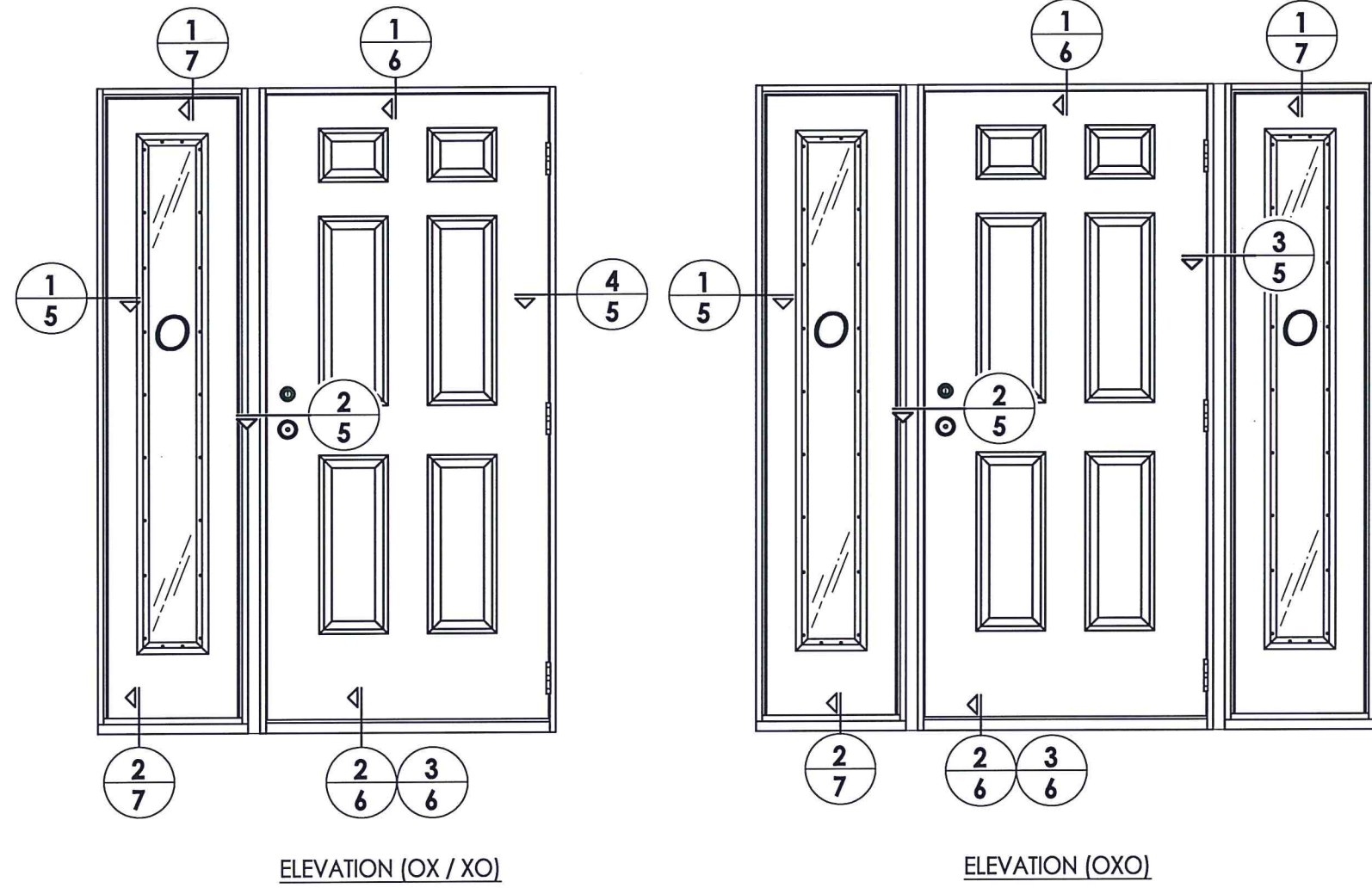
Documents Prepared By: Lyndon F. Schmidt, P.E.  
TEXAS P.E. #104123

**RW** BUILDING CONSULTANTS, INC.  
P.O. Box 230 Vairico FL, 33595  
Phone No.: 813.659.9197

TEXAS BOARD OF PROFESSIONAL ENGINEERS  
CERTIFICATE OF REGISTRATION # F-11852

PRODUCT:		TAYLOR FIBERGLASS DOOR	
PART OR ASSEMBLY:		SIDELITE PANEL DETAILS AND GLAZING DETAIL	
NO.	DATE	UPDATE TO 2018 IBC/IRC CODE	BY
1	7/06/20	LFS	
REVISIONS			
DATE: 11/26/14			
SCALE: N.T.S.			
DWG. BY: JK			
CHK. BY: LFS			
DRAWING NO.: TX-4514			
SHEET 3 OF 9			





Documents Prepared By: Lyndon F. Schmidt, P.E.  
 TEXAS P.E. #104123

**RW** BUILDING CONSULTANTS, INC.  
 P.O. Box 230 Valrico FL 33595  
 Phone No.: 813.659.9197

TEXAS BOARD OF PROFESSIONAL ENGINEERS  
 CERTIFICATE OF REGISTRATION # F-11852

PRODUCT: TAYLOR FIBERGLASS DOOR

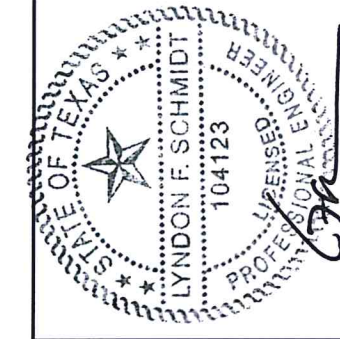
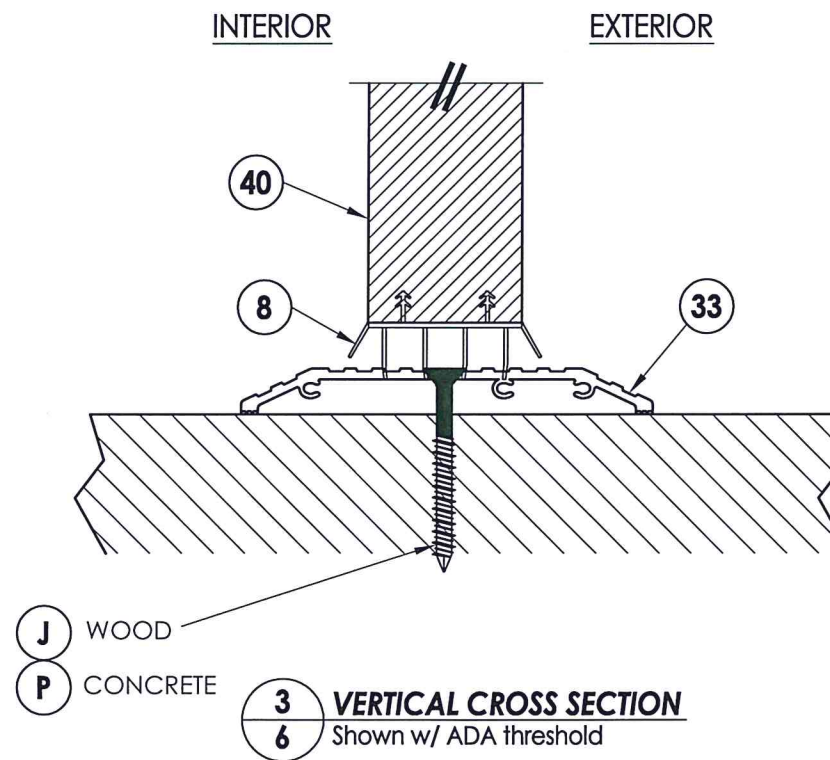
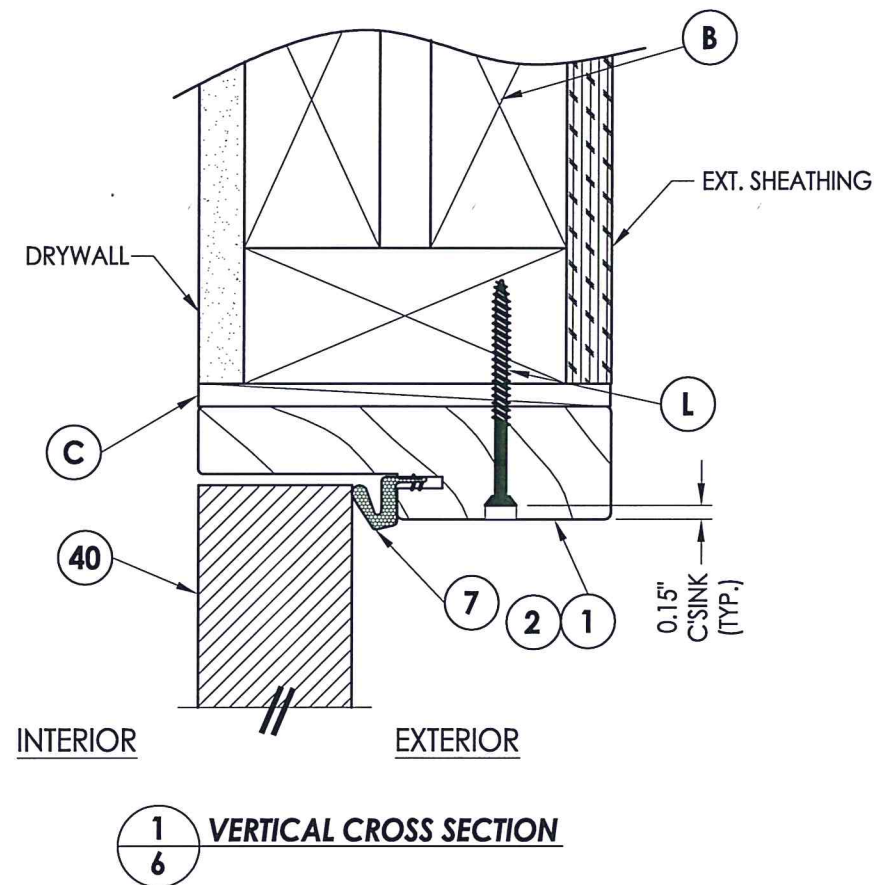
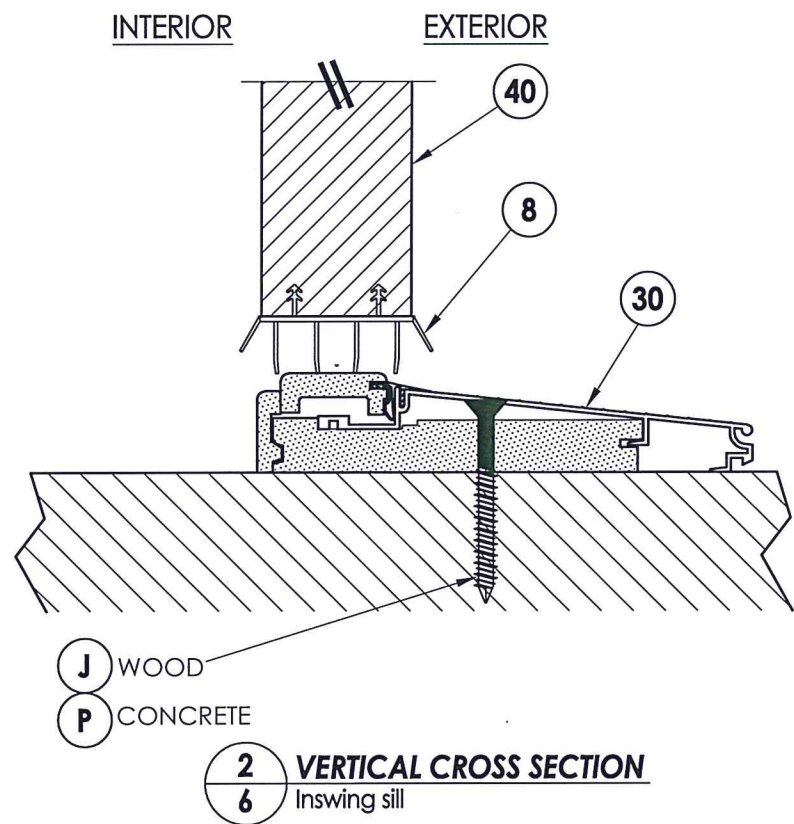
PART OR ASSEMBLY: ELEVATIONS

NO.	DATE	DESCRIPTION	BY
1	7/06/20	UPDATE TO 2018 IBC/IRC CODE	LFS

DATE: 11/26/14  
 SCALE: N.T.S.  
 DWG. BY: JK  
 CHK. BY: LFS  
 DRAWING NO.: TX-4514  
 SHEET 4 OF 9







7-6-20

Documents Prepared By: Lyndon F. Schmidt, P.E.  
TEXAS P.E. #104123

**RW** BUILDING CONSULTANTS, INC.  
P.O. Box 230 Valrico FL, 33595  
Phone No.: 813.659.9197

TEXAS BOARD OF PROFESSIONAL ENGINEERS  
CERTIFICATE OF REGISTRATION # F-11852

PRODUCT: TAYLOR FIBERGLASS DOOR  
PART OR ASSEMBLY: VERTICAL CROSS SECTIONS

NO.	DATE	REVISIONS	LFS	BY
1	7/06/20	UPDATE TO 2018 IBC/IRC CODE	LFS	BY

DATE: 11/26/14

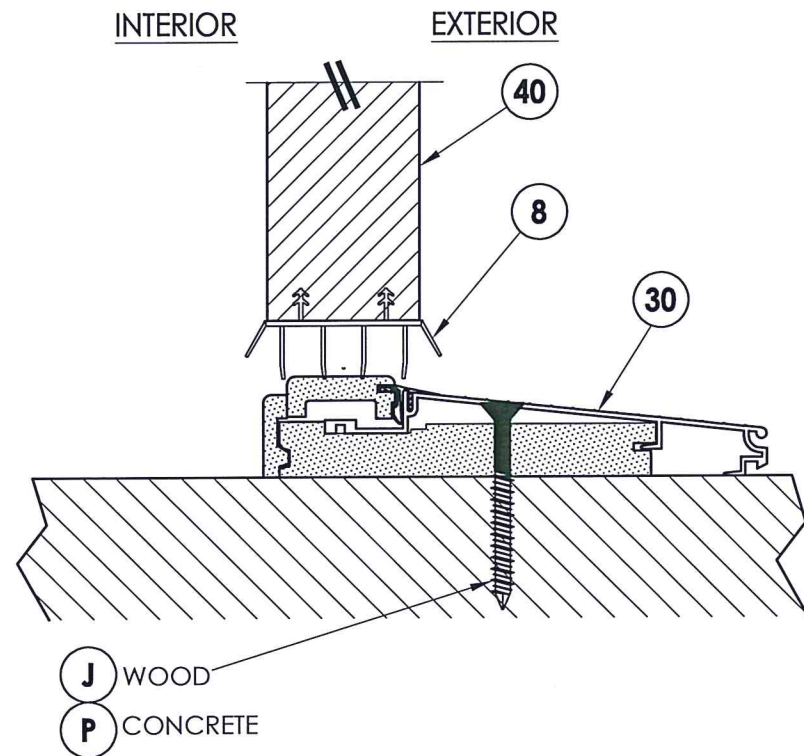
SCALE: N.T.S.

DWG. BY: JK

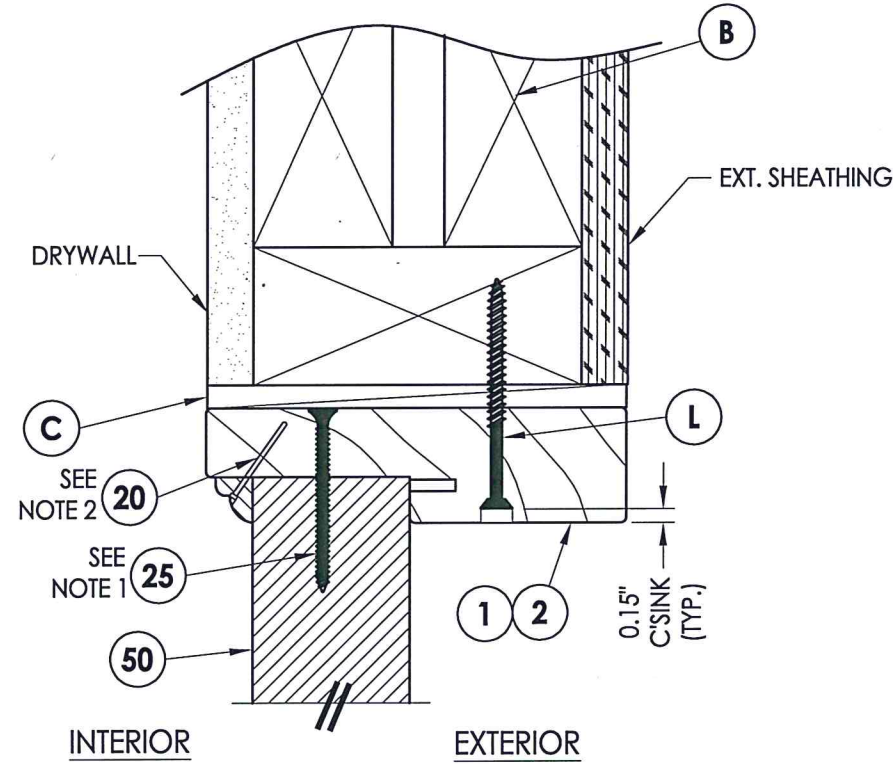
CHK. BY: LFS

DRAWING NO.: TX-4514

SHEET 6 OF 9



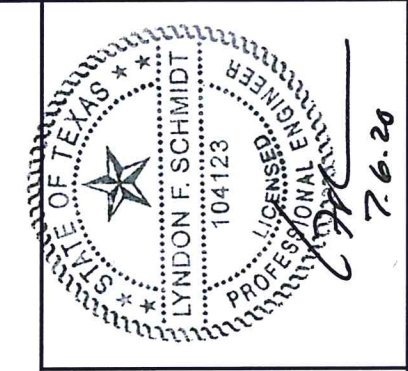
**2** VERTICAL CROSS SECTION  
**7** Inswing configuration



**1** VERTICAL CROSS SECTION  
**7** Inswing shown - outswing also approved

**NOTE:**

1. Screws thru head jamb located 3" from each end.
2. Trim secured with 1" Brad Nail @ 6" O.C. (TYP).



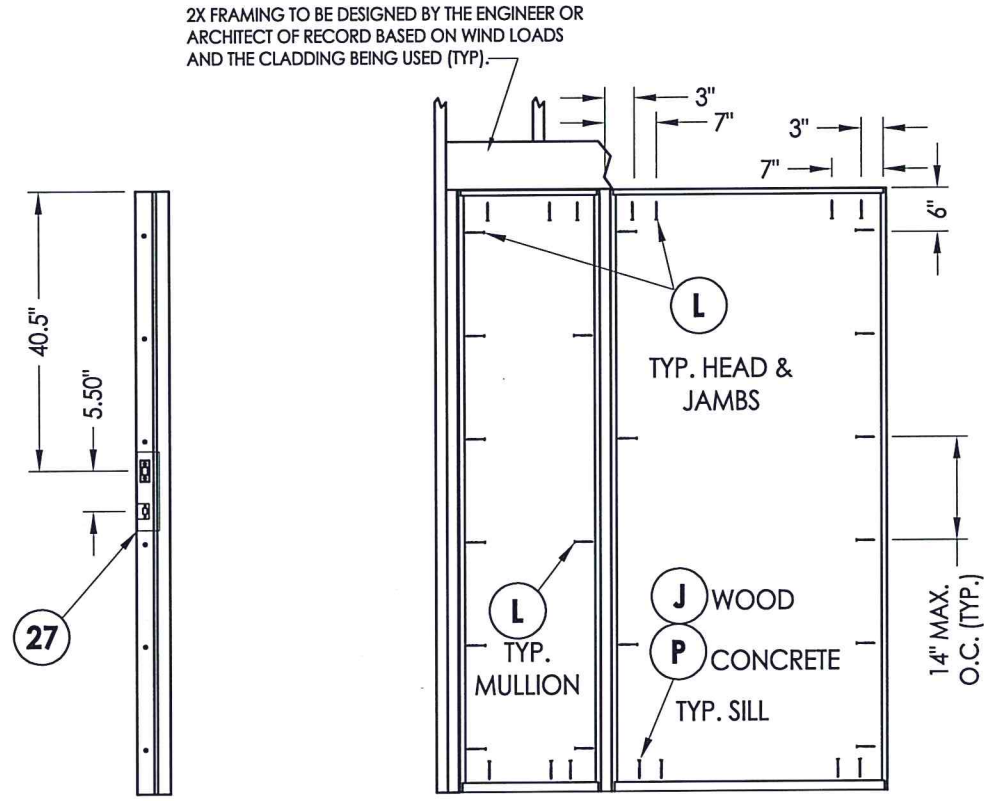
Documents Prepared By: Lyndon F. Schmidt, P.E.  
 TEXAS P.E. #104123

**RW** BUILDING CONSULTANTS, INC.  
 P.O. Box 230 Valrico FL 33595  
 Phone No.: 813.659.9197

TEXAS BOARD OF PROFESSIONAL ENGINEERS  
 CERTIFICATE OF REGISTRATION # F-11852

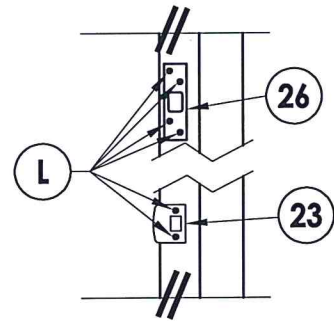
PRODUCT:		TAYLOR FIBERGLASS DOOR	
PART OR ASSEMBLY:		VERTICAL CROSS SECTIONS	
NO.	DATE	BY	REVISIONS
1	7/06/20	LFS	UPDATE TO 2018 IBC/IRC CODE
DATE: 11/26/14			
SCALE: N.T.S.			
DWG. BY: JK			
CHK. BY: LFS			
DRAWING NO.: TX-4514			
SHEET 7 OF 9			



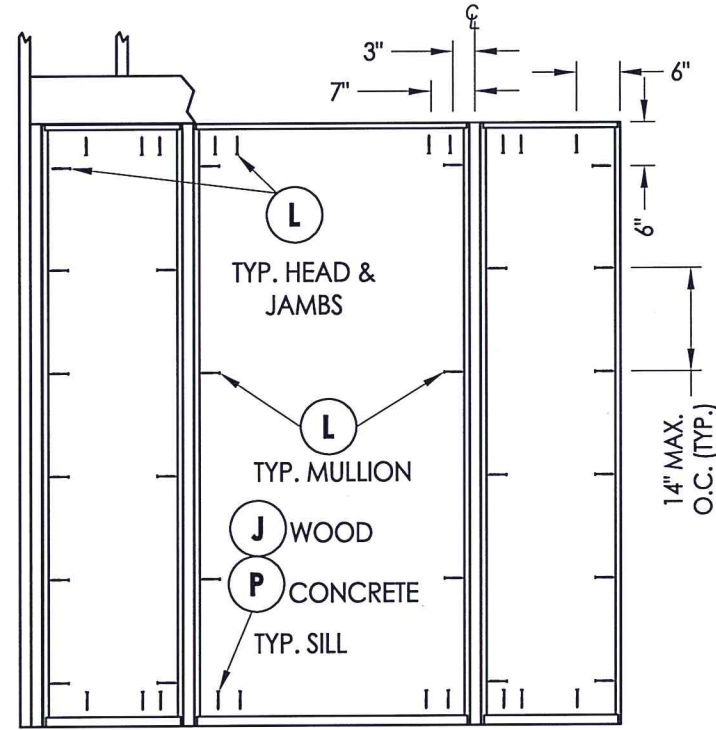


**STRIKE JAMB**

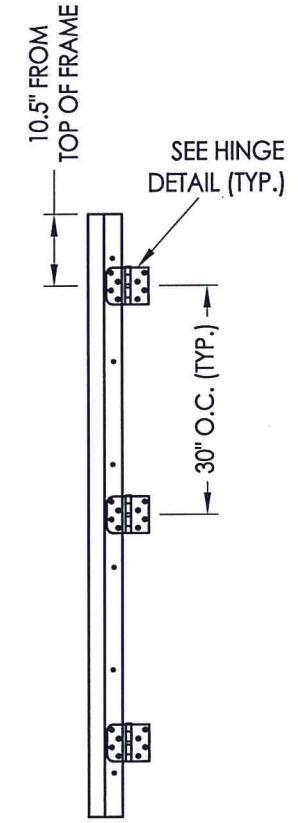
**FRAME ANCHORING  
OX**



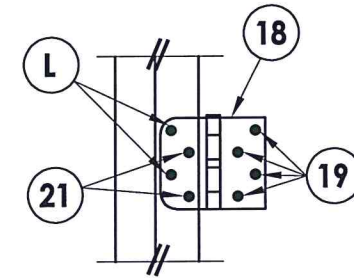
**LATCH & DEADBOLT DETAIL  
Security Strike**



**FRAME ANCHORING  
OXO**



**HINGE JAMB**



**HINGE DETAIL**



Documents Prepared By: Lyndon F. Schmidt, P.E.  
TEXAS P.E. #104123

**RW** BUILDING CONSULTANTS, INC.  
P.O. Box 230 Vairico FL 33595  
Phone No.: 813.659.9197  
TEXAS BOARD OF PROFESSIONAL ENGINEERS  
CERTIFICATE OF REGISTRATION # F-11852

PRODUCT:		TAYLOR FIBERGLASS DOOR	
PART OR ASSEMBLY:		FRAME ANCHORING	
NO.	DATE	BY	REVISIONS
1	7/06/20	LFS	UPDATE TO 2018 IBC/IRC CODE

DATE: 11/26/14  
SCALE: N.T.S.  
DWG. BY: JK  
CHK. BY: LFS  
DRAWING NO.: TX-4514  
SHEET 8 OF 9



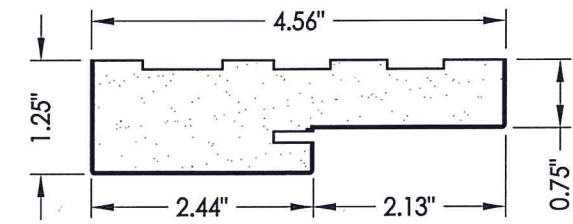
R:\Clients\Taylor Permanent\B - Texas Dept of Ins\TDI - DR 618 6'8 & 8'0 Opaque FG Doors Non-Impact\Drawings\2018 IBC Update\TX-4514-15.dwg, 9

BILL OF MATERIALS		
ITEM #	DESCRIPTION	MATERIAL
B	2X FRAMING (G >= 0.42)	WOOD
C	1/4" MAX. SHIM SPACE	-
J	#10 X 3" PFH WOOD SCREW	STEEL
L	#10 X 2-1/2" PFH WOOD SCREW	STEEL
P	1/4" PFH ELCO OR ITW CONCRETE SCREW (1-3/4" MIN. EMBEDMENT)	STEEL
1	JAMB - FINGERJOINT PINE	WOOD
2	JAMB - POLY FIBER	POLY FIBER
6	2X MULLION (G > = 0.55)	WOOD
7	WEATHERSTRIP	FOAM
8	DOOR BOTTOM SWEEP	VINYL
18	4" X 4" HINGE	STEEL
19	#10 X 3/4" PFH WS	STEEL
20	1" BRAD NAIL	STEEL
21	#10 X 3/4" PFH WS (Wood Jamb) #10-24 X 5/8" M.S. W/ 1/2" STAFast INSERT P/N D102413 (Wood or Poly Fiber Jamb) #10-24 X 5/8" M.S. w/ 3/8" STAFast PRONG TEE NUT (Wood or Poly Fiber Jamb)	STEEL
23	LATCH STRIKE PLATE	STEEL
25	#8 X 2-1/2" PFH WOOD SCREW	STEEL
26	DEADBOLT STRIKE PLATE (SECURITY)	STEEL
27	REINFORCEMENT PLATE	STEEL
30	INSWING THRESHOLD	ALUM/COMP
33	ADA THRESHOLD	ALUM
35	SIDELITE ADAPTER	VINYL
40	DOOR PANEL - SEE DOOR PANEL DETAIL SHEET FOR CONSTRUCTION DETAILS	-
50	SIDELITE PANEL - SEE SIDELITE PANEL DETAIL SHEET FOR CONSTRUCTION DETAILS	-
55	SIDELITE TRIM	WOOD

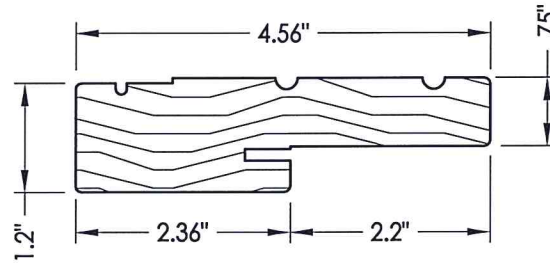
**CONCRETE ANCHOR NOTES:**

- Concrete anchor locations at the corners may be adjusted to maintain the min. edge distance to mortar joints.
- Concrete anchor locations noted as "MAX. ON CENTER" must be adjusted to maintain the min. edge distance to mortar joints, additional concrete anchors may be required to ensure the "MAX. ON CENTER" dimension are not exceeded.
- Concrete anchor table:

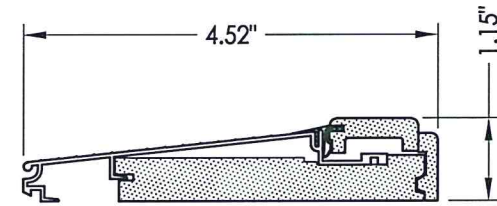
ANCHOR TYPE	ANCHOR SIZE	MIN. EMBEDMENT	MIN. CLEARANCE TO MASONRY EDGE	MIN. CLEARANCE TO ADJACENT ANCHOR
ITW TAPCON®	1/4"	1-3/4"	2-1/2"	3"
ELCO ULTRACON®	1/4"	1-3/4"	1"	3"



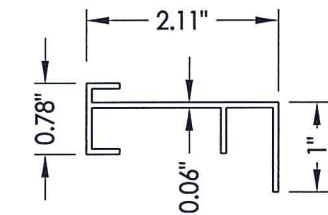
**1 POLY FIBER JAMB**



**2 WOOD JAMB**



**30 INSWING THRESHOLD**  
By Imperial

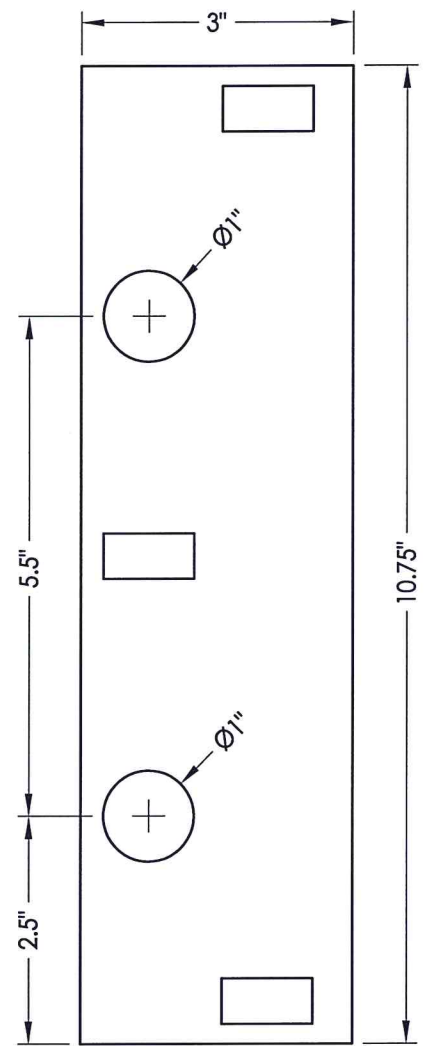


**35 SIDELITE ADAPTER**

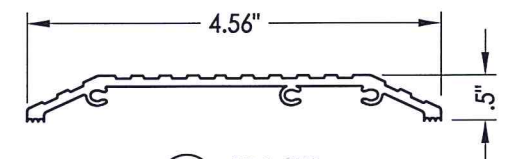


Documents Prepared By: Lyndon F. Schmidt, P.E.  
TEXAS P.E. #104123

**RW** BUILDING CONSULTANTS, INC.  
P.O. Box 230 Valrico FL 33595  
Phone No.: 813.659.9197  
TEXAS BOARD OF PROFESSIONAL ENGINEERS  
CERTIFICATE OF REGISTRATION # F-11852



**27 REINFORCEMENT PLATE**  
16 GA.



**33 ADA SILL**

PRODUCT:	TAYLOR FIBERGLASS DOOR	
PART OR ASSEMBLY:	BILL OF MATERIALS AND COMPONENTS	
NO.	DATE	DESCRIPTION
1	7/06/20	UPDATE TO 2018 IBC/IRC CODE
		LFS
		BY
		REVISIONS
DATE:	11/26/14	
SCALE:	N.T.S.	
DWG. BY:	JK	
CHK. BY:	LFS	
DRAWING NO.:	TX-4514	
SHEET	9 OF 9	