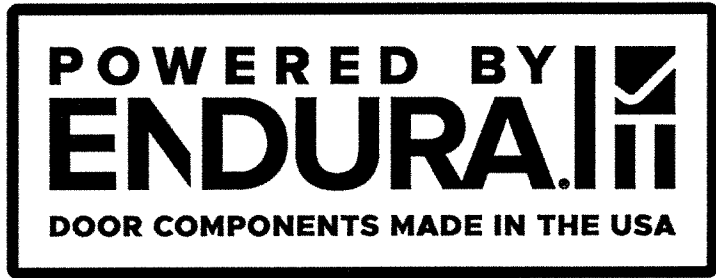


R:\Clients\Endura PERMANENT\B - Texas Dept of Ins\TDI - DR-610 Therma-Tru Flush GLZ\Drawings\2019 REV\TX-4423-24.dwg, TX-4423



Glazed Fiberglass Door

"NON-IMPACT"

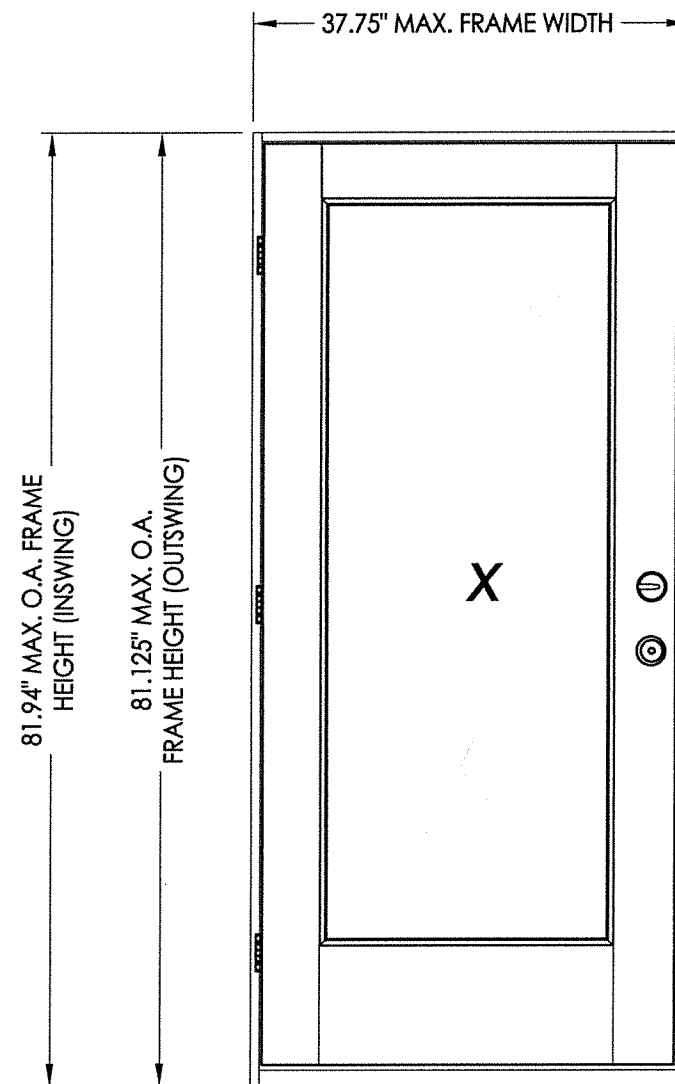
IN SWING / OUT SWING

EVALUATED FOR USE IN THE STATE OF TEXAS

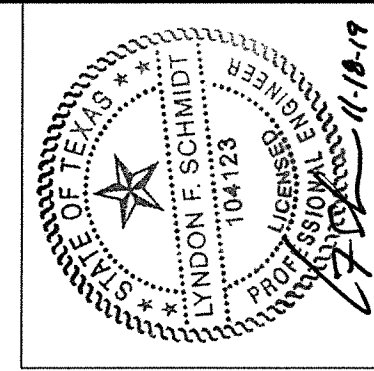
The Glazed Fiberglass Door system described herein complies with the 2018 International Residential Code (IRC), Sections R301 & R609 and the 2018 International Building Code (IBC), Sections 1404.13, 1609, 1709.5, 2403 and 2404 subject to the following conditions:

1. Anchors shall be as listed and spaced as shown in the details. Anchor embedment to base material shall be beyond wall dressing or stucco.
2. When used in areas requiring wind-borne debris protection this product is required to be protected with an impact resistant covering that complies with Section R301.2.1.2 of the IRC and Section 1609.2 of the IBC.
3. Allowable design pressure requirements must be equal to or less than the design pressure rating shown in the design pressure chart, sheet 1 of this drawing.
4. Conditions not covered by this drawing are subject to further engineering analysis.

| TABLE OF CONTENTS | |
|-------------------|--|
| SHEET# | DESCRIPTION |
| 1 | Typical elevations, design pressures & general notes |
| 2 | Door panel details (flush glazing) |
| 3 | Horizontal & vertical cross sections |
| 4 | Vertical cross sections |
| 5 | Frame anchoring |



| CONFIG. | MODEL | DESIGN PRESSURE (PSF) | |
|---------|-----------|-----------------------|----------|
| | | POSITIVE | NEGATIVE |
| X | IN SWING | +50.0 | -55.0 |
| | OUT SWING | +60.0 | -60.0 |



Documents Prepared By: Lyndon F. Schmidt, P.E.
TEXAS P.E. #104123

RW BUILDING CONSULTANTS, INC.
P.O. Box 230 Vairico FL 33595
Phone No.: 813.659.9197

TEXAS BOARD OF PROFESSIONAL ENGINEERS
CERTIFICATE OF REGISTRATION # F-11852

PRODUCT: ENDURA

PART OR ASSEMBLY: TYPICAL ELEVATION, DESIGN PRESSURES & GENERAL NOTES

| NO. | DATE | REVISIONS |
|-----|----------|--|
| 2 | 11/18/19 | ADD "FusionFrame" OPTION & UPDATE TO 2018 IBC/IRC CODE |
| 1 | 9/05/18 | ADDED ADDITIONAL THRESHOLDS |

DATE: 1/07/14

SCALE: N.T.S.

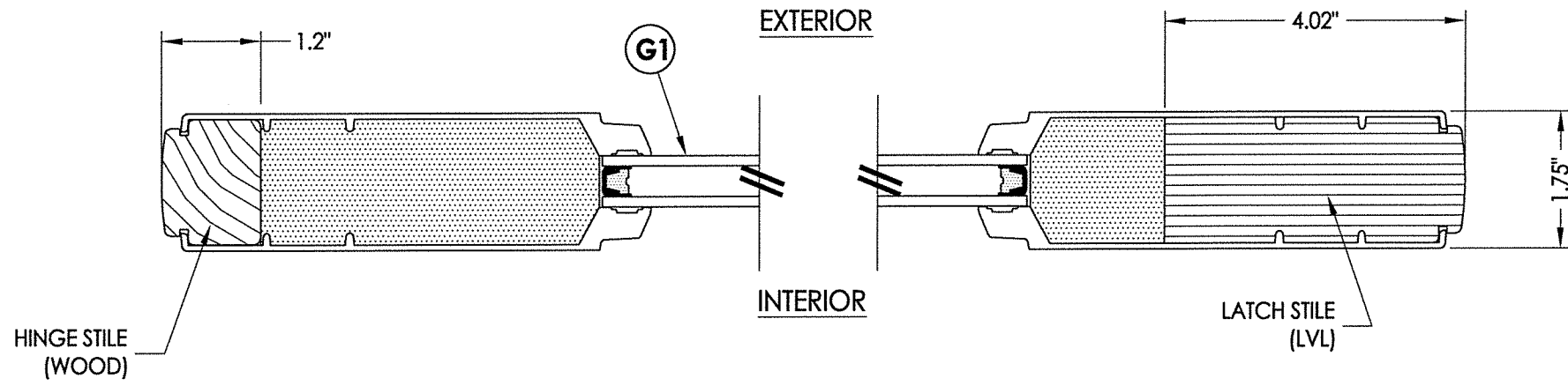
DWG. BY: JK

CHK. BY: LFS

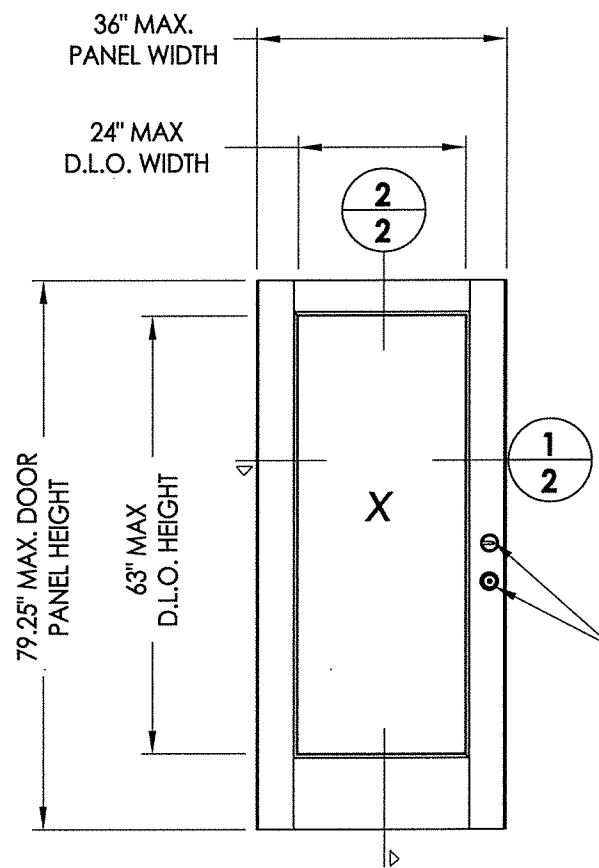
DRAWING NO.: TX-4423

SHEET 1 OF 5

R:\Clients\Endura PERMANENT\B - Texas Dept of Ins\TDI - DR-610 Therma-Tru Flush GLZ\Drawings\2019 REV\TX-4423-24.dwg, 2.7

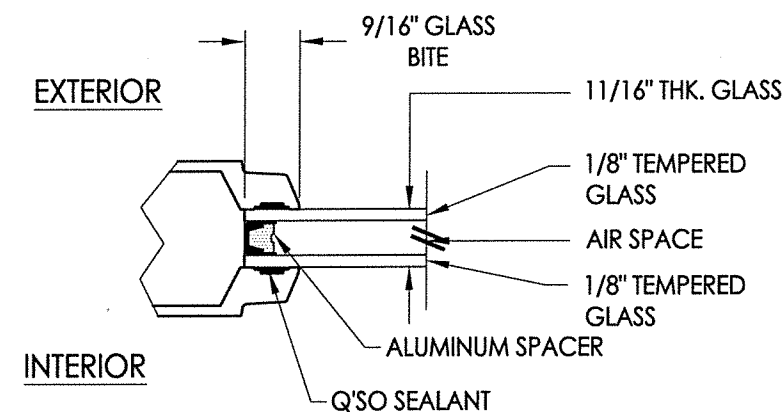


1 HORIZONTAL CROSS SECTION



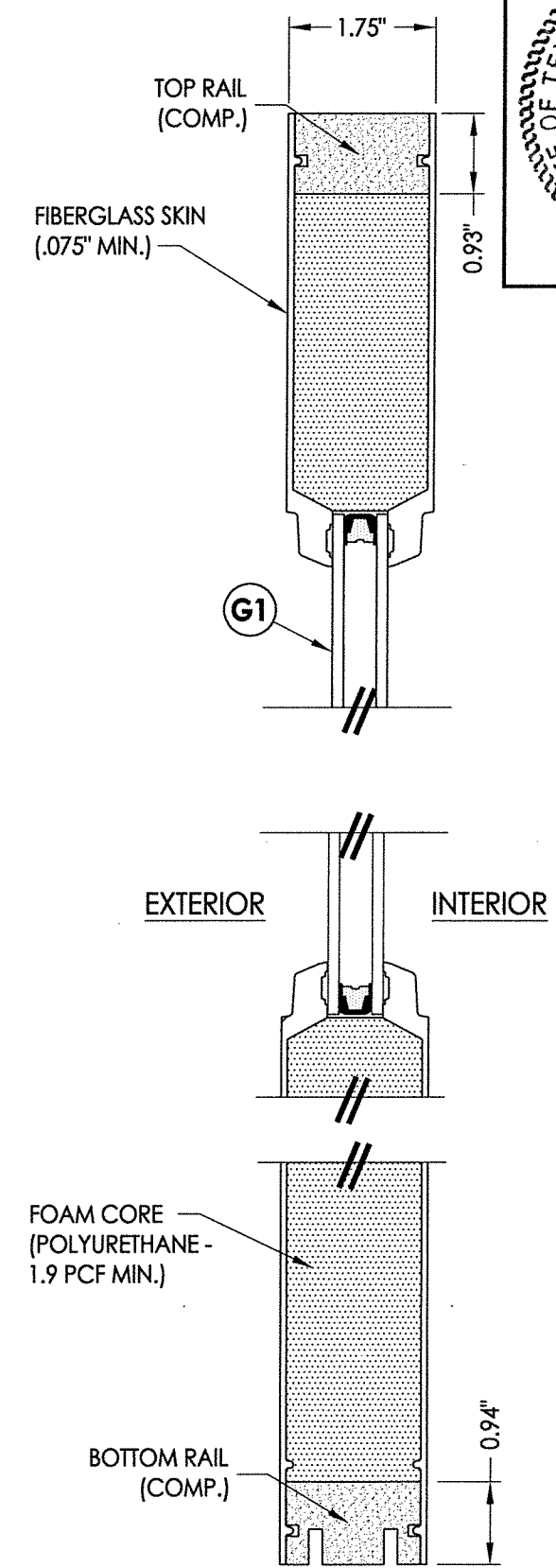
THERMA TRU - Flush Glazed Door/Sidelite Panel (fiberglass)

SEE HARDWARE TABLE

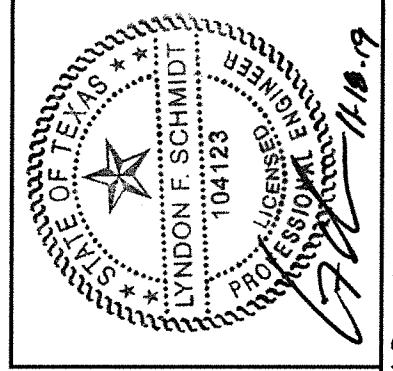


G1 GLAZING DETAIL

| HARDWARE TABLE | |
|----------------|---|
| MANUFACTURER | MODEL |
| KWIKSET | LATCH: KWIKSET SIGNATURE SERIES (991) DEADBOLT: KWIKSET SIGNATURE SERIES (980/985) |



2 VERTICAL CROSS SECTION



Documents Prepared By: Lyndon F. Schmidt, P.E.
TEXAS P.E. #104123

RW BUILDING CONSULTANTS, INC.
P.O. Box 230 Valrico FL 33595
Phone No.: 813.659.9197

TEXAS BOARD OF PROFESSIONAL ENGINEERS
CERTIFICATE OF REGISTRATION # F-11852

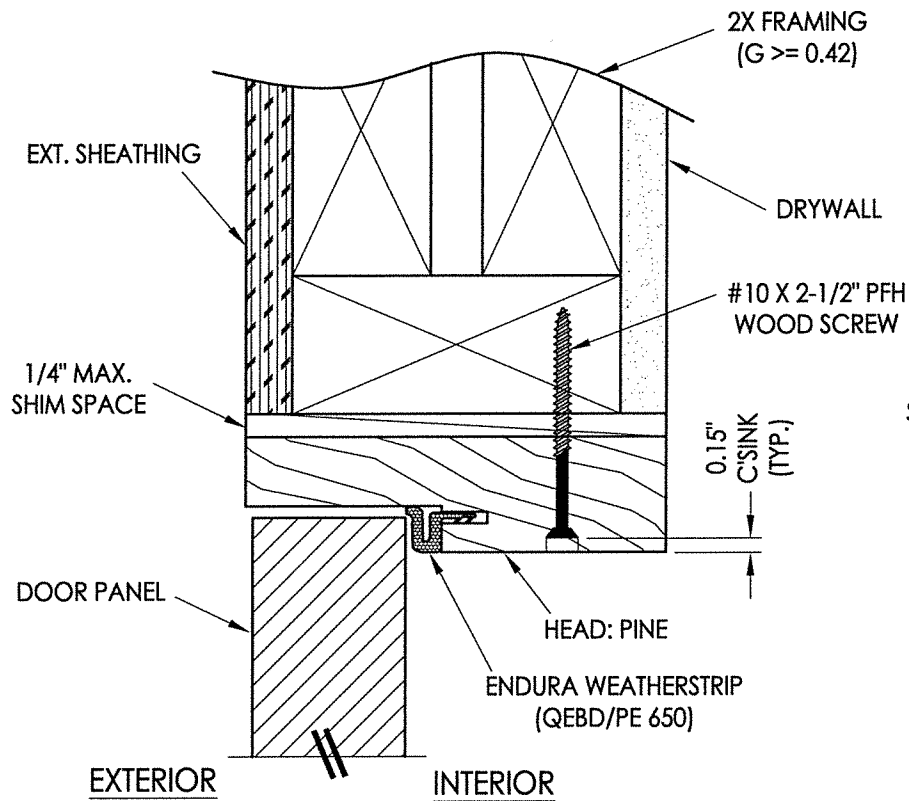
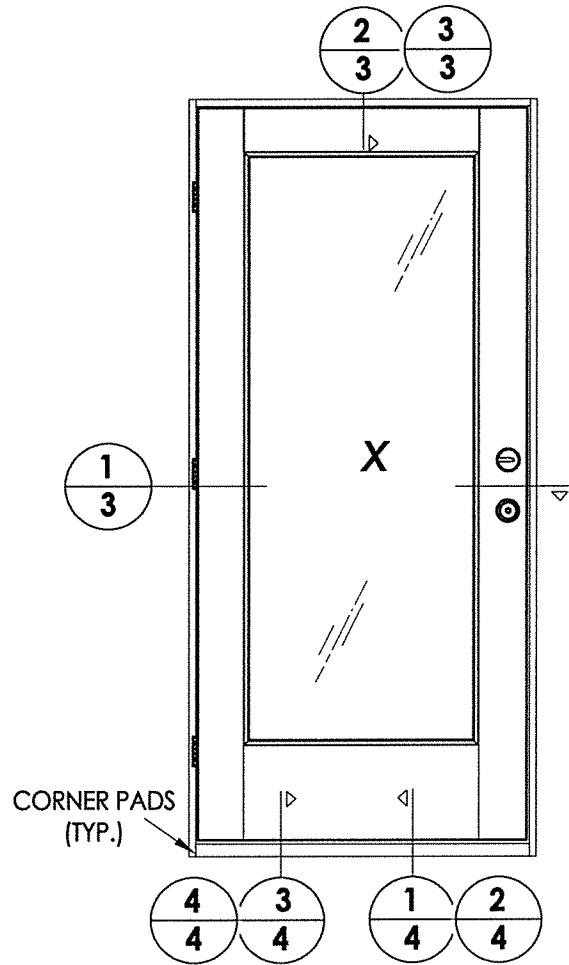
PRODUCT: ENDURA

PART OR ASSEMBLY: DOOR PANEL DETAILS (FLUSH GLAZING)

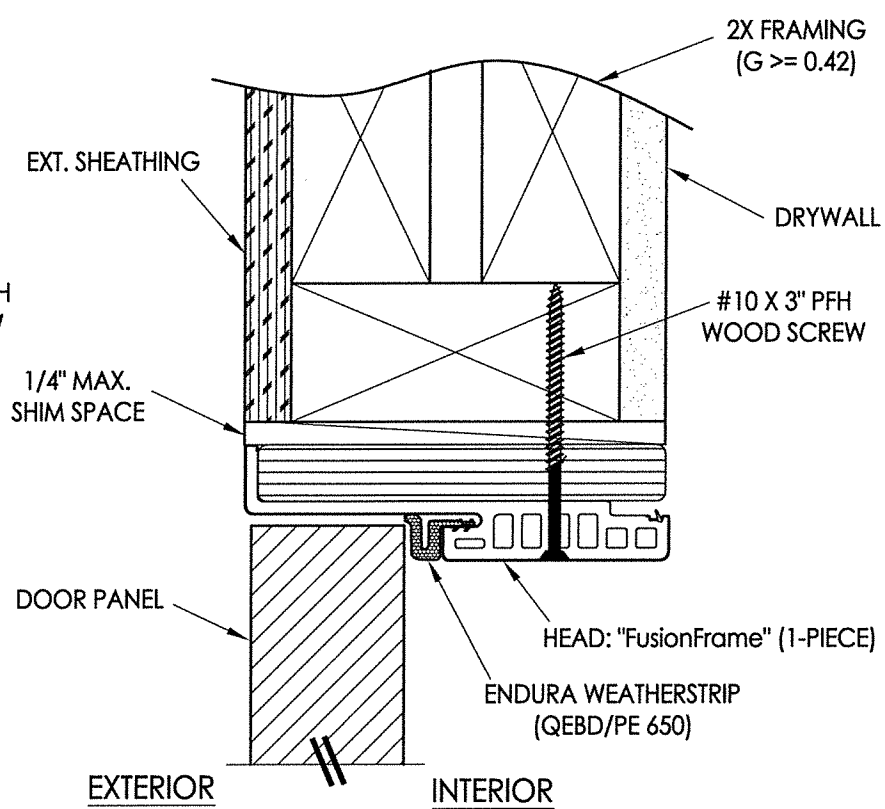
| NO. | DATE | REVISIONS | BY |
|-----|----------|--|-----|
| 2 | 11/18/19 | ADD "FusionFrame" OPTION & UPDATE TO 2018 IBC/IRC CODE | LFS |
| 1 | 9/05/18 | ADDED ADDITIONAL THRESHOLDS | LFS |

DATE: 1/07/14
SCALE: N.T.S.
DWG. BY: JK
CHK. BY: LFS
DRAWING NO.: TX-4423
SHEET 2 OF 5

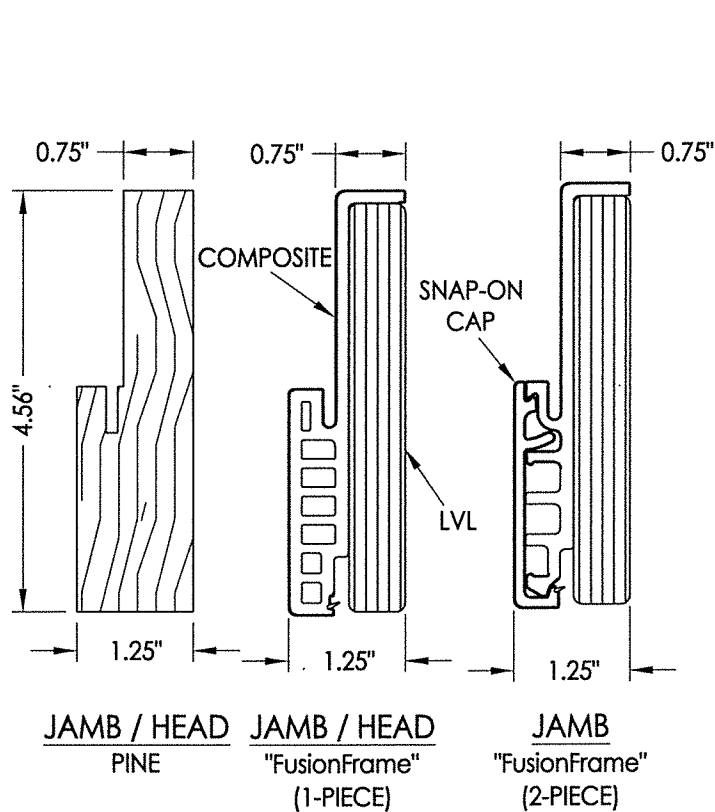
R:\Clients\Endura PERMANENT\B - Texas Dept of Ins\TDI - DR-610 Therma-Tru Flush GLZ Drawings\2019 REV\TX-4423-24.dwg, 3.7



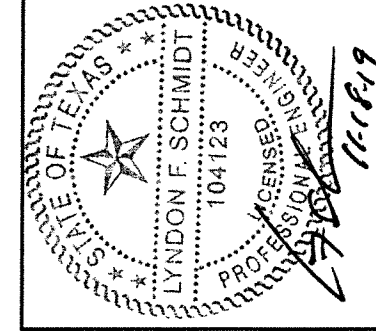
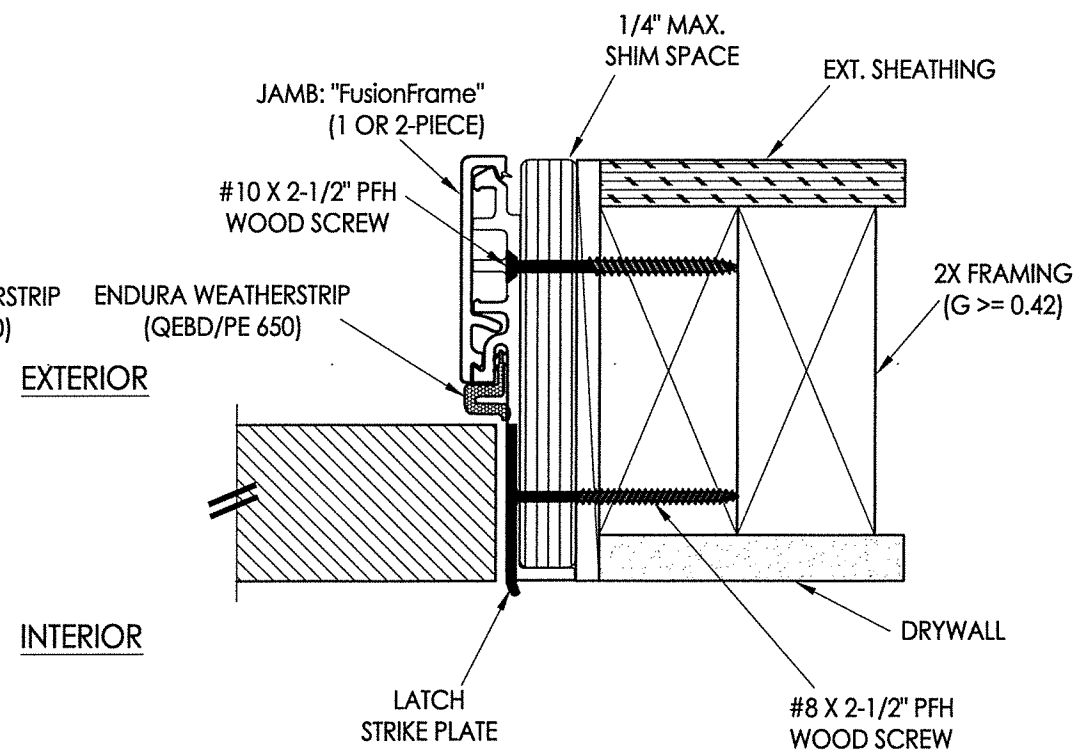
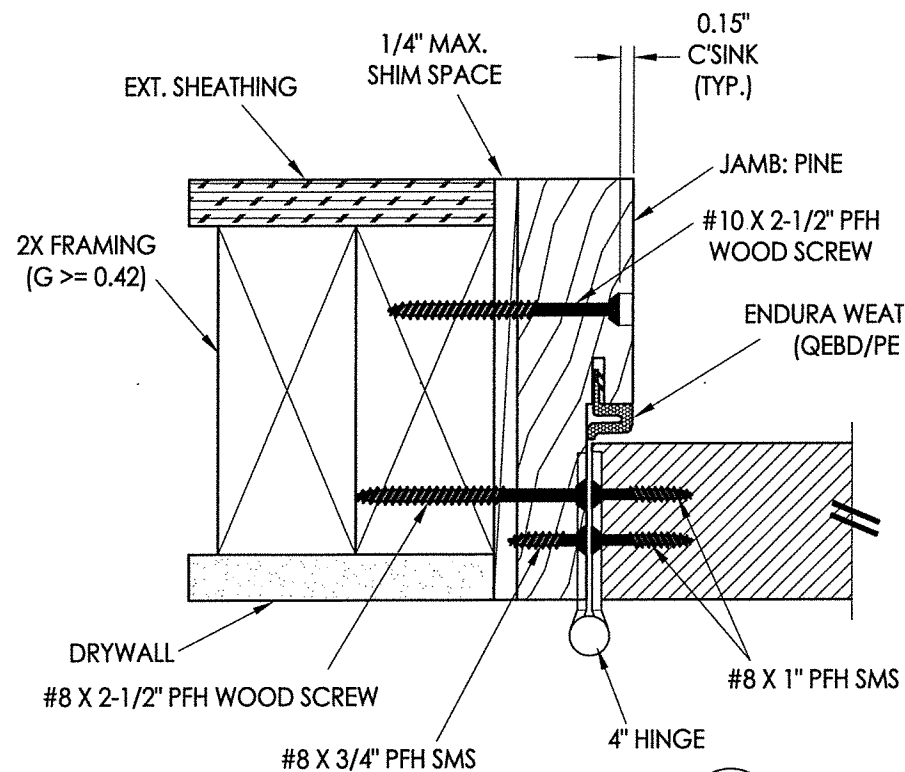
2 VERTICAL CROSS SECTION
 3 Outswing shown - inswing also approved



3 VERTICAL CROSS SECTION
 3 Outswing shown - inswing also approved



1 HORIZONTAL CROSS SECTION
 3 Inswing shown - Outswing also approved



Documents Prepared By: Lyndon F. Schmidt, P.E.
 TEXAS P.E. #104123

RW BUILDING CONSULTANTS, INC.
 P.O. Box 230 Valrico FL, 33595
 Phone No.: 813.659.9197
 TEXAS BOARD OF PROFESSIONAL ENGINEERS
 CERTIFICATE OF REGISTRATION # F-11852

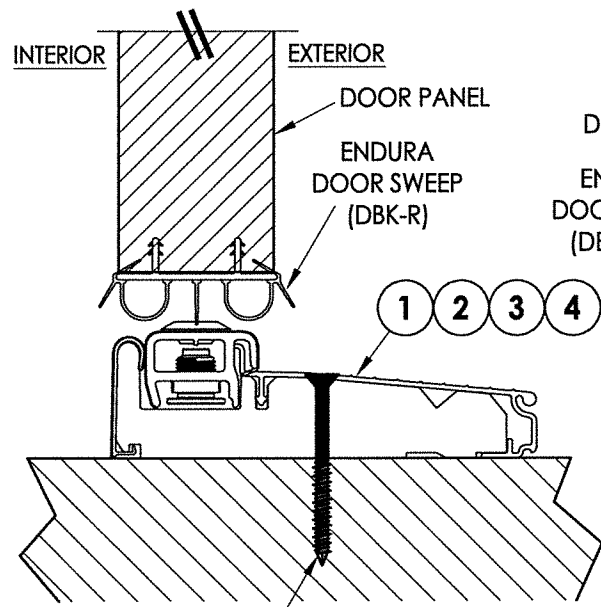
| | |
|-------------------|--------------------------------------|
| PRODUCT: | ENDURA |
| PART OR ASSEMBLY: | HORIZONTAL & VERTICAL CROSS SECTIONS |

| NO. | DATE | REVISIONS |
|-----|----------|--|
| 2 | 11/18/19 | ADD "FusionFrame" OPTION & UPDATE TO 2018 IBC/IRC CODE |
| 1 | 9/05/18 | ADDED ADDITIONAL THRESHOLDS |
| | | |
| | | |

| | |
|--------------|---------|
| DATE: | 1/07/14 |
| SCALE: | N.T.S. |
| DWG. BY: | JK |
| CHK. BY: | LFS |
| DRAWING NO.: | TX-4423 |
| SHEET | 3 OF 5 |

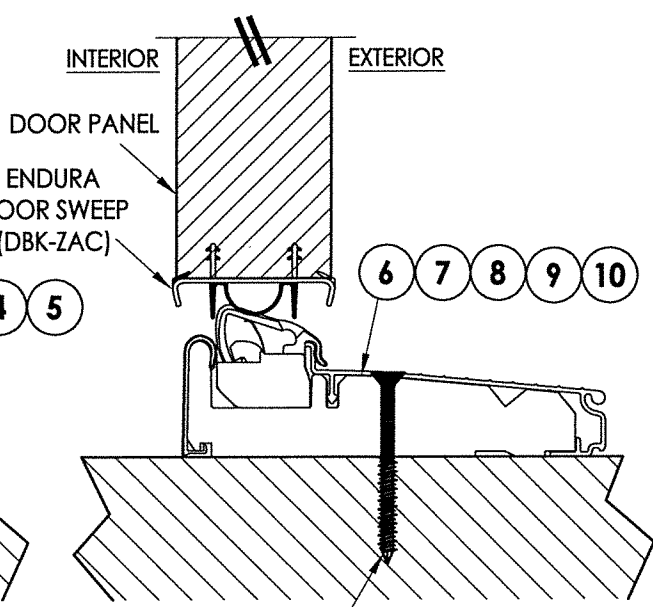
© 2014 R.W. BUILDING CONSULTANTS INC.

R:\Clients\Endura PERMANENT\B - Texas Dept of Ins\TDI - DR-610 Therma-Tru Flush GLZ Drawings\2019 REV\TX-4423-24.dwg, 4.7



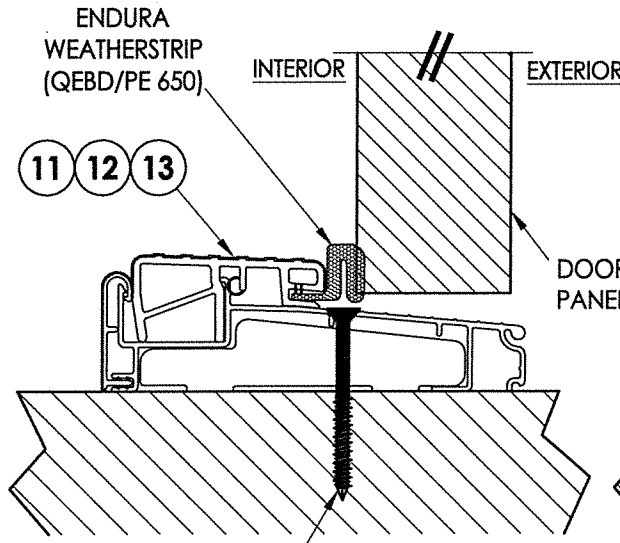
#10 X 2.5\"/>

1 VERTICAL CROSS SECTION
4 Inswing Adjustable Threshold



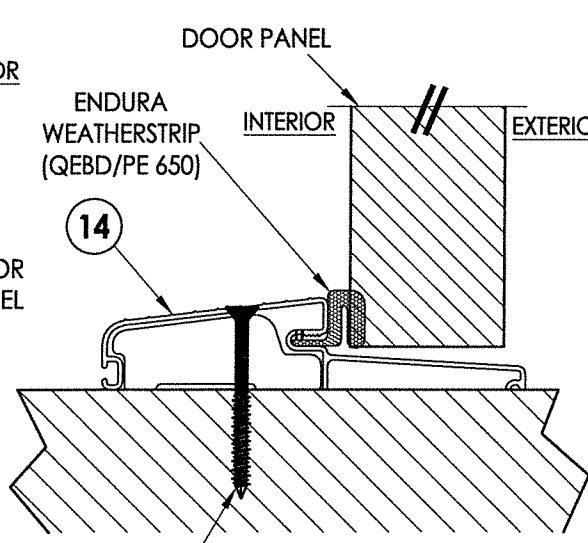
#10 X 2.5\"/>

2 VERTICAL CROSS SECTION
4 Inswing Articulating Threshold



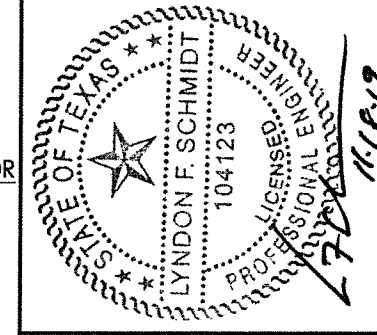
#10 X 2.5\"/>

3 VERTICAL CROSS SECTION
4 Outswing Bump Threshold



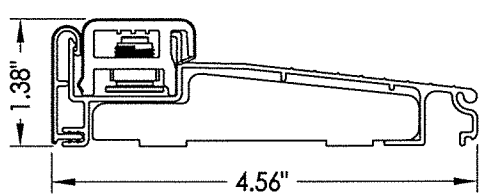
#10 X 2.5\"/>

4 VERTICAL CROSS SECTION
4 Outswing Bump Threshold

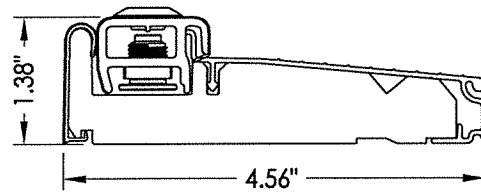


Documents Prepared By: Lyndon F. Schmidt, P.E.
TEXAS P.E. #104123

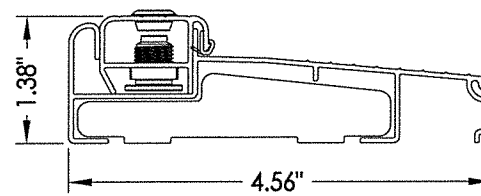
RW BUILDING CONSULTANTS, INC.
P.O. Box 230 Valrico FL 33595
Phone No.: 813.659.9197
TEXAS BOARD OF PROFESSIONAL ENGINEERS
CERTIFICATE OF REGISTRATION # F-11852



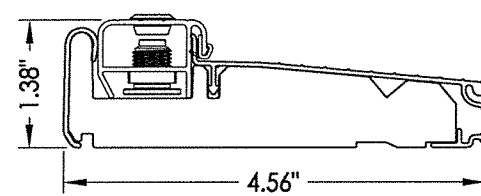
1 INSWING ADJUSTABLE THRESHOLD
ZAIL4565



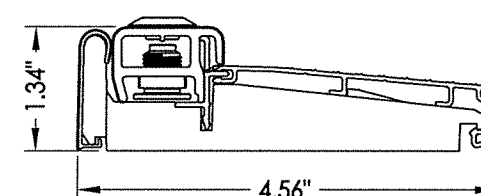
2 INSWING ADJUSTABLE THRESHOLD
ZAI4565FN



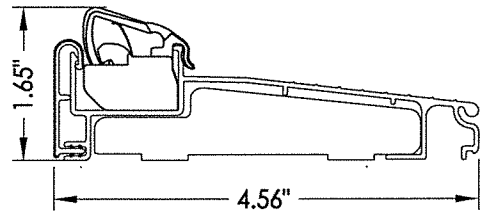
3 INSWING ADJUSTABLE THRESHOLD
ZAILAA4565



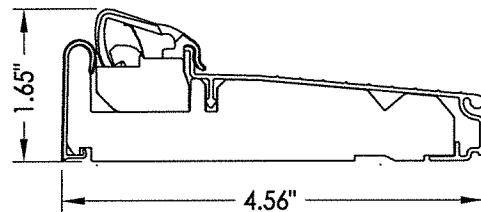
4 INSWING ADJUSTABLE THRESHOLD
ZAIAA4565FN



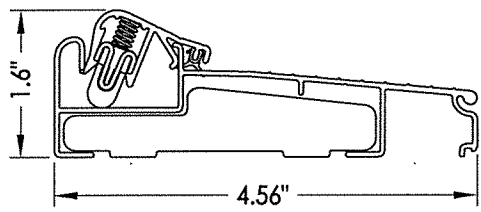
5 INSWING ADJUSTABLE THRESHOLD
ZAI4565RDS



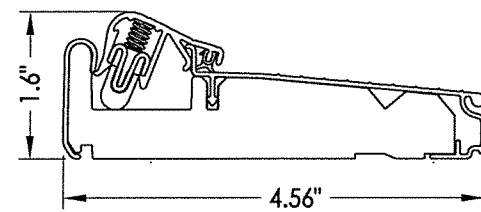
6 INSWING ARTICULATING THRESHOLD
ZACL4565



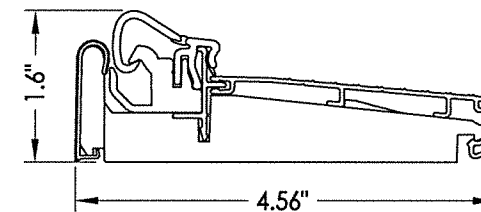
7 INSWING ARTICULATING THRESHOLD
ZAC4565FN



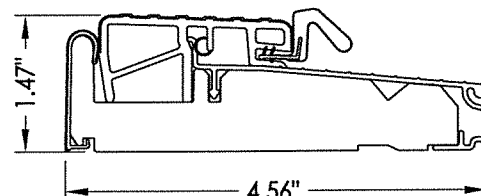
8 INSWING ARTICULATING THRESHOLD
ZACLAA4565



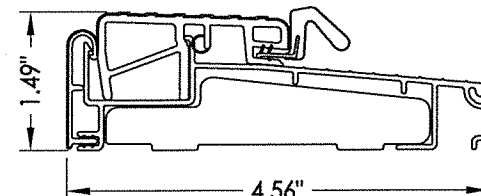
9 INSWING ARTICULATING THRESHOLD
ZACAA4565FN



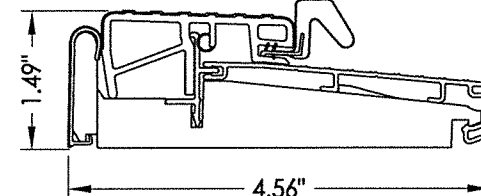
10 INSWING ARTICULATING THRESHOLD
ZAC4565RDS



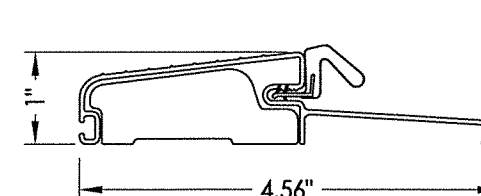
11 OUTSWING THRESHOLD
ZOB4565FN



12 OUTSWING THRESHOLD
ZOBL4565



13 OUTSWING THRESHOLD
ZOB4565RDS



14 OUTSWING THRESHOLD
FOB4566

PRODUCT: ENDURA

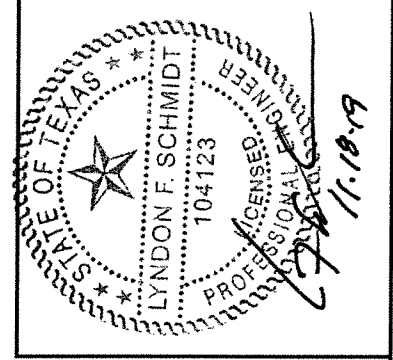
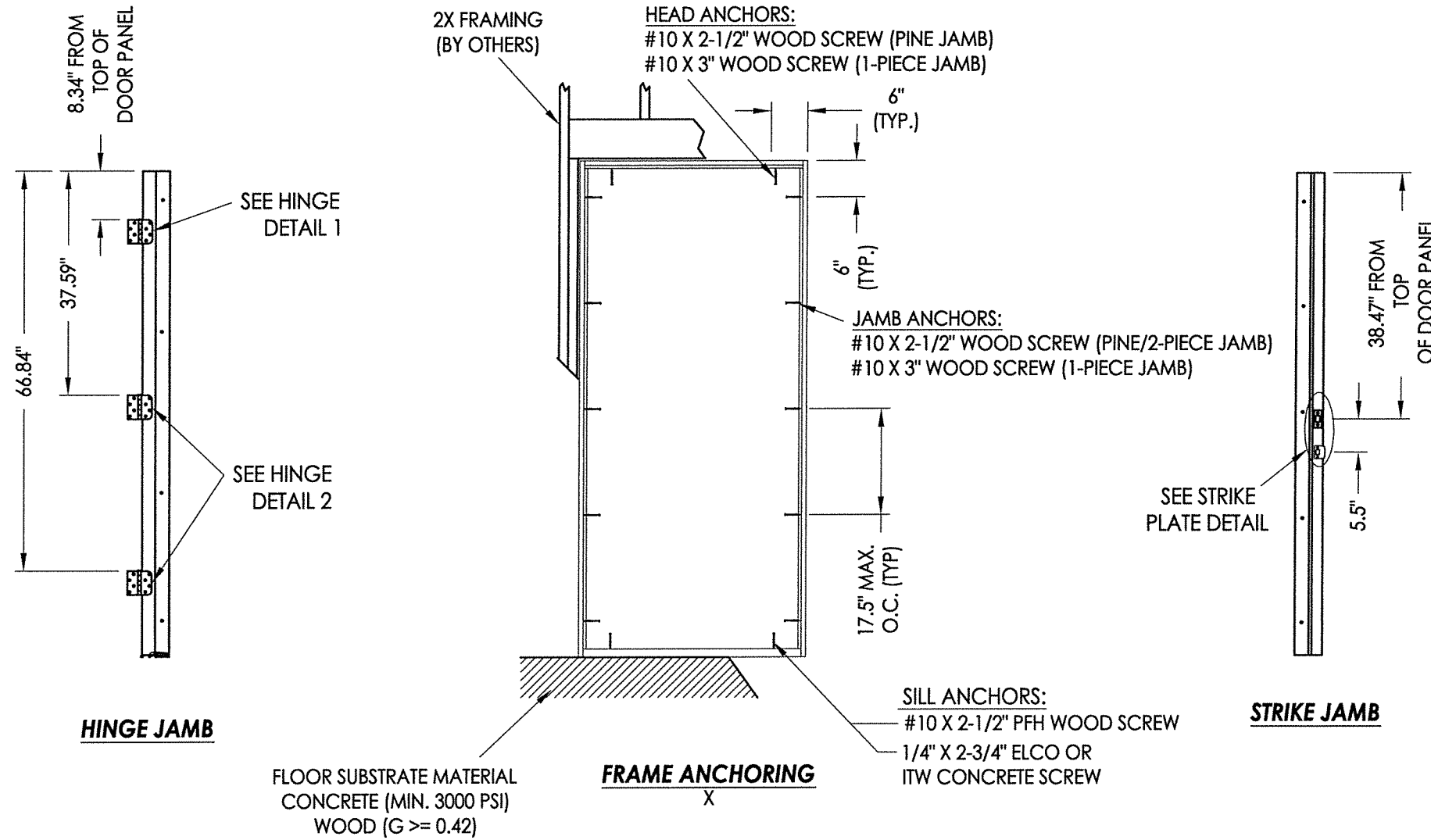
PART OR ASSEMBLY:
VERTICAL CROSS SECTIONS

| NO. | DATE | BY | REVISIONS |
|-----|----------|-----|--|
| 2 | 11/18/19 | LFS | ADD "FusionFrame" OPTION & UPDATE TO 2018 IBC/IRC CODE |
| 1 | 9/05/18 | LFS | ADDED ADDITIONAL THRESHOLDS |

| | |
|--------------|---------|
| DATE: | 1/07/14 |
| SCALE: | N.T.S. |
| DWG. BY: | JK |
| CHK. BY: | LFS |
| DRAWING NO.: | TX-4423 |
| SHEET | 4 OF 5 |

© 2014 R.W. BUILDING CONSULTANTS INC.

R:\Clients\Endura PERMANENT\B - Texas Dept of Ins\TDI - DR-610 Therma-Tru Flush GLZ\Drawings\2019 REV\TX-4423-24.dwg, 5.7



Documents Prepared By: Lyndon F. Schmidt, P.E.
TEXAS P.E. #104123

RW BUILDING CONSULTANTS, INC.
P.O. Box 230 Valrico FL, 33595
Phone No.: 813.659.9197

TEXAS BOARD OF PROFESSIONAL ENGINEERS
CERTIFICATE OF REGISTRATION # F-11852

PRODUCT: ENDURA

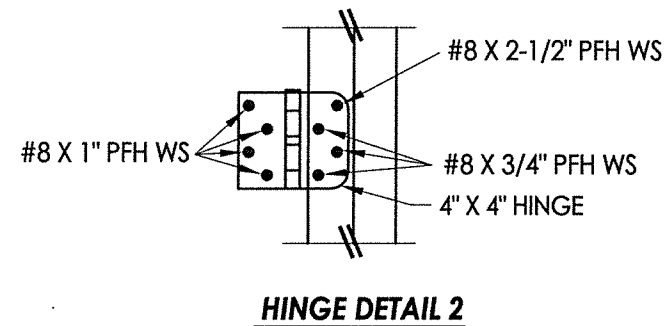
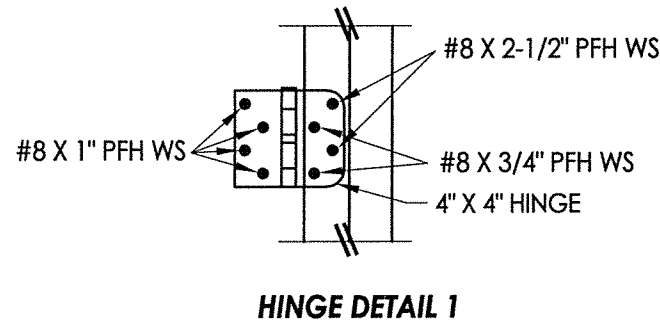
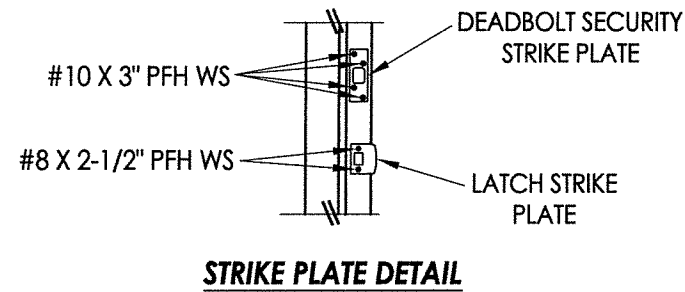
PART OR ASSEMBLY: FRAME ANCHORING

| NO. | DATE | REVISIONS |
|-----|----------|--|
| 2 | 11/18/19 | ADD "FusionFrame" OPTION & UPDATE TO 2018 IBC/IRC CODE |
| 1 | 9/05/18 | ADDED ADDITIONAL THRESHOLDS |
| | | LFS |
| | | BY |

JAMB NOTES:
THE PINE OR "FusionFrame" 1-PIECE JAMB MAY BE INSTALLED @ THE HEAD OR SIDE JAMB.
THE "FusionFrame" 2-PIECE JAMB MAY BE INSTALLED @ THE SIDE JAMBS ONLY.

- CONCRETE ANCHOR NOTES:**
- Concrete anchor locations at the corners may be adjusted to maintain the min. edge distance to mortar joints.
 - Concrete anchor locations noted as "MAX. ON CENTER" must be adjusted to maintain the min. edge distance to mortar joints, additional concrete anchors may be required to ensure the "MAX. ON CENTER" dimension are not exceeded.
 - Concrete anchor table:

| ANCHOR TYPE | ANCHOR SIZE | MIN. EMBEDMENT | MIN. CLEARANCE TO MASONRY EDGE | MIN. CLEARANCE TO ADJACENT ANCHOR |
|----------------|-------------|----------------|--------------------------------|-----------------------------------|
| ITW TAPCON® | 1/4" | 1-3/4" | 1-1/2" | 4" |
| ELCO ULTRACON® | 1/4" | 1-3/4" | 1" | 4" |



DATE: 1/07/14

SCALE: N.T.S.

DWG. BY: JK

CHK. BY: LFS

DRAWING NO.: TX-4423

SHEET 5 OF 5

© 2014 R.W. BUILDING CONSULTANTS INC.