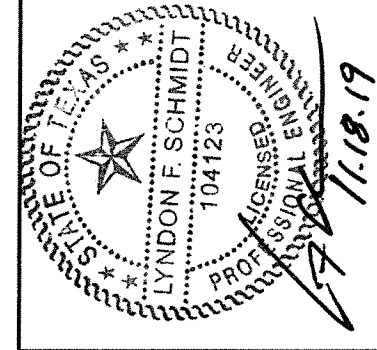
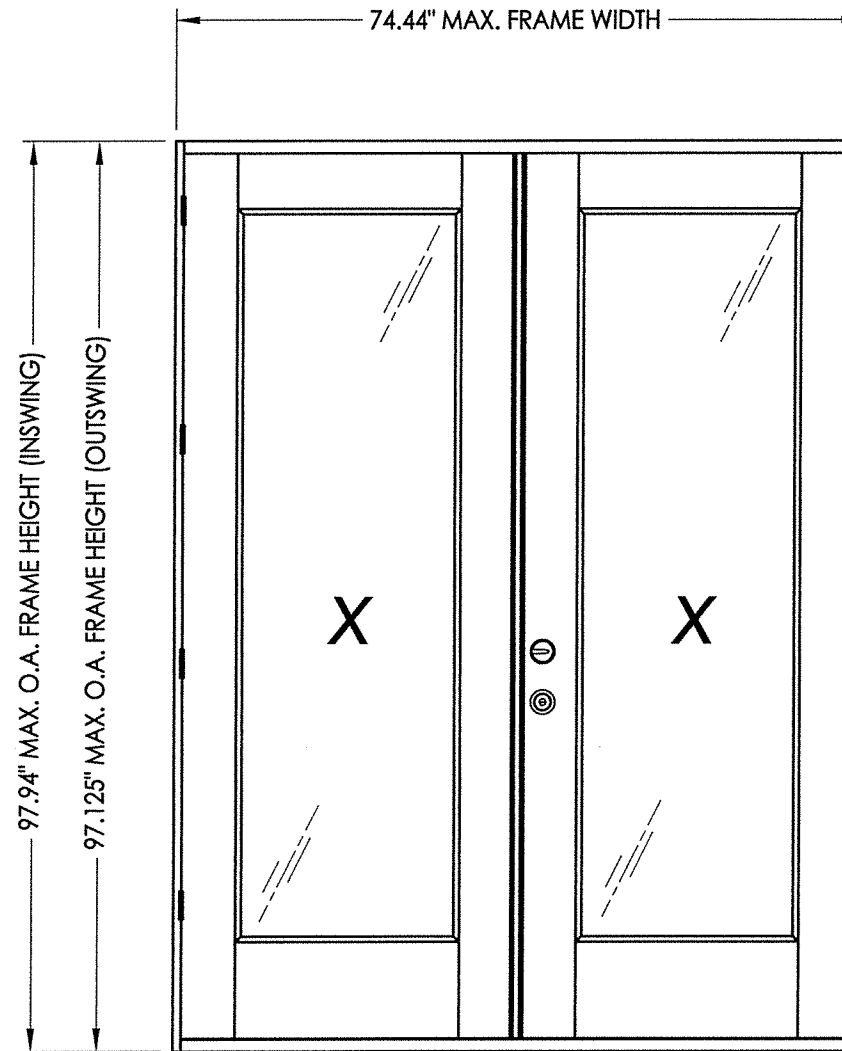




Glazed Fiberglass Door

"NON-IMPACT"
IN SWING / OUT SWING



Documents Prepared By: Lyndon F. Schmidt, P.E.
TEXAS P.E. #104123

RW BUILDING CONSULTANTS, INC.
P.O. Box 230 Valrico FL 33595
Phone No.: 813.659.9197

TEXAS BOARD OF PROFESSIONAL ENGINEERS
CERTIFICATE OF REGISTRATION # F-11852

EVALUATED FOR USE IN THE STATE OF TEXAS

The Glazed Fiberglass Door system described herein complies with the 2018 International Residential Code (IRC), Sections R301 & R609 and the 2018 International Building Code (IBC), Sections 1404.13, 1609, 1709.5, 2403 and 2404 subject to the following conditions:

1. Anchors shall be as listed and spaced as shown in the details. Anchor embedment to base material shall be beyond wall dressing or stucco.
2. When used in areas requiring wind-borne debris protection this product is required to be protected with an impact resistant covering that complies with Section R301.2.1.2 of the IRC and Section 1609.2 of the IBC.
3. Allowable design pressure requirements must be equal to or less than the design pressure rating shown in the design pressure chart, sheet 1 of this drawing.
4. Conditions not covered by this drawing are subject to further engineering analysis.

TABLE OF CONTENTS	
SHEET#	DESCRIPTION
1	Typical elevations, design pressures & general notes
2	Astragal details (Ultimate Flip Lever)
3	Astragal details (Ultimate Multipoint)
4	Astragal details (Ultimate Hurricane)
5	Door panel details (flush glazing)
6	Horizontal & vertical cross sections
7	Vertical cross sections
8	Frame anchoring

CONFIG.	MODEL	DESIGN PRESSURE (PSF) ULTIMATE HURRICANE ASTRAGAL		DESIGN PRESSURE (PSF) ULTIMATE MULTIPOINT ASTRAGAL		DESIGN PRESSURE (PSF) ULTIMATE FLIP LEVER ASTRAGAL	
		POSITIVE	NEGATIVE	POSITIVE	NEGATIVE	POSITIVE	NEGATIVE
XX	IN SWING	+40.0	-40.0	+45.0	-50.0	+35.0	-40.0
	OUT SWING	+40.0	-40.0	+45.0	-45.0	+35.0	-35.0

PRODUCT: ENDURA

PART OR ASSEMBLY: TYPICAL ELEVATION, DESIGN PRESSURES & GENERAL NOTES

NO.	DATE	REVISIONS
4	11/18/19	ADD "FusionFrame" OPTION & UPDATE TO 2018 IBC/IRC CODE
3	9/05/18	ADDED ADDITIONAL THRESHOLDS
2	5/5/15	ADD NEW ASTRAGAL PIN CAPTURE
1	1/07/14	ADDED ARTICULATING SILL

DATE: 8/07/12

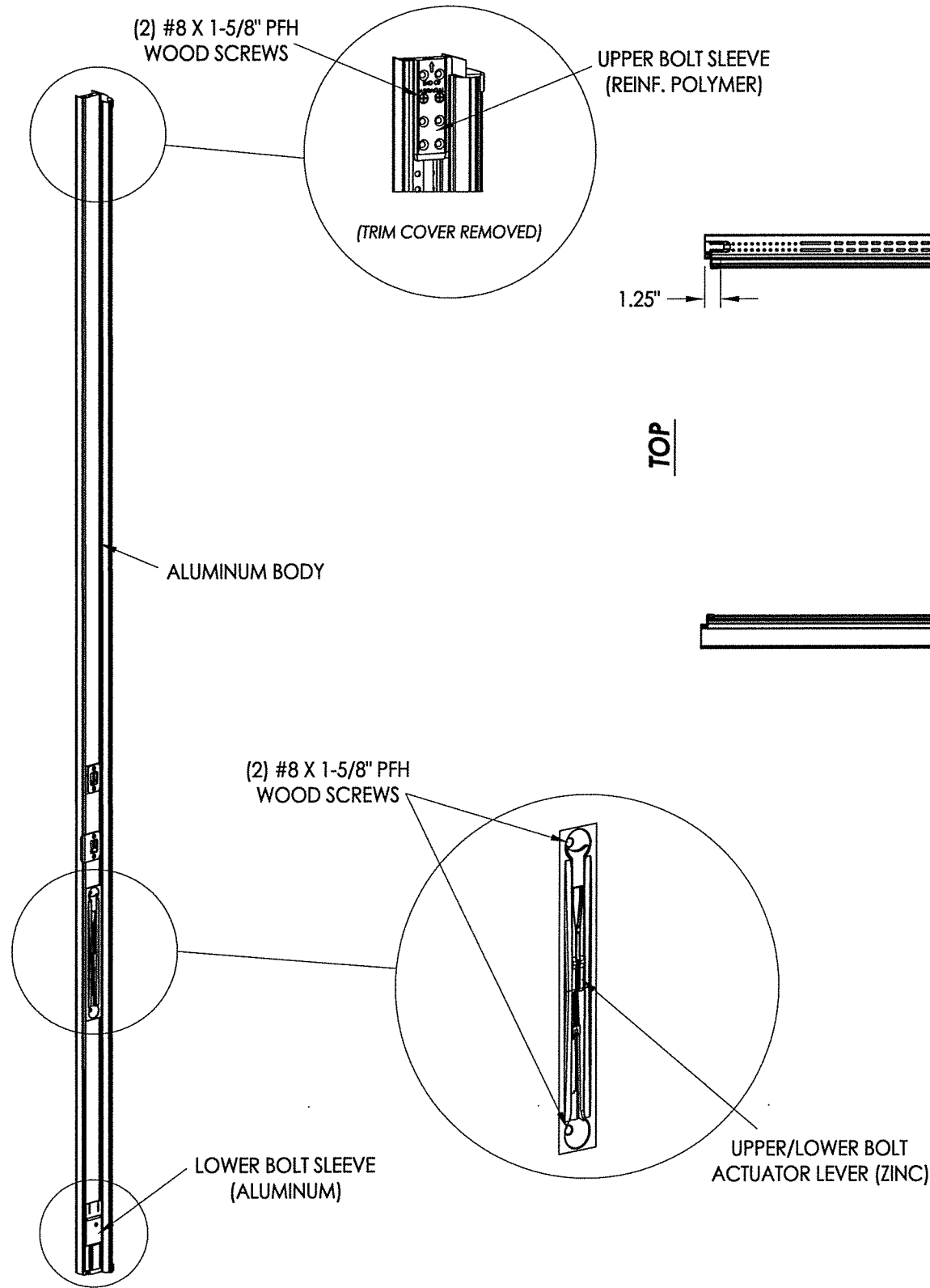
SCALE: N.T.S.

DWG. BY: JK

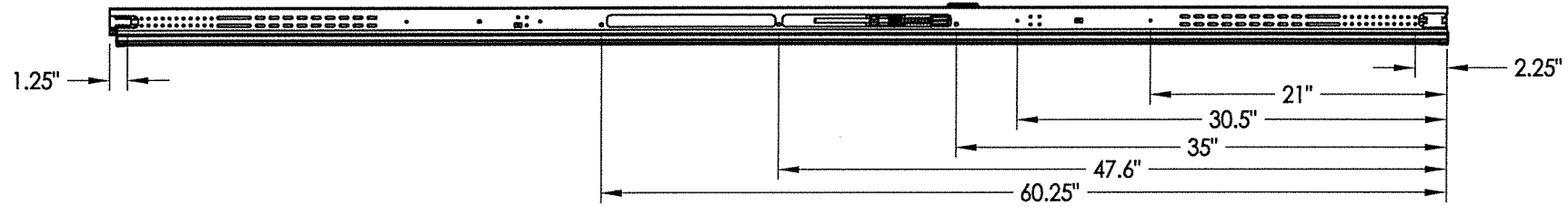
CHK. BY: LFS

DRAWING NO.: TX-4205

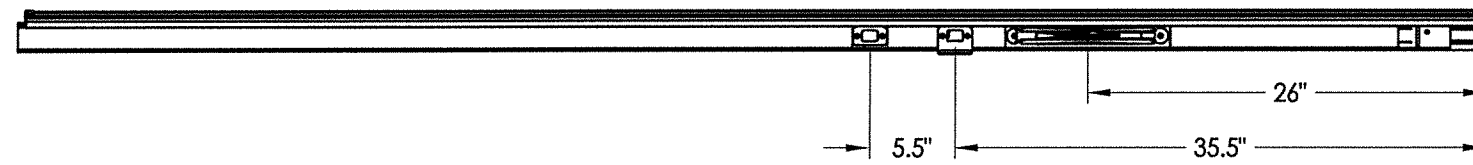
SHEET 1 OF 8



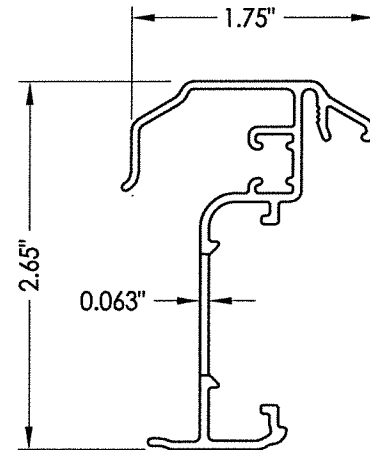
ULTIMATE FLIP LEVER ASTRAGAL



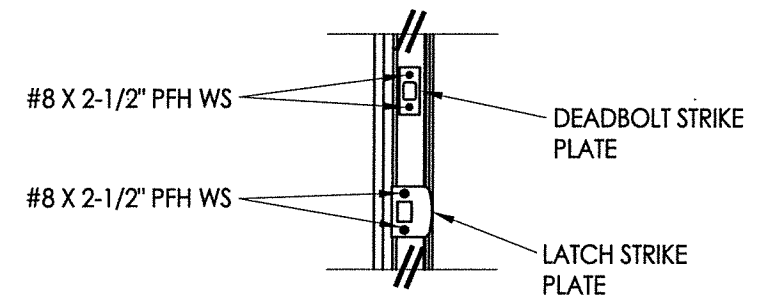
ANCHOR SCREW LOCATIONS



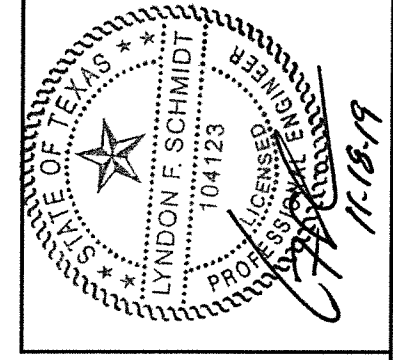
HARDWARE LOCATIONS



ASTRAGAL SECTION



LATCH & DEADBOLT DETAIL



Documents Prepared By: Lyndon F. Schmidt, P.E.
TEXAS P.E. #104123

R.W. BUILDING CONSULTANTS, INC.
P.O. Box 230 Valrico FL, 33595
Phone No.: 813.659.9197

TEXAS BOARD OF PROFESSIONAL ENGINEERS
CERTIFICATE OF REGISTRATION # F-11852

PRODUCT: ENDURA

PART OR ASSEMBLY: ASTRAGAL DETAILS (ULTIMATE FLIP LEVER)

NO.	DATE	REVISIONS
4	11/18/19	ADD "FusionFrame" OPTION & UPDATE TO 2018 IBC/IRC CODE
3	9/05/18	ADDED ADDITIONAL THRESHOLDS
2	5/5/15	ADD NEW ASTRAGAL PIN CAPTURE
1	1/07/14	ADDED ARTICULATING SILL
		BY

DATE: 8/07/12

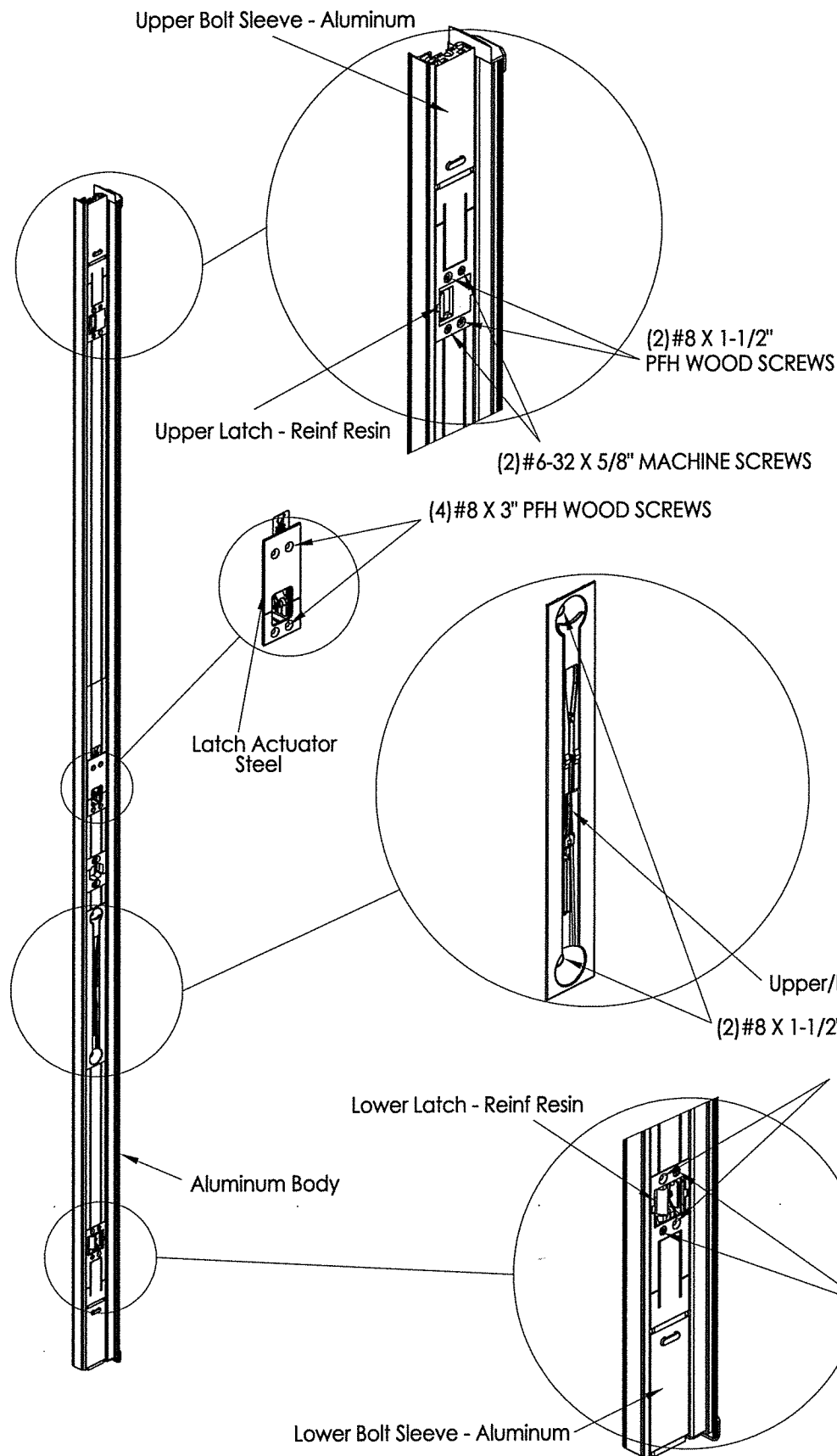
SCALE: N.T.S.

DWG. BY: JK

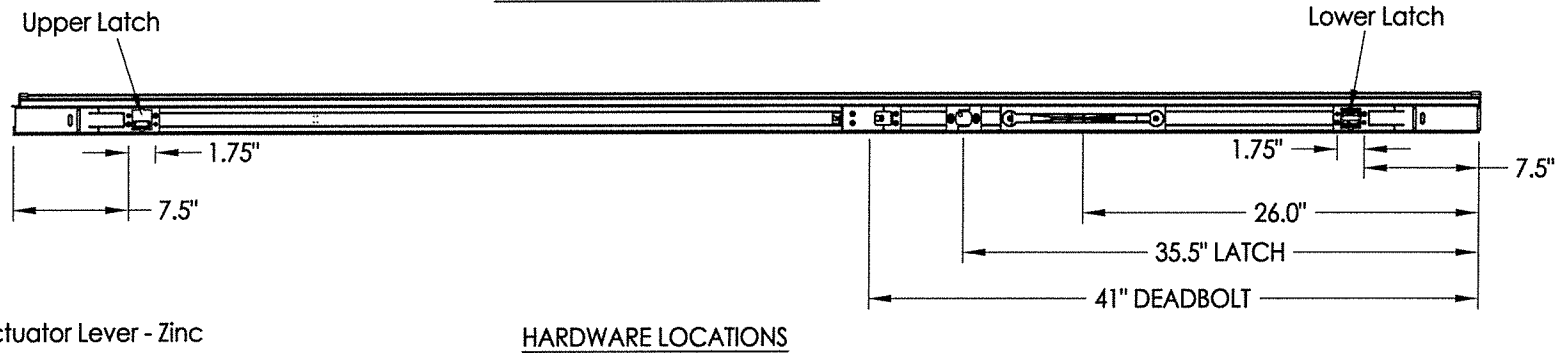
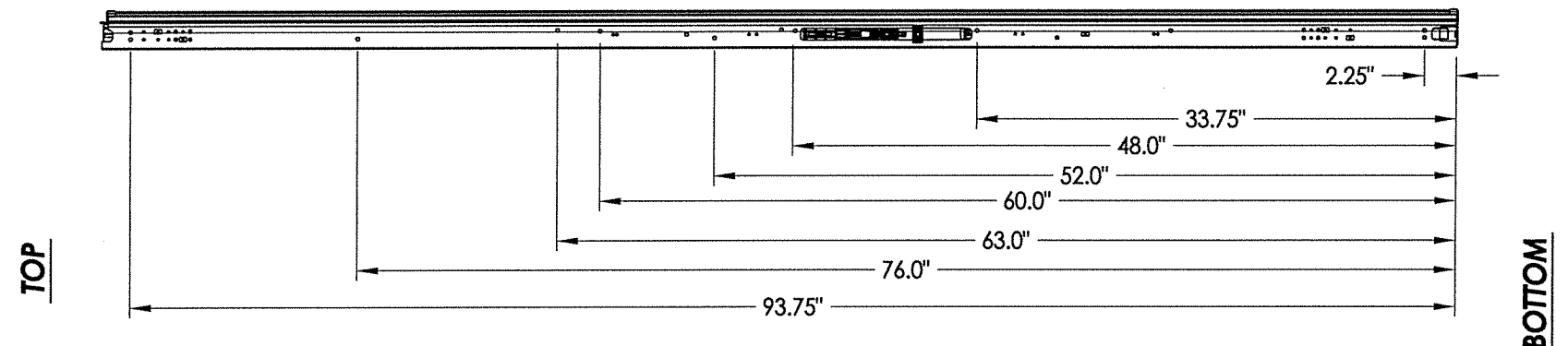
CHK. BY: LFS

DRAWING NO.: TX-4205

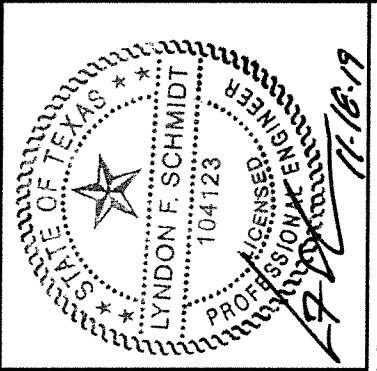
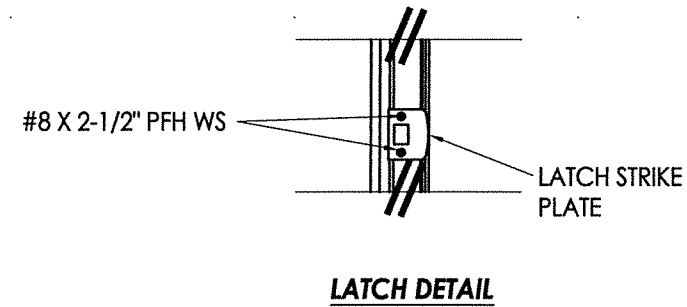
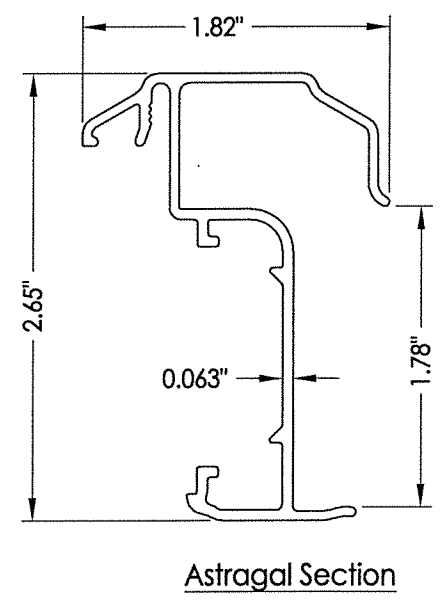
SHEET 2 OF 8



ULTIMATE MULTIPOINT ASTRAGAL



HARDWARE LOCATIONS



Documents Prepared By: Lyndon F. Schmidt, P.E.
 TEXAS P.E. #104123

RW BUILDING CONSULTANTS, INC.
 P.O. Box 230 Vairico FL, 33595
 Phone No.: 813.659.9197

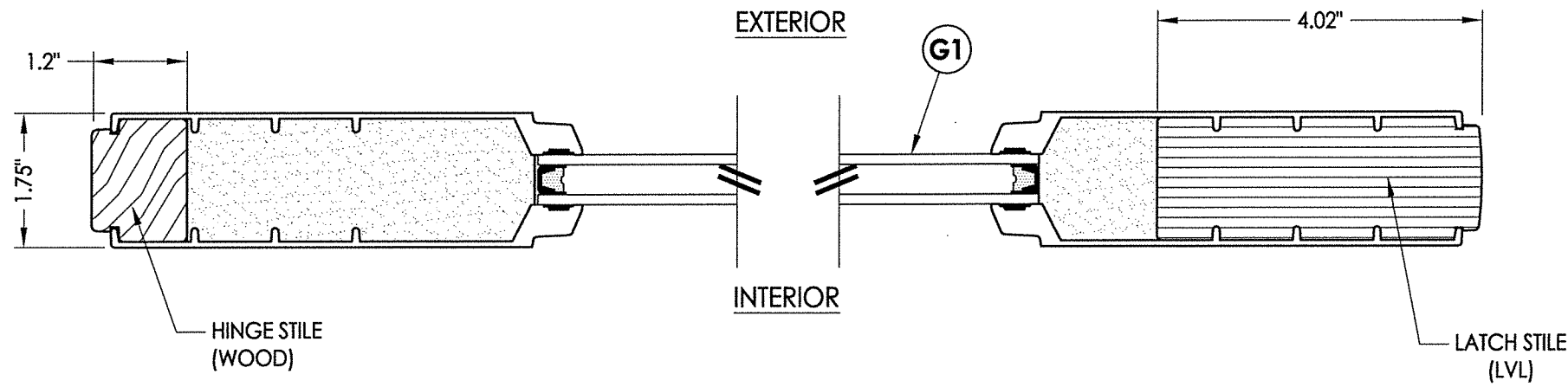
TEXAS BOARD OF PROFESSIONAL ENGINEERS
 CERTIFICATE OF REGISTRATION # F-11852

PRODUCT: ENDURA

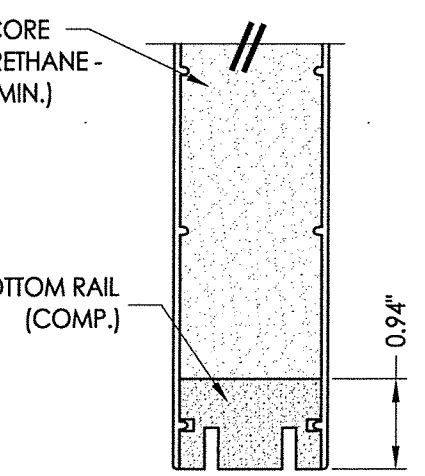
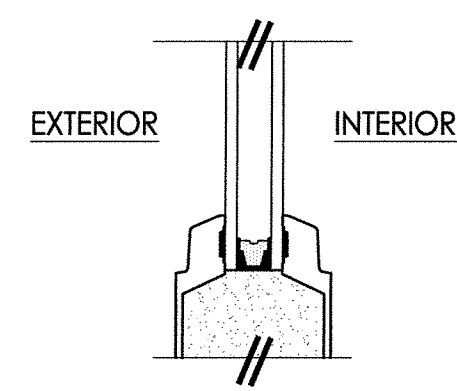
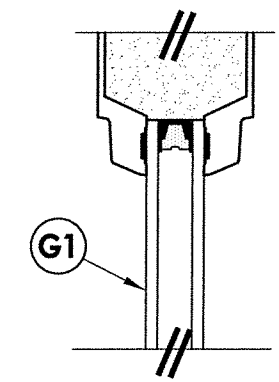
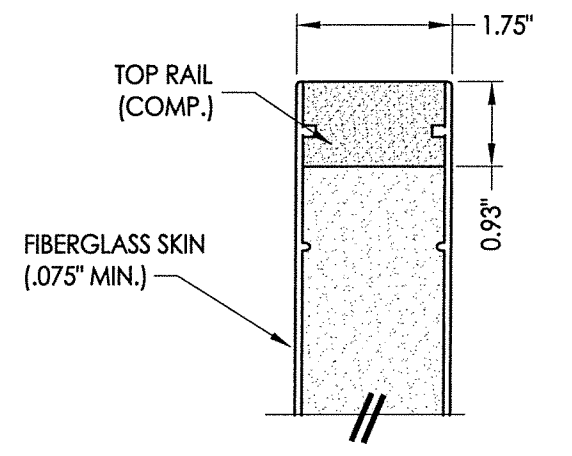
PART OR ASSEMBLY: ASTRAGAL DETAILS (ULTIMATE MULTI-POINT)

NO.	DATE	REVISIONS	BY
4	11/18/19	ADD "FusionFrame" OPTION & UPDATE TO 2018 IBC/IRC CODE	LFS
3	9/05/18	ADDED ADDITIONAL THRESHOLDS	LFS
2	5/5/15	ADD NEW ASTRAGAL PIN CAPTURE	LFS
1	1/07/14	ADDED ARTICULATING SILL	LFS

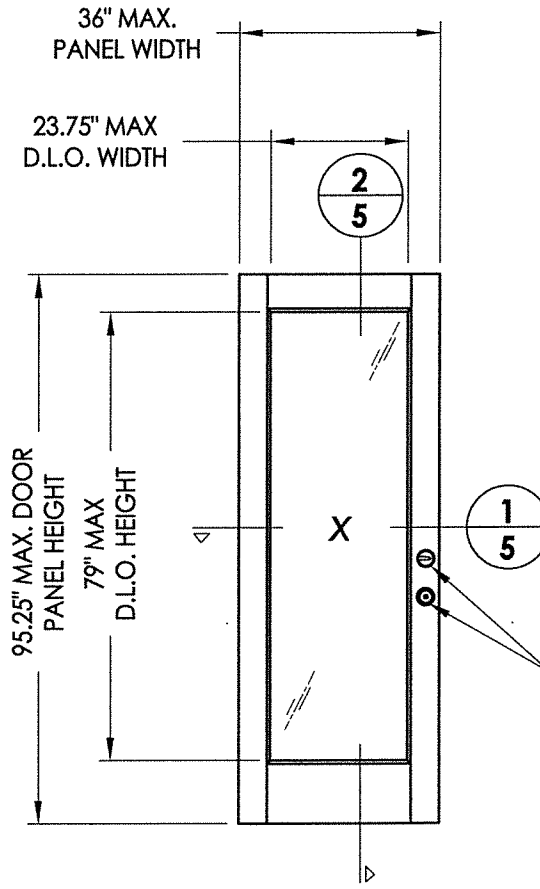
DATE: 8/07/12
 SCALE: N.T.S.
 DWG. BY: JK
 CHK. BY: LFS
 DRAWING NO.: TX-4205
 SHEET 3 OF 8



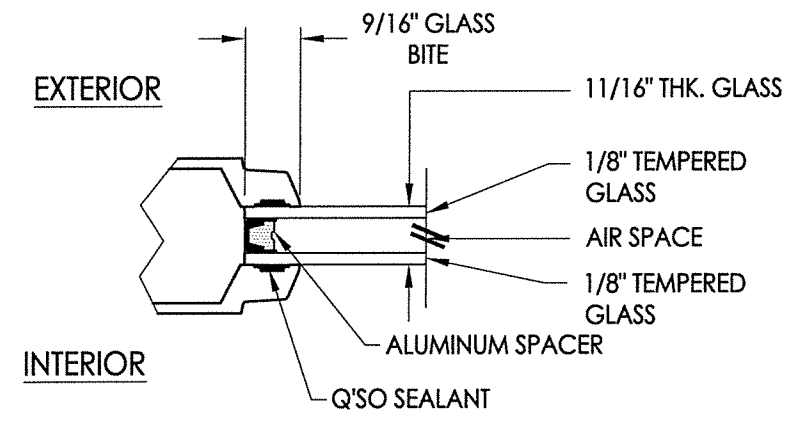
1
5 HORIZONTAL CROSS SECTION



2
5 VERTICAL CROSS SECTION

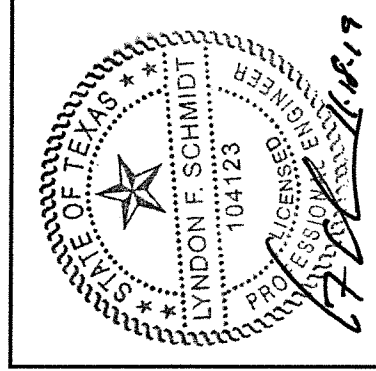


THERMA TRU - Flush Glazed
Door Panel
(fiberglass)



G1 GLAZING DETAIL

HARDWARE TABLE	
MANUFACTURER	MODEL
KWIKSET	LATCH: KWIKSET SIGNATURE SERIES (991) DEADBOLT: KWIKSET SIGNATURE SERIES (980/985)



Documents Prepared By: Lyndon F. Schmidt, P.E.
TEXAS P.E. #104123

RW BUILDING CONSULTANTS, INC.
P.O. Box 230 Valrico FL 33595
Phone No.: 813.659.9197

TEXAS BOARD OF PROFESSIONAL ENGINEERS
CERTIFICATE OF REGISTRATION # F-11852

PRODUCT: ENDURA

PART OR ASSEMBLY: DOOR PANEL DETAILS (FLUSH GLAZING)

NO.	DATE	REVISIONS
4	11/18/19	ADD "FusionFrame" OPTION & UPDATE TO 2018 IBC/IRC CODE
3	9/05/18	ADDED ADDITIONAL THRESHOLDS
2	5/5/15	ADD NEW ASTRAGAL PIN CAPTURE
1	1/07/14	ADDED ARTICULATING SILL
		BY

DATE: 8/07/12

SCALE: N.T.S.

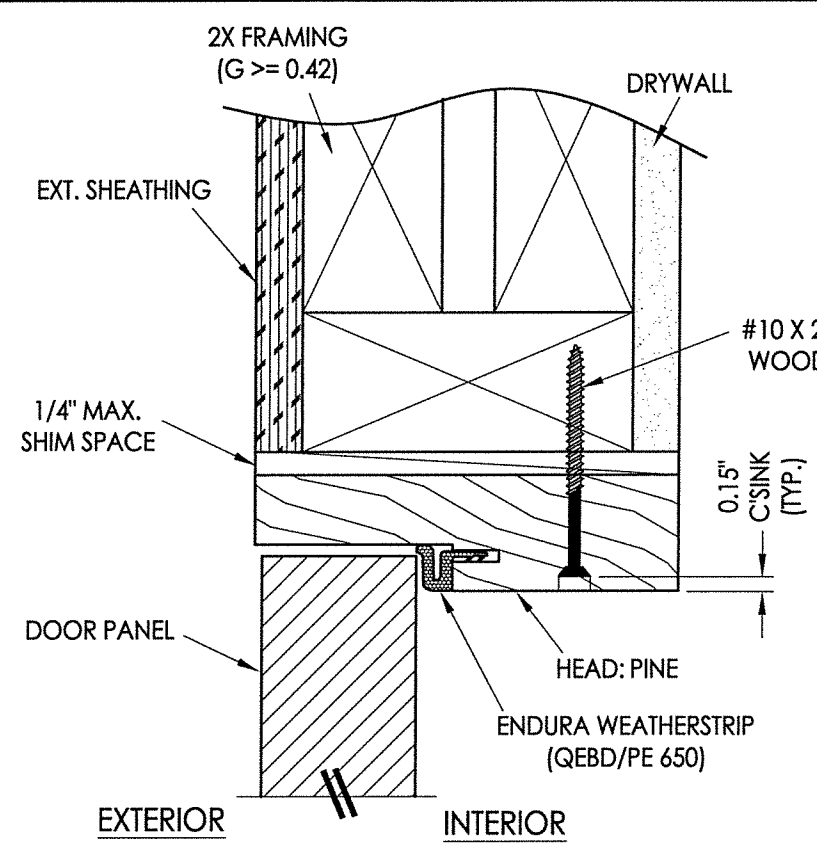
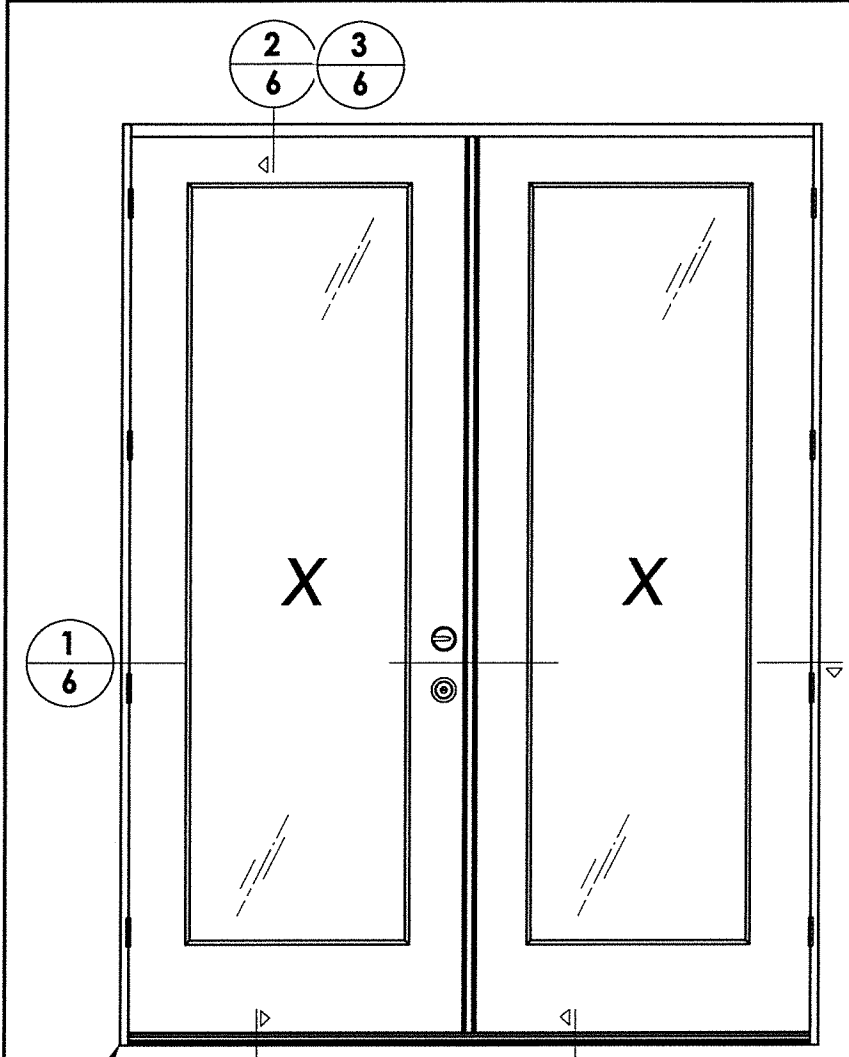
DWG. BY: JK

CHK. BY: LFS

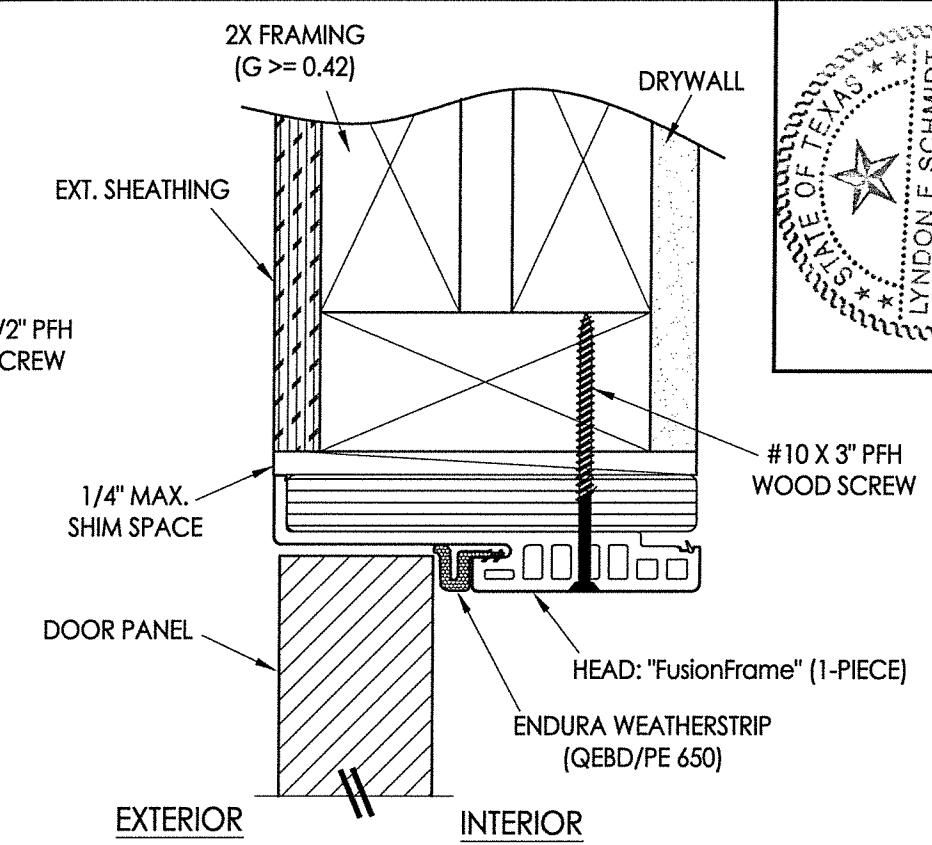
DRAWING NO.: TX-4205

SHEET 5 OF 8

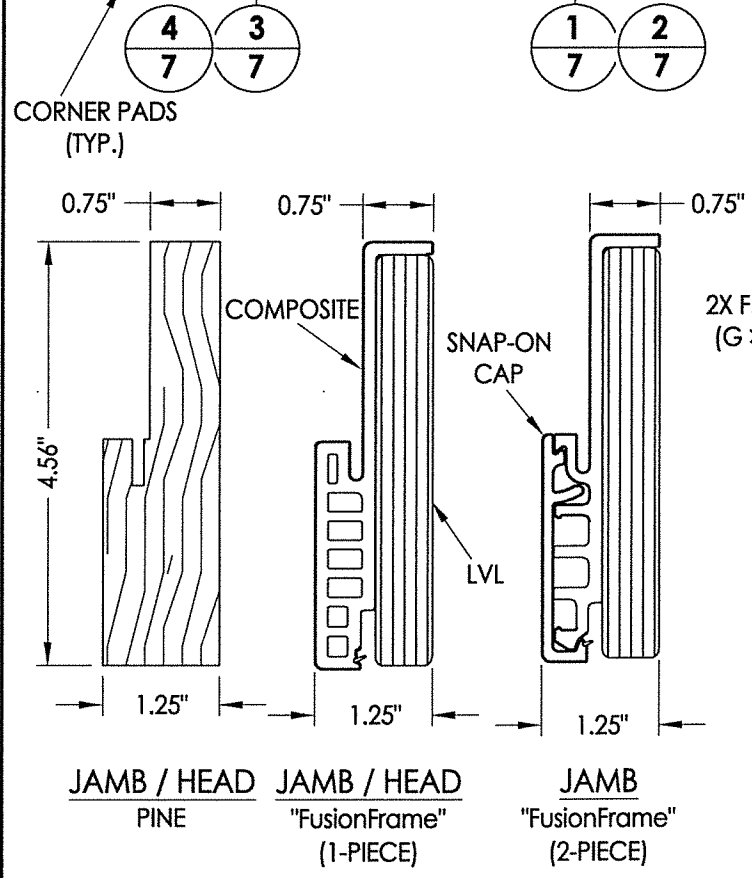
R:\Clients\Endura PERMANENT\B - Texas Dept of Ins\TDI - DR-610 Therma-Tru Flush GLZ\Drawings\2019 REV\TX-4204-05.dwg, 6.2



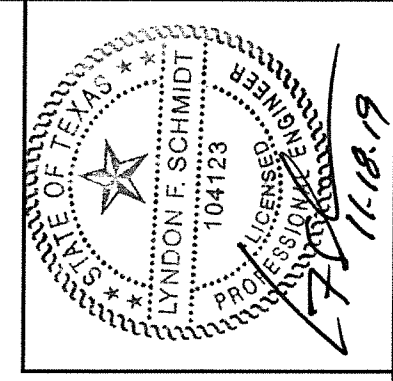
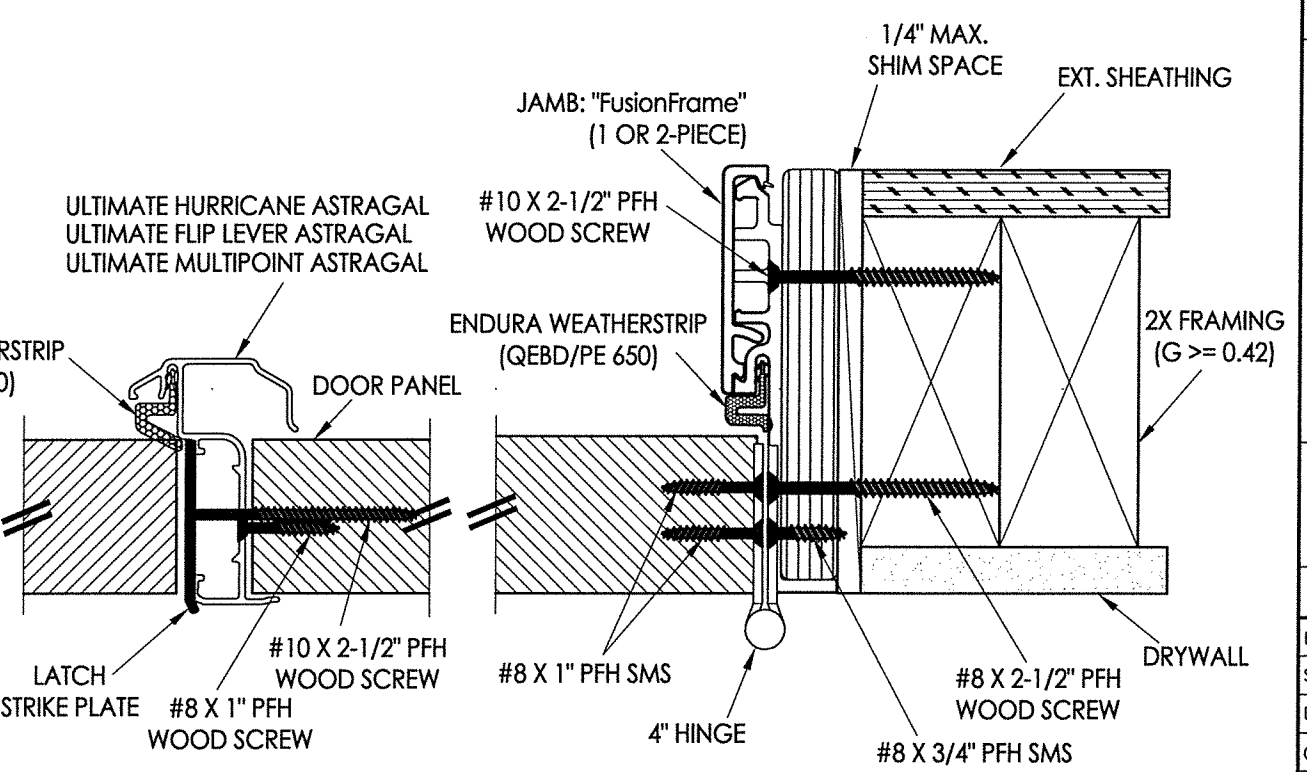
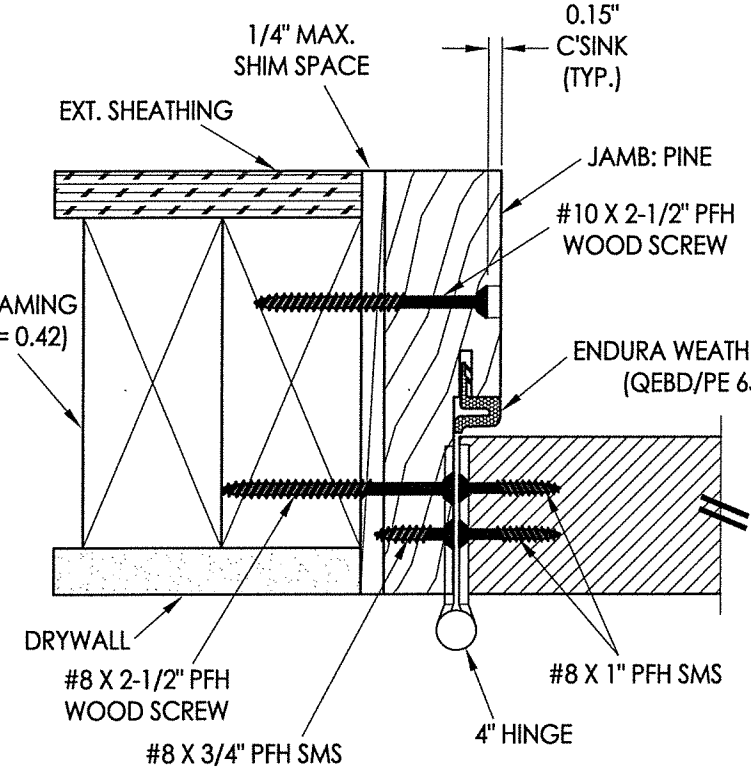
2
6 **VERTICAL CROSS SECTION**
Outswing shown - inswing also approved



3
6 **VERTICAL CROSS SECTION**
Outswing shown - inswing also approved



1
6 **HORIZONTAL CROSS SECTION**
Inswing shown - Outswing also approved



Documents Prepared By: Lyndon F. Schmidt, P.E.
TEXAS P.E. #104123

R.W. BUILDING CONSULTANTS, INC.
P.O. Box 230 Valrico FL 33595
Phone No.: 813.659.9197

TEXAS BOARD OF PROFESSIONAL ENGINEERS
CERTIFICATE OF REGISTRATION # F-11852

PRODUCT: ENDURA

PART OR ASSEMBLY: HORIZONTAL & VERTICAL CROSS SECTIONS

NO.	DATE	REVISIONS
4	11/18/19	ADD. "FusionFrame" OPTION & UPDATE TO 2018 IBC/IRC CODE
3	9/05/18	ADDED ADDITIONAL THRESHOLDS
2	5/5/15	ADD NEW ASTRAGAL PIN CAPTURE
1	1/07/14	ADDED ARTICULATING SILL

DATE: 1/07/12

SCALE: N.T.S.

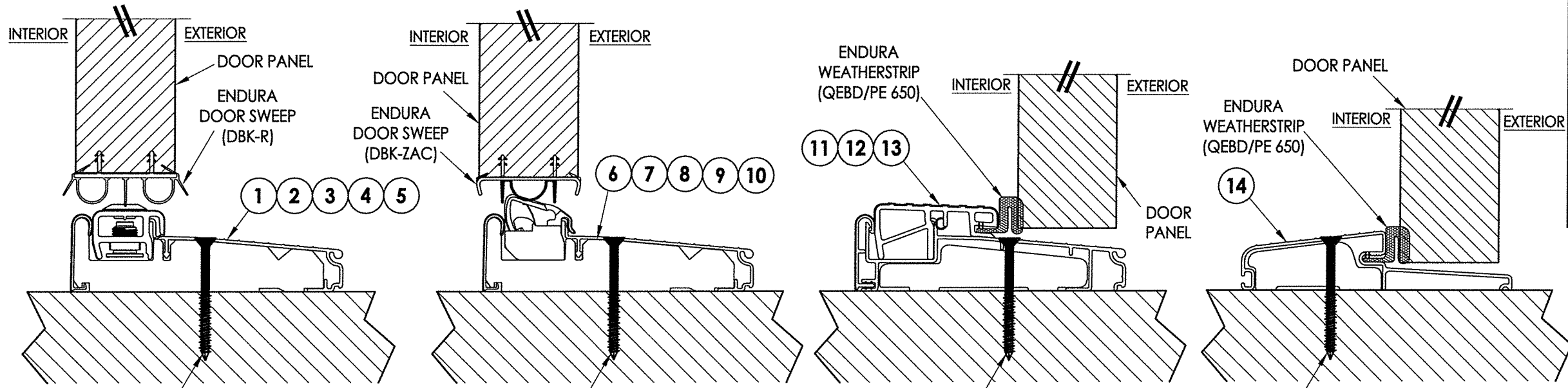
DWG. BY: JK

CHK. BY: LFS

DRAWING NO.: TX-4205

SHEET 6 OF 8

R:\Clients\Endura PERMANENT\B - Texas Dept of Ins\TDI - DR-610 Therma-Tru Flush GLZ\Drawings\2019 REV\TX-4204-05.dwg, 7.2



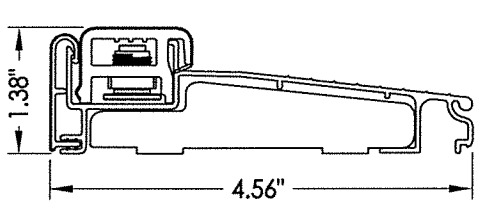
#10 X 2.5" PFH WOOD SCREW OR 1/4" X 2-3/4" ELCO OR ITW CONCRETE SCREW

1 VERTICAL CROSS SECTION
7 Inswing Adjustable Threshold

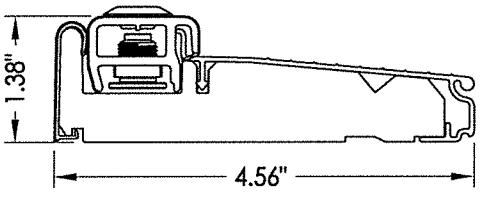
2 VERTICAL CROSS SECTION
7 Inswing Articulating Threshold w/ Pin Capture

3 VERTICAL CROSS SECTION
7 Outswing Bump Threshold

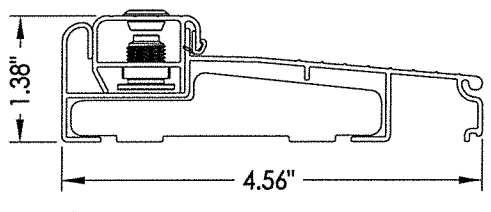
4 VERTICAL CROSS SECTION
7 Outswing Bump Threshold



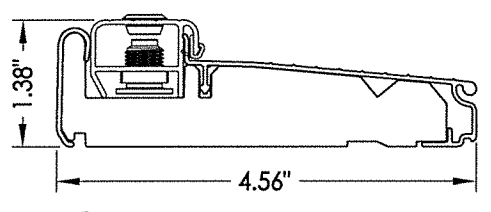
1 INSWING ADJUSTABLE THRESHOLD
ZAIL4565



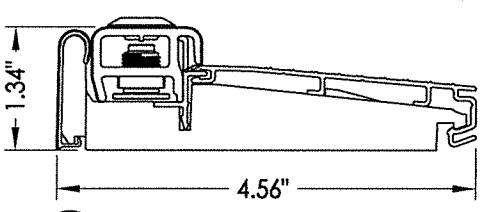
2 INSWING ADJUSTABLE THRESHOLD
ZAI4565FN



3 INSWING ADJUSTABLE THRESHOLD
ZAILAA4565

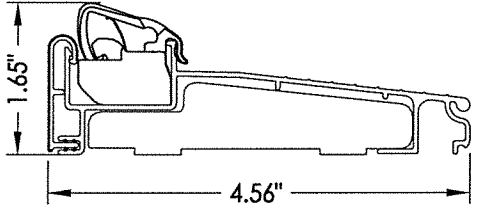


4 INSWING ADJUSTABLE THRESHOLD
ZAIAA4565FN

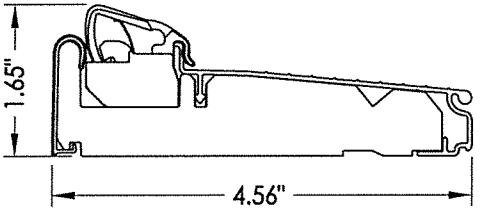


5 INSWING ADJUSTABLE THRESHOLD
ZAI4565RDS

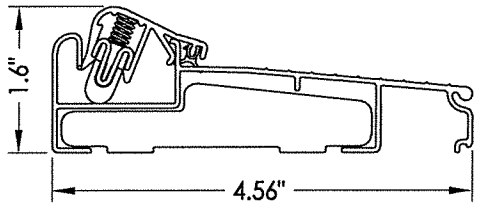
MAX. DESIGN PRESSURE = ±40 PSF



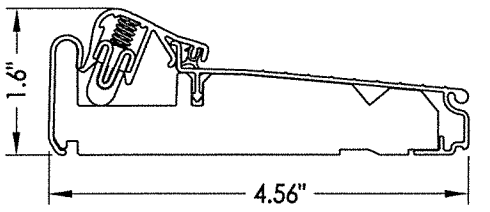
6 INSWING ARTICULATING THRESHOLD
ZACLA4565



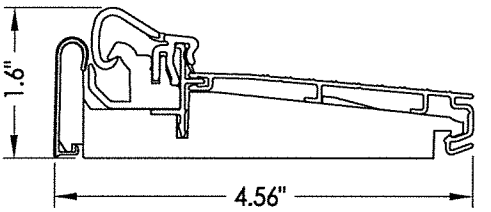
7 INSWING ARTICULATING THRESHOLD
ZAC4565FN



8 INSWING ARTICULATING THRESHOLD
ZACLAA4565

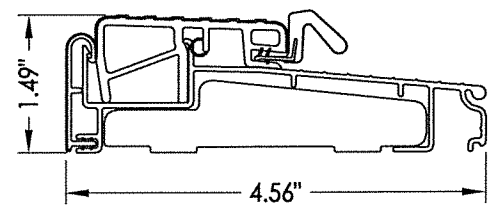


9 INSWING ARTICULATING THRESHOLD
ZACAA4565FN

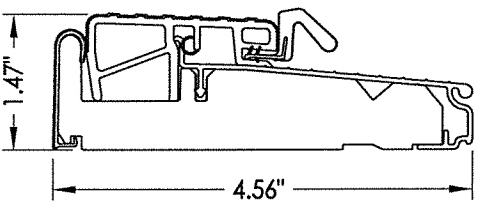


10 INSWING ARTICULATING THRESHOLD
ZAC4565RDS

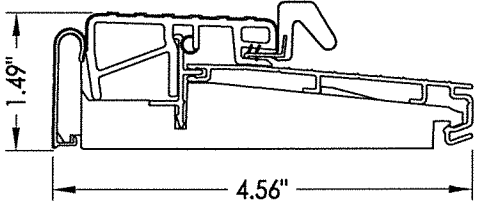
MAX. DESIGN PRESSURE = ±35 PSF



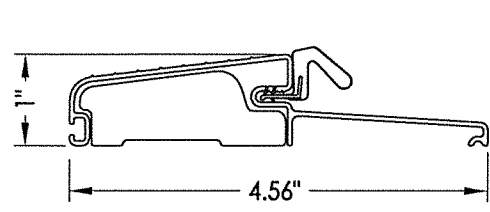
11 OUTSWING THRESHOLD
ZOBL4565



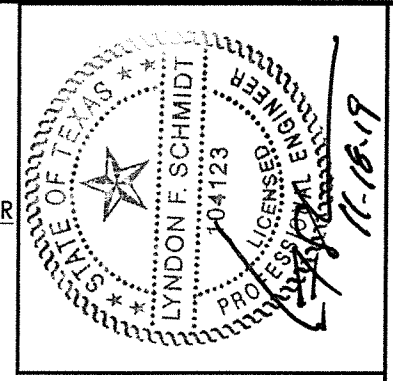
12 OUTSWING THRESHOLD
ZOB4565FN



13 OUTSWING THRESHOLD
ZOB4565RDS



14 OUTSWING THRESHOLD
FOB4566



Documents Prepared By: Lyndon F. Schmidt, P.E.
TEXAS P.E. #104123

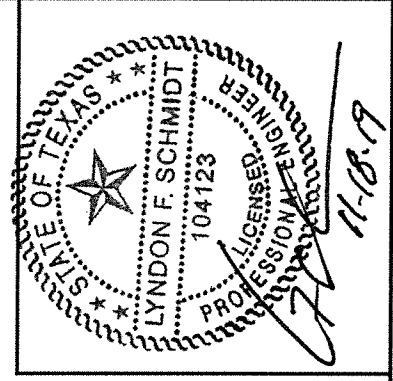
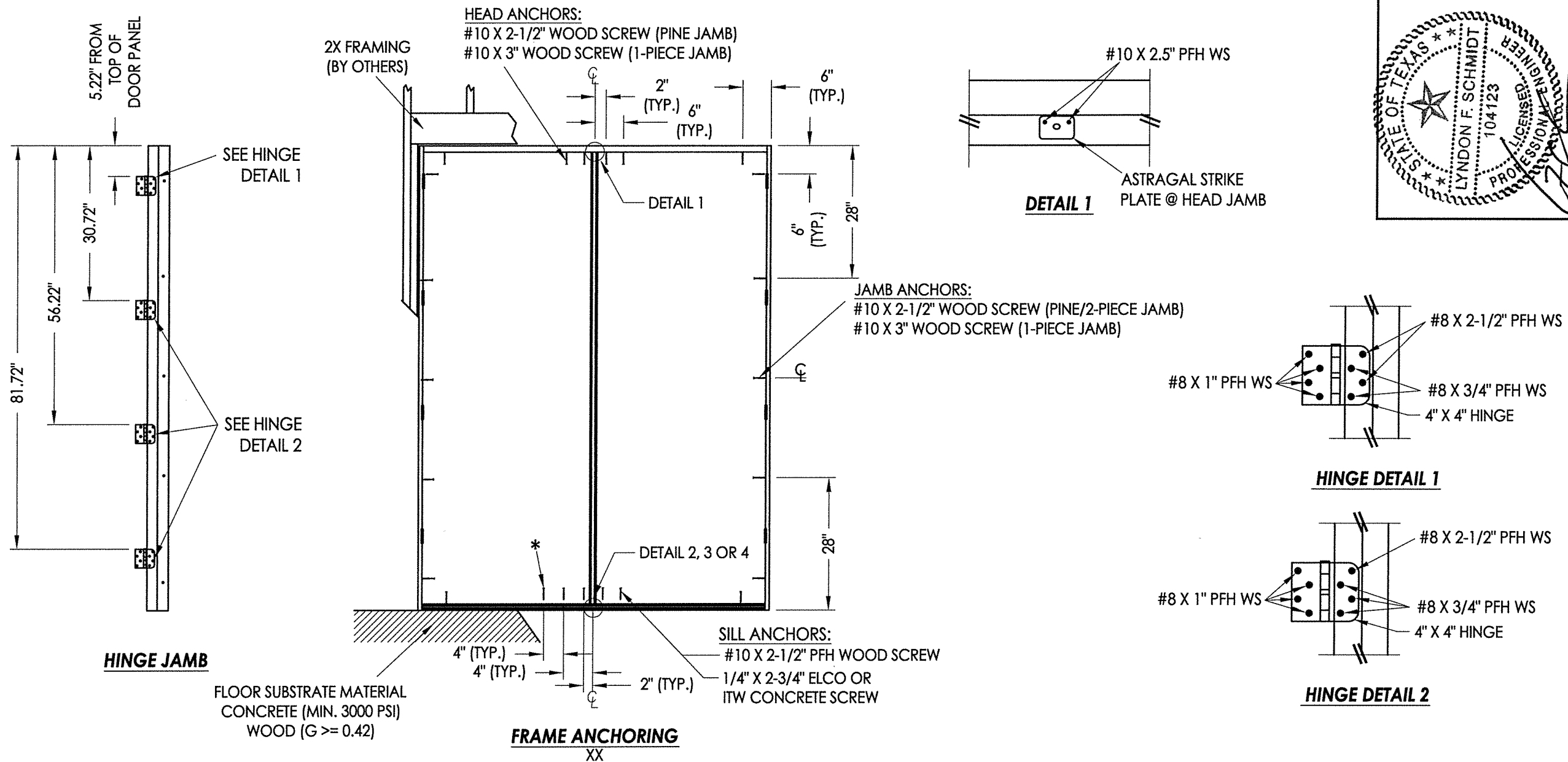
RW BUILDING CONSULTANTS, INC.
P.O. Box 230 Valrico FL, 33595
Phone No.: 813.659.9197
TEXAS BOARD OF PROFESSIONAL ENGINEERS
CERTIFICATE OF REGISTRATION # F-11852

PRODUCT: ENDURA
PART OR ASSEMBLY: VERTICAL CROSS SECTIONS

NO.	DATE	REVISIONS	BY
4	11/18/19	ADD "FusionFrame" OPTION & UPDATE TO 2018 IBC/IRC CODE	LFS
3	9/05/18	ADDED ADDITIONAL THRESHOLDS	LFS
2	5/5/15	ADD NEW ASTRAGAL PIN CAPTURE	LFS
1	1/07/14	ADDED ARTICULATING SILL	LFS

DATE: 8/07/12
SCALE: N.T.S.
DWG. BY: JK
CHK. BY: LFS
DRAWING NO.: TX-4205
SHEET 7 OF 8

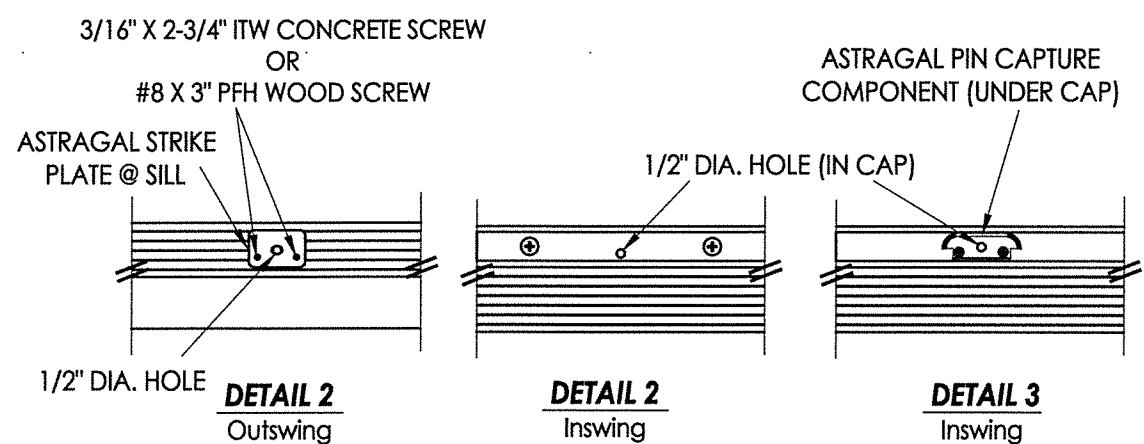
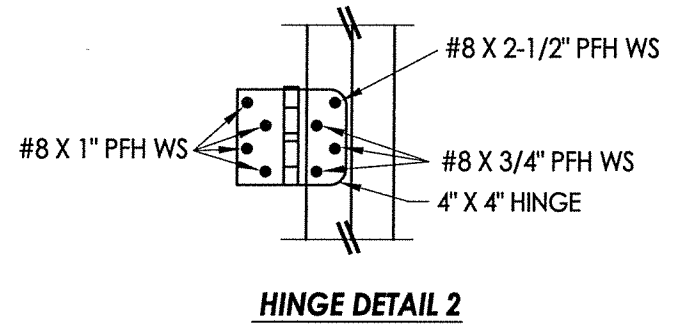
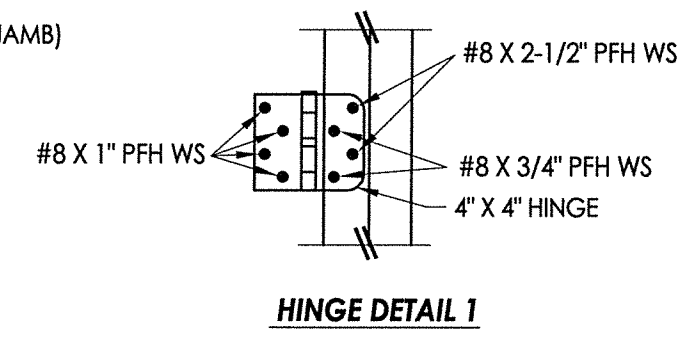
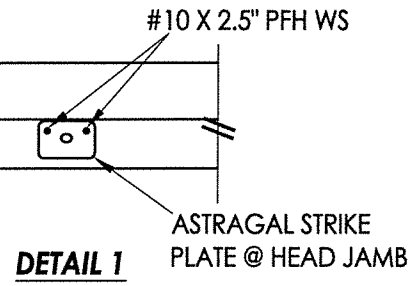
R:\Clients\Endura PERMANENT\B - Texas Dept of Ins\TDI - DR-610 Therma-Tru Flush GLZ\Drawings\2019 REV\TX-4204-05.dwg, 8.2



Documents Prepared By: Lyndon F. Schmidt, P.E.
TEXAS P.E. #104123

RW BUILDING CONSULTANTS, INC.
P.O. Box 230 Valrico FL 33595
Phone No.: 813.659.9197

TEXAS BOARD OF PROFESSIONAL ENGINEERS
CERTIFICATE OF REGISTRATION # F-11852



JAMB NOTES:
THE PINE OR "FusionFrame" 1-PIECE JAMB MAY BE INSTALLED @ THE HEAD OR SIDE JAMB.
THE FusionFrame" 2-PIECE JAMB MAY BE INSTALLED @ THE SIDE JAMBS ONLY.

- CONCRETE ANCHOR NOTES:**
- Concrete anchor locations at the corners may be adjusted to maintain the min. edge distance to mortar joints.
 - Concrete anchor locations noted as "MAX. ON CENTER" must be adjusted to maintain the min. edge distance to mortar joints, additional concrete anchors may be required to ensure the "MAX. ON CENTER" dimension are not exceeded.
 - Concrete anchor table:

ANCHOR TYPE	ANCHOR SIZE	MIN. EMBEDMENT	MIN. CLEARANCE TO MASONRY EDGE	MIN. CLEARANCE TO ADJACENT ANCHOR
ITW TAPCON®	3/16"	1-3/4"	3"	1-1/2"
ITW TAPCON®	1/4"	1-3/4"	1-1/2"	4"
ELCO ULTRACON®	1/4"	1-3/4"	1"	4"

WOOD SCREW INSTALLATION NOTES:

- Maintain a minimum 5/8" edge distance, 1" end distance, & 1" o.c. spacing of wood screws to prevent the splitting of wood.

*NOTE: This anchor required for D.P. > 40 PSF.

NOTE: MAX. D.P. = +/- 45 PSF FOR DETAIL 3

PRODUCT:	ENDURA	
PART OR ASSEMBLY:	FRAME ANCHORING	
REVISIONS		
NO.	DATE	BY
4	11/18/19	LFS
3	9/05/18	LFS
2	5/5/15	LFS
1	1/07/14	LFS
DATE: 8/07/12		
SCALE: N.T.S.		
DWG. BY: JK		
CHK. BY: LFS		
DRAWING NO.: TX-4205		
SHEET 8 OF 8		

© 2012 R.W. BUILDING CONSULTANTS INC.