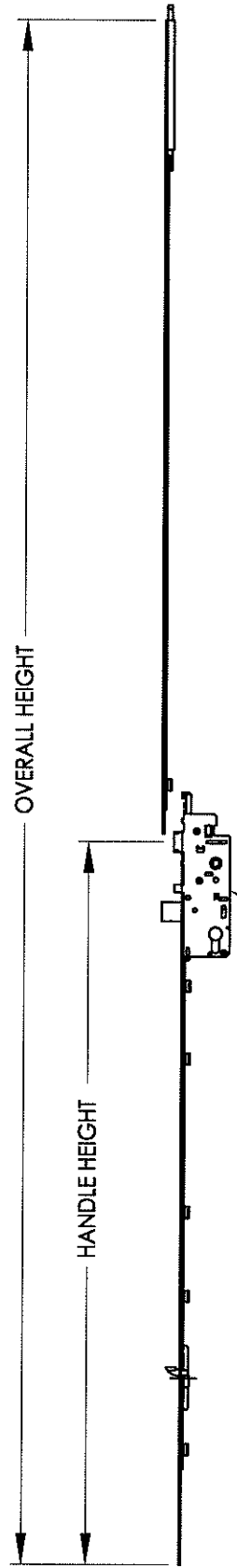
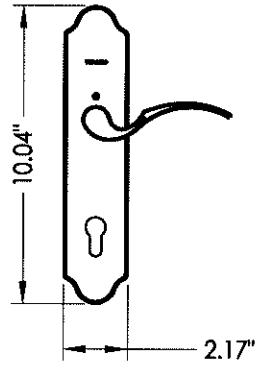


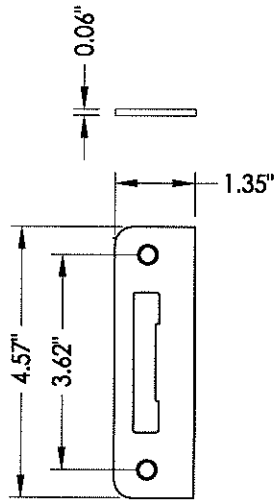
MANUAL TONGUE/SHOOTBOLT GEAR SYSTEM



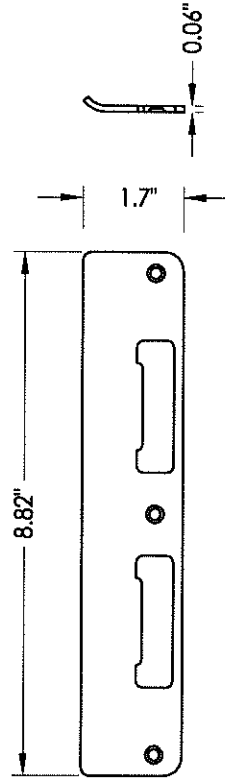
HOPPE MULTI-POINT LOCKSET



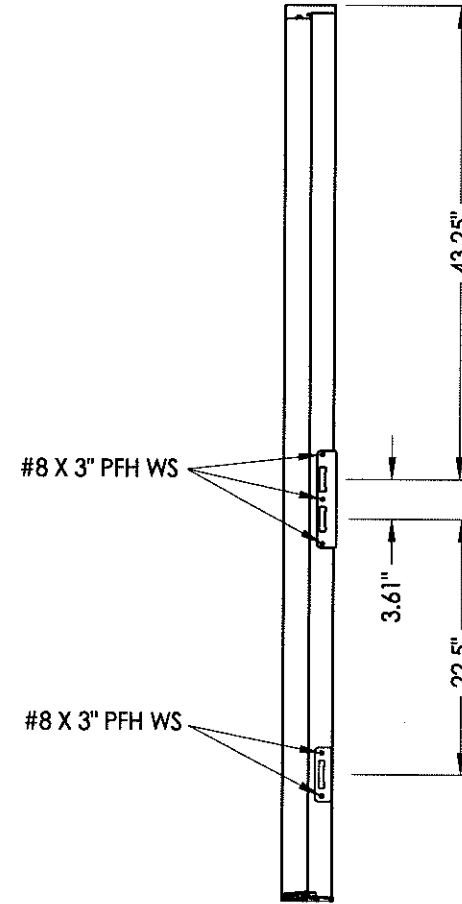
MULTI-POINT STRIKE PLATE



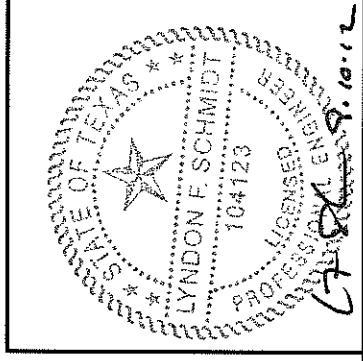
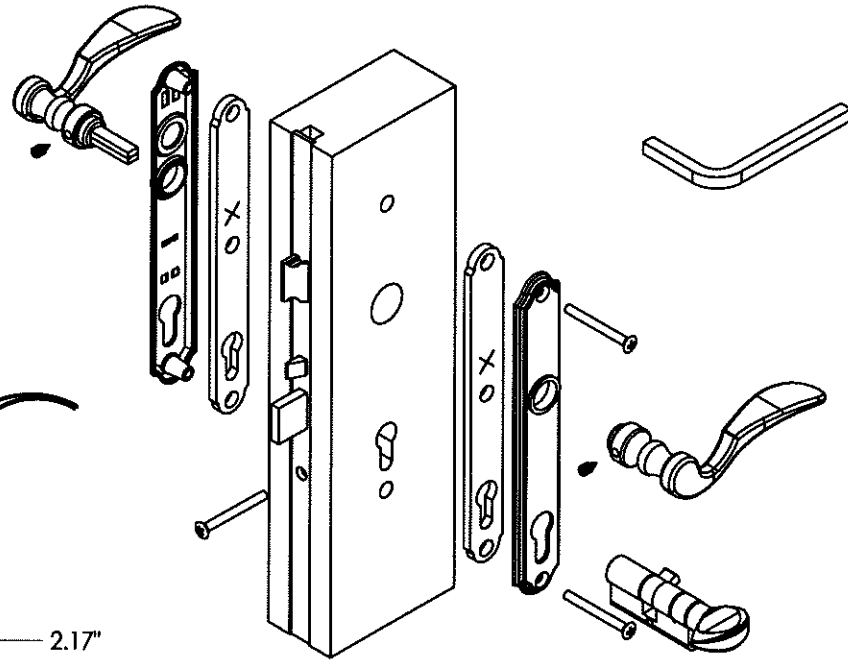
LATCH & DEADBOLT STRIKE PLATE



STRIKE JAMB



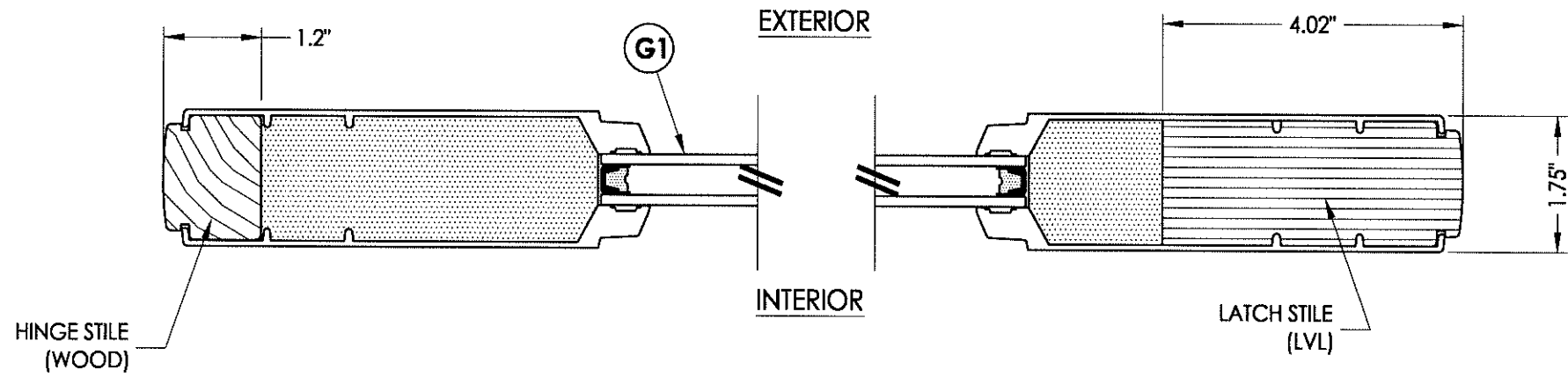
HOPPE MULTI-POINT LOCKSET
Manual Tongue/Shootbolt



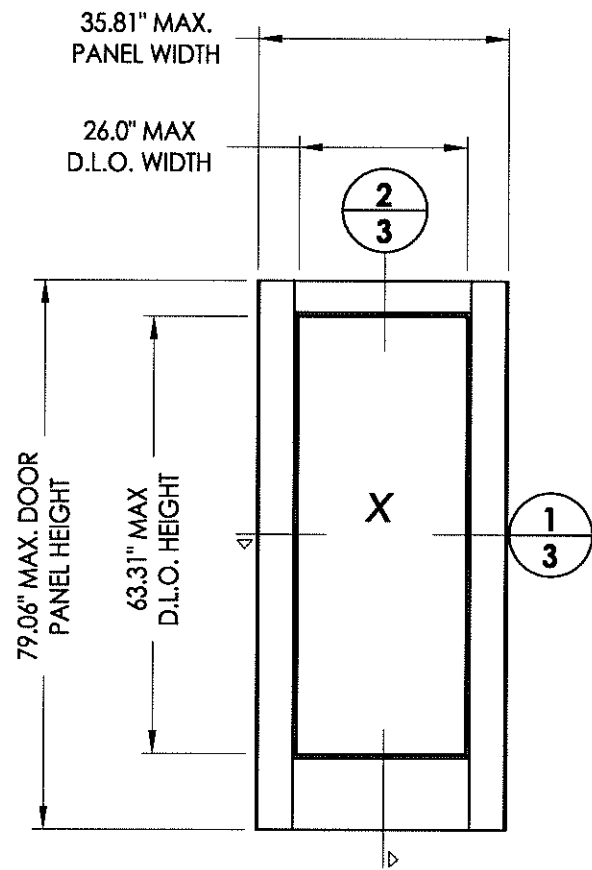
Documents Prepared By: Lyndon F. Schmidt, P.E.
TEXAS P.E. #104123

RW BUILDING CONSULTANTS, INC.
P.O. Box 230 Valrico FL 33595
Phone No.: 813.659.9197
TEXAS BOARD OF PROFESSIONAL ENGINEERS
CERTIFICATE OF REGISTRATION # F-11852

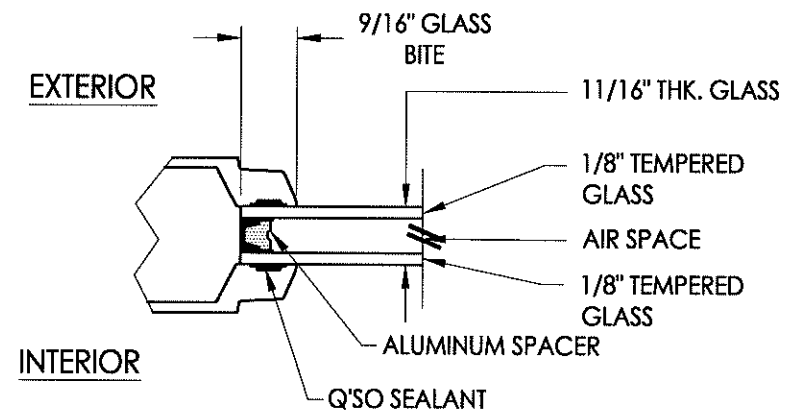
PRODUCT: ENDURA	
PART OR ASSEMBLY: LOCK DETAILS (HOPPE HLS 9000)	
NO.	DATE
BY	REVISIONS
DATE: 9/06/12	
SCALE: N.T.S.	
DWG. BY: JK	
CHK. BY: LFS	
DRAWING NO.: TX-4218	
SHEET 2 OF 8	



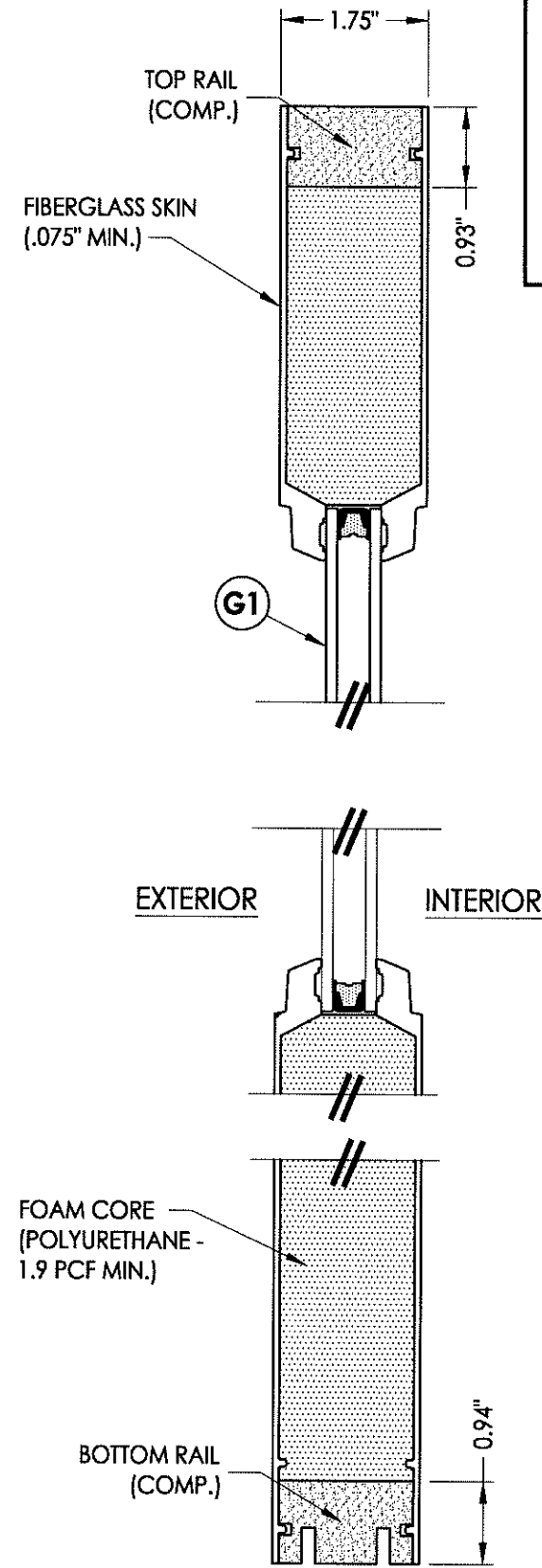
1
3 HORIZONTAL CROSS SECTION



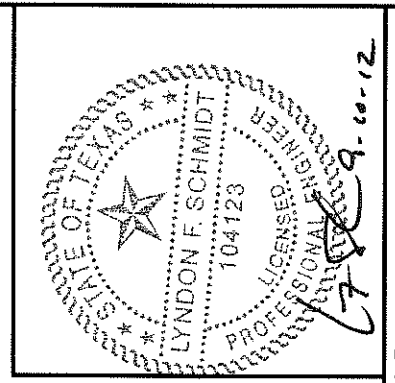
THERMA TRU - Fiber Classic Panel
Flush glazed
(fiberglass)



G1 GLAZING DETAIL



2
3 VERTICAL CROSS SECTION



Documents Prepared By: Lyndon F. Schmidt, P.E.
TEXAS P.E. #104123

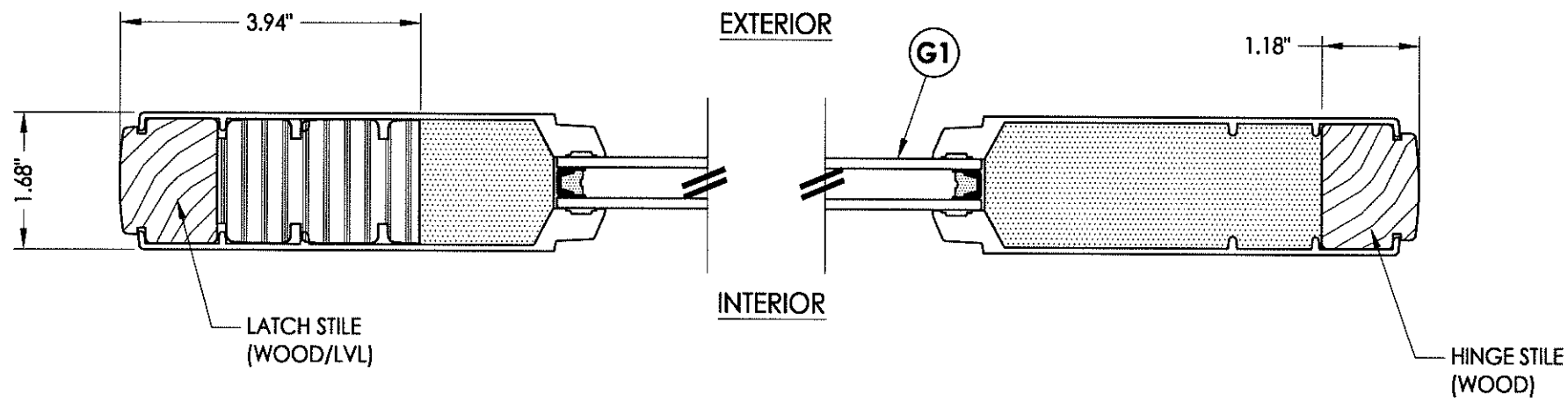
RW BUILDING CONSULTANTS, INC.
P.O. Box 230 Valrico FL 33595
Phone No.: 813.659.9197
TEXAS BOARD OF PROFESSIONAL ENGINEERS
CERTIFICATE OF REGISTRATION # F-11852

PRODUCT: ENDURA
PART OR ASSEMBLY:
DOOR/SIDELITE PANEL DETAILS
(FIBER GLASSIC - FLUSH GLAZED)

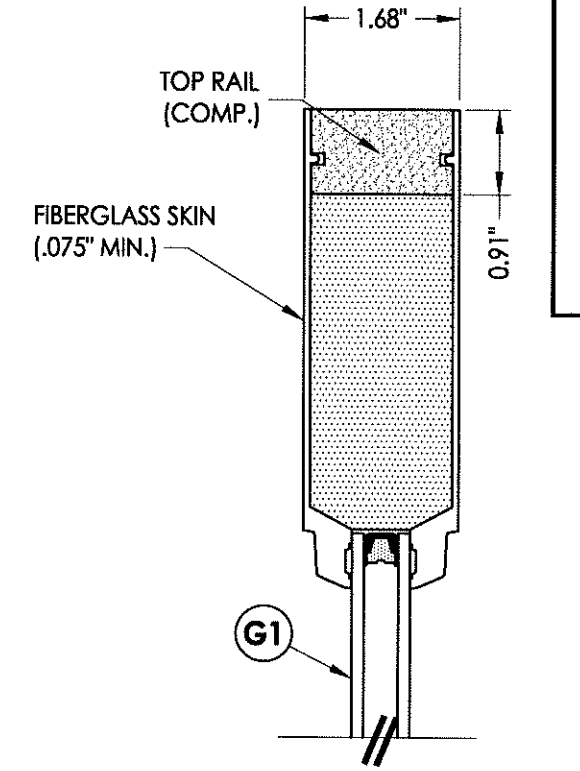
NO.	DATE	BY	REVISIONS

DATE: 9/06/12
SCALE: N.T.S.
DWG. BY: JK
CHK. BY: LFS
DRAWING NO.: TX-4218
SHEET 3 OF 8

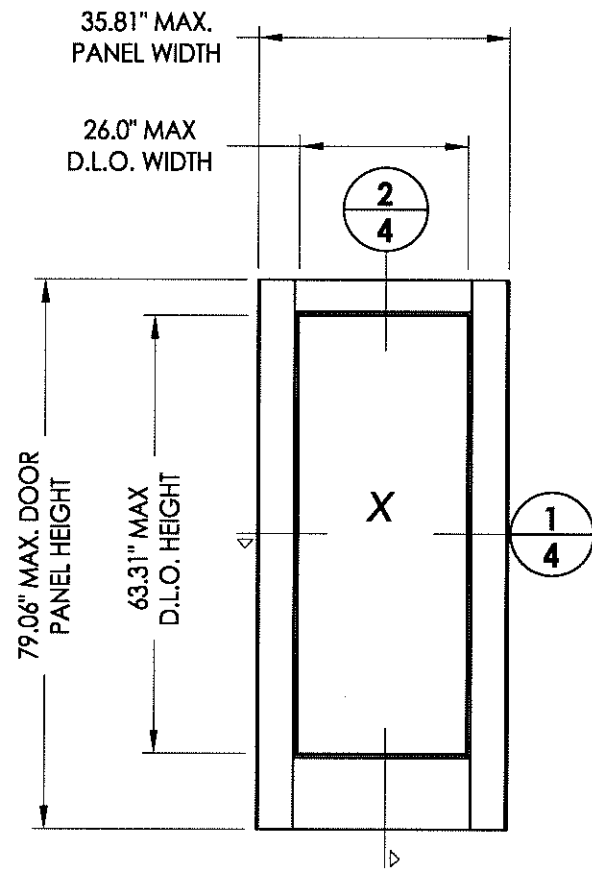
R:\A - Projects\Project Folders\Proj 1601 - 1700\PF 1675\D. RWBC Drawings\TX-4216-19.dwg, 4.3



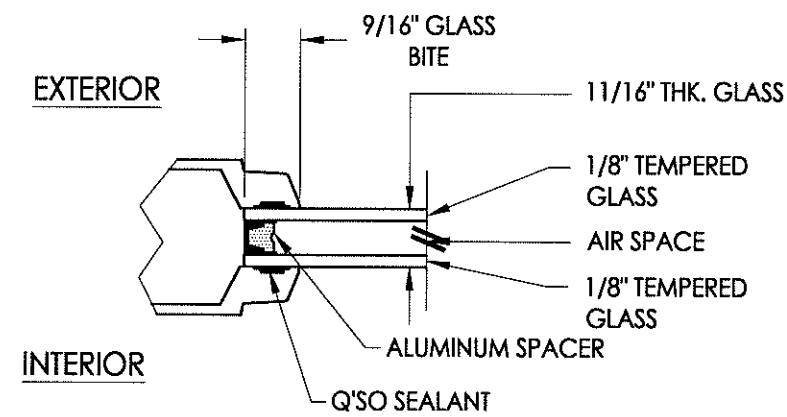
1
4 HORIZONTAL CROSS SECTION



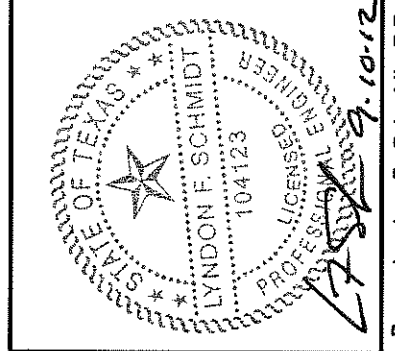
2
4 VERTICAL CROSS SECTION



THERMA TRU - Smooth Star Panel
Flush glazed
(fiberglass)



G1 GLAZING DETAIL



Documents Prepared By: Lyndon F. Schmidt, P.E.
TEXAS P.E. #104123

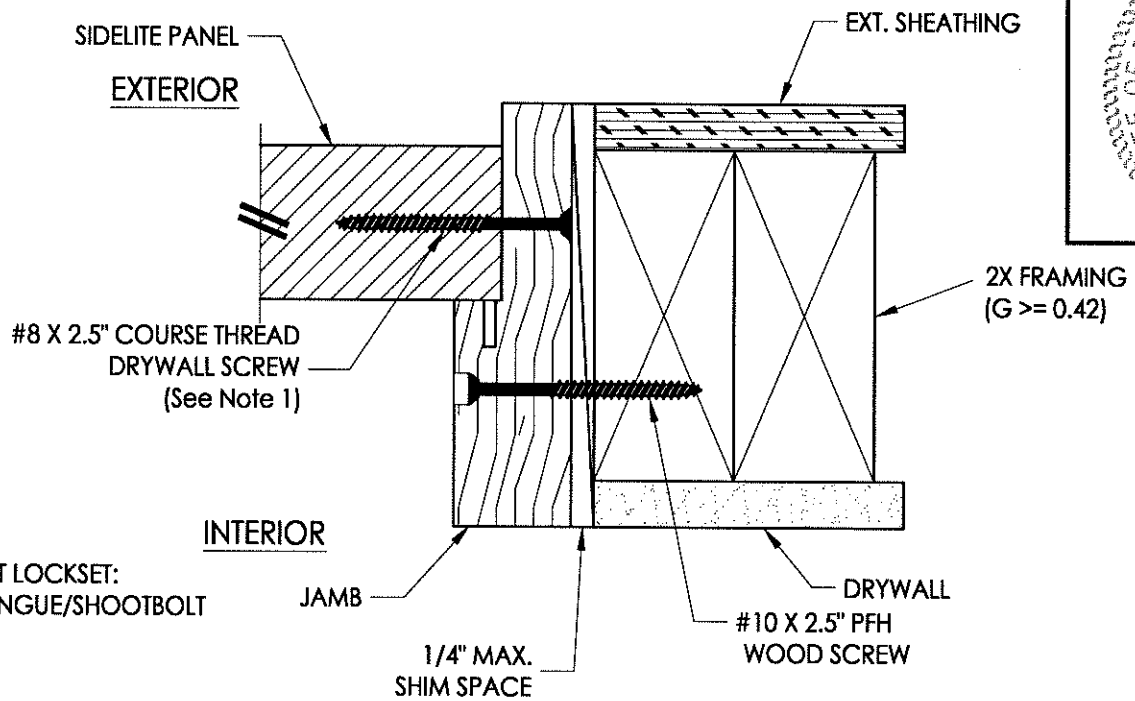
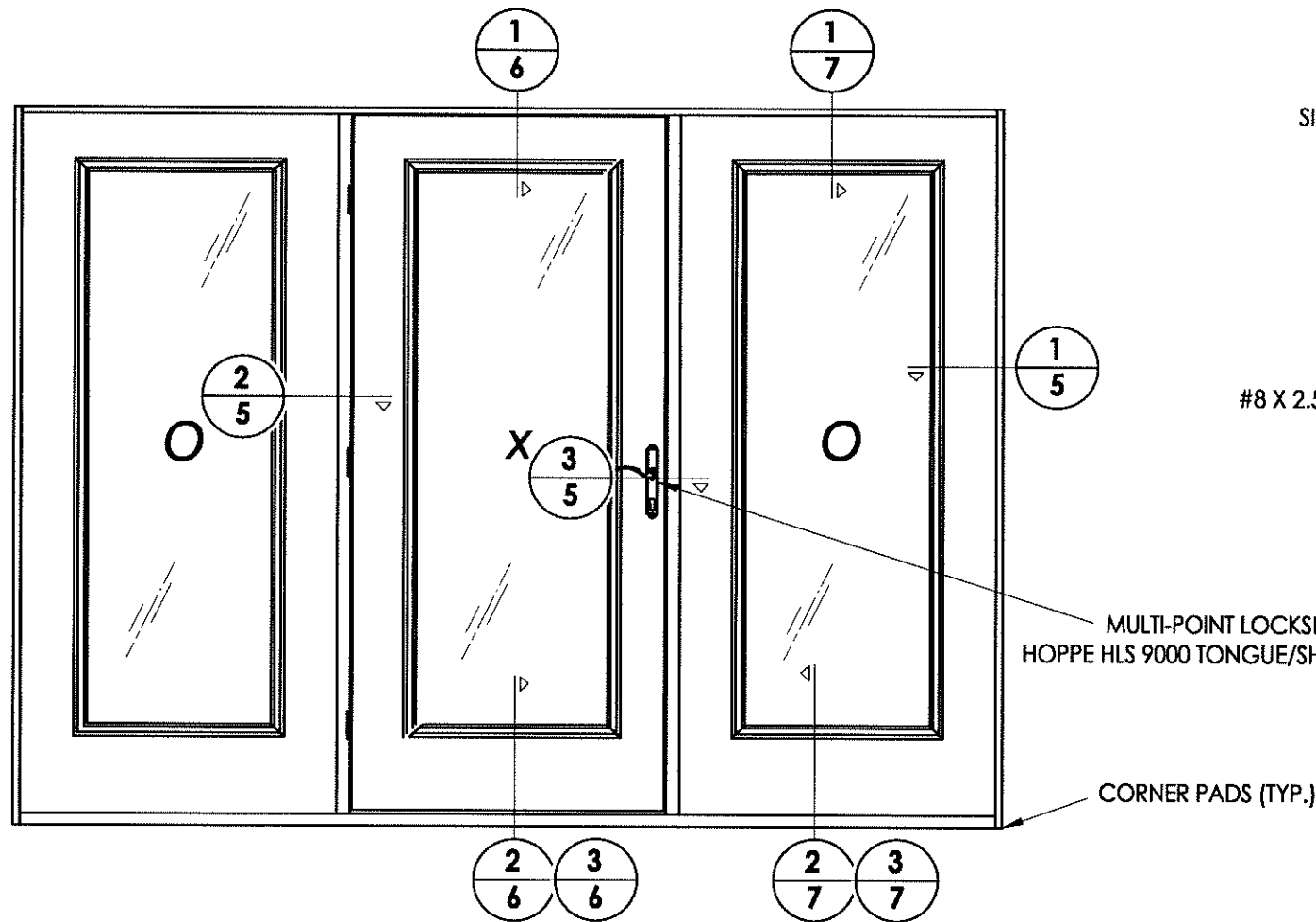
RW BUILDING CONSULTANTS, INC.
P.O. Box 230 Valrico FL 33595
Phone No.: 813.659.9197
TEXAS BOARD OF PROFESSIONAL ENGINEERS
CERTIFICATE OF REGISTRATION # F-11852

PRODUCT: ENDURA
PART OR ASSEMBLY:
DOOR/SIDELITE PANEL DETAILS
(SMOOTH STAR - FLUSH GLAZED)

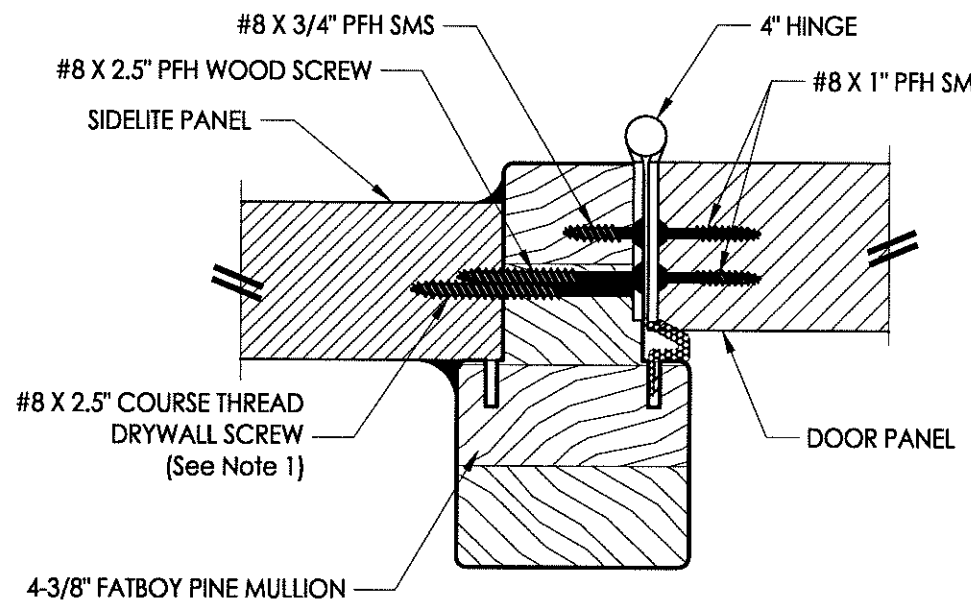
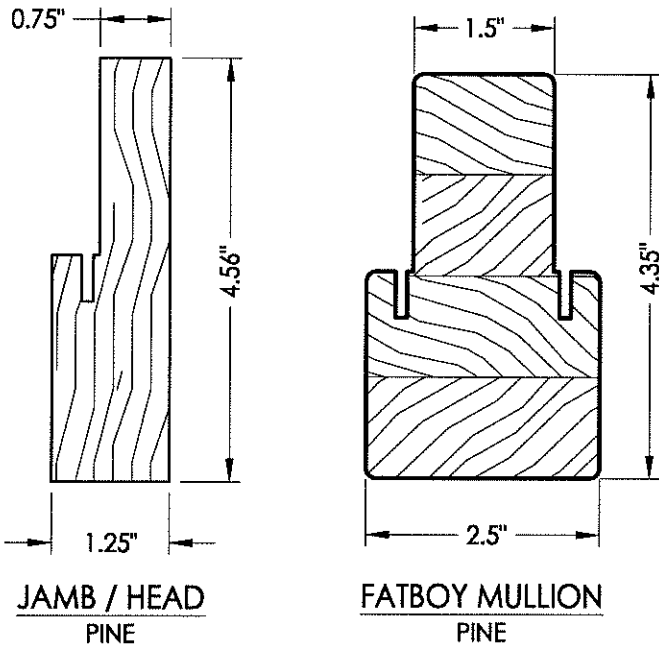
NO.	DATE	BY	REVISIONS

DATE: 9/06/12
SCALE: N.T.S.
DWG. BY: JK
CHK. BY: LFS
DRAWING NO.: TX-4218
SHEET 4 OF 8

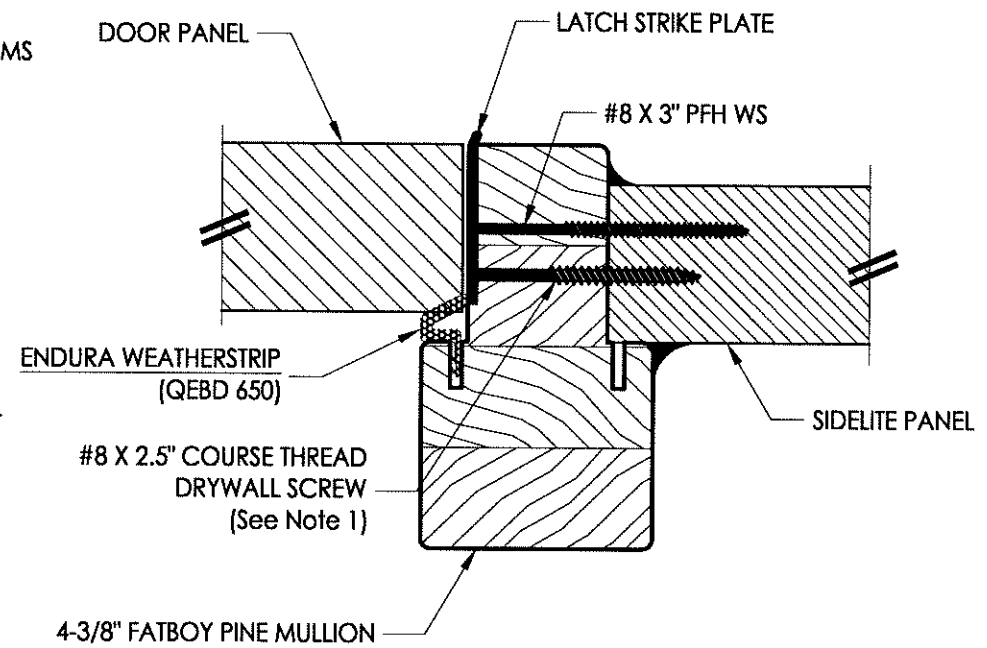
R:\A - Projects\Project Folders\Proj 1601 - 1700\PF 1675\D. RWBC Drawings\TX-4216-19.dwg, 5.3



1 HORIZONTAL CROSS SECTION
Outswing shown - Inswing also approved

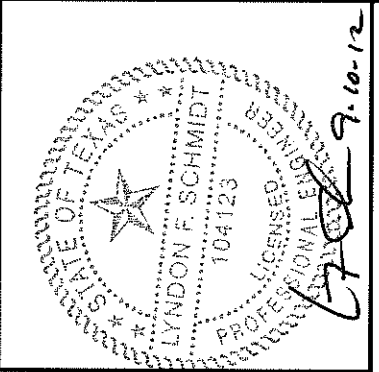


2 HORIZONTAL CROSS SECTION
Outswing shown - Inswing also approved



3 HORIZONTAL CROSS SECTION
Outswing shown - Inswing also approved

NOTE:
1. Spacing for sidelite screws: 6.5", 38.5" and 69" from head to sill (3 total).



Documents Prepared By: Lyndon F. Schmidt, P.E.
TEXAS P.E. #104123

RW BUILDING CONSULTANTS, INC.
P.O. Box 230 Vairico FL 33595
Phone No.: 813.659.9197

TEXAS BOARD OF PROFESSIONAL ENGINEERS
CERTIFICATE OF REGISTRATION # F-11852

PRODUCT: ENDURA
Steel Door

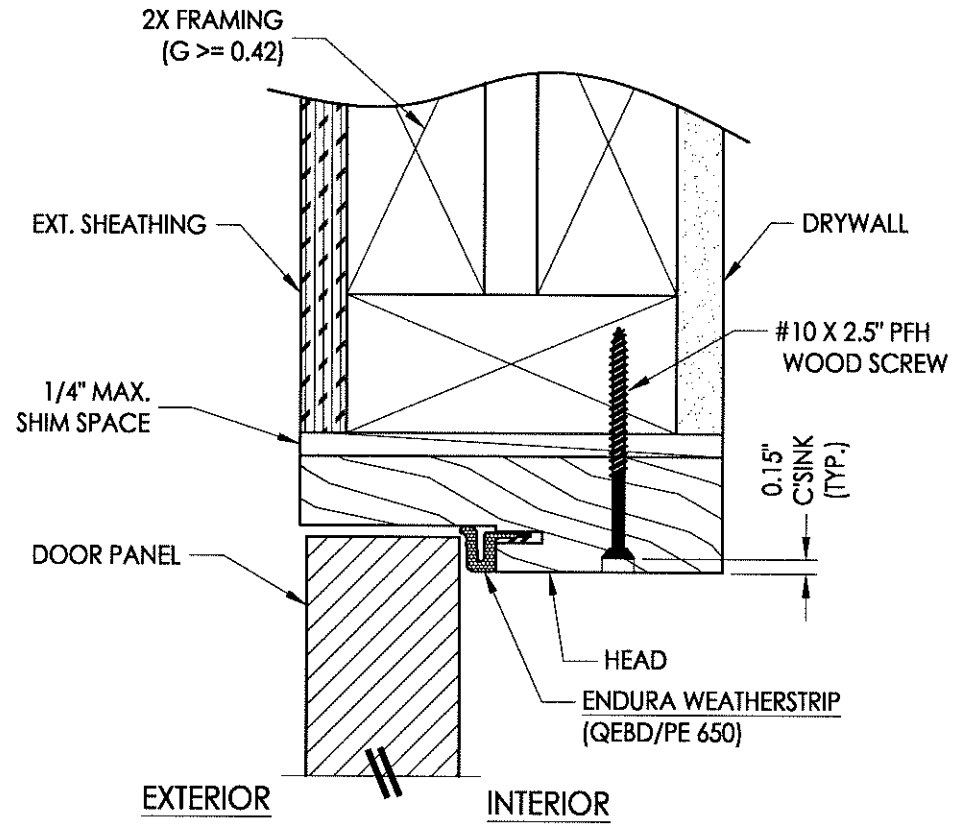
PART OR ASSEMBLY: HORIZONTAL CROSS SECTIONS

NO.	DATE	BY	REVISIONS

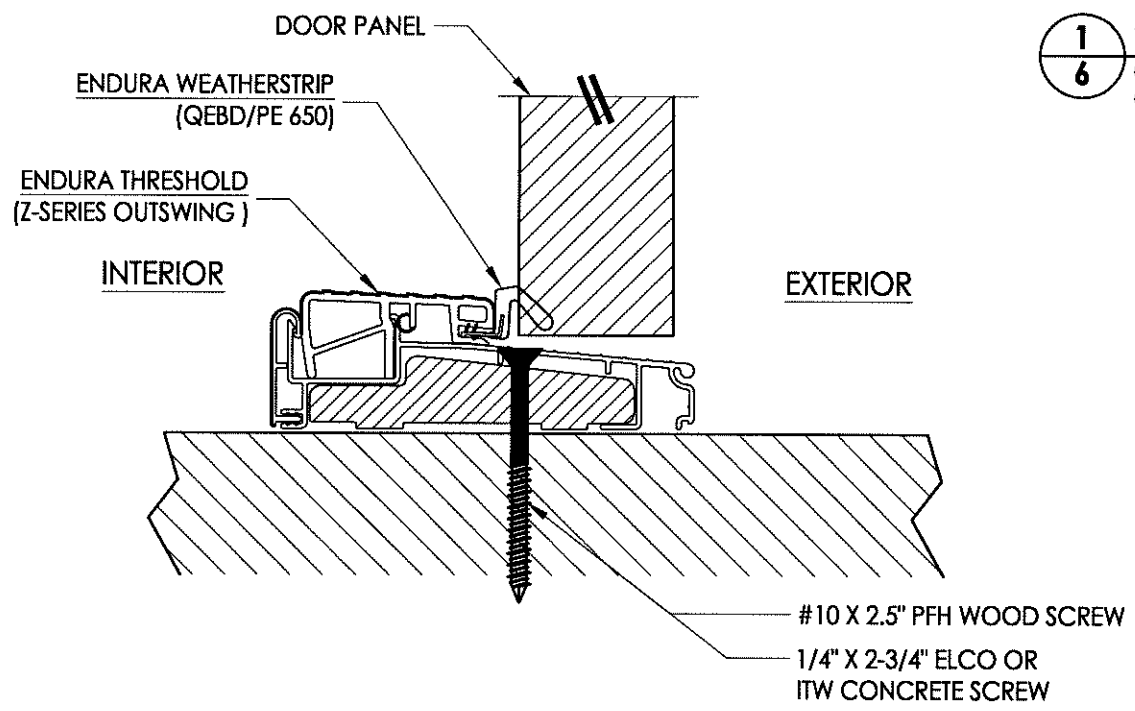
DATE: 9/06/12
SCALE: N.T.S.
DWG. BY: JK
CHK. BY: LFS
DRAWING NO.: TX-4218
SHEET 5 OF 8

© 2012 R.W. BUILDING CONSULTANTS INC.

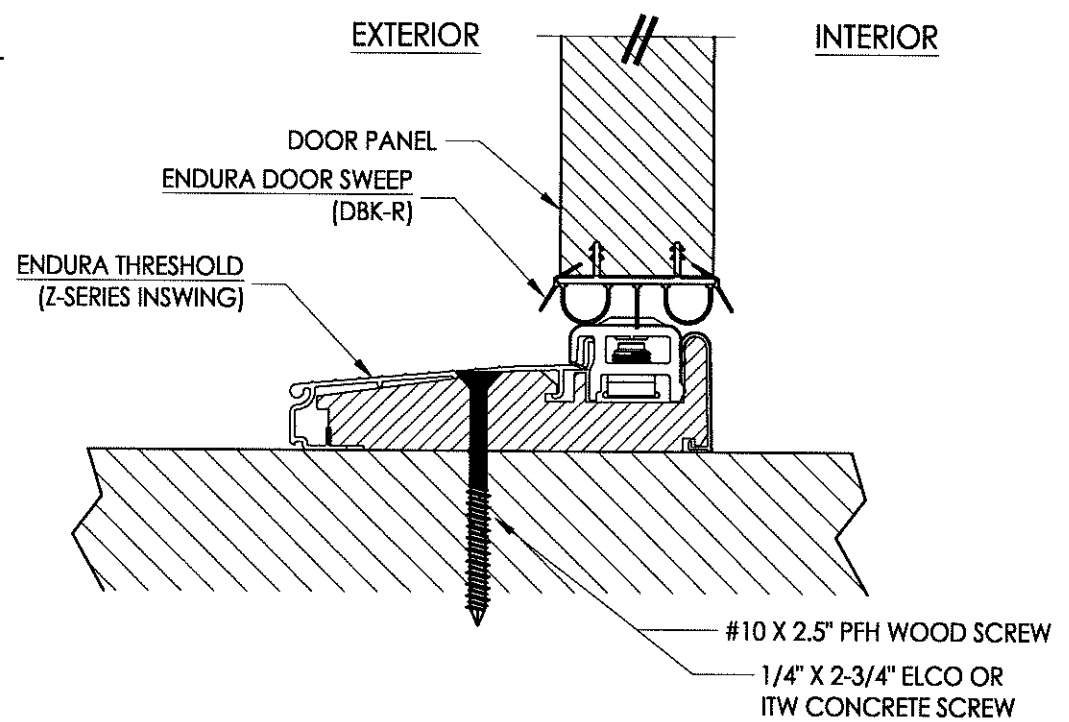
R:\A - Projects\Project Folders\Proj 1601 - 1700\PF 1675\D. RWBC Drawings\TX-4216-19.dwg, 6.3



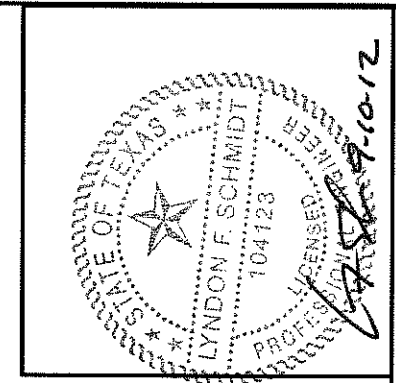
1 **VERTICAL CROSS SECTION**
6 Outswing shown - inswing also approved



2 **VERTICAL CROSS SECTION**
6 Outswing shown



3 **VERTICAL CROSS SECTION**
6 Inswing configuration



Documents Prepared By: Lyndon F. Schmidt, P.E.
 TEXAS P.E. #104123

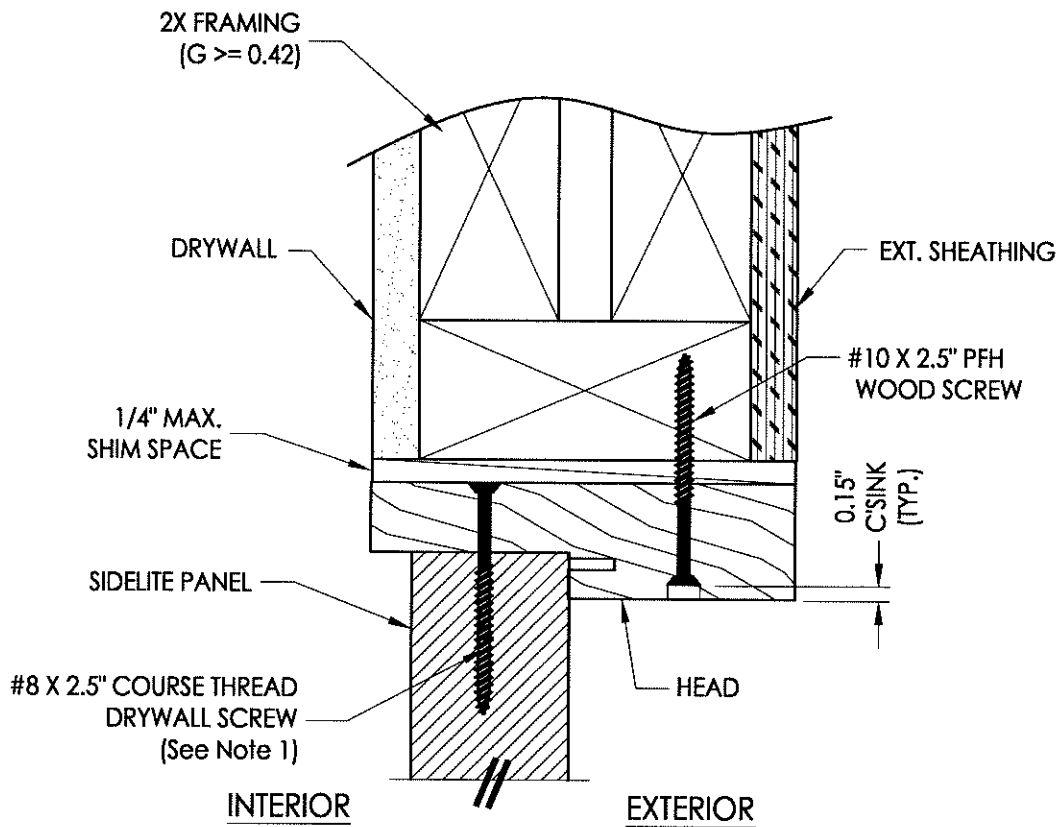
RW BUILDING CONSULTANTS, INC.
 P.O. Box 230 Valrico FL, 33595
 Phone No.: 813.659.9197
 TEXAS BOARD OF PROFESSIONAL ENGINEERS
 CERTIFICATE OF REGISTRATION # F-11852

PRODUCT:	ENDURA
PART OR ASSEMBLY:	VERTICAL CROSS SECTIONS

NO.	DATE	BY	REVISIONS

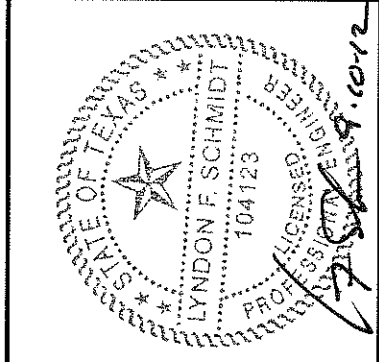
DATE:	9/06/12
SCALE:	N.T.S.
DWG. BY:	JK
CHK. BY:	LFS
DRAWING NO.:	TX-4218
SHEET	6 OF 8

R:\A - Projects\Project Folders\Proj 1601 - 1700\PF 1675\DWG Drawings\TX-4216-19.dwg, 7.3



1 VERTICAL CROSS SECTION
7 Inswing shown - Outswing also approved

NOTE:
 1. Spacing for sidelite screws:
 6" from each end (2 total).



Documents Prepared By: Lyndon F. Schmidt, P.E.
 TEXAS P.E. #104123

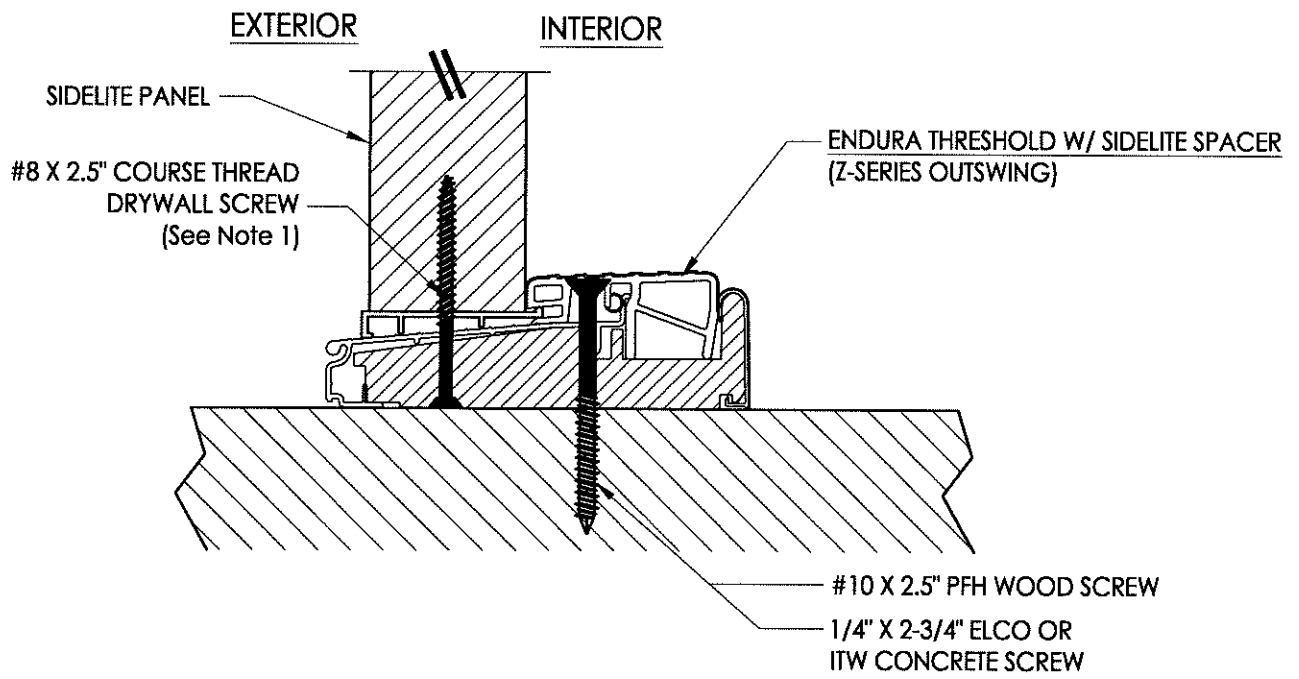
RW BUILDING CONSULTANTS, INC.
 P.O. Box 230 Veirico FL 33595
 Phone No.: 813.659.9197

TEXAS BOARD OF PROFESSIONAL ENGINEERS
 CERTIFICATE OF REGISTRATION # F-11852

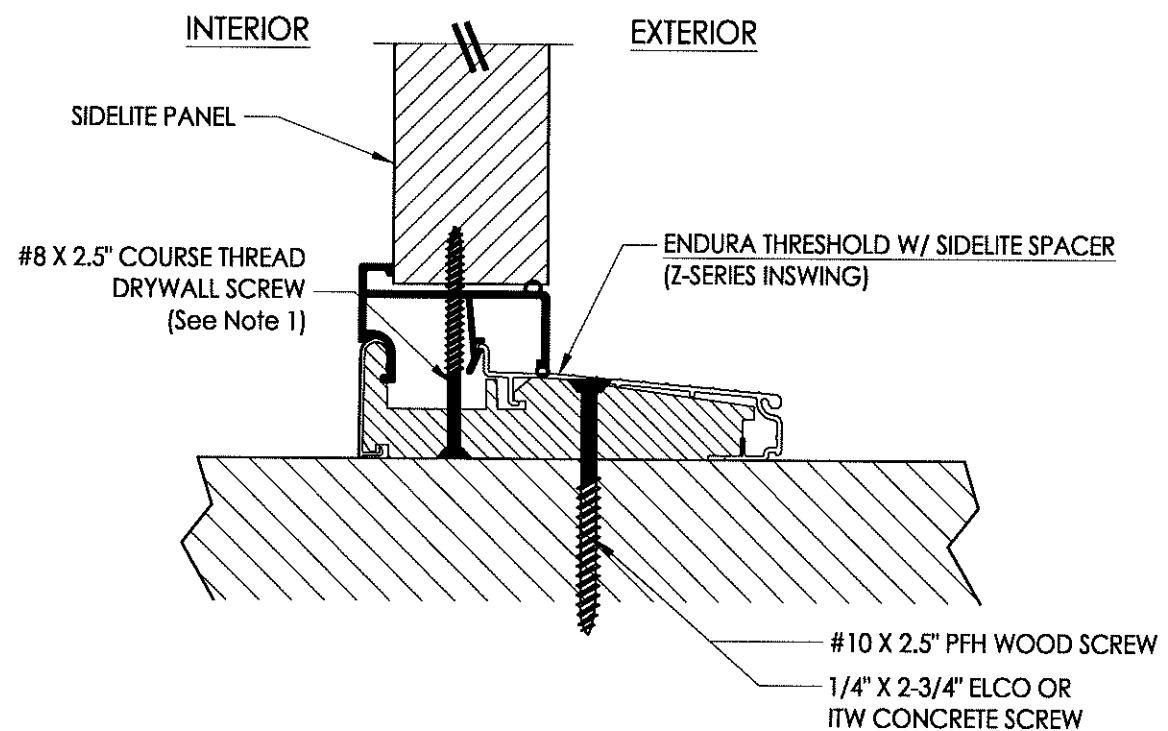
PRODUCT:	ENDURA
PART OR ASSEMBLY:	Steel DOOR
	VERTICAL CROSS SECTIONS

NO.	DATE	BY

© 2012 R.W. BUILDING CONSULTANTS INC.



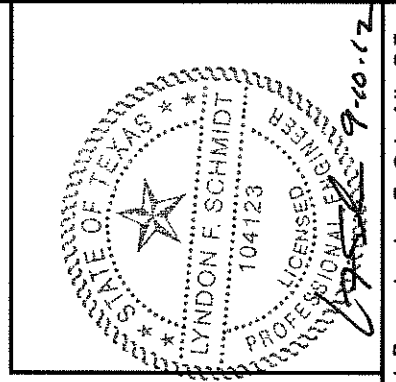
2 VERTICAL CROSS SECTION
7 Outswing configuration



3 VERTICAL CROSS SECTION
7 Inswing configuration

DATE:	9/06/12
SCALE:	N.T.S.
DWG. BY:	JK
CHK. BY:	LFS
DRAWING NO.:	TX-4218
SHEET	7 OF 8

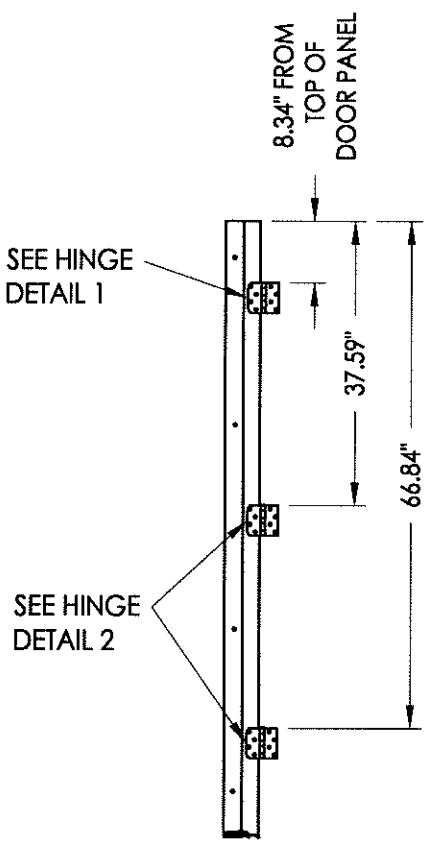
R:\A - Projects\Project Folders\Proj 1601 - 1700\PF 1675\DWG - RWBC Drawings\TX-4216-19.dwg, 8.3



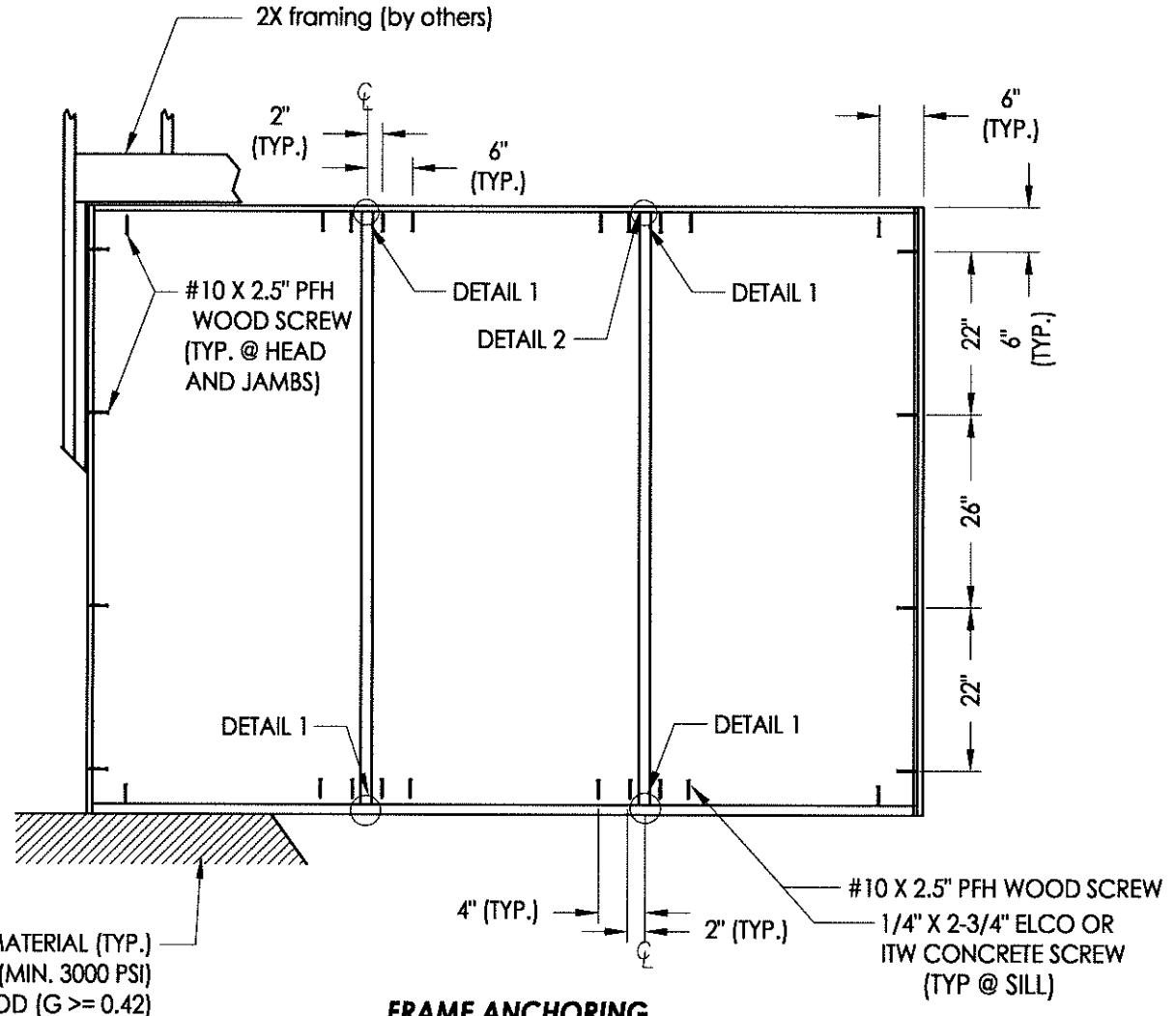
Documents Prepared By: Lyndon F. Schmidt, P.E.
TEXAS P.E. #104123

RW BUILDING CONSULTANTS, INC.
P.O. Box 230 Vairico FL 33595
Phone No.: 813.659.9197

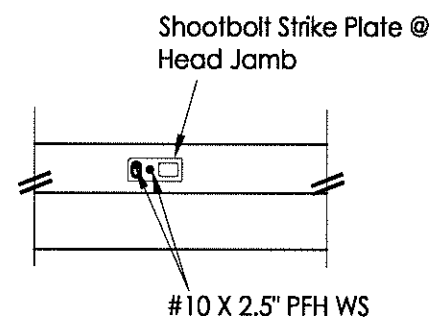
TEXAS BOARD OF PROFESSIONAL ENGINEERS
CERTIFICATE OF REGISTRATION # F-11852



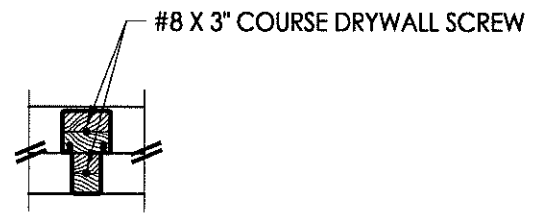
HINGE JAMB



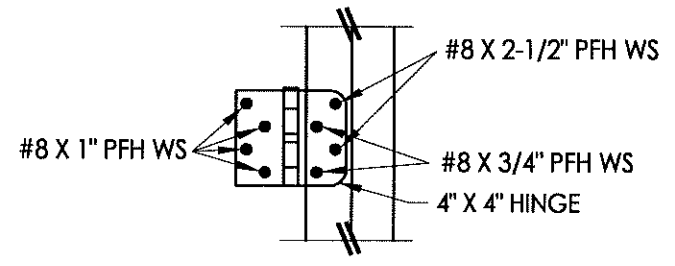
FRAME ANCHORING
OXO



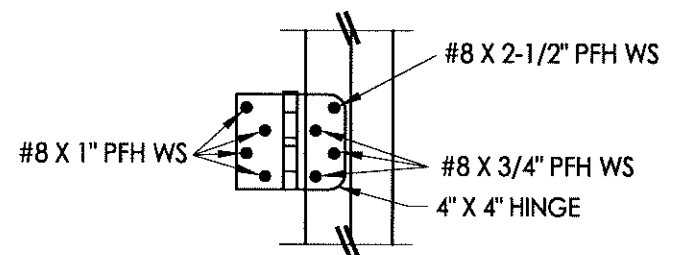
DETAIL 2



DETAIL 1
Integral mullion attachment



HINGE DETAIL 1



HINGE DETAIL 2

CONCRETE ANCHOR NOTES:

1. Concrete anchor locations at the corners may be adjusted to maintain the min. edge distance to mortar joints.
2. Concrete anchor locations noted as "MAX. ON CENTER" must be adjusted to maintain the min. edge distance to mortar joints, additional concrete anchors may be required to ensure the "MAX. ON CENTER" dimension are not exceeded.
3. Concrete anchor table:

ANCHOR TYPE	ANCHOR SIZE	MIN. EMBEDMENT	MIN. CLEARANCE TO MASONRY EDGE	MIN. CLEARANCE TO ADJACENT ANCHOR
ITW TAPCON®	1/4"	1-3/4"	2-1/2"	3"
ELCO ULTRACON®	1/4"	1-3/4"	1"	3"

PRODUCT:	ENDURA		
PART OR ASSEMBLY:	FRAME ANCHORING		
NO.	DATE	BY	
		REVISIONS	
DATE:	9/06/12		
SCALE:	N.T.S.		
DWG. BY:	JK		
CHK. BY:	LFS		
DRAWING NO.:	TX-4218		
SHEET	8	OF	8