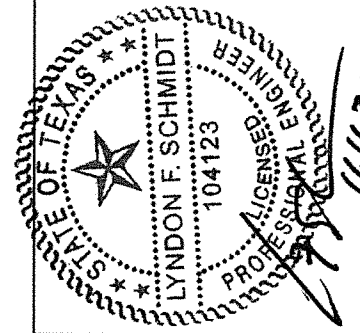
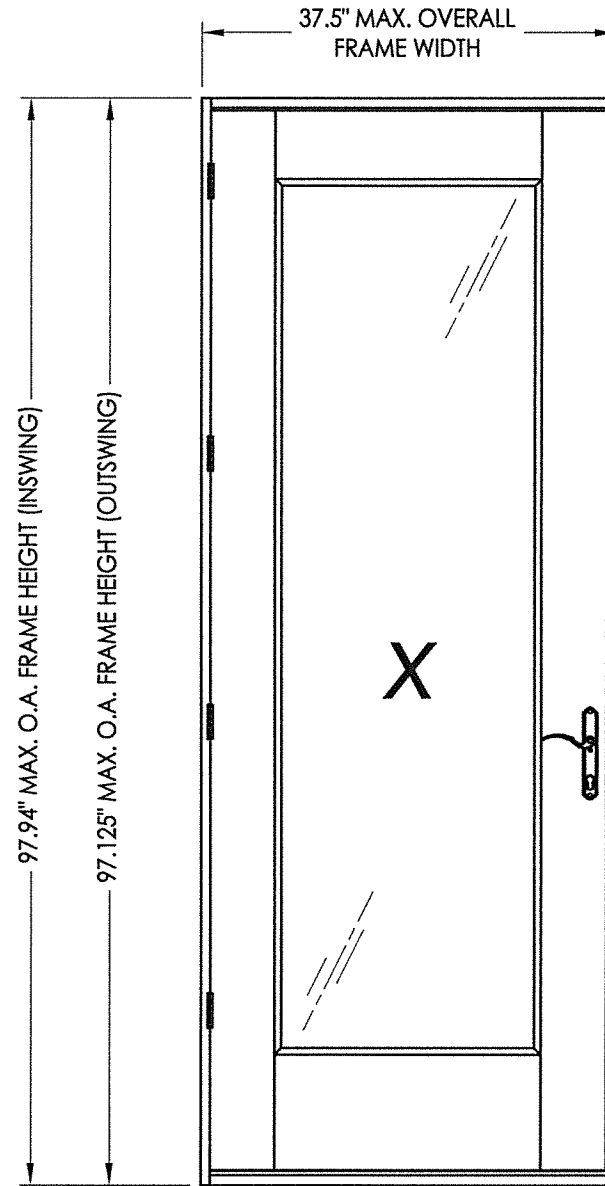


Glazed Fiberglass Door

"NON-IMPACT"
INSWING / OUTSWING



Documents Prepared By: Lyndon F. Schmidt, P.E.
TEXAS P.E. #104123

RW BUILDING CONSULTANTS, INC.
P.O. Box 230 Vero Beach, FL 33595
Phone No.: 813.659.9197

TEXAS BOARD OF PROFESSIONAL ENGINEERS
CERTIFICATE OF REGISTRATION # F-11852

EVALUATED FOR USE IN THE STATE OF TEXAS

TDI DR-608

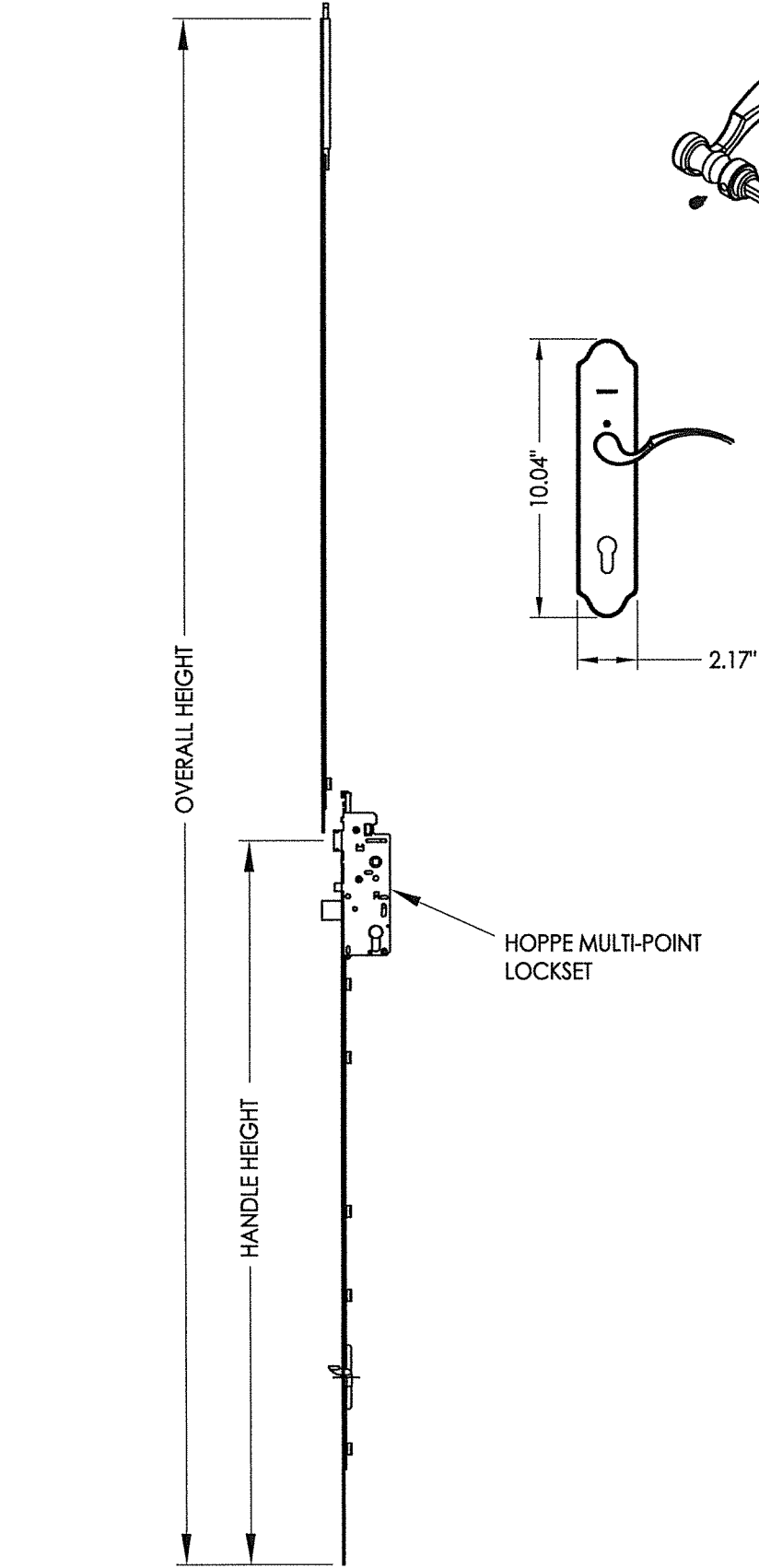
The Fiberglass Door system described herein complies with the 2018 International Residential Code (IRC), Sections R301 & R609 and the 2018 International Building Code (IBC), Sections 1404.13, 1609, 1709.5, 2403 and 2404 subject to the following conditions:

1. Anchors shall be as listed and spaced as shown in the details. Anchor embedment to base material shall be beyond wall dressing or stucco.
2. When used in areas requiring wind-borne debris protection this product is required to be protected with an impact resistant covering that complies with Section R301.2.1.2 of the IRC and Section 1609.1.2 of the IBC.
3. Allowable design pressure requirements must be equal to or less than the design pressure rating shown in the design pressure chart, sheet 1 of this drawing.
4. Conditions not covered by this drawing are subject to further engineering analysis.

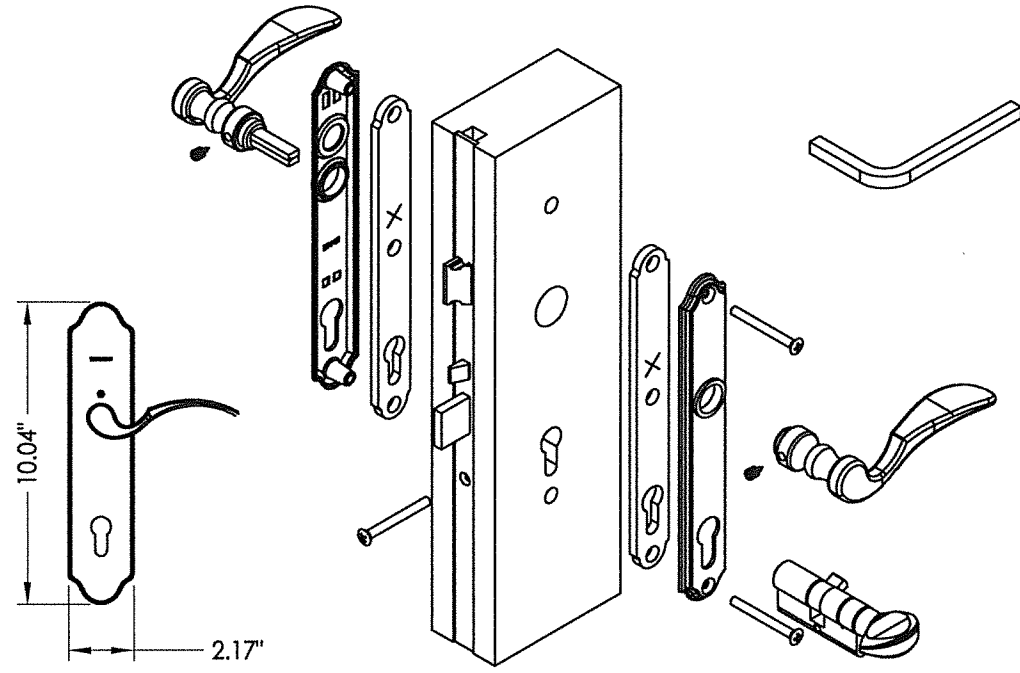
TABLE OF CONTENTS	
SHEET#	DESCRIPTION
1	Typical elevations, design pressures & general notes
2	Lock details (Hoppe HLS 9000)
3	Door panel details (Fiber Classic - flush glazing)
4	Door panel details (Smooth Star - flush glazing)
5	Horizontal cross sections
6	Vertical cross sections
7	Frame anchoring

CONFIG.	MODEL	DESIGN PRESSURE (PSF) INSWING		DESIGN PRESSURE (PSF) OUTSWING	
		POSITIVE	NEGATIVE	POSITIVE	NEGATIVE
X	FIBER CLASSIC	+30.0	-30.0	+50.0	-50.0
	SMOOTH STAR	+30.0	-30.0	+35.0	-35.0

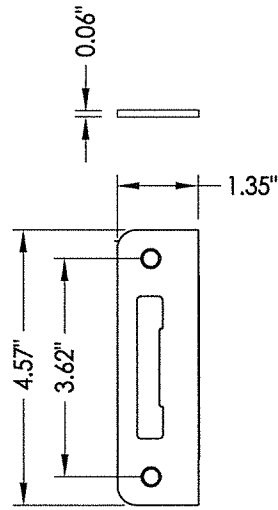
PRODUCT:	ENDURA	
PART OR ASSEMBLY:	TYPICAL ELEVATION, DESIGN PRESSURES & GENERAL NOTES	
NO.	DATE	BY
1	11/11/21	LFS
REVISIONS		
DATE: 1/08/14		
SCALE: N.T.S.		
DWG. BY: JK		
CHK. BY: LFS		
DRAWING NO.: TX-4428		
SHEET 1 OF 7		



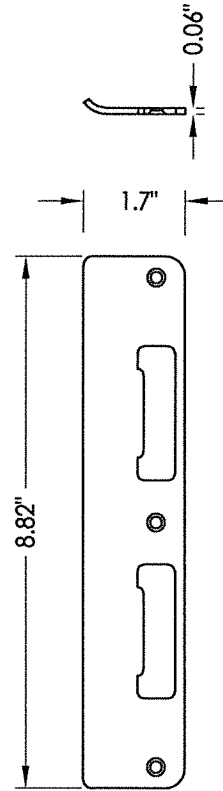
MANUAL TONGUE/SHOOTBOLT GEAR SYSTEM



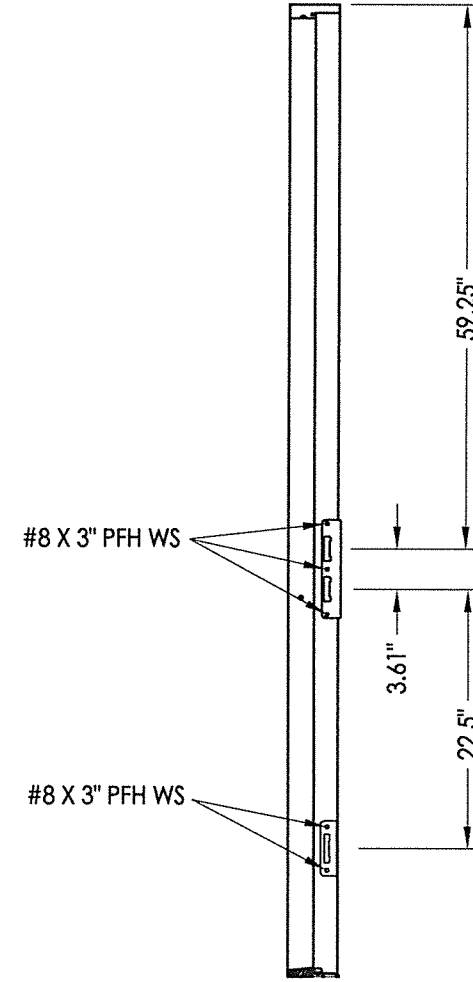
HOPPE MULTI-POINT LOCKSET
Manual Tongue/Shootbolt



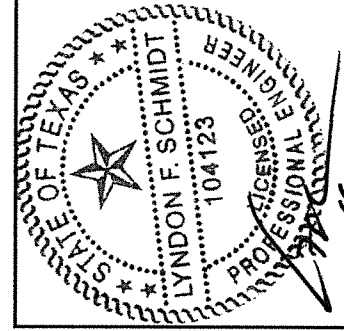
MULTI-POINT STRIKE PLATE



LATCH & DEADBOLT STRIKE PLATE



STRIKE JAMB



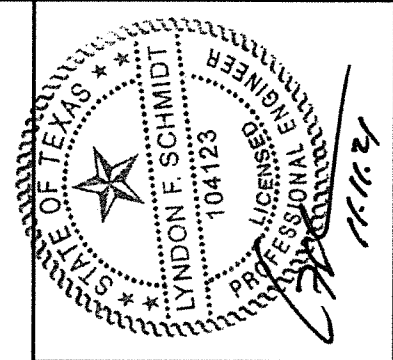
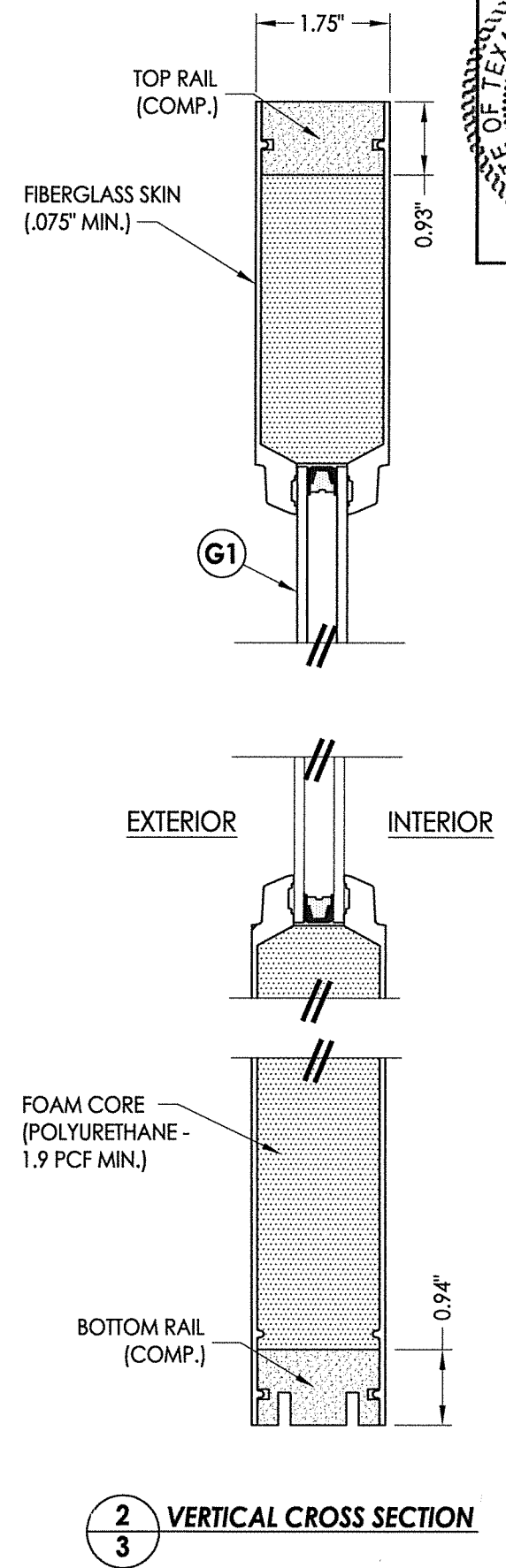
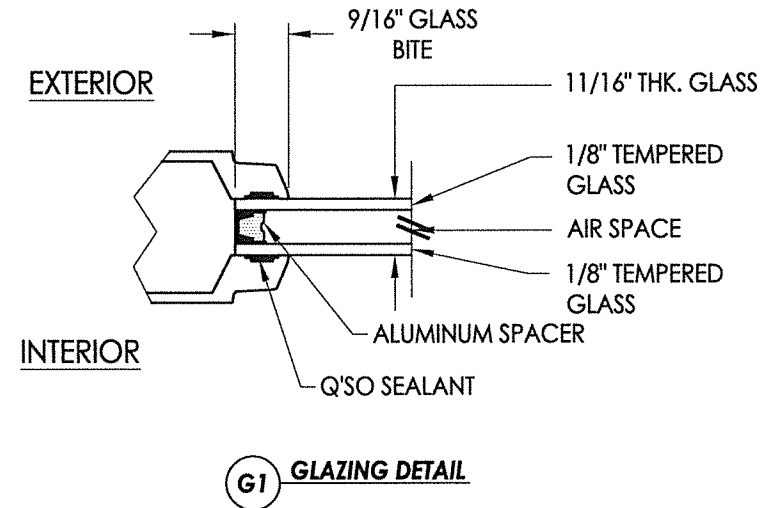
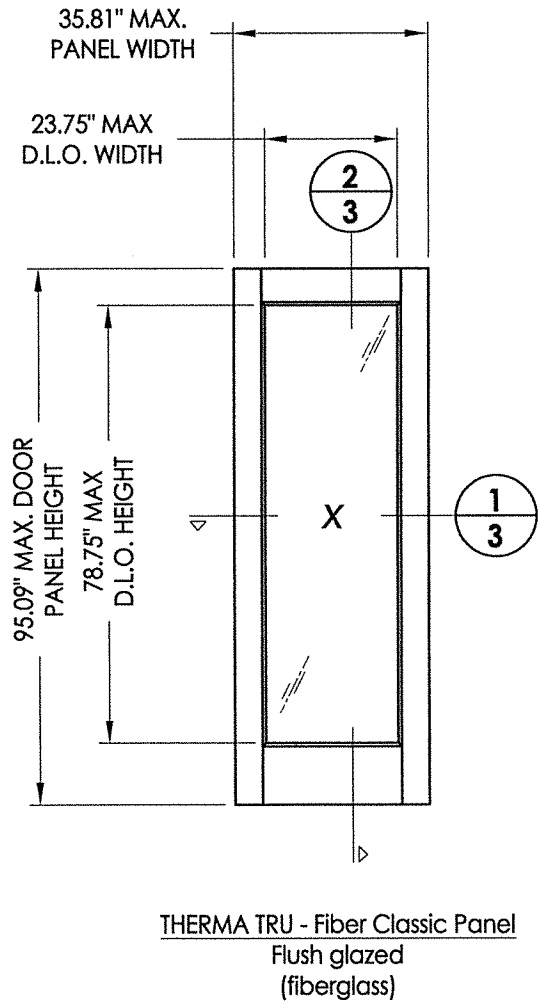
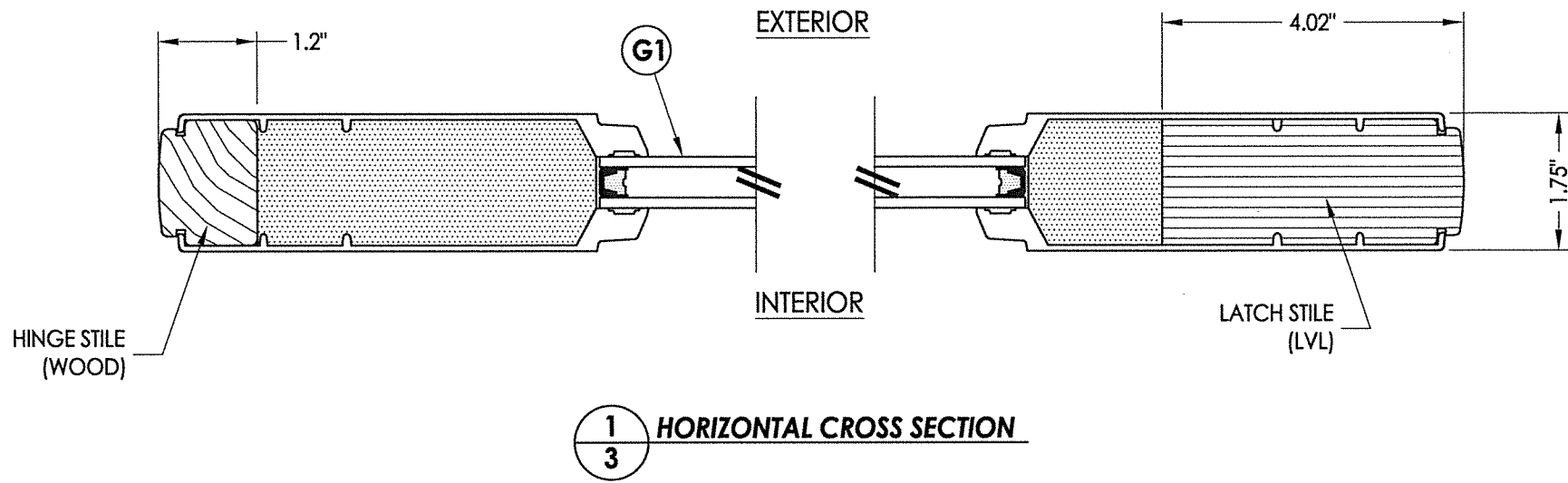
Documents Prepared By: Lyndon F. Schmidt, P.E.
TEXAS P.E. #104123

RW BUILDING CONSULTANTS, INC.
P.O. Box 230 Vairico FL 33595
Phone No.: 813.659.9197
TEXAS BOARD OF PROFESSIONAL ENGINEERS
CERTIFICATE OF REGISTRATION # F-11852

PRODUCT: ENDURA
PART OR ASSEMBLY: LOCK DETAILS (HOPPE HLS 9000)

NO.	DATE	REVISIONS
1	11/11/21	UPDATE TO 2018 IBC/IRC CODE
		LFS
		BY

DATE: 9/06/12
SCALE: N.T.S.
DWG. BY: JK
CHK. BY: LFS
DRAWING NO.: TX-4428
SHEET 2 OF 7



Documents Prepared By: Lyndon F. Schmidt, P.E.
TEXAS P.E. #104123

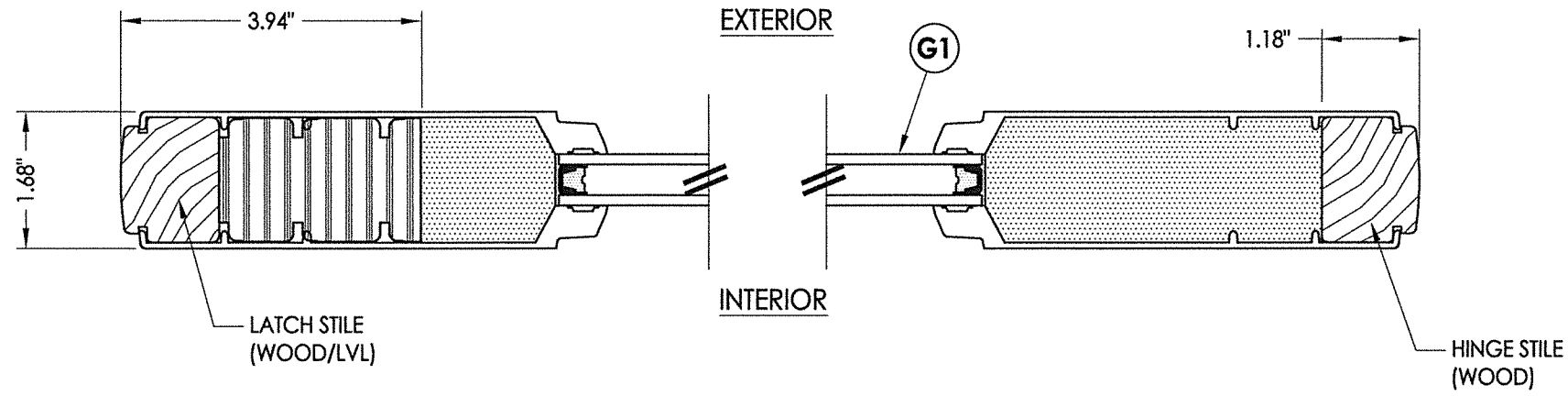
RW BUILDING CONSULTANTS, INC.
P.O. Box 230 Vairico FL 33595
Phone No.: 813.659.9197

TEXAS BOARD OF PROFESSIONAL ENGINEERS
CERTIFICATE OF REGISTRATION # F-11852

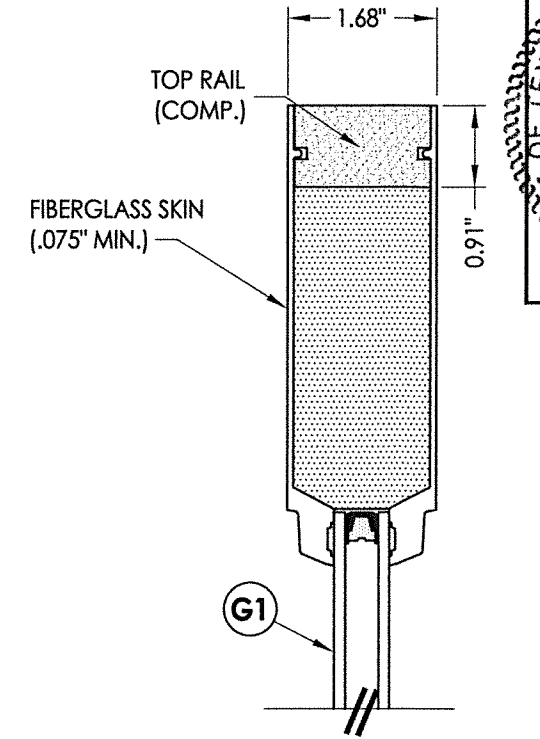
PRODUCT:	ENDURA
PART OR ASSEMBLY:	DOOR PANEL DETAILS (FIBER CLASSIC - FLUSH GLAZED)
NO.	1
DATE	11/11/21
UPDATE TO	2018 IBC/IRC CODE
BY	LFS
REVISIONS	

DATE: 1/08/14
SCALE: N.T.S.
DWG. BY: JK
CHK. BY: LFS
DRAWING NO.: TX-4428
SHEET 3 OF 7

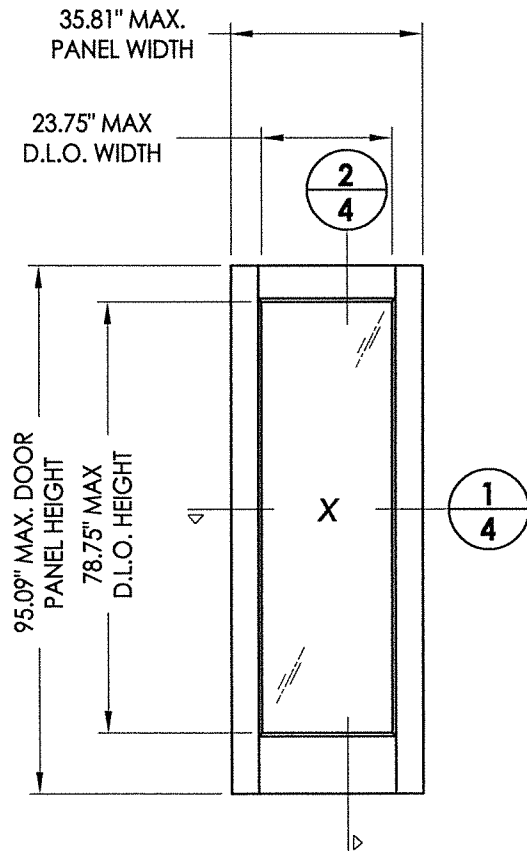
© 2014 R.W. BUILDING CONSULTANTS INC.



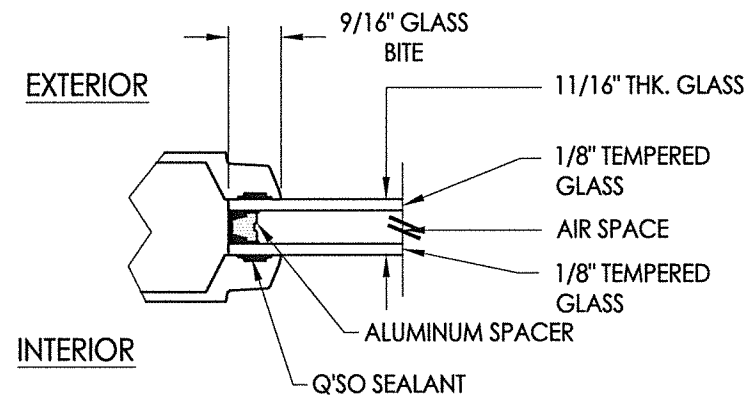
1
4 HORIZONTAL CROSS SECTION



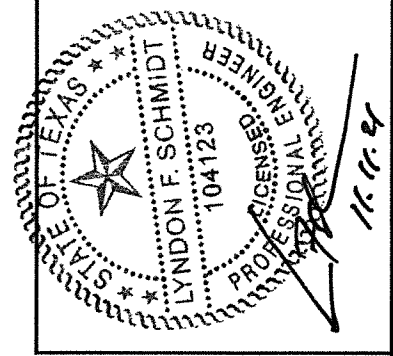
2
4 VERTICAL CROSS SECTION



THERMA TRU - Smooth Star Panel
Flush glazed
(fiberglass)



G1 GLAZING DETAIL

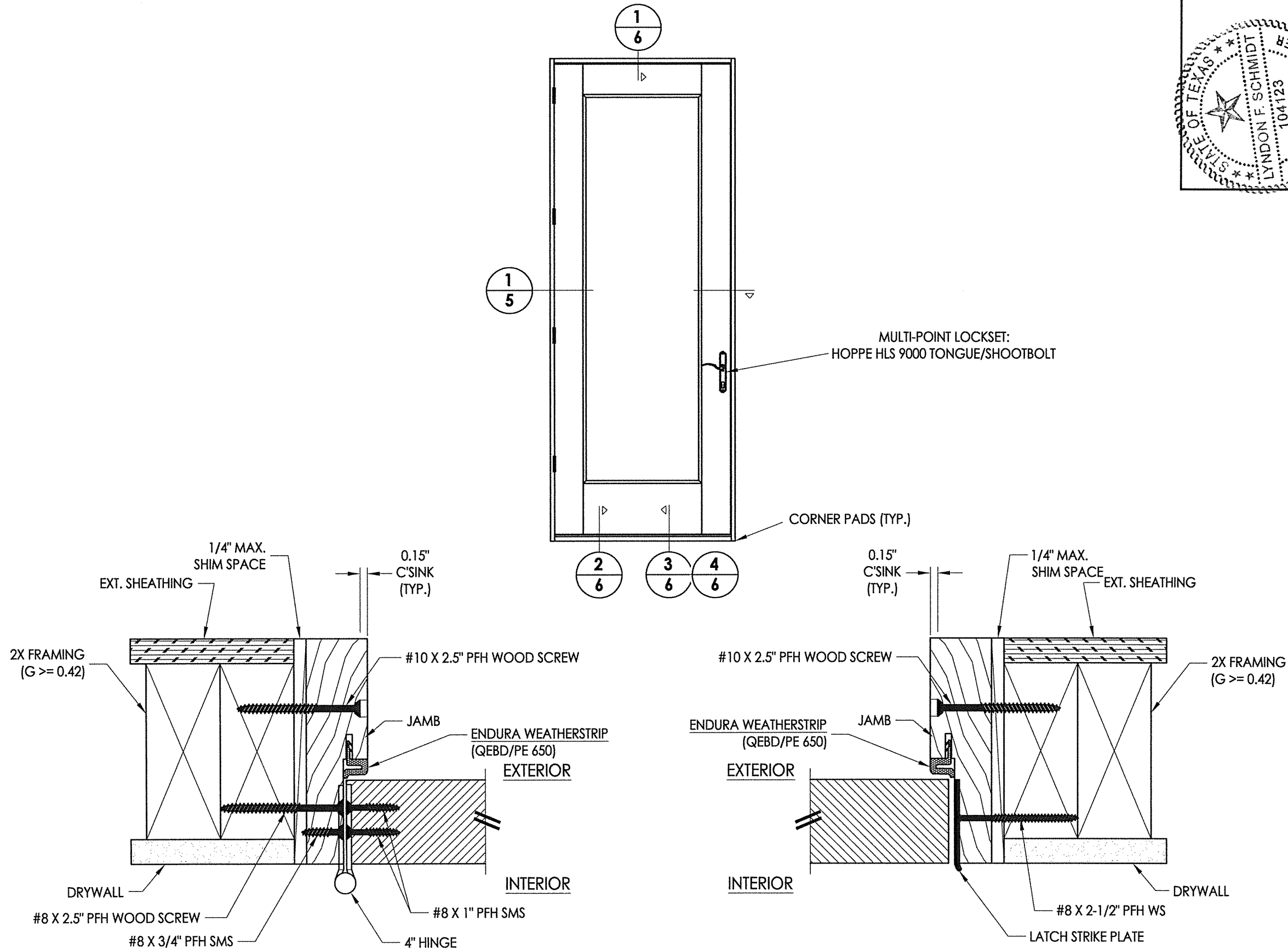


Documents Prepared By: Lyndon F. Schmidt, P.E.
TEXAS P.E. #104123

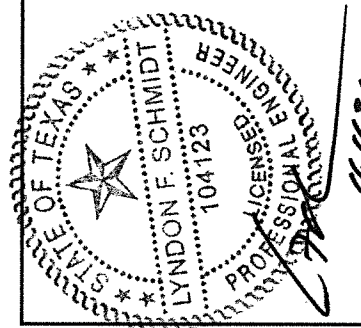
RW BUILDING CONSULTANTS, INC.
P.O. Box 230 Valrico FL 33595
Phone No.: 813.659.9197

TEXAS BOARD OF PROFESSIONAL ENGINEERS
CERTIFICATE OF REGISTRATION # F-11852

PRODUCT:	ENDURA				
PART OR ASSEMBLY:	DOOR PANEL DETAILS (SMOOTH STAR - FLUSH GLAZED)				
NO.	1	DATE	11/11/21	UPDATE TO 2018 IBC/IRC CODE	LFS
BY					
REVISIONS					
DATE:	1/08/14				
SCALE:	N.T.S.				
DWG. BY:	JK				
CHK. BY:	LFS				
DRAWING NO.:	TX-4428				
SHEET	4	OF	7		



1
5 **HORIZONTAL CROSS SECTION**
Inswing shown - Outswing also approved



Documents Prepared By: Lyndon F. Schmidt, P.E.
TEXAS P.E. #104123

RW BUILDING CONSULTANTS, INC.
P.O. Box 230 Valrico FL, 33595
Phone No.: 813.659.9197

TEXAS BOARD OF PROFESSIONAL ENGINEERS
CERTIFICATE OF REGISTRATION # F-11852

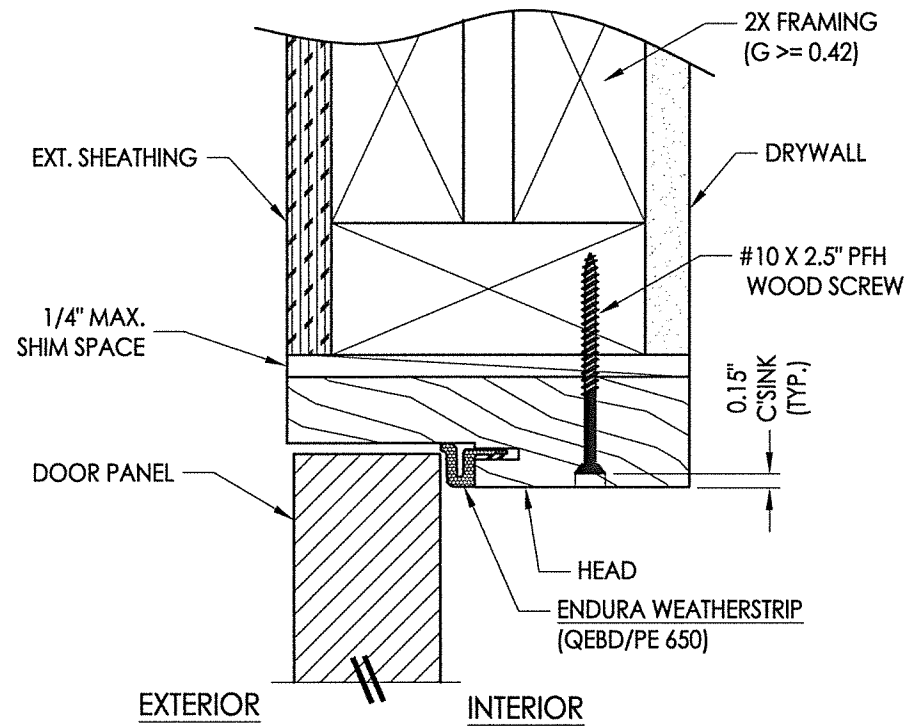
PRODUCT: ENDURA

PART OR ASSEMBLY: HORIZONTAL CROSS SECTIONS

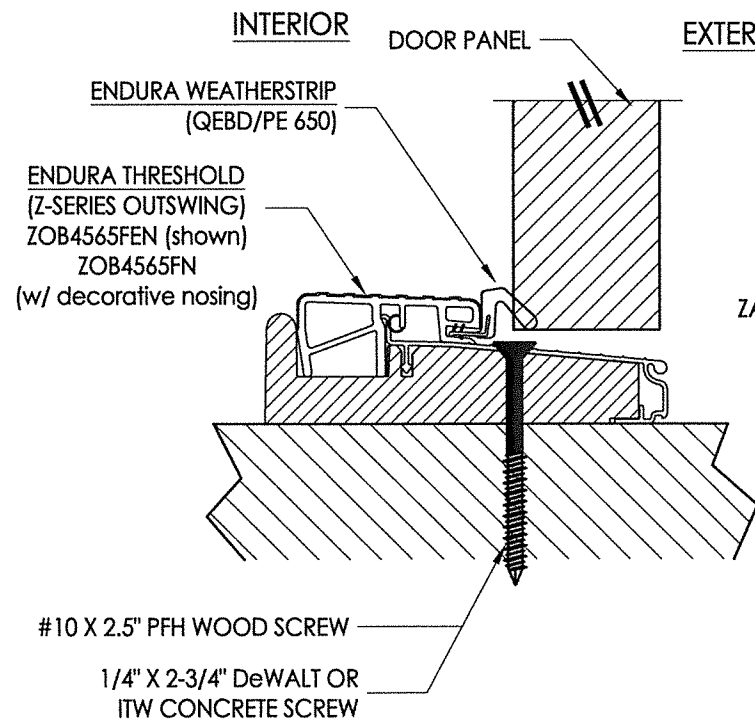
NO.	DATE	REVISIONS
1	11/11/21	UPDATE TO 2018 IBC/IRC CODE
		LFS
		BY

DATE: 1/08/14
SCALE: N.T.S.
DWG. BY: JK
CHK. BY: LFS
DRAWING NO.: TX-4428
SHEET 5 OF 7

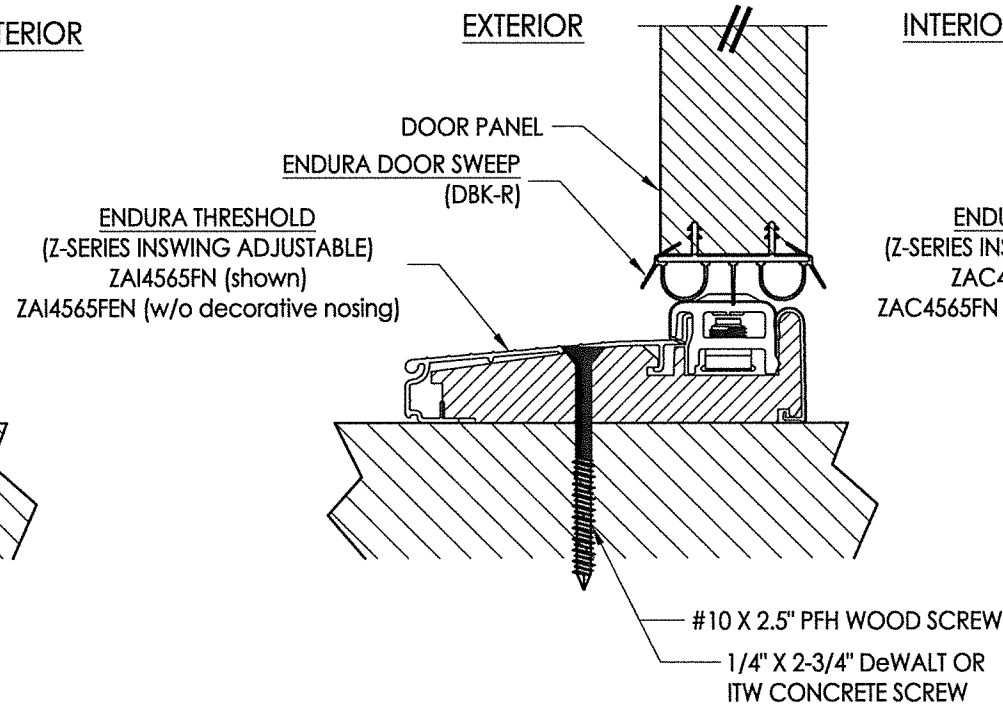
Z:\Clients\Endura PERMANENT\B - Texas Dept of Ins\TDI - DR-608 Therma-Tru Flush Glazed\Drawings\TX-4427-28.dwg



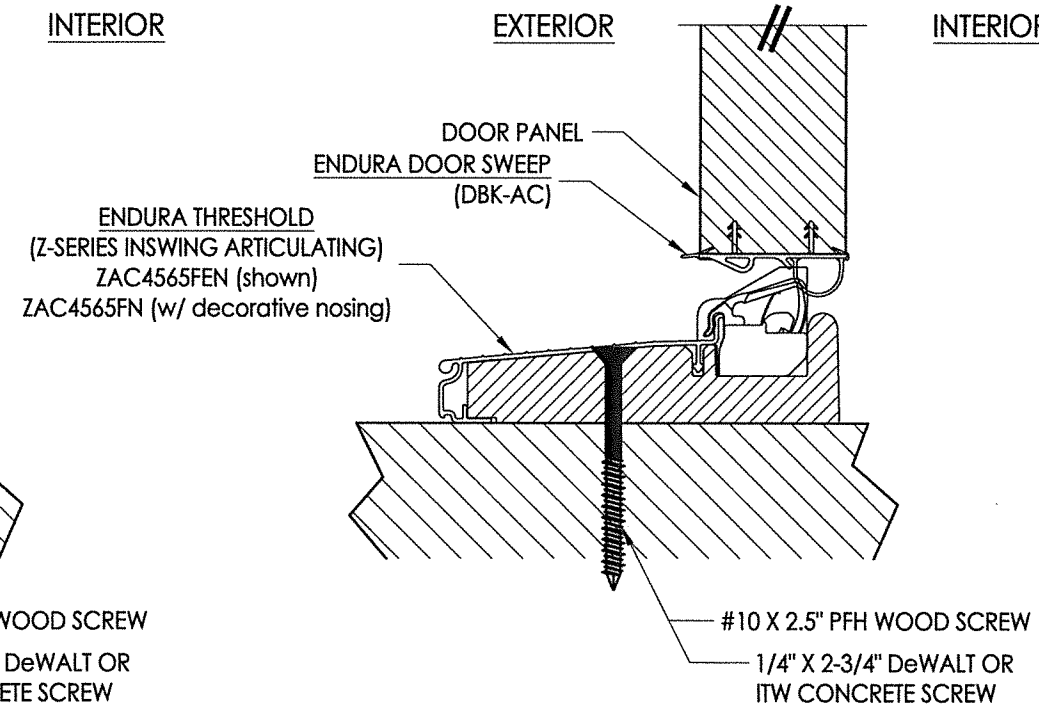
1 VERTICAL CROSS SECTION
 6 Outswing shown - inswing also approved



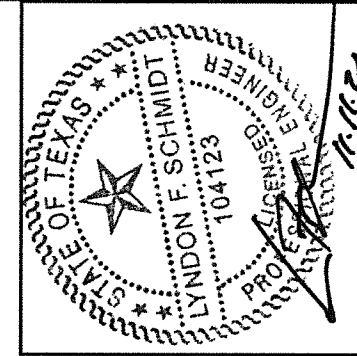
2 VERTICAL CROSS SECTION
 6 Outswing shown



3 VERTICAL CROSS SECTION
 6 Inswing configuration



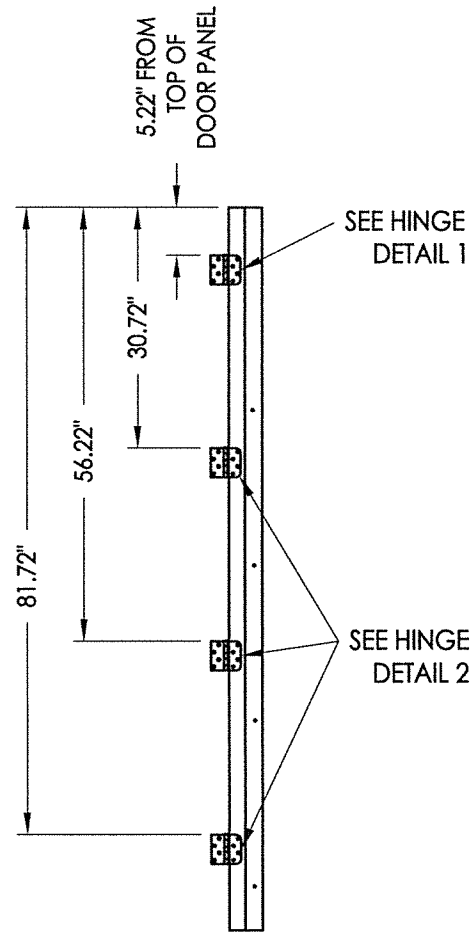
4 VERTICAL CROSS SECTION
 6 Inswing configuration



Documents Prepared By: Lyndon F. Schmidt, P.E.
 TEXAS P.E. #104123

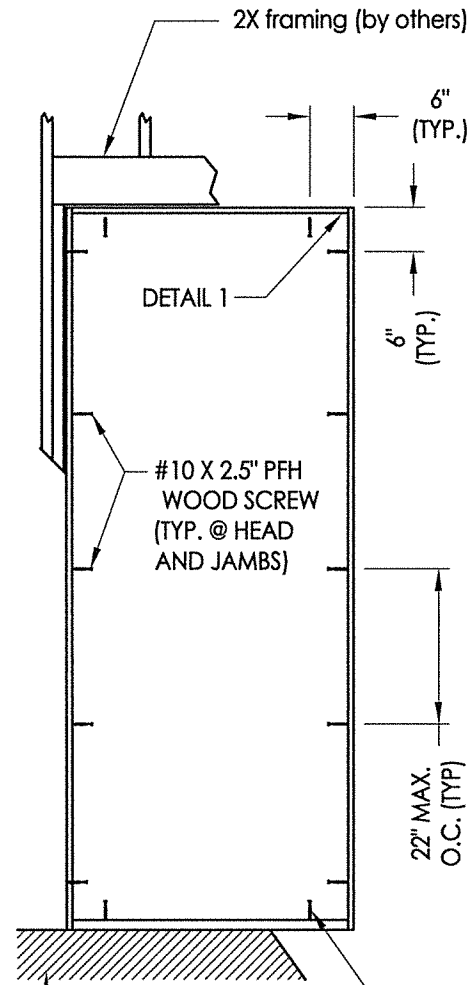
RW BUILDING CONSULTANTS, INC.
 P.O. Box 230 Valrico FL 33595
 Phone No.: 813.659.9197
 TEXAS BOARD OF PROFESSIONAL ENGINEERS
 CERTIFICATE OF REGISTRATION # F-11852

PRODUCT:		ENDURA	
PART OR ASSEMBLY:		VERTICAL CROSS SECTIONS	
NO.	DATE	BY	REVISIONS
1	11/11/21	LFS	UPDATE TO 2018 IBC/IRC CODE
DATE: 1/08/14			
SCALE: N.T.S.			
DWG. BY: JK			
CHK. BY: LFS			
DRAWING NO.: TX-4428			
SHEET 6 OF 7			



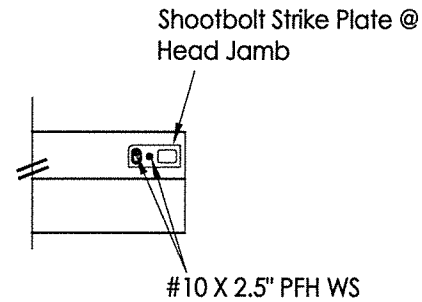
HINGE JAMB

FLOOR SUBSTRATE MATERIAL (TYP.)
 CONCRETE (MIN. 3000 PSI)
 WOOD (G >= 0.42)

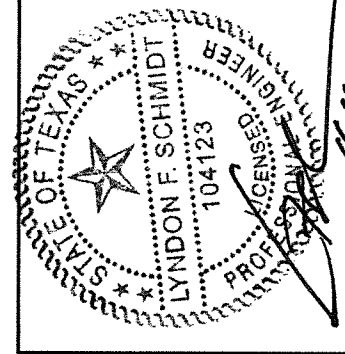


FRAME ANCHORING

#10 X 2.5" PFH WOOD SCREW
 1/4" X 2-3/4" DeWALT OR
 ITW CONCRETE SCREW
 (TYP @ SILL)



DETAIL 1



Documents Prepared By: Lyndon F. Schmidt, P.E.
 TEXAS P.E. #104123

RW BUILDING CONSULTANTS, INC.
 P.O. Box 230 Valrico FL 33595
 Phone No.: 813.659.9197

TEXAS BOARD OF PROFESSIONAL ENGINEERS
 CERTIFICATE OF REGISTRATION # F-11852

PRODUCT: ENDURA

PART OR ASSEMBLY:
 FRAME ANCHORING

NO.	DATE	REVISIONS
1	11/11/21	UPDATE TO 2018 IBC/IRC CODE
		LFS
		BY

DATE: 1/08/14

SCALE: N.T.S.

DWG. BY: JK

CHK. BY: LFS

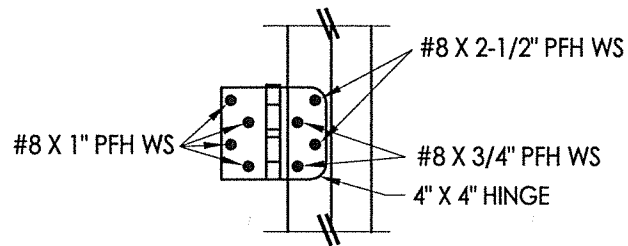
DRAWING NO.: TX-4428

SHEET 7 OF 7

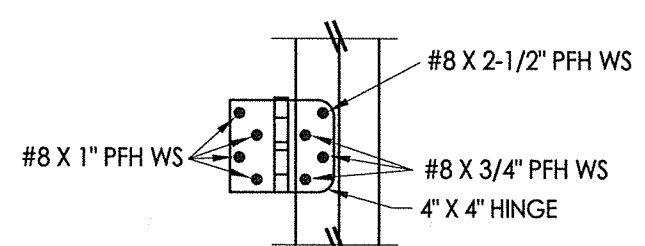
CONCRETE ANCHOR NOTES:

- Concrete anchor locations at the corners may be adjusted to maintain the min. edge distance to mortar joints.
- Concrete anchor locations noted as "MAX. ON CENTER" must be adjusted to maintain the min. edge distance to mortar joints, additional concrete anchors may be required to ensure the "MAX. ON CENTER" dimension are not exceeded.
- Concrete anchor table:

ANCHOR TYPE	ANCHOR SIZE	MIN. EMBEDMENT	MIN. CLEARANCE TO MASONRY EDGE	MIN. CLEARANCE TO ADJACENT ANCHOR
ITW TAPCON®	1/4"	1-3/4"	2-1/2"	3"
DeWALT ULTRACON®	1/4"	1-3/4"	1"	3"



HINGE DETAIL 1



HINGE DETAIL 2