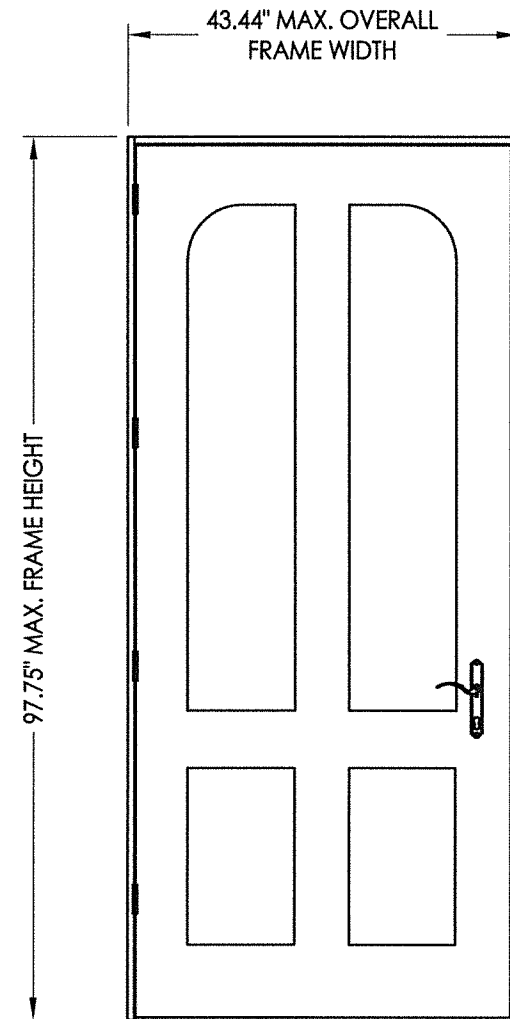


# Opaque Fiberglass Door

"NON-IMPACT"  
INSWING



**EVALUATED FOR USE IN THE STATE OF TEXAS**

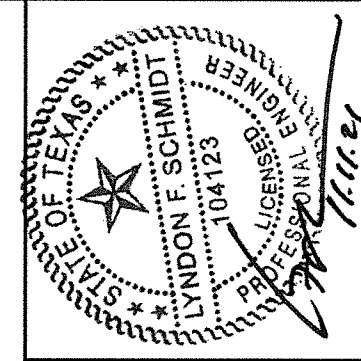
**TDI DR-608**

The Fiberglass Door system described herein complies with the 2018 International Residential Code (IRC), Sections R301 & R609 and the 2018 International Building Code (IBC), Sections 1404.13, 1609, 1709.5, 2403 and 2404 subject to the following conditions:

1. Anchors shall be as listed and spaced as shown in the details. Anchor embedment to base material shall be beyond wall dressing or stucco.
2. When used in areas requiring wind-borne debris protection this product is required to be protected with an impact resistant covering that complies with Section R301.2.1.2 of the IRC and Section 1609.1.2 of the IBC.
3. Allowable design pressure requirements must be equal to or less than the design pressure rating shown in the design pressure chart, sheet 1 of this drawing.
4. Conditions not covered by this drawing are subject to further engineering analysis.

TABLE OF CONTENTS	
SHEET#	DESCRIPTION
1	Typical elevations, design pressures & general notes
2	Lock details (Hoppe HLS 9000)
3	Door panel details
4	Horizontal cross sections
5	Vertical cross sections
6	Frame anchoring

CONFIG.	MODEL	DESIGN PRESSURE (PSF) INSWING	
		POSITIVE	NEGATIVE
X	CLASSIC CRAFT RUSTIC	+45.0	-45.0

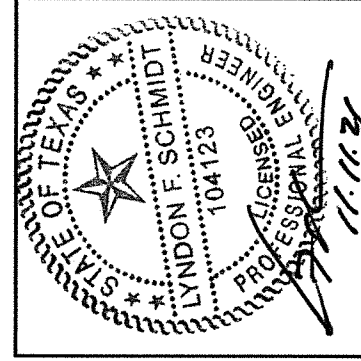
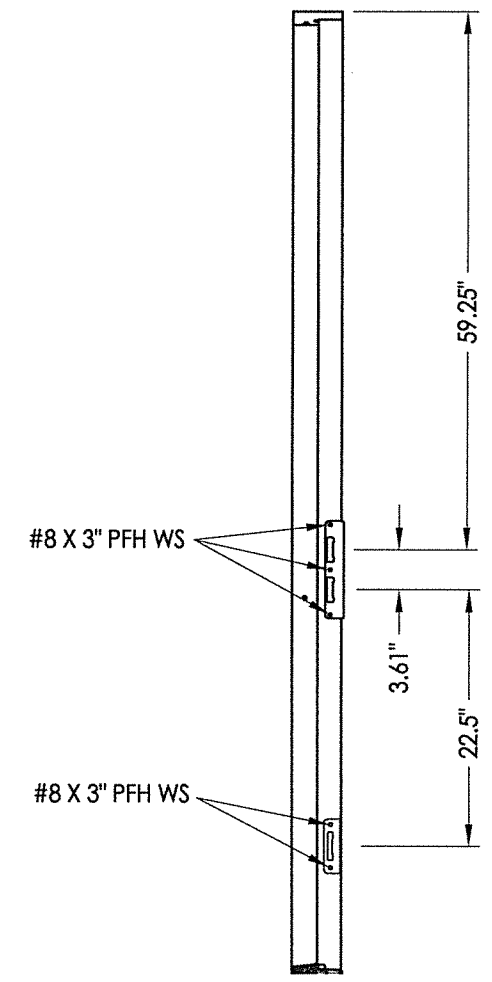
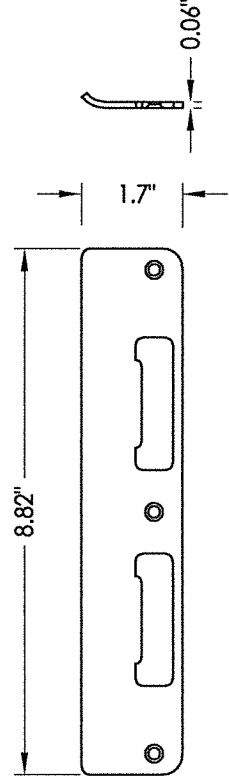
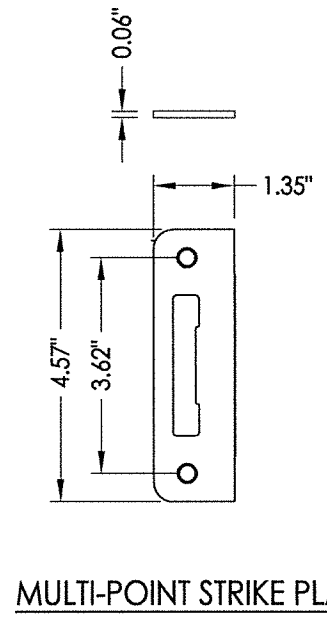
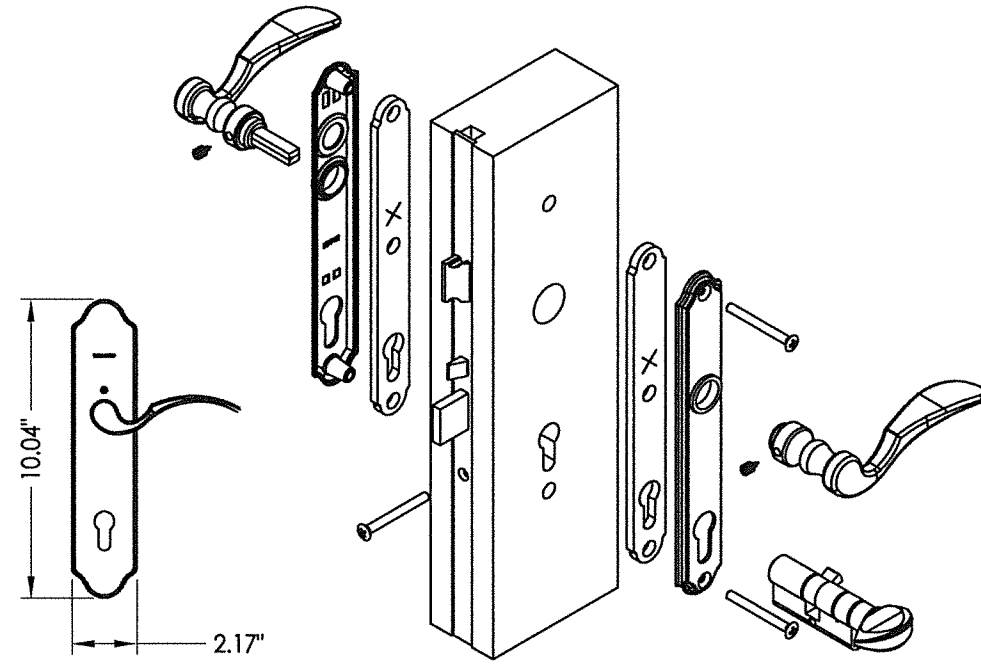
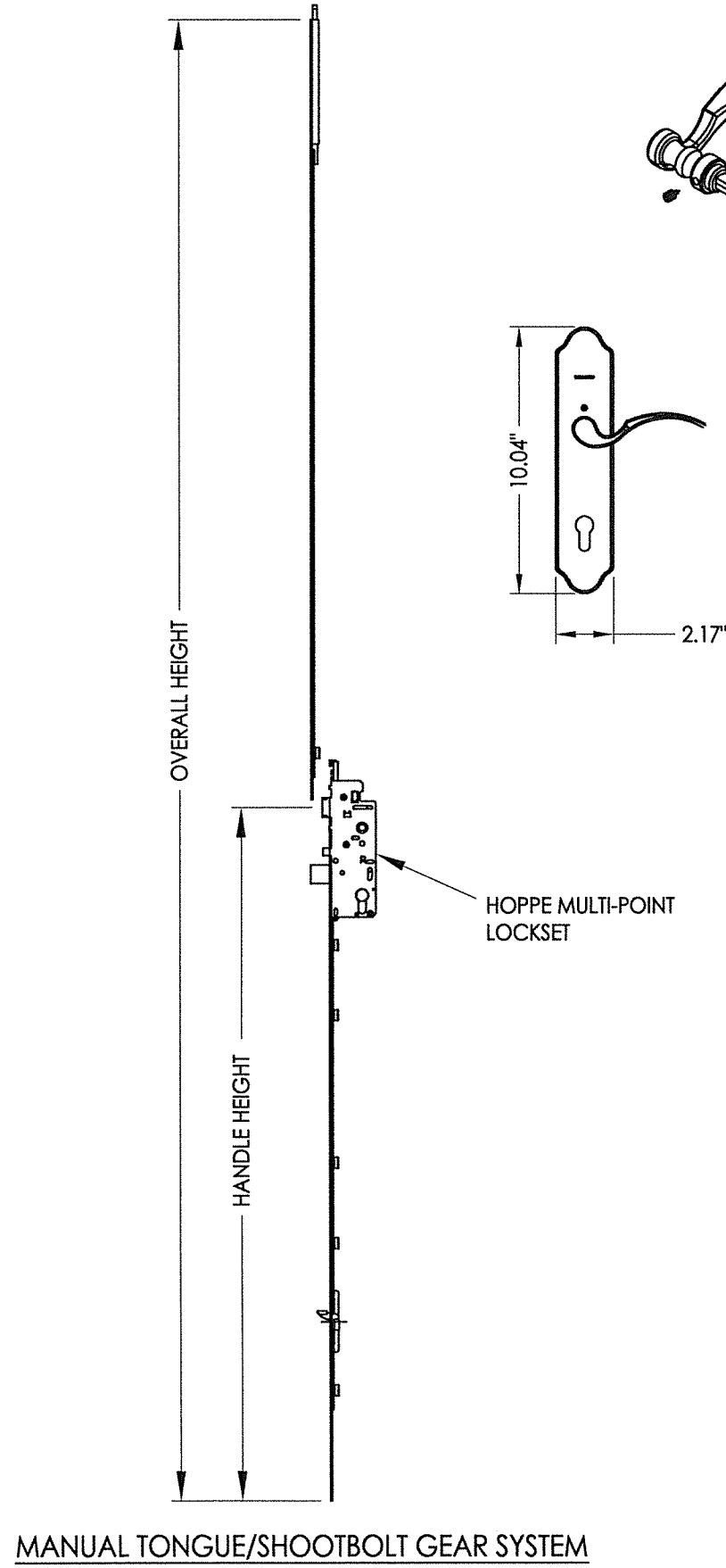


Documents Prepared By: Lyndon F. Schmidt, P.E.  
TEXAS P.E. #104123

**RW** BUILDING CONSULTANTS, INC.  
P.O. Box 230 Vairico FL 33595  
Phone No.: 813.659.9197

TEXAS BOARD OF PROFESSIONAL ENGINEERS  
CERTIFICATE OF REGISTRATION # F-11852

PRODUCT:	ENDURA
PART OR ASSEMBLY:	TYPICAL ELEVATION, DESIGN PRESSURES & GENERAL NOTES
DATE	9/06/12
SCALE	N.T.S.
DWG. BY	JK
CHK. BY	LFS
DRAWING NO.	TX-4222
SHEET	1 OF 6

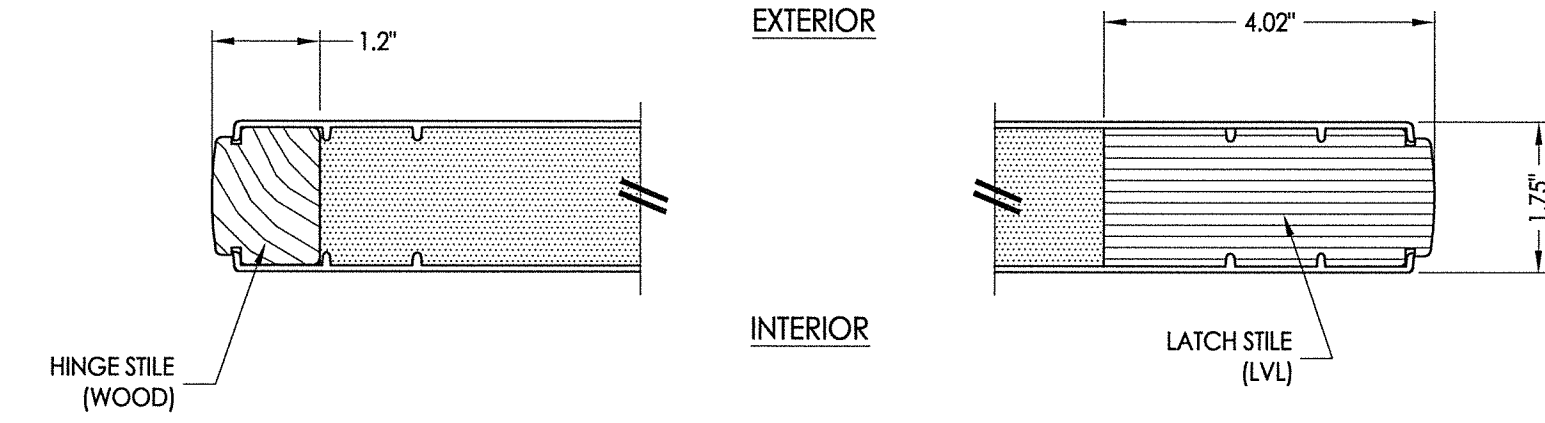


Documents Prepared By: Lyndon F. Schmidt, P.E.  
TEXAS P.E. #104123

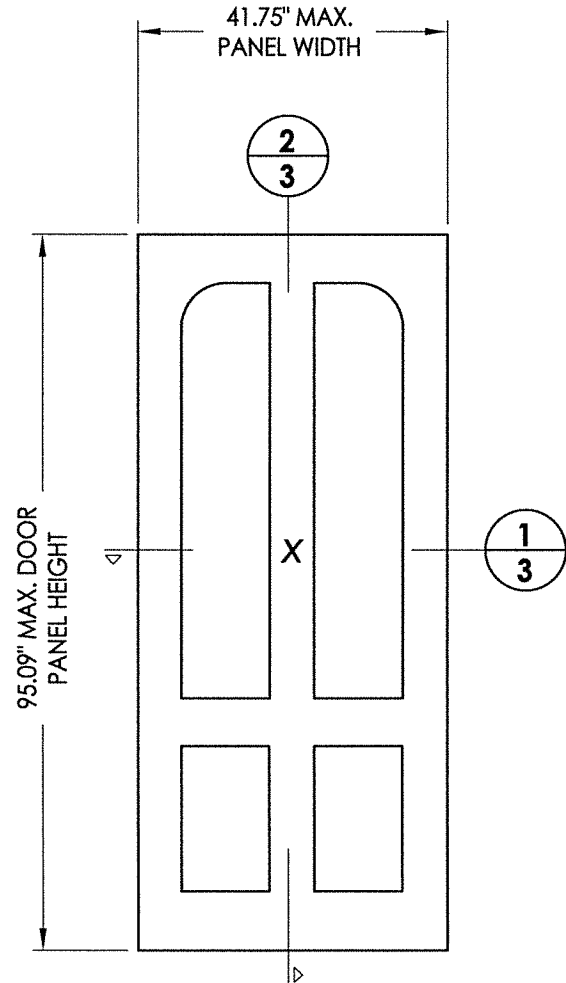
**RW** BUILDING CONSULTANTS, INC.  
P.O. Box 230 Valrico FL 33595  
Phone No.: 813.659.9197

TEXAS BOARD OF PROFESSIONAL ENGINEERS  
CERTIFICATE OF REGISTRATION # F-11852

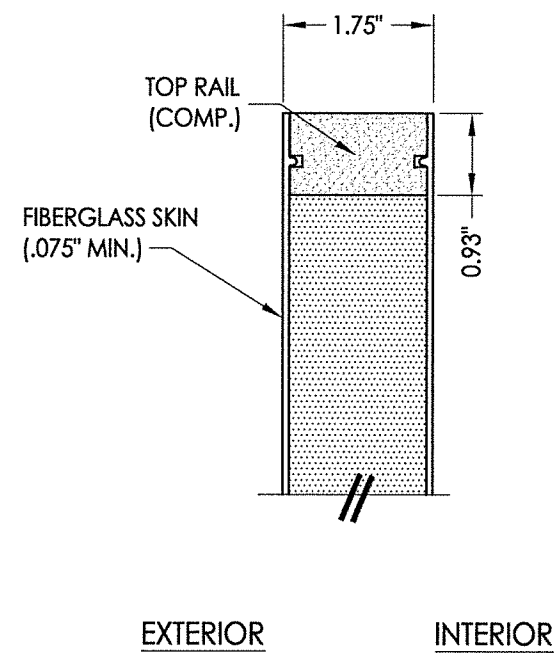
PRODUCT:		ENDURA	
PART OR ASSEMBLY:		LOCK DETAILS (HOPPE HLS 9000)	
NO.	DATE	LFS	BY
2	11/11/21	UPDATE TO 2018 IBC/IRC CODE	LFS
1	1/08/14	ADDED ARTICULATING SILL	LFS
REVISIONS			
DATE: 9/06/12			
SCALE: N.T.S.			
DWG. BY: JK			
CHK. BY: LFS			
DRAWING NO.: TX-4222			
SHEET 2 OF 6			



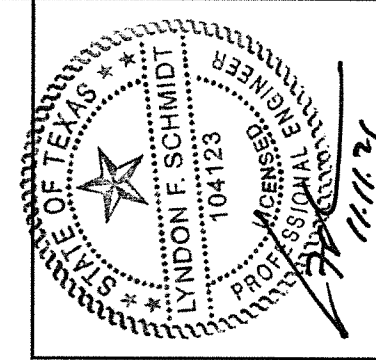
**1**  
**3** HORIZONTAL CROSS SECTION



THERMA TRU - Classic Craft Rustic Panel  
(fiberglass)



**2**  
**3** VERTICAL CROSS SECTION



Documents Prepared By: Lyndon F. Schmidt, P.E.  
TEXAS P.E. #104123

**RW** BUILDING CONSULTANTS, INC.  
P.O. Box 230 Valrico FL 33595  
Phone No.: 813.659.9197

TEXAS BOARD OF PROFESSIONAL ENGINEERS  
CERTIFICATE OF REGISTRATION # F-11852

PRODUCT: ENDURA

PART OR ASSEMBLY:  
DOOR/SIDELITE PANEL DETAILS  
(FIBER GLASSIC - FLUSH GLAZED)

NO.	DATE	REVISIONS
2	11/11/21	UPDATE TO 2018 IBC/IRC CODE
1	1/08/14	ADDED ARTICULATING SILL

DATE: 9/06/12

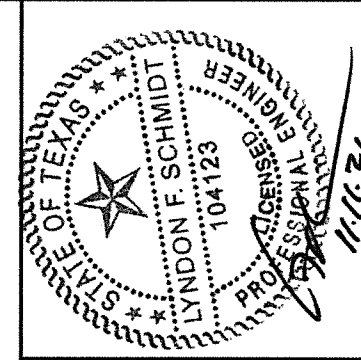
SCALE: N.T.S.

DWG. BY: JK

CHK. BY: LFS

DRAWING NO.: TX-4222

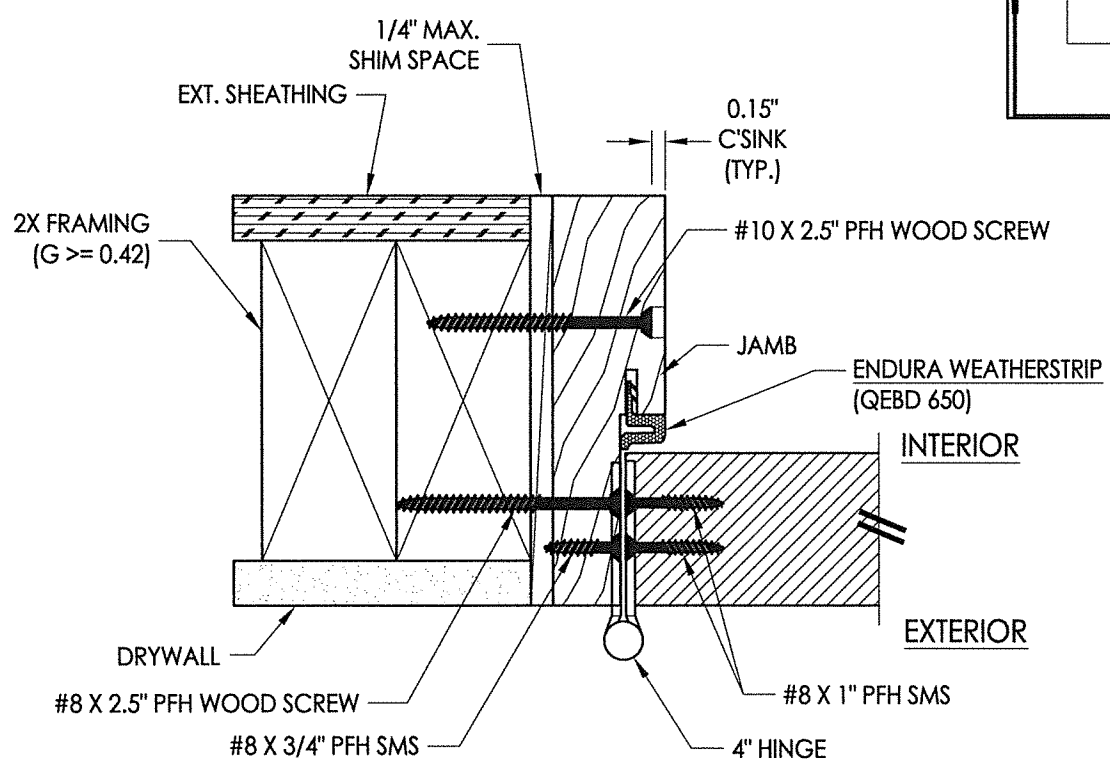
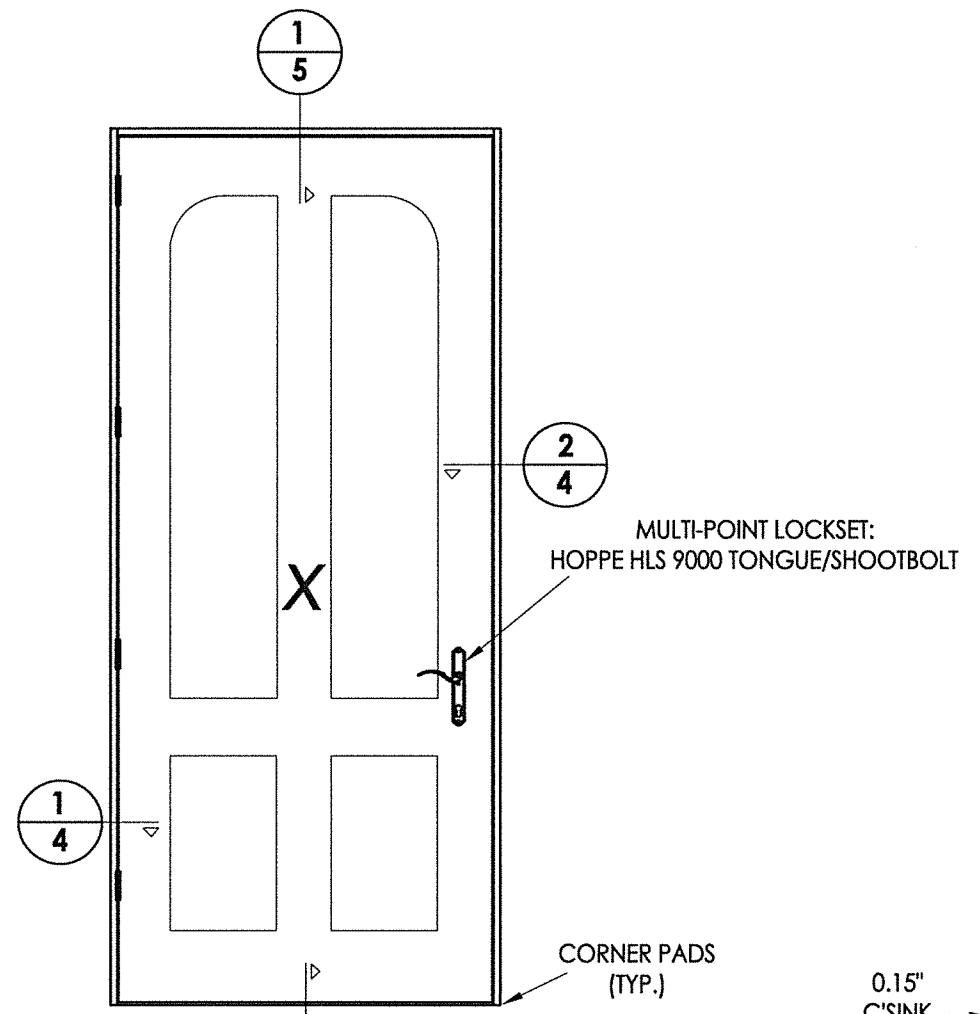
SHEET 3 OF 6



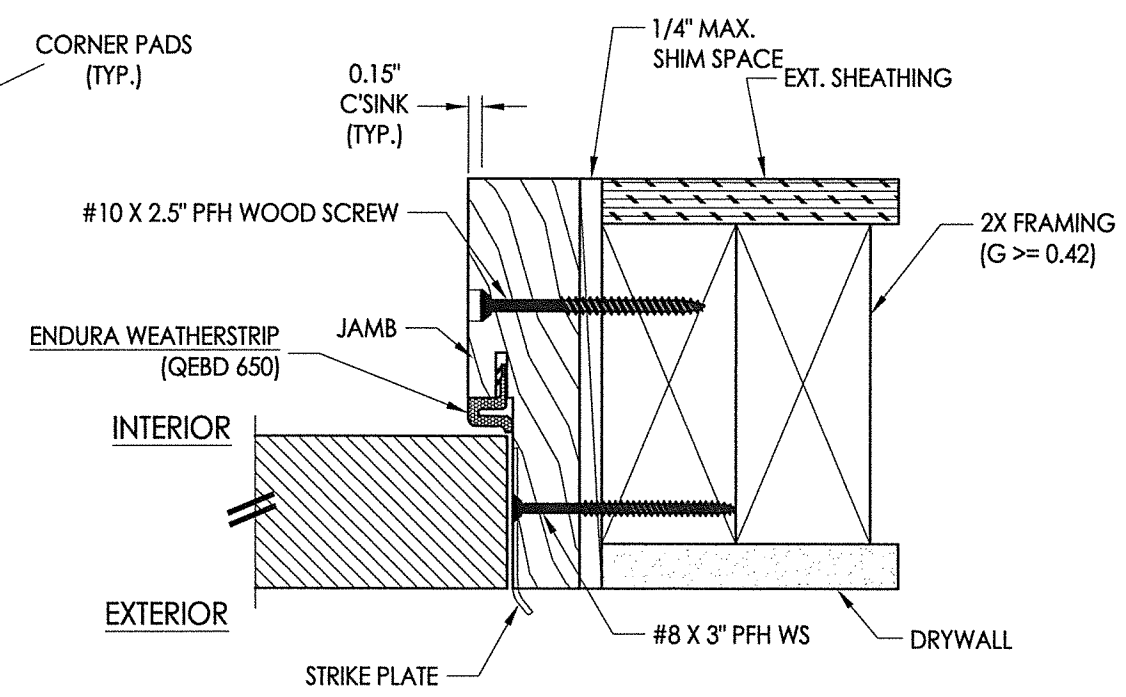
Documents Prepared By: Lyndon F. Schmidt, P.E.  
TEXAS P.E. #104123

**RW** BUILDING CONSULTANTS, INC.  
P.O. Box 230 Vairico FL 33595  
Phone No.: 813.659.9197

TEXAS BOARD OF PROFESSIONAL ENGINEERS  
CERTIFICATE OF REGISTRATION # F-11852

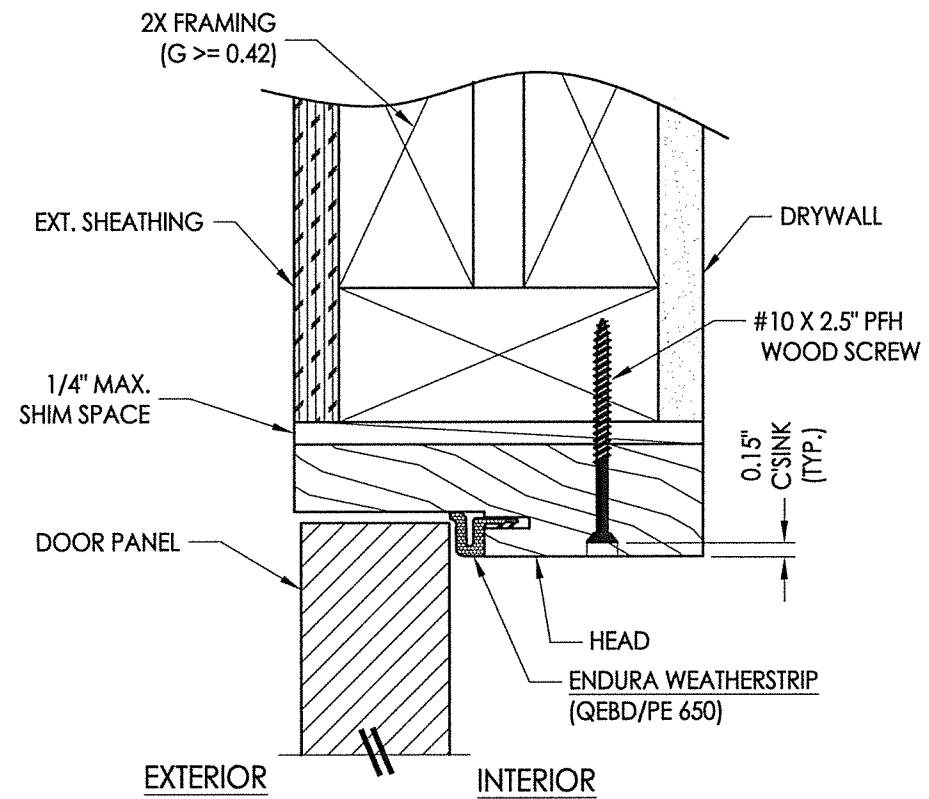


**1**  
**4** HORIZONTAL CROSS SECTION

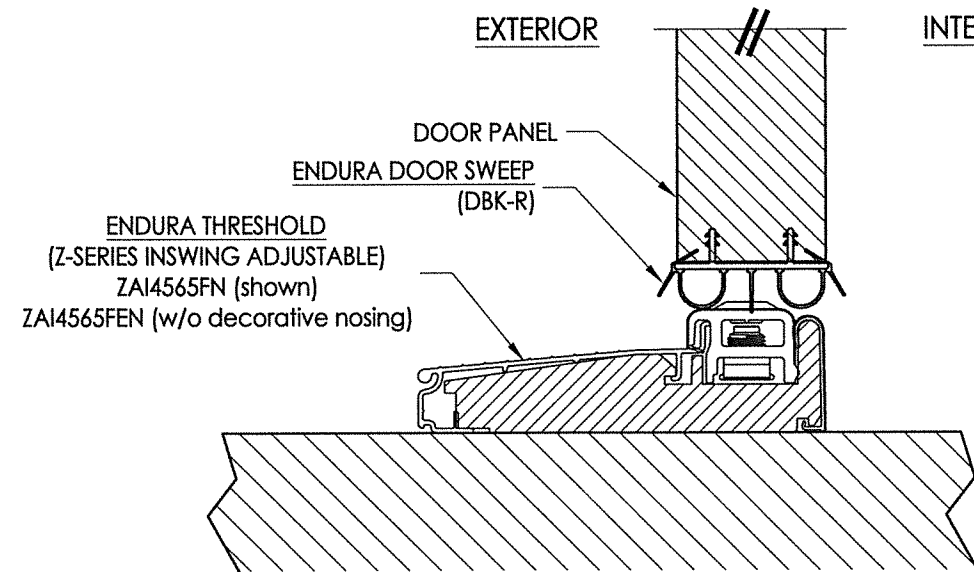


**2**  
**4** HORIZONTAL CROSS SECTION

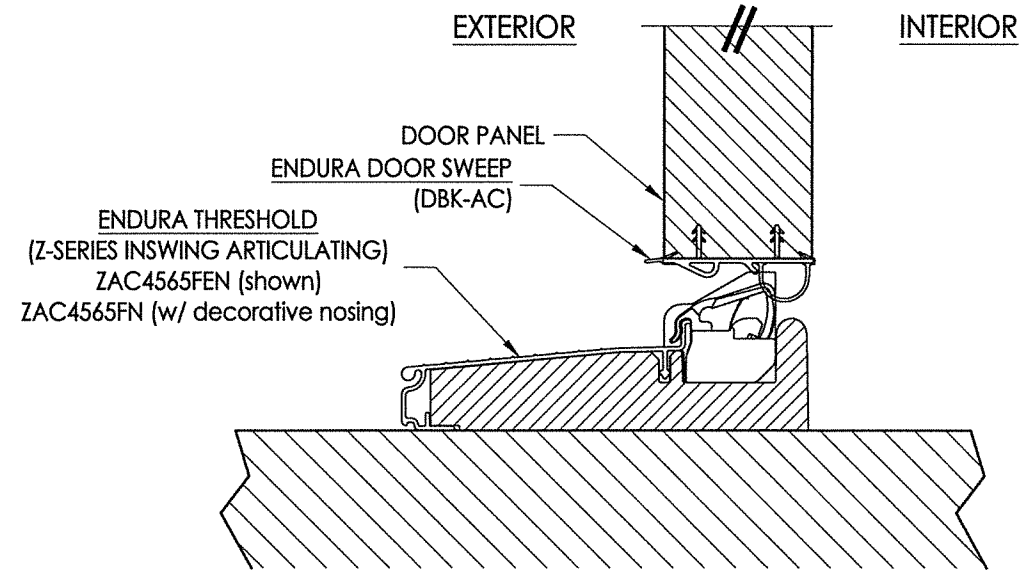
PRODUCT:	ENDURA	
PART OR ASSEMBLY:	HORIZONTAL CROSS SECTIONS	
NO.	DATE	BY
2	11/11/21	LFS
1	1/08/14	LFS
REVISIONS		
DATE:	9/06/12	
SCALE:	N.T.S.	
DWG. BY:	JK	
CHK. BY:	LFS	
DRAWING NO.:	TX-4222	
SHEET	4 OF 6	



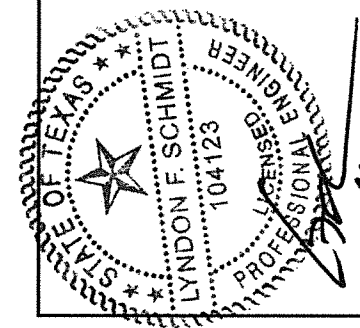
**1** VERTICAL CROSS SECTION  
**5** Outswing shown - inswing also approved



**2** VERTICAL CROSS SECTION  
**5** Inswing configuration



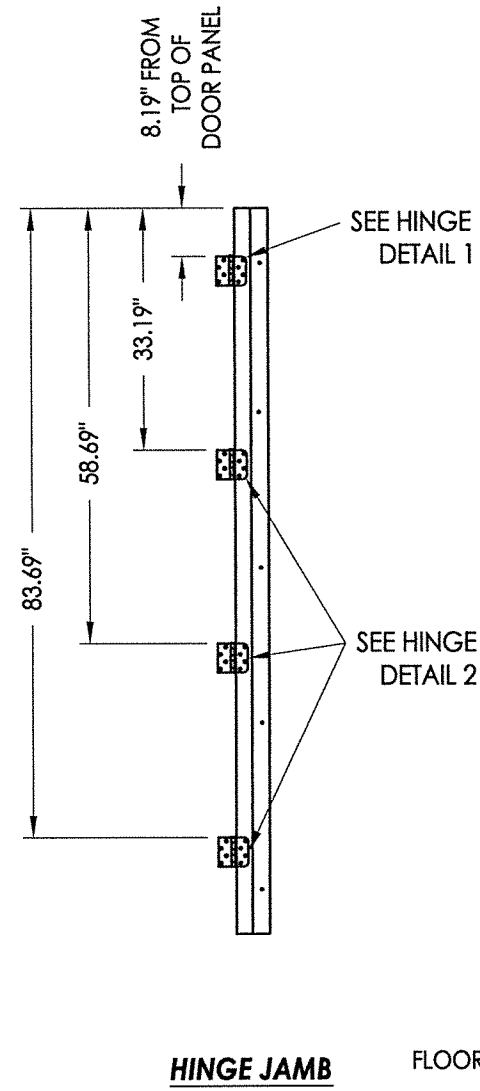
**3** VERTICAL CROSS SECTION  
**5** Inswing configuration



Documents Prepared By: Lyndon F. Schmidt, P.E.  
 TEXAS P.E. #104123

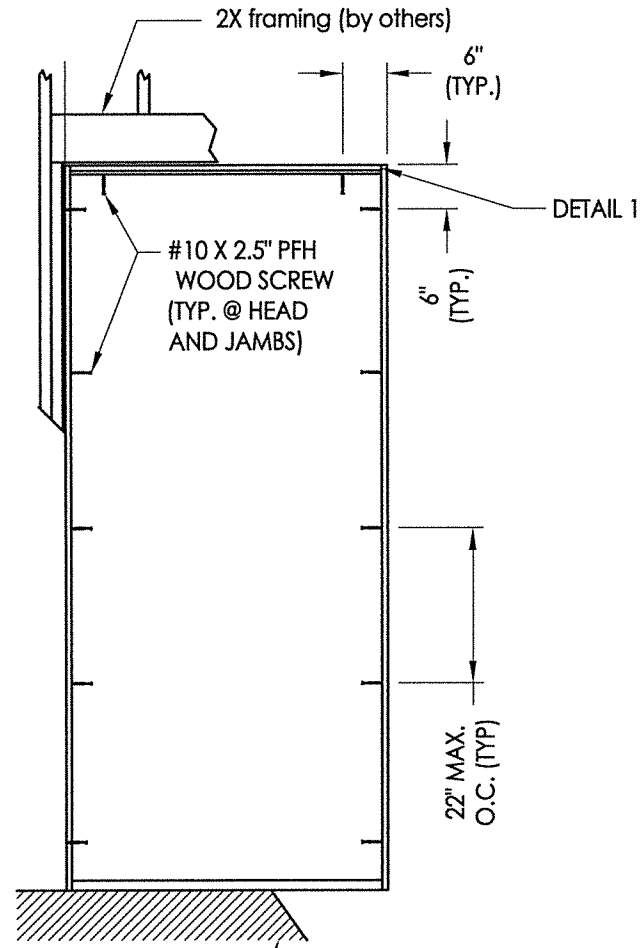
**RW** BUILDING CONSULTANTS, INC.  
 P.O. Box 230 Valrico FL, 33595  
 Phone No.: 813.659.9197  
 TEXAS BOARD OF PROFESSIONAL ENGINEERS  
 CERTIFICATE OF REGISTRATION # F-11852

PRODUCT:	ENDURA	
PART OR ASSEMBLY:	VERTICAL CROSS SECTIONS	
NO.	DATE	BY
2	11/11/21	LFS
1	1/08/14	LFS
REVISIONS		
DATE: 9/06/12		
SCALE: N.T.S.		
DWG. BY: JK		
CHK. BY: LFS		
DRAWING NO.: TX-4222		
SHEET 5 OF 6		

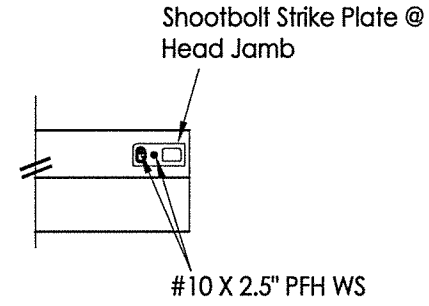


**HINGE JAMB**

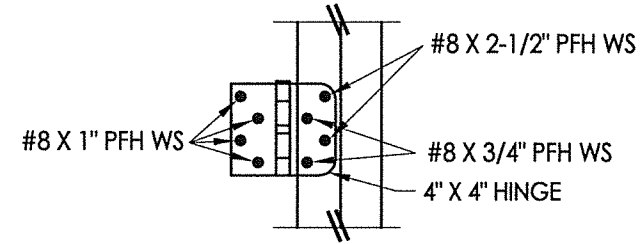
FLOOR SUBSTRATE MATERIAL (TYP.)  
 CONCRETE (MIN. 3000 PSI)  
 WOOD (G >= 0.42)



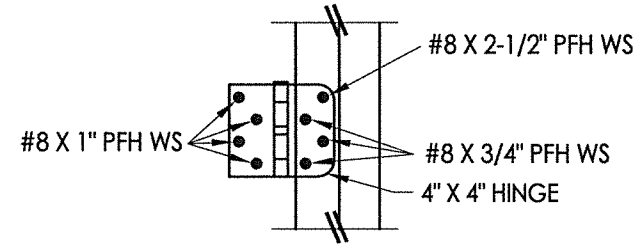
**DETAIL 1**



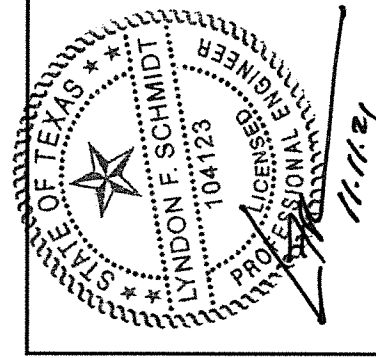
**DETAIL 1**



**HINGE DETAIL 1**



**HINGE DETAIL 2**



Documents Prepared By: Lyndon F. Schmidt, P.E.  
 TEXAS P.E. #104123

**RW** BUILDING CONSULTANTS, INC.  
 P.O. Box 230 Vairico FL. 33595  
 Phone No.: 813.659.9197

TEXAS BOARD OF PROFESSIONAL ENGINEERS  
 CERTIFICATE OF REGISTRATION # F-11852

PRODUCT:		ENDURA	
PART OR ASSEMBLY:		FRAME ANCHORING	
NO.	DATE	BY	REVISIONS
2	11/11/21	LFS	UPDATE TO 2018 IBC/IRC CODE
1	1/08/14	LFS	ADDED ARTICULATING SILL
DATE: 9/06/12			
SCALE: N.T.S.			
DWG. BY: JK			
CHK. BY: LFS			
DRAWING NO.: TX-4222			
SHEET 6 OF 6			