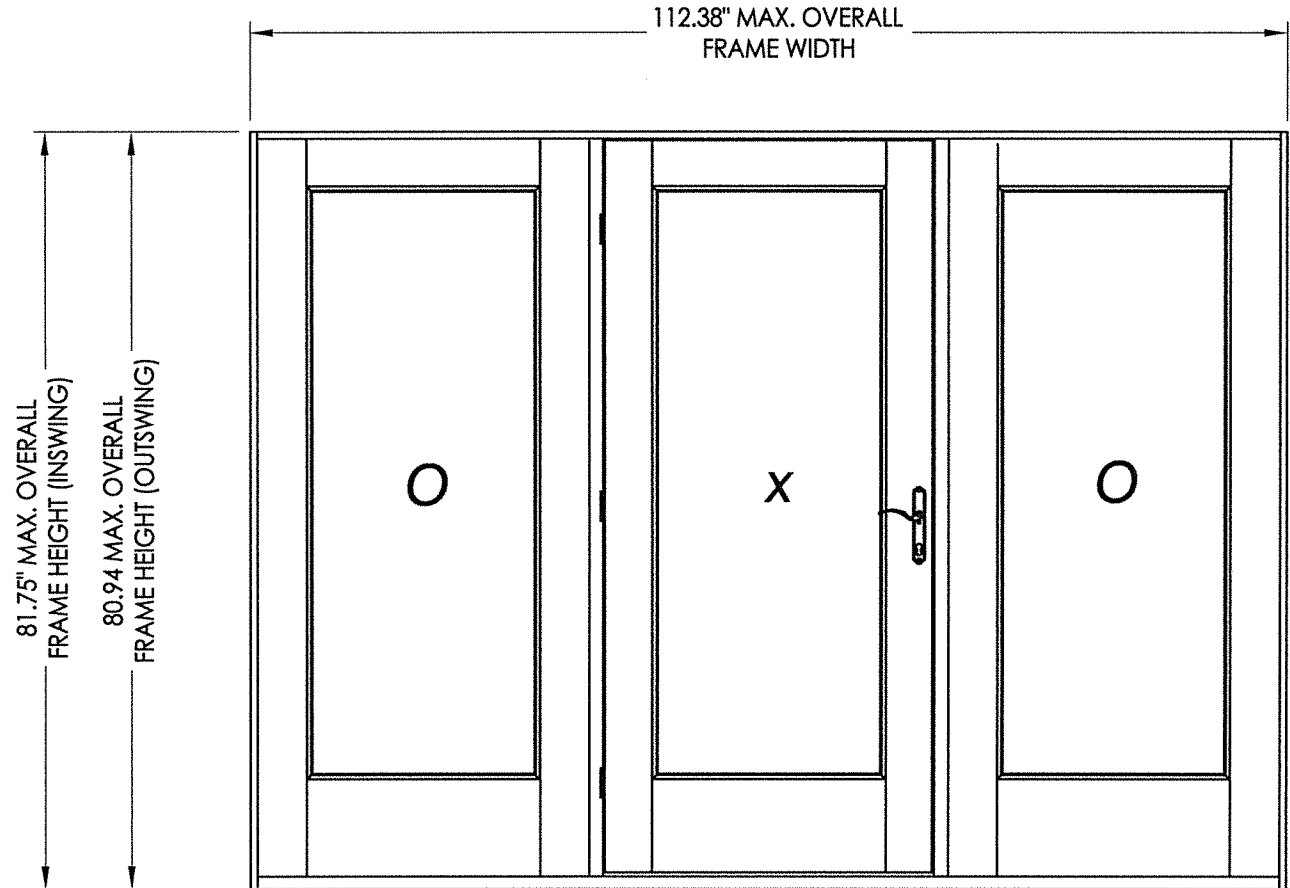


Glazed Fiberglass Door

"NON-IMPACT"
INSWING / OUTSWING



EVALUATED FOR USE IN THE STATE OF TEXAS

TDI DR-608

The Fiberglass Door system described herein complies with the 2018 International Residential Code (IRC), Sections R301 & R609 and the 2018 International Building Code (IBC), Sections 1404.13, 1609, 1709.5, 2403 and 2404 subject to the following conditions:

1. Anchors shall be as listed and spaced as shown in the details. Anchor embedment to base material shall be beyond wall dressing or stucco.
2. When used in areas requiring wind-borne debris protection this product is required to be protected with an impact resistant covering that complies with Section R301.2.1.2 of the IRC and Section 1609.1.2 of the IBC.
3. Allowable design pressure requirements must be equal to or less than the design pressure rating shown in the design pressure chart, sheet 1 of this drawing.
4. Conditions not covered by this drawing are subject to further engineering analysis.

TABLE OF CONTENTS

SHEET#	DESCRIPTION
1	Typical elevations, design pressures & general notes
2	Lock details (Hoppe HLS 9000)
3	Door/Sidelite panel details (Fiber Classic - flush glazing)
4	Door/Sidelite panel details (Smooth Star - flush glazing)
5	Horizontal cross sections
6	Vertical cross sections
7	Vertical cross sections
8	Frame anchoring

CONFIG.	MODEL	DESIGN PRESSURE (PSF) INSWING		DESIGN PRESSURE (PSF) OUTSWING	
		POSITIVE	NEGATIVE	POSITIVE	NEGATIVE
OXO	FIBER CLASSIC	+45.0	-45.0	+40.0	-40.0
	SMOOTH STAR	+30.0	-30.0	+40.0	-40.0

Documents Prepared By: Lyndon F. Schmidt, P.E. TEXAS P.E. #104123

11-11-21

RW BUILDING CONSULTANTS, INC.
P.O. Box 230 Vairico FL 33595
Phone No.: 813.659.9197

TEXAS BOARD OF PROFESSIONAL ENGINEERS
CERTIFICATE OF REGISTRATION # F-11852

PRODUCT: ENDURA

PART OR ASSEMBLY: TYPICAL ELEVATION, DESIGN PRESSURES & GENERAL NOTES

NO.	DATE	REVISIONS
2	11/11/21	UPDATE TO 2018 IBC/IRC CODE
1	1/08/14	ADDED ARTICULATING SILL

DATE: 9/06/12

SCALE: N.T.S.

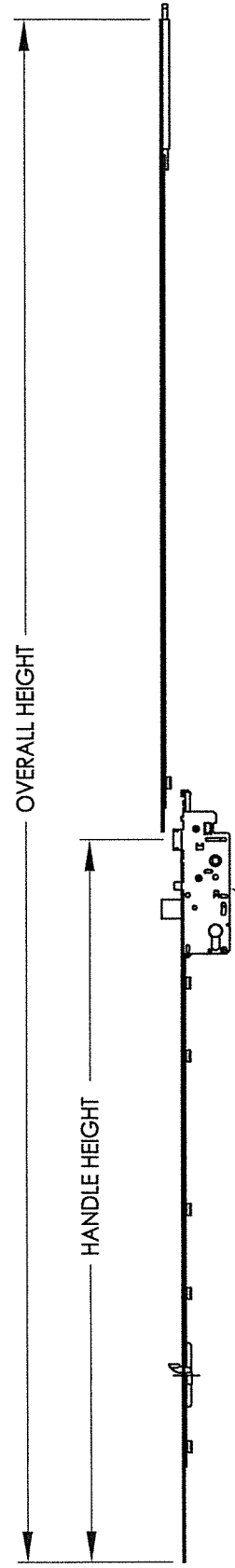
DWG. BY: JK

CHK. BY: LFS

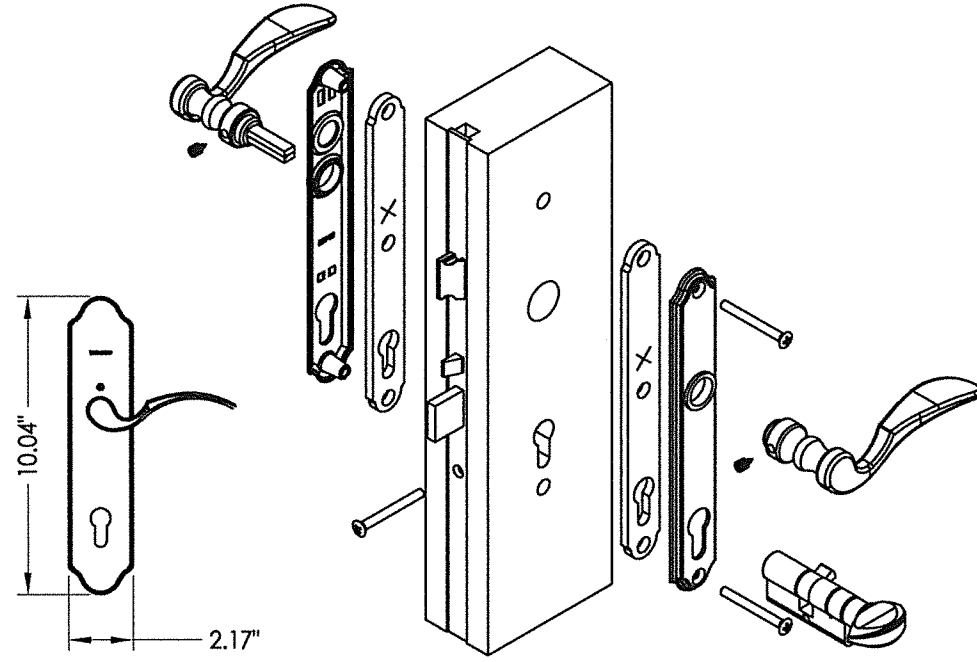
DRAWING NO.: TX-4218

SHEET 1 OF 8

MANUAL TONGUE/SHOOTBOLT GEAR SYSTEM

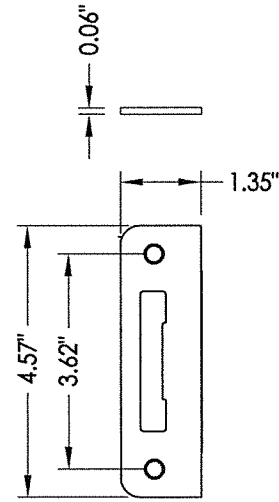


HOPPE MULTI-POINT LOCKSET

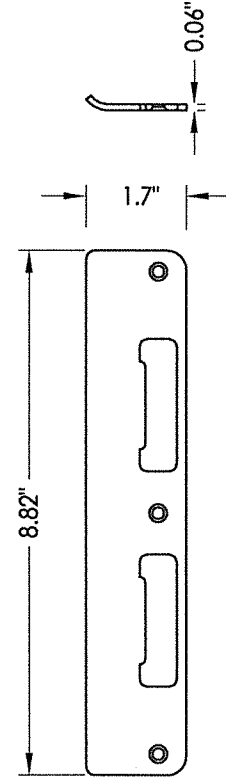


HOPPE MULTI-POINT LOCKSET
Manual Tongue/Shootbolt

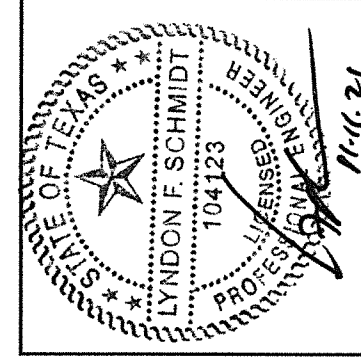
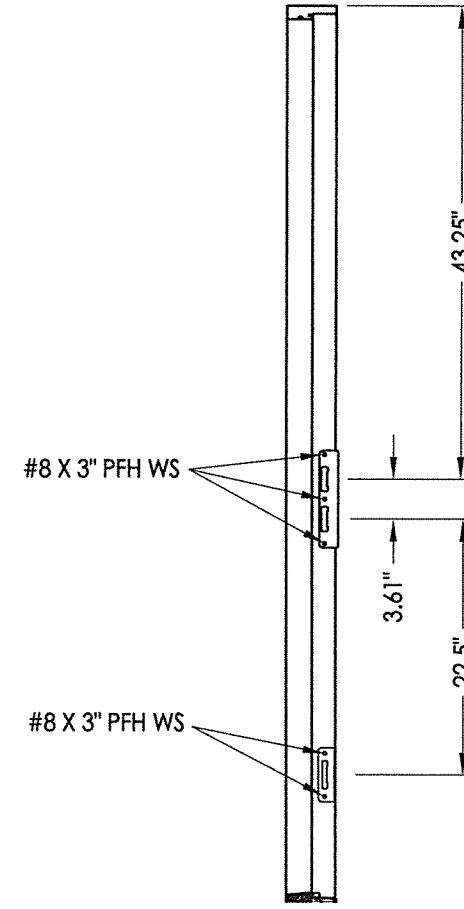
MULTI-POINT STRIKE PLATE



LATCH & DEADBOLT STRIKE PLATE



STRIKE JAMB



Documents Prepared By: Lyndon F. Schmidt, P.E.
TEXAS P.E. #104123

RW BUILDING CONSULTANTS, INC.
P.O. Box 230 Valrico FL 33595
Phone No.: 813.659.9197
TEXAS BOARD OF PROFESSIONAL ENGINEERS
CERTIFICATE OF REGISTRATION # F-11852

PRODUCT:	ENDURA
PART OR ASSEMBLY:	LOCK DETAILS (HOPPE HLS 9000)

REVISIONS	
NO.	DATE
2	11/11/21
1	1/08/14

DATE: 9/06/12

SCALE: N.T.S.

DWG. BY: JK

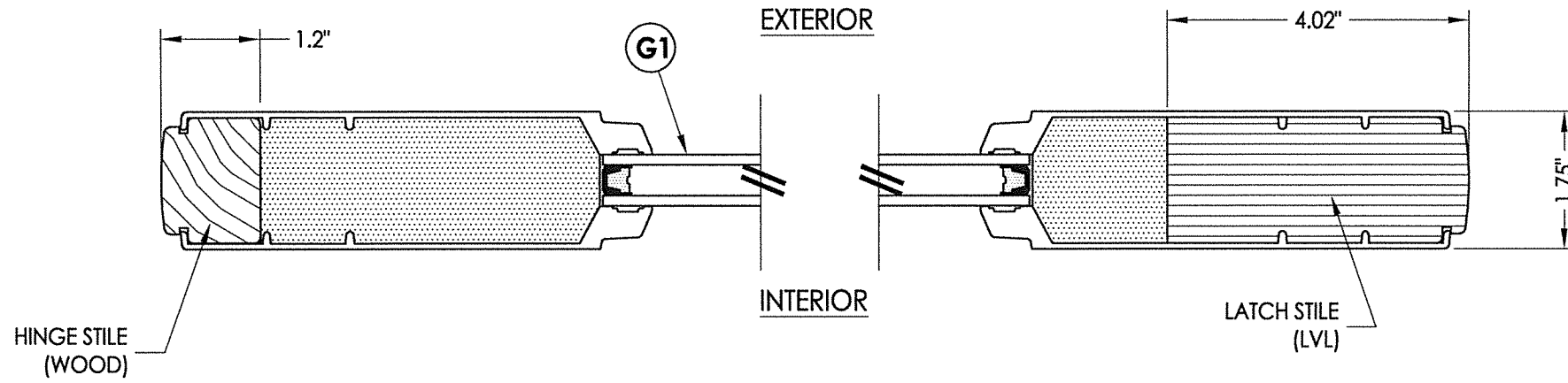
CHK. BY: LFS

DRAWING NO.:

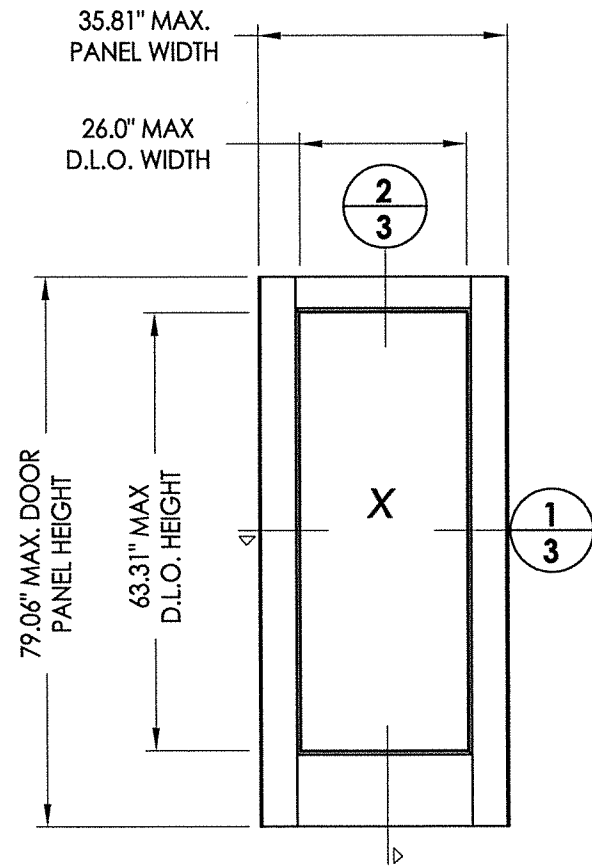
TX-4218

SHEET 2 OF 8

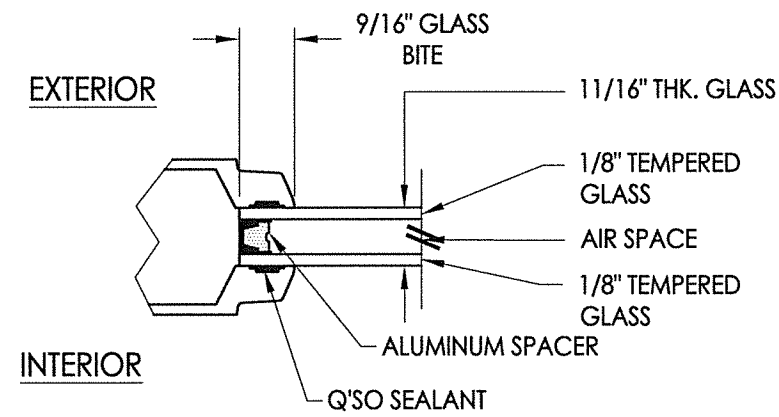
Z:\Clients\Endura PERMANENT B - Texas Dept of Ins\TDI - DR-608 Therma-Tru Flush Glazed\Drawings\TX-4218-19, 22.dwg



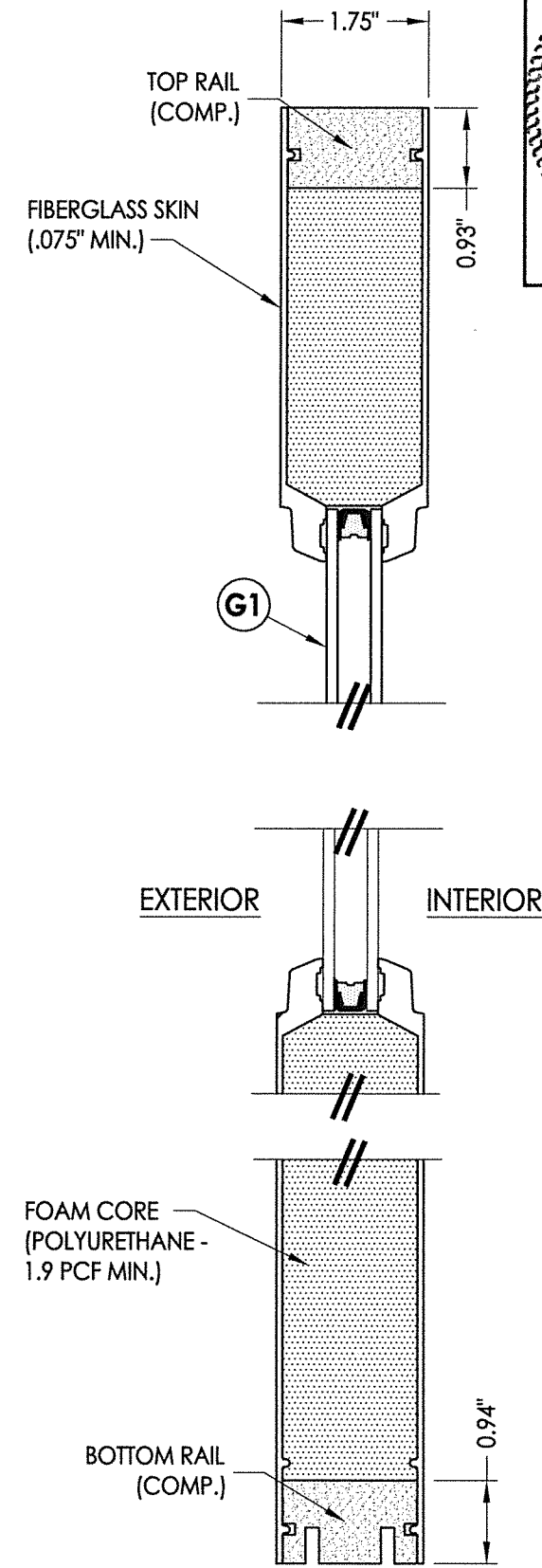
1
3 HORIZONTAL CROSS SECTION



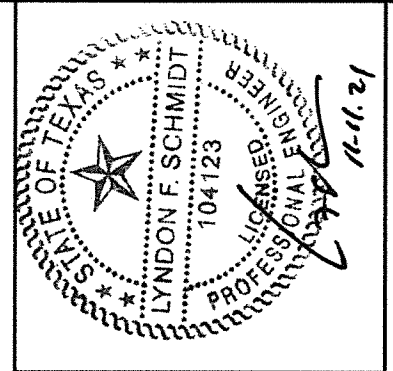
THERMA TRU - Fiber Classic Panel
Flush glazed
(fiberglass)



G1 GLAZING DETAIL



2
3 VERTICAL CROSS SECTION



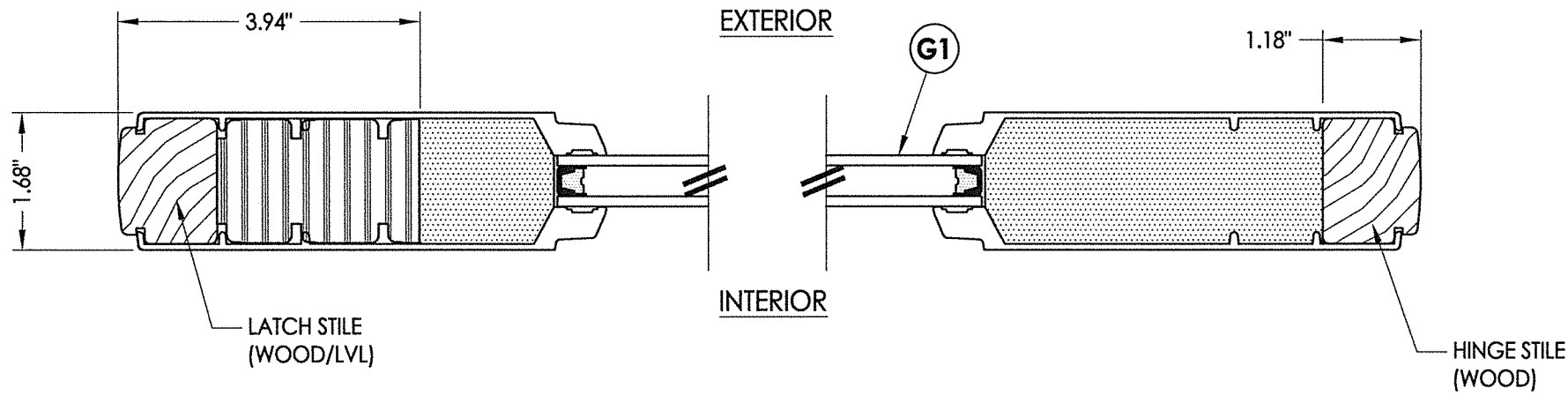
Documents Prepared By: Lyndon F. Schmidt, P.E.
TEXAS P.E. #104123

RW BUILDING CONSULTANTS, INC.
P.O. Box 230 Vairico FL 33595
Phone No.: 813.659.9197

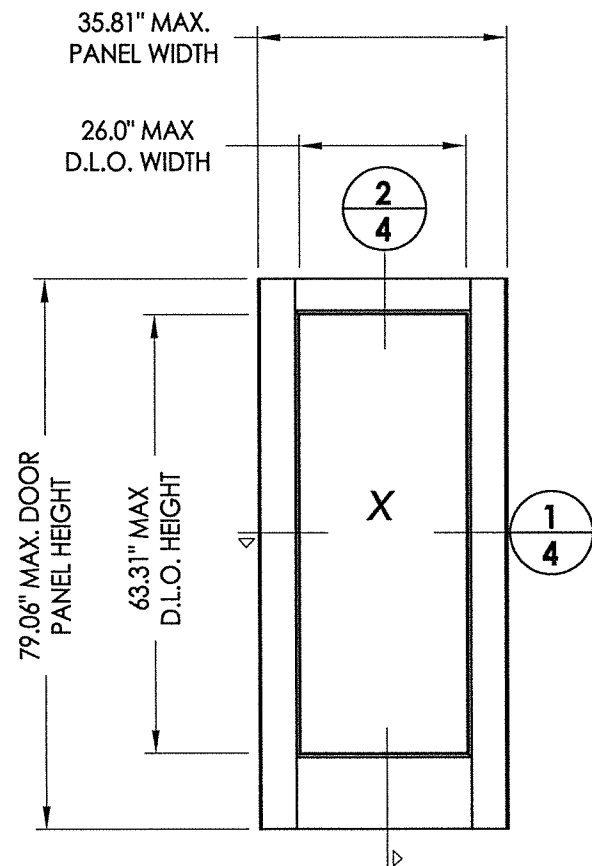
TEXAS BOARD OF PROFESSIONAL ENGINEERS
CERTIFICATE OF REGISTRATION # F-11852

PRODUCT:	ENDURA	
PART OR ASSEMBLY:	DOOR/SIDELITE PANEL DETAILS (FIBER CLASSIC - FLUSH GLAZED)	
NO.	DATE	BY
2	11/11/21	LFS
1	1/08/14	LFS
REVISIONS		
DATE: 9/06/12		
SCALE: N.T.S.		
DWG. BY: JK		
CHK. BY: LFS		
DRAWING NO.: TX-4218		
SHEET 3 OF 8		

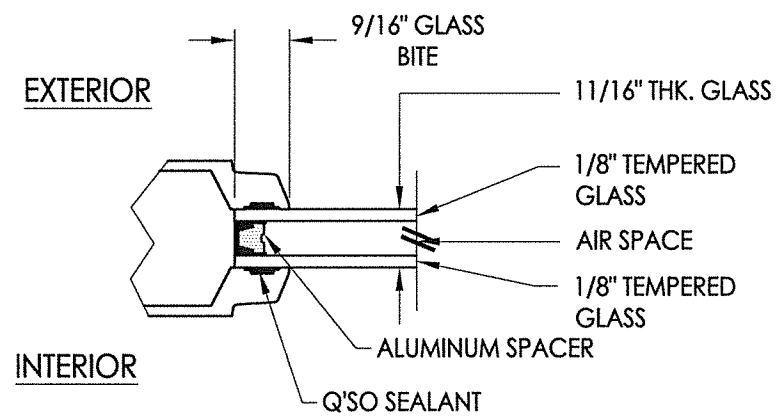
Z:\Clients\Endura PERMANENT B - Texas Dept of Ins\TDI - DR-608 Therma-Tru Flush Glazed Drawings\TX-4218-19_22.dwg



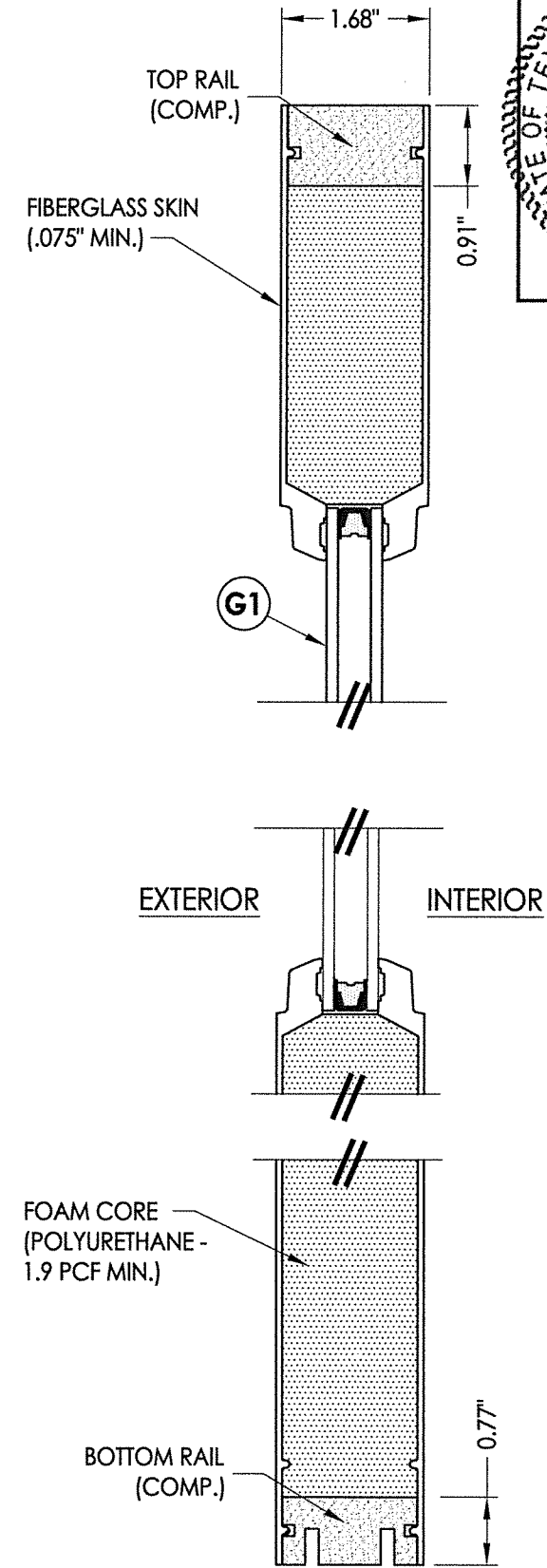
1
4 HORIZONTAL CROSS SECTION



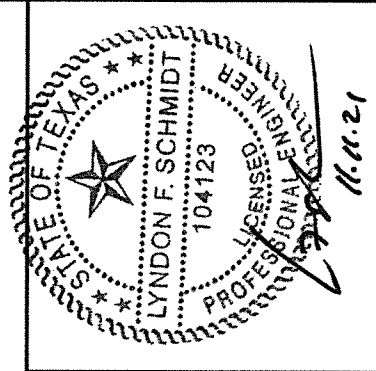
THERMA TRU - Smooth Star Panel
Flush glazed
(fiberglass)



G1 GLAZING DETAIL



2
4 VERTICAL CROSS SECTION



Documents Prepared By: Lyndon F. Schmidt, P.E.
TEXAS P.E. #104123

RW BUILDING CONSULTANTS, INC.
P.O. Box 230 Valrico FL, 33595
Phone No.: 813.659.9197

TEXAS BOARD OF PROFESSIONAL ENGINEERS
CERTIFICATE OF REGISTRATION # F-11852

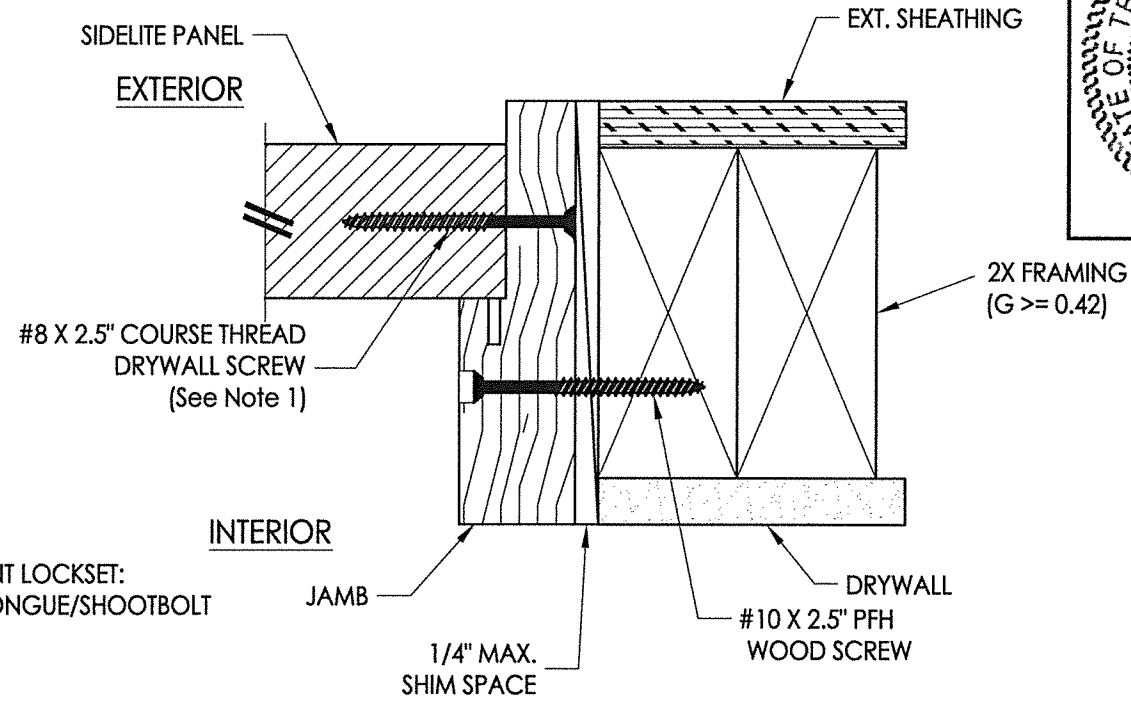
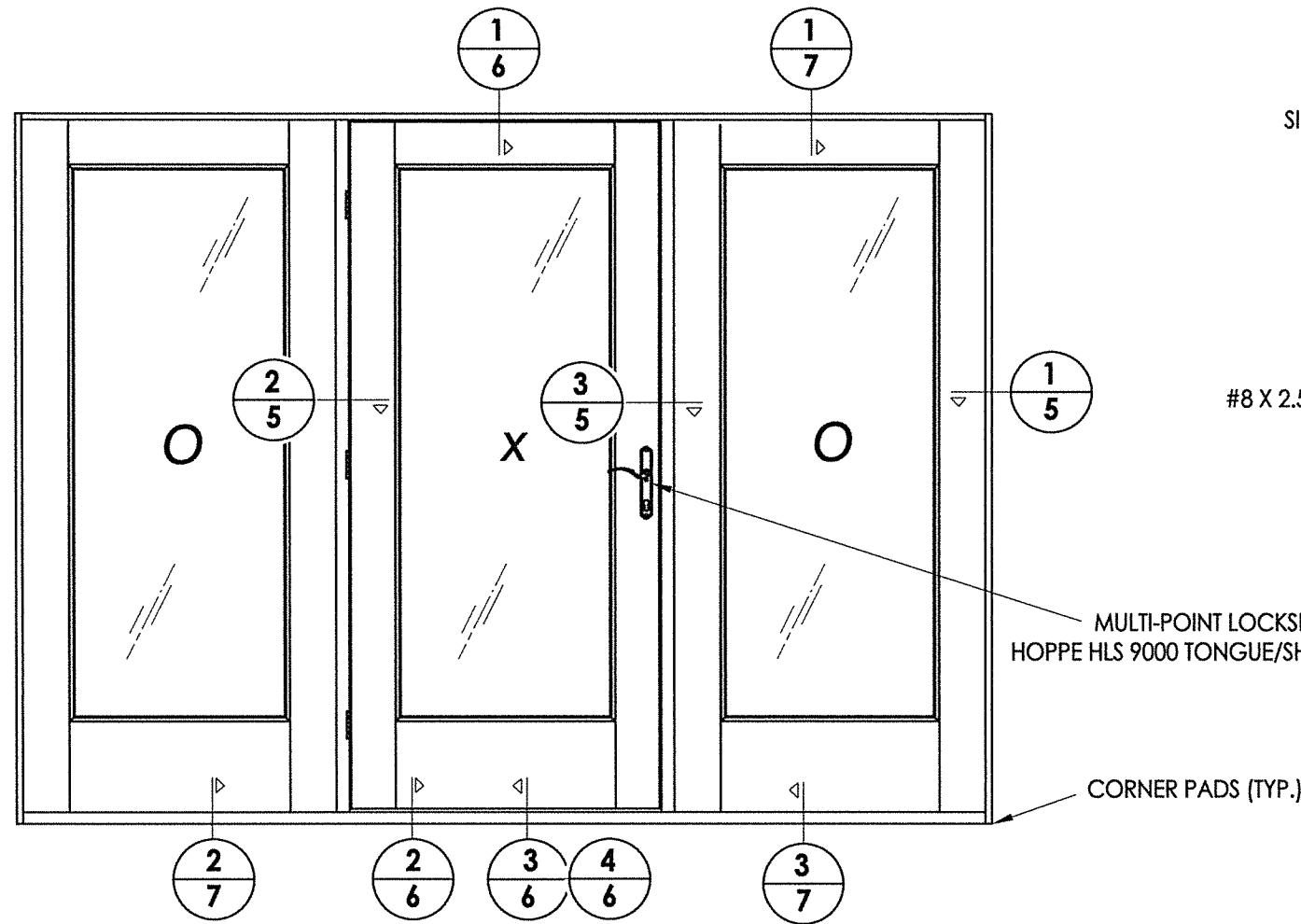
PRODUCT: ENDURA

PART OR ASSEMBLY:
DOOR/SIDELITE PANEL DETAILS
(SMOOTH STAR - FLUSH GLAZED)

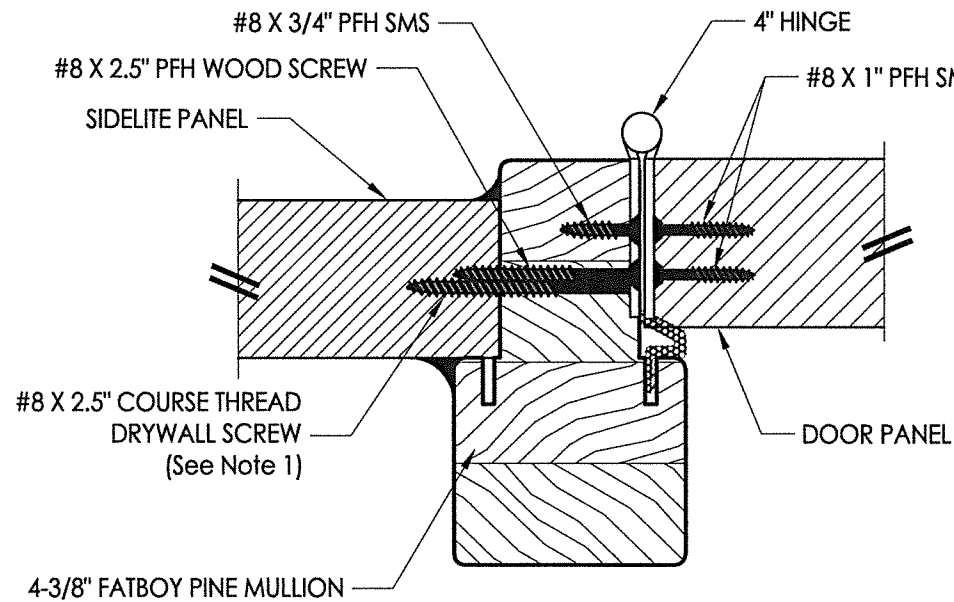
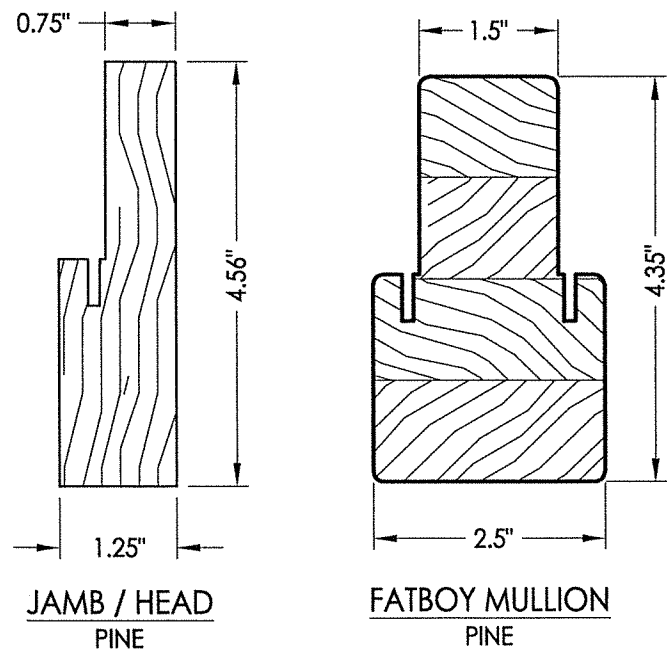
REVISIONS	
NO.	DATE
2	11/11/21
1	1/08/14

DATE: 9/06/12
SCALE: N.T.S.
DWG. BY: JK
CHK. BY: LFS
DRAWING NO.: TX-4218
SHEET 4 OF 8

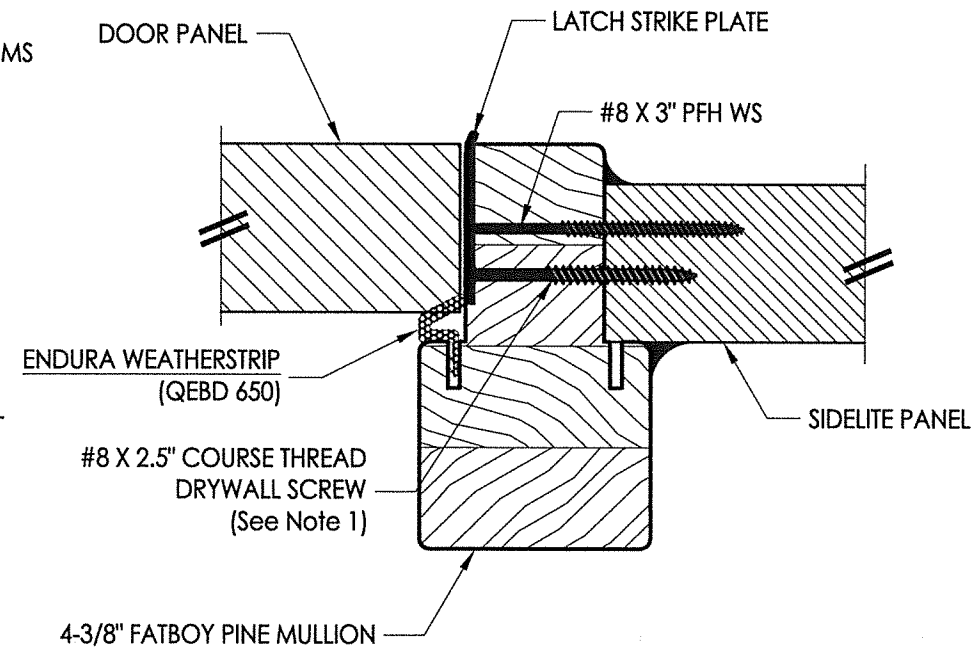
Z:\Clients\Endura PERMANENTB - Texas Dept of Ins\TDI - DR-608 Therma-Tru Flush Glazed\Drawings\TX-4218-19, 22.dwg



1 **HORIZONTAL CROSS SECTION**
Outswing shown - Inswing also approved

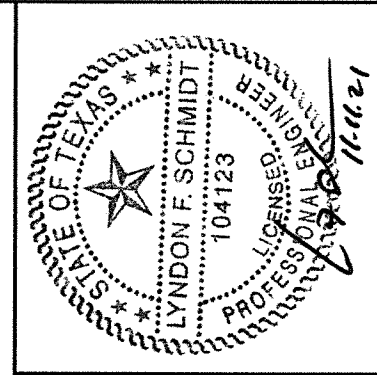


2 **HORIZONTAL CROSS SECTION**
Outswing shown - Inswing also approved



3 **HORIZONTAL CROSS SECTION**
Outswing shown - Inswing also approved

NOTE:
1. Spacing for sidelite screws: 6.5", 38.5" and 69" from head to sill (3 total).



Documents Prepared By: Lyndon F. Schmidt, P.E.
TEXAS P.E. #104123

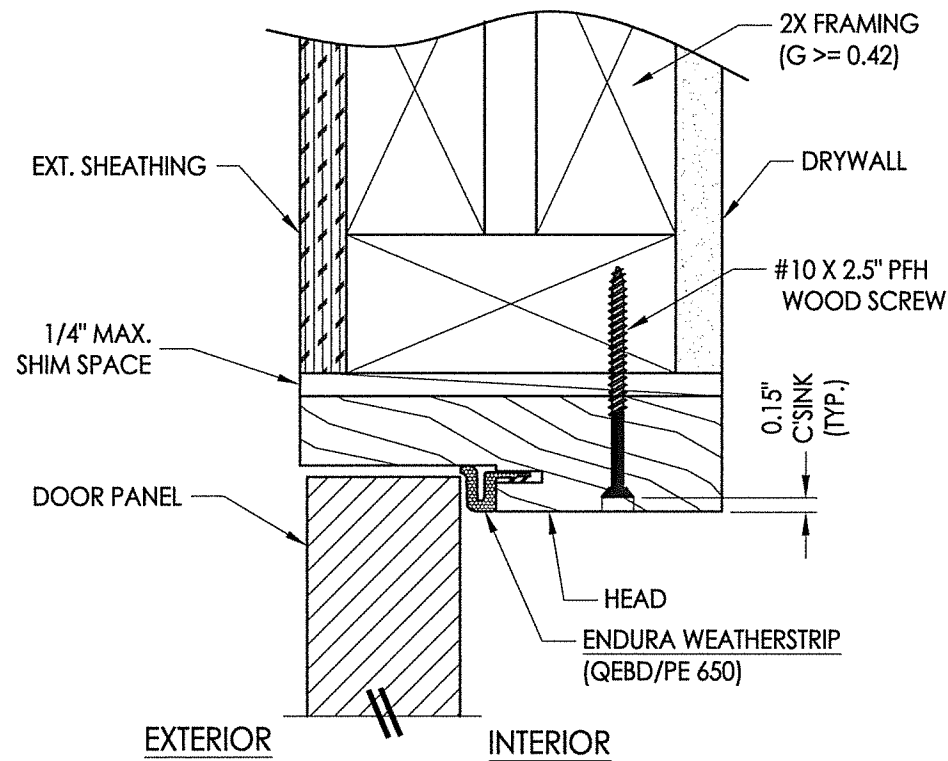
RW BUILDING CONSULTANTS, INC.
P.O. Box 230 Vairico FL 33595
Phone No.: 813.659.9197
TEXAS BOARD OF PROFESSIONAL ENGINEERS
CERTIFICATE OF REGISTRATION # F-11852

PRODUCT:	ENDURA
PART OR ASSEMBLY:	Steel DOOR
HORIZONTAL CROSS SECTIONS	

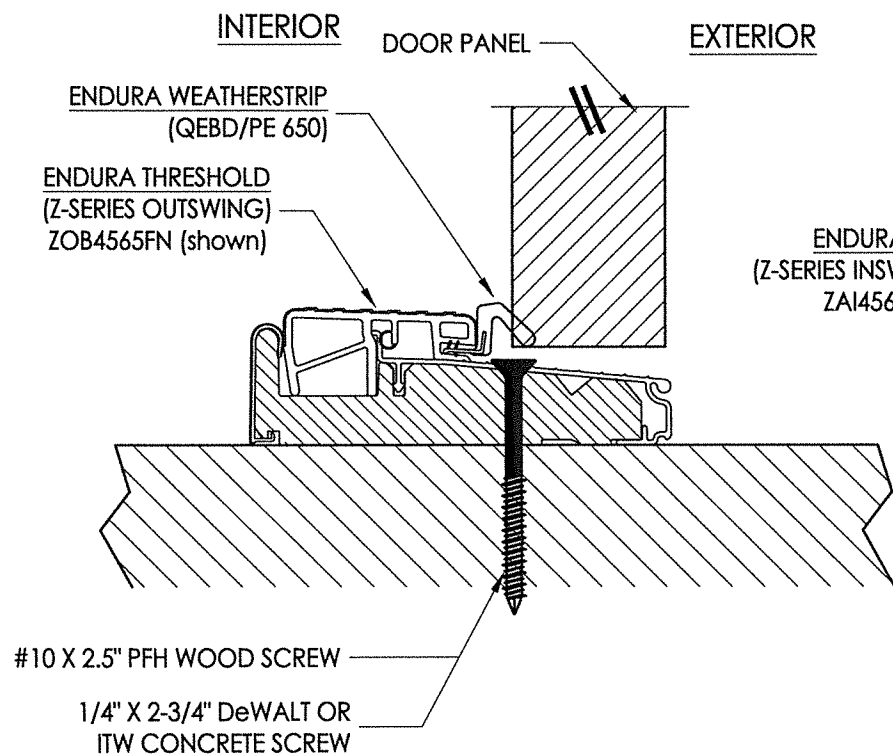
NO.	DATE	BY	REVISIONS
2	11/11/21	LFS	UPDATE TO 2018 IBC/IRC CODE
1	1/08/14	LFS	ADDED ARTICULATING SILL

DATE:	9/06/12
SCALE:	N.T.S.
DWG. BY:	JK
CHK. BY:	LFS
DRAWING NO.:	TX-4218
SHEET	5 OF 8

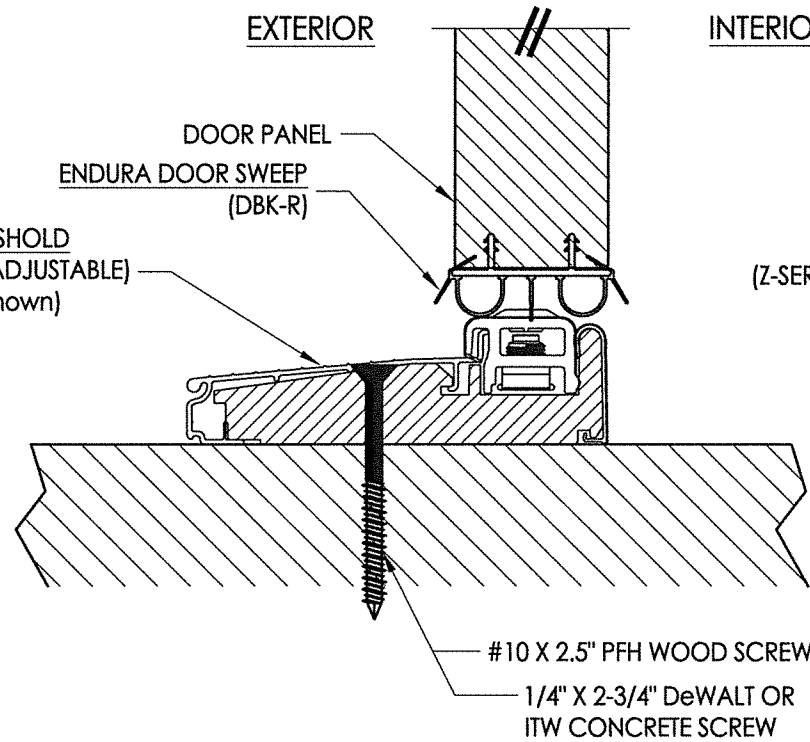
Z:\Clients\Endura PERMANENT\B - Texas Dept of Ins\TDI - DR-608 Therma-Tru Flush Glazed\Drawings\TX-4218-19, 22.dwg



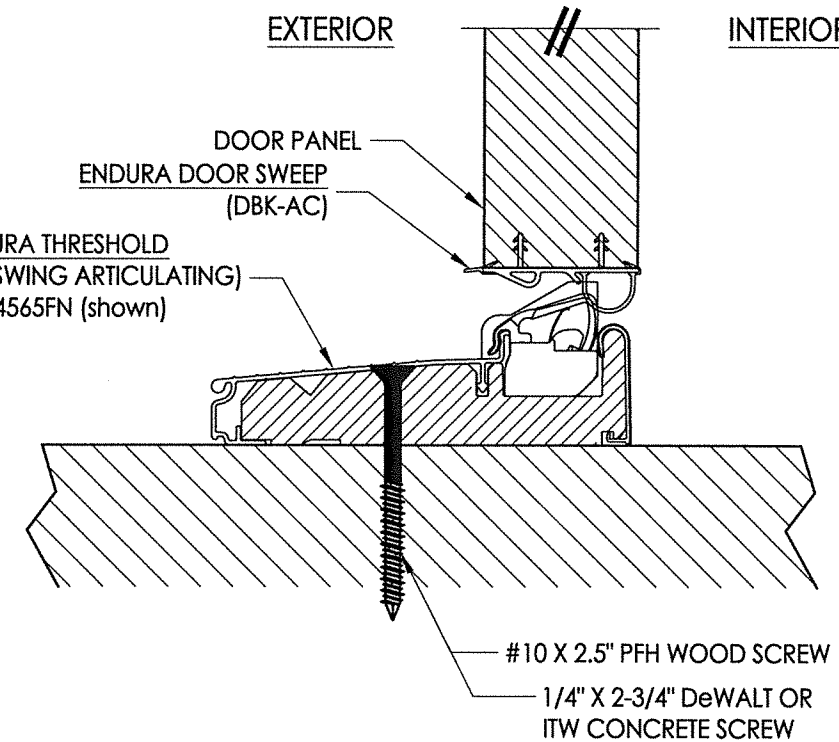
1 VERTICAL CROSS SECTION
 6 Outswing shown - inswing also approved



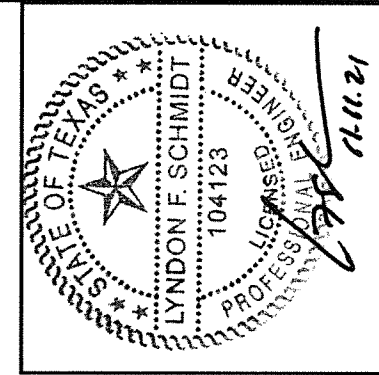
2 VERTICAL CROSS SECTION
 6 Outswing shown



3 VERTICAL CROSS SECTION
 6 Inswing configuration



4 VERTICAL CROSS SECTION
 6 Inswing configuration



Documents Prepared By: Lyndon F. Schmidt, P.E.
 TEXAS P.E. #104123

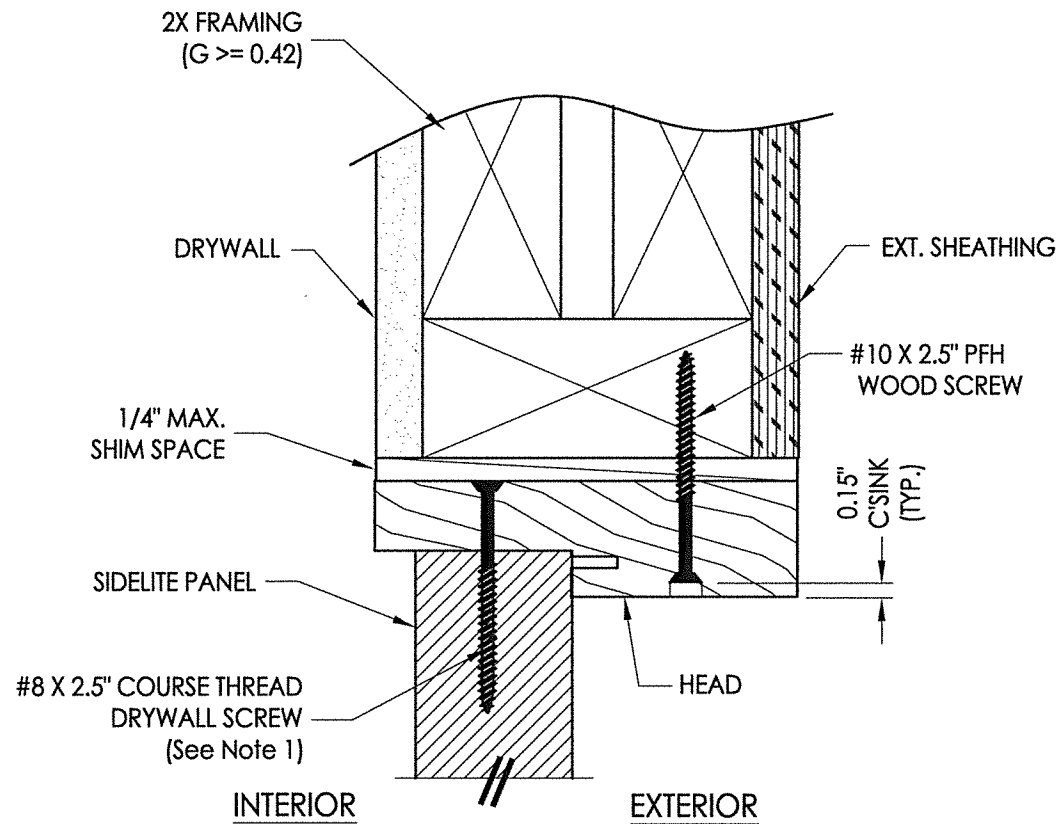
RW BUILDING CONSULTANTS, INC.
 P.O. Box 230 Valrico FL 33595
 Phone No.: 813.659.9197
 TEXAS BOARD OF PROFESSIONAL ENGINEERS
 CERTIFICATE OF REGISTRATION # F-11852

PRODUCT:	ENDURA
PART OR ASSEMBLY:	VERTICAL CROSS SECTIONS

NO.	DATE	BY	REVISIONS
2	11/11/21	LFS	UPDATE TO 2018 IBC/IRC CODE
1	1/08/14	LFS	ADDED ARTICULATING SILL

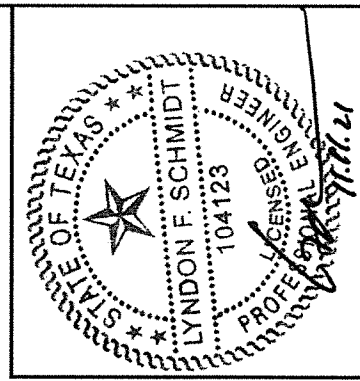
DATE:	9/06/12
SCALE:	N.T.S.
DWG. BY:	JK
CHK. BY:	LFS
DRAWING NO.:	TX-4218
SHEET	6 OF 8

Z:\Clients\Endura PERMANENT\B - Texas Dept of Ins\TDI - DR-608 Therma-Tru Flush Glazed\Drawings\TX-4218-19, 22.dwg



1 VERTICAL CROSS SECTION
7 Inswing shown - Outswing also approved

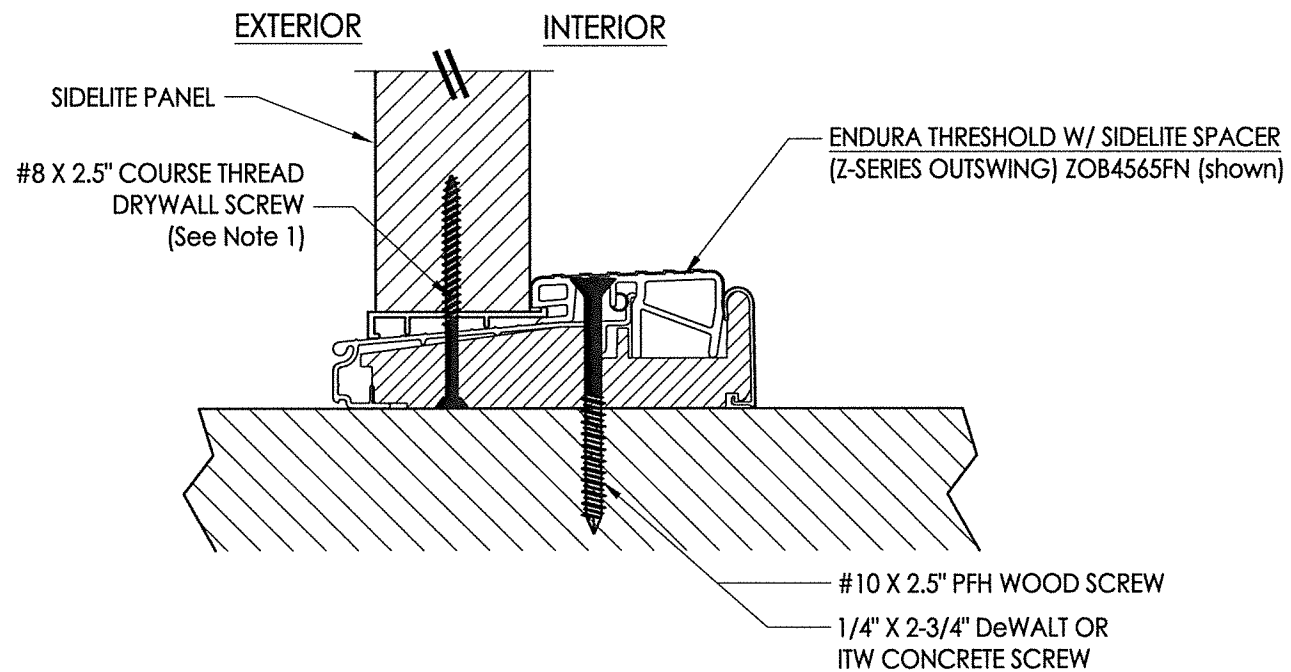
NOTE:
 1. Spacing for sidelite screws:
 6" from each end (2 total).



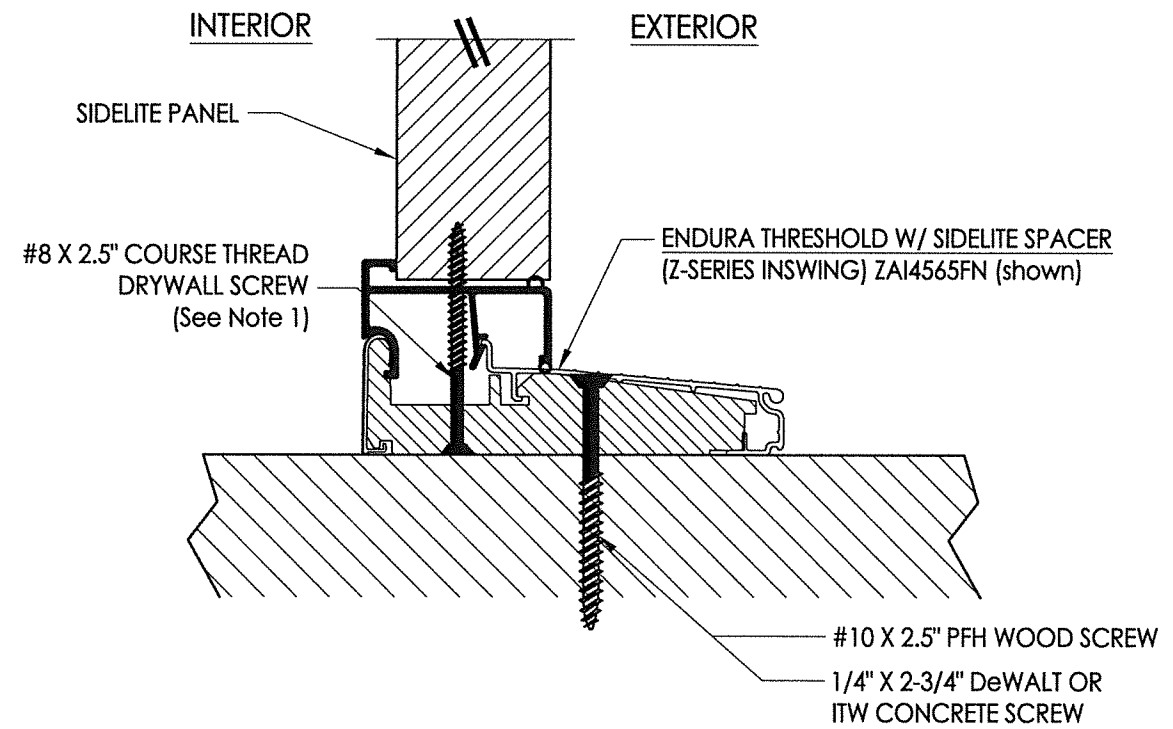
Documents Prepared By: Lyndon F. Schmidt, P.E.
 TEXAS P.E. #104123

RW BUILDING CONSULTANTS, INC.
 P.O. Box 230 Valrico FL 33595
 Phone No.: 813.659.9197

TEXAS BOARD OF PROFESSIONAL ENGINEERS
 CERTIFICATE OF REGISTRATION # F-11852

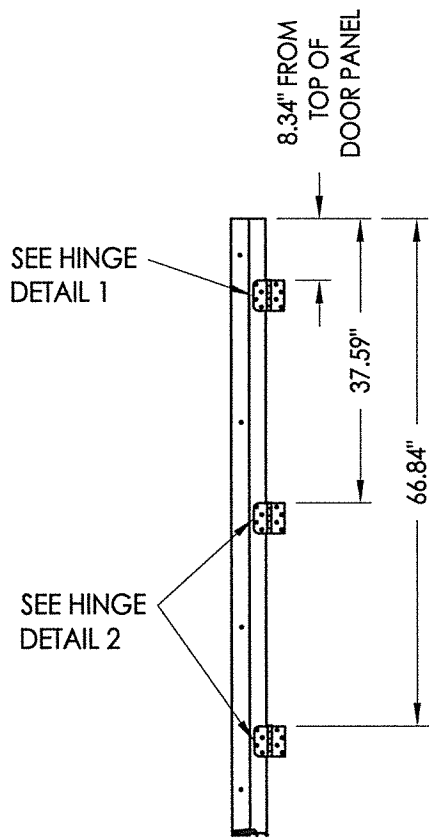


2 VERTICAL CROSS SECTION
7 Outswing configuration

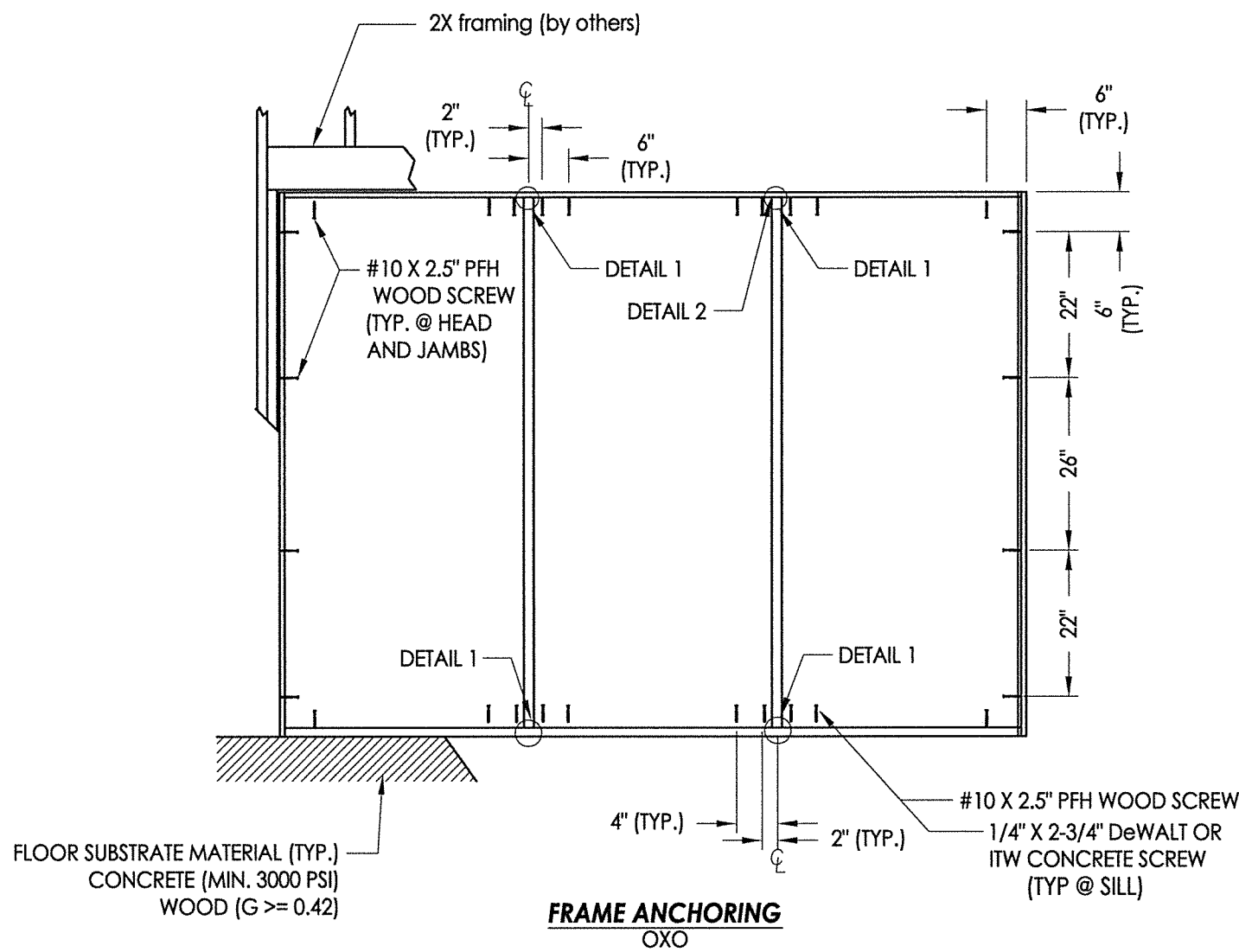


3 VERTICAL CROSS SECTION
7 Inswing configuration

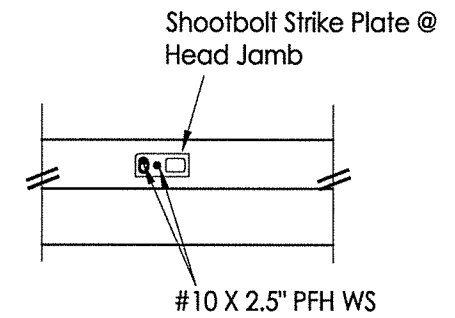
PRODUCT:	ENDURA	
PART OR ASSEMBLY:	Steel DOOR	
REVISIONS	VERTICAL CROSS SECTIONS	
NO.	DATE	BY
2	11/11/21	LFS
1	1/08/14	LFS
DATE		
DATE:	9/06/12	
SCALE:	N.T.S.	
DWG. BY:	JK	
CHK. BY:	LFS	
DRAWING NO.:	TX-4218	
SHEET	7	OF 8



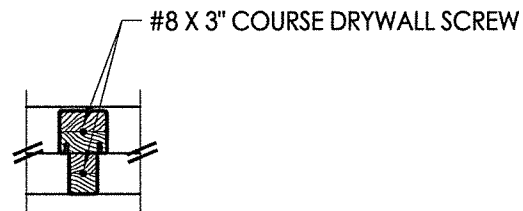
HINGE JAMB



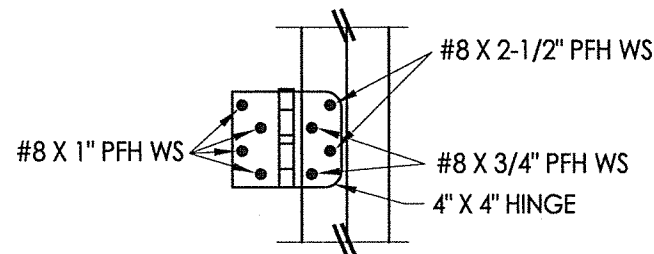
FRAME ANCHORING
OXO



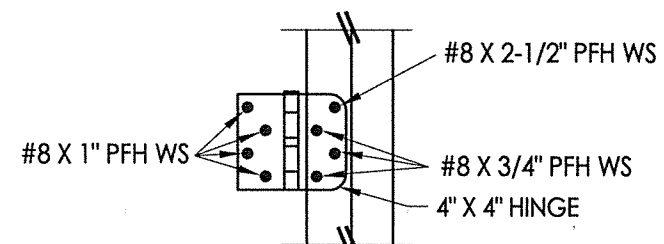
DETAIL 2



DETAIL 1
Integral mullion attachment



HINGE DETAIL 1

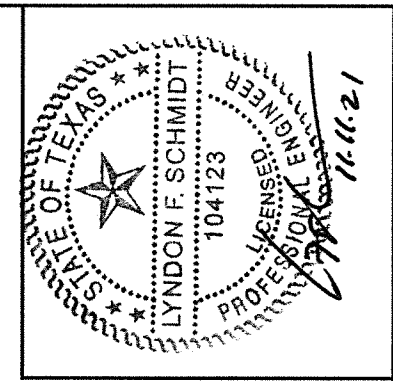


HINGE DETAIL 2

CONCRETE ANCHOR NOTES:

1. Concrete anchor locations at the corners may be adjusted to maintain the min. edge distance to mortar joints.
2. Concrete anchor locations noted as "MAX. ON CENTER" must be adjusted to maintain the min. edge distance to mortar joints, additional concrete anchors may be required to ensure the "MAX. ON CENTER" dimension are not exceeded.
3. Concrete anchor table:

ANCHOR TYPE	ANCHOR SIZE	MIN. EMBEDMENT	MIN. CLEARANCE TO MASONRY EDGE	MIN. CLEARANCE TO ADJACENT ANCHOR
ITW TAPCON®	1/4"	1-3/4"	2-1/2"	3"
DeWALT ULTRACON®	1/4"	1-3/4"	1"	3"



Documents Prepared By: Lyndon F. Schmidt, P.E.
TEXAS P.E. #104123

RW BUILDING CONSULTANTS, INC.
P.O. Box 230 Valrico FL, 33595
Phone No.: 813.659.9197

TEXAS BOARD OF PROFESSIONAL ENGINEERS
CERTIFICATE OF REGISTRATION # F-11852

PRODUCT: ENDURA

PART OR ASSEMBLY: FRAME ANCHORING

NO.	DATE	REVISIONS
2	11/11/21	UPDATE TO 2018 IBC/IRC CODE
1	1/08/14	ADDED ARTICULATING SILL
		LFS BY

DATE: 9/06/12

SCALE: N.T.S.

DWG. BY: JK

CHK. BY: LFS

DRAWING NO.: TX-4218

SHEET 8 OF 8