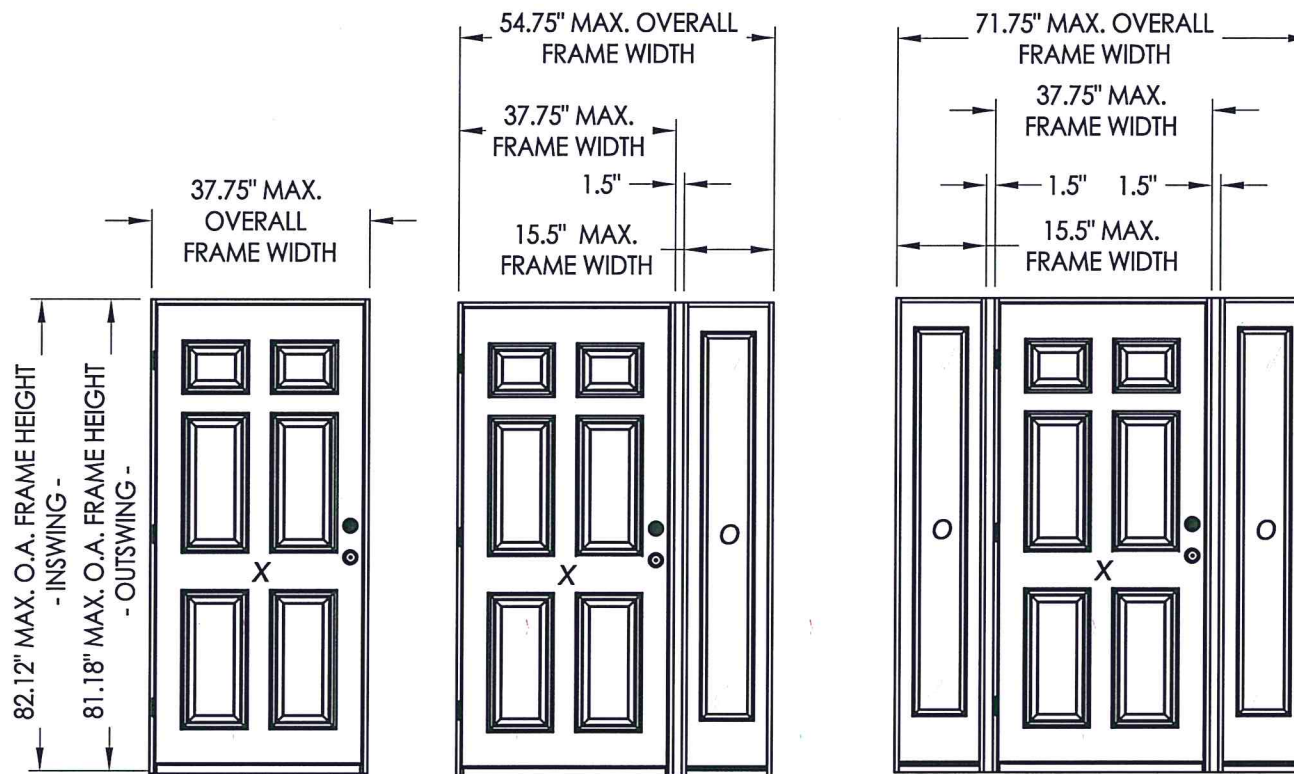




"Profiles" Series

Opaque "Impact" Steel Door w/ or w/o "Non-Impact" Sidelites

IN SWING / OUT SWING



EVALUATED FOR USE IN THE STATE OF TEXAS

The Steel Door system described herein complies with the 2018 International Residential Code (IRC), Sections R301 & R609 and the 2018 International Building Code (IBC), Sections 1404.13, 1609, 1709.5, 2403 and 2404 subject to the following conditions:

1. Anchors shall be as listed and spaced as shown in the details. Anchor embedment to base material shall be beyond wall dressing or stucco.
2. When used in areas requiring wind-borne debris protection, the opaque door does not require impact protection while the sidelites are required to be protected with an impact resistant covering that complies with Section R301.2.1.2 of the IRC and Section 1609.2 of the IBC.
3. Allowable design pressure requirements must be equal to or less than the design pressure rating shown in the design pressure chart, sheet 1 of this drawing.
4. Conditions not covered by this drawing are subject to further engineering analysis.

TABLE OF CONTENTS

SHEET #	DESCRIPTION
1	Typical elevations, design pressures & general notes
2	Door panel details
3	Sidelite panel details and glazing detail
4	Elevations
5	Horizontal cross section
6	Vertical cross sections
7	Vertical cross sections
8	Frame anchoring
9	Frame anchoring
10	Bill of materials and components

CONFIGURATION	MAX. FRAME DIMENSION	MAX. D.L.O. DIMENSION	SWING	DESIGN PRESSURE (PSF)	
				POSITIVE	NEGATIVE
X	37.75" x 82.12"	N/A	IN SWING	+55.0	-60.0
	37.75" x 81.18"		OUT SWING	+55.0	-55.0
OX or XO	54.75" x 82.12"	6.0" x 63.0"	IN SWING	+55.0	-60.0
	54.75" x 81.18"		OUT SWING	+55.0	-55.0
OXO	71.75" x 82.12"	6.0" x 63.0"	IN SWING	+55.0	-60.0
	71.75" x 81.18"		OUT SWING	+55.0	-55.0

Documents Prepared By: Lyndon F. Schmidt, P.E.
TEXAS P.E. #104123

RW BUILDING CONSULTANTS, INC.
P.O. Box 230 Valrico FL, 33595
Phone No.: 813.659.9197

TEXAS BOARD OF PROFESSIONAL ENGINEERS
CERTIFICATE OF REGISTRATION # F-11852

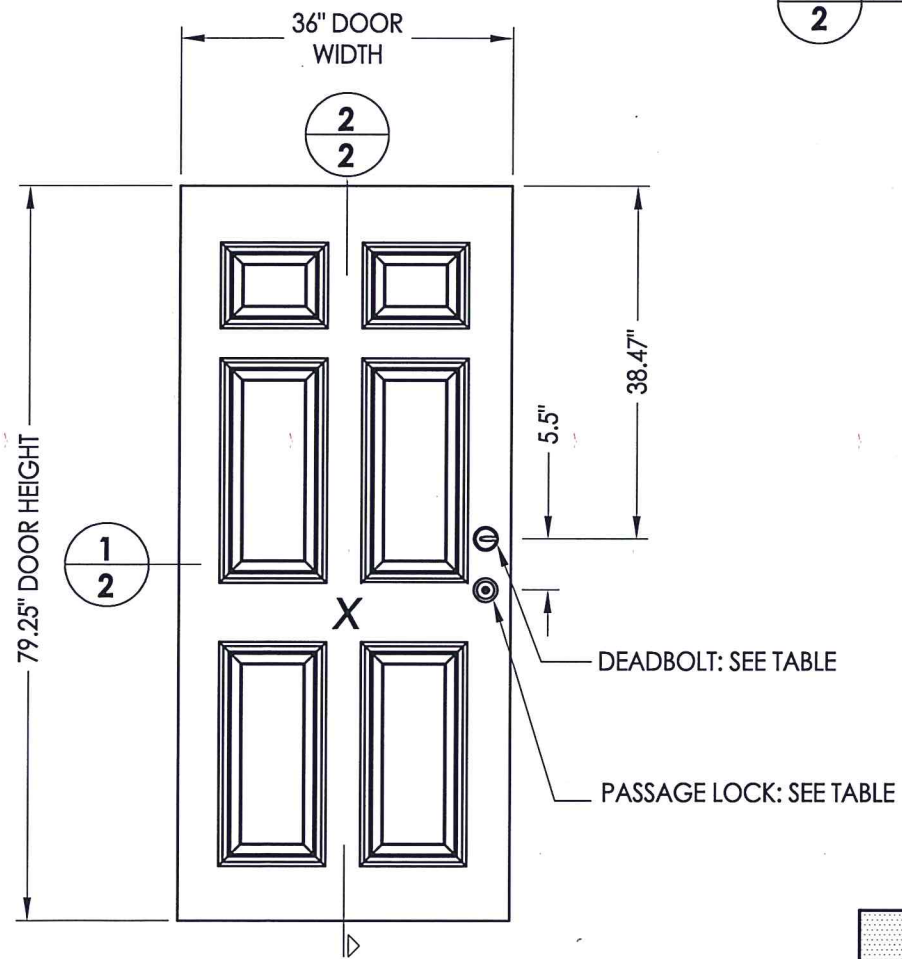
4-27-20

PRODUCT: THERMA-TRU STEEL DOOR

PART OR ASSEMBLY: TYPICAL ELEVATION, DESIGN PRESSURES & GENERAL NOTES

NO.	DATE	REVISIONS
1	4/27/20	UPDATE TO 2018 IBC/IRC CODE

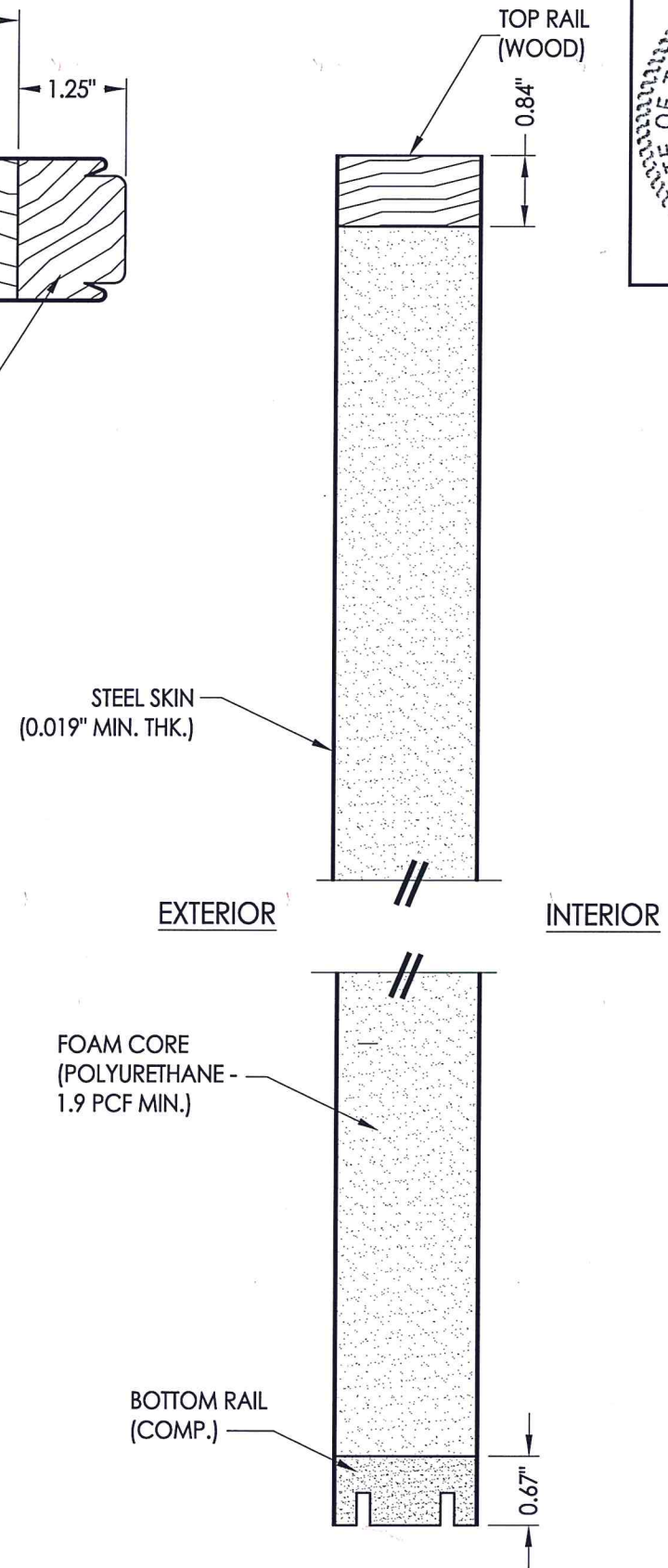
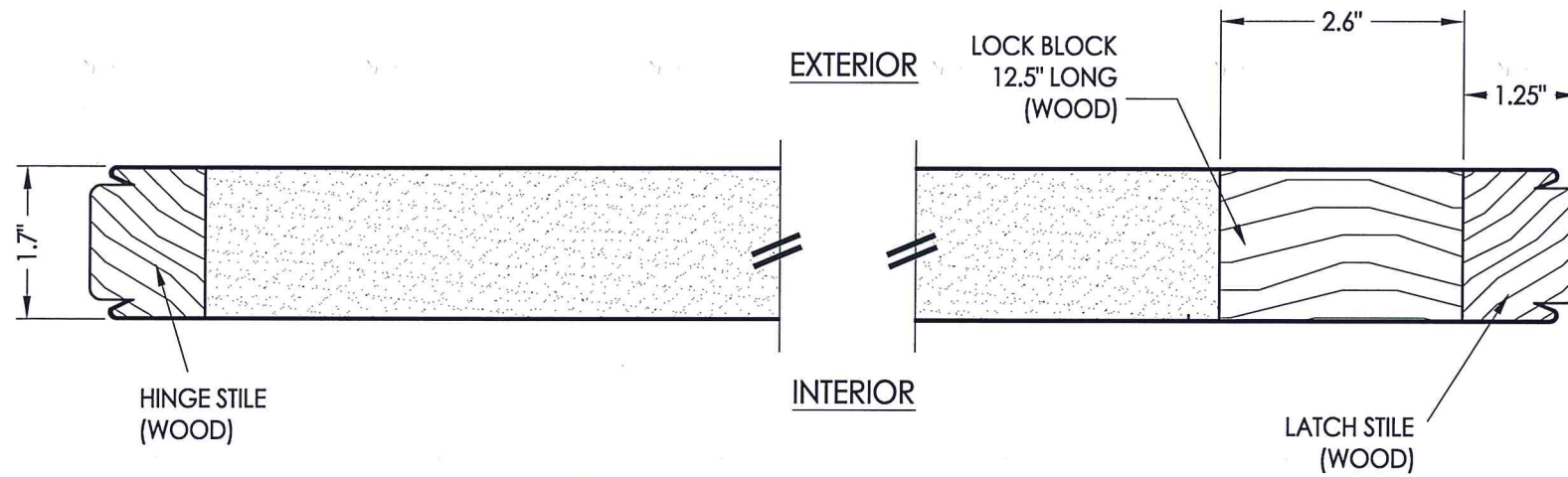
DATE: 08/16/12
SCALE: N.T.S.
DWG. BY: JK
CHK. BY: LFS
DRAWING NO.: TX-4228
SHEET 1 OF 10



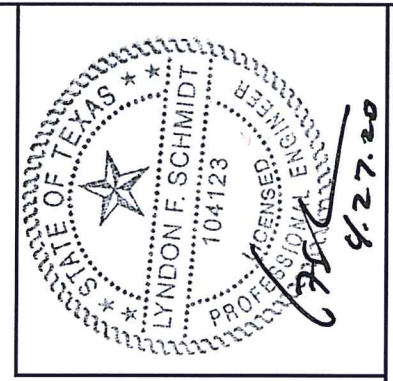
40 DOOR PANEL
"Profiles" Series

HARDWARE TABLE	
MANUFACTURER	MODEL
KWIKSET	KNOB: SIGNATURE SERIES
	DEADBOLT: SIGNATURE SERIES (780)
SCHLAGE	KNOB: "F" SERIES (F10)
	DEADBOLT: "B" SERIES (B60/62)

1 HORIZONTAL CROSS SECTION
2



2 VERTICAL CROSS SECTION
2

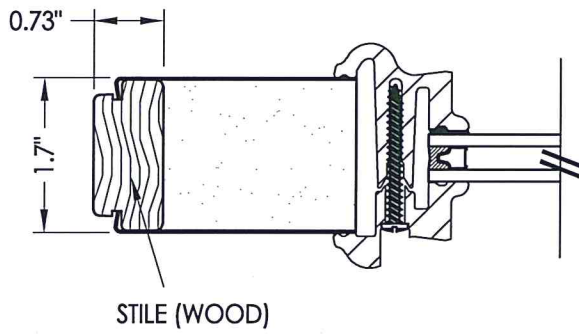
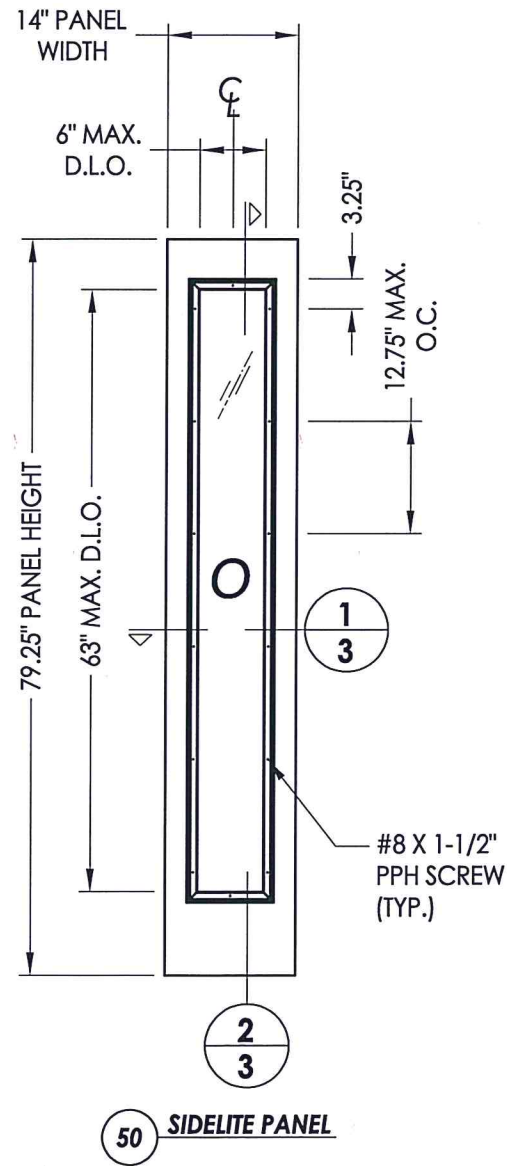


Documents Prepared By: Lyndon F. Schmidt, P.E.
TEXAS P.E. #104123

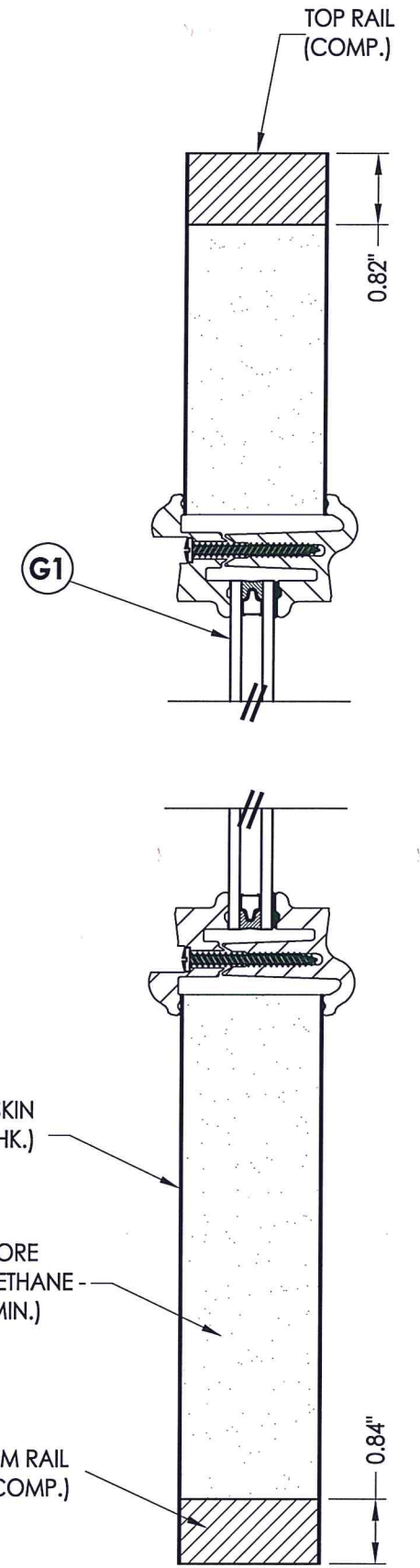
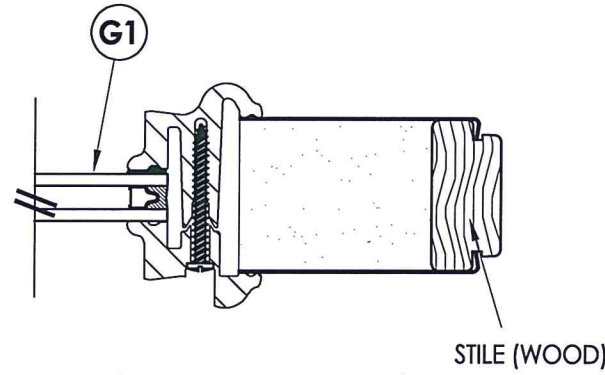
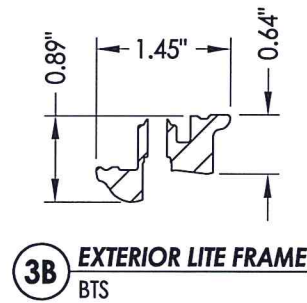
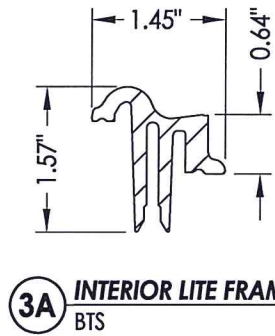
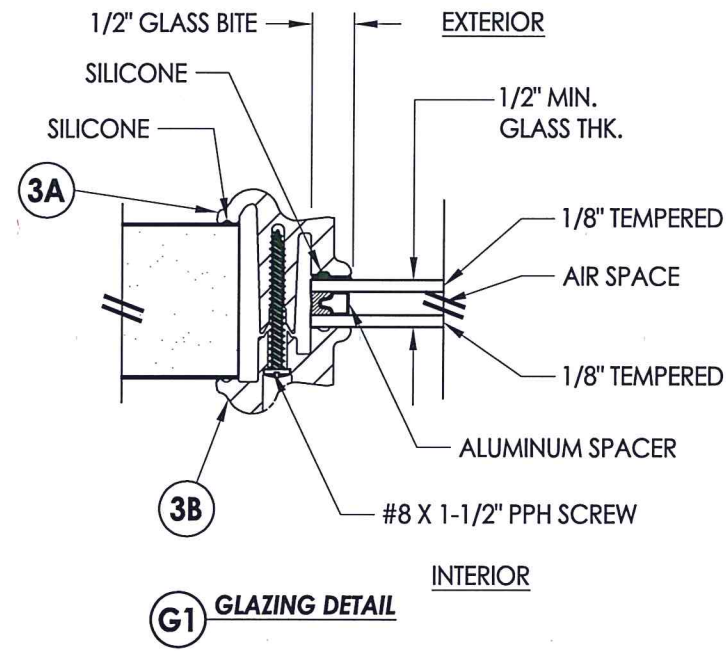
RW BUILDING CONSULTANTS, INC.
P.O. Box 230 Valrico FL 33595
Phone No.: 813.659.9197

TEXAS BOARD OF PROFESSIONAL ENGINEERS
CERTIFICATE OF REGISTRATION # F-11852

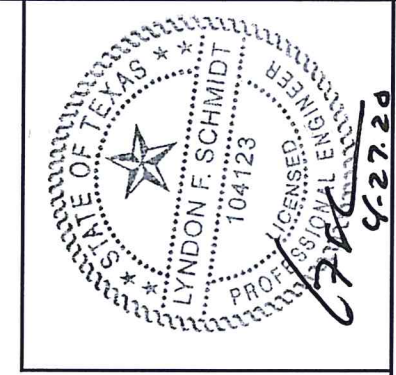
PRODUCT:	Therma-TRU STEEL DOOR	
PART OR ASSEMBLY:	DOOR PANEL DETAILS	
NO.	DATE	BY
1	4/27/20	LFS
UPDATE TO 2018 IBC/IRC CODE		
REVISIONS		
DATE: 08/16/12		
SCALE: N.T.S.		
DWG. BY: JK		
CHK. BY: LFS		
DRAWING NO.: TX-4228		
SHEET 2 OF 10		



1
3 HORIZONTAL CROSS SECTION



2
3 VERTICAL CROSS SECTION



Documents Prepared By: Lyndon F. Schmidt, P.E.
TEXAS P.E. #104123

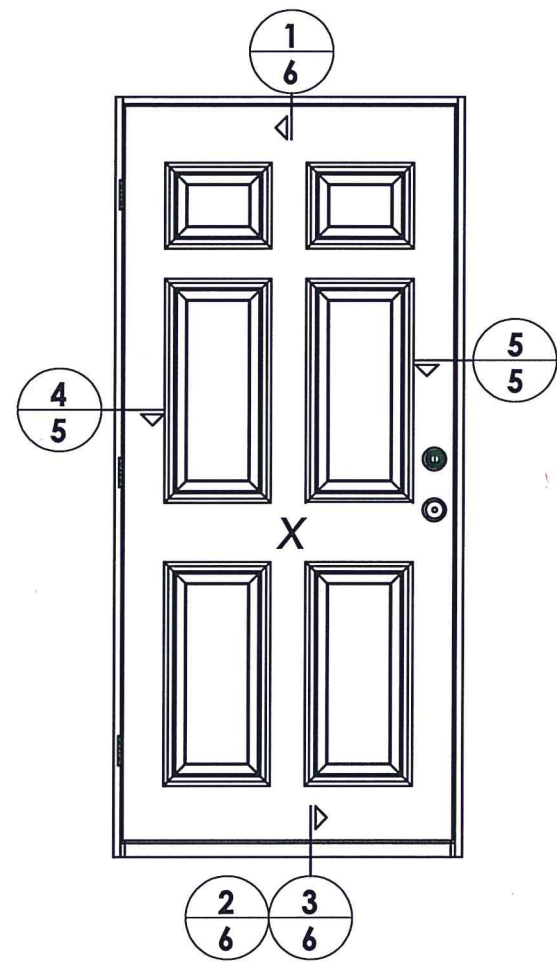
RW BUILDING CONSULTANTS, INC.
P.O. Box 230 Valrico FL, 33595
Phone No.: 813.669.9197
TEXAS BOARD OF PROFESSIONAL ENGINEERS
CERTIFICATE OF REGISTRATION # F-11852

PRODUCT: THERMA-TRU
STEEL DOOR

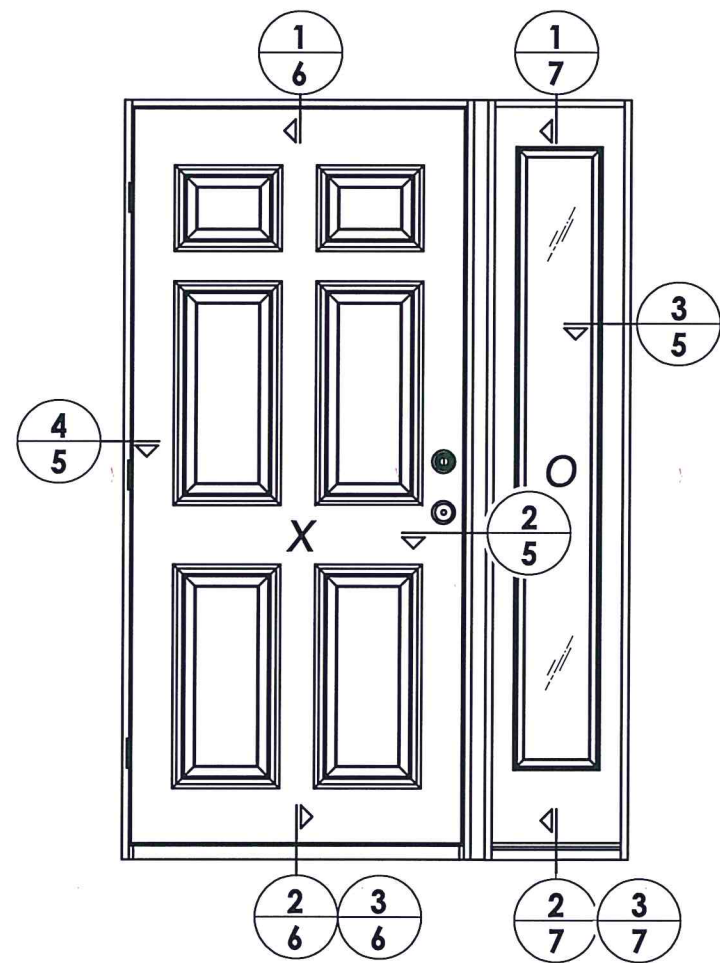
PART OR ASSEMBLY:
SIDELITE PANEL DETAILS
AND GLAZING DETAIL

NO.	DATE	DESCRIPTION	BY
1	4/27/20	UPDATE TO 2018 IBC/IRC CODE	LFS

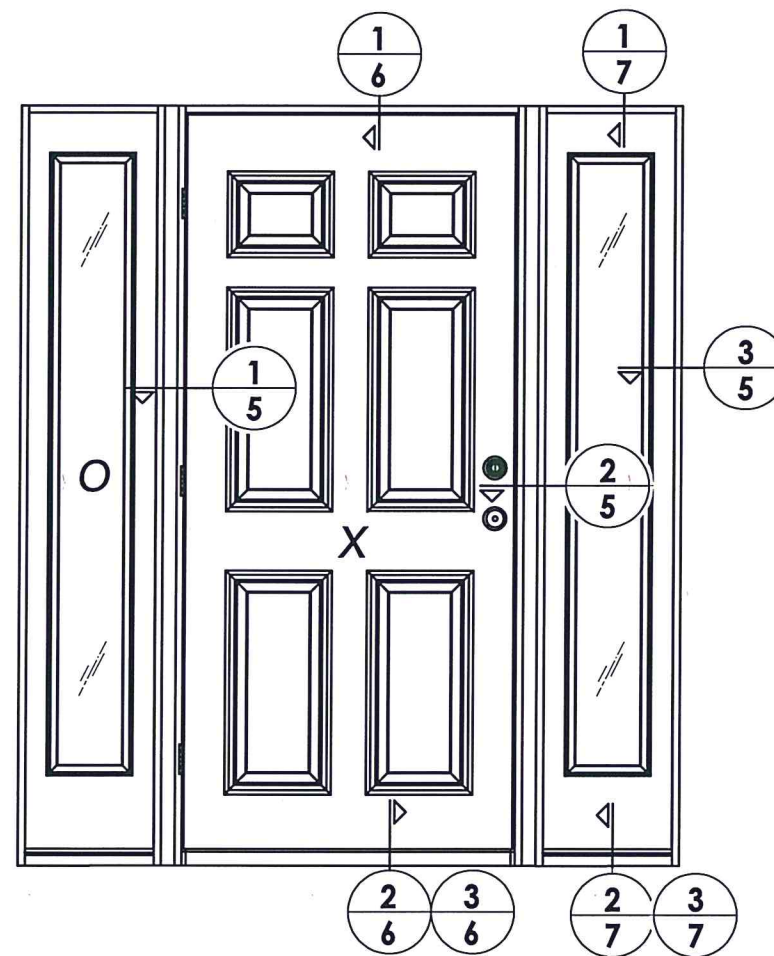
DATE: 08/16/12
SCALE: N.T.S.
DWG. BY: JK
CHK. BY: LFS
DRAWING NO.: TX-4228
SHEET 3 OF 10



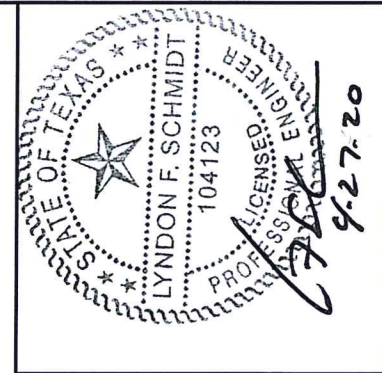
ELEVATION (X)



ELEVATION (OX / XO)



ELEVATION (OXO)



Documents Prepared By: Lyndon F. Schmidt, P.E.
TEXAS P.E. #104123

RW BUILDING CONSULTANTS, INC.
P.O. Box 230 Vaicico FL 33595
Phone No.: 813.659.9197
TEXAS BOARD OF PROFESSIONAL ENGINEERS
CERTIFICATE OF REGISTRATION # F-11852

PRODUCT: THERMA-TRU STEEL DOOR
PART OR ASSEMBLY: ELEVATIONS

NO.	DATE	DESCRIPTION	LFS	BY
1	4/27/20	UPDATE TO 2018 IBC/IRC CODE	LFS	BY

DATE: 08/16/12

SCALE: N.T.S.

DWG. BY: JK

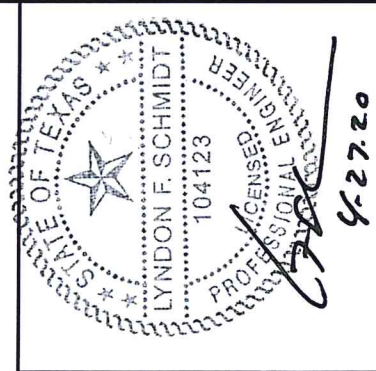
CHK. BY: LFS

DRAWING NO.:

TX-4228

SHEET 4 OF 10

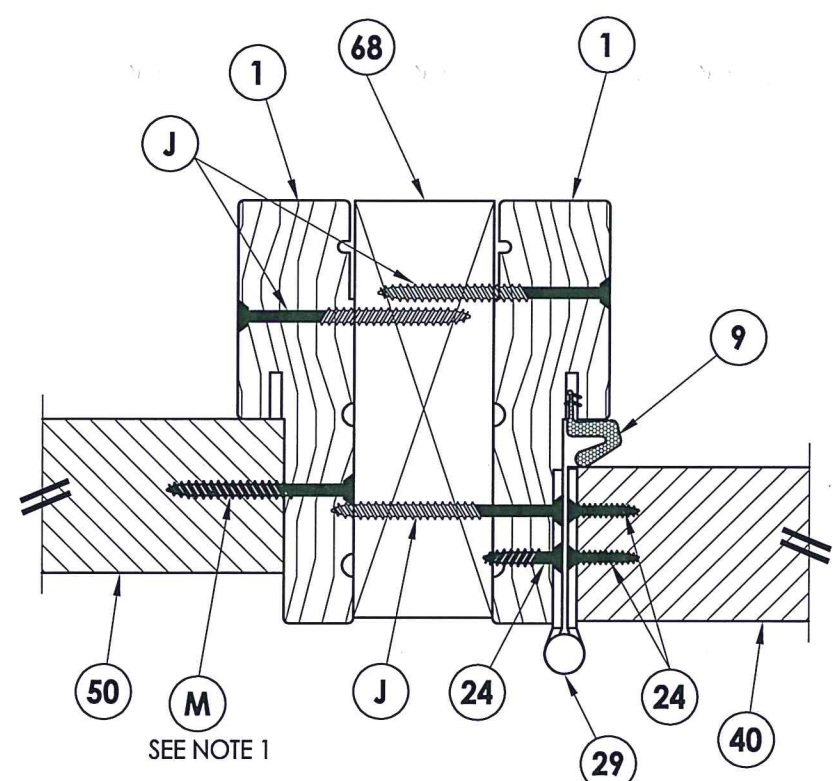
R:\Clients\Therma Tru PERMANENT\B - Texas Dept of Ins\TDI - DR 603 - 68 Opaque Profiles Steel Imp IS - OS Sgls Dbls w-wo Non-imp SLC - Drawings\TX-4228-29.dwg, 5



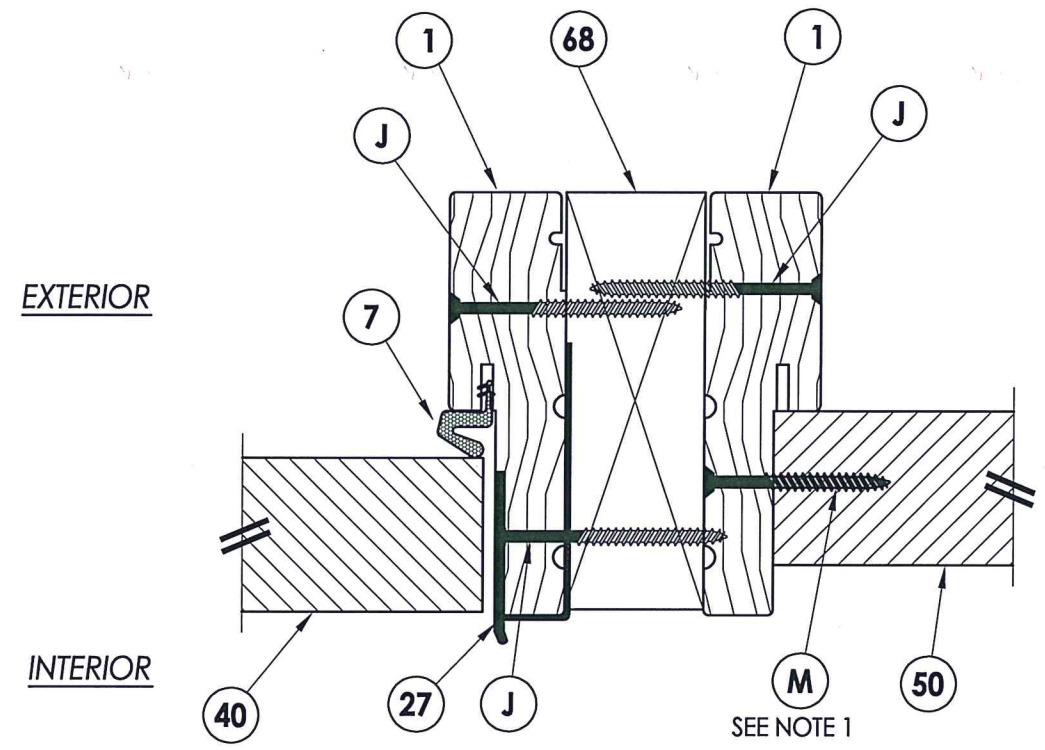
Documents Prepared By: Lyndon F. Schmidt, P.E.
 TEXAS P.E. #104123

RW BUILDING CONSULTANTS, INC.
 P.O. Box 230 Valrico FL 33595
 Phone No.: 813.659.9197

TEXAS BOARD OF PROFESSIONAL ENGINEERS
 CERTIFICATE OF REGISTRATION # F-11852



1 HORIZONTAL CROSS SECTION
5 Inswing shown - Outswing also approved

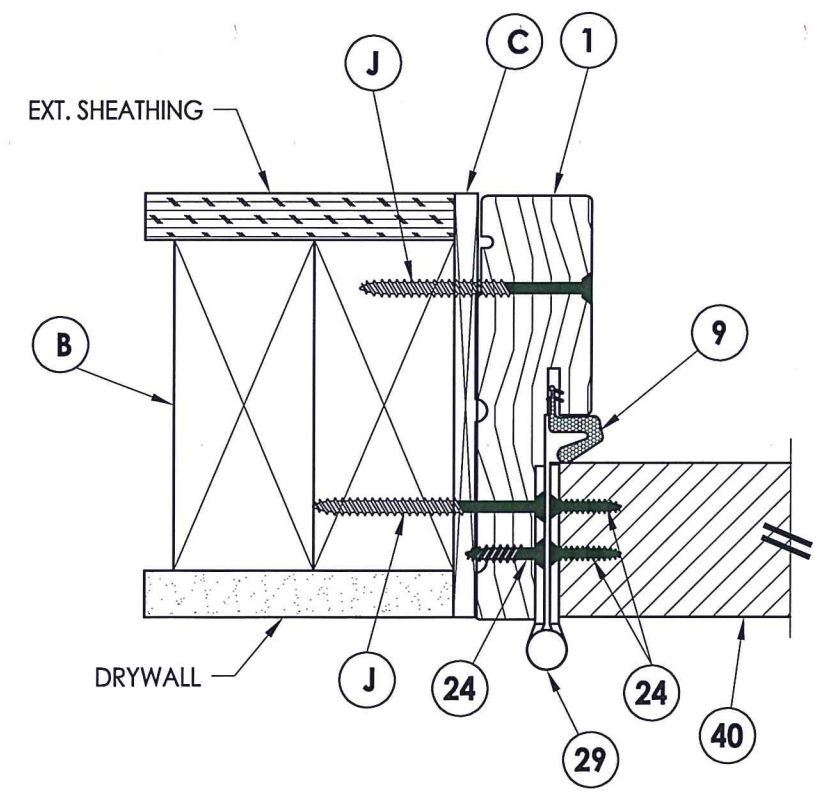


2 HORIZONTAL CROSS SECTION
5 Inswing shown - Outswing also approved

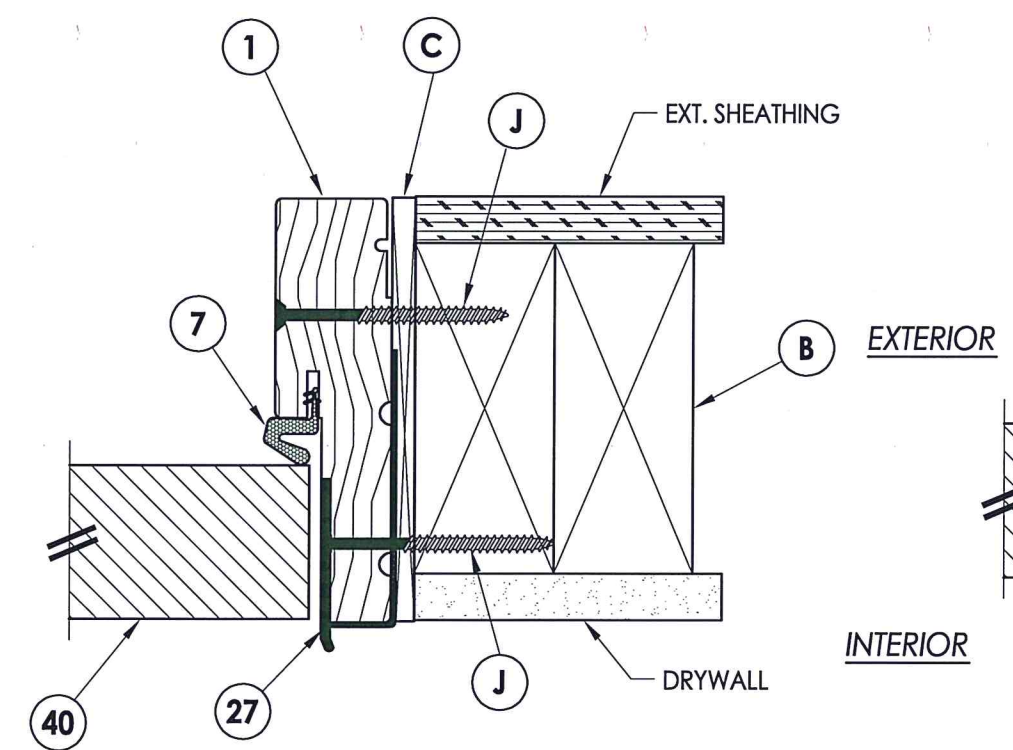
EXTERIOR

INTERIOR

Note:
 1. Sidelite assembly screws located
 6" from each end plus 4 more
 equally spaced (6 total).



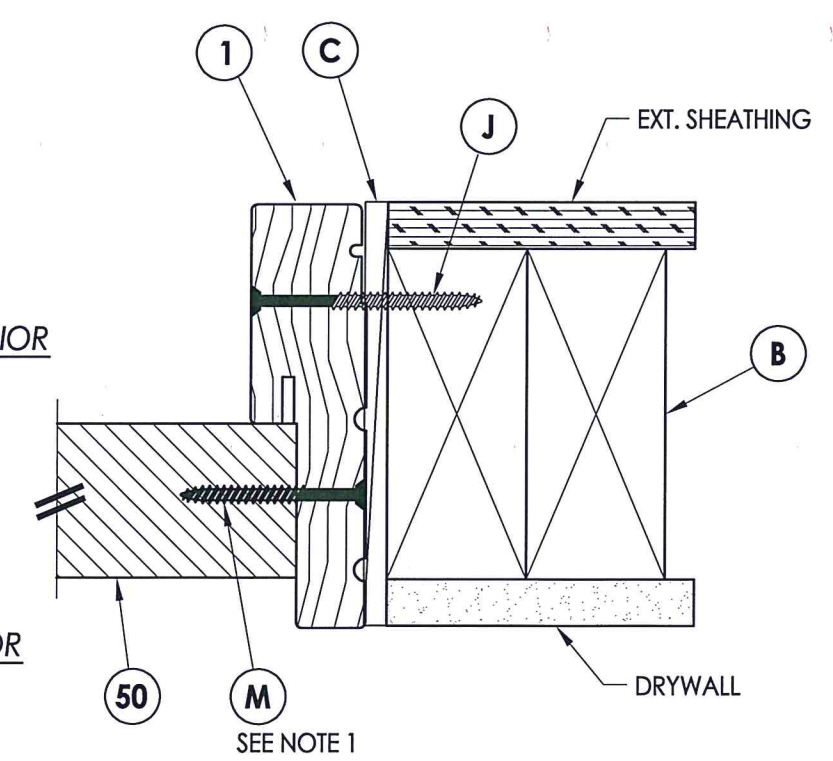
4 HORIZONTAL CROSS SECTION
5 Inswing shown - Outswing also approved



5 HORIZONTAL CROSS SECTION
5 Inswing shown - Outswing also approved

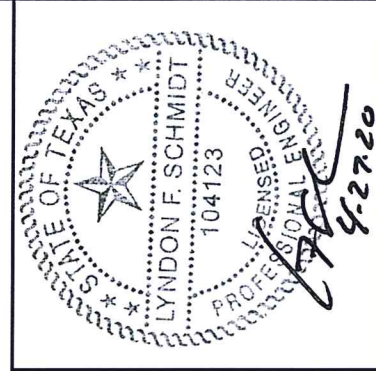
EXTERIOR

INTERIOR



3 HORIZONTAL CROSS SECTION
5 Inswing shown - Outswing also approved

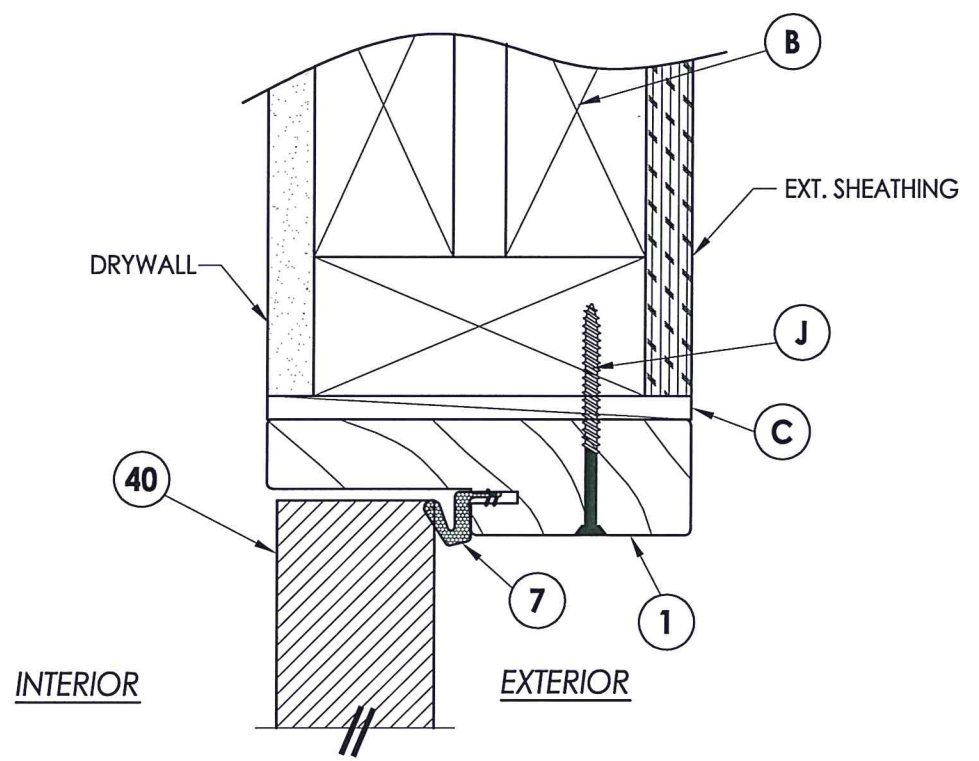
PRODUCT:	THERMA-TRU STEEL DOOR				
PART OR ASSEMBLY:	HORIZONTAL CROSS SECTIONS				
NO.	DATE	DATE	DATE	DATE	DATE
1	4/27/20	UPDATE TO 2018 IBC/IRC CODE	LFS	BY	
REVISIONS					
DATE: 08/16/12					
SCALE: N.T.S.					
DWG. BY: JK					
CHK. BY: LFS					
DRAWING NO.: TX-4228					
SHEET 5 of 10					



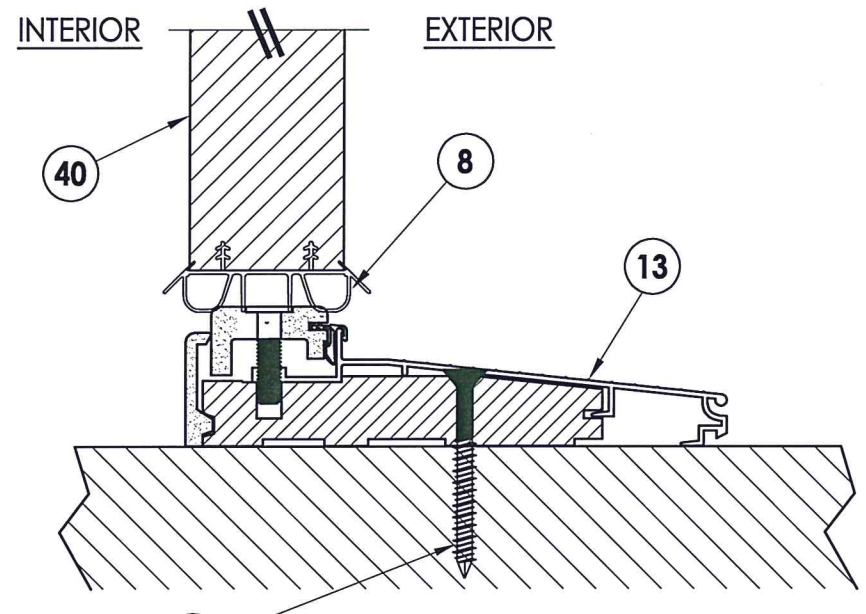
Documents Prepared By: Lyndon F. Schmidt, P.E.
TEXAS P.E. #104123

RW BUILDING CONSULTANTS, INC.
P.O. Box 230 Vairico FL. 33595
Phone No.: 813.659.9197

TEXAS BOARD OF PROFESSIONAL ENGINEERS
CERTIFICATE OF REGISTRATION # F-11852

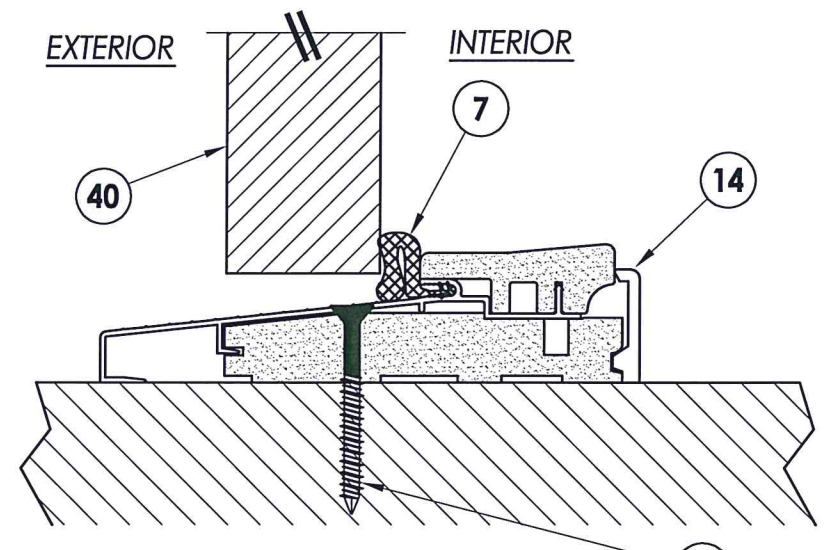


1 VERTICAL CROSS SECTION
6 Inswing shown - Outswing also approved



WOOD **J**
CONCRETE **P**

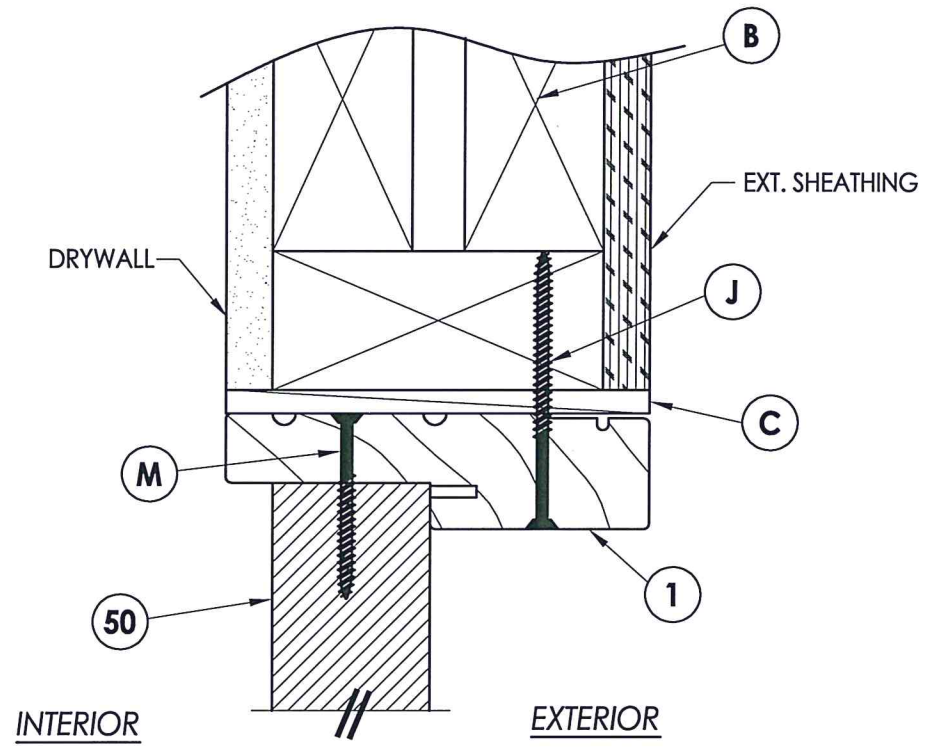
2 VERTICAL CROSS SECTION
6 Inswing configuration



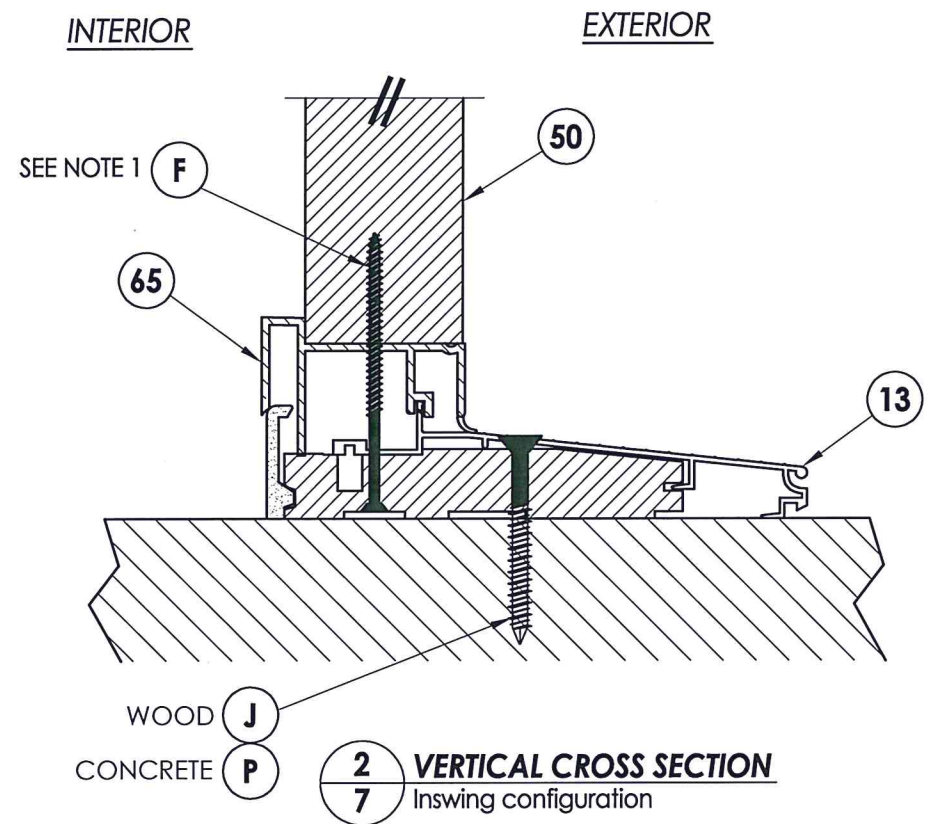
WOOD **J**
CONCRETE **P**

3 VERTICAL CROSS SECTION
6 Outswing configuration

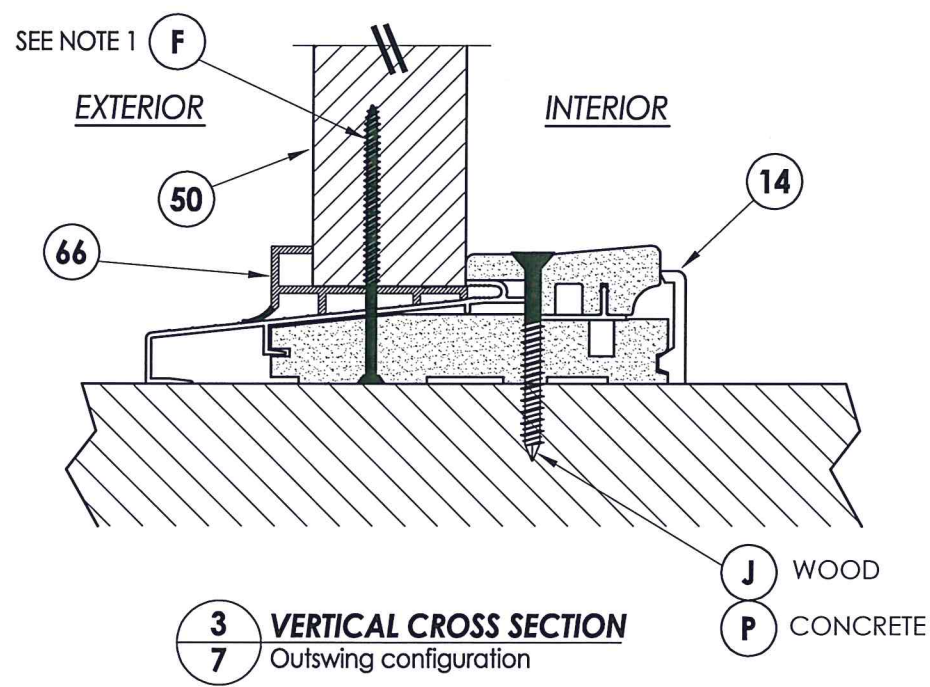
PRODUCT:	THERMA-TRU STEEL DOOR			
PART OR ASSEMBLY:	VERTICAL CROSS SECTIONS			
NO.	DATE	UPDATE TO 2018 IBC/IRC CODE	LFS	BY
1	4/27/20			
REVISIONS				
DATE:	08/16/12			
SCALE:	N.T.S.			
DWG. BY:	JK			
CHK. BY:	LFS			
DRAWING NO.:	TX-4228			
SHEET	6 OF 10			



1
7 **VERTICAL CROSS SECTION**
Inswing shown - Outswing also approved

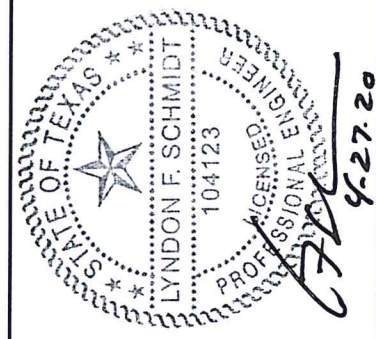


2
7 **VERTICAL CROSS SECTION**
Inswing configuration



3
7 **VERTICAL CROSS SECTION**
Outswing configuration

Note:
1. Sidelite assembly screws located 3" from each end (2 total).



Documents Prepared By: Lyndon F. Schmidt, P.E.
TEXAS P.E. #104123

RW BUILDING CONSULTANTS, INC.
P.O. Box 230 Valrico FL 33595
Phone No.: 813.659.9197

TEXAS BOARD OF PROFESSIONAL ENGINEERS
CERTIFICATE OF REGISTRATION # F-11852

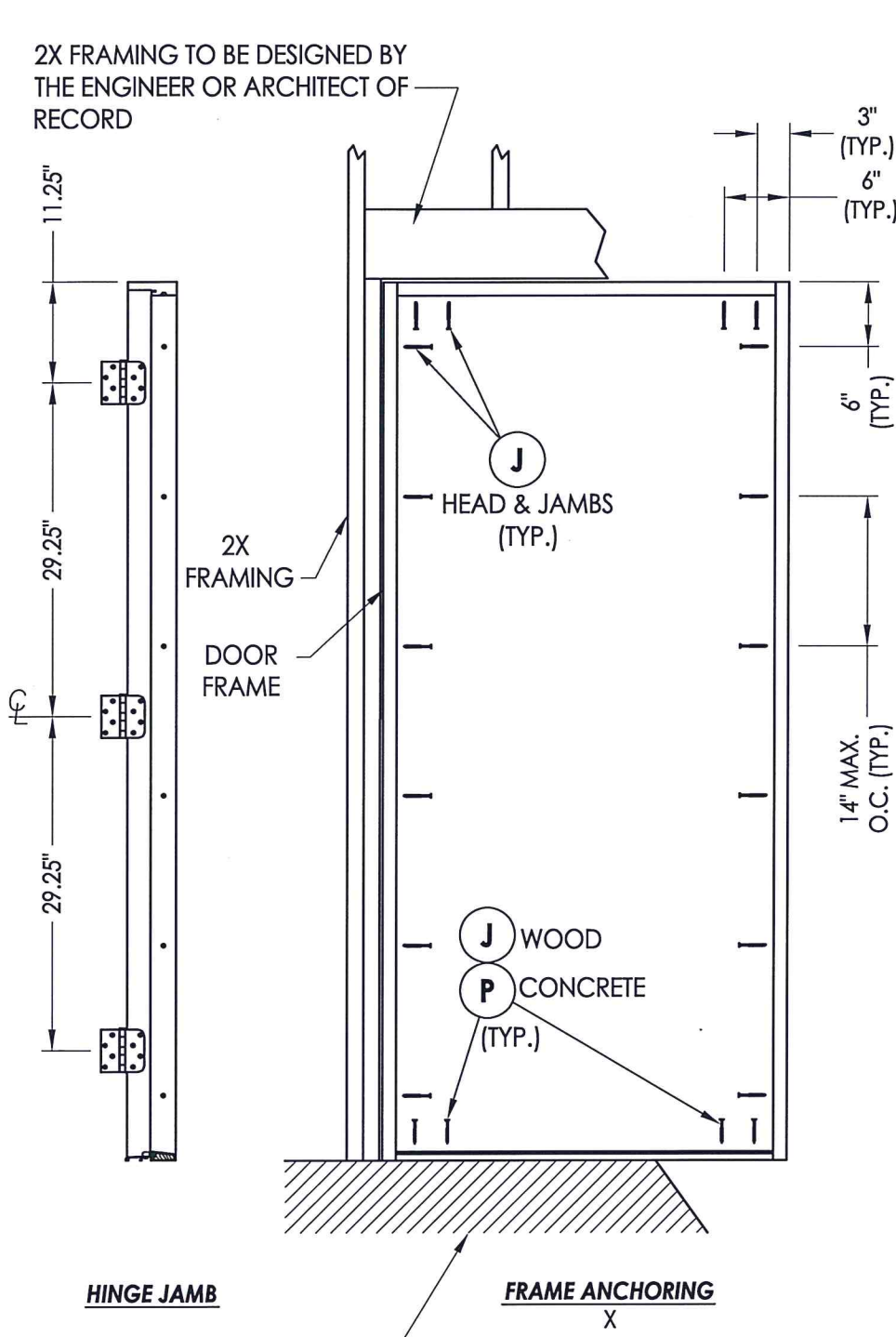
PRODUCT:	THERMA-TRU STEEL DOOR
PART OR ASSEMBLY:	VERTICAL CROSS SECTIONS

NO.	DATE	REVISIONS	BY
1	4/27/20	UPDATE TO 2018 IBC/IRC CODE	LFS

DATE:	08/16/12
SCALE:	N.T.S.
DWG. BY:	JK
CHK. BY:	LFS
DRAWING NO.:	TX-4228
SHEET	7 of 10

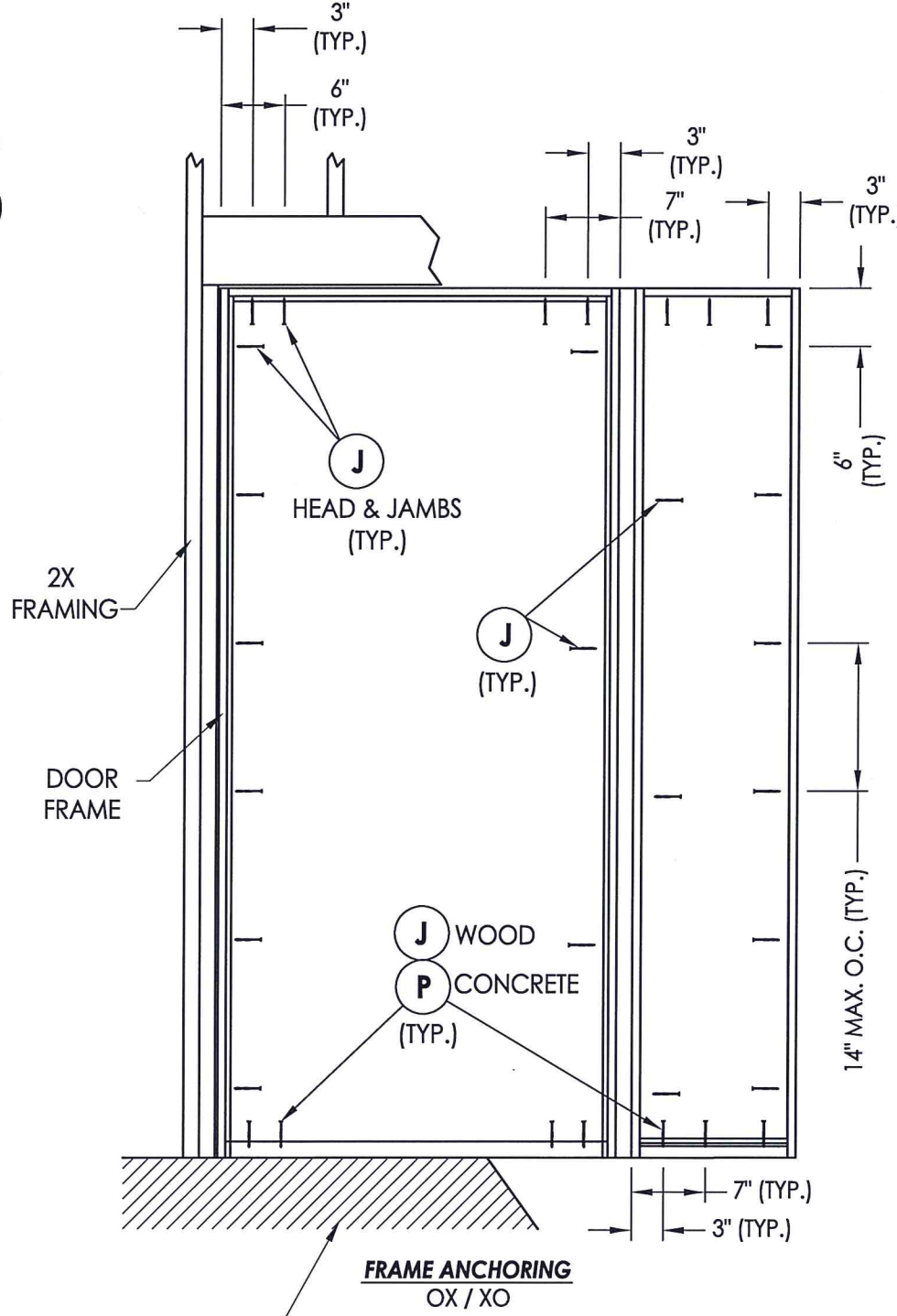
R:\Clients\Therma Tru Permanent\B - Texas Dept of Ins\TDI - DR 603 - 68 Opaque Profiles Steel Imp IS - OS Sgls Dbls w-wo Non-imp SL/C - Drawings\TX-4228-29.dwg, 8

2X FRAMING TO BE DESIGNED BY THE ENGINEER OR ARCHITECT OF RECORD



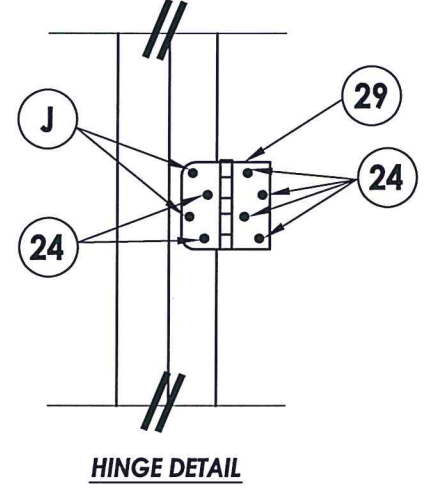
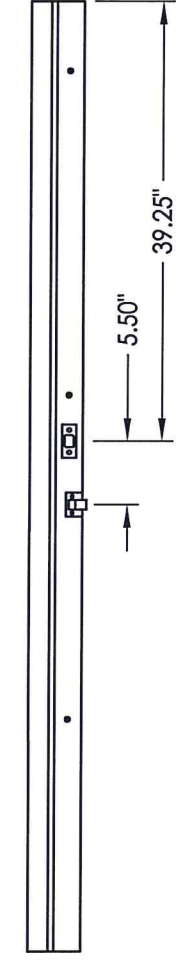
HINGE JAMB

FLOOR SUBSTRATE MATERIAL
CONCRETE (MIN. 3000 PSI)
WOOD (S.G. >= 0.42)

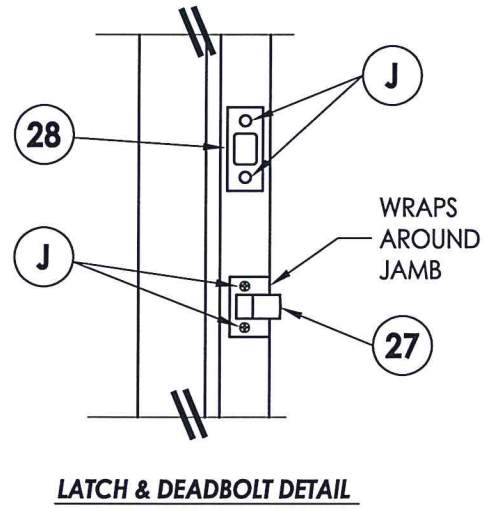


STRIKE JAMB

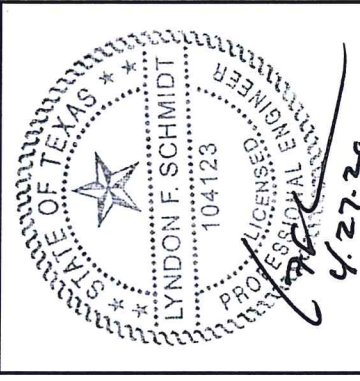
FLOOR SUBSTRATE MATERIAL
CONCRETE (MIN. 3000 PSI)
WOOD (S.G. >= 0.42)



HINGE DETAIL



LATCH & DEADBOLT DETAIL



Documents Prepared By: Lyndon F. Schmidt, P.E.
TEXAS P.E. #104123

RW BUILDING CONSULTANTS, INC.
P.O. Box 230 Valrico FL 33595
Phone No.: 813.659.9197

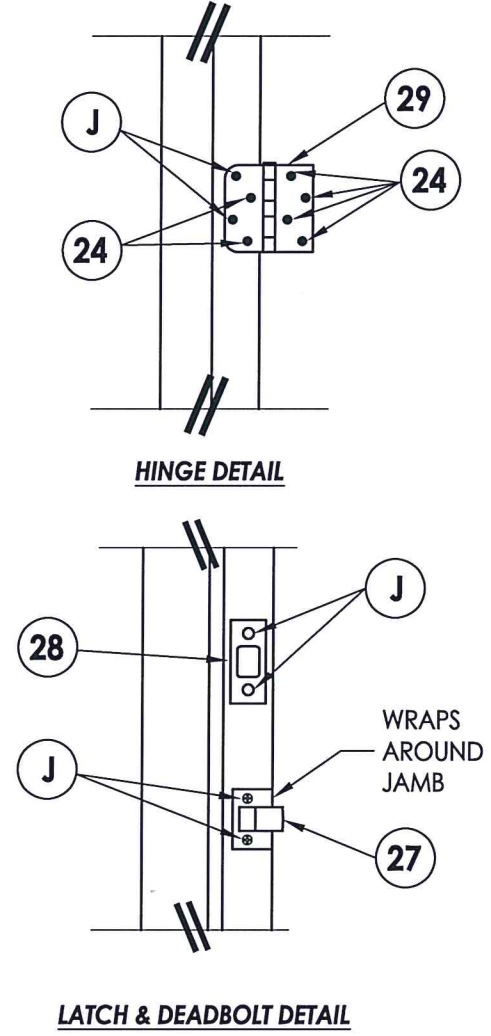
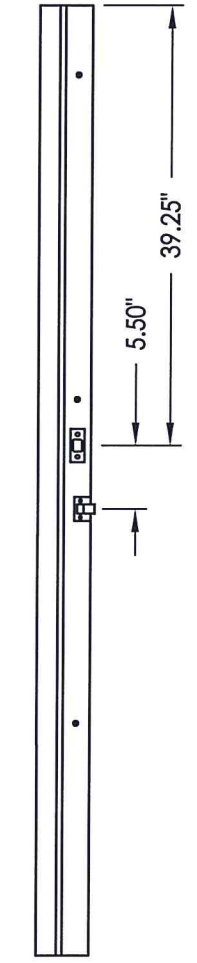
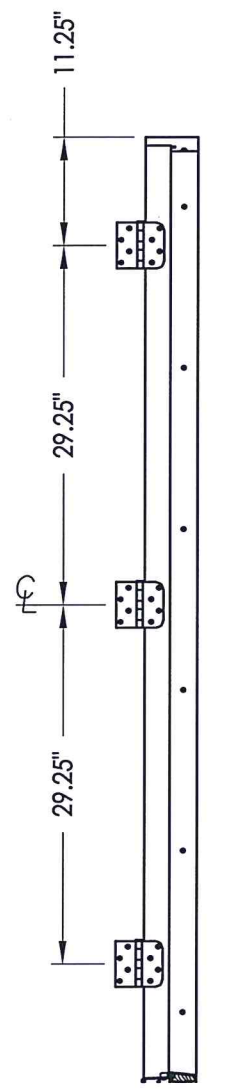
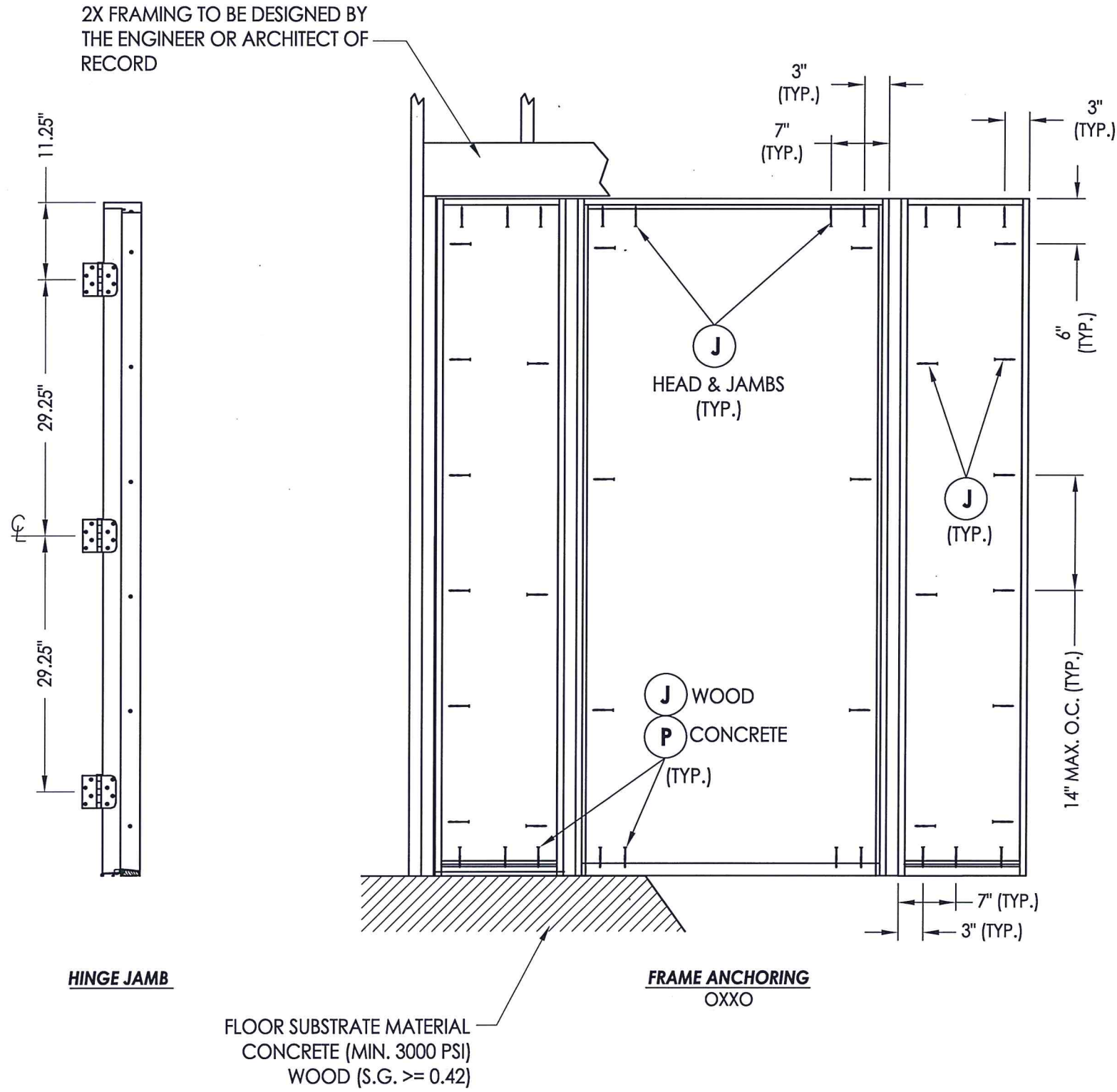
TEXAS BOARD OF PROFESSIONAL ENGINEERS
CERTIFICATE OF REGISTRATION # F-11852

PRODUCT:	THERMA-TRU STEEL DOOR
PART OR ASSEMBLY:	FRAME ANCHORING

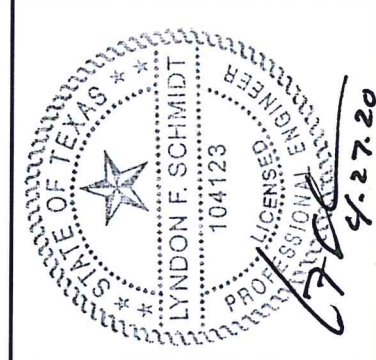
NO.	DATE	DESCRIPTION	LFS	BY
1	4/27/20	UPDATE TO 2018 IBC/IRC CODE		

DATE:	08/16/12
SCALE:	N.T.S.
DWG. BY:	JK
CHK. BY:	LFS
DRAWING NO.:	TX-4228
SHEET	8 OF 10

© 2012 R.W. BUILDING CONSULTANTS INC.



2X FRAMING TO BE DESIGNED BY THE ENGINEER OR ARCHITECT OF RECORD



Documents Prepared By: Lyndon F. Schmidt, P.E.
TEXAS P.E. #104123

RW BUILDING CONSULTANTS, INC.
P.O. Box 230 Valrico FL 33595
Phone No.: 813.659.9197
TEXAS BOARD OF PROFESSIONAL ENGINEERS
CERTIFICATE OF REGISTRATION # F-11852

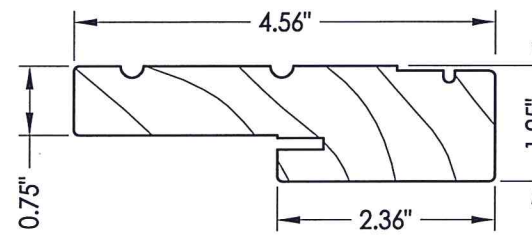
PRODUCT: THERMA-TRU STEEL DOOR
PART OR ASSEMBLY: FRAME ANCHORING

NO.	DATE	DESCRIPTION	BY
1	4/27/20	UPDATE TO 2018 IBC/IRC CODE	LFS

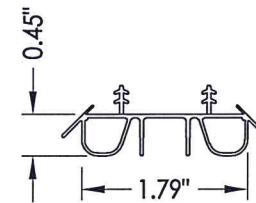
DATE: 08/16/12
SCALE: N.T.S.
DWG. BY: JK
CHK. BY: LFS
DRAWING NO.: TX-4228
SHEET 9 OF 10

BILL OF MATERIALS

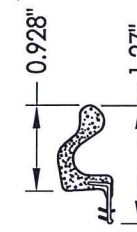
ITEM #	DESCRIPTION	MATERIAL
B	2X BUCK (SG >= 0.42)	WOOD
C	1/4" MAX. SHIM SPACE	-
F	#10 X 3" PFH WOOD SCREW	STEEL
J	#10 X 2-1/2" PFH WOOD SCREW	STEEL
M	#10 X 2" PFH WOOD SCREW	STEEL
P	1/4" PFH ELCO OR ITW CONCRETE SCREW (1-3/4" MIN. EMB.)	STEEL
1	JAMB - FINGER JOINTED PINE	WOOD
7	WEATHERSTRIP (Long Reach by Therma-Tru)	FOAM
8	SWEEP	VINYL
9	WEATHERSTRIP (Medium Reach by Therma-Tru)	FOAM
13	INSWING THRESHOLD	ALUM/COMP
14	OUTSWING THRESHOLD	ALUM/COMP
24	#10 x 1" PFH WOOD SCREW	STEEL
27	LATCH STRIKE PLATE	STEEL
28	DEADBOLT STRIKE PLATE	STEEL
29	4" X 4" HINGE	STEEL
40	DOOR PANEL	-
50	SIDELITE PANEL	-
65	INSWING SIDELITE ADAPTER	PVC
66	OUTSWING SIDELITE ADAPTER	PVC
68	2X MULLION (SG >= 0.55)	WOOD



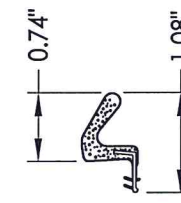
1 WOOD JAMB



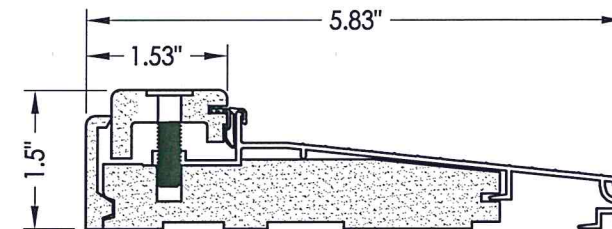
8 SWEEP



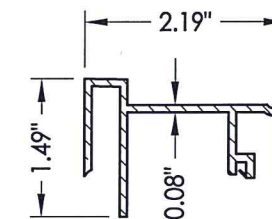
7 WEATHERSTRIP Long Reach



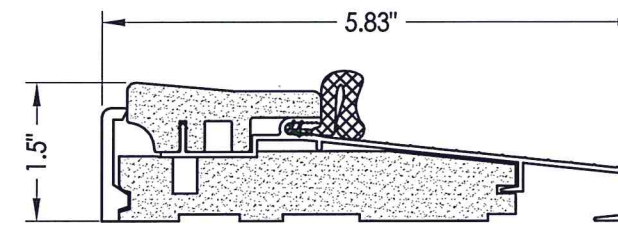
9 WEATHERSTRIP Medium Reach



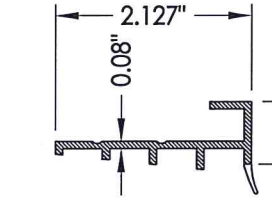
13 INSWING THRESHOLD



65 INSWING SIDELITE ADAPTER



14 OUTSWING THRESHOLD

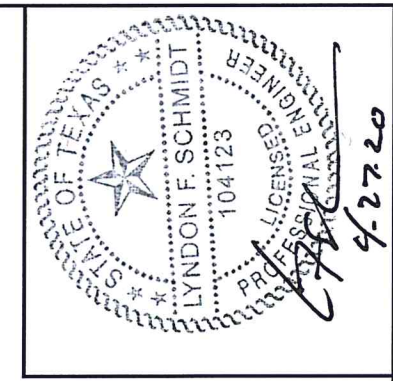


66 OUTSWING SIDELITE ADAPTER

CONCRETE ANCHOR NOTES:

- Concrete anchor locations at the corners may be adjusted to maintain the min. edge distance to mortar joints.
- Concrete anchor locations noted as "MAX. ON CENTER" must be adjusted to maintain the min. edge distance to mortar joints, additional concrete anchors may be required to ensure the "MAX. ON CENTER" dimension are not exceeded.
- Concrete anchor table:

ANCHOR TYPE	ANCHOR SIZE	MIN. EMBEDMENT	MIN. CLEARANCE TO MASONRY EDGE	MIN. CLEARANCE TO ADJACENT ANCHOR
ITW TAPCON®	1/4"	1-3/4"	2-1/2"	3"
ELCO ULTRACON®	1/4"	1-3/4"	1"	3"



Documents Prepared By: Lyndon F. Schmidt, P.E.
TEXAS P.E. #104123

RW BUILDING CONSULTANTS, INC.
P.O. Box 230 Valrico FL, 33595
Phone No.: 813.659.9197

TEXAS BOARD OF PROFESSIONAL ENGINEERS
CERTIFICATE OF REGISTRATION # F-11852

PRODUCT: THERMA-TRU STEEL DOOR

PART OR ASSEMBLY: BILL OF MATERIALS & COMPONENTS

NO.	DATE	DESCRIPTION	LFS	BY
1	4/27/20	UPDATE TO 2018 IBC/IRC CODE		

REVISIONS

DATE: 08/16/12

SCALE: N.T.S.

DWG. BY: JK

CHK. BY: LFS

DRAWING NO.: TX-4228

SHEET 10 of 10