

"Smooth-Star", "Fiber-Classic" & "Classic-Craft"

Glazed Fiberglass Single Door w/ or w/out Sidelites

INSWING / OUTSWING
"Non-Impact"

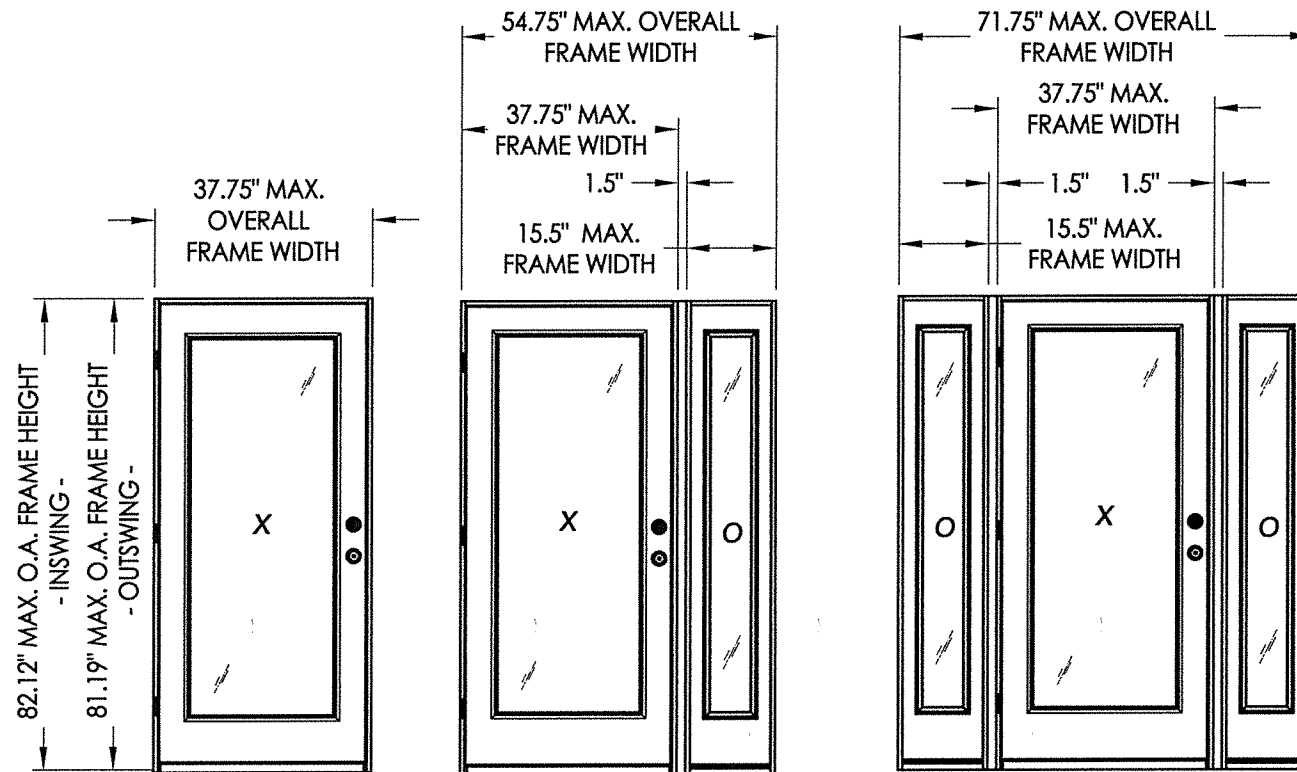
EVALUATED FOR USE IN THE STATE OF TEXAS

The Fiberglass Door system described herein complies with the 2018 International Residential Code (IRC), Sections R301 & R609 and the 2018 International Building Code (IBC), Sections 1404.13, 1609, 1709.5, 2403 and 2404 subject to the following conditions:

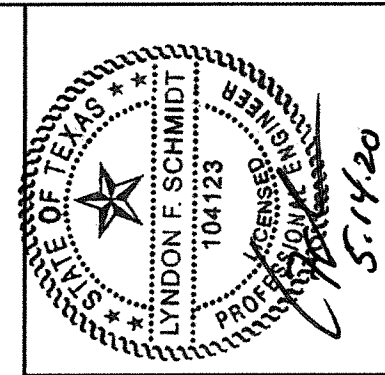
1. Anchors shall be as listed and spaced as shown in the details. Anchor embedment to base material shall be beyond wall dressing or stucco.
2. When used in areas requiring wind-borne debris protection this product is required to be protected with an impact resistant covering that complies with Section R301.2.1.2 of the IRC and Section 1609.1.2 of the IBC.
3. Allowable design pressure requirements must be equal to or less than the design pressure rating shown in the design pressure chart, sheet 1 of this drawing.
4. Conditions not covered by this drawing are subject to further engineering analysis.
5. Fiber-Classic and Smooth-Star Door and Sidelite panels require the use of "J" part numbers. These door and sidelite panels must be stained or painted within six months of installation.

TABLE OF CONTENTS

SHEET #	DESCRIPTION
1	Typical elevations, design pressures & general notes
2	Door panel & glazing detail (Smooth Star/Fiber Classic)
3	Door panel & glazing detail (Classic Craft)
4	Sidelite panel & glazing detail (Smooth Star/Fiber Classic)
5	Sidelite panel & glazing detail (Classic Craft)
6	Elevations
7	Horizontal cross sections
8	Vertical cross sections
9	Vertical cross sections
10	Frame anchoring
11	Frame anchoring
12	Bill of materials and components



CONFIGURATION	MAX. FRAME DIMENSION	SWING	DESIGN PRESSURE (PSF) SMOOTH-STAR / FIBER-CLASSIC		DESIGN PRESSURE (PSF) CLASSIC-CRAFT	
			POSITIVE	NEGATIVE	POSITIVE	NEGATIVE
X	37.75" x 82.12"	INSWING	+35.0	-40.0	+50.0	-55.0
	37.75" x 81.19"	OUTSWING	+35.0	-35.0	+50.0	-50.0
OX or XO	54.75" x 82.12"	INSWING	+35.0	-40.0	+50.0	-55.0
	54.75" x 81.19"	OUTSWING	+35.0	-35.0	+50.0	-50.0
OXO	71.75" x 82.12"	INSWING	+35.0	-40.0	+50.0	-55.0
	71.75" x 81.19"	OUTSWING	+35.0	-35.0	+50.0	-50.0



Documents Prepared By: Lyndon F. Schmidt, P.E.
TEXAS P.E. #104123

RW BUILDING CONSULTANTS, INC.
P.O. Box 230 Valrico FL 33595
Phone No.: 813.659.9197

TEXAS BOARD OF PROFESSIONAL ENGINEERS
CERTIFICATE OF REGISTRATION # F-11852

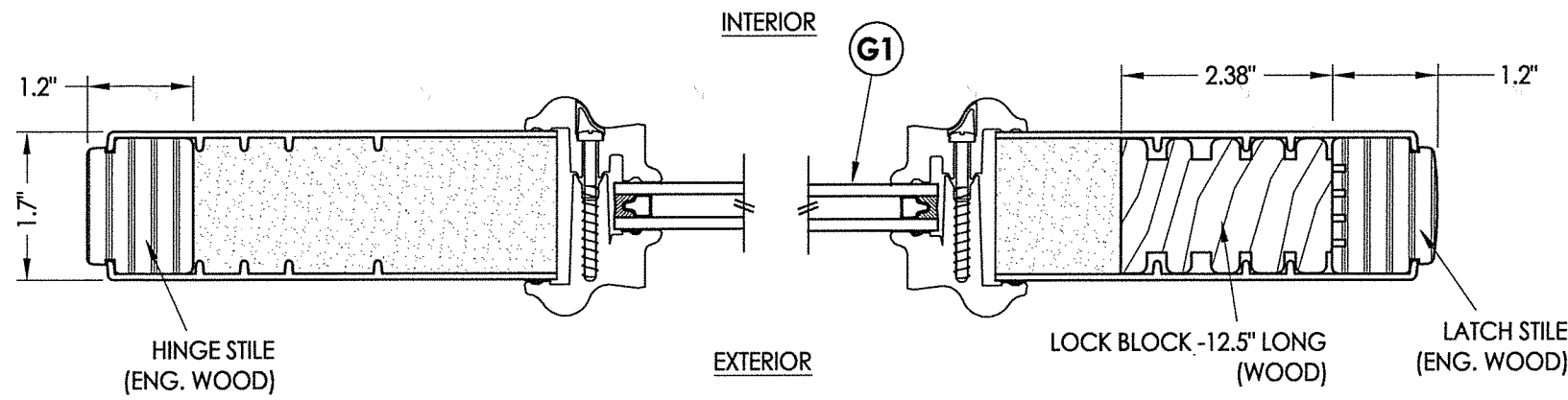
PRODUCT: THERMA-TRU FIBERGLASS DOOR

PART OR ASSEMBLY: TYPICAL ELEVATION, DESIGN PRESSURES & GENERAL NOTES

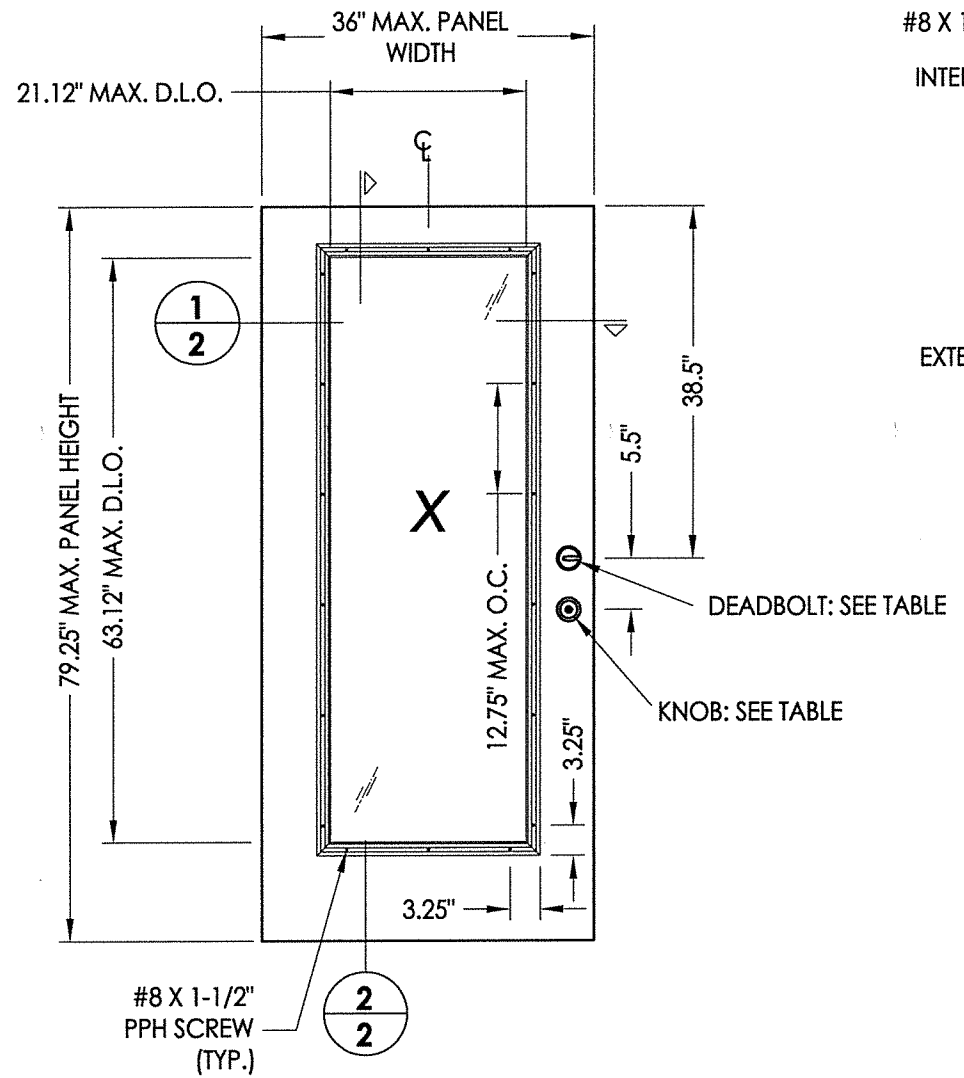
NO.	DATE	REVISIONS
3	5/14/20	UPDATE TO 2018 IBC/IRC CODE
2	9/05/18	REVISED LITE SCREW SPACING
1	7/22/15	ADDED GENERAL NOTE 5.

DATE: 10/08/12
SCALE: N.T.S.
DWG. BY: JK
CHK. BY: LFS
DRAWING NO.: TX-4262
SHEET 1 OF 12

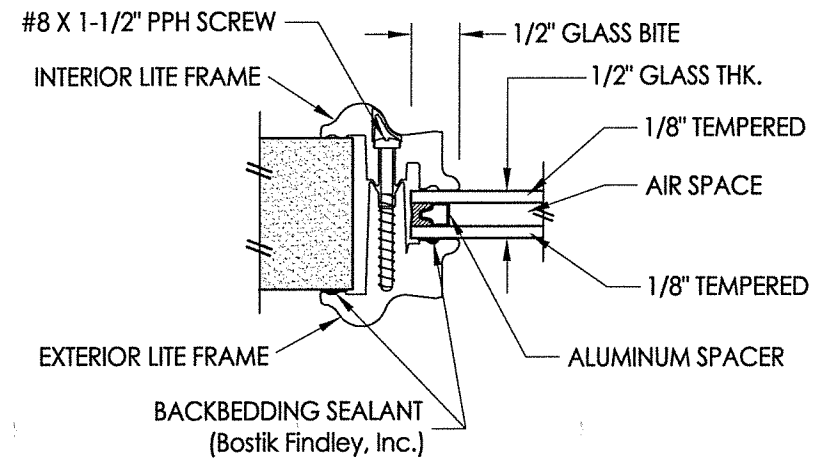
R:\Clients\Therma Tru PERMANENT\B - Texas Dept of Ins\TDI - DR 602 - 68 - 80 Glazed FG Nontmp IS - OS Sgls Dbils w SLC - Drawings\TX-4262-63.dwg, 2



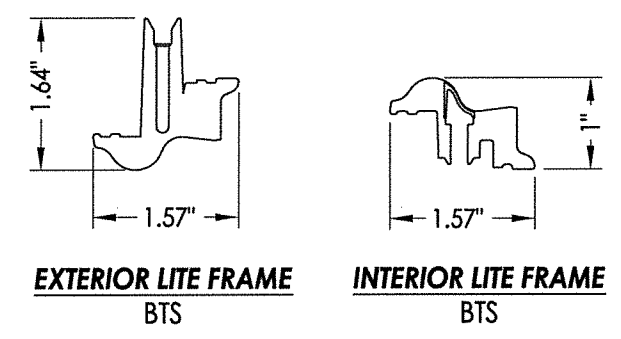
1
2 HORIZONTAL CROSS SECTION



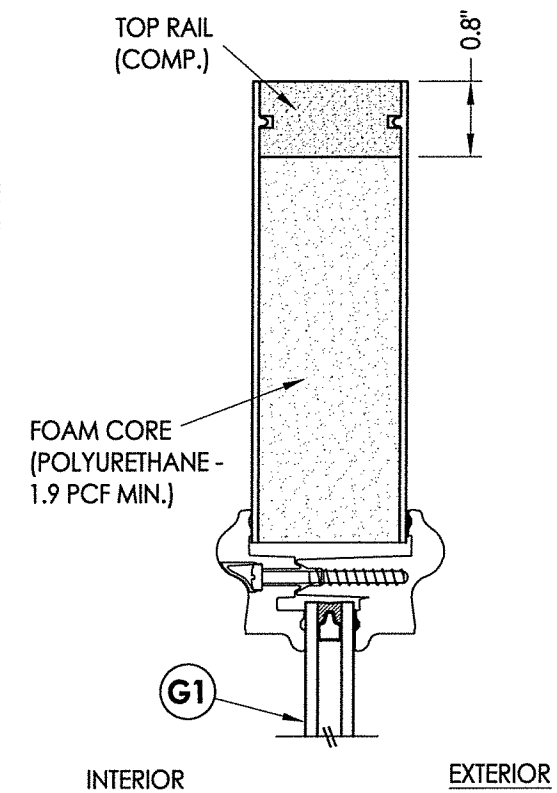
40 DOOR PANEL
Smooth Star/Fiber Classic



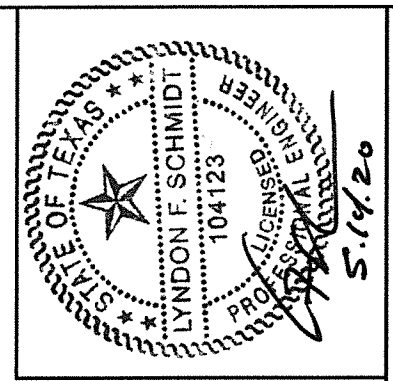
G1 GLAZING DETAIL
BTS Lip Lite Frame



HARDWARE TABLE	
MANUFACTURER	MODEL
KWIKSET	KNOB: SIGNATURE SERIES
	DEADBOLT: SIGNATURE SERIES (980)
SCHLAGE	KNOB: "F" SERIES
	DEADBOLT: "B" SERIES



2
2 VERTICAL CROSS SECTION



Documents Prepared By: Lyndon F. Schmidt, P.E.
TEXAS P.E. #104123

RW BUILDING CONSULTANTS, INC.
P.O. Box 230 Valrico FL 33595
Phone No.: 813.659.9197

TEXAS BOARD OF PROFESSIONAL ENGINEERS
CERTIFICATE OF REGISTRATION # F-11852

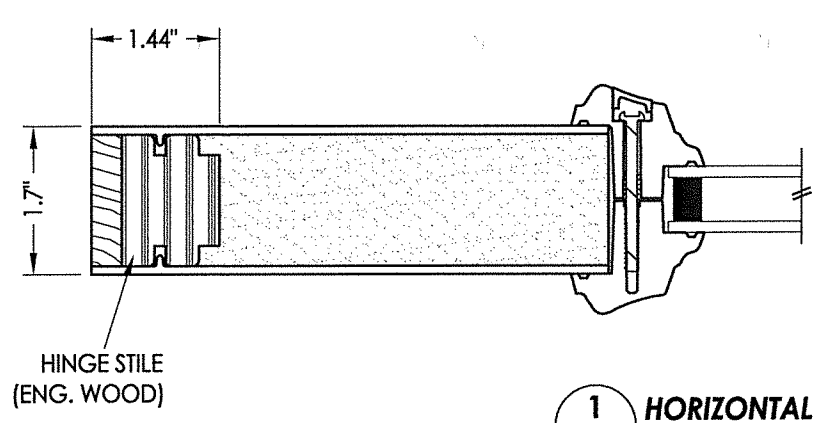
PRODUCT: THERMA-TRU
FIBERGLASS DOOR

PART OR ASSEMBLY:
DOOR PANEL & GLAZING DETAIL
(SMOOTH STAR/FIBER CLASSIC)

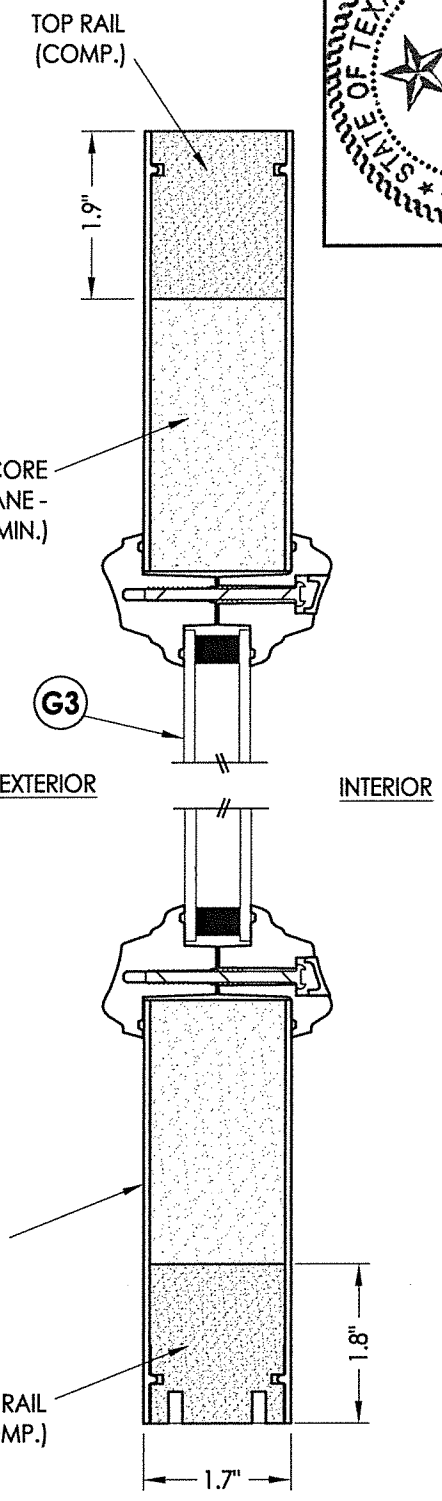
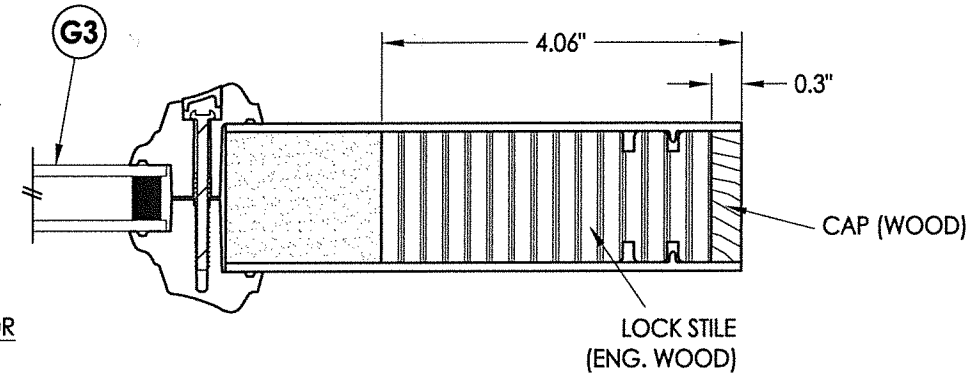
NO.	DATE	BY	REVISIONS
3	5/14/20	LFS	UPDATE TO 2018 IBC/IRC CODE
2	9/05/18	LFS	REVISED LITE SCREW SPACING
1	7/22/15	LFS	ADDED GENERAL NOTE 5.

DATE: 10/08/12
SCALE: N.T.S.
DWG. BY: JK
CHK. BY: LFS
DRAWING NO.: TX-4262
SHEET 2 OF 12

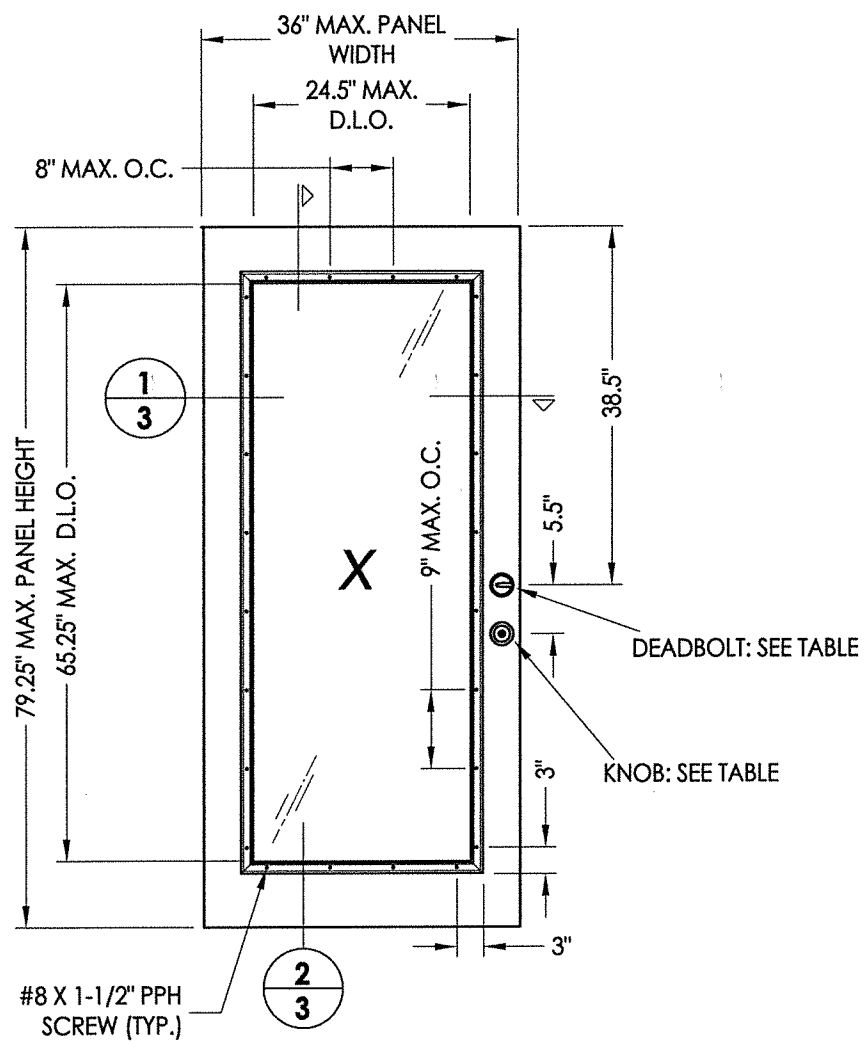
R:\Clients\Therma Tru PERMANENT\B - Texas Dept of Ins\TDI - DR 602 - 68 - 80 Glazed FG NonImp IS - OS Sgls Dbls w SLVC - Drawings\TX-4262-63.dwg, 3



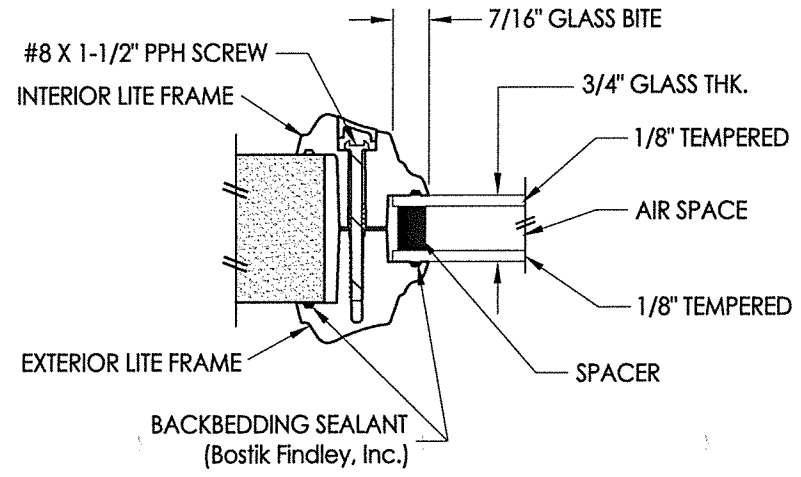
1
3 HORIZONTAL CROSS SECTION



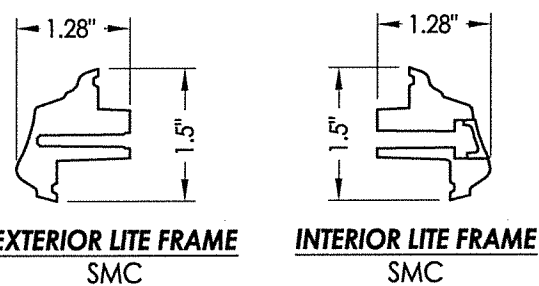
2
3 VERTICAL CROSS SECTION



41 DOOR PANEL
Classic Craft



G3 GLAZING DETAIL
SMC Lip Lite Frame



HARDWARE TABLE	
MANUFACTURER	MODEL
Kwikset	KNOB: SIGNATURE SERIES
	DEADBOLT: SIGNATURE SERIES (980)
Schlage	KNOB: "F" SERIES
	DEADBOLT: "B" SERIES



Documents Prepared By: Lyndon F. Schmidt, P.E.
TEXAS P.E. #104123

RW BUILDING CONSULTANTS, INC.
P.O. Box 230 Valrico FL 33595
Phone No.: 813.659.9197

TEXAS BOARD OF PROFESSIONAL ENGINEERS
CERTIFICATE OF REGISTRATION # F-11852

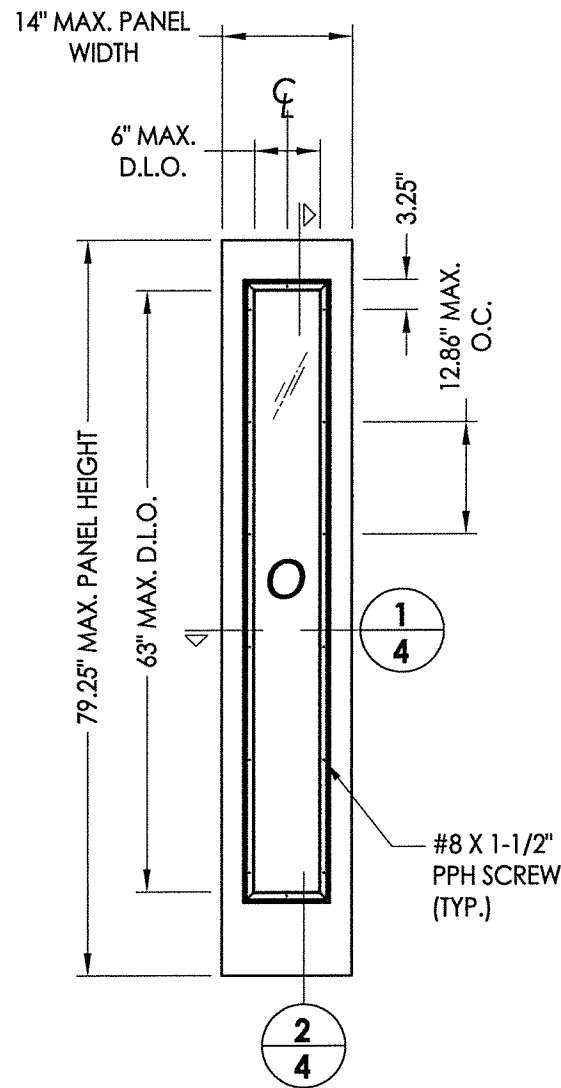
PRODUCT: THERMA-TRU
FIBERGLASS DOOR

PART OR ASSEMBLY:
DOOR PANEL & GLAZING DETAIL
(CLASSIC CRAFT)

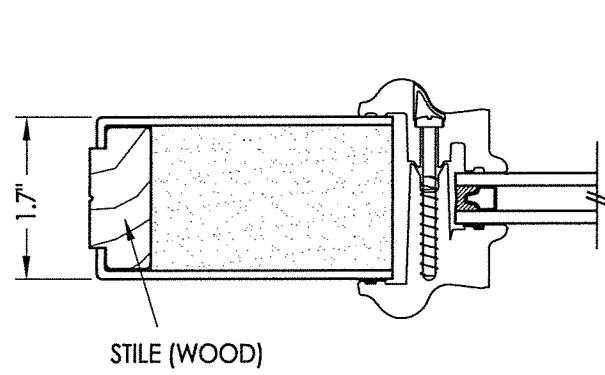
NO.	DATE	REVISIONS	BY
3	5/14/20	UPDATE TO 2018 IBC/IRC CODE	LFS
2	9/05/18	REVISED LITE SCREW SPACING	LFS
1	7/22/15	ADDED GENERAL NOTE 5.	LFS

DATE: 10/08/12
SCALE: N.T.S.
DWG. BY: JK
CHK. BY: LFS
DRAWING NO.: TX-4262
SHEET 3 OF 12

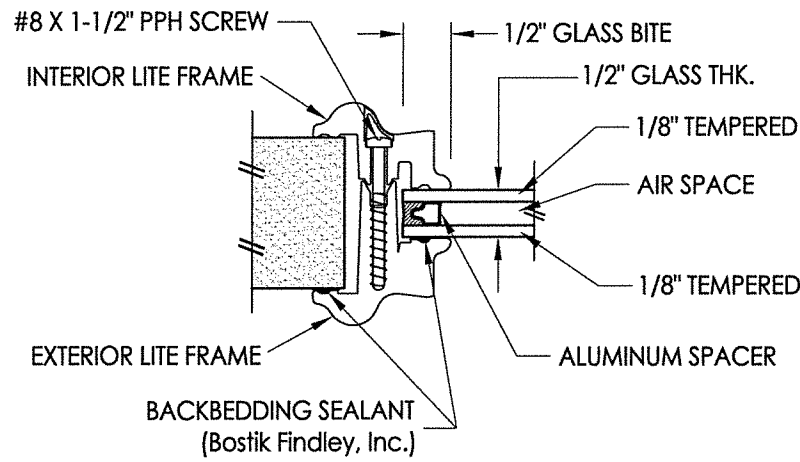
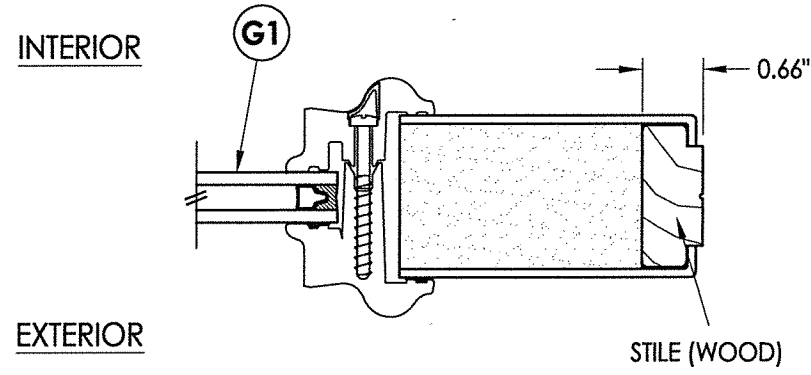
R:\Clients\Therma Tru PERMANENT\B - Texas Dept of Ins\TDI - DR 602 - 68 - 80 Glazed FG NonImp IS - OS Sgls Dbls w SLIC - Drawings\TX-4262-63.dwg, 4



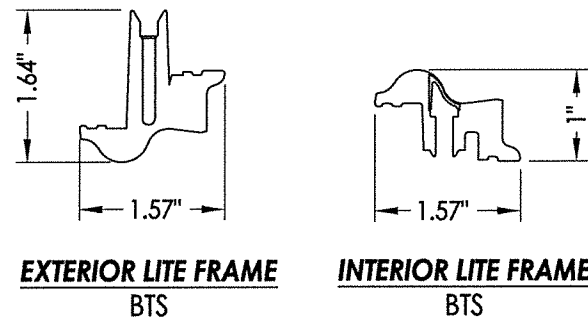
50 SIDELITE PANEL
Smooth Star/Fiber Classic



1
3 HORIZONTAL CROSS SECTION

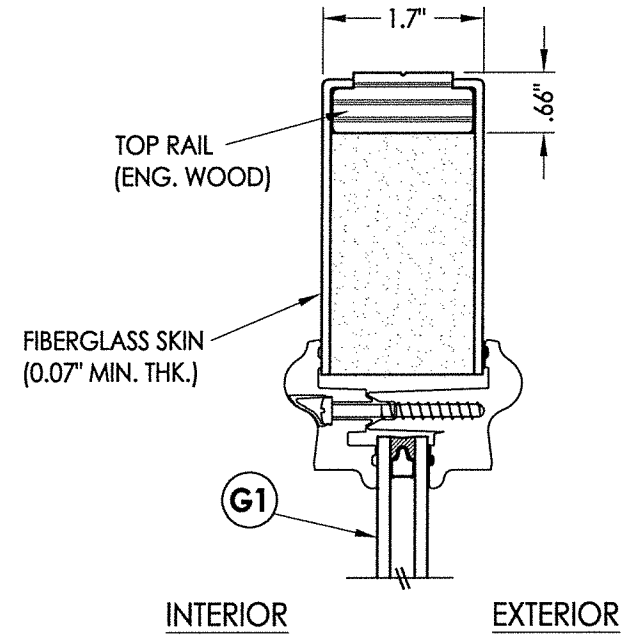


G1 GLAZING DETAIL
BTS Lip Lite Frame

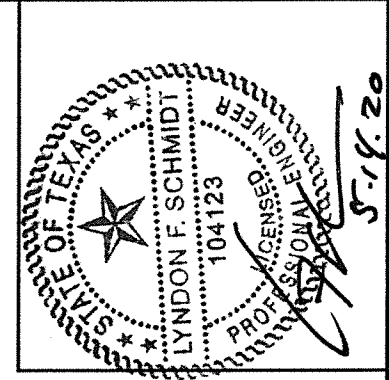
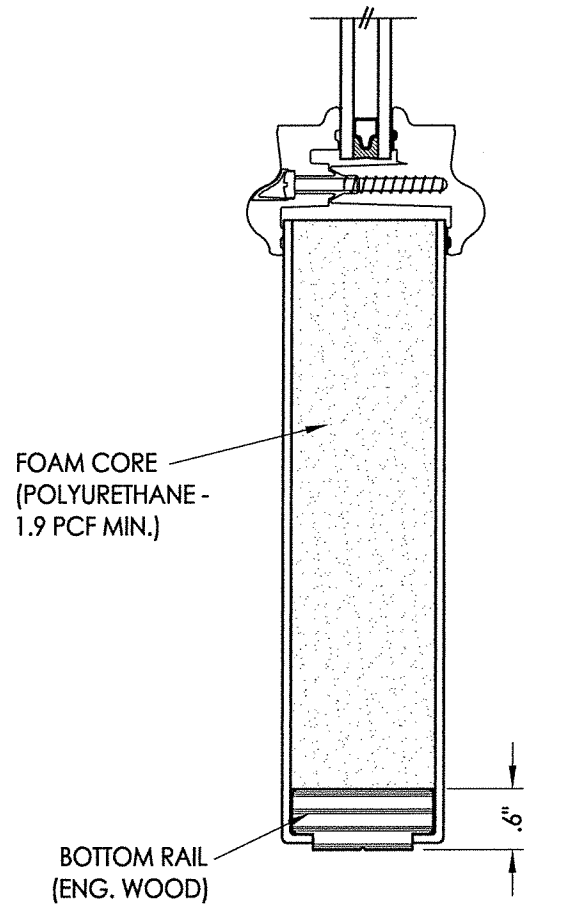


EXTERIOR LITE FRAME
BTS

INTERIOR LITE FRAME
BTS



2
4 VERTICAL CROSS SECTION



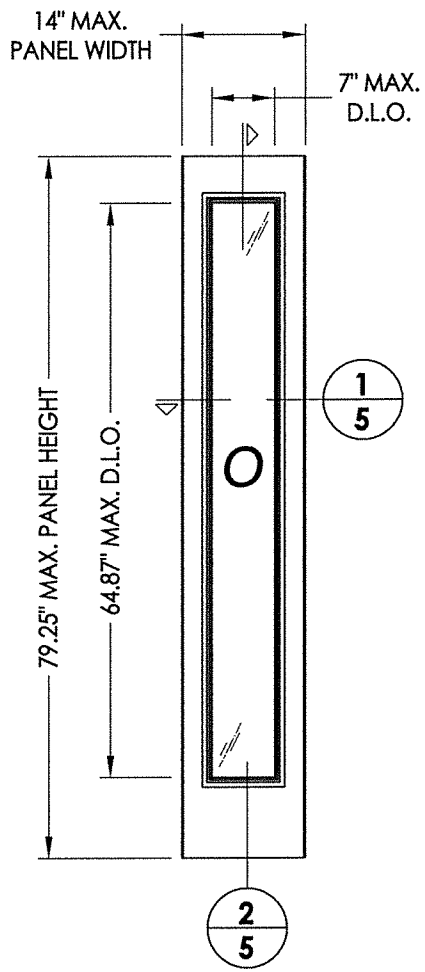
Documents Prepared By: Lyndon F. Schmidt, P.E.
TEXAS P.E. #104123

RW BUILDING CONSULTANTS, INC.
P.O. Box 230 Valrico FL 33595
Phone No.: 813.659.9197
TEXAS BOARD OF PROFESSIONAL ENGINEERS
CERTIFICATE OF REGISTRATION # F-11852

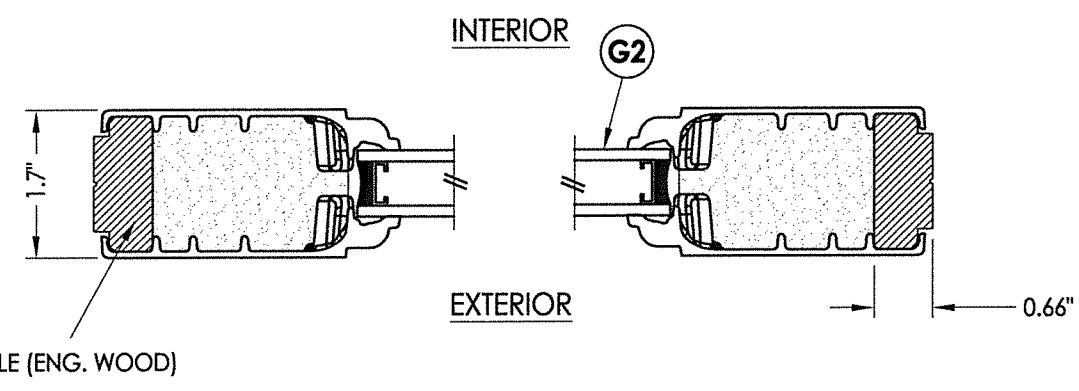
PRODUCT: THERMA-TRU
FIBERGLASS DOOR
PART OR ASSEMBLY:
SIDELITE PANEL & GLAZING DETAIL
(SMOOTH STAR/FIBER CLASSIC)

NO.	DATE	BY	REVISIONS
3	5/14/20	LFS	UPDATE TO 2018 IBC/IRC CODE
2	9/05/18	LFS	REVISED LITE SCREW SPACING
1	7/22/15	LFS	ADDED GENERAL NOTE 5.

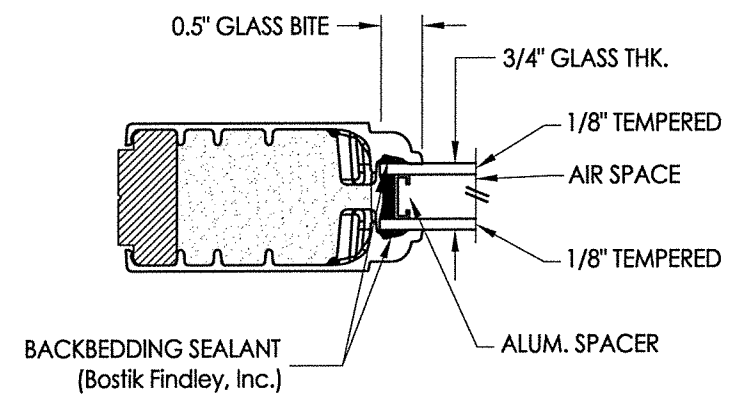
DATE: 10/08/12
SCALE: N.T.S.
DWG. BY: JK
CHK. BY: LFS
DRAWING NO.: TX-4262
SHEET 4 OF 12



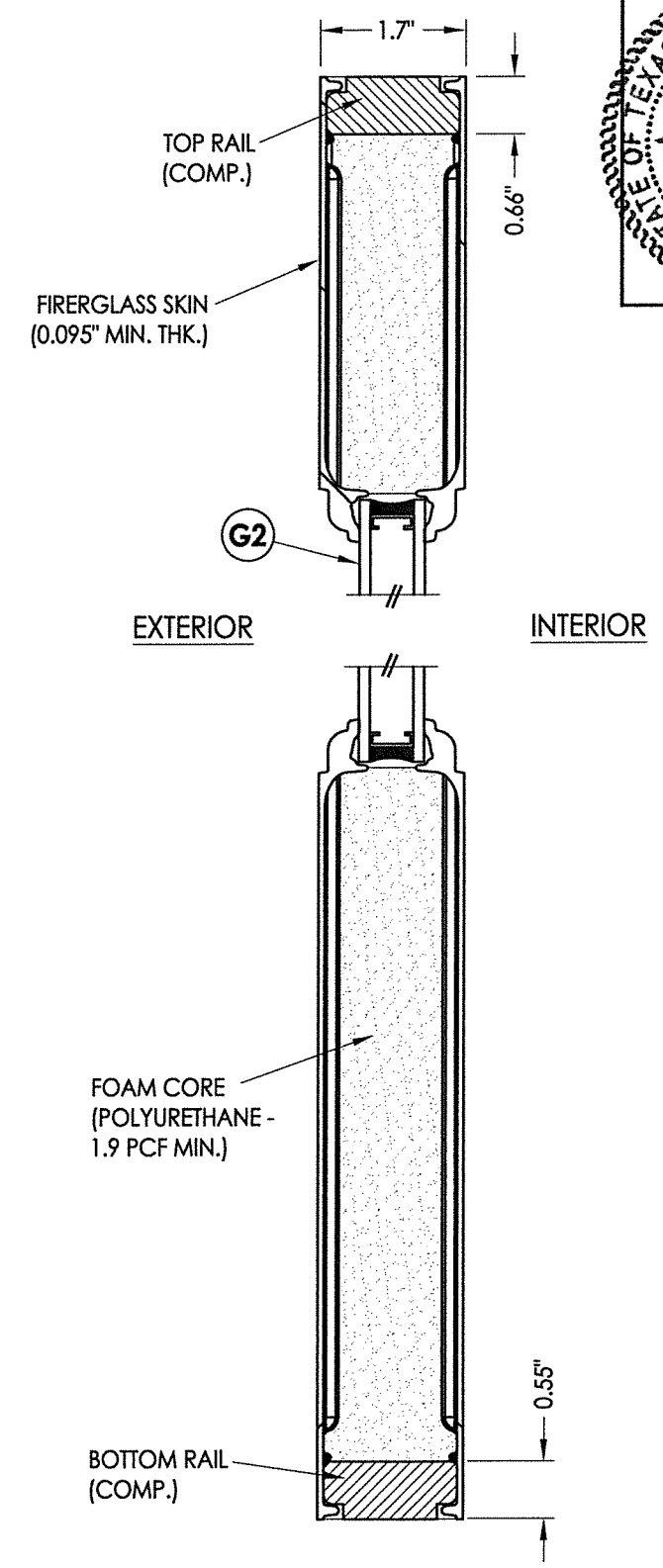
51 SIDELITE PANEL
Classic Craft



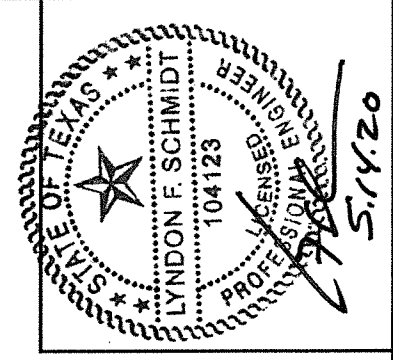
1 HORIZONTAL CROSS SECTION
5



G2 GLAZING DETAIL
Flush Glazed



2 VERTICAL CROSS SECTION
5



Documents Prepared By: Lyndon F. Schmidt, P.E.
TEXAS P.E. #104123

RW BUILDING CONSULTANTS, INC.
P.O. Box 230 Vairico FL 33595
Phone No.: 813.659.9197

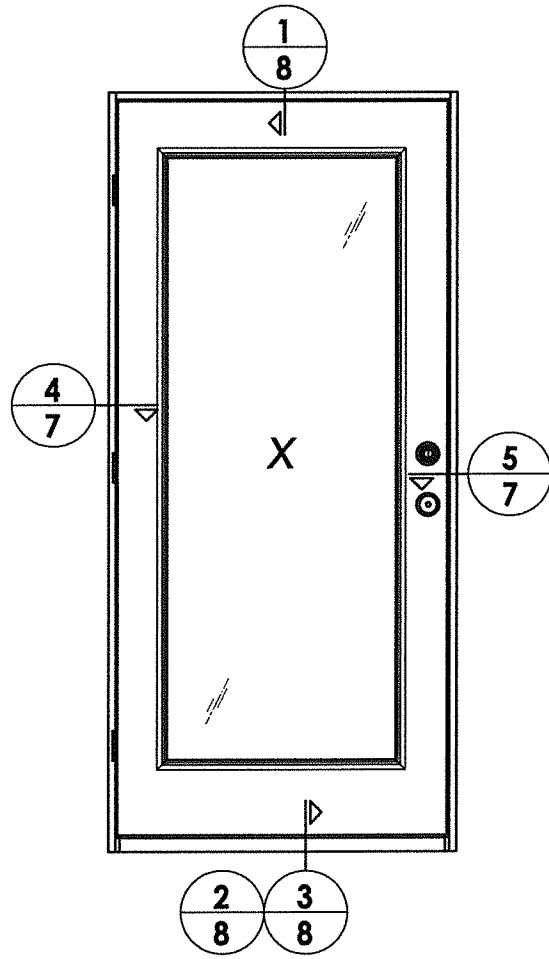
TEXAS BOARD OF PROFESSIONAL ENGINEERS
CERTIFICATE OF REGISTRATION # F-11852

PRODUCT: THERMA-TRU
FIBERGLASS DOOR

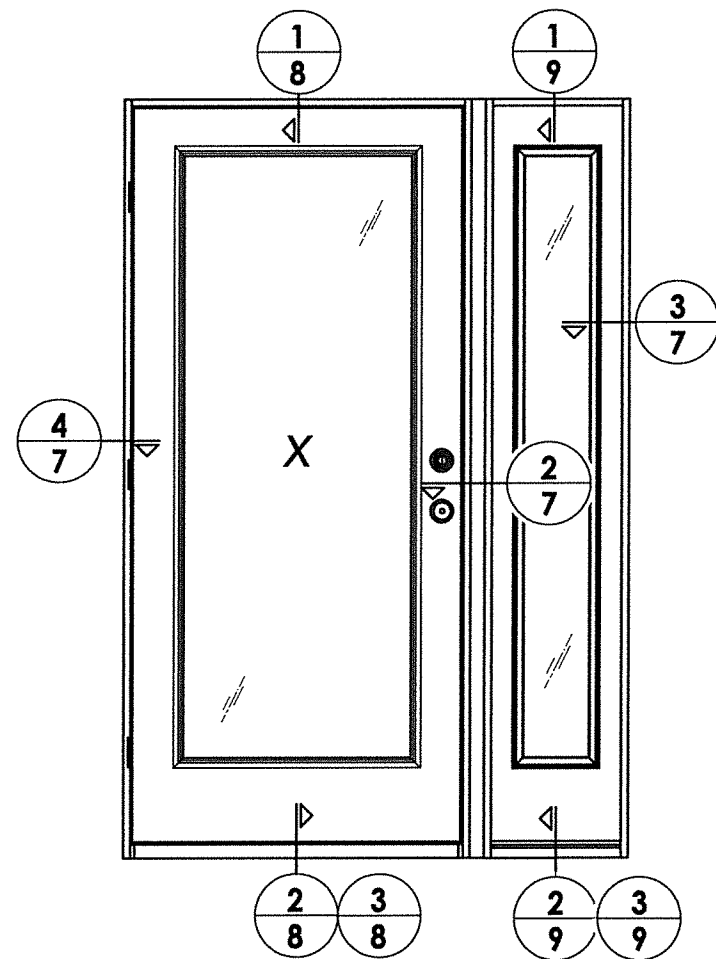
PART OR ASSEMBLY:
SIDELITE PANEL & GLAZING DETAIL
(CLASSIC CRAFT)

NO.	DATE	BY	REVISIONS
3	5/14/20	LFS	UPDATE TO 2018 IBC/IRC CODE
2	9/05/18	LFS	REVISED LITE SCREW SPACING
1	7/22/15	LFS	ADDED GENERAL NOTE 5.

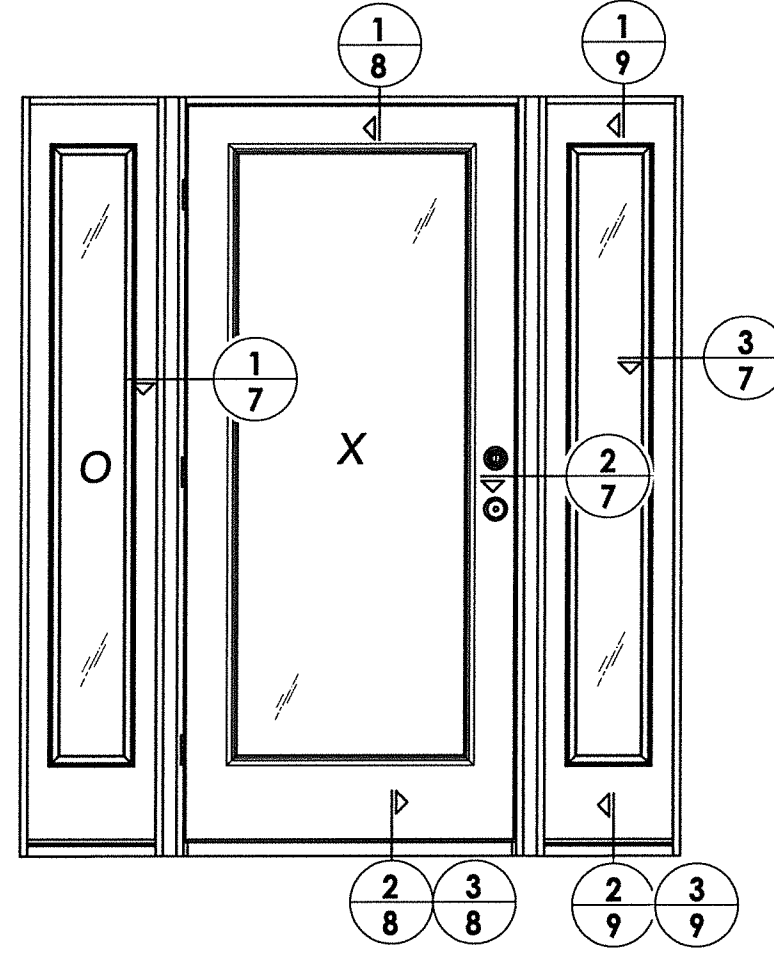
DATE: 10/08/12
SCALE: N.T.S.
DWG. BY: JK
CHK. BY: LFS
DRAWING NO.: TX-4262
SHEET 5 OF 12



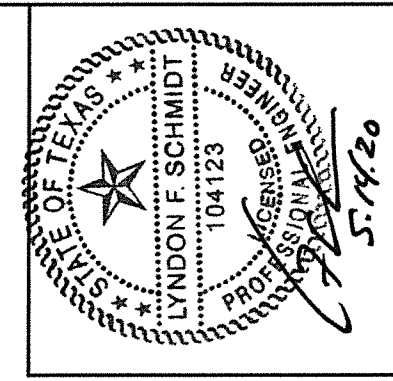
ELEVATION (X)



ELEVATION (OX / XO)



ELEVATION (OXO)



Documents Prepared By: Lyndon F. Schmidt, P.E.
TEXAS P.E. #104123

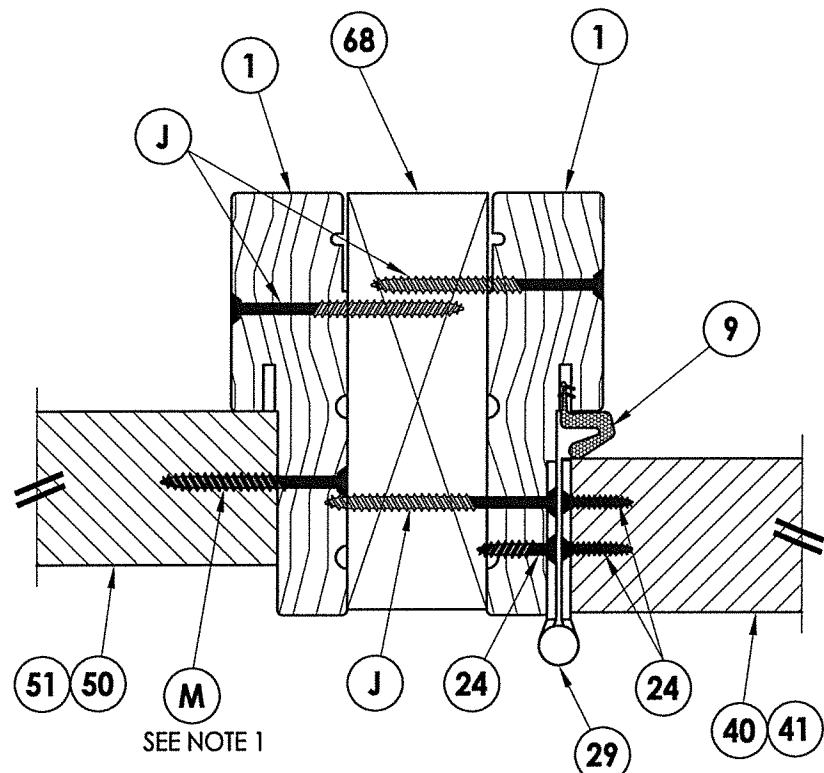
RW BUILDING CONSULTANTS, INC.
P.O. Box 230 Vairico FL 33595
Phone No.: 813.659.9197
TEXAS BOARD OF PROFESSIONAL ENGINEERS
CERTIFICATE OF REGISTRATION # F-11852

PRODUCT: THERMA-TRU FIBERGLASS DOOR
PART OR ASSEMBLY: ELEVATIONS

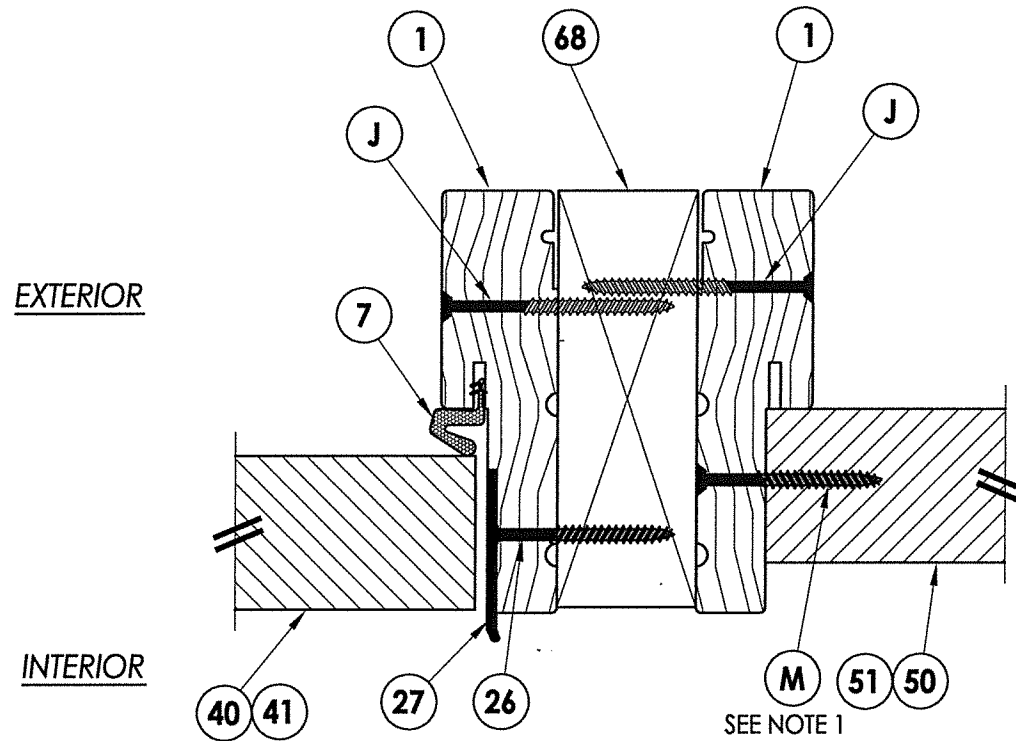
NO.	DATE	REVISIONS	BY
3	5/14/20	UPDATE TO 2018 IBC/IRC CODE	LFS
2	9/05/18	REVISED LITE SCREW SPACING	LFS
1	7/22/15	ADDED GENERAL NOTE 5.	LFS

DATE: 10/08/12
SCALE: N.T.S.
DWG. BY: JK
CHK. BY: LFS
DRAWING NO.: TX-4262
SHEET 6 OF 12

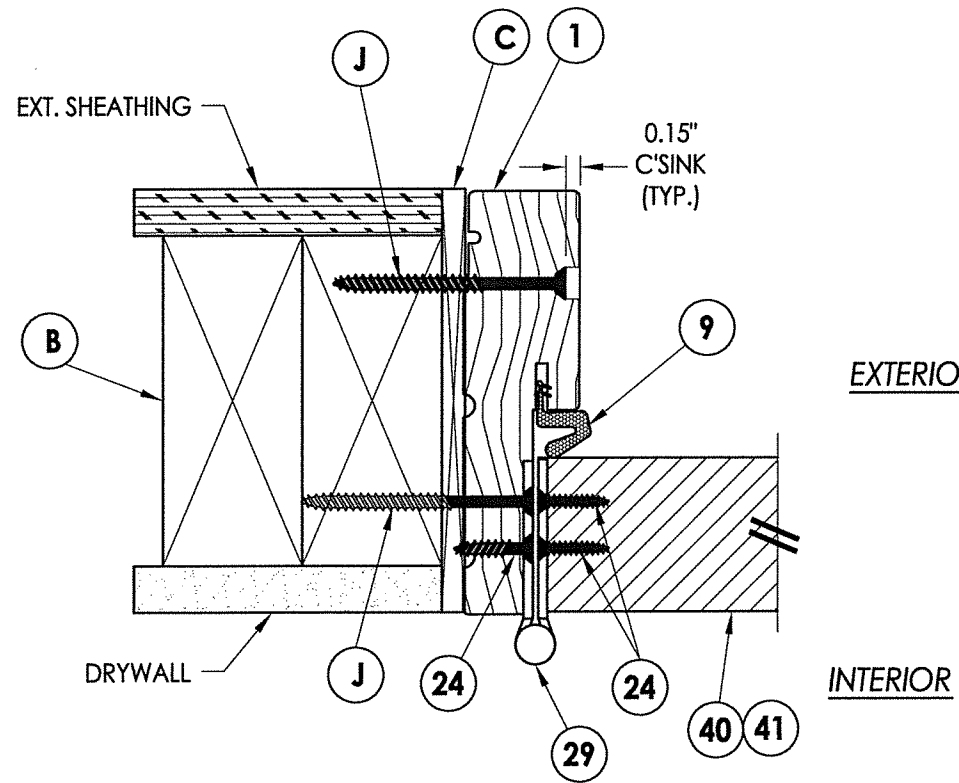
R:\Clients\Therma Tru PERMANENT\B - Texas Dept of Ins\TDI - DR 602 - 68 - 80 Glazed FG NonImp IS - OS Sgls Dbls w SLIC - Drawings\TX-4262-63.dwg, 7



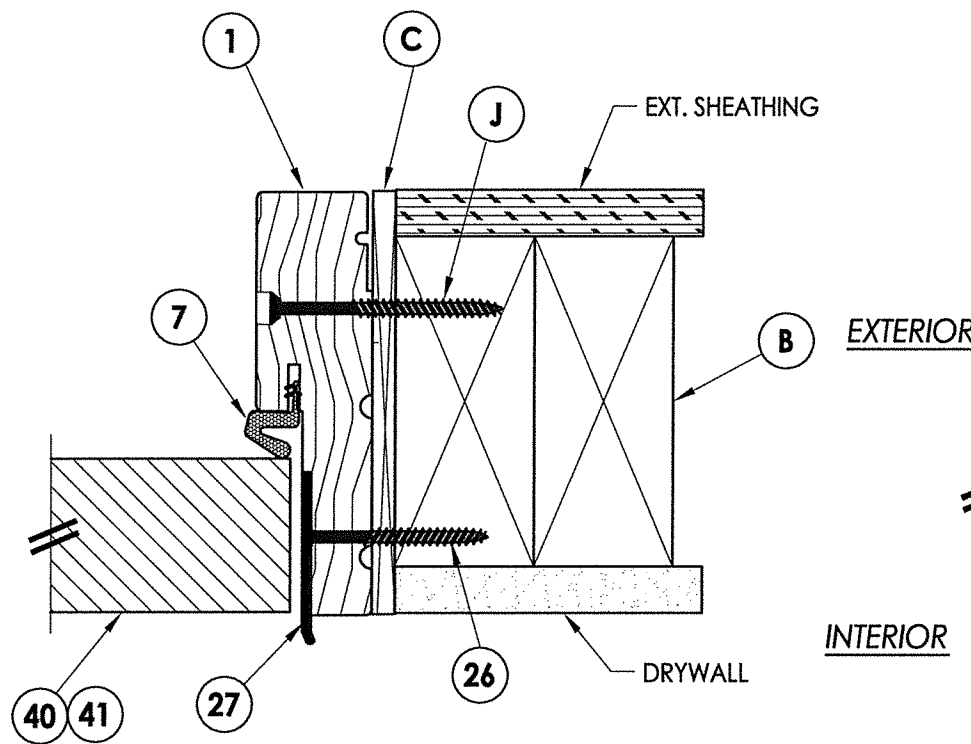
1 HORIZONTAL CROSS SECTION
7 Inswing shown - Outswing also approved



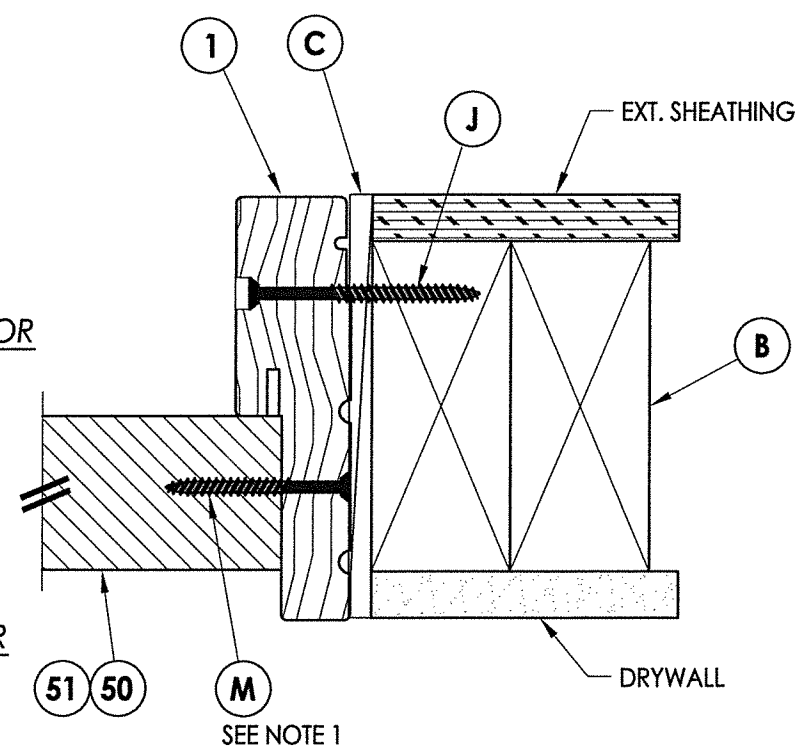
2 HORIZONTAL CROSS SECTION
7 Inswing shown - Outswing also approved



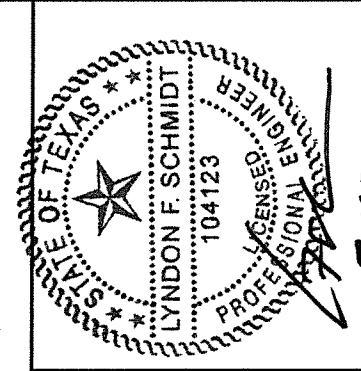
4 HORIZONTAL CROSS SECTION
7 Inswing shown - Outswing also approved



5 HORIZONTAL CROSS SECTION
7 Inswing shown - Outswing also approved



3 HORIZONTAL CROSS SECTION
7 Inswing shown - Outswing also approved



Note:
 1. Sidelite assembly screws located
 11-1/2" from each end plus 1 more
 at the center of jamb (3 total).

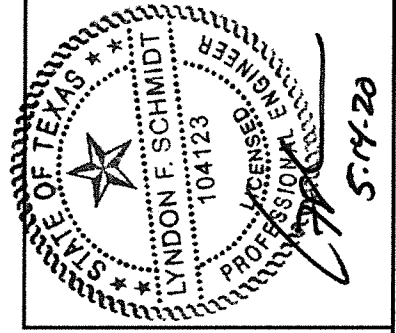
Documents Prepared By: Lyndon F. Schmidt, P.E.
 TEXAS P.E. #104123

RW BUILDING CONSULTANTS, INC.
 P.O. Box 230 Valrico FL 33595
 Phone No.: 813.659.9197
 TEXAS BOARD OF PROFESSIONAL ENGINEERS
 CERTIFICATE OF REGISTRATION # F-11852

PRODUCT: THERMA-TRU
 FIBERGLASS DOOR
 PART OR ASSEMBLY:
 HORIZONTAL CROSS SECTIONS

NO.	DATE	BY	REVISIONS
3	5/14/20	LFS	UPDATE TO 2018 IBC/IRC CODE
2	9/05/18	LFS	REVISED LITE SCREW SPACING
1	7/22/15	LFS	ADDED GENERAL NOTE 5.

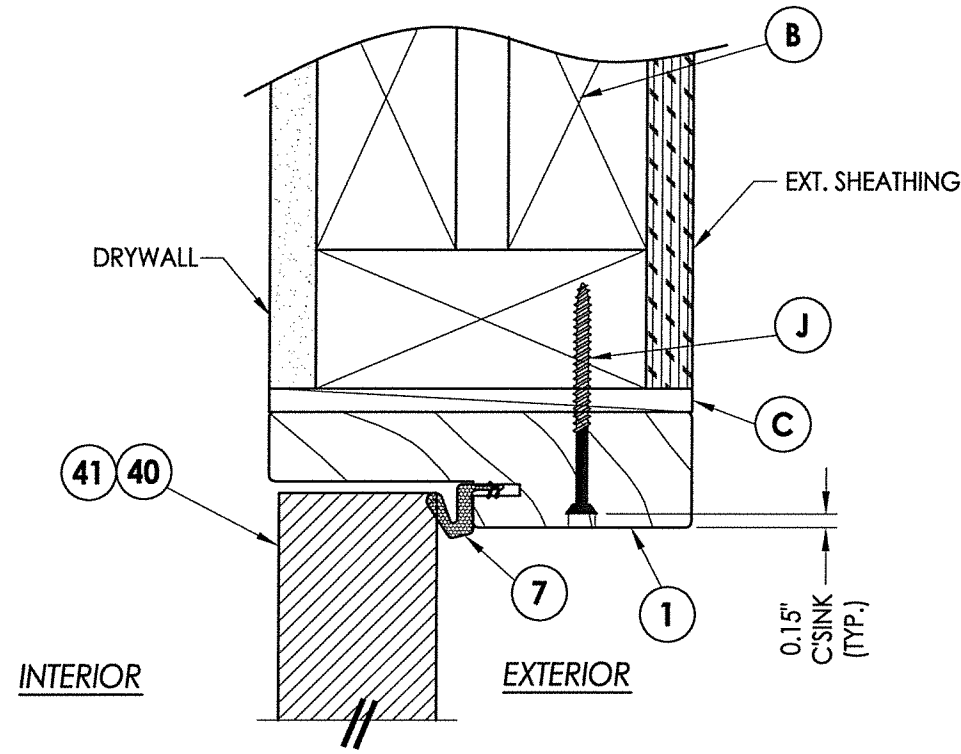
DATE: 10/08/12
 SCALE: N.T.S.
 DWG. BY: JK
 CHK. BY: LFS
 DRAWING NO.: TX-4262
 SHEET 7 OF 12



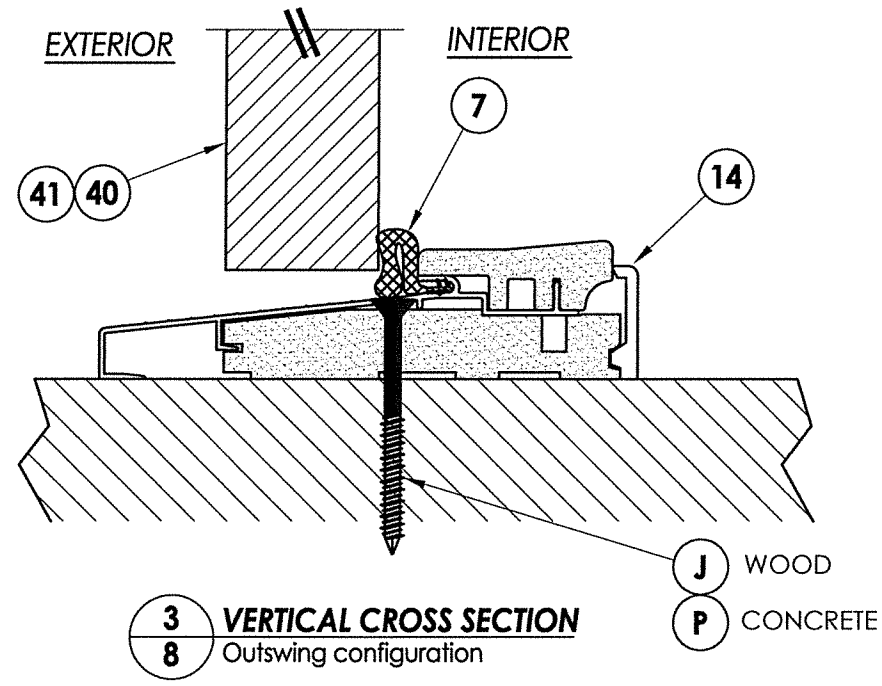
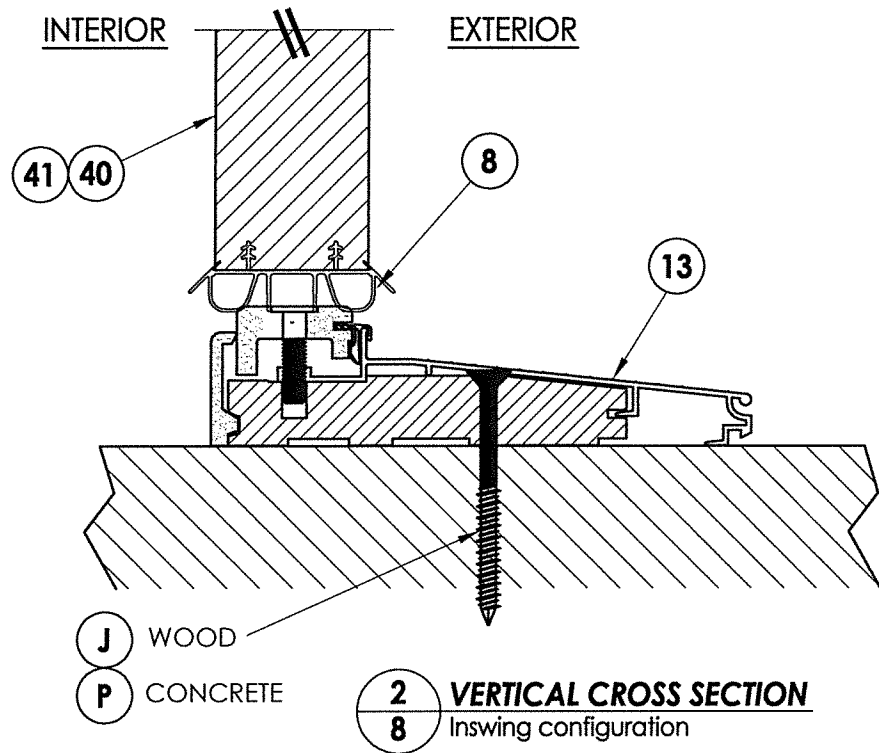
Documents Prepared By: Lyndon F. Schmidt, P.E.
TEXAS P.E. #104123

RW BUILDING CONSULTANTS, INC.
P.O. Box 230 Valrico FL 33595
Phone No.: 813.659.9197

TEXAS BOARD OF PROFESSIONAL ENGINEERS
CERTIFICATE OF REGISTRATION # F-11852



1 VERTICAL CROSS SECTION
8 Inswing shown - Outswing also approved



PRODUCT: THERMA-TRU
FIBERGLASS DOOR

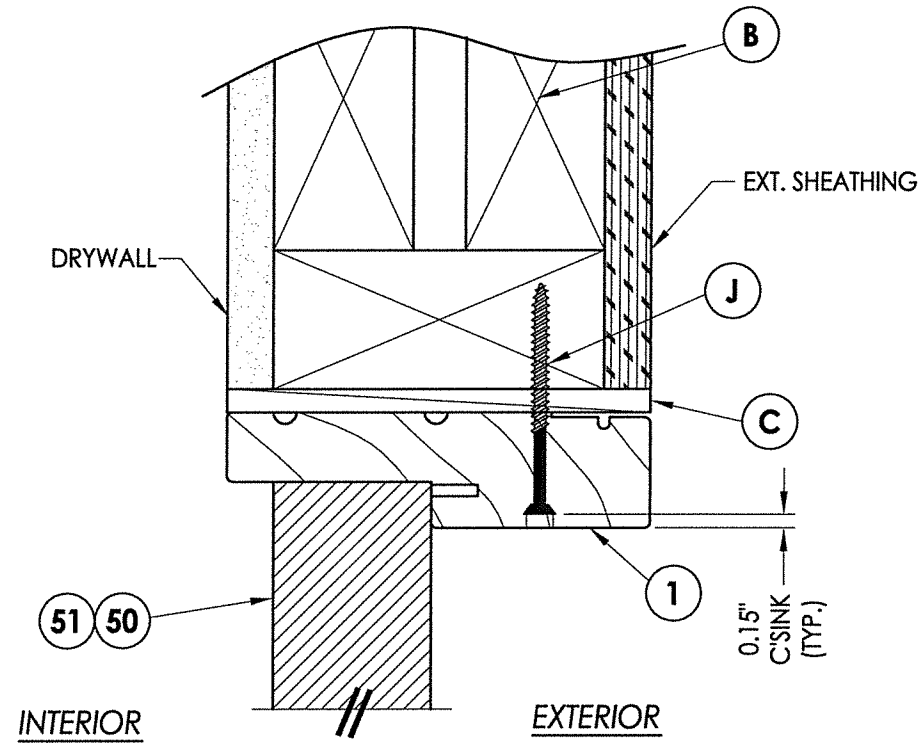
PART OR ASSEMBLY:
VERTICAL CROSS SECTIONS

NO.	DATE	REVISIONS	BY
3	5/14/20	UPDATE TO 2018 IBC/IRC CODE	LFS
2	9/05/18	REVISED LITE SCREW SPACING	LFS
1	7/22/15	ADDED GENERAL NOTE 5.	LFS

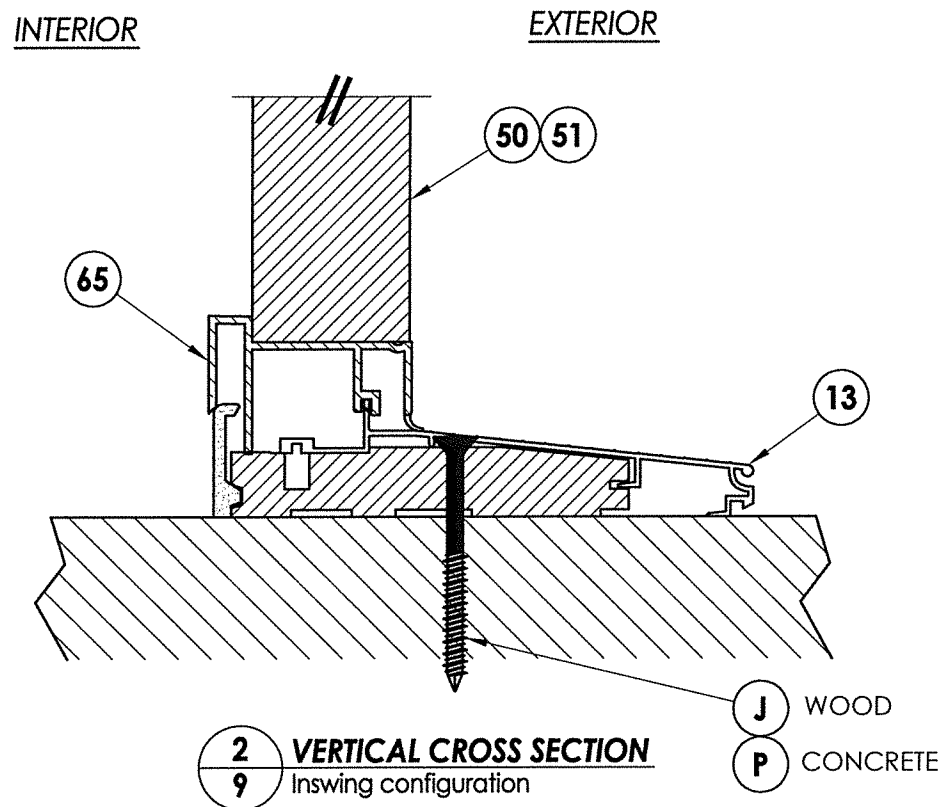
DATE: 10/08/12
SCALE: N.T.S.
DWG. BY: JK
CHK. BY: LFS
DRAWING NO.: TX-4262

SHEET 8 OF 12

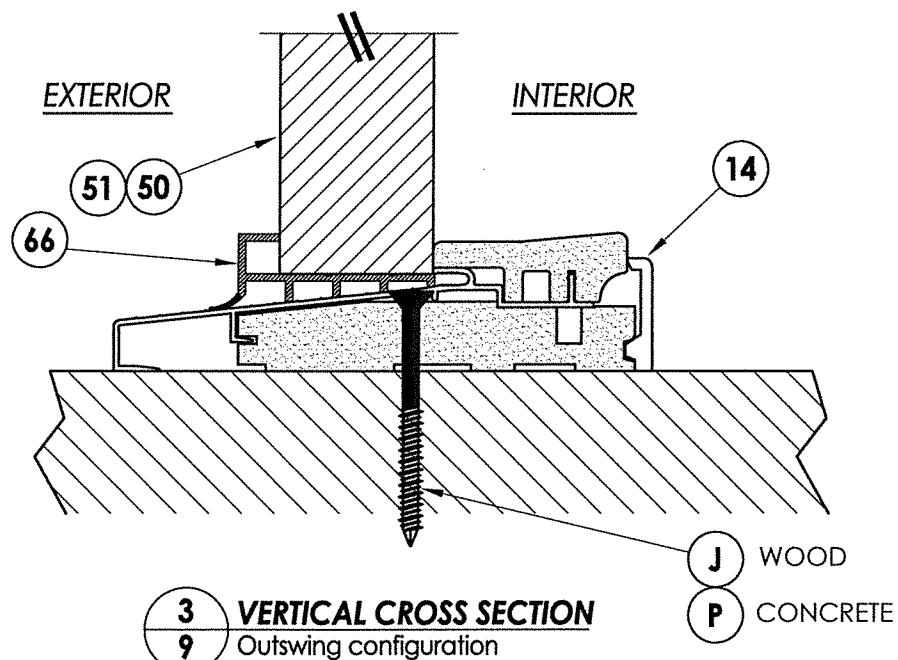
R:\Clients\Therma Tru PERMANENT\B - Texas Dept of Ins\TDL - DR 602 - 68 - 80 Glazed FG NonImp IS - OS Sgls DbIs w SLIC - Drawings\TX-4262-63.dwg, 9



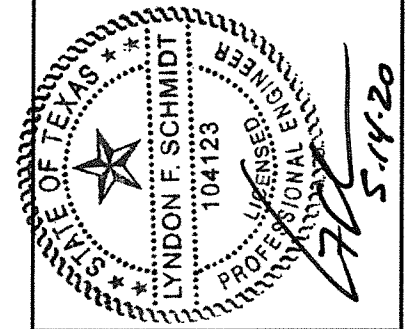
1 VERTICAL CROSS SECTION
 9 Inswing shown - Outswing also approved



2 VERTICAL CROSS SECTION
 9 Inswing configuration



3 VERTICAL CROSS SECTION
 9 Outswing configuration



Documents Prepared By: Lyndon F. Schmidt, P.E.
 TEXAS P.E. #104123

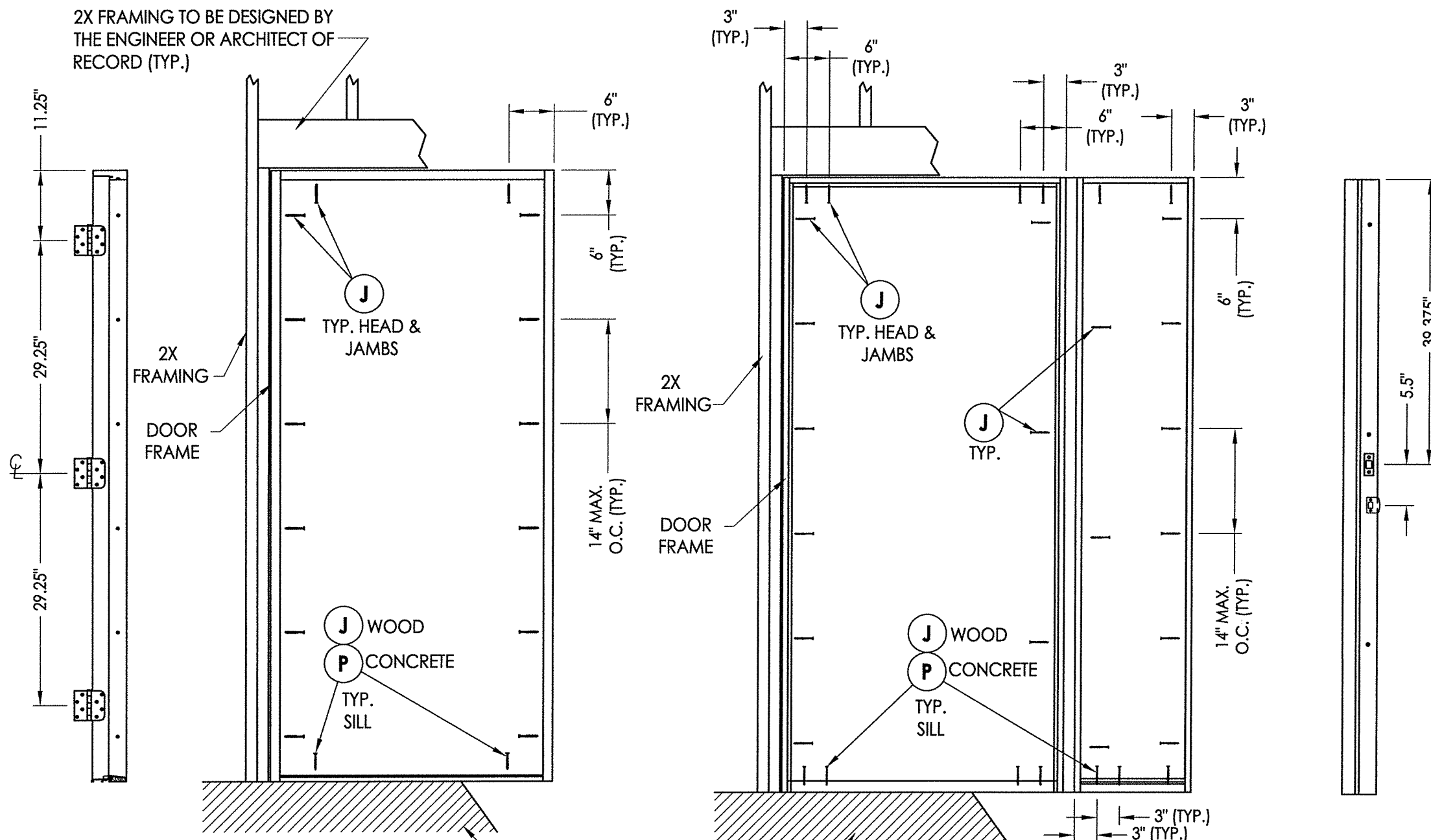
RW BUILDING CONSULTANTS, INC.
 P.O. Box 230 Vairico FL 33595
 Phone No.: 813.659.9197

TEXAS BOARD OF PROFESSIONAL ENGINEERS
 CERTIFICATE OF REGISTRATION # F-11852

PRODUCT: THERMA-TRU FIBERGLASS DOOR
 PART OR ASSEMBLY: VERTICAL CROSS SECTIONS

NO.	DATE	REVISIONS
3	5/14/20	UPDATE TO 2018 IBC/IRC CODE
2	9/05/18	REVISED LITE SCREW SPACING
1	7/22/15	ADDED GENERAL NOTE 5.

DATE: 10/08/12
 SCALE: N.T.S.
 DWG. BY: JK
 CHK. BY: LFS
 DRAWING NO.: TX-4262
 SHEET 9 OF 12



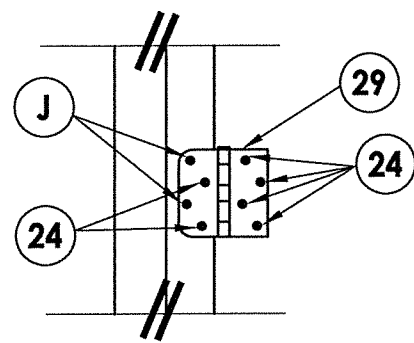
HINGE JAMB

FRAME ANCHORING
X

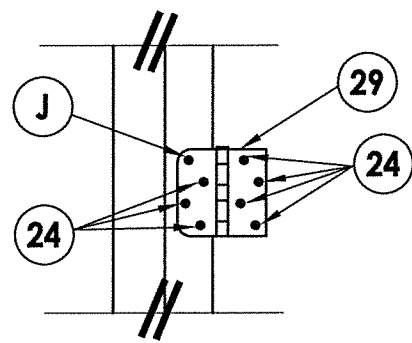
FRAME ANCHORING
OX / XO

STRIKE JAMB

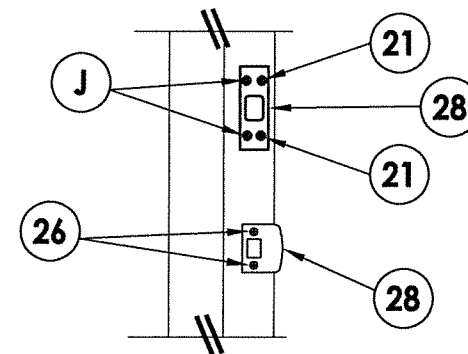
FLOOR SUBSTRATE MATERIAL
CONCRETE (MIN. 3000 PSI)
WOOD (S.G. >= 0.42)



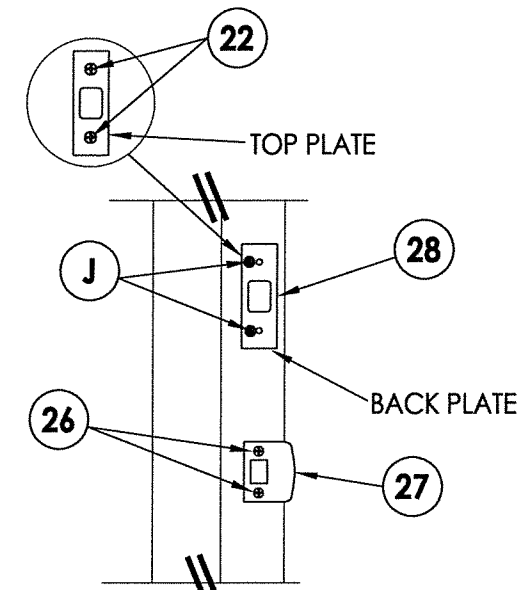
HINGE DETAIL
Inswing



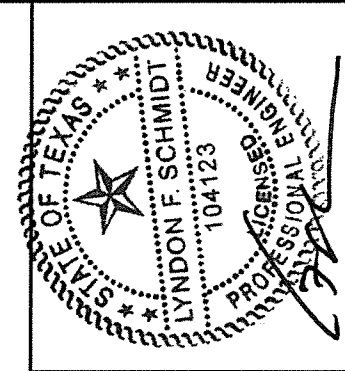
HINGE DETAIL
Outswing



LATCH & DEADBOLT STRIKE DETAIL
Kwiket Hardware - Standard Strike



LATCH & DEADBOLT STRIKE DETAIL
Schlage Hardware - Standard Strike



5-14-20

Documents Prepared By: Lyndon F. Schmidt, P.E.
TEXAS P.E. #104123

RW BUILDING CONSULTANTS, INC.
P.O. Box 230 Vairico FL 33595
Phone No.: 813.659.9197

TEXAS BOARD OF PROFESSIONAL ENGINEERS
CERTIFICATE OF REGISTRATION # F-11852

PRODUCT: THERMA-TRU FIBERGLASS DOOR

PART OR ASSEMBLY: FRAME ANCHORING

NO.	DATE	BY	REVISIONS
3	5/14/20	LFS	UPDATE TO 2018 IBC/IRC CODE
2	9/05/18	LFS	REVISED LITE SCREW SPACING
1	7/22/15	LFS	ADDED GENERAL NOTE 5.

DATE: 10/08/12

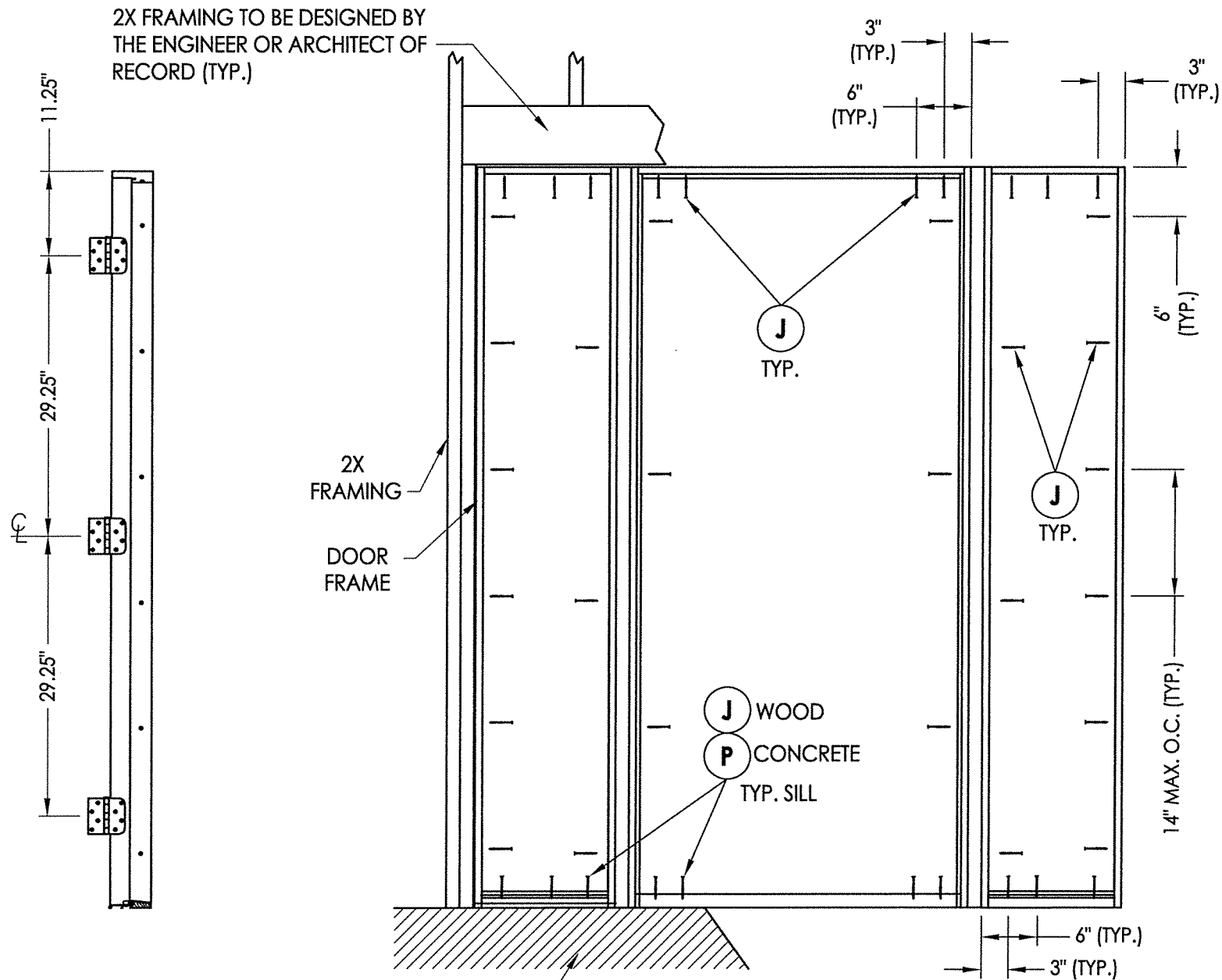
SCALE: N.T.S.

DWG. BY: JK

CHK. BY: LFS

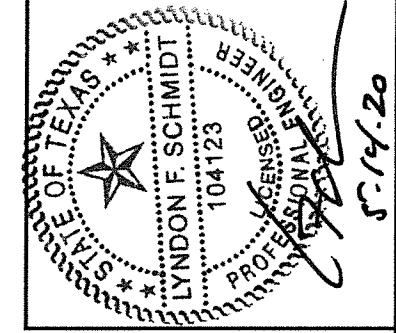
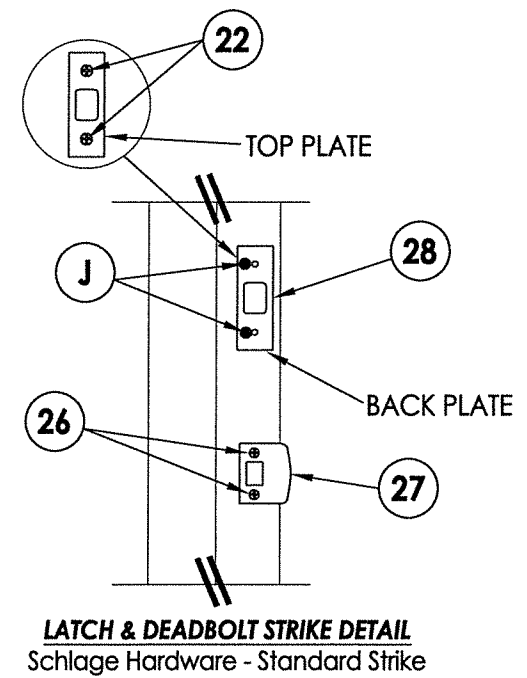
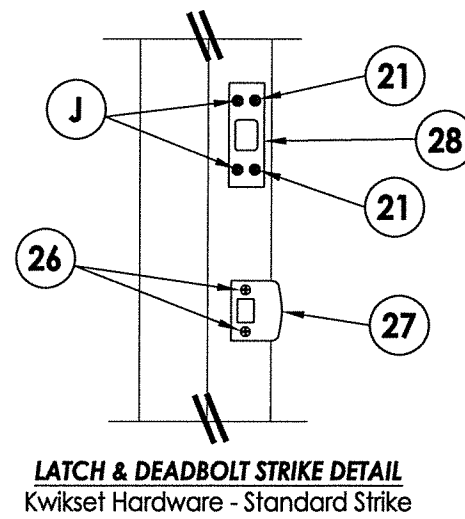
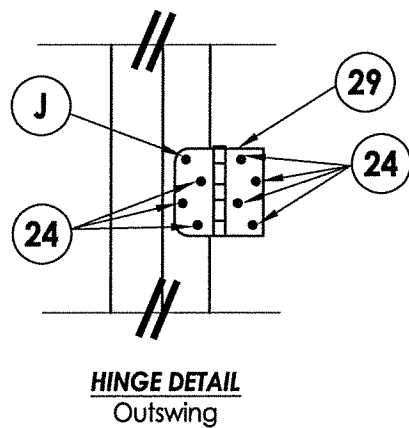
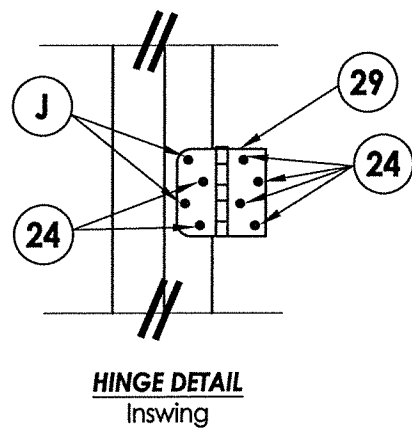
DRAWING NO.: TX-4262

SHEET 10 OF 12



FLOOR SUBSTRATE MATERIAL
CONCRETE (MIN. 3000 PSI)
WOOD (S.G. >= 0.42)

FRAME ANCHORING
OXO



Documents Prepared By: Lyndon F. Schmidt, P.E.
TEXAS P.E. #104123

RW BUILDING CONSULTANTS, INC.
P.O. Box 230 Vairco FL 33595
Phone No.: 813.659.9197

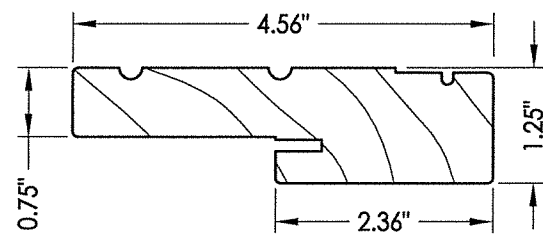
TEXAS BOARD OF PROFESSIONAL ENGINEERS
CERTIFICATE OF REGISTRATION # F-11852

PRODUCT:	THERMA-TRU FIBERGLASS DOOR
PART OR ASSEMBLY:	FRAME ANCHORING

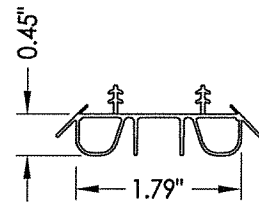
NO.	DATE	BY	REVISIONS
3	5/14/20	LFS	UPDATE TO 2018 IBC/IRC CODE
2	9/05/18	LFS	REVISED LITE SCREW SPACING
1	7/22/15	LFS	ADDED GENERAL NOTE 5.

DATE:	10/08/12
SCALE:	N.T.S.
DWG. BY:	JK
CHK. BY:	LFS
DRAWING NO.:	TX-4262
SHEET	11 OF 12

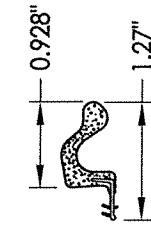
BILL OF MATERIALS		
ITEM #	DESCRIPTION	MATERIAL
B	2X BUCK (G >= 0.42)	WOOD
C	1/4" MAX. SHIM SPACE	-
J	#10 X 2-1/2" PFH WOOD SCREW (MIN. EMB. = 1.15" HEAD/JAMBS, 1-1/2" SILL)	STEEL
M	#10 X 2" PFH WOOD SCREW	STEEL
P	1/4" PFH ELCO OR ITW CONCRETE SCREW (1-3/4" MIN. EMB.)	STEEL
1	JAMB - FINGER JOINTED PINE	WOOD
7	WEATHERSTRIP (Long Reach by Therma-Tru)	FOAM
8	SWEEP	VINYL
9	WEATHERSTRIP (Medium Reach by Therma-Tru)	FOAM
13	INSWING THRESHOLD	ALUM/COMP
14	OUTSWING THRESHOLD	ALUM/COMP
21	#8 X 5/8" PFH WOOD SCREW	STEEL
22	10-32 X 3/8" PFH MACHINE SCREW	STEEL
24	#10 x 1" PFH WOOD SCREW	STEEL
26	#8 x 2" PFH WOOD SCREW	STEEL
27	LATCH STRIKE PLATE	STEEL
28	DEADBOLT STRIKE PLATE	STEEL
29	4" X 4" HINGE	STEEL
40	DOOR PANEL (SMOOTH STAR/FIBER CLASSIC)	-
41	DOOR PANEL (CLASSIC CRAFT)	-
50	SIDELITE PANEL (SMOOTH STAR/FIBER CLASSIC)	-
51	SIDELITE PANEL (CLASSIC CRAFT)	-
65	INSWING SIDELITE ADAPTER	PVC
66	OUTSWING SIDELITE ADAPTER	PVC
68	2X MULLION (G >= 0.55)	WOOD



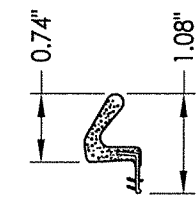
1 WOOD JAMB



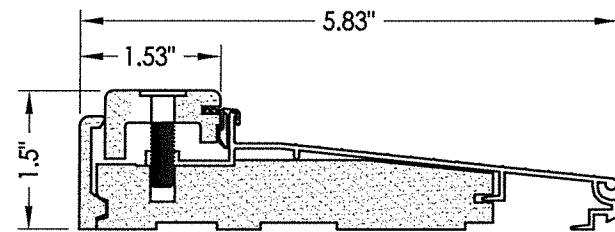
8 SWEEP



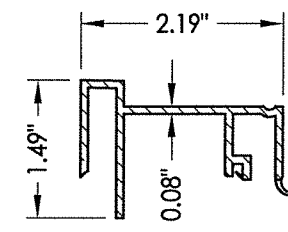
7 WEATHERSTRIP Long Reach



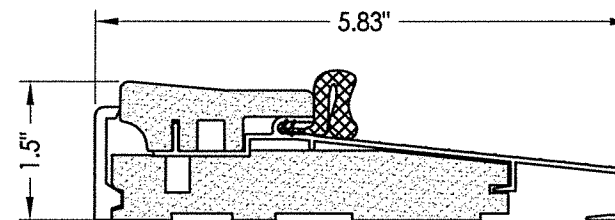
9 WEATHERSTRIP Medium Reach



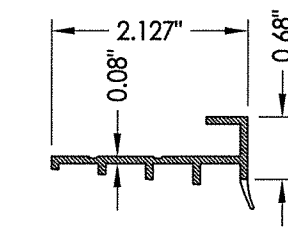
13 INSWING THRESHOLD



65 INSWING SIDELITE ADAPTER



14 OUTSWING THRESHOLD

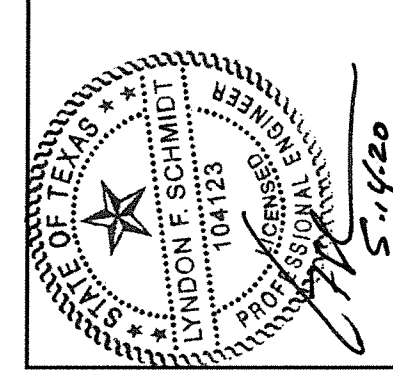


66 OUTSWING SIDELITE ADAPTER

CONCRETE ANCHOR NOTES:

- Concrete anchor locations at the corners may be adjusted to maintain the min. edge distance to mortar joints.
- Concrete anchor locations noted as "MAX. ON CENTER" must be adjusted to maintain the min. edge distance to mortar joints, additional concrete anchors may be required to ensure the "MAX. ON CENTER" dimension are not exceeded.
- Concrete anchor table:

ANCHOR TYPE	ANCHOR SIZE	MIN. EMBEDMENT	MIN. CLEARANCE TO MASONRY EDGE	MIN. CLEARANCE TO ADJACENT ANCHOR
ITW TAPCON®	1/4"	1-3/4"	2-1/2"	3"
ELCO ULTRACON®	1/4"	1-3/4"	1"	3"



Documents Prepared By: Lyndon F. Schmidt, P.E.
TEXAS P.E. #104123

RW BUILDING CONSULTANTS, INC.
P.O. Box 230 Valrico FL 33595
Phone No.: 813.659.9197

TEXAS BOARD OF PROFESSIONAL ENGINEERS
CERTIFICATE OF REGISTRATION # F-11852

PRODUCT: THERMA-TRU FIBERGLASS DOOR

PART OR ASSEMBLY: BILL OF MATERIALS & COMPONENTS

NO.	DATE	REVISIONS	BY
3	5/14/20	UPDATE TO 2018 IBC/IRC CODE	LFS
2	9/05/18	REVISED LITE SCREW SPACING	LFS
1	7/22/15	ADDED GENERAL NOTE 5.	LFS

DATE: 10/08/12
SCALE: N.T.S.
DWG. BY: JK
CHK. BY: LFS
DRAWING NO.: TX-4262
SHEET 12 OF 12