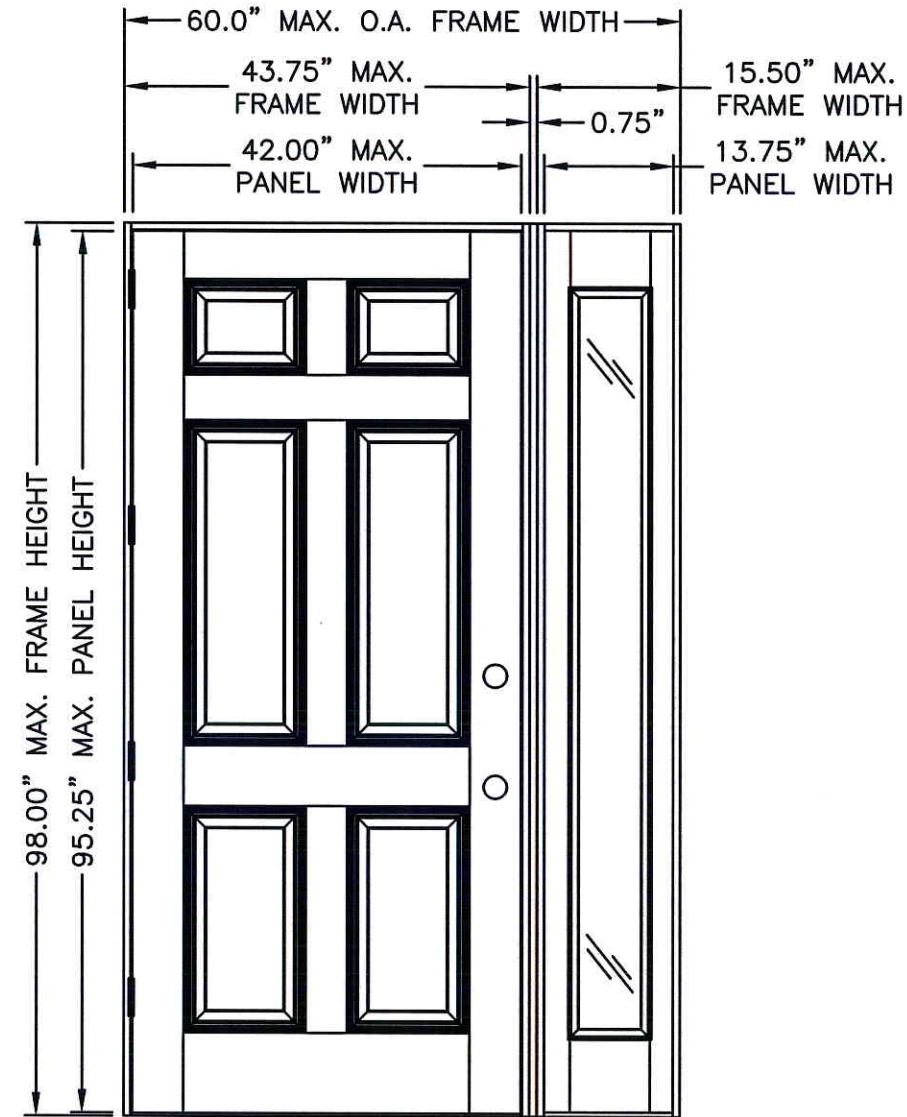


THERMA TRU®

118 INDUSTRIAL DR., EDGERTON, OH 43517
TEL. (419)298-1740

CLASSIC CRAFT & CLASSIC CRAFT RUSTIC SINGLE "IMPACT" DOOR WITH "NON-IMPACT" SIDELITE INSWING / OUTSWING



"CLASSIC CRAFT" & "CLASSIC CRAFT RUSTIC"

EVALUATED FOR USE IN THE STATE OF TEXAS

The Fiberglass Opaque Door described herein complies with the 2006 International Residential Code (IRC), Sections R301 & R613 and the 2006 International Building Code (IBC), Sections 1405.12, 1609, 1714.5, 2403 and 2404 (including Texas revisions) subject to the following conditions:

1. Anchors shall be as listed and spaced as shown in the details. Anchor embedment to base material shall be beyond wall dressing or stucco.
2. The opaque door has been tested and evaluated as a large missile impact protective system for installation in the Seaward, Inland I and Inland II areas. The opaque door meets missile level "D" as defined in ASTM E 1996. The non-impact sidelites require an impact protective system when installed in the Seaward, Inland I and Inland II areas.
3. Allowable design pressure requirements must be equal to or less than the design pressure rating shown in the design pressure chart, sheet 1 of this drawing.
4. Conditions not covered by this drawing are subject to further engineering analysis.

| TABLE OF CONTENTS | |
|-------------------|--|
| SHEET # | DESCRIPTION |
| 1 | TYPICAL ELEVATIONS, DESIGN PRESSURES & GENERAL NOTES |
| 2 | DOOR PANEL DETAILS (CLASSIC CRAFT) |
| 3 | DOOR PANEL DETAILS (CLASSIC CRAFT RUSTIC) |
| 4 | SIDELITE PANEL DETAILS |
| 5 | HORIZONTAL CROSS SECTIONS & GLAZING DETAILS |
| 6 | VERTICAL CROSS SECTIONS |
| 7 | VERTICAL CROSS SECTIONS |
| 8 | FRAME ANCHORING |
| 9 | COMPONENTS |
| 10 | BILL OF MATERIALS |

| DOOR TYPE | SWING | OVERALL FRAME DIMENSION | OVERALL SIDELITE D.L.O. DIMENSION | DESIGN PRESSURE | |
|----------------------|----------|-------------------------|-----------------------------------|-----------------|----------|
| | | | | POSITIVE | NEGATIVE |
| CLASSIC CRAFT | OUTSWING | 60.0" X 96.50" | 6.75" | +65.0 | -65.0 |
| | INSWING | 60.0" X 98.00" | | +65.0 | -65.0 |
| CLASSIC CRAFT RUSTIC | OUTSWING | 60.0" X 96.50" | 79.00" | +65.0 | -65.0 |
| | INSWING | 60.0" X 98.00" | | +65.0 | -65.0 |



Documents Prepared By: Lyndon F. Schmidt, P.E.
TEXAS P.E. #104123

RW BUILDING CONSULTANTS, INC.
P.O. Box 230 Vairico FL 33595
Phone No.: 813.659.9197

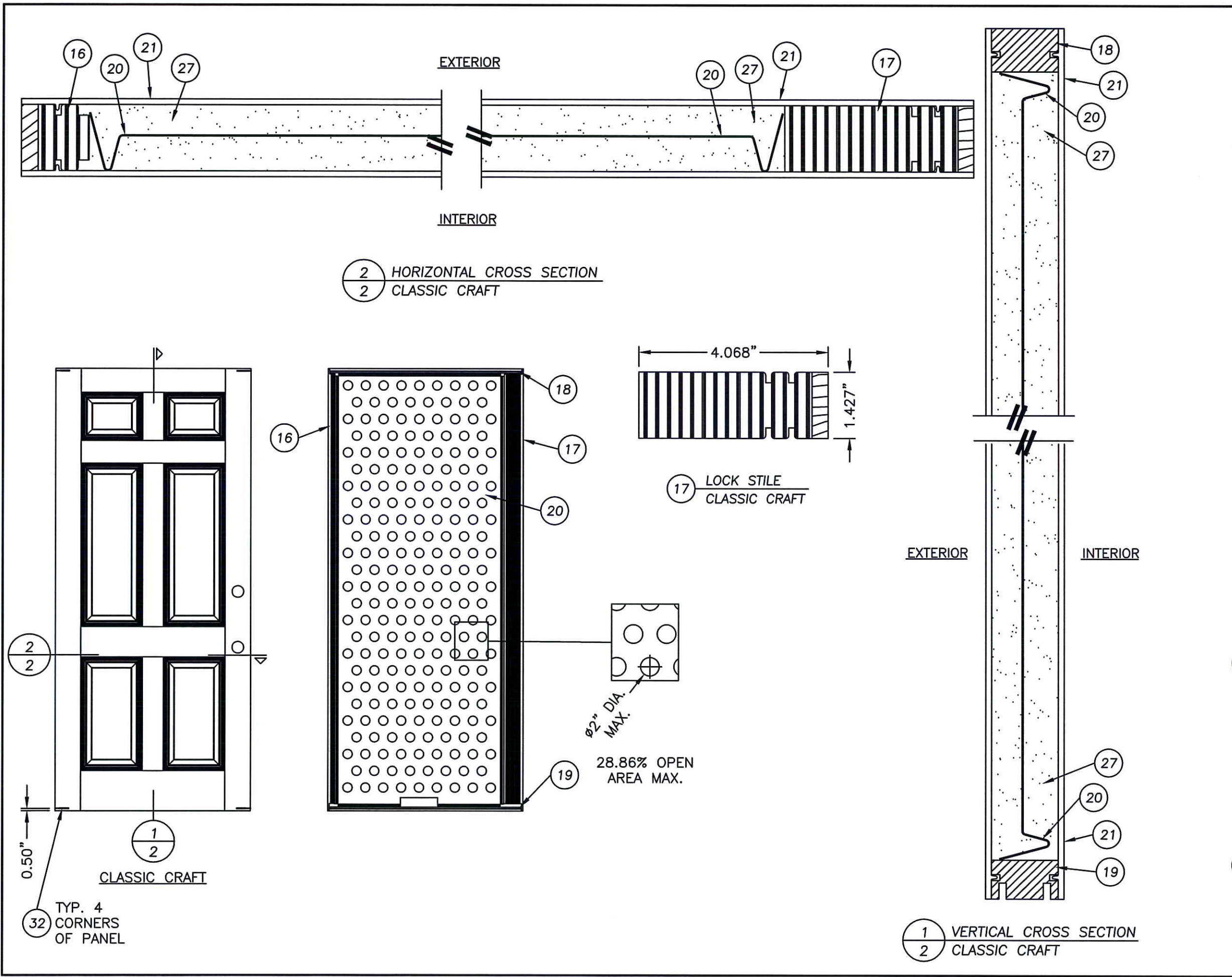
TEXAS BOARD OF PROFESSIONAL ENGINEERS
CERTIFICATE OF REGISTRATION # F-11852

PRODUCT: SINGLE OPAQUE FIBERGLASS DOOR W/SIDELITE "IMPACT" INSWING / OUTSWING
PART OR ASSEMBLY:
TYPICAL ELEVATIONS, DESIGN PRESSURES & GENERAL NOTES

| NO. | DATE | BY | REVISIONS |
|-----|------|----|-----------|
| | | | |
| | | | |
| | | | |

DATE: 7/16/12
SCALE: N.T.S.
DWG. BY: JK
CHK. BY: LFS
DRAWING NO.: TX-4181
SHEET 1 of 10

R:\A - Projects\Project Folders\Proj 1101 - 1200\pf1104\ID. RWBC Drawings\TX-4175-83.dwg, FOX2



Documents Prepared By: Lyndon F. Schmidt, P.E.
TEXAS P.E. #104123

RW BUILDING CONSULTANTS, INC.
P.O. Box 230 Valrico FL 33595
Phone No.: 813.659.9197

TEXAS BOARD OF PROFESSIONAL ENGINEERS
CERTIFICATE OF REGISTRATION # F-11852

PRODUCT: SINGLE OPAQUE
FIBERGLASS DOOR W/SIDELITE
"IMPACT" INSWING / OUTSWING

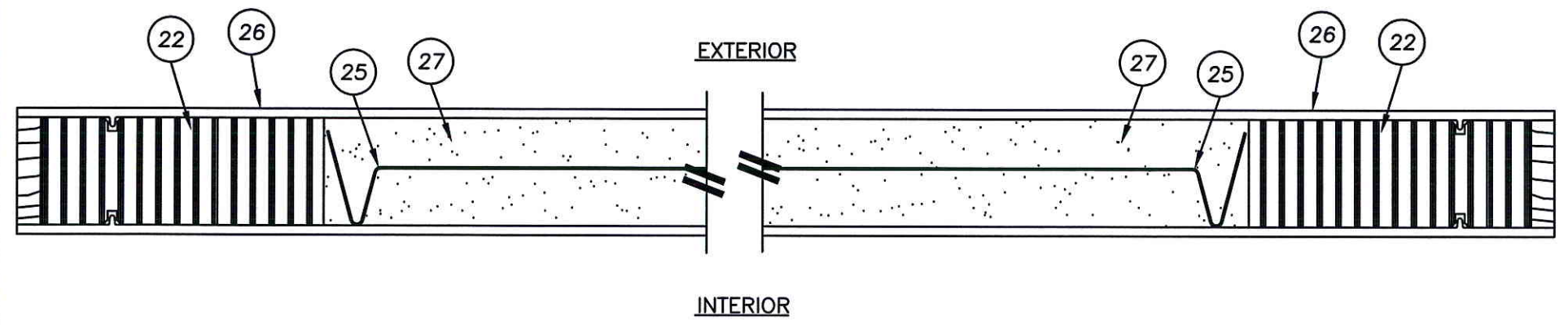
PART OR ASSEMBLY: DOOR PANEL DETAILS
(CLASSIC CRAFT)

| REVISIONS | |
|-----------|------|
| NO. | DATE |
| | |
| | |
| | |
| | |
| | |
| | |
| | |
| | |
| | |
| | |

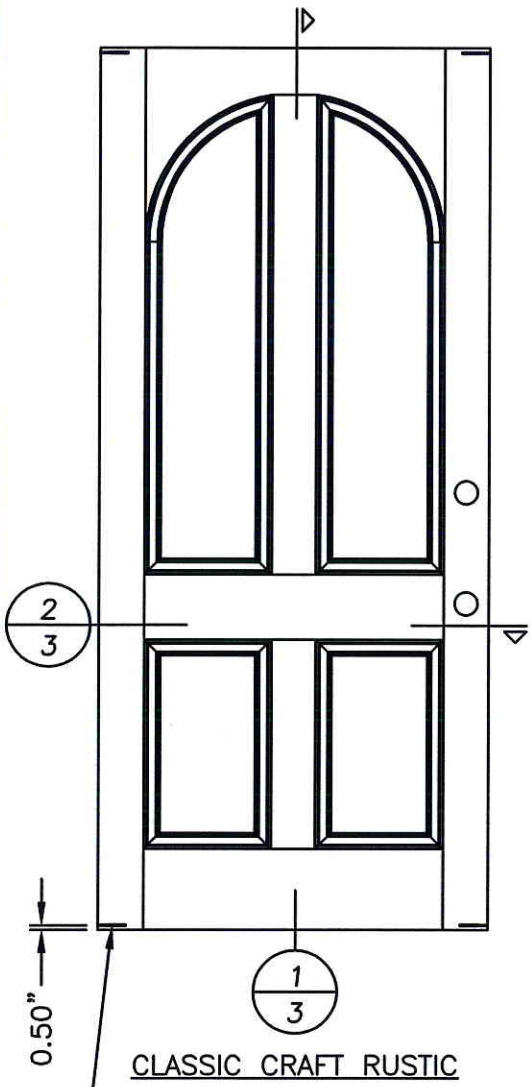
DATE: 7/16/12
SCALE: N.T.S.
DWG. BY: JK
CHK. BY: LFS
DRAWING NO.: TX-4181
SHEET 2 OF 10

© 2012 R.W. BUILDING CONSULTANTS INC.

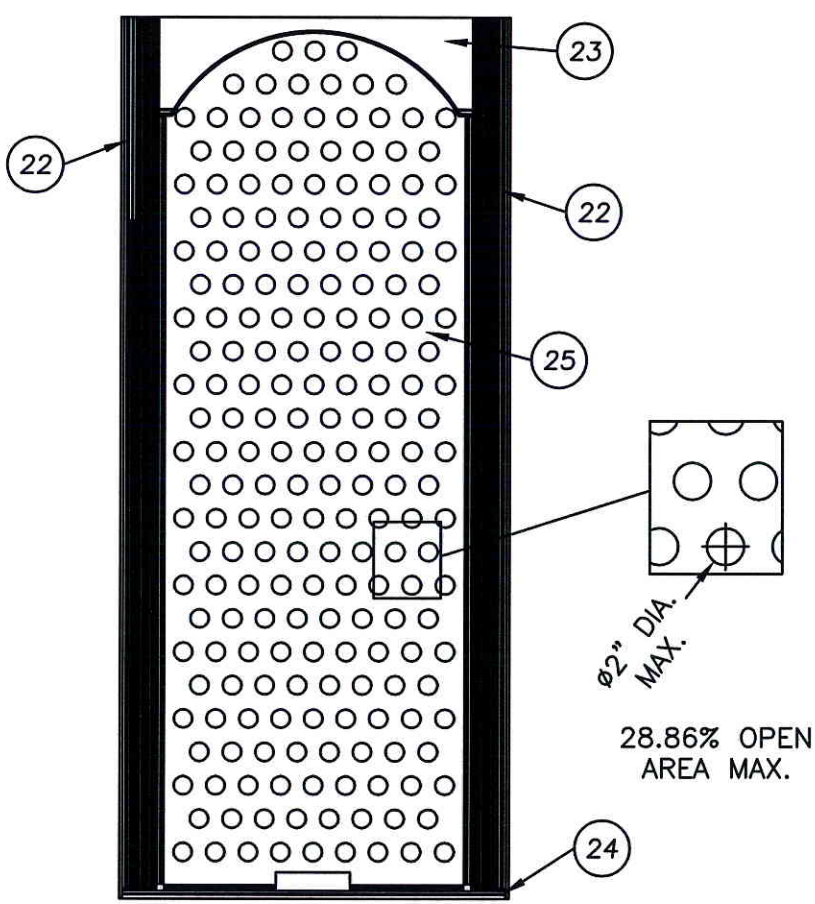
R:\A - Projects\Project Folders\Proj 1101 - 1200\pf1104\ID. RWBC Drawings\TX-4175-83.dwg, FOX3



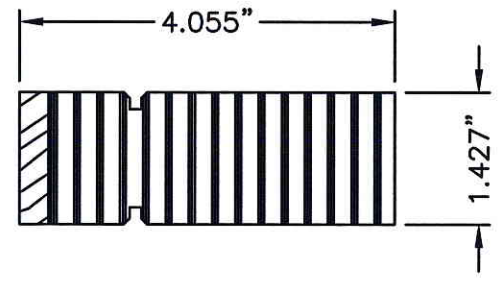
2 HORIZONTAL CROSS SECTION
3 CLASSIC CRAFT RUSTIC



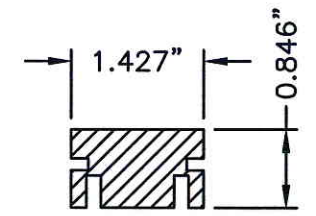
1 VERTICAL CROSS SECTION
3 CLASSIC CRAFT RUSTIC



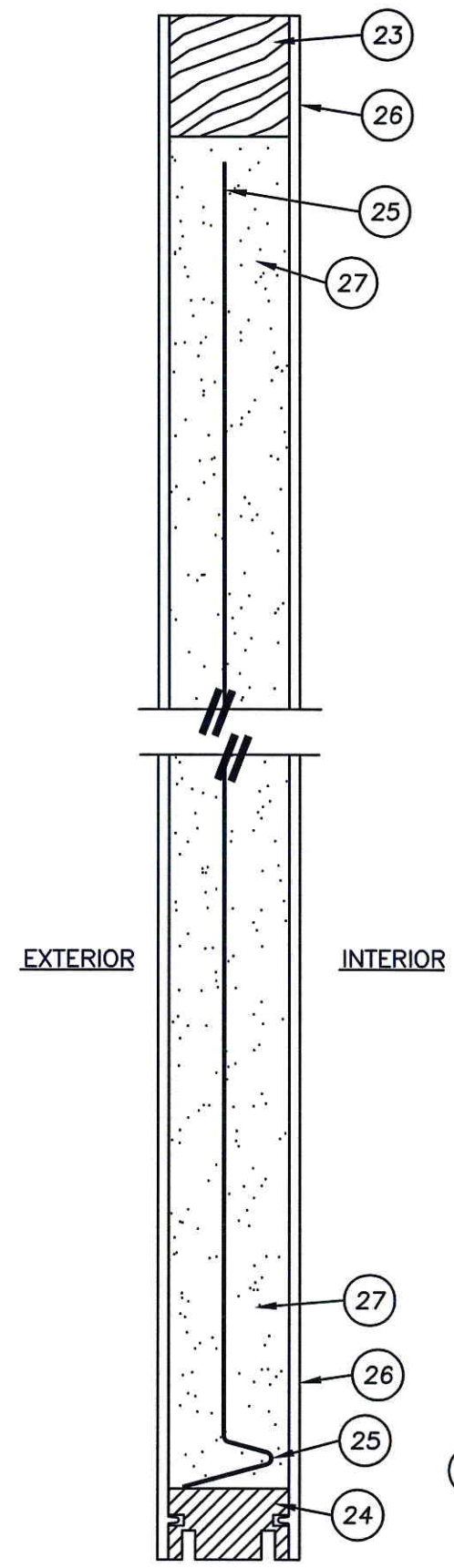
φ2" DIA. MAX.
28.86% OPEN AREA MAX.



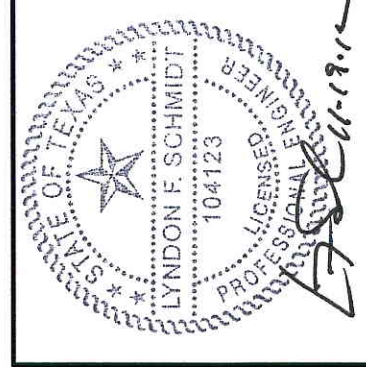
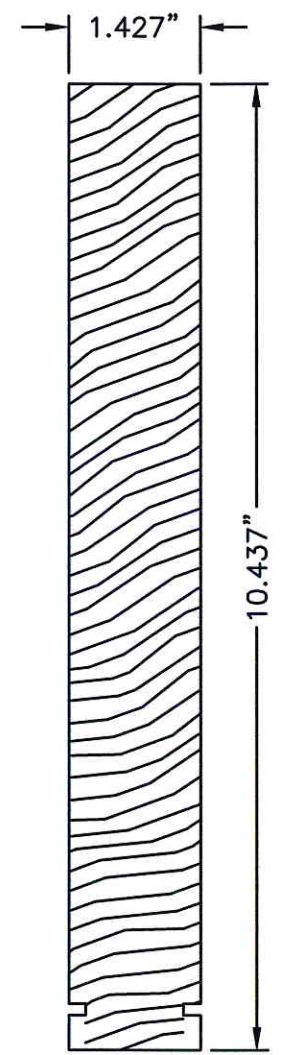
22 LOCK & HINGE STILE
CLASSIC CRAFT RUSTIC



24 BOTTOM RAIL
CLASSIC CRAFT RUSTIC



23 TOP RAIL
CLASSIC CRAFT RUSTIC

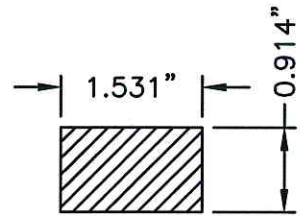
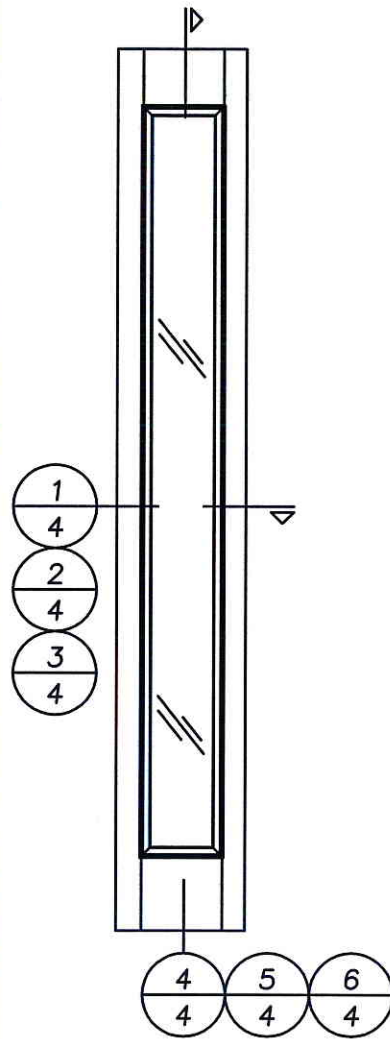


Documents Prepared By: Lyndon F. Schmidt, P.E.
TEXAS P.E. #104123
RW BUILDING CONSULTANTS, INC.
P.O. Box 230 Valrico FL 33595
Phone No.: 813.659.9197
TEXAS BOARD OF PROFESSIONAL ENGINEERS
CERTIFICATE OF REGISTRATION # F-11852

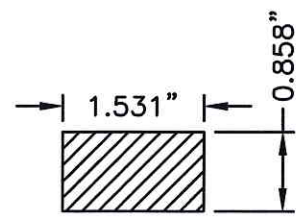
PRODUCT: SINGLE OPAQUE
FIBERGLASS DOOR W/SIDELITE
"IMPACT" INSWING / OUTSWING
PART OR ASSEMBLY:
DOOR PANEL DETAILS
(CLASSIC CRAFT RUSTIC)

| REVISIONS | |
|-----------|------|
| NO. | DATE |
| | |
| | |
| | |
| | |
| | |
| | |
| | |
| | |
| | |
| | |

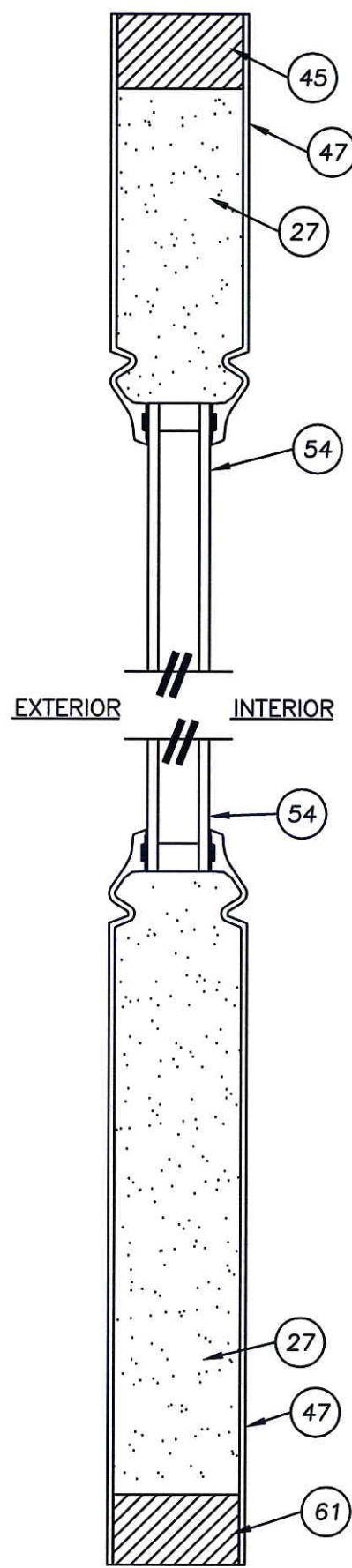
DATE: 7/16/12
SCALE: N.T.S.
DWG. BY: JK
CHK. BY: LFS
DRAWING NO.: TX-4181
SHEET 3 OF 10



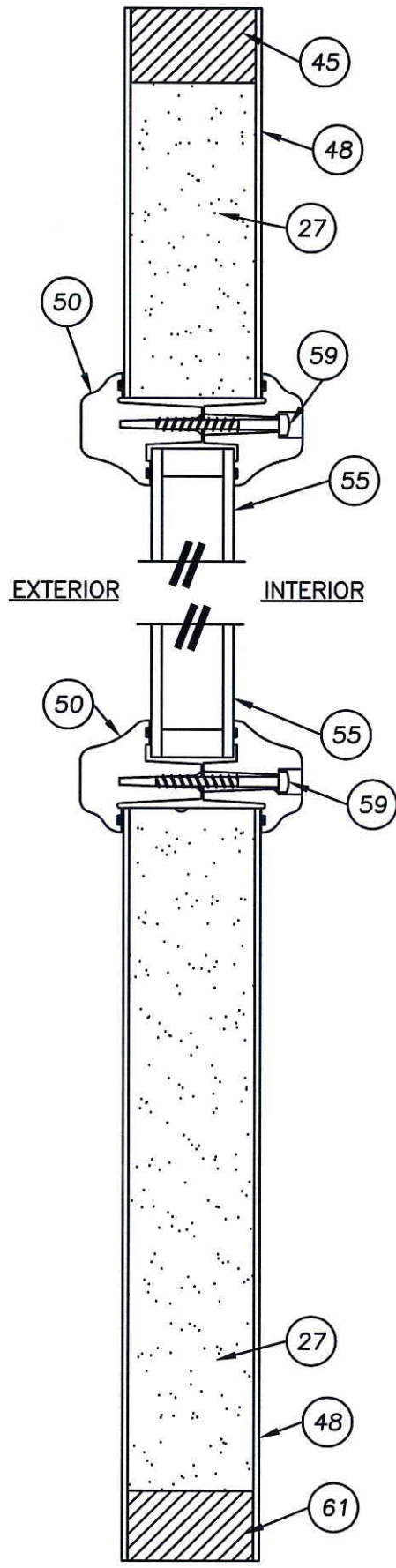
45 TOP RAIL SIDELITE



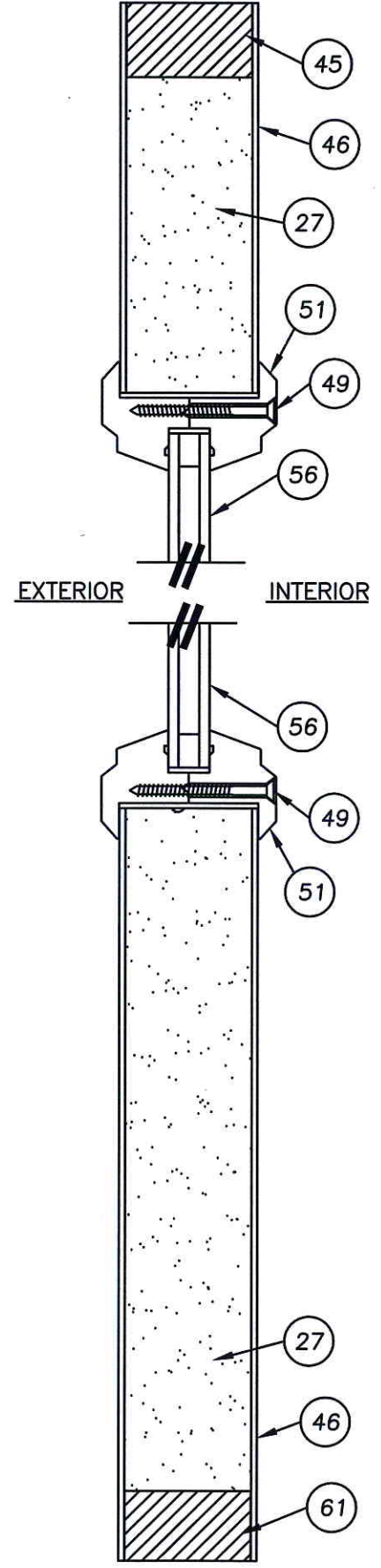
61 BOTTOM RAIL SIDELITE



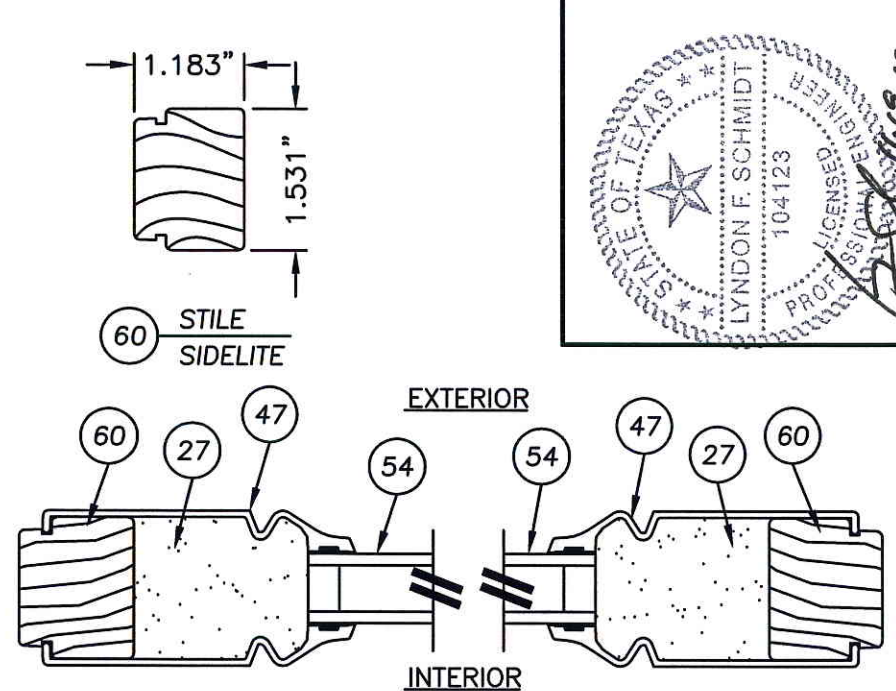
4 VERTICAL CROSS SECTION (CLASSIC CRAFT)



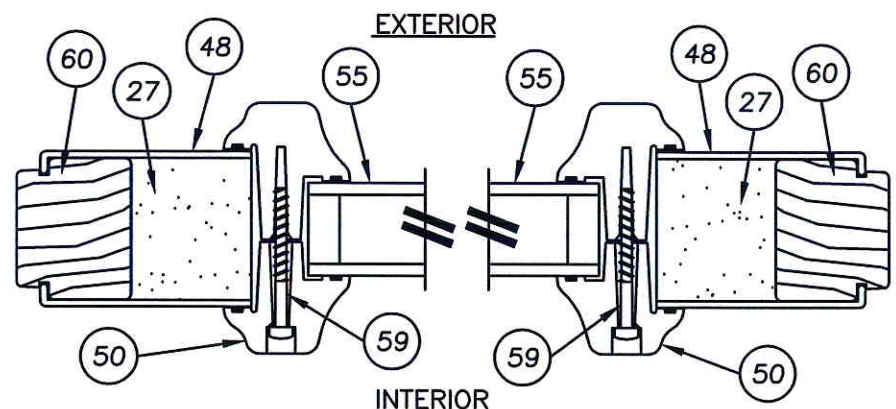
5 VERTICAL CROSS SECTION (FIBER CLASSIC)



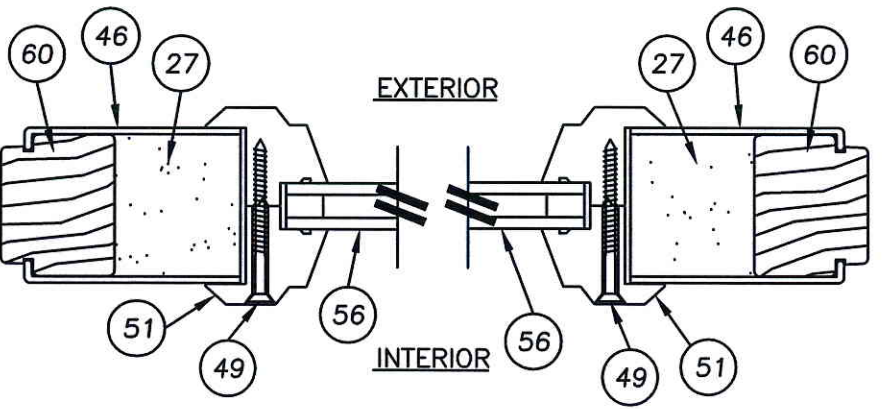
6 VERTICAL CROSS SECTION (SMOOTH STAR)



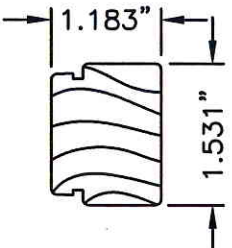
1 HORIZONTAL CROSS SECTION (CLASSIC CRAFT)



2 HORIZONTAL CROSS SECTION (FIBER CLASSIC)



3 HORIZONTAL CROSS SECTION (SMOOTH STAR)



60 STILE SIDELITE



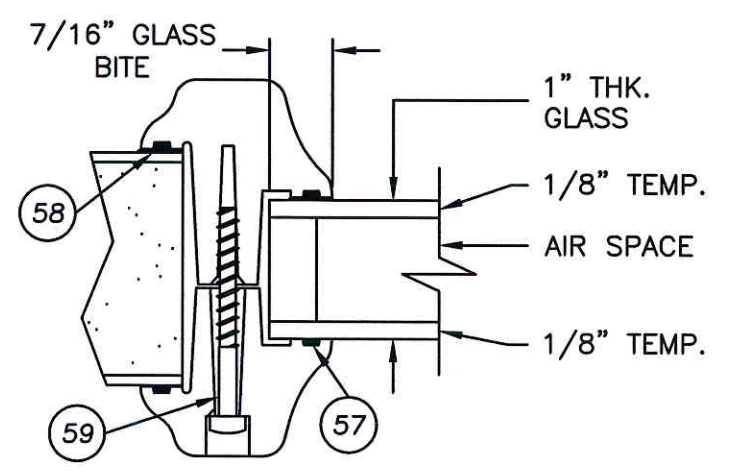
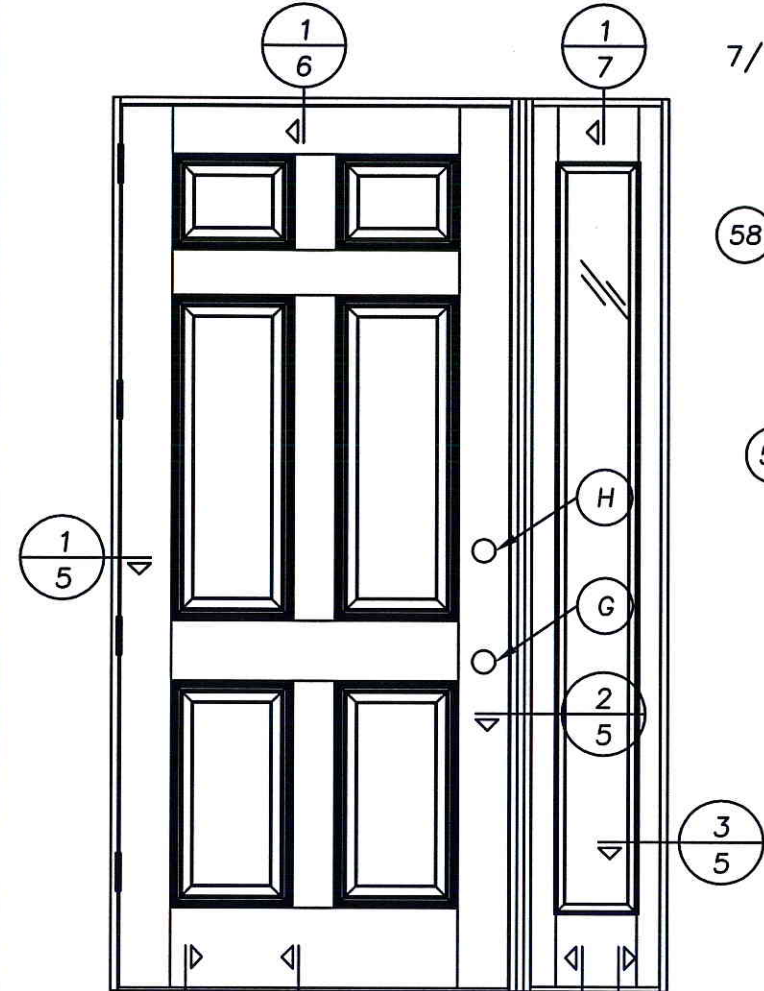
Documents Prepared By: Lyndon F. Schmidt, P.E.
 TEXAS P.E. #104123
 R.W. BUILDING CONSULTANTS, INC.
 P.O. Box 230 Valrico FL 33595
 Phone No.: 813.659.9197
 TEXAS BOARD OF PROFESSIONAL ENGINEERS
 CERTIFICATE OF REGISTRATION # F-11852

PRODUCT: SINGLE OPAQUE FIBERGLASS DOOR W/SIDELITE "IMPACT" INSWING / OUTSWING
 PART OR ASSEMBLY: SIDELITE PANEL DETAILS

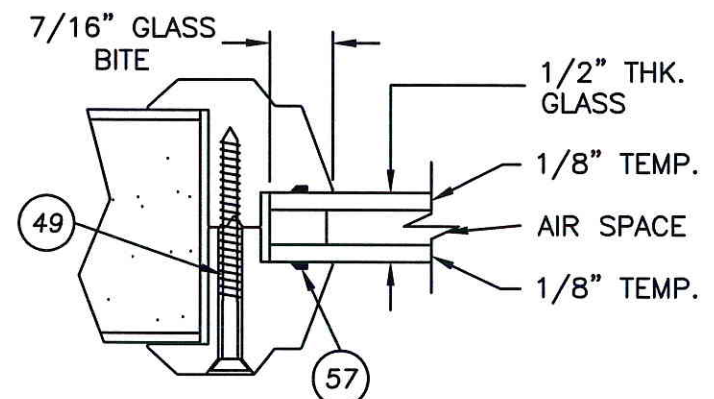
| NO. | DATE | REVISIONS | BY |
|-----|------|-----------|----|
| | | | |
| | | | |
| | | | |

DATE: 7/16/12
 SCALE: N.T.S.
 DWG. BY: JK
 CHK. BY: LFS
 DRAWING NO.: TX-4181
 SHEET 4 OF 10

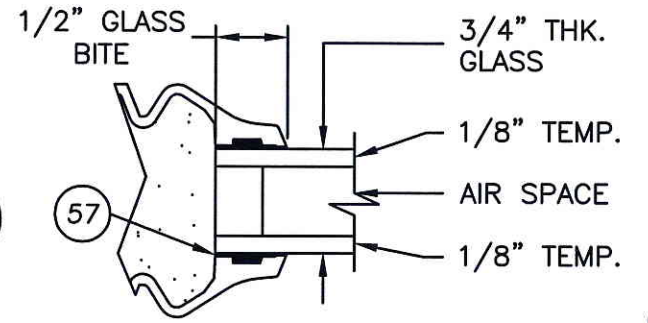
R:\A - Projects\Project Folders\Proj 1101 - 1200\pf1104\1D. RWBC Drawings\TX-4175-83.dwg, FOX5



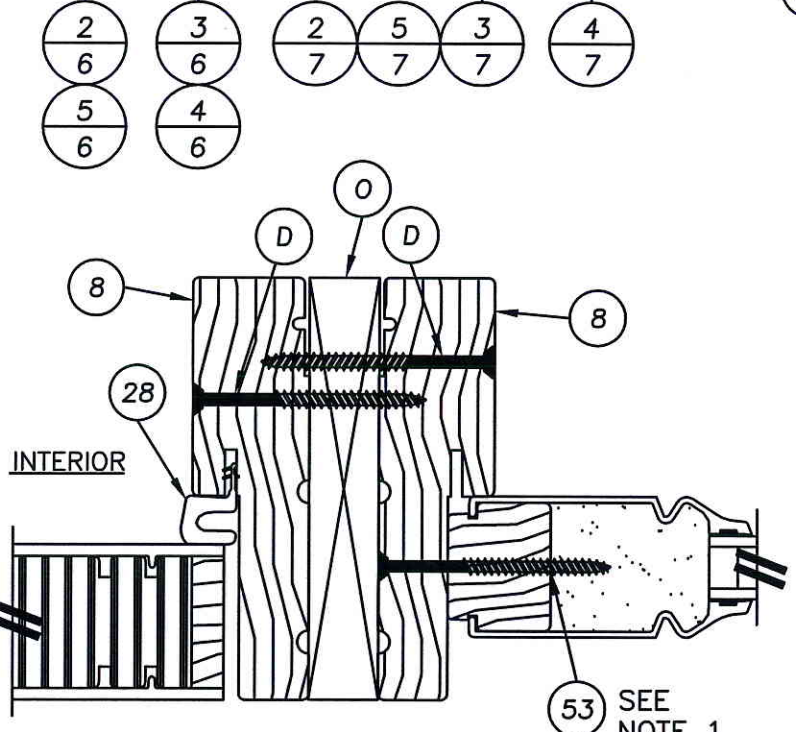
55 GLAZING DETAIL
1" INSULATED GLASS



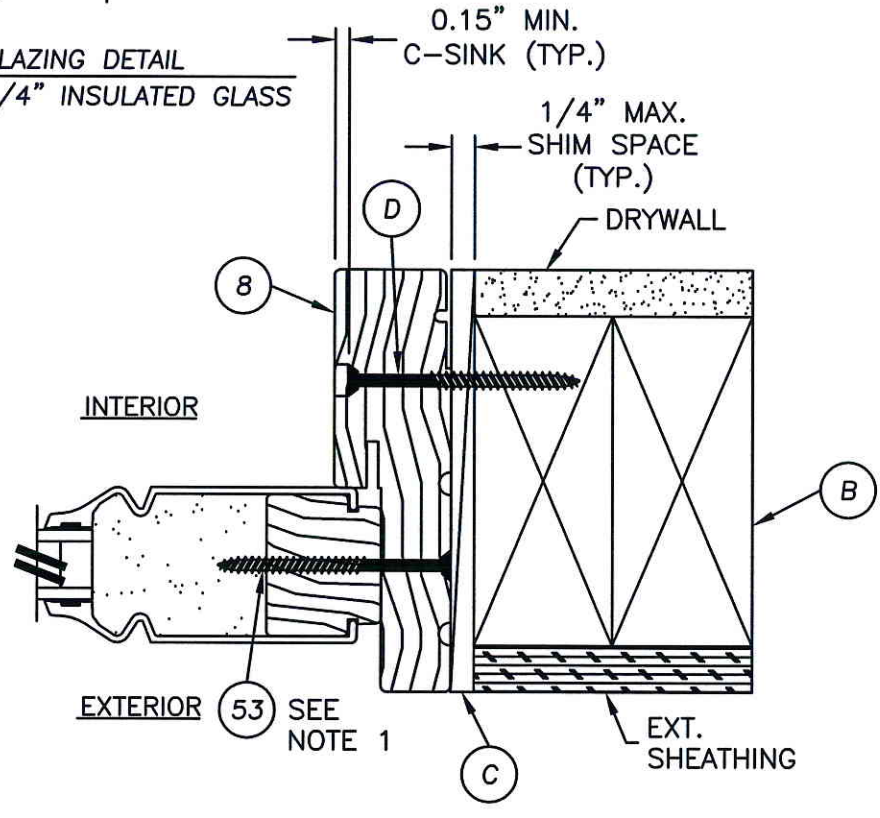
56 GLAZING DETAIL
1/2" INSULATED GLASS



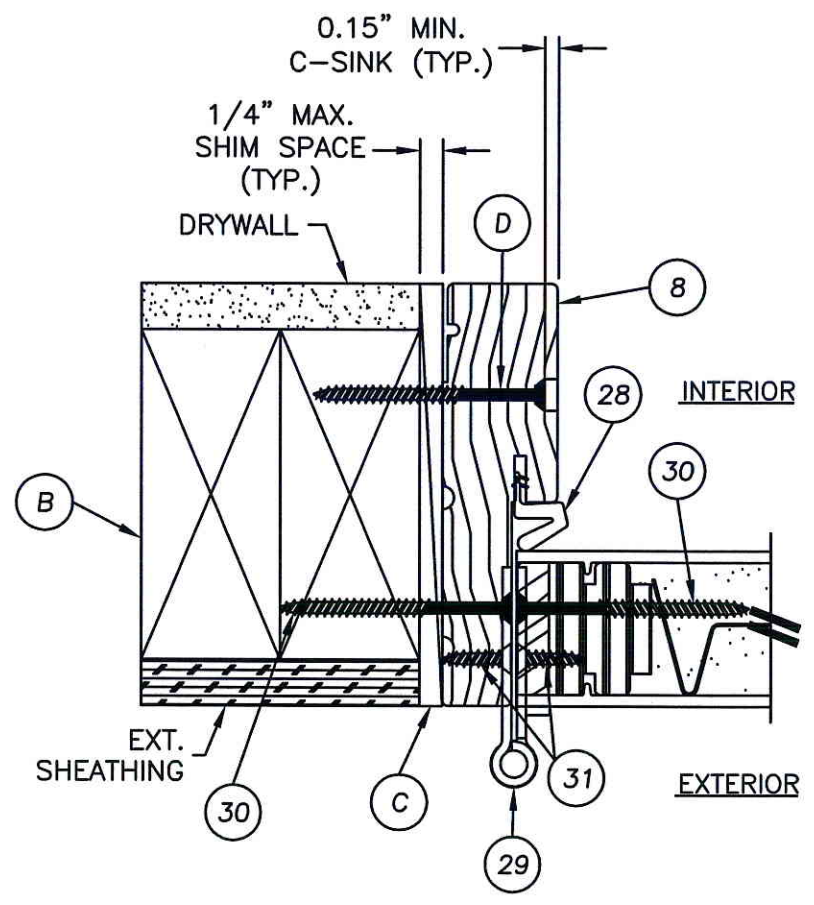
54 GLAZING DETAIL
3/4" INSULATED GLASS



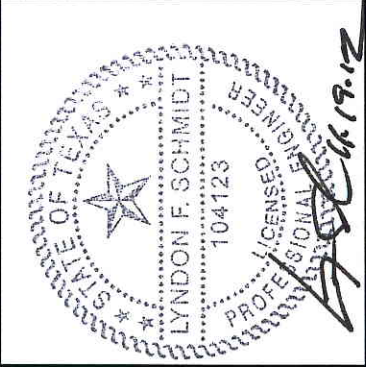
2 HORIZONTAL CROSS SECTION
5 OUTSWING SHOWN (INSWING ALSO APPROVED)
CLASSIC CRAFT PANEL SHOWN
SEE PANEL DETAILS FOR
OPTIONAL PANEL TYPES



3 HORIZONTAL CROSS SECTION
5 OUTSWING SHOWN (INSWING ALSO APPROVED)
CLASSIC CRAFT PANEL SHOWN
SEE SIDELITE PANEL DETAILS FOR
OPTIONAL PANEL TYPES



1 HORIZONTAL CROSS SECTION
5 OUTSWING SHOWN (INSWING ALSO APPROVED)
CLASSIC CRAFT PANEL SHOWN
SEE DOOR PANEL DETAILS FOR
OPTIONAL PANEL TYPES



Documents Prepared By: Lyndon F. Schmidt, P.E.
TEXAS P.E. #104123

RW BUILDING CONSULTANTS, INC.
P.O. Box 230 Valrico FL 33595
Phone No.: 813.659.9197

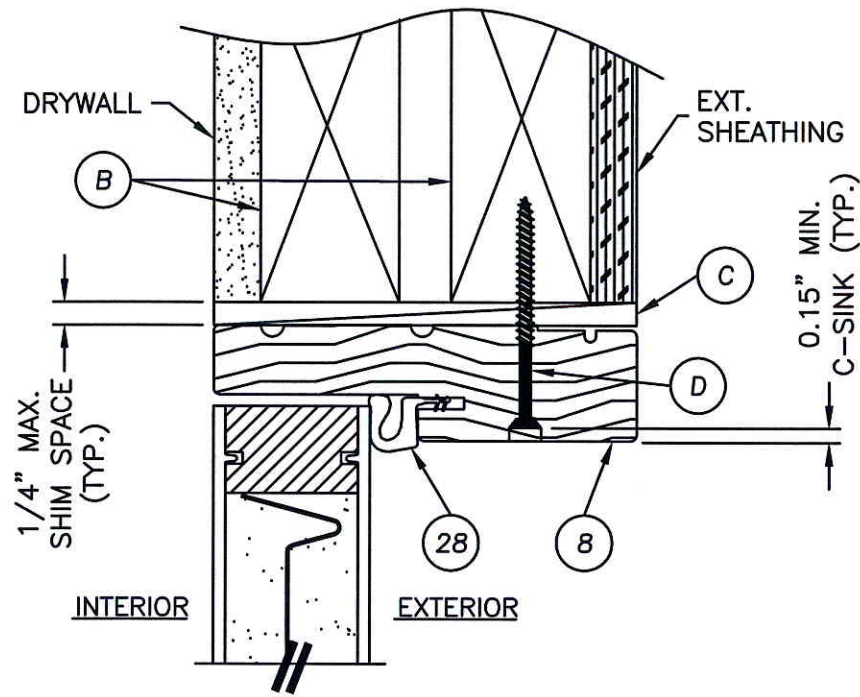
TEXAS BOARD OF PROFESSIONAL ENGINEERS
CERTIFICATE OF REGISTRATION # F-11852

PRODUCT: SINGLE OPAQUE
FIBERGLASS DOOR W/SIDELITE
"IMPACT" INSWING / OUTSWING
PART OR ASSEMBLY:
HORIZONTAL CROSS SECTIONS
& GLAZING DETAILS

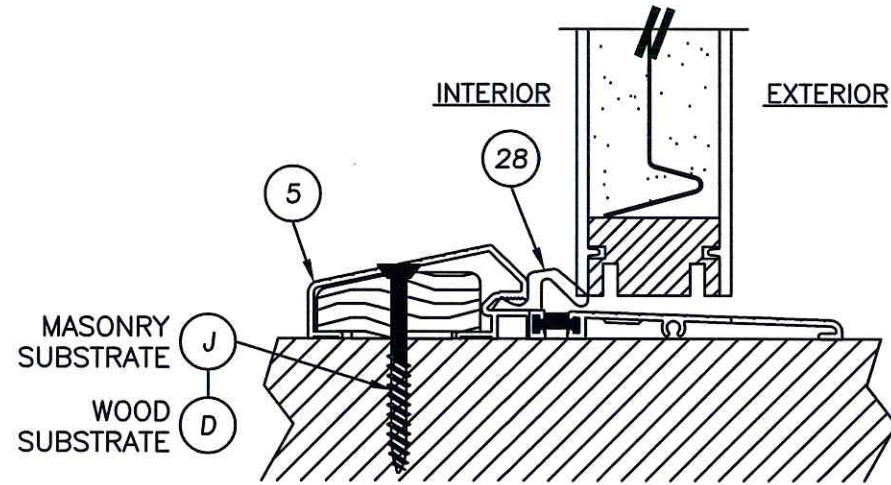
| NO. | DATE | BY | REVISIONS |
|-----|------|----|-----------|
| | | | |
| | | | |
| | | | |
| | | | |

DATE: 7/16/12
SCALE: N.T.S.
DWG. BY: JK
CHK. BY: LFS
DRAWING NO.: TX-4181
SHEET 5 OF 10

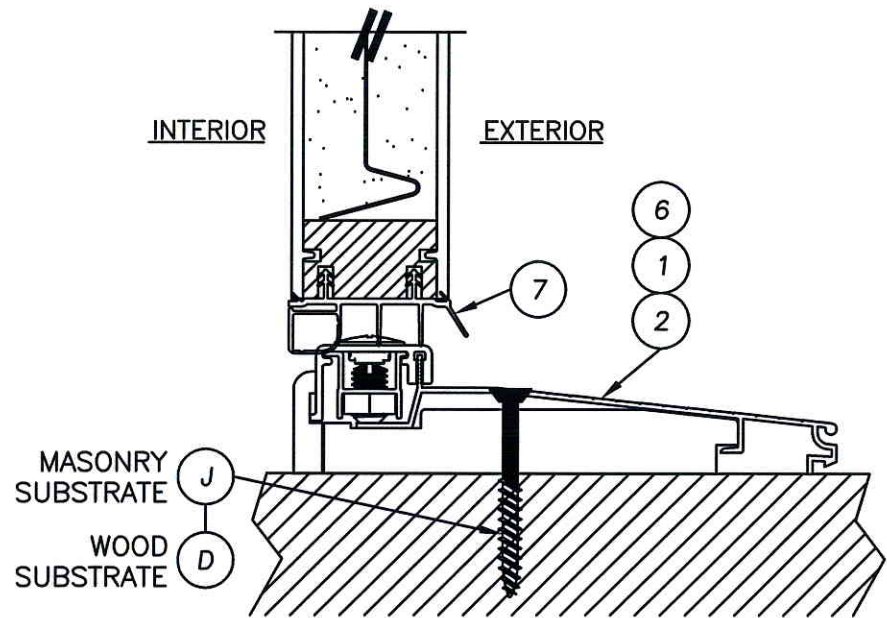
© 2012 R.W. BUILDING CONSULTANTS INC.



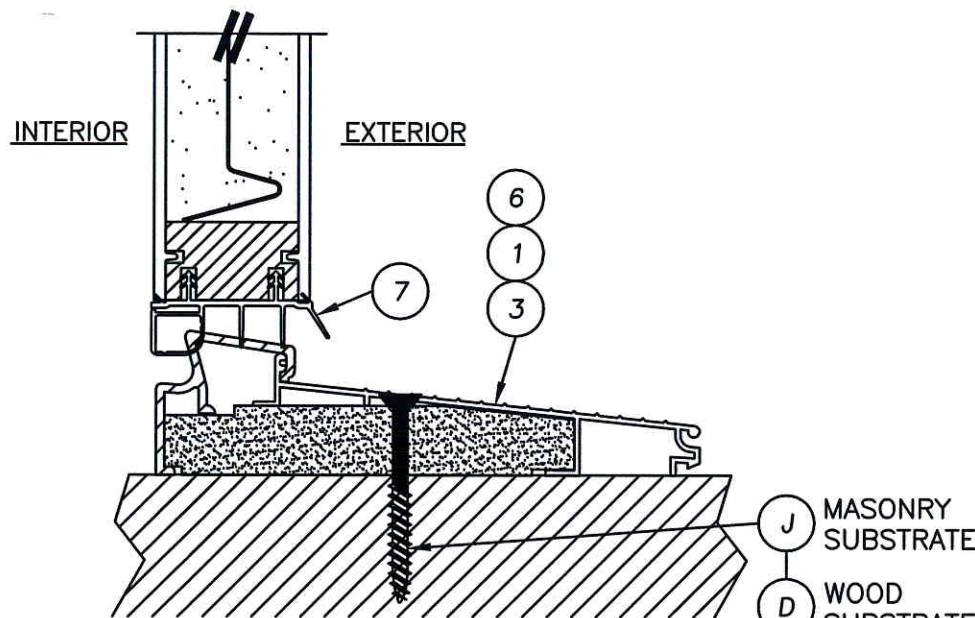
1 VERTICAL CROSS SECTION
 6 INSWING SHOWN (OUTSWING ALSO APPROVED)
 CLASSIC CRAFT PANEL SHOWN
 SEE DOOR PANEL DETAILS FOR
 OPTIONAL PANEL TYPES



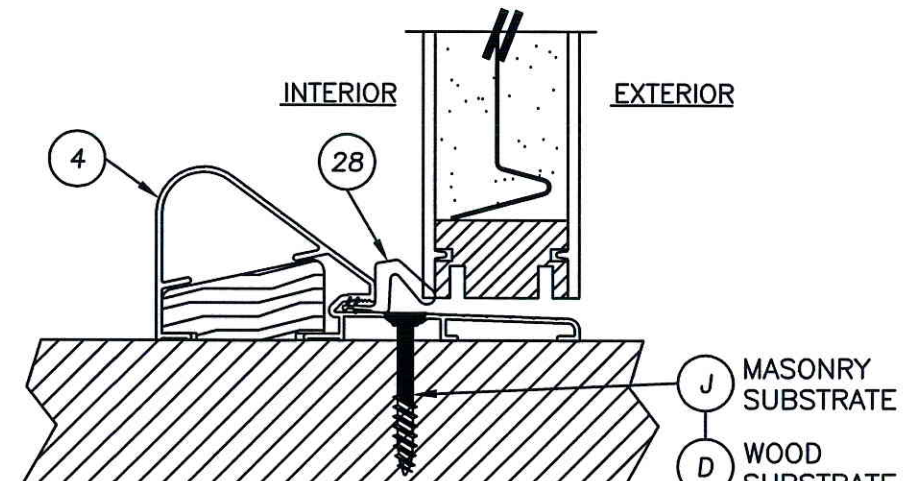
2 VERTICAL CROSS SECTION
 6 @ THRESHOLD
 CLASSIC CRAFT PANEL SHOWN
 SEE DOOR PANEL DETAILS FOR
 OPTIONAL PANEL TYPES



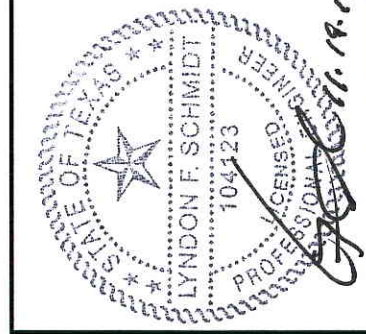
3 VERTICAL CROSS SECTION
 6 @ THRESHOLD
 CLASSIC CRAFT PANEL SHOWN
 SEE DOOR PANEL DETAILS FOR
 OPTIONAL PANEL TYPES



4 VERTICAL CROSS SECTION
 6 @ THRESHOLD
 CLASSIC CRAFT PANEL SHOWN
 SEE DOOR PANEL DETAILS FOR
 OPTIONAL PANEL TYPES



5 VERTICAL CROSS SECTION
 6 @ THRESHOLD
 CLASSIC CRAFT PANEL SHOWN
 SEE DOOR PANEL DETAILS FOR
 OPTIONAL PANEL TYPES



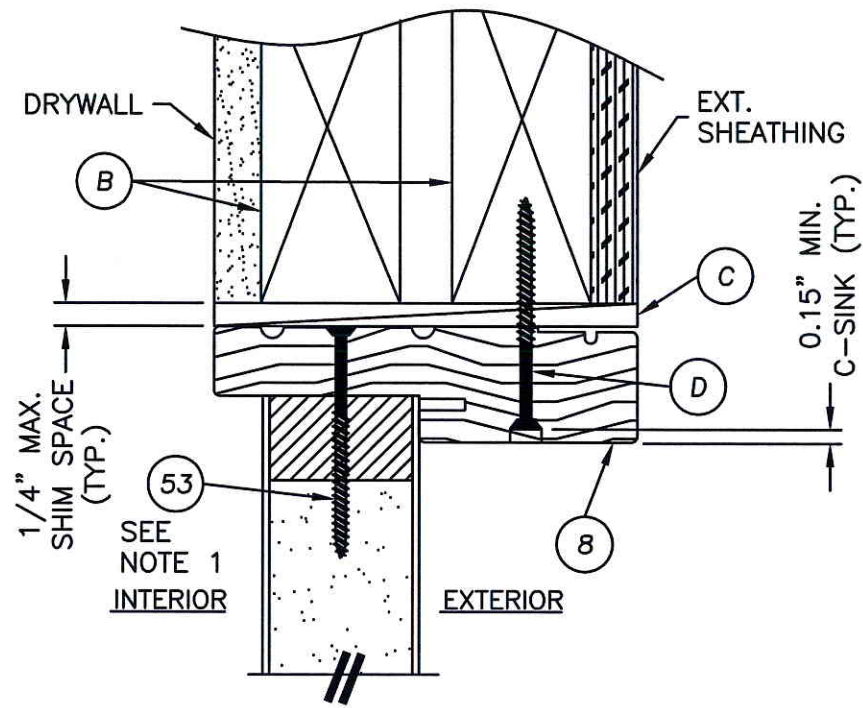
Documents Prepared By: Lyndon F. Schmidt, P.E.
 TEXAS P.E. #104123
RW BUILDING CONSULTANTS, INC.
 P.O. Box 230 Valrico FL 33595
 Phone No.: 813.659.9197
 TEXAS BOARD OF PROFESSIONAL ENGINEERS
 CERTIFICATE OF REGISTRATION # F-11852

PRODUCT: SINGLE OPAQUE
 FIBERGLASS DOOR W/SIDELITE
 "IMPACT" INSWING / OUTSWING
 PART OR ASSEMBLY:
 VERTICAL CROSS SECTIONS

| NO. | DATE | BY | REVISIONS |
|-----|------|----|-----------|
| | | | |
| | | | |
| | | | |

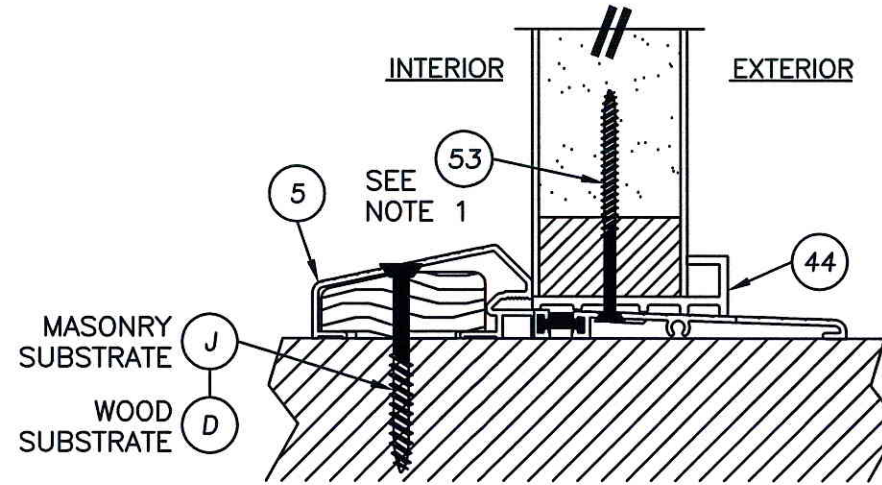
DATE: 7/16/12
 SCALE: N.T.S.
 DWG. BY: JK
 CHK. BY: LFS
 DRAWING NO.: TX-4181
 SHEET 6 OF 10

R:\A - Projects\Project Folders\Proj 1101 - 1200\pf1104\ID. RWBC Drawings\TX-4175-83.dwg, FOX7

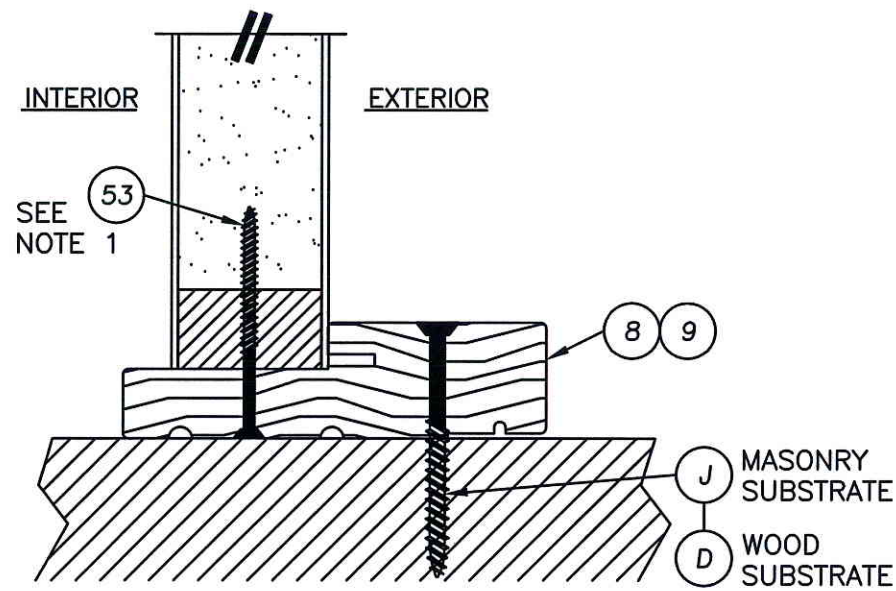


1
7 VERTICAL CROSS SECTION

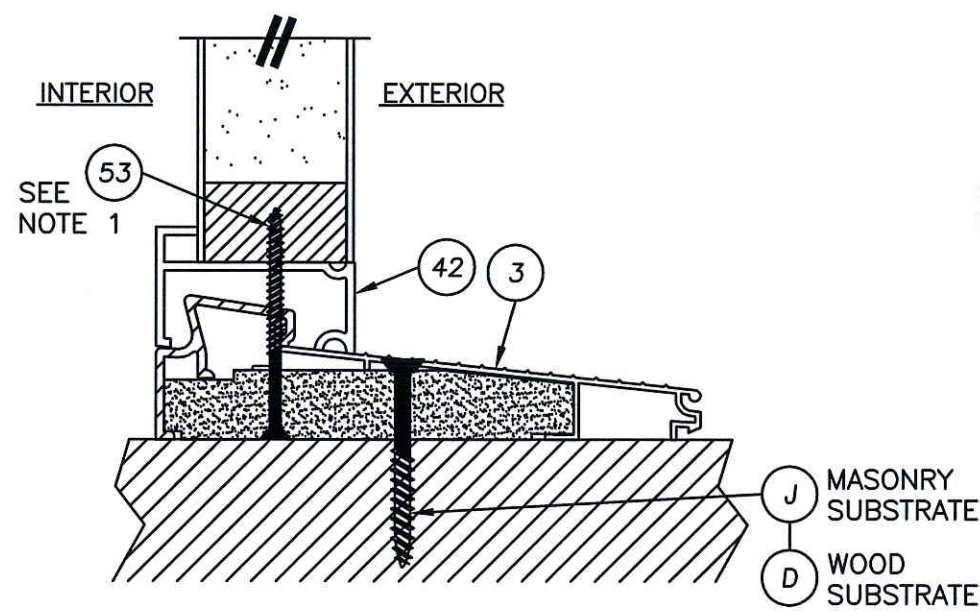
NOTE:
1. SIDELITE ASSEMBLY SCREWS LOCATED 4.25" FROM ENDS (2 TOTAL).



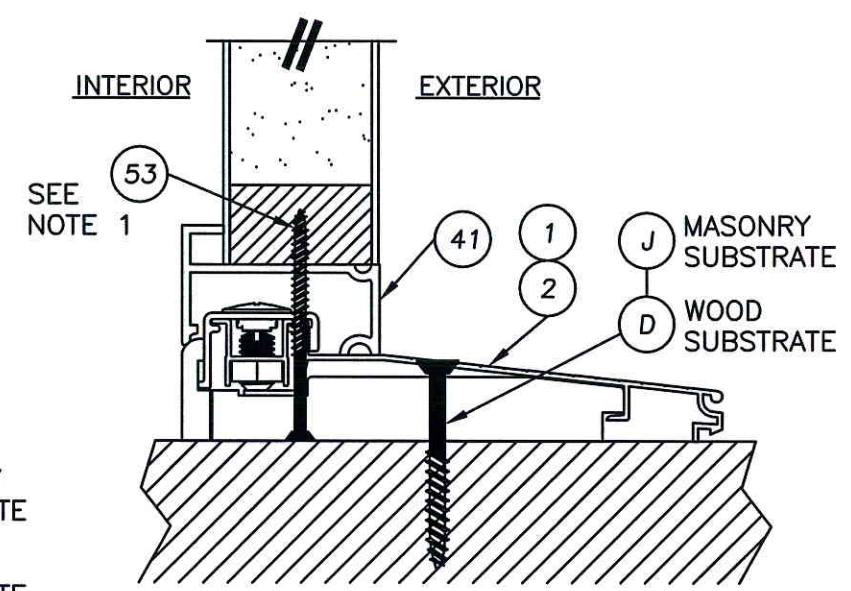
4
7 VERTICAL CROSS SECTION



3
7 VERTICAL CROSS SECTION



2
7 VERTICAL CROSS SECTION



5
7 VERTICAL CROSS SECTION



Documents Prepared By: Lyndon F. Schmidt, P.E.
TEXAS P.E. #104123

RW BUILDING CONSULTANTS, INC.
P.O. Box 230 Vairico FL 33595
Phone No.: 813.659.9197

TEXAS BOARD OF PROFESSIONAL ENGINEERS
CERTIFICATE OF REGISTRATION # F-11852

PRODUCT: SINGLE OPAQUE
FIBERGLASS DOOR W/SIDELITE
"IMPACT" INSWING / OUTSWING
PART OR ASSEMBLY:
VERTICAL CROSS SECTIONS

| NO. | DATE | BY | REVISIONS |
|-----|------|----|-----------|
| | | | |
| | | | |
| | | | |
| | | | |

DATE: 7/16/12
SCALE: N.T.S.
DWG. BY: JK
CHK. BY: LFS
DRAWING NO.: TX-4181
SHEET 7 OF 10

© 2012 R.W. BUILDING CONSULTANTS INC.

